

KitchenAid®

BRIVA™ IN-SINK DISHWASHER

(For Residential Use Only)

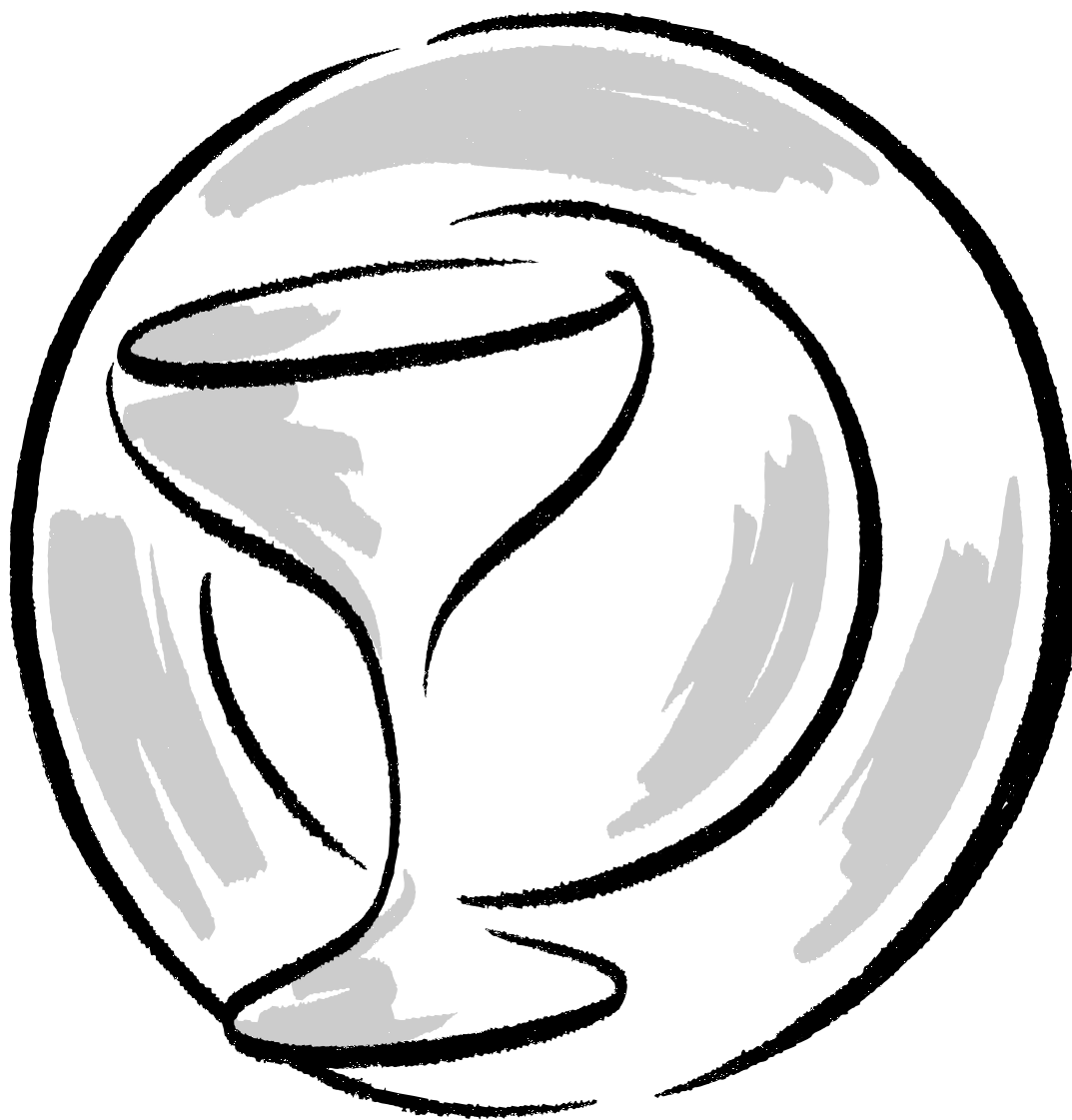
Use & Care Guide

For questions about features, operation/performance, parts accessories or service, call: **1-800-422-1230**

or visit our website at...

www.kitchenaid.com

Table of Contents 2



Model KIDS01EK
8529407

TABLE OF CONTENTS

DISHWASHER SAFETY	3
Before Using Your Dishwasher	4
PARTS AND FEATURES	5
START-UP GUIDE	6
Using Your New Dishwasher	6
Using Your New Dishwasher As a Sink	7
DISHWASHER LOADING	7
Loading Suggestions	7
Loading Rack	7
Loading Silverware Basket	9
DISHWASHER USE	9
Detergent Use	9
Rinse Aid Dispenser	10
Dishwasher Performance Tips	10
Cycle Selection Charts	11
Canceling a Cycle	11
Changing a Cycle or Setting	12
Adding Items During a Cycle	12
Option Selections	12
Status Indicators	13
BRIVA™ In-Sink Wash System.....	13
Drying System	14
WASHING SPECIAL ITEMS	14
DISHWASHER CARE	15
Cleaning.....	15
Drain Air Gap	16
Storing	16
TROUBLESHOOTING	16
ASSISTANCE OR SERVICE	18
WARRANTY	20

DISHWASHER SAFETY

Your safety and the safety of others are very important.

We have provided many important safety messages in this manual and on your appliance. Always read and obey all safety messages.



This is the safety alert symbol.

This symbol alerts you to potential hazards that can kill or hurt you and others.

All safety messages will follow the safety alert symbol and either the word "DANGER" or "WARNING." These words mean:

! DANGER

You can be killed or seriously injured if you don't immediately follow instructions.

! WARNING

You can be killed or seriously injured if you don't follow instructions.

All safety messages will tell you what the potential hazard is, tell you how to reduce the chance of injury, and tell you what can happen if the instructions are not followed.

IMPORTANT SAFETY INSTRUCTIONS

WARNING: When using the dishwasher, follow basic precautions, including the following:

- Read all instructions before using the dishwasher.
- Use the dishwasher only for its intended function.
- Use only detergents or rinse agents recommended for use in a dishwasher, and keep them out of the reach of children.
- When loading items to be washed:
 - 1) Locate sharp items so that they are not likely to damage the door seal; and
 - 2) Load sharp knives with the handles up to reduce the risk of cut-type injuries.
- Do not wash plastic items unless they are marked "dishwasher safe" or the equivalent. For plastic items not so marked, check the manufacturer's recommendations.
- Do not touch the heating element during or immediately after use.
- Do not operate the dishwasher unless all enclosure panels are properly in place.
- Do not tamper with controls.
- Do not abuse, sit on, or stand on the door, lid, or dish racks of the dishwasher.
- To reduce the risk of injury, do not allow children to play in or on the dishwasher.
- Under certain conditions, hydrogen gas may be produced in a hot water system that has not been used for two weeks or more. **HYDROGEN GAS IS EXPLOSIVE.** If the hot water system has not been used for such a period, before using the dishwasher turn on all hot water faucets and let the water flow from each for several minutes. This will release any accumulated hydrogen gas. As the gas is flammable, do not smoke or use an open flame during this time.
- Remove the door or lid to the washing compartment when removing an old dishwasher from service or discarding it.

SAVE THESE INSTRUCTIONS

Before Using Your Dishwasher

⚠ WARNING



Electrical Shock Hazard

Plug into a grounded 3 prong outlet.

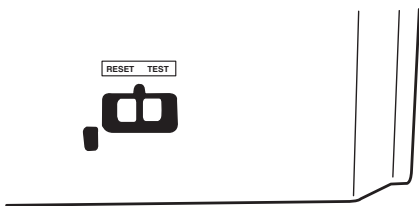
Do not remove ground prong.

Do not use an adapter.

Do not use an extension cord.

Failure to follow these instructions can result in death, fire, or electrical shock.

- Install where dishwasher is protected from the elements. Protect against freezing to avoid possible rupture of fill valve. Such ruptures are not covered by the warranty. See “Storing” in the “Dishwasher Care” section for winter storage information.
- Install and level dishwasher in a cabinet countertop that will hold the weight, and in an area suitable for its size and use.
- Remove all shipping plugs from hoses and connectors (such as the cap on the drain outlet) before installing. See Installation Instructions for complete information.
- This product is provided with a Ground Fault Circuit Interrupter (GFCI) located on the front base of the dishwasher inside the cabinet. A GFCI is designed to protect you against the dangers of line to ground electrical faults. If the appliance develops a fault of this type, the GFCI is designed to disconnect the power to the appliance. This is a built-in safety feature. The GFCI should be tested once a month.



Once a month test procedure:

1. Press TEST button. Indicator should be Off (no indicator visible in window).
2. Press RESET. Indicator should be On (indicator visible in window).

NOTE: If the GFCI fails this test, do not use the dishwasher. Call the Customer Interaction Center for service. (See “Assistance or Service” section of this manual.)

GROUNDING INSTRUCTIONS

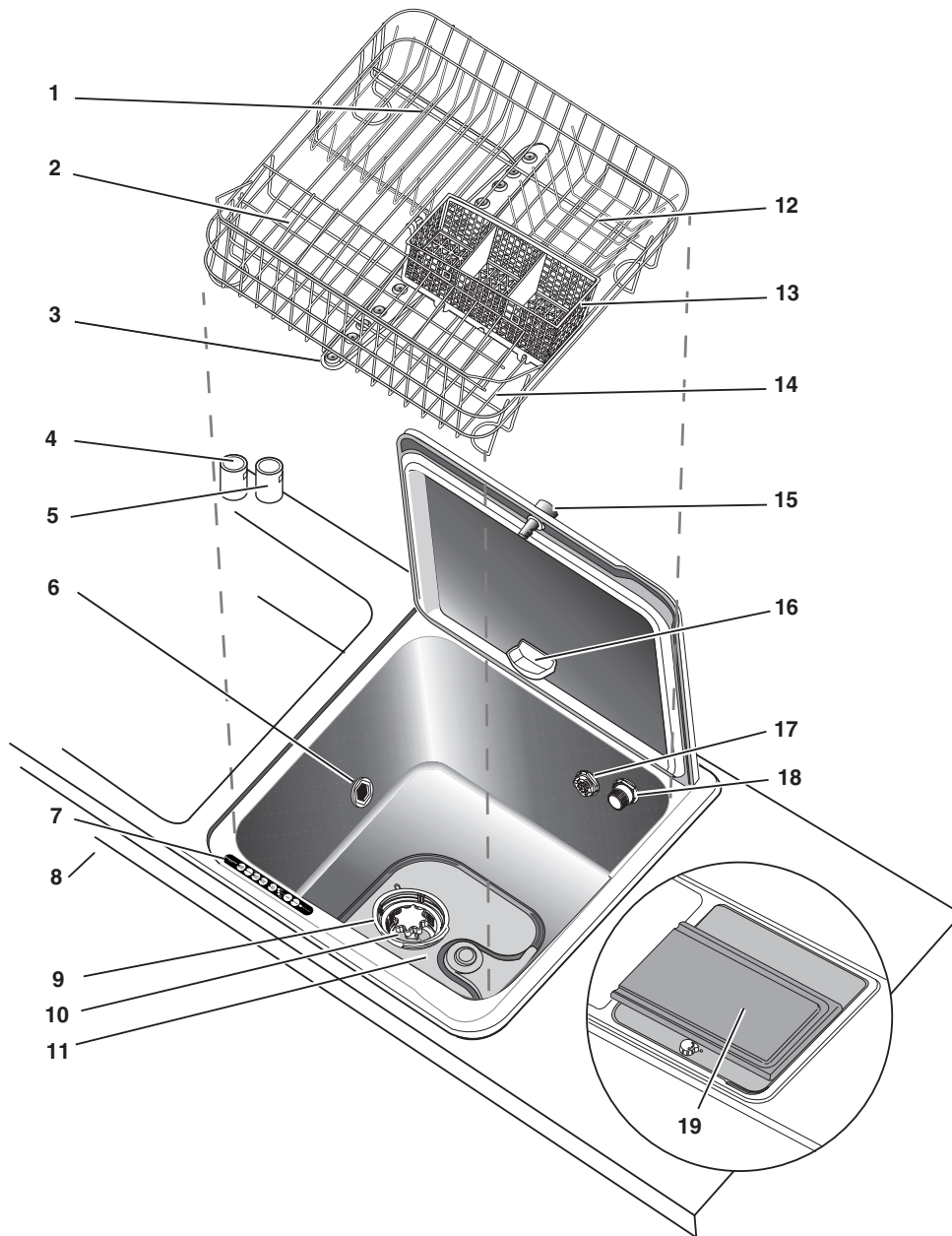
- **For a grounded, cord-connected dishwasher:**
The dishwasher must be grounded. In the event of a malfunction or breakdown, grounding will reduce the risk of electric shock by providing a path of least resistance for electric current. The dishwasher is equipped with a cord having an equipment-grounding conductor and a grounding plug. The plug must be plugged into an appropriate outlet that is installed and grounded in accordance with all local codes and ordinances.

WARNING: Improper connection of the equipment-grounding conductor can result in a risk of electric shock. Check with a qualified electrician or service representative if you are in doubt whether the dishwasher is properly grounded. Do not modify the plug provided with the dishwasher; if it will not fit the outlet, have a proper outlet installed by a qualified electrician.

- **For a permanently connected dishwasher:**
The dishwasher must be connected to a grounded metal, permanent wiring system, or an equipment-grounding conductor must be run with the circuit conductors and connected to the equipment-grounding terminal or lead on the dishwasher.

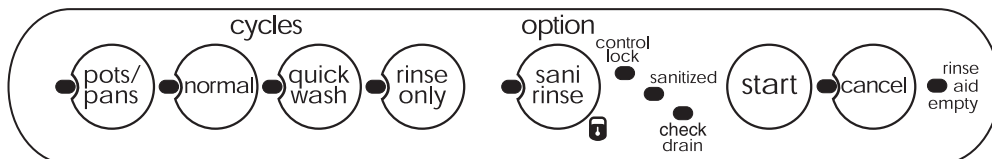
SAVE THESE INSTRUCTIONS

PARTS AND FEATURES



- | | | |
|------------------------|---|-------------------------|
| 1. Large rack insert | 7. Control panel | 14. Small rack insert |
| 2. Fold-down cup shelf | 8. Model and serial number label [on the front of the sink under the counter] | 15. Lid knob latch |
| 3. Spray arm | 9. Drain screen basket | 16. Detergent cup |
| 4. Drain air gap | 10. Drain stopper | 17. Rinse aid dispenser |
| 5. Fill air gap | 11. Drain fine screen | 18. Rinse aid fill |
| 6. Water inlet opening | 12. Medium rack insert | 19. Wood cutting board |
| | 13. Silverware basket | |

Control Panel



START-UP GUIDE

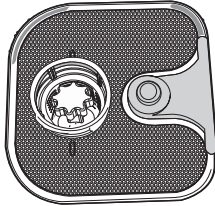
Before using your dishwasher, remove all packaging materials. Read this entire Use and Care Guide. You will find important safety information and useful operating tips.

Using Your New Dishwasher

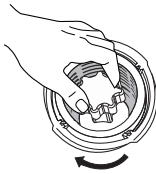
1. Rinse aid is essential for good drying. Be sure to fill the dispenser before you use your new dishwasher. Each filling will last about 1 to 3 months depending on your usage. (See "Rinse Aid Dispenser.")



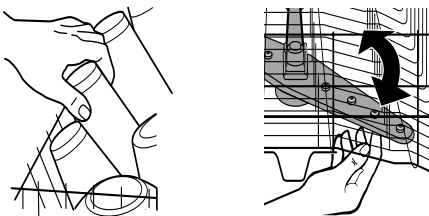
2. Scrape large food soil and hard items (toothpicks or bones) from dishes.
3. Check and clean drain assembly screens. (See "Cleaning.")



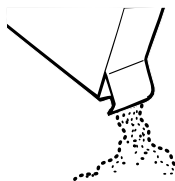
4. Insert the drain stopper and turn clockwise one-quarter turn to close.



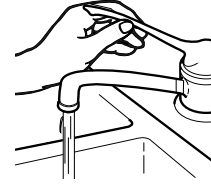
5. Properly load the dishwasher. (See "Dishwasher Loading.") Load dishes with space in between so water will reach the soiled surfaces. Make sure nothing prevents the spray arm(s) from spinning freely.



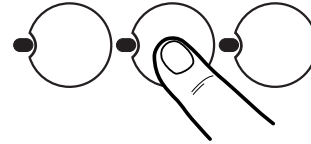
6. Add detergent and check the rinse aid dispenser. Add rinse aid if needed. (See "Dishwasher Use.")



7. If you do not have the hot water tank accessory, run hot water at the sink until the water is hot. (See "Dishwasher Performance Tips.") Turn off water.



8. Press the desired cycle and option selections on the top of the dishwasher opening. Or press Start pad to repeat the same cycle and options as the previous cycle. (See "Dishwasher Use.")

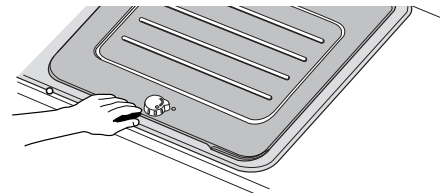


9. Press the Start pad on the top of the dishwasher opening.



The lights on the control panel will flash once.

10. Push lid firmly closed. Turn lid knob to latch.



If the lid is opened during the cycle, the cycle will stop. Close the lid firmly and the cycle will continue.

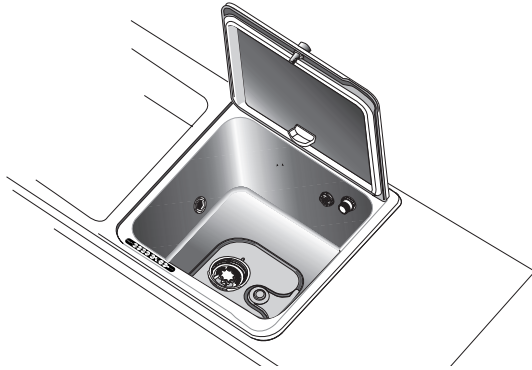
NOTE: If the dishwasher senses the drain stopper is not closed properly, selected cycle is cancelled. Lid pops open and Check Drain indicator is lit. Insert drain stopper again and seal. Start cycle again.

11. The lid opens automatically at the end of the cycle.

NOTE: Do not place anything on the dishwasher lid when running a cycle.

Using Your New Dishwasher As a Sink

When you need more sink area, remove the rack and spray arm completely.



To open drain

1. Turn the drain stopper one-quarter turn counterclockwise and lift to allow water to drain.

To close drain

1. Insert drain stopper so it aligns and drops down to seal against the drain.
2. Turn clockwise one-quarter turn to lock it into place.

NOTE: Do not completely fill the dishwasher when using it as a sink. Make sure the sink is completely drained before using it again as a dishwasher.

DISHWASHER LOADING

Loading Suggestions

- Remove leftover food, bones, toothpicks and other hard items from the dishes. To conserve water, energy and save time it is not necessary to rinse dishes before putting them into the dishwasher.
- It is important for the water spray to reach all soiled surfaces.
- Load dishes so they are not stacked or overlapping if possible. For best drying, water must be able to drain from all surfaces.
- Load heavy pots and pans carefully. Heavy items can dent the stainless steel interior if they are dropped or bumped.
- Make sure pot lids and handles, etc., do not interfere with the spray arm rotation.
- Conserve water, energy and save time over hand rinsing by running a rinse cycle to keep dishes moist if you do not plan to wash them soon. Foods such as eggs, rice, pasta, spinach, and cooked cereals may be hard to remove if they are left to dry over a period of time.

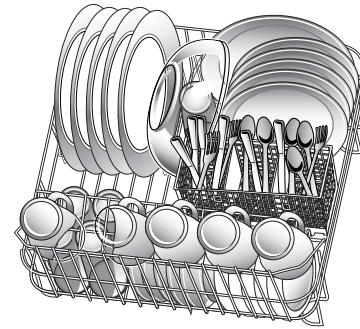
Quiet operating tips

To avoid thumping/clattering noises during operation:

- Make sure lightweight load items are secured in the rack.
- Make sure pot lids and handles, etc., do not touch interior walls or interfere with the rotation of the spray arm.
- Load dishes so they do not touch one another.

Loading Rack

The rack is designed for cups, glasses, plates, pans, casseroles, and utensils. Many items, up to 11 in. (27.94 cm), fit in the rack. (See recommended loading patterns shown.)



5 place setting

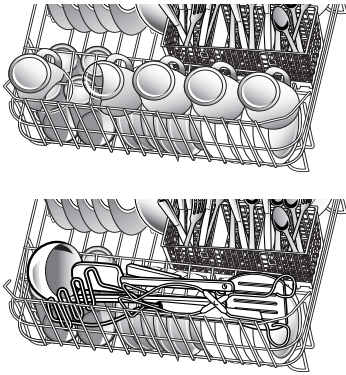


Mixed Load

- Place items so open ends face down for cleaning and draining.
- China, crystal, and other delicate items must not touch each other during dishwasher operation. Damage may occur.
- Load small items in the rack only if they are secured in place.
- Load plastic items so the force of the spray does not move them during the cycle. Only plastic items marked "dishwasher safe" are recommended.
- To avoid chipping, do not let stemware touch other items.
- Small bowls, pans, and other utensils can be placed in the rack. Load bowls in the center section for best stability.
- Load plates, soup bowls, etc., between tines.
- Overlap the edges of plates for large loads.
- Load soup, cereal, and serving bowls in the rack in a variety of ways depending upon their size and shape. Load bowls securely between the rows of tines. Do not nest bowls because the spray will not reach all surfaces.
- Load cake pans and other large items at the sides and front. Loading such items in back can keep the water spray from reaching the Rinse Aid dispenser.
- Secure heavily soiled cookware face down in the rack.
- Make sure pot handles and other items do not stop rotation of the spray arm. The spray arm must move freely.
- Do not load items between the rack and the left side of the dishwasher tub because they might block the water inlet opening.

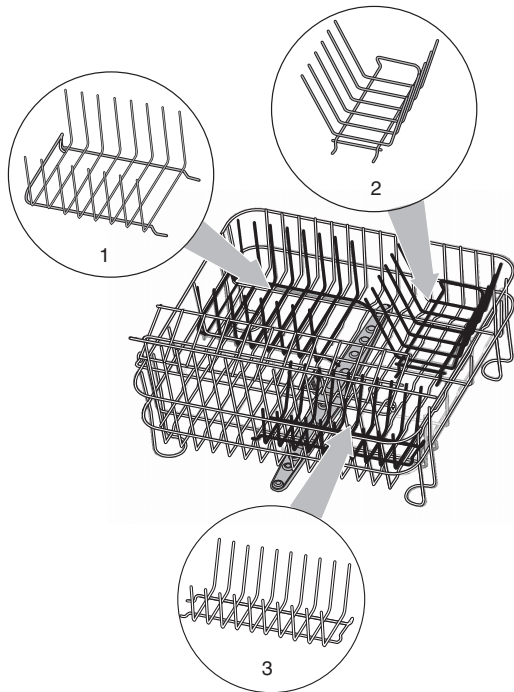
Fold-Down Cup Shelf

Fold down the cup shelf on the rack front to hold additional cups, stemware or long items such as utensils and spatulas. Fold up when you need room for larger items in the main rack.



Removable Rack Inserts

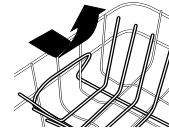
The large, medium and small removable rack inserts (see illustration below) allow you to adjust the rack for the type of load you are washing. You can remove or move one or more of the inserts to customize the rack for a particular load. This is useful when washing a variety of dishes, pots and pans, or roasters.



1. Large rack insert
2. Medium rack insert
3. Small rack insert

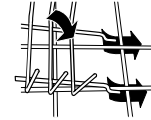
To remove insert

Lift up on insert handle and lift insert out of rack.



To install insert

Place the insert end legs under the rack cross wire.

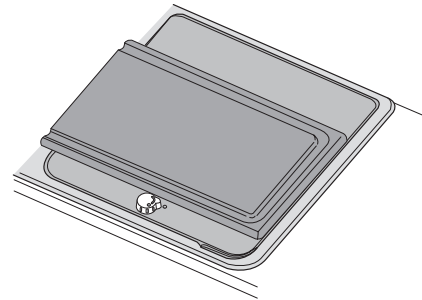


Gently push down until handle fits against outer rack edge.



Extra-large wood cutting board

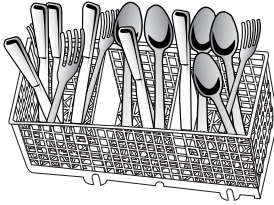
The movable cutting board allows you to decide the best location for food preparation. Use the cutting board on the dishwasher closed lid or any other location you choose.



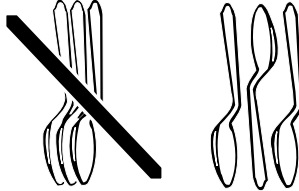
NOTE: Remove the cutting board before running a cycle. Leaving the cutting board on the lid can keep the lid from opening at the end of the cycle, reducing drying performance. See "Cleaning" for care instructions.

Loading Silverware Basket

Load the silverware basket while it is in the rack or take the basket out for loading on a counter or table.



Mix items in each section of the basket with some pointing up and some down to avoid nesting. Spray cannot reach nested items.



IMPORTANT: Always load sharp items (knives, skewers, etc.) pointing down.

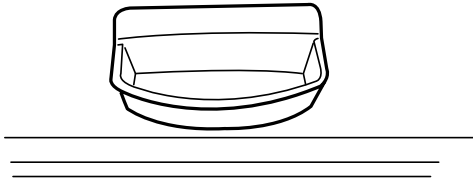
NOTES:

- Do not load silver or silver-plated silverware with stainless steel. These metals can be damaged by contact with each other during washing.
- Some foods (such as salt, vinegar, milk products, fruit juices, etc.) can pit or corrode silverware. Run a rinse cycle if you do not have a full load to wash immediately.

DISHWASHER USE

Detergent Use

The detergent cup, located on the inside of the dishwasher lid, empties detergent into the dishwasher when you close the lid.



- Use automatic dishwashing detergent only. Other detergents can produce excessive suds that can overflow out of the dishwasher and reduce washing performance.
- Add detergent just before starting a cycle.
- Store tightly closed detergent in a cool, dry place. Using fresh, automatic dishwasher detergent results in better cleaning.

NOTE: Do not use detergent with a rinse cycle.

How much detergent to use

- The amount of detergent to use depends on the hardness of your water and the type of detergent. If you use too little, dishes won't be clean. If you use too much in soft water, glassware will etch.
- Water hardness can change over a period of time. Find out your water's hardness by asking your local water department, water softener company, or county extension agent.
- You can order a water hardness test strip. In the U.S.A., call the Customer Interaction Center and ask for Part Number 4171690.
- Different brands of dishwasher detergent have different amounts of phosphorus for softening water. If you have hard water and use a detergent with a phosphorous content of less than 8.7%, you might need to use more detergent, or use a detergent with a phosphorous content higher than 8.7%.

Water Hardness

Amount of Detergent

Soft to Medium Hard Water

0 to 6 grains per gallon

For normally-soiled loads



- Add 2 tsp or 10 g

For heavily-soiled loads



- Add 1 Tbsp or 15 g

Medium to Hard Water

7 to 12 grains per gallon

For normally and heavily-soiled loads



- Add 1 Tbsp or 15 g

Very Hard Water

13 grains per gallon and above

For normally and heavily-soiled loads



- Add 1 Tbsp or 15 g

NOTE: Fill amounts shown are for standard powdered detergent. Amounts may vary if you use liquid or concentrated powdered detergent. Follow instructions on the package when using liquid dishwasher detergent or concentrated powdered detergent.

Rinse Aid Dispenser

Rinse aids prevent water from forming droplets that can dry as spots or streaks. They also improve drying by allowing water to drain off of the dishes during the final rinse by releasing a small amount of the rinse aid into the rinse water. Your dishwasher is designed to use a liquid rinse aid. Do not use a solid or bar-type.

Filling the dispenser

The rinse aid dispenser holds 3.4 oz (100 mL) of rinse aid. Under normal conditions, this will last for about 3 months. You do not have to wait until the dispenser is empty to refill it. Try to keep it full, but be careful not to overfill it.

1. Make sure the dishwasher lid is fully open. Locate the rinse aid fill on the right-hand side of the dishwasher back wall.

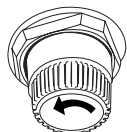


Rinse aid dispenser



Rinse aid fill

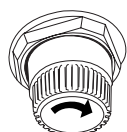
2. Open the rinse aid fill by unscrewing the cap.



3. Add rinse aid until container is full.



4. Clean up any spilled rinse aid with a damp cloth.
5. Replace the cap and tighten.



Rinse Aid Empty indicator

When the Rinse Aid Empty indicator is lit on the control panel, you need to refill the rinse aid.



Dishwasher Performance Tips

Hot water dissolves and activates the dishwashing detergent. Hot water also dissolves grease on dishes and helps glasses dry spot-free. For best dishwashing results, water should be 120°F (49°C) as it enters the dishwasher. Loads may not wash as well if the water temperature is too low. Water that is too hot can make some soils harder to remove and cause certain detergent ingredients not to function.

- If you have the hot water tank accessory installed, you can significantly reduce the cycle times by using the high setting.
- If you do not have a hot water tank accessory installed, and if your water heater is located far from the dishwasher, it may be necessary to follow these steps:
 1. Run hot water at the faucet closest to your dishwasher for at least 1 minute.
 2. Place a candy or meat thermometer in a glass measuring cup.



3. Check the temperature on the thermometer as the water is running into the cup.
 - To save water, energy and time, do not rinse dishes before putting them into the dishwasher.
 - Choose the cycle that describes the most difficult soil on your dishload.
 - Do not worry about mixed loads. Any item that is dishwasher safe can be washed using any cycle.
 - During the summer, run your dishwasher at night. This reduces daytime heat buildup in the kitchen.
 - Use a rinse aid to improve drying.
 - Use cycles or options that add extra heat to the wash or rinse portion of the cycle for better performance.
 - Run your dishwasher with full loads. Run a rinse cycle after meals until the dishwasher is full.
 - If your home is equipped with a water softener, you may want to avoid starting the dishwasher during the regeneration of the softener, as this may contribute to poor wash performance.

Cycle Selection Charts

Select the wash cycle and option desired or press the Start pad to repeat the same cycle and option as the previous cycle.


NOTE: If the last cycle you completed was a rinse cycle, the dishwasher will run the last full wash cycle and option that you selected when you press the Start pad.


A "●" shows what steps are in each cycle.


Temperatures indicate where extra heat is added.


Water usage is shown in U.S. gallons/liters.

Cycle time includes dry time. An asterisk (*) by the cycle time indicates the cycle time will be longer depending on the temperature of the water entering the dishwasher. The cooler the water, the longer the cycle time.

 Use this cycle for heavily-soiled pots, pans, casseroles, and regular tableware.							
Main Wash	Rinse	Purge†	Rinse	Final Heated Rinse	Dry	Time (min)	Water Usage (gal/L)
● 145°F (61°C)	●	●	●	● 145°F (61°C)	●	49*	4.1/ 15.7

 Use this cycle for loads with normal amounts of food soil. (The energy-usage label is based on this cycle.)							
Main Wash	Rinse	Purge†	Rinse	Final Heated Rinse	Dry	Time (min)	Water Usage (gal/L)
● 145°F (61°C)	●	●	●	● 145°F (61°C)	●	37*	4.1/ 15.7

 Use this cycle for light loads, light soil or glassware.					
Main Wash	Rinse	Final Heated Rinse	Dry	Time (min)	Water Usage (gal/L)
● 145°F (61°C)	●	● 145°F (61°C)	●	21*	2.5/9.5

 Use this rinse cycle for rinsing dishes, glasses, and silverware that will not be washed right away. Do not use detergent with this cycle.					
Main Wash	Rinse	Final Heated Rinse	Dry	Time (min)	Water Usage (gal/L)
	●			3	0.9/3.5

† A small amount of water is run through the pump to remove soil particles.

Canceling a Cycle

Anytime during a cycle, open the lid. Then press Cancel and close the lid.



Cancel glows. The dishwasher starts a drain. Let the dishwasher drain completely. If the dishwasher does not need draining, the light will turn off. Select a new cycle.

To stop the drain

You can press Cancel again to stop the drain immediately. Remember to drain the dishwasher before starting a new cycle.

To clear the indicators

Press Cancel before starting the dishwasher to clear all options and cycles.

Changing a Cycle or Setting

During the first fill of a cycle

1. Open the lid.
2. Press a new cycle and/or options.
3. Check the detergent. Dishwasher must contain the proper amount for the new cycle.
4. Close and latch the lid. The dishwasher resumes the new cycle and/or option after a 5-second pause.

After the first fill of a cycle

1. Open the lid.
2. Press the Cancel pad.



3. Close the lid. Your dishwasher starts a drain. Let the dishwasher drain completely.
4. Open the lid.
5. Select a new cycle and/or options.
6. Check the detergent. Dishwasher must contain the proper amount for the new cycle.
7. Press the Start pad.
8. Close and latch the lid.

Adding Items During a Cycle

You can add an item anytime before the main wash starts. Open the lid and check the detergent amount. If the detergent is still visible, you can add items.

To add items

1. Turn the knob latch to stop the cycle. Wait for the spraying action to stop before opening the lid completely.
2. Open the lid. If the detergent is still visible in the wash water, you may add the item.
3. Close the lid firmly and turn knob to latch. The dishwasher resumes the cycle after about a 5-second pause.

Option Selections

You can customize your cycles by pressing the SANI RINSE™ option. If you change your mind, press the option again to turn the option off.

You can change an option anytime before the selected option begins.

Press the Start pad to repeat the same cycle and option as the previous wash cycle.

NOTE: If the last cycle you completed was a rinse cycle, when you press the Start pad, the dishwasher runs the last full wash cycle and option.

SANI RINSE™ Option

Select this option to raise the water temperature in the final rinse to approximately 160°F (71°C). The SANI RINSE™ option adds heat and time to the cycle.



NOTE: SANI RINSE™ is an option with the Pots/Pans, Normal, and Quick Wash cycles.

Control Lock

Use Control Lock to prevent unintended use of the dishwasher. You can also use the control lock feature to prevent unintended cycle or option changes during a cycle.



When Control Lock is lit, all buttons are disabled.

NOTES:

- The dishwasher lid can be opened while the controls are locked.
- You can turn on the lock while the dishwasher is running.

To turn on the lock

Press and hold



for 4 seconds. Control Lock glows.

If you press any pad while your dishwasher control is locked, the light flashes 3 times.

To turn off the Lock

Press and hold SANI RINSE™ option control for 4 seconds. The light turns off.

Status Indicators



Control Lock

When Control Lock is lit, all buttons are disabled.

Sanitized

If you select the SANI RINSE™ option, the sanitized indicator glows when the SANI RINSE™ cycle is finished. If your dishwasher did not properly sanitize your dishes, the light flashes at the end of the cycle. This can happen if the cycle is interrupted or the incoming water temperature is too low. The light goes off when you open and close the lid.

Check Drain

If the dishwasher senses the drain stopper is not closed properly, the cycle immediately ends, the lid pops open, and the Check Drain indicator is lit.

Rinse Aid Empty

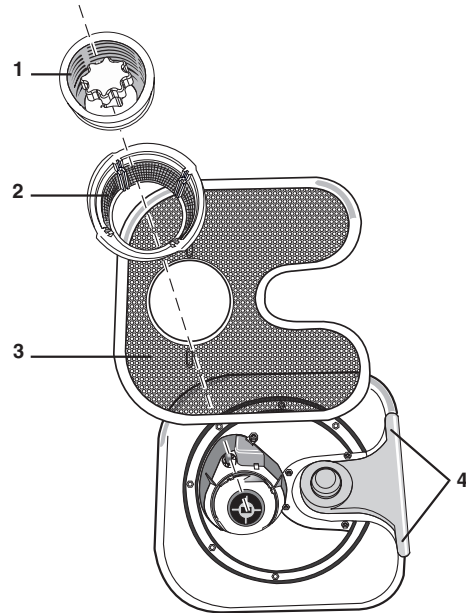
Fill the rinse aid dispenser when Rinse Aid Empty is lit. A rinse aid prevents water from forming droplets that can dry as spots or streaks. Rinse aid is essential for good drying.

If the rinse aid dispenser is empty, the light glows when you select a cycle or while a cycle is running.

BRIVA™ In-Sink Wash System

The three-level wash system provides excellent cleaning results. Three levels of filtration filter the wash water and prevent food particles from redepositing on the clean dishes.

- A coarse strainer as part of the drain stopper assembly, prevents bones, pits, and other large objects from entering the pump system.
- Items small enough to pass through the coarse strainer are caught in the drain screen basket.
- The wash water continuously flows through the drain fine screen filter, trapping food particles.



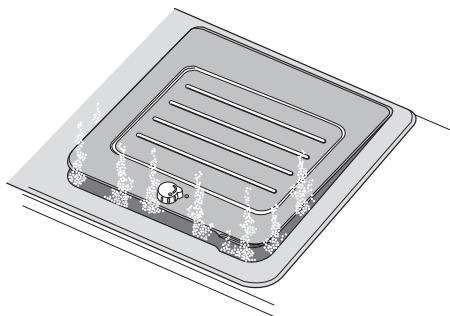
1. Drain stopper assembly with coarse strainer
2. Drain screen basket
3. Fine filter screen
4. Fine screen filter holder

- Two water jets, located under the spray arm, remove the food particles from the Drain fine screen filter.

NOTE: Before each wash load, check the coarse strainer, the drain screen basket and the fine screen filter and remove any objects and soil particles. See “Cleaning” for further instructions.

Drying System

The BRIVA™ in-sink wash system features FLASHDRY™ instant drying. At the end of the cycle, the lid automatically pops open, and vapor escapes. This results in fast, efficient drying of your dishes.



IMPORTANT: The vapor is hot. Do not touch the lid opening during drying. Do not place anything on top of the lid when running a cycle.

WASHING SPECIAL ITEMS

If you have doubts about washing a particular item, check with the manufacturer to see if it is dishwasher safe.

Material	Dishwasher Safe?/Comments
Aluminum	Yes High water temperature and detergents can affect finish of anodized aluminum.
Disposable Aluminum	No Do not wash throwaway aluminum pans in the dishwasher. These might shift during washing and transfer black marks to dishes and other items.
Bottles and Cans	No Wash bottles and cans by hand. Labels attached with glue can loosen and clog the spray arms or pump and reduce washing performance.
Cast Iron	No Seasoning will be removed and iron will rust.

Material	Dishwasher Safe?/Comments
China/ Stoneware	Yes Always check manufacturer's recommendations before washing. Antique, hand-painted, or over-the-glaze patterns may fade. Gold leaf can discolor or fade.
Crystal	Yes Check manufacturer's recommendations before washing. Some types of leaded crystal can etch with repeated washing.
Gold	No Gold-colored flatware will discolor.
Glass	Yes Milk glass yellows with repeated dishwasher washing.
Hollow-Handle Knives	No Handles of some knives are attached to the blade with adhesives which can loosen if washed in the dishwasher.
Pewter, Brass, Bronze	No High water temperatures and detergent can discolor or pit the finish.
Disposable Plastics	No Cannot withstand high water temperatures and detergents.
Plastics	Yes Always check manufacturer's recommendations before washing. Plastics vary in their capacity to withstand high temperatures and detergents. Load plastics in top rack only.
Stainless Steel	Yes Run a rinse cycle if not washing immediately. Prolonged contact with food containing salt, vinegar, milk products, or fruit juice can damage finish.
Sterling Silver or Silver Plate	Yes Run a rinse cycle if not washing immediately. Prolonged contact with food containing salt, acid, or sulfide (eggs, mayonnaise, and seafood) can damage finish.
Tin	No Can rust.
Wooden Ware	No Wash by hand. Always check manufacturer's instructions before washing. Untreated wood can warp, crack, or lose its finish.

DISHWASHER CARE

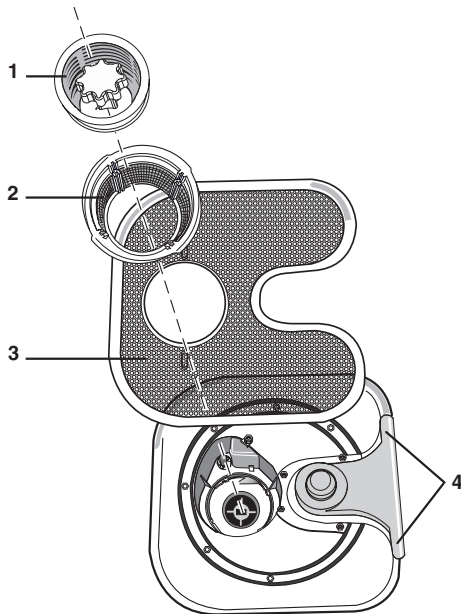
Cleaning

Cleaning the drain screen assembly

Before each wash load, check the coarse strainer, the drain screen basket and the drain fine screen filter and remove any objects and soil particles.

To remove the drain screen assembly for cleaning

1. Turn the handle one-quarter turn to the left to release and lift up. Clean basket.
2. Turn the drain screen basket to the left until you feel release and lift up. Clean the screen.
3. Lift the fine filter screen up and slide right edges out of the holder. Clean screen.



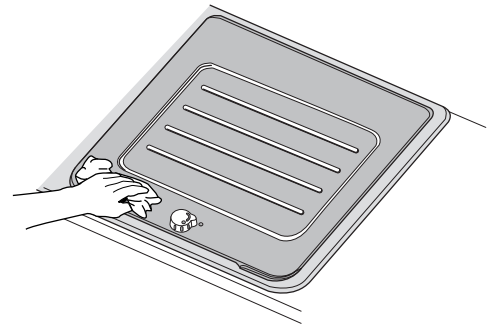
1. Drain stopper assembly with coarse strainer
2. Drain screen basket
3. Fine filter screen
4. Fine screen filter holder

To install the drain screen assembly after cleaning

1. Slide the right edge of the fine filter screen under the holders in the floor of the dishwasher and move into position.
2. Insert the drain screen basket into the opening and turn to the right slightly until it locks into position.
3. Install the drain stopper assembly until it drops into position and turn one-quarter turn clockwise to lock into place.

Cleaning the exterior

In most cases, regular use of a soft, damp cloth or sponge and a mild detergent is all that is necessary to keep the outside of your dishwasher looking nice and clean.



To clean the wooden cutting board

Wash in warm, soapy water and dry completely. Oil frequently with mineral or linseed oil, following the instructions on the container.

NOTES:

- Never put wood in the dishwasher or microwave.
- Never soak.
- Avoid extremes in temperatures--do not plunge into very hot water or store in the refrigerator.

Cleaning the interior

Hard water minerals can cause a white film to build up on the inside surfaces, especially just beneath the lid area.

Do not clean the dishwasher interior until it has cooled. Wear rubber gloves. Do not use any type of cleanser other than dishwasher detergent because it may cause foaming or sudsing.

To clean interior

Make a paste with powdered dishwasher detergent on a damp sponge and clean.

OR

Use liquid automatic dishwasher detergent and clean with a damp sponge.

OR

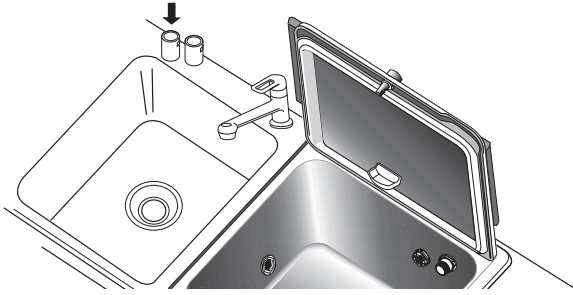
See the vinegar rinse procedure in "Spotting and filming on dishes" in "Troubleshooting."

NOTE: Run a Normal cycle with detergent after cleaning the interior.

Drain Air Gap

Check the drain air gap anytime your dishwasher isn't draining well.

If a drain is clogged, the drain air gap protects your dishwasher from water backing up into it.



To clean the drain air gap

Clean the drain air gap periodically to ensure proper drainage of your dishwasher. Lift off the outer cover. Unscrew the plastic cap. Then check for any soil buildup. Clean if necessary.

NOTE: The fill air gap is located to the right of the drain air gap and does not require maintenance.

Storing

Storing for the summer

Protect your dishwasher during the summer months by turning off the water supply and power supply to the dishwasher.

Winterizing your dishwasher

Protect your dishwasher and home against water damage due to freezing water lines. If your dishwasher is left in a seasonal dwelling or could be exposed to near freezing temperatures, have your dishwasher winterized by authorized service personnel.

TROUBLESHOOTING

First try the solutions suggested here and possibly avoid the cost of a service call...

Dishwasher is not operating properly

■ Dishwasher does not run or stops during a cycle

Is the lid closed tightly and latched?

Is the right cycle selected? Refer to the "Cycle Selection Charts."

Is there power to the dishwasher? Has a household fuse blown or circuit breaker tripped?

Has the Ground Fault Circuit Interrupter (GFCI) tripped? Press the Reset button. Indicator should be visible inside the indicator window. Refer to the "Before Using Your Dishwasher" section. If the GFCI does not reset, call for service.

Has the motor stopped due to an overload? The motor automatically resets itself within a few minutes. If it does not restart, call for service.

Is the Drain stopper closed? If it is not closed properly, selected cycle immediately ends, lid pops open, and Check Drain indicator is lit.

■ Dishwasher will not fill

Is the water shut-off valve (if installed) turned on?

■ Dishwasher seems to run too long

Is the water supplied to the dishwasher hot enough? The dishwasher runs longer while heating water. Refer to the "Dishwasher Performance Tips" section.

A delay automatically occurs in some wash and rinse cycles until the water reaches the proper temperature.

■ Water remains in the dishwasher

Is the cycle complete?

■ Odor in the dishwasher

Are dishes washed only every 2 or 3 days? Run a rinse cycle once or twice a day until you have a full load.

Does the dishwasher have a new plastic smell? Run a vinegar rinse as described in "Spotting and filming on dishes" later in this Troubleshooting guide.

Dishes are not completely clean

■ Food soil left on the dishes

Is the dishwasher loaded correctly? Refer to the "Dishwasher Loading" section.

Is the water temperature too low? For best dishwashing results, water should be 120°F (49°C) as it enters the dishwasher. Refer to the "Dishwasher Performance Tips" section.

Did you use the correct amount of fresh detergent? Use recommended dishwasher detergents only. Refer to the "Detergent Dispenser" section. Never use less than 1 tsp (5 g) per load. Detergent must be fresh to be effective. Store detergent in a cool, dry area. Heavy soil and/or hard water generally require extra detergent.

Is the pump or spray arm clogged by labels from bottles and cans? If you wash bottles and cans in your dishwasher, check for labels clogging the pump or spray arm.

Is the home water pressure high enough for proper dishwasher filling? Home water pressure should be 20 to 120 psi (138 to 828 kPa) for proper dishwasher fill. A booster pump on the water supply can be added if pressure is too low.

Are high suds slowing the wash arm? Never use soap or laundry detergents. Use recommended dishwasher detergents only.

Spots and stains on dishes

■ Spotting and filming on dishes

Is your water hard or is there a high mineral content in your water? Conditioning the final rinse water with a liquid rinse aid helps eliminate spotting and filming. Keep the rinse aid dispenser filled.

Is the water temperature too low? For best dishwashing results, water should be 120°F (49°C) as it enters the dishwasher. Refer to the "Dishwasher Performance Tips" section.

Did you use the correct amount of effective detergent? Use recommended dishwasher detergents only. Refer to the "Detergent Dispenser" section. Never use less than 1 tsp (5 g) per load. Detergent must be fresh to be effective. Store detergent in a cool, dry area. Heavy soil and/or hard water generally require extra detergent.

Is the home water pressure high enough for proper dishwasher filling? Home water pressure should be 20 to 120 psi (138 to 828 kPa) for proper dishwasher fill. A booster pump on the water supply can be added if pressure is too low.

NOTE: To remove spots and film from dishes, try a white vinegar rinse. This procedure is intended for occasional use only. Vinegar is an acid and using it too often could damage your dishwasher.

1. Wash and rinse dishes. Remove all silverware or metal items.
2. Put 1 cup (250 mL) white vinegar in a glass or dishwasher-safe measuring cup on the rack.
3. Run the dishwasher through a complete washing cycle. Do not use detergent. Vinegar will mix with the wash water.

■ Silica film or etching (silica film is a milky, rainbow-colored deposit; etching is a cloudy film)

Sometimes there is a water/chemical reaction with certain types of glassware. This is usually caused by some combination of soft or softened water, alkaline washing solutions, insufficient rinsing, overloading the dishwasher, and the heat of drying. It might not be possible to prevent the problem, except by hand washing.

To slow this process use a minimum amount of detergent but not less than 1 tsp (5 g) per load. Use a liquid rinse aid and underload the dishwasher to allow thorough rinsing. Silica film and etching are permanent and cannot be removed.

■ White spots on cookware with non-stick finish

Has the dishwasher detergent removed cookware seasoning? Reseason cookware after washing in the dishwasher.

■ Brown stains on dishes and dishwasher interior

Does your water have high iron content? Rewash dishes using 1-3 tsp (5-15 g) of citric acid crystals added to the covered section of the detergent dispenser. Do not use detergent. Follow with a Normal wash cycle with detergent. If treatment is needed more often than every other month, the installation of an iron removal unit is recommended.

■ Black or gray marks on dishes

Are aluminum items rubbing dishes during washing? Disposable aluminum items can break down in the dishwasher and cause marking. Hand wash these items. Remove aluminum markings by using a mild abrasive cleaner.

■ Orange stains on plastic dishes or dishwasher interior

Are large amounts of tomato-based foods on dishes placed in the dishwasher? Stains gradually fade over time. Stains will not affect dishwasher performance. Regular use of a rinse cycle will reduce the likelihood of staining.

Dishes do not dry completely

■ Dishes are not dry

Did you load your dishwasher to allow proper water drainage? Do not overload. Refer to the "Dishwasher Loading" section. Use a liquid rinse aid to speed drying.

Are the plastics wet? Plastics often need towel drying.

Is the rinse aid dispenser empty? Refer to the "Rinse Aid Dispenser" section.

Dishes are damaged during a cycle

■ Chipping of dishes

Did you load the dishwasher properly? Load the dishes and glasses so they are stable and do not strike together from washing action.

NOTE: Antiques, feather-edged crystal, and similar types of china and glassware might be too delicate for automatic dishwashing. Wash by hand.

Scratches

■ Minor scratches on the surface of the sink or dishwasher

Scouring with a mild abrasive kitchen cleaner in the direction of the grain lines will blend scratches into the finish of the sink.

ASSISTANCE OR SERVICE

Before calling for assistance or service, please check "Troubleshooting." It may save you the cost of a service call. If you still need help, follow the instructions below.

When calling, please know the purchase date and the complete model and serial number of your appliance. This information will help us to better respond to your request.

If you need replacement parts

If you need to order replacement parts, we recommend that you only use factory specified parts. These parts will fit right and work right, because they are made with the same precision used to build every new KITCHENAID® appliance. To locate factory specified replacement parts in your area, call our Customer Interaction Center telephone number or your nearest designated service center.

Call the KitchenAid Customer Interaction Center
toll free: **1-800-422-1230**.

Our consultants provide assistance with:

- Features and specifications on our full line of appliances.
- Installation information.
- Use and maintenance procedures.
- Accessory and repair parts sales.
- Specialized customer assistance (Spanish speaking, hearing impaired, limited vision, etc.).
- Referrals to local dealers, repair parts distributors, and service companies. KitchenAid designated service technicians are trained to fulfill the product warranty and provide after-warranty service, anywhere in the United States.

To locate the KitchenAid designated service company in your area, you can also look in your telephone directory Yellow Pages.

For further assistance

If you need further assistance, you can write to KitchenAid with any questions or concerns at:

KitchenAid Brand Home Appliances
Customer Interaction Center
553 Benson Road
Benton Harbor, MI 49022-2692

Notes

KITCHENAID® DISHWASHER WARRANTY

ONE-YEAR FULL WARRANTY

For one year from the date of purchase, when this dishwasher is operated and maintained according to instructions attached to or furnished with the product, KitchenAid will pay for replacement parts and repair labor to correct defects in materials or workmanship. Service must be provided by a KitchenAid designated service company.

SECOND THROUGH FIFTH YEAR LIMITED WARRANTY ON NYLON COATED DISHRACKS, WASH AND DRAIN MOTOR, AND ELECTRONIC CONTROL SYSTEM

In the second through fifth years from the date of purchase, when this dishwasher is operated and maintained according to instructions attached to or furnished with the product, KitchenAid will pay for replacement parts for the following components if defective in materials or workmanship: the upper and lower nylon racks, the wash and drain motor, the electronic controls.

LIFETIME FULL WARRANTY ON STAINLESS STEEL TUB AND INNER DOOR

For the lifetime of the product from the date of purchase, when this dishwasher is operated and maintained according to instructions attached to or furnished with the product, KitchenAid will pay for replacement parts and repair labor for the stainless steel tub and/or inner door if the tub and/or inner door develops a water leak caused by rust-through resulting from defective materials or workmanship. Service must be provided by a KitchenAid designated service company.

KitchenAid will not pay for:

1. Service calls to correct the installation of your dishwasher, to instruct you how to use your dishwasher, to replace house fuses or correct house wiring or plumbing.
 2. Repairs when your dishwasher is used in other than normal, single-family household use.
 3. Damage resulting from accident, alteration, misuse, abuse, fire, floods, acts of God, improper installation, or installation not in accordance with local electrical and plumbing codes, or the use of products not approved by KitchenAid.
 4. Any labor costs during the limited warranty period.
 5. Replacement parts or repair labor costs for units operated outside the United States.
 6. Pickup and delivery. This product is designed to be repaired in the home.
 7. Repairs to parts or systems resulting from unauthorized modifications made to the appliance.
-

KITCHENAID SHALL NOT BE LIABLE FOR INCIDENTAL OR CONSEQUENTIAL DAMAGES.

Some states do not allow the exclusion or limitation of incidental or consequential damages, so this exclusion or limitation may not apply to you. This warranty gives you specific legal rights and you may also have other rights which may vary from state to state.

Outside the 50 United States, this warranty does not apply. Contact your authorized KitchenAid dealer to determine if another warranty applies.

If you need service, first see "Troubleshooting." Additional help can be found by checking "Assistance or Service," or by calling our Customer Interaction Center at **1-800-422-1230**, from anywhere in the U.S.A. or write: KitchenAid Brand Home Appliances, Customer Interaction Center, 553 Benson Road, Benton Harbor, MI 49022-2692. 11/00

Keep this book and your sales slip together for future reference. You must provide proof of purchase or installation date for in-warranty service.

Write down the following information about your dishwasher to better help you obtain assistance or service if you ever need it. You will need to know your complete model number and serial number. You can find this information on the model and serial number label/plate, located on your appliance as shown in "Parts and Features."

Dealer name _____
Address _____
Phone number _____
Model number _____
Serial number _____
Purchase date _____

Free Manuals Download Website

<http://myh66.com>

<http://usermanuals.us>

<http://www.somanuals.com>

<http://www.4manuals.cc>

<http://www.manual-lib.com>

<http://www.404manual.com>

<http://www.luxmanual.com>

<http://aubethermostatmanual.com>

Golf course search by state

<http://golfingnear.com>

Email search by domain

<http://emailbydomain.com>

Auto manuals search

<http://auto.somanuals.com>

TV manuals search

<http://tv.somanuals.com>