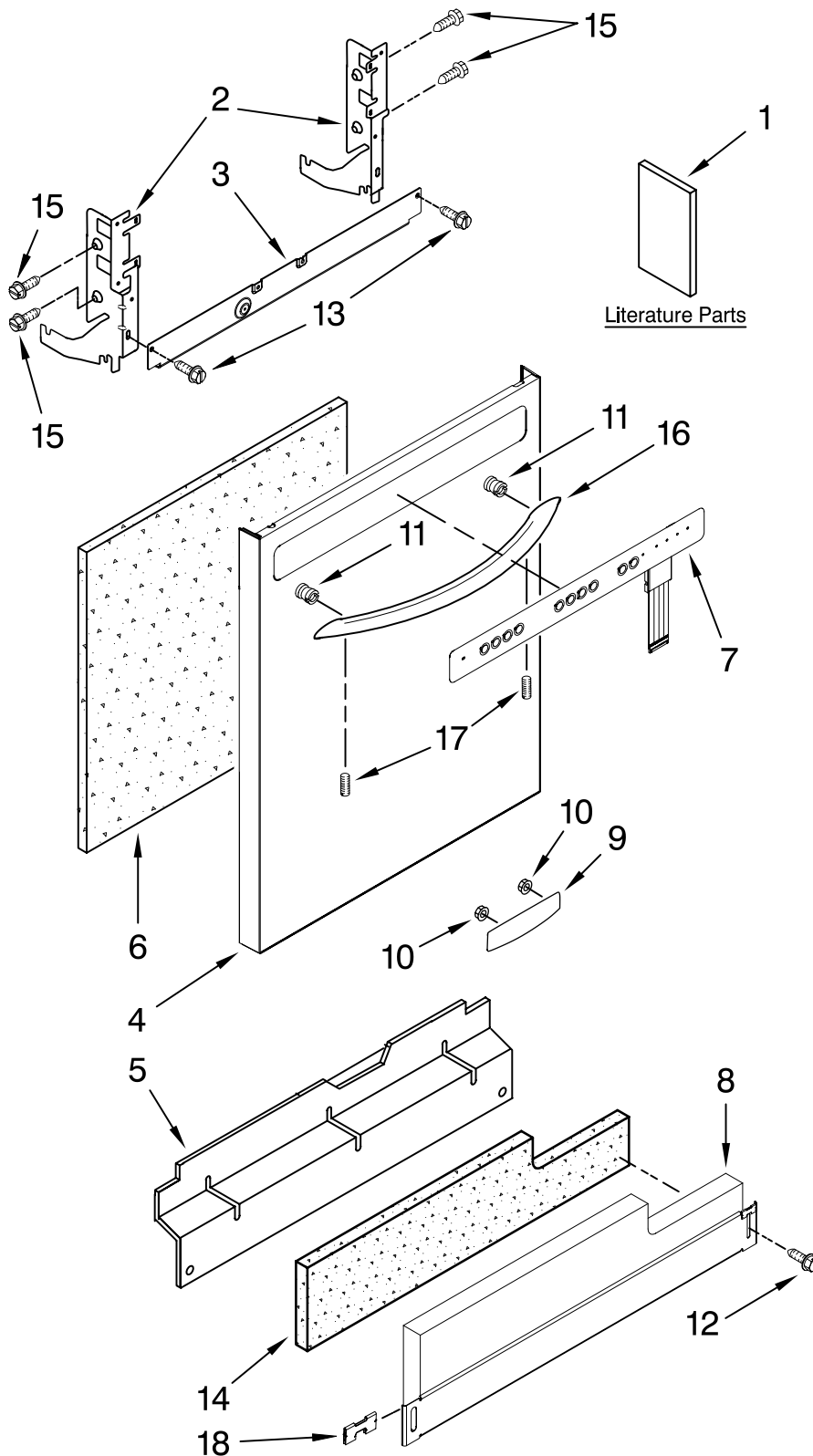


DOOR AND PANEL PARTS

For Models: KUDC20CVBL0, KUDC20CVWH0, KUDC20CVSS0
(Black) (White) (Stainless)

UNDERCOUNTER
DISHWASHER

KitchenAid®

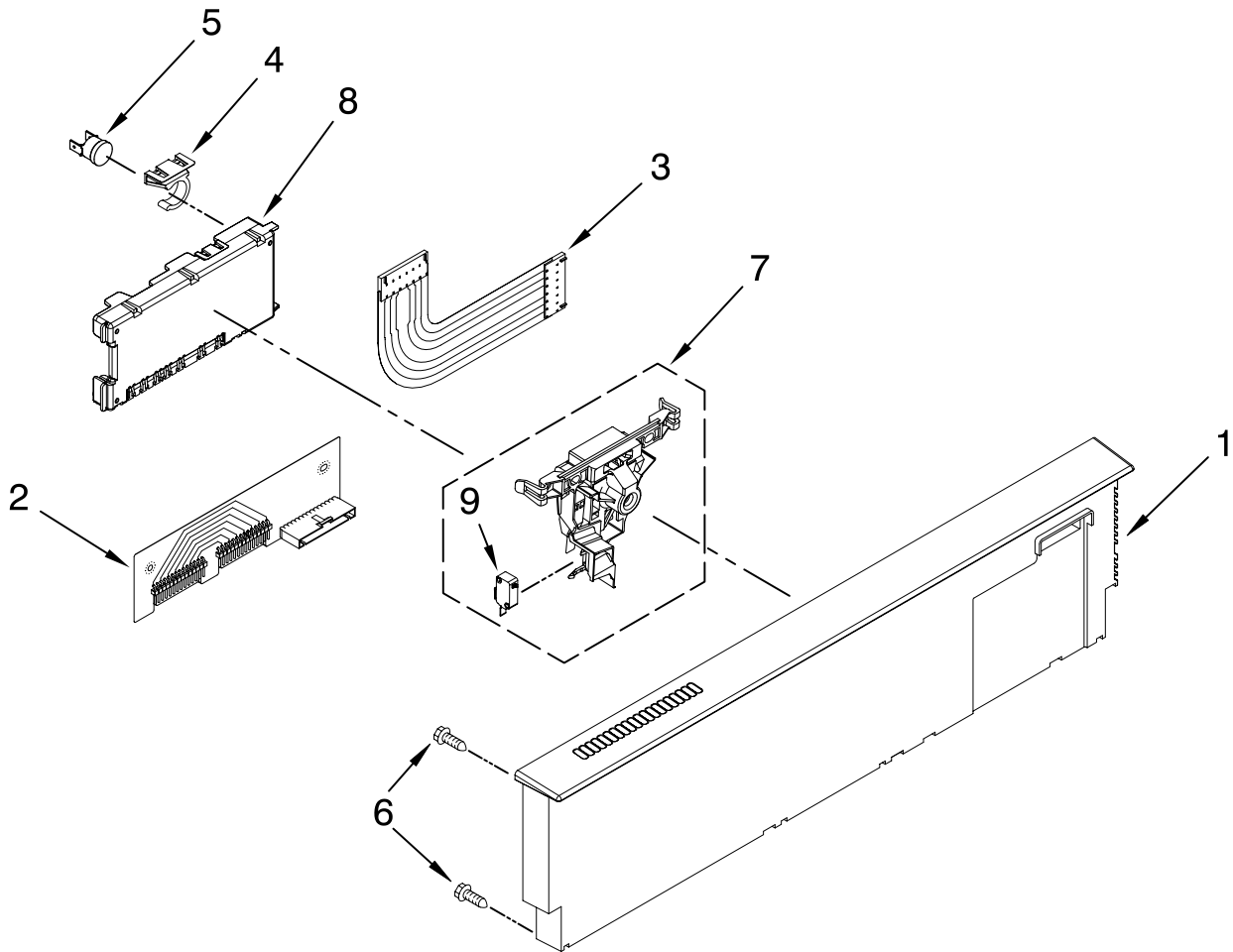


Illus. No.	Part No.	DESCRIPTION
1		Literature Parts
	W10056407	Instructions, Installation
	W10056438	Energy Guide
	W10205938	Guide, Use & Care Spanish
	W10205937	Guide, Use & Care English/French
	W10130990	Tech Sheet
2		Arm, Hinge
	8534854	Left
	8534853	Right
3	8268983	Stiffener, Door
4		Panel Front (Includes Items 6, 9, 10 & 11)
	W10077999	Black
	W10078000	White
	W10137621	Stainless
5		Access Panel
	8573255	Black
	8573256	White
6	W10073520	Insulation, Door
7		Bezel, Console
	W10077790	Black
	W10077791	White
	W10077793	Stainless
8		Toe Panel (Includes Items 14 & 19)
	W10205336	Black
	W10205337	White
9		Nameplate
	W10021860	Black
	W10021870	White
	W10021850	Stainless
10	2004333	Nut
11	8564951	Stud, Mounting
12		Screw
	302868	Black
	3400836	White
	304392	Screw
13		Screw
14	W10073540	Insulation, Toe Panel
15	3400071	Screw
16		Handle (Includes Items 17)
	W10083936	Black
	W10083937	White
	W10083935	Stainless
17	8534008	Screw
18	8269016	Clip, Grounding

FOR ORDERING INFORMATION REFER TO PARTS PRICE LIST

CONTROL PANEL PARTS

For Models: KUDC20CVBL0, KUDC20CVWH0, KUDC20CVSS0
(Black) (White) (Stainless)

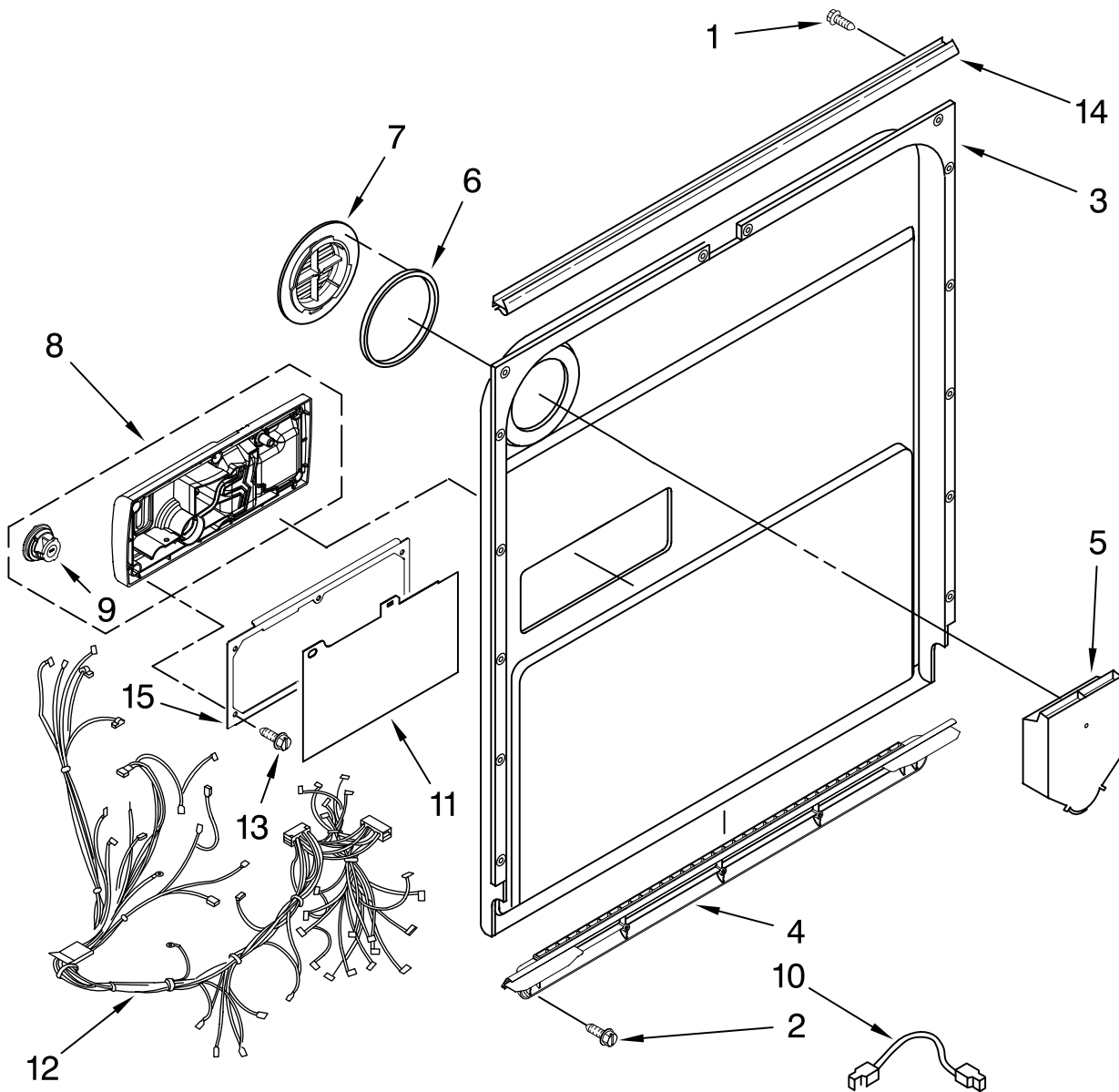


Illus. No.	Part No.	DESCRIPTION
1		Console Asm. (Includes Active Overlay & Insert)
	W10056447	Black
	W10056448	White
	W10056449	Stainless
2	8531873	Interconnect
3	8531877	Cable, Ribbon
4	8546546	Clip, BI-Metal
5	661663	BI-Metal
6	3369051	Screw
7	W10077360	Latch Assembly
8	W10084142	Control, Electronic
9	W10134019	Switch, Door

FOR ORDERING INFORMATION REFER TO PARTS PRICE LIST

DOOR AND LATCH PARTS

For Models: KUDC20CVBL0, KUDC20CVWH0, KUDC20CVSS0
(Black) (White) (Stainless)



Illus. No.	Part No.	DESCRIPTION
1	3369051	Screw, Door
2	8281217	Screw
3	W10056249	Inner Door Mastic Assembly (Also Order Item 6)
4	W10077883	Inlet, Air
5	8572611	Vent Assembly (Also Order Item 6)
6	8269259	Gasket, Vent

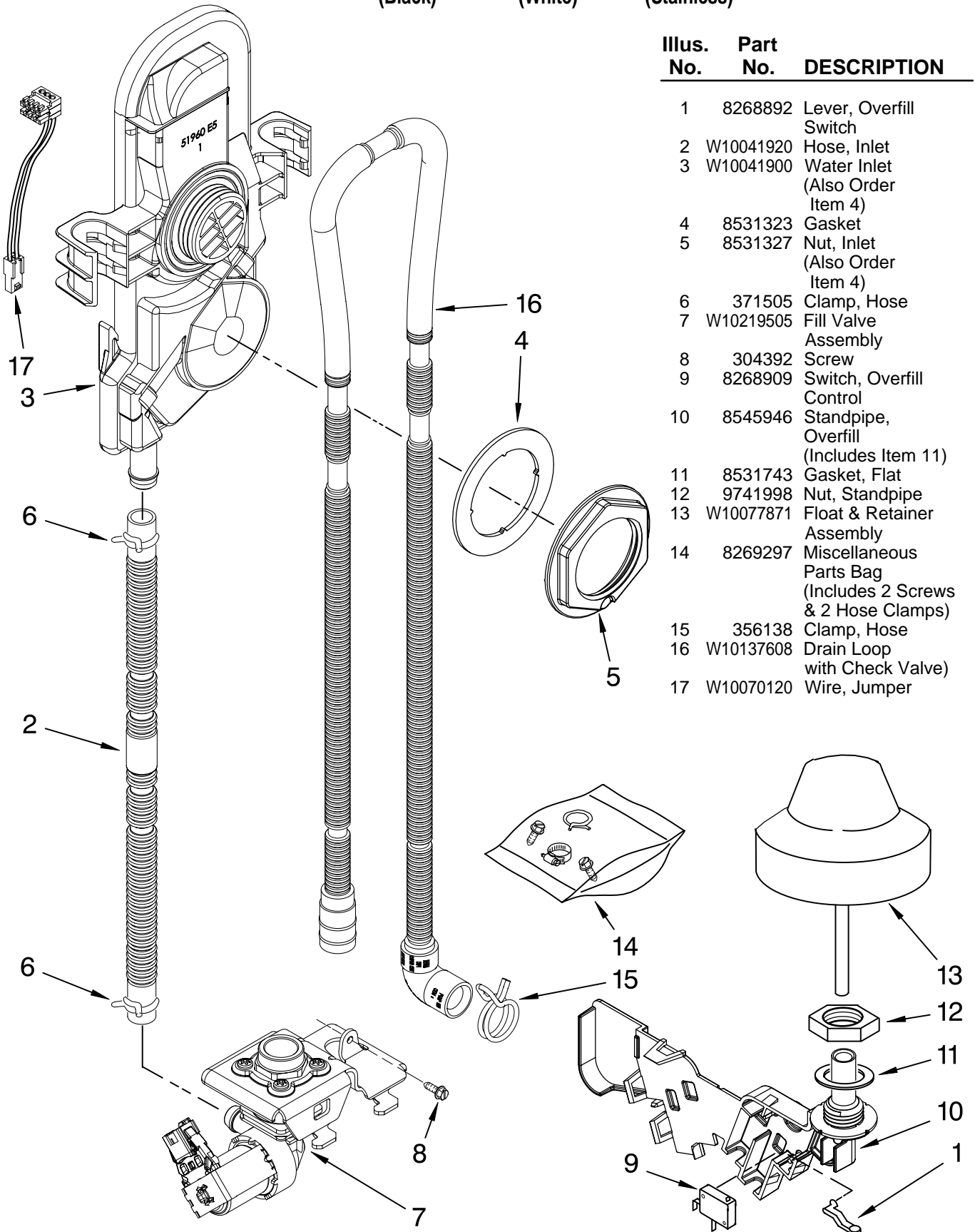
Illus. No.	Part No.	DESCRIPTION
7	W10077877	Deflector, Vent (Also Order Item 6)
8	W10077882	Dispenser, Assembly
9	W10077881	Knob, Rinse Aid
10	8545608	Harness, Vent Motor

Illus. No.	Part No.	DESCRIPTION
11	8531865	Shield, Dispenser
12	W10077950	Wiring Harness Main
13	8281154	Screw
14	8535660	Seal, Console/door
15	8535637	Bracket, Dispenser

FOR ORDERING INFORMATION REFER TO PARTS PRICE LIST

FILL, DRAIN AND OVERFILL PARTS

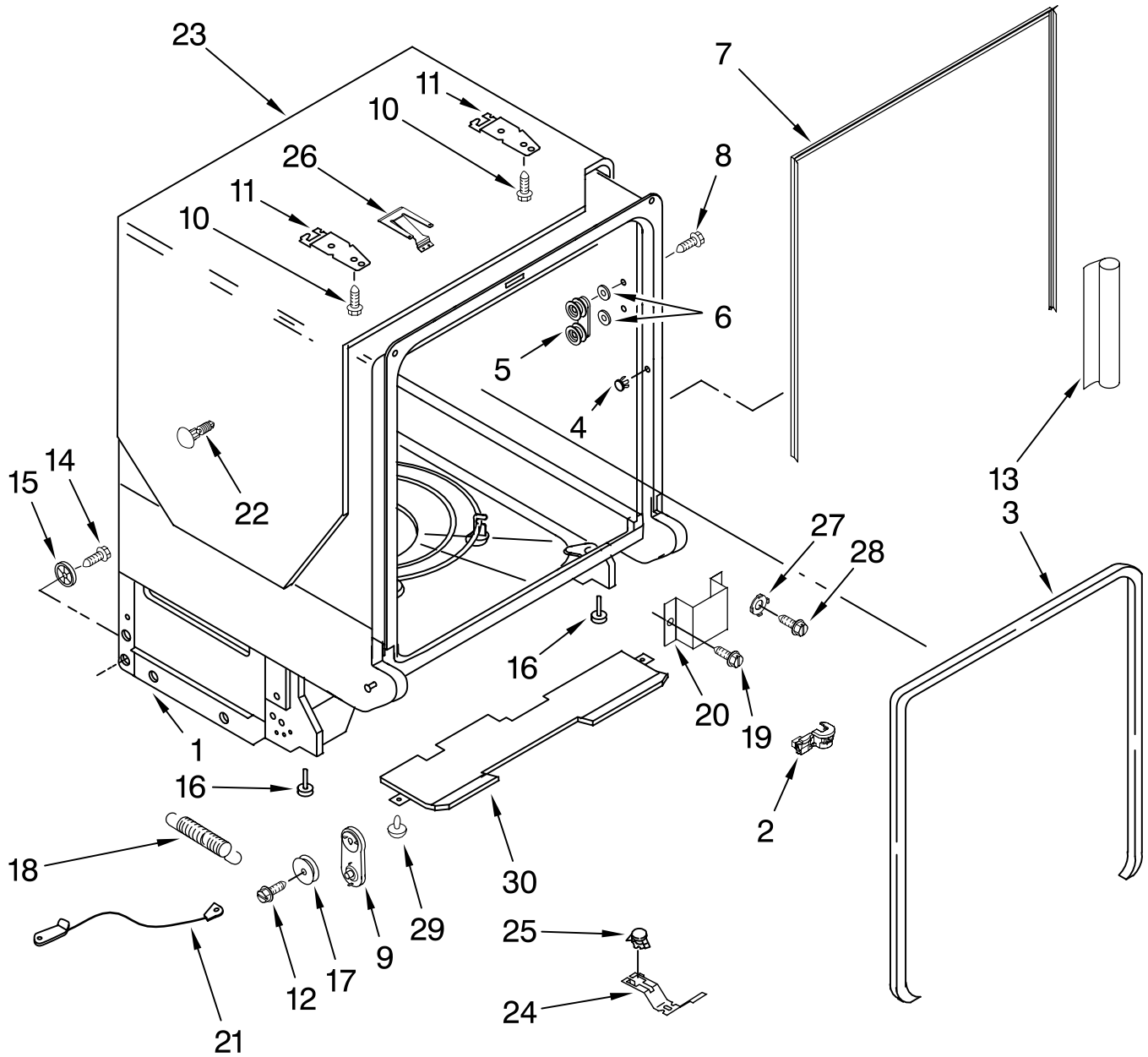
For Models: KUDC20CVBL0, KUDC20CVWH0, KUDC20CVSS0
(Black) (White) (Stainless)



Illus. No.	Part No.	DESCRIPTION
1	8268892	Lever, Overflow Switch
2	W10041920	Hose, Inlet
3	W10041900	Water Inlet (Also Order Item 4)
4	8531323	Gasket
5	8531327	Nut, Inlet (Also Order Item 4)
6	371505	Clamp, Hose
7	W10219505	Fill Valve Assembly
8	304392	Screw
9	8268909	Switch, Overflow Control
10	8545946	Standpipe, Overflow (Includes Item 11)
11	8531743	Gasket, Flat
12	9741998	Nut, Standpipe
13	W10077871	Float & Retainer Assembly
14	8269297	Miscellaneous Parts Bag (Includes 2 Screws & 2 Hose Clamps)
15	356138	Clamp, Hose
16	W10137608	Drain Loop with Check Valve
17	W10070120	Wire, Jumper

TUB AND FRAME PARTS

For Models: KUDC20CVBL0, KUDC20CVWH0, KUDC20CVSS0
 (Black) (White) (Stainless)



FOR ORDERING INFORMATION REFER TO PARTS PRICE LIST

TUB AND FRAME PARTS

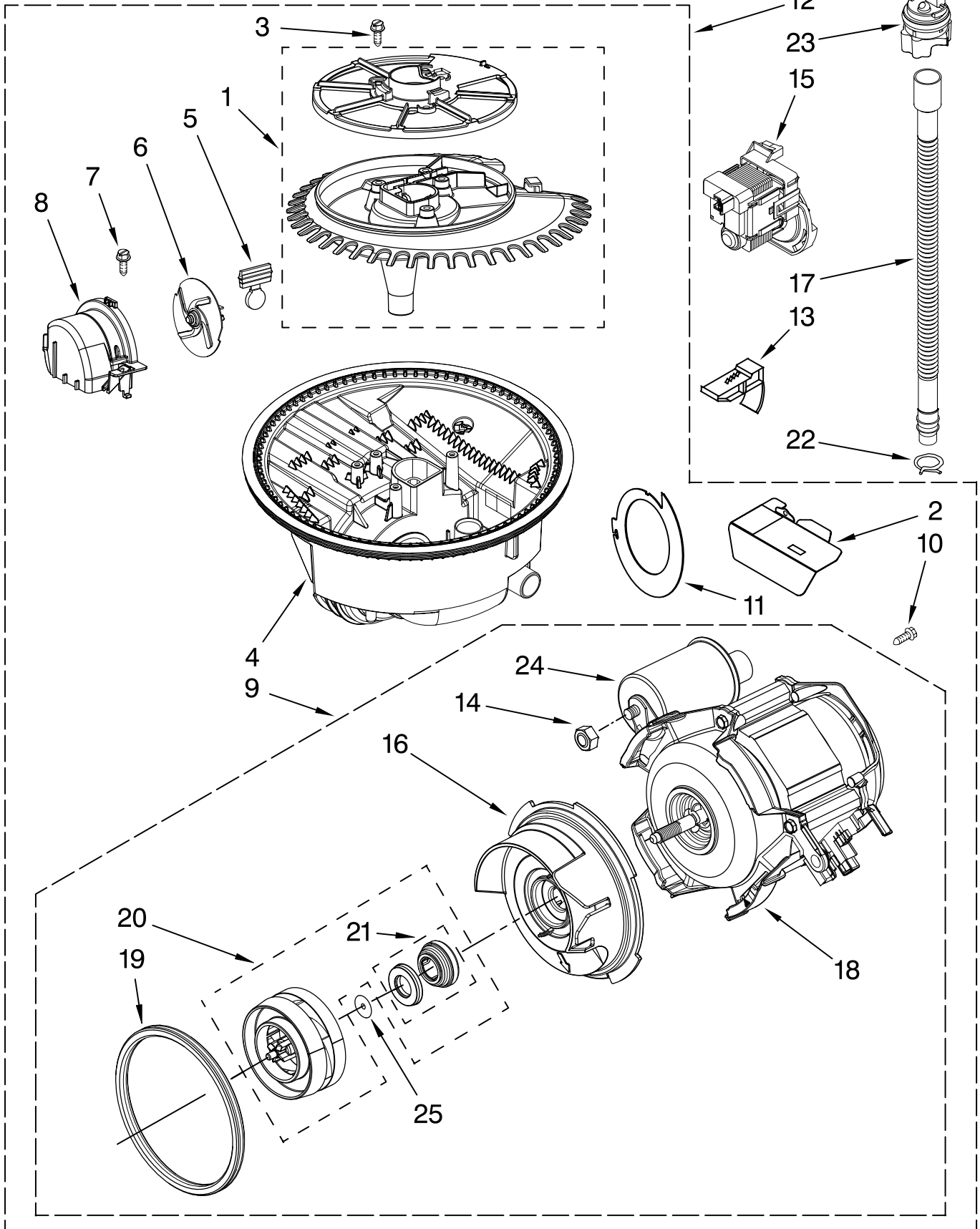
For Models: KUDC20CVBL0, KUDC20CVWH0, KUDC20CVSS0
 (Black) (White) (Stainless)

Illus. No.	Part No.	DESCRIPTION
1	W10164353	Tub Assembly
2	8573061	Strain Relief
3	W10112096	Door Seal
4	W10082838	Plug Tub
5	W10078083	Wheel & Mount Assembly (Also Order Item 6)
6	9743002	Gasket, Bracket Mounting
7	8269110	Seal, Cabinet
8	3400072	Screw
9	W10084084	Mount, Door Balance
10	3367670	Screw
11	8269145	Bracket, Undercounter
12	3400074	Screw
13	8574123	Barrier, Moisture Undercounter
14	3370389	Screw (2)
15	8268977	Wheel Leg
16	8524584	Leveler, Leg
17	W10084085	Wheel, door Balance
18	8270020	Spring, Door Balance
19	3400892	Screw
20	8268991	Cover, Terminal Box
21	W10158291	Link, Door Balance
22	304666	Retainer, Push
23	8573241	Shield, Sound
24	9742648	Bracket, Thermostat
25	661566	Thermostat
26	W10077370	Strike, Latch
27	3378128	Washer, Pronged Cup
28	3400014	Screw
29	3400924	Retainer, Push-in
30	8268582	Insulator, Sound

FOR ORDERING INFORMATION REFER TO PARTS PRICE LIST

PUMP AND MOTOR PARTS

For Models: KUDC20CVBL0, KUDC20CVWH0, KUDC20CVSS0
(Black) (White) (Stainless)



FOR ORDERING INFORMATION REFER TO PARTS PRICE LIST

PUMP AND MOTOR PARTS

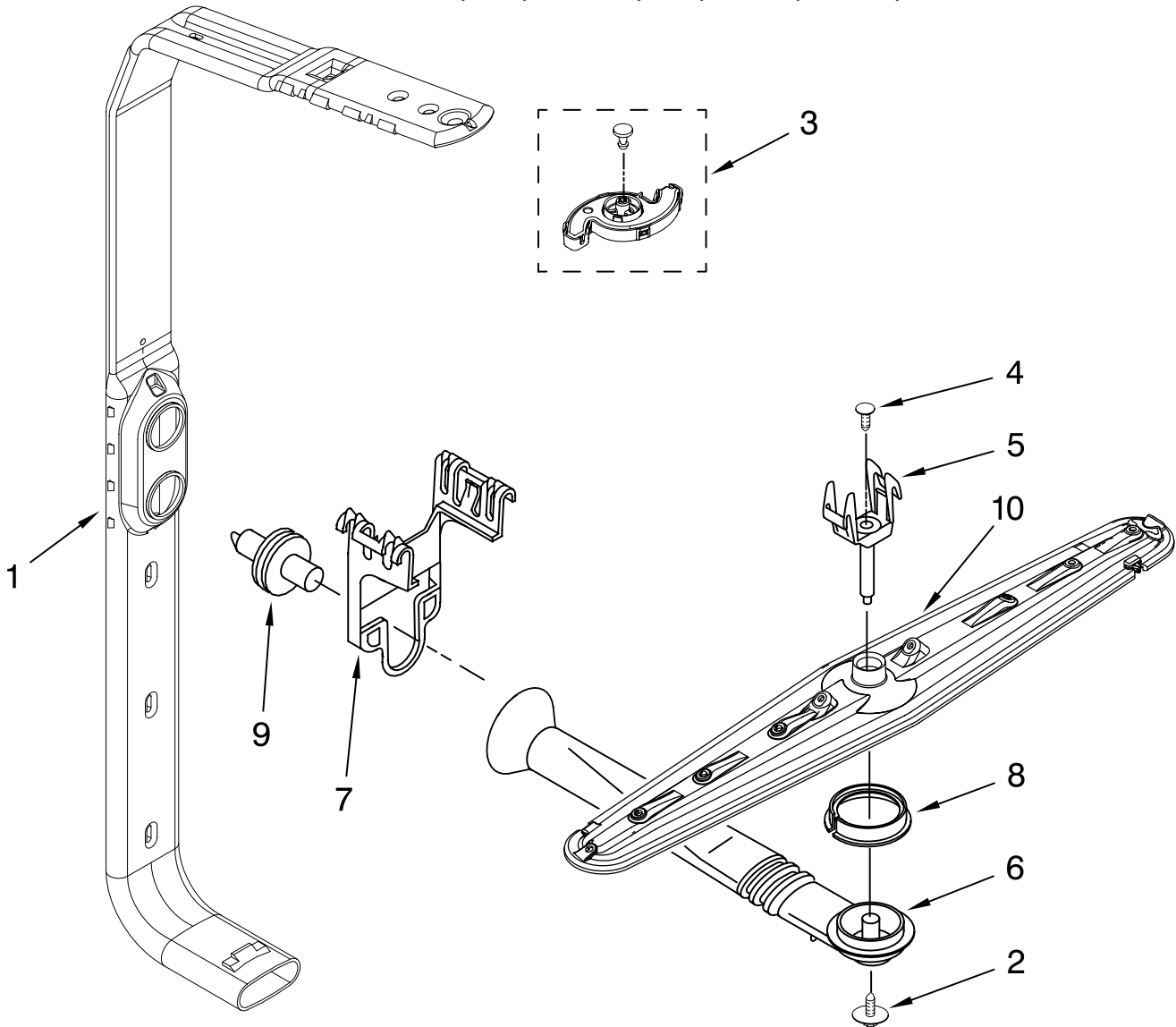
For Models: KUDC20CVBL0, KUDC20CVWH0, KUDC20CVSS0
 (Black) (White) (Stainless)

Illus. No.	Part No.	DESCRIPTION
1	8534952	Accumulator Assy
2	8283527	Shield
3	3400069	Screw
4	8572618	Sump (Includes Seal)
5	8268375	Check Valve, Sump
6	W10083957	Chopper Assembly
7	9741232	Screw
8	8531857	Protector, Inlet
9	8535760	Motor Assembly
10	3400217	Screw
11	W10084567	Screen, Separation
12	W10084107	Sump & Motor Assembly (Includes Item 15)
13	8269524	Tab, Sump
14	8533949	Nut
15	661662	Pump, Drain
16	8531019	Volute, Back (Also Order Items 21 & 26)
17	8269144	Hose, Drain
18	8535759	Motor
19	8268397	Seal, Volute
20	8531017	Impeller Kit
21	8268403	Face Seal Assembly (Also Order Item 26)
22	356138	Clamp, Hose
23	W10134017	Optical Water Indicator
24	W10216724	Capacitor
25	8531018	Washer

FOR ORDERING INFORMATION REFER TO PARTS PRICE LIST

UPPER WASH AND RINSE PARTS

For Models: KUDC20CVBL0, KUDC20CVWH0, KUDC20CVSS0
 (Black) (White) (Stainless)



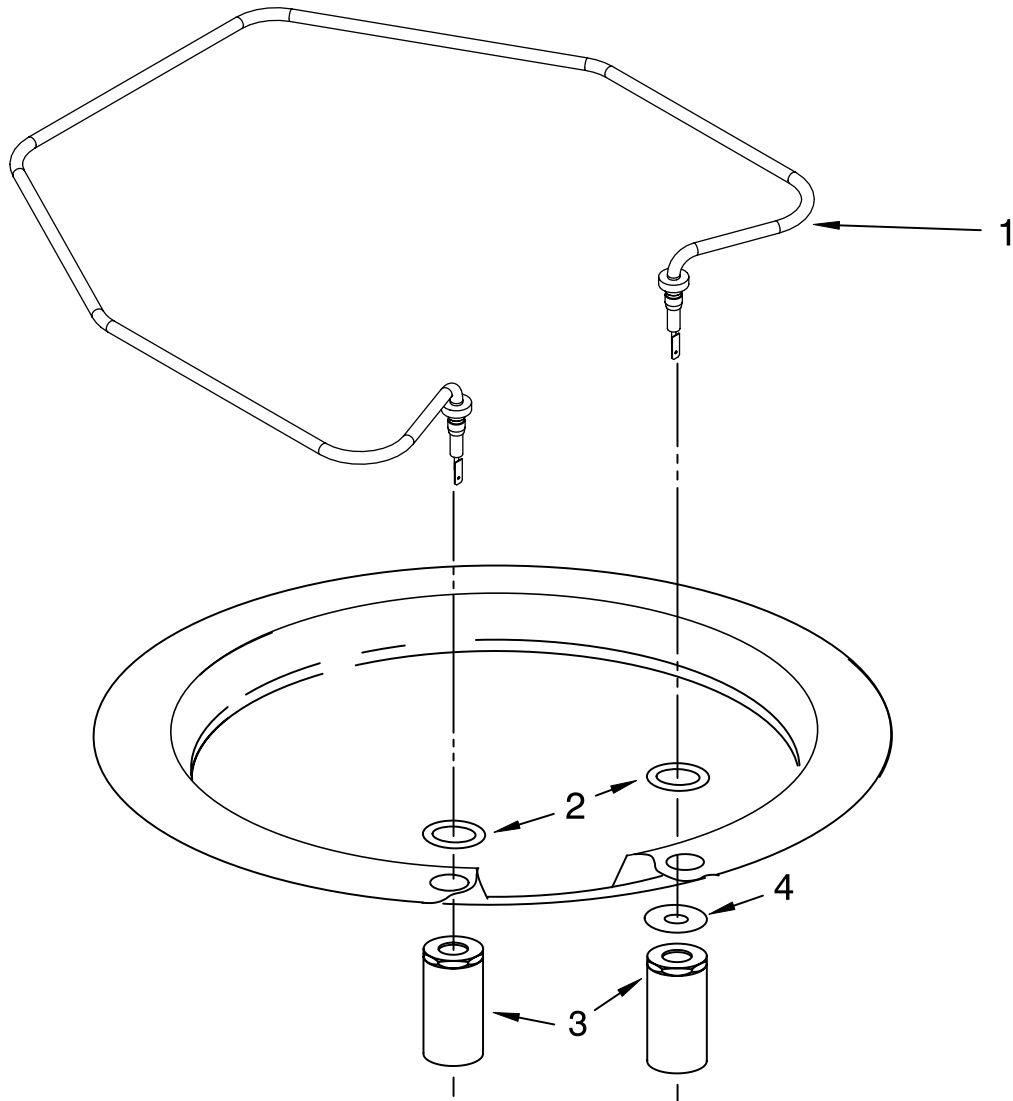
Illus. No.	Part No.	DESCRIPTION
------------	----------	-------------

1	W10077863	Feed Tube Assembly (Also Includes Item 3)
2	8533889	Screw
3	8557720	Spinner, 3rd Level
4	W10118464	Fastener, Push-In
5	W10082867	Mount
6	W10082949	Manifold
7	W10082832	Hanger
8	8268433	Seal, Sprayarm
9	W10082831	Nozzle-Feed
10	W10082841	Sprayarm

FOR ORDERING INFORMATION REFER TO PARTS PRICE LIST

HEATER PARTS

For Models: KUDC20CVBL0, KUDC20CVWH0, KUDC20CVSS0
(Black) (White) (Stainless)



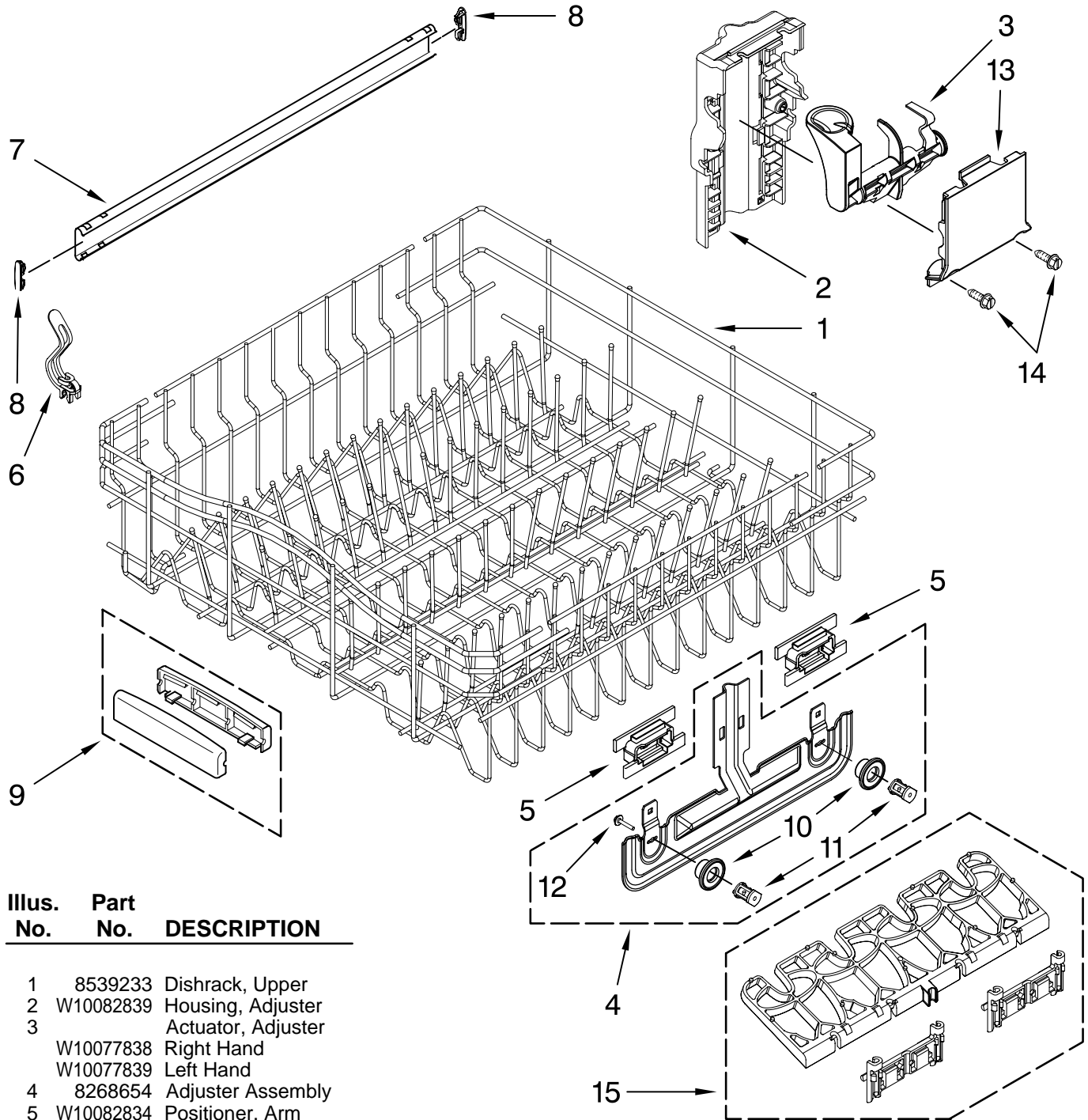
<u>Illus. No.</u>	<u>Part No.</u>	<u>DESCRIPTION</u>
1	8537057	Heater Element Assembly (Also Includes Item 2)
2	717273	Washer, Heater Element
3	8268548	Nut, Heater Element
4	3400931	Retainer, Spring Grip

NOTE: If heater element is removed, it must be replaced.

FOR ORDERING INFORMATION REFER TO PARTS PRICE LIST

UPPER RACK AND TRACK PARTS

For Models: KUDC20CVBL0, KUDC20CVWH0, KUDC20CVSS0
(Black) (White) (Stainless)



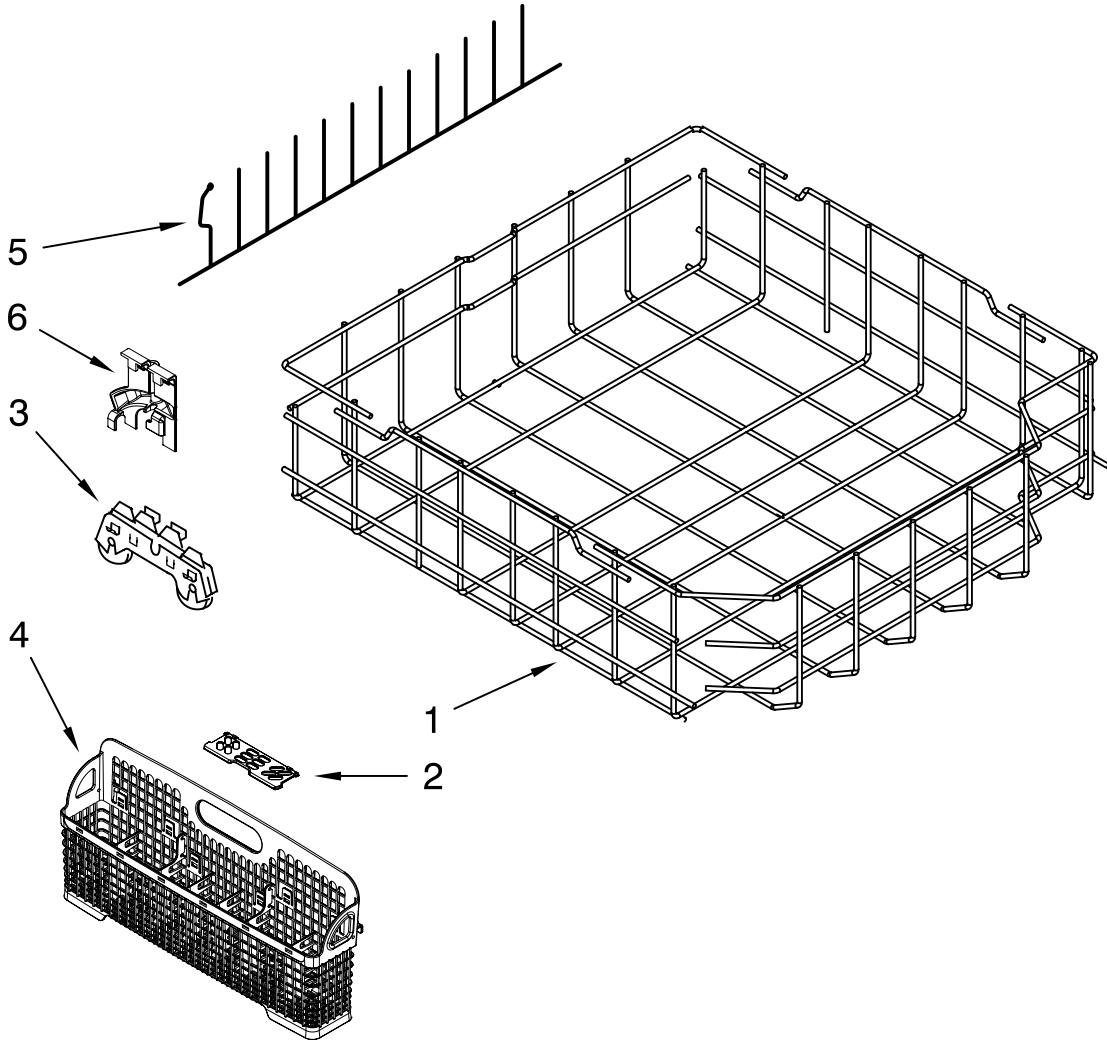
Illus. No.	Part No.	DESCRIPTION
------------	----------	-------------

- | | | |
|----|-----------|--------------------|
| 1 | 8539233 | Dishrack, Upper |
| 2 | W10082839 | Housing, Adjuster |
| 3 | | Actuator, Adjuster |
| | W10077838 | Right Hand |
| | W10077839 | Left Hand |
| 4 | 8268654 | Adjuster Assembly |
| 5 | W10082834 | Positioner, Arm |
| 6 | W10077844 | Clip, No-Flip |
| 7 | 3385089 | Track, Rack |
| 8 | W10082860 | Stop, Track |
| 9 | 8539110 | Handle, Dishrack |
| 10 | 3385088 | Wheel |
| 11 | 8268703 | Axle, Adjuster |
| 12 | 9741232 | Screw |
| 13 | W10082840 | Cover, Adjuster |
| 14 | 8281156 | Screw |
| 15 | W10082649 | Cupshelf |

FOR ORDERING INFORMATION REFER TO PARTS PRICE LIST

LOWER RACK PARTS

For Models: KUDC20CVBL0, KUDC20CVWH0, KUDC20CVSS0
 (Black) (White) (Stainless)

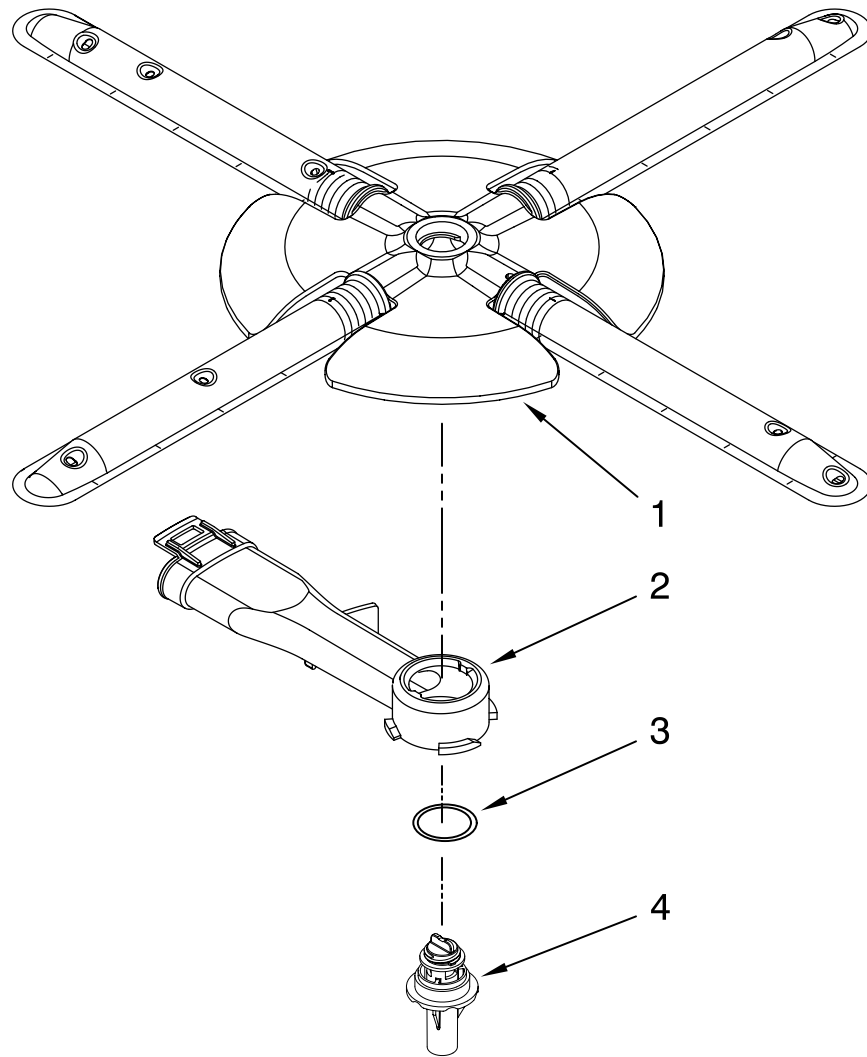


Illus. No.	Part No.	DESCRIPTION
1	8539257	Lower Rack
2	8519662	Lid, Basket
3	W10082868	Wheel & Transport Assembly
4	8562043	Basket, Silverware (Includes Item 2)
5	8519682	Tine Row
6	W10175279	Retainer, Tine Row

FOR ORDERING INFORMATION REFER TO PARTS PRICE LIST

LOWER WASHARM AND STRAINER PARTS

For Models: KUDC20CVBL0, KUDC20CVWH0, KUDC20CVSS0
(Black) (White) (Stainless)



Illus. No.	Part No.	DESCRIPTION
1	W10077965	Wash Arm Assembly
2	W10077899	Cap, Internal Rear Feed (Also Order Item 3)
3	8268340	Seal, Sprayarm
4	W10077898	Hub, Lower Sprayarm (Also Order Item 3)

FOR ORDERING INFORMATION REFER TO PARTS PRICE LIST

OPTIONAL PARTS (NOT INCLUDED)

For Models: KUDC20CVBL0, KUDC20CVWH0, KUDC20CVSS0
 (Black) (White) (Stainless)

Illus. No.	Part No.	DESCRIPTION	Illus. No.	Part No.	DESCRIPTION	Illus. No.	Part No.	DESCRIPTION
ACCESSORIES			<u>PAINT, TOUCH-UP (1/2oz.)</u>			<u>POWER CORD KIT</u>		
	8171656	White		72017	White		4317824	Power Cord Kit (Includes Power Cord & Misc. Hardware)
	8171657	Black		72032	Black			
	8171658	Biscuit		4392899	Biscuit			
	8171659	Stainless Steel		4396603	Meteorite			
			<u>PAINT, PRESSURIZED SPRAY (12 oz.)</u>			<u>ANTI-TIP KIT</u>		
	8212489	Black		350930	White		8171477	Floor Mount Kit
				285006	Superior Black	<u>DISHRACK REPAIR</u>		
				4392901	Biscuit			Tip Tine Repair Kit (Enough for Two Complete Dishracks)
			<u>PAINT, BULK (1 qt.)</u>				4396838	White
				799344	White (Uncut)		4396840	Grey
				4392900	Biscuit		4396854	Silver Atlantis

FOR ORDERING INFORMATION REFER TO PARTS PRICE LIST

Free Manuals Download Website

<http://myh66.com>

<http://usermanuals.us>

<http://www.somanuals.com>

<http://www.4manuals.cc>

<http://www.manual-lib.com>

<http://www.404manual.com>

<http://www.luxmanual.com>

<http://aubethermostatmanual.com>

Golf course search by state

<http://golfingnear.com>

Email search by domain

<http://emailbydomain.com>

Auto manuals search

<http://auto.somanuals.com>

TV manuals search

<http://tv.somanuals.com>