

# DOOR AND PANEL PARTS

For Models: KUDE48FXBL0, KUDE48FXWH0, KUDE48FXSS0

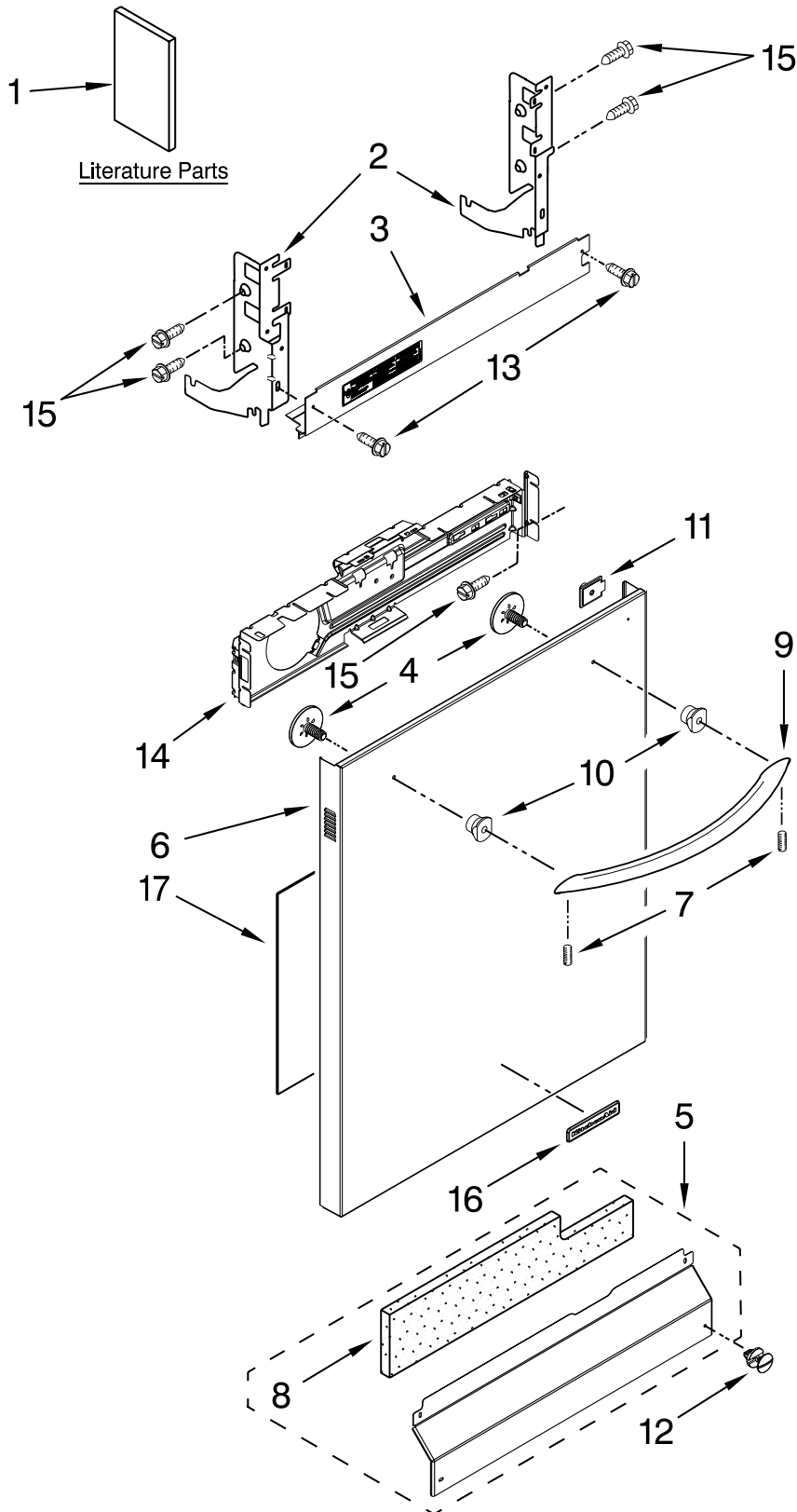
UNDERCOUNTER  
DISHWASHER

**KitchenAid®**

(Black)

(White)

(Stainless)



Illus. No.	Part No.	DESCRIPTION
1		Literature Parts
	W10321585	Instructions, Installation
	W10395349	Energy Guide
	W10300929	Guide, Use & Care English/French
	W10300597	Guide, Use & Care Spanish
	W10195613	Tech Sheet/English
	W10195614	Tech Sheet/French
2		Arm, Hinge
	8534854	Left
	8534853	Right
3	W10321449	Vapor Barrier Assembly
4	W10316572	Screw
5		Access Panel
	W10369024	Black
	W10369026	White
6		Panel, Full Front (Includes Items 4, 10, 16 & 17)
	W10195873	Black
	W10195872	White
	W10195870	Stainless
7	W10307614	Screw
8	W10073540	Insulation
9		Access Panel Handle Assembly (Includes Item 7)
	W10195735	Black
	W10195736	White
	W10195738	Stainless
10	W10195726	Stud, Mounting
11	W10319007	Light Pipe
12		Screw
	W10331789	Black
	W10331793	White
13	304392	Screw
14	W10194911	Bracket, Panel Control
15	3400071	Screw
16		Nameplate
	W10243392	Black
	W10243393	White
	W10243391	Stainless
17	W10315897	Insulation, Front Panel

FOR ORDERING INFORMATION REFER TO PARTS PRICE LIST

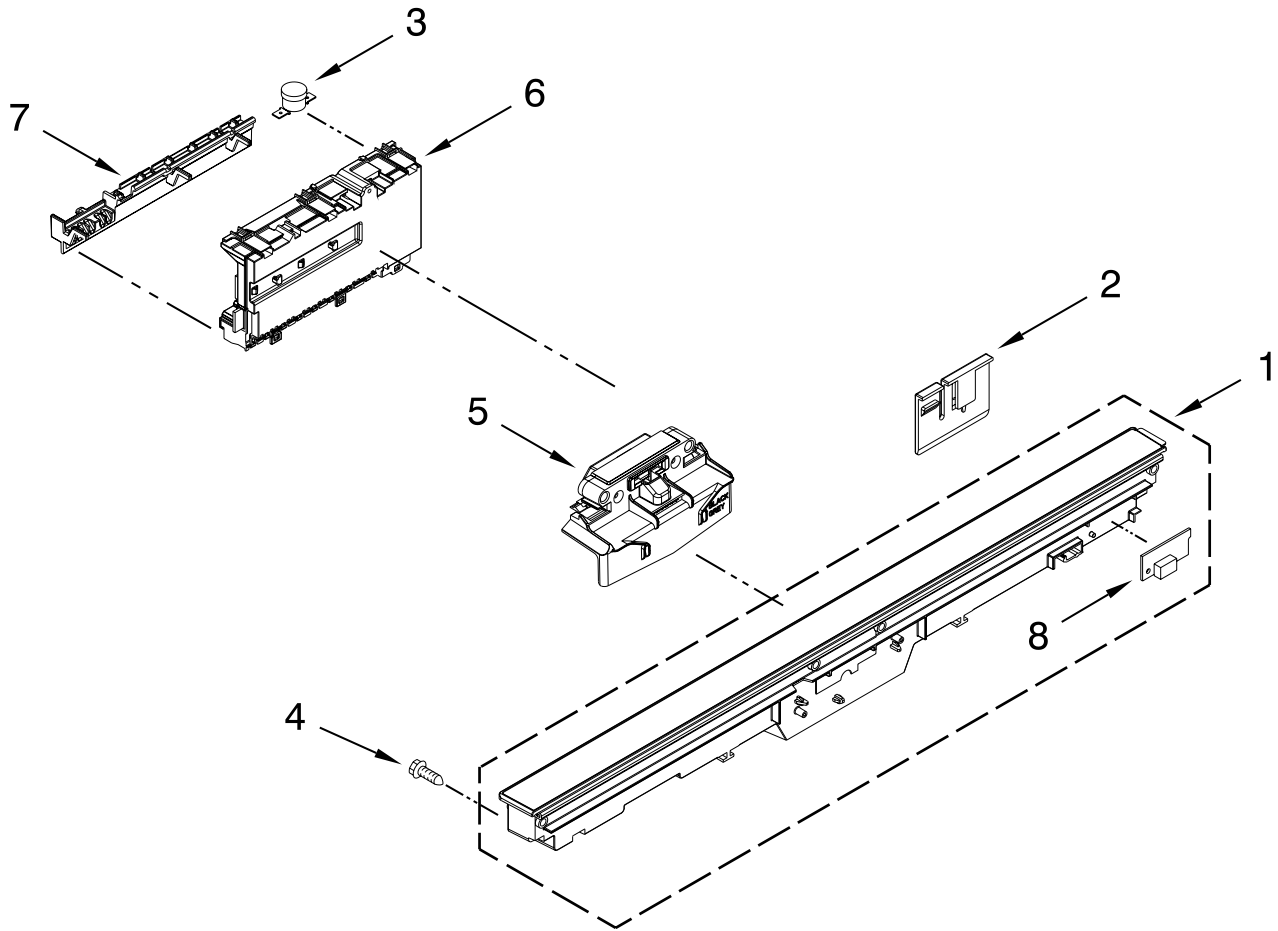
# CONTROL PANEL AND LATCH PARTS

For Models: KUDE48FXBL0, KUDE48FXWH0, KUDE48FXSS0

(Black)

(White)

(Stainless)

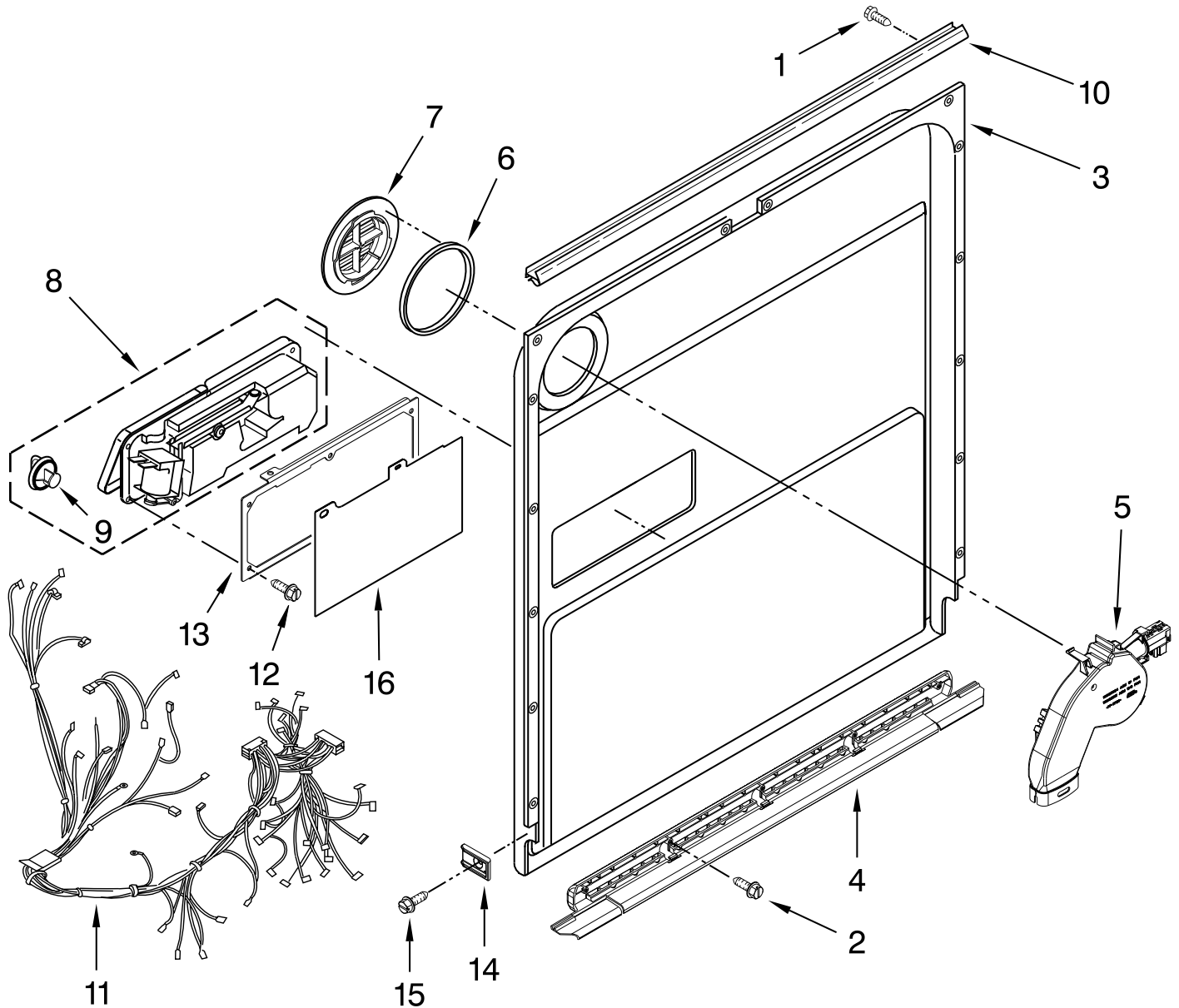


Illus. No.	Part No.	DESCRIPTION
1	W10195788 W10195791 W10195795	Console Assembly Black White Stainless
2	W10195237	Clip, Control
3	W10195528	Bi-Metal
4	3369051	Screw
5	W10195093	Latch Assembly (Includes Switch)
6	W10195343	Control, Electronic
7	W10194937	Brace, Connector
8	W10195836	Light, Status

FOR ORDERING INFORMATION REFER TO PARTS PRICE LIST

# INNER DOOR PARTS

For Models: KUDE48FXBLO, KUDE48FXWH0, KUDE48FXSS0  
(Black) (White) (Stainless)



Illus. No.	Part No.	DESCRIPTION
1	3369051	Screw, Door
2	8281217	Screw
3	W10195604	Inner Door & Mastic Assembly (Also Order Item 6)
4	W10195543	Seal-Door Bottom
5	W10195031	Vent Assembly (Also Order Item 6)

Illus. No.	Part No.	DESCRIPTION
6	8269259	Gasket, Vent
7	W10195032	Deflector, Vent (Also Order Item 6)
8	W10195174	Dispenser, Assembly
9	W10077881	Knob, Rinse Aid
10	W10195007	Seal, Console/Door

Illus. No.	Part No.	DESCRIPTION
11	W10195290	Wiring Harness
12	W10177098	Screw
13	8535637	Bracket Dispenser
14	W10195837	Barrier, Vapor Door
15	3400071	Screw
16	W10319030	Shield, Dispenser

FOR ORDERING INFORMATION REFER TO PARTS PRICE LIST

# FILL, DRAIN AND OVERFILL PARTS

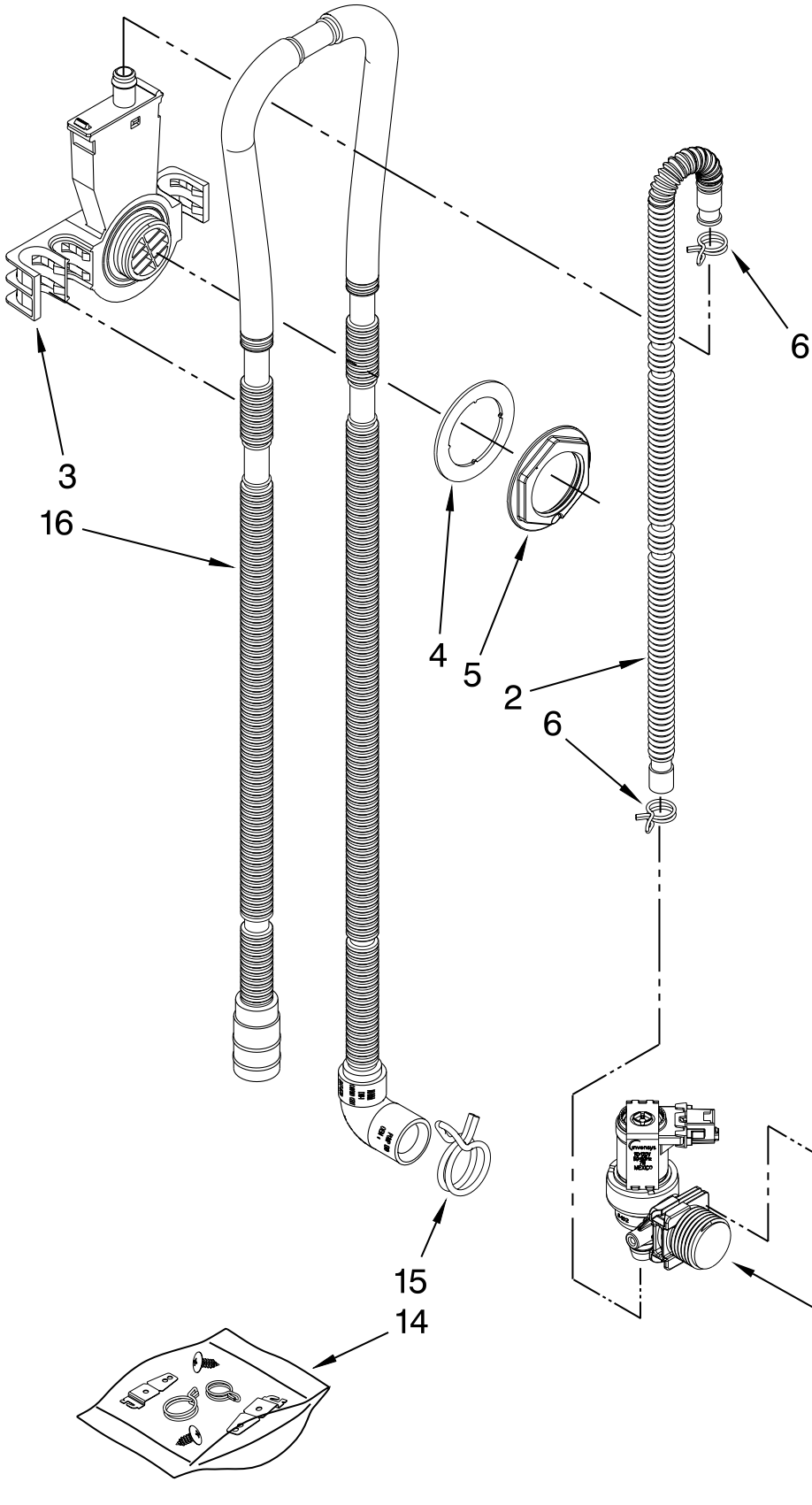
For Models: KUDE48FXBL0, KUDE48FXWH0, KUDE48FXSS0

(Black)

(White)

(Stainless)

Illus. No.	Part No.	DESCRIPTION
------------	----------	-------------

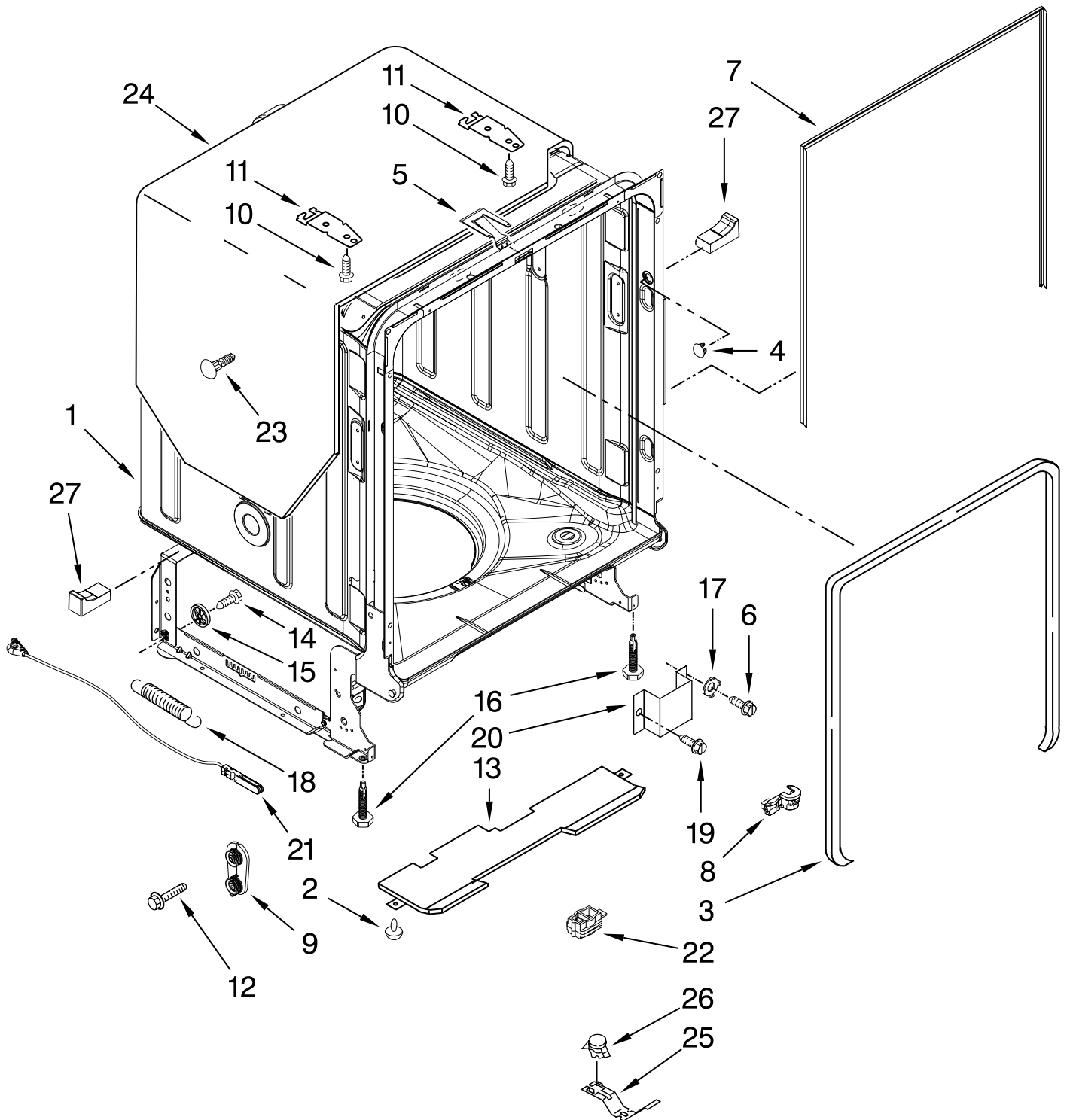


- |    |           |   |
|----|-----------|---|
| 1  | W10195037 | Lever, Overfill Switch  |
| 2  | 8531412   | Hose, Inlet   |
| 3  | W10195536 | Water Inlet (Also Order Items 4)  |
| 4  | 8531323   | Gasket  |
| 5  | W10213826 | Nut, Inlet (Also Order Item 4)  |
| 6  | 371505    | Clamp, Hose   |
| 7  | W10195047 | Fill Valve Assembly   |
| 8  | 304392    | Screw   |
| 9  | W10195039 | Switch, Overfill Control  |
| 10 | W10195035 | Standpipe, Overflow (Also Order #11)  |
| 11 | 8531743   | Gasket, Flat  |
| 12 | W10195038 | Nut, Standpipe  |
| 13 | W10195036 | Float & Retainer Assembly   |
| 14 | W10292152 | Miscellaneous Parts Bag (Contains 2 Hose Clamps, Screws & 2 Under Counter Brackets) |
| 15 | 356138    | Clamp, Hose   |
| 16 | W10195751 | Drain Loop with Check Valve Assembly  |

FOR ORDERING INFORMATION REFER TO PARTS PRICE LIST

# TUB AND FRAME PARTS

For Models: KUDE48FXBL0, KUDE48FXWH0, KUDE48FXSS0  
(Black) (White) (Stainless)



FOR ORDERING INFORMATION REFER TO PARTS PRICE LIST

# TUB AND FRAME PARTS

For Models: KUDE48FXBL0, KUDE48FXWH0, KUDE48FXSS0  
(Black)                      (White)                      (Stainless)

Illus. No.	Part No.	DESCRIPTION
1	W10194904	Tub Assembly (Also Includes Heater Assembly)
2	3400924	Retainer, Push
3	W10300924	Seal, Door
4	W10082838	Plug, Tub
5	W10300779	Strike, Plate
6	3400014	Screw
7	W10179427	Seal, Cabinet
8	8573061	Strain Relief
9	W10084086	Door, Balance Assembly
10	3367670	Screw
11	8269145	Bracket, Undercounter
12	3400074	Screw
13	W10195368	Insulation, Bottom
14	3370389	Screw
15	8268977	Wheel Leg
16	8524584	Leveler, Leg
17	3378128	Washer Pronged Cup
18	8270020	Spring, Door Balance
19	3400892	Screw
20	8268991	Cover, Terminal Box
21	W10158291	Cable, Door Assembly
22	W10292870	Protector
23	304666	Retainer, Push
24	8573240	Shield, Sound Tub
25	W10195090	Bracket, Thermostat
26	W10195091	Thermostat
27	W10195630	Spacer, Tub/Brace Left
	W10195631	Right

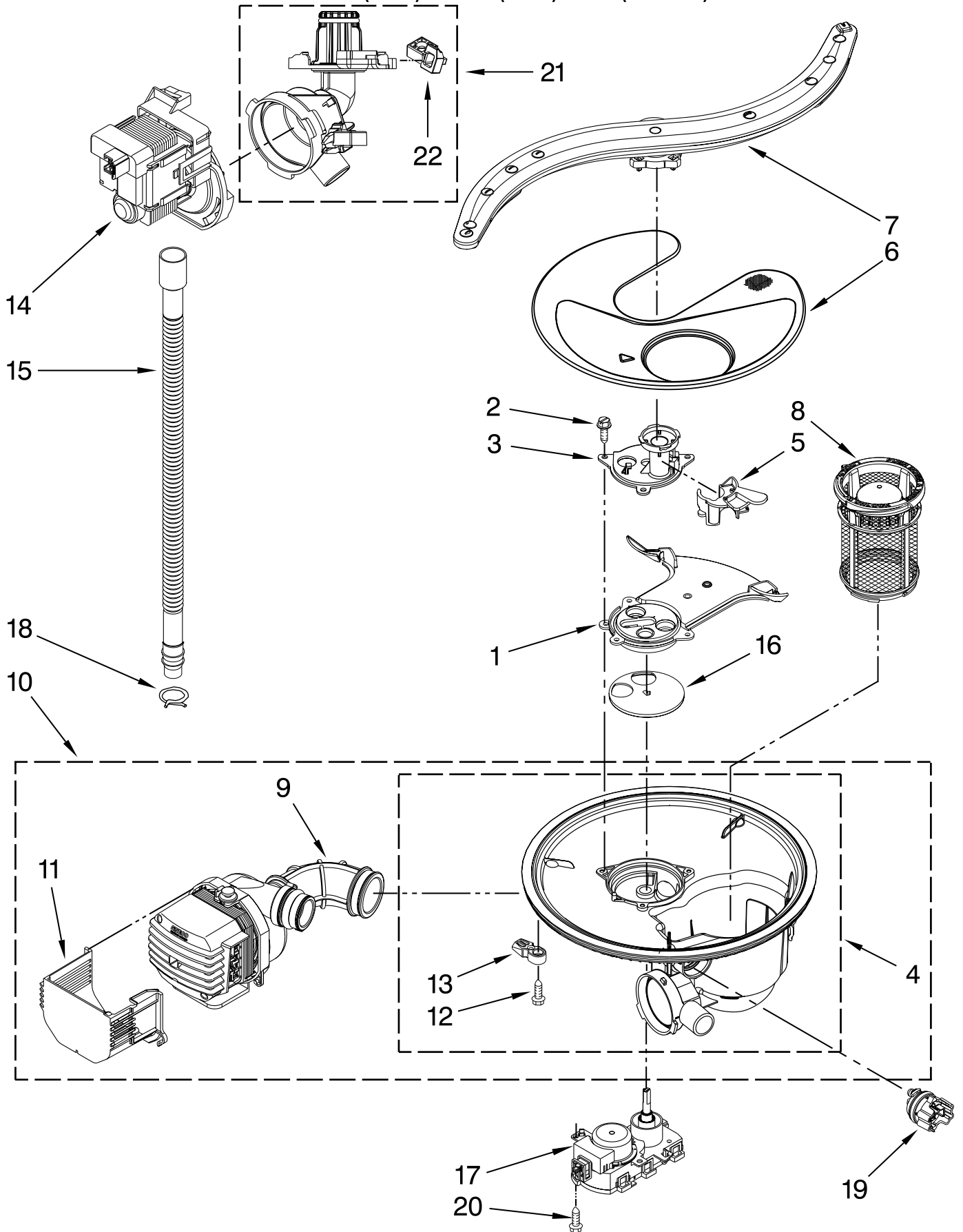
# PUMP, WASHARM AND MOTOR PARTS

For Models: KUDE48FXBL0, KUDE48FXWH0, KUDE48FXSS0

(Black)

(White)

(Stainless)



FOR ORDERING INFORMATION REFER TO PARTS PRICE LIST

# PUMP, WASHARM AND MOTOR PARTS

For Models: KUDE48FXBL0, KUDE48FXWH0, KUDE48FXSS0

(Black)

(White)

(Stainless)

<b>Illus.</b>	<b>Part</b>	
<b>No.</b>	<b>No.</b>	<b>DESCRIPTION</b>
1	8579241	Cover, Sieve
2	W10348405	Screw
3	W10311176	Cover, Outlet
4	W10208687	Sump With Seal (Includes Items 12, 13 and 2 Hose Clamps)
5	8579298	Retainer, Feed Tube
6	8579253	Screen
7	W10320512	Wash Arm Assembly
8	W10056426	Filter Cup, Assembly
9	8579311	Hose, Inlet (Includes 3 Hose Clamps)
10	W10328224	Motor & Sump Assy.
11	8579272	Shield, Motor
12	W10348407	Screw
13	8579289	Tab, Sump
14	W10158351	Pump, Drain
15	8269144	Hose, Drain
16	8579251	Disc-Valve Diverter
17	W10056349	Motor, Diverter Valve
18	8269146	Hose Clamp
19	W10134017	Optical Water Indicator
20	9741232	Screw
21	W10179455	De-Coupled Drain Assembly
22	W10179454	Block, Mounting



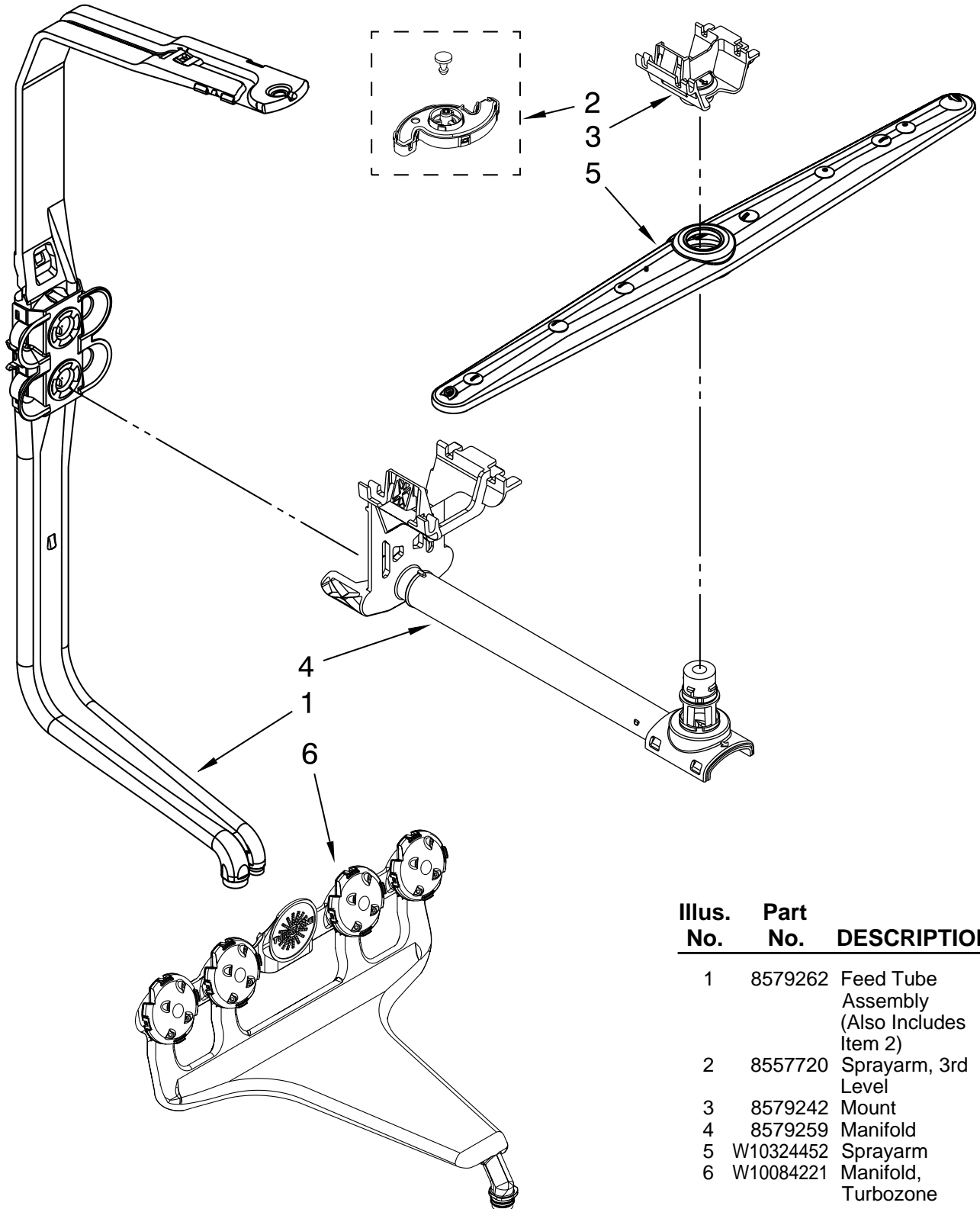
# UPPER WASH AND RINSE PARTS

For Models: KUDE48FXBL0, KUDE48FXWH0, KUDE48FXSS0

(Black)

(White)

(Stainless)

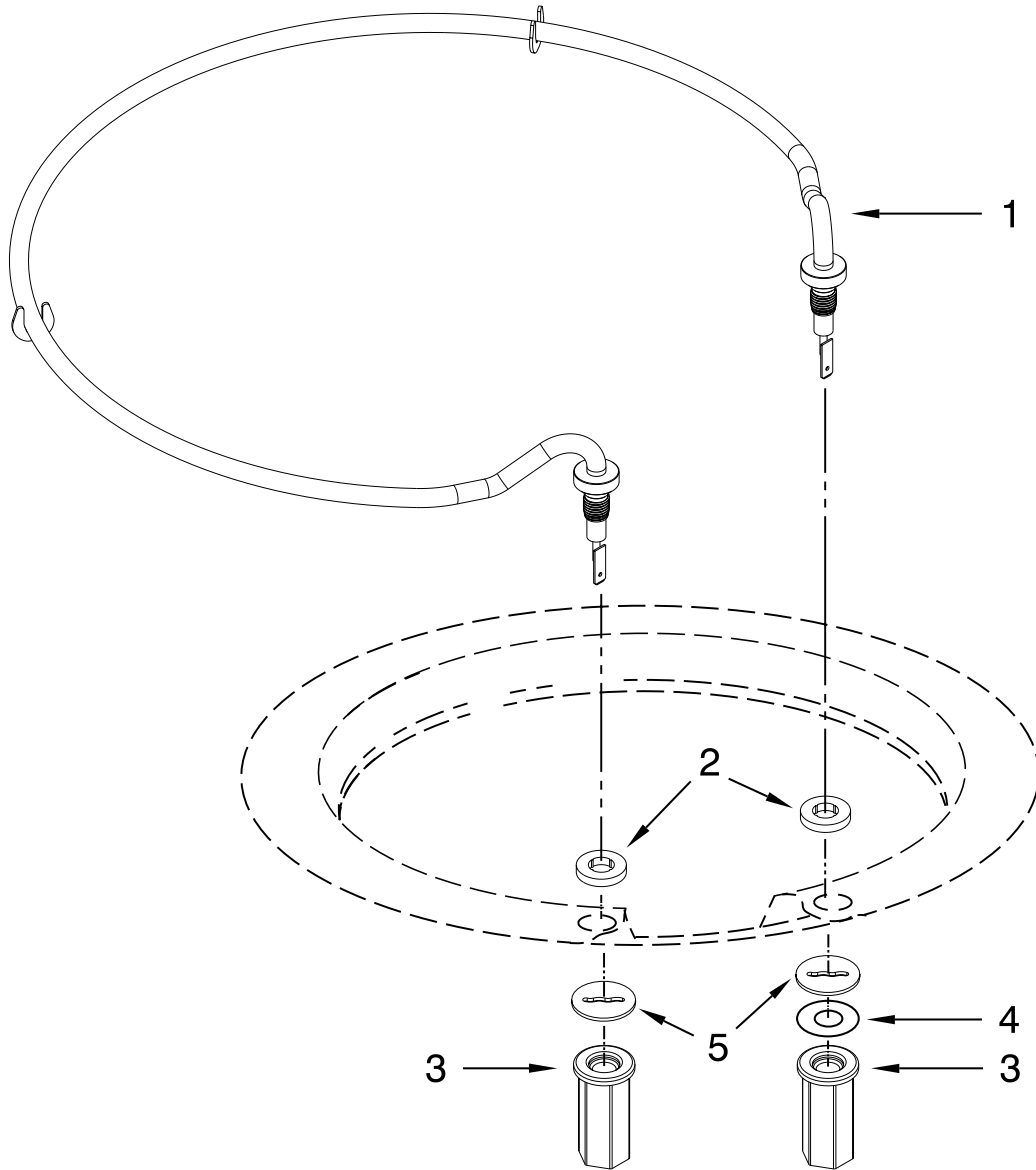


Illus. No.	Part No.	DESCRIPTION
1	8579262	Feed Tube Assembly (Also Includes Item 2)
2	8557720	Sprayarm, 3rd Level
3	8579242	Mount
4	8579259	Manifold
5	W10324452	Sprayarm
6	W10084221	Manifold, Turbozone

FOR ORDERING INFORMATION REFER TO PARTS PRICE LIST

# HEATER PARTS

For Models: KUDE48FXBL0, KUDE48FXWH0, KUDE48FXSS0  
 (Black) (White) (Stainless)



Illus. No.	Part No.	DESCRIPTION
1	W10195052	Heater Element Assembly (Also Includes Item 2)
2	717273	Washer, Heater Element
3	8268548	Nut, Heater Element
4	3400931	Retainer, Spring Grip
5	W10343251	Shield, Heater Nut

**NOTE:** If heater element is removed, it must be replaced.

FOR ORDERING INFORMATION REFER TO PARTS PRICE LIST

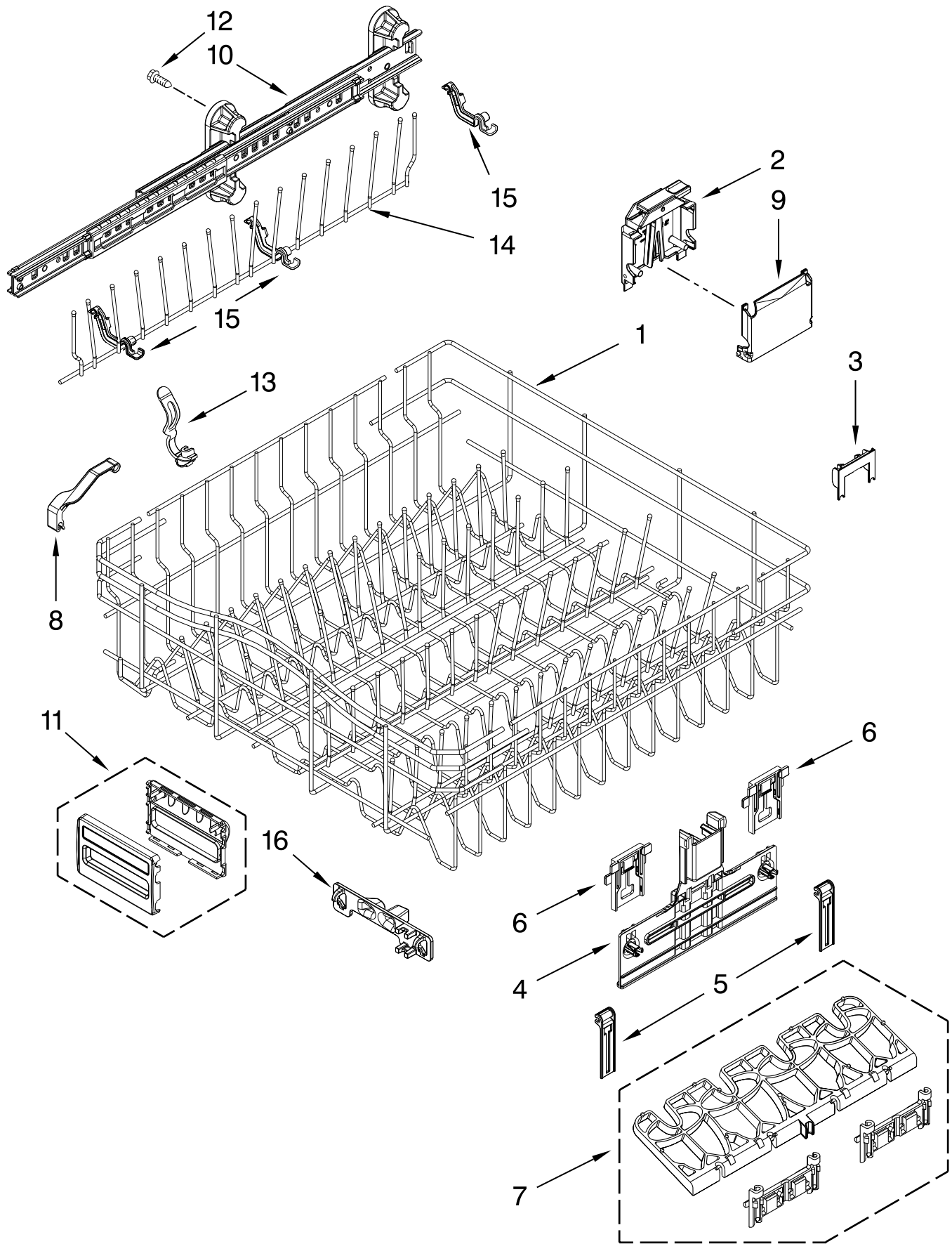
# UPPER RACK AND TRACK PARTS

For Models: KUDE48FXBL0, KUDE48FXWH0, KUDE48FXSS0

(Black)

(White)

(Stainless)



FOR ORDERING INFORMATION REFER TO PARTS PRICE LIST

# UPPER RACK AND TRACK PARTS

For Models: KUDE48FXBL0, KUDE48FXWH0, KUDE48FXSS0

(Black)

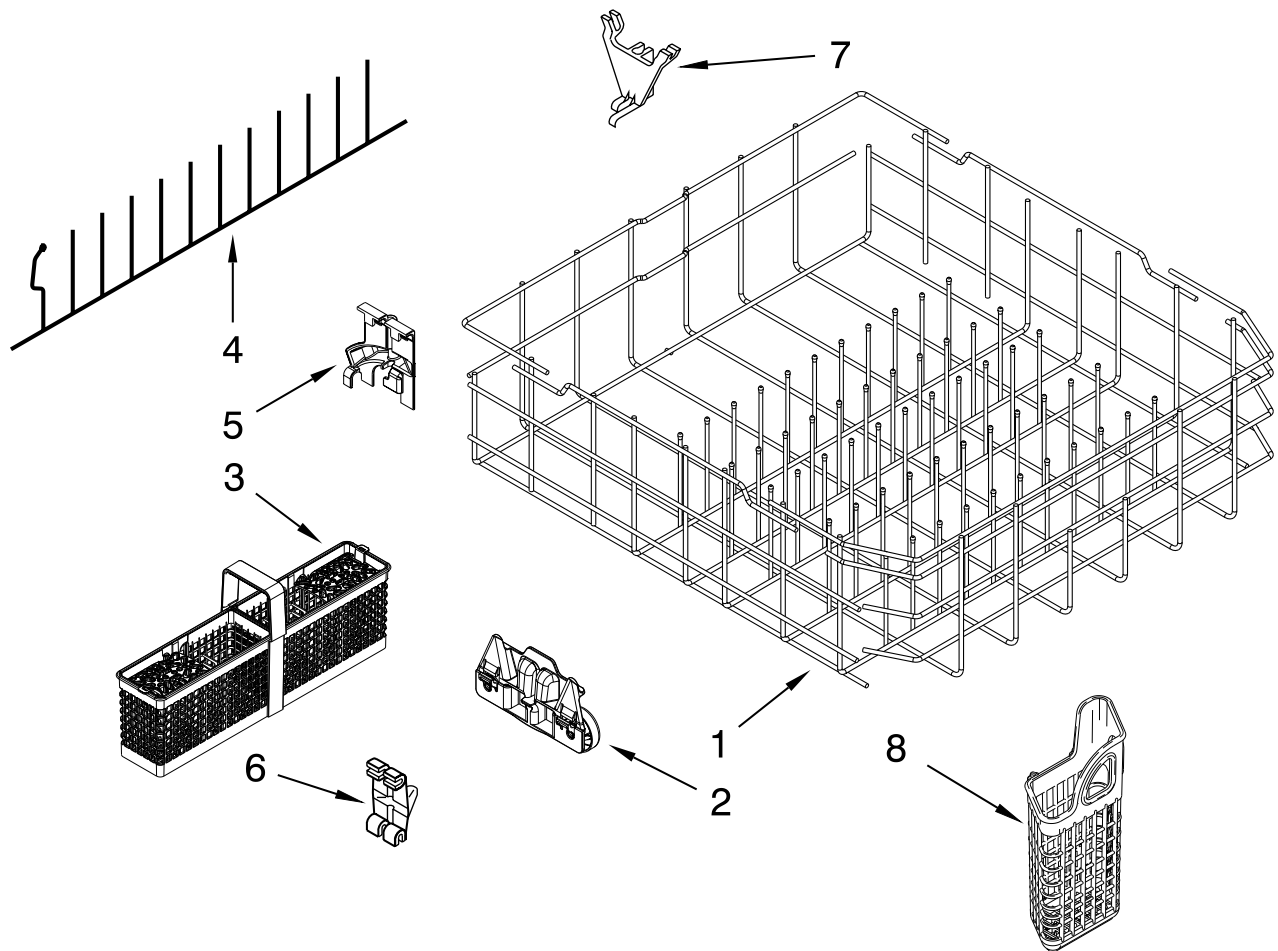
(White)

(Stainless)

<b>Illus.</b>	<b>Part</b>	
<b>No.</b>	<b>No.</b>	<b>DESCRIPTION</b>
1	W10312791	Dishrack, Upper
2		Housing, Adjuster
	W10320664	Left Hand
	W10320665	Right Hand
3	W10250160	Clip-Lock
		Adjuster Arm
4	W10306646	Adjuster Assembly
5	W10195839	Strap, Tether
		Adjuster
6	W10195840	Positioner,
		Adjuster
7	W10082649	Cup, Shelft
8	W10267076	Clip, Dispenser
		Guard
9	W10250162	Cover, Adjuster
10		Track, Assembly
	W10311156	Lava Rail, RH
	W10311157	Lava Rail, LH
11	W10282826	Handle,
		Dishrack
12	W10309090	Screw
13	W10077844	Clip,
		No Flip
14	8562030	Tine Row
15	W10082853	Clip, Pivot
16	8539102	Positioner, Dual

# LOWER RACK PARTS

For Models: KUDE48FXBL0, KUDE48FXWH0, KUDE48FXSS0  
 (Black) (White) (Stainless)



Illus. No.	Part No.	DESCRIPTION
1	W10056271	Lower Rack
2	W10195416	Wheel & Transport Assembly
3	W10195723	Basket, Silverware
4	W10056272	Tine, Row
5	W10078215	Retainer, Tine Row (Combo)
6	W10175279	Retainer, Tine Row
7	W10078227	Retainer, Tine Row
8	W10195661	Basket, Utensil

FOR ORDERING INFORMATION REFER TO PARTS PRICE LIST

# OPTIONAL PARTS (NOT INCLUDED)

For Models: KUDE48FXBL0, KUDE48FXWH0, KUDE48FXSS0

(Black)

(White)

(Stainless)

Illus. No.	Part No.	DESCRIPTION
------------	----------	-------------

## ACCESSORIES

### Side Panel Kits

8171656 White  
8171657 Black  
8171658 Biscuit  
8171659 Stainless Steel

### Custom Panel & Trim Kit

8212489 Black

### Architect II Handles

W10195738A Stainless Steel  
W10195735A Black  
W10195736A White  
W10195737A Biscuit

### Drain Hose

3385556 12 Ft.

### Vinyl Touch-Up (4oz.)

676453 White  
676455 Grey  
4396853 Silver Atlantis

### Moisture Barrier Kit

4396277 Kit

Illus. No.	Part No.	DESCRIPTION
------------	----------	-------------

## PAINT, TOUCH-UP (1/2oz.)

72017 White  
72032 Black  
4392899 Biscuit  
4396603 Meteorite

## PAINT, PRESSURIZED SPRAY (12 oz.)

350930 White  
285006 Superior Black  
4392901 Biscuit

## PAINT, BULK (1 qt.)

799344 White (Uncut)  
4392900 Biscuit

Illus. No.	Part No.	DESCRIPTION
------------	----------	-------------

## POWER CORD KIT

4317824 Power Cord Kit  
(Includes Power  
Cord & Misc.  
Hardware)

## ANTI-TIP KIT

8171477 Floor Mount Kit  
8212560 Side Mount Kit

## DISHRACK REPAIR

4396838 White  
4396840 Grey  
4396854 Silver Atlantis

## Free Manuals Download Website

<http://myh66.com>

<http://usermanuals.us>

<http://www.somanuals.com>

<http://www.4manuals.cc>

<http://www.manual-lib.com>

<http://www.404manual.com>

<http://www.luxmanual.com>

<http://aubethermostatmanual.com>

Golf course search by state

<http://golfingnear.com>

Email search by domain

<http://emailbydomain.com>

Auto manuals search

<http://auto.somanuals.com>

TV manuals search

<http://tv.somanuals.com>