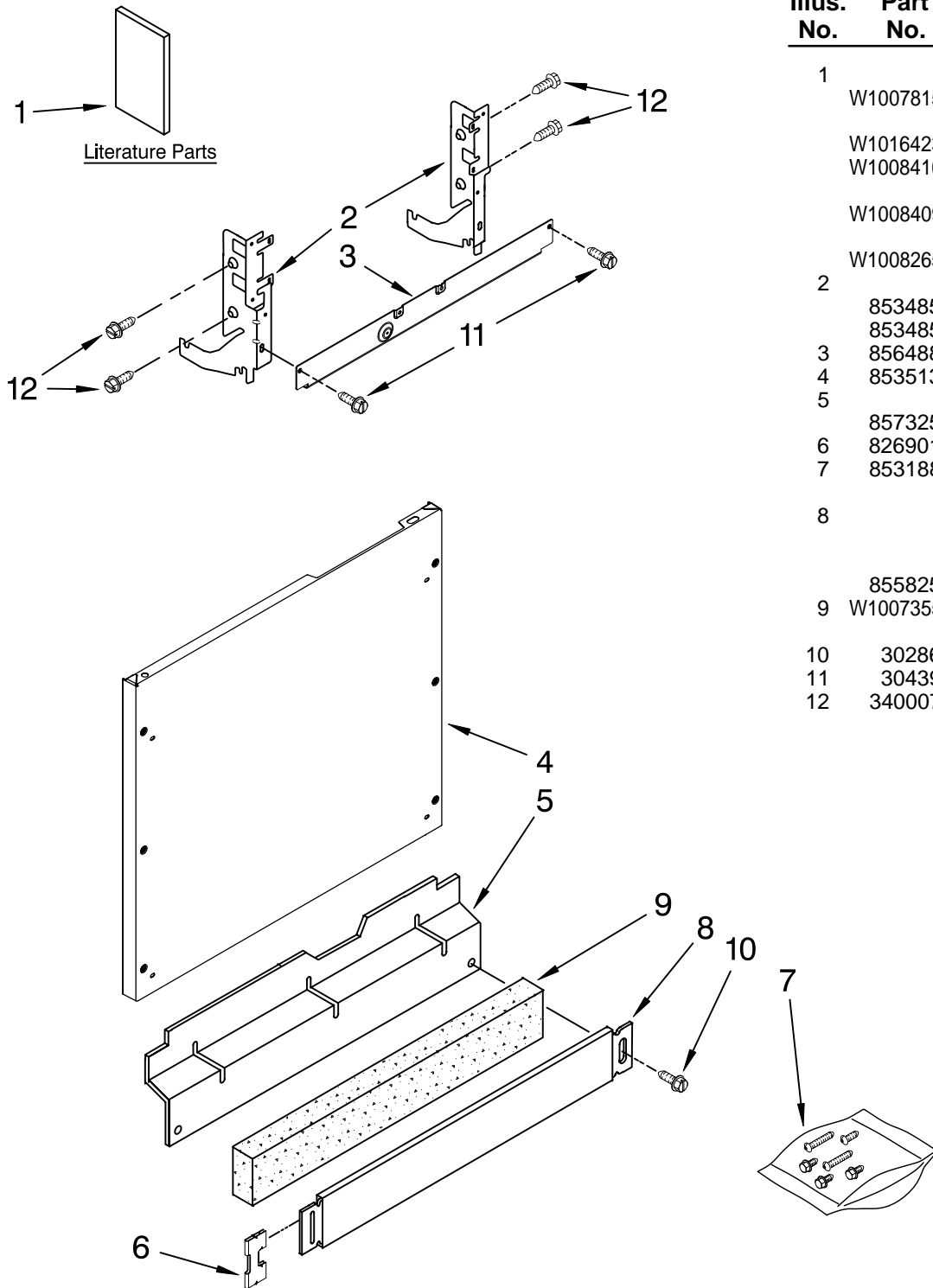


KitchenAid® DOOR AND PANEL PARTS

For Model: KUDU03FPA2
(Panel Ready)

UNDERCOUNTER
DISHWASHER



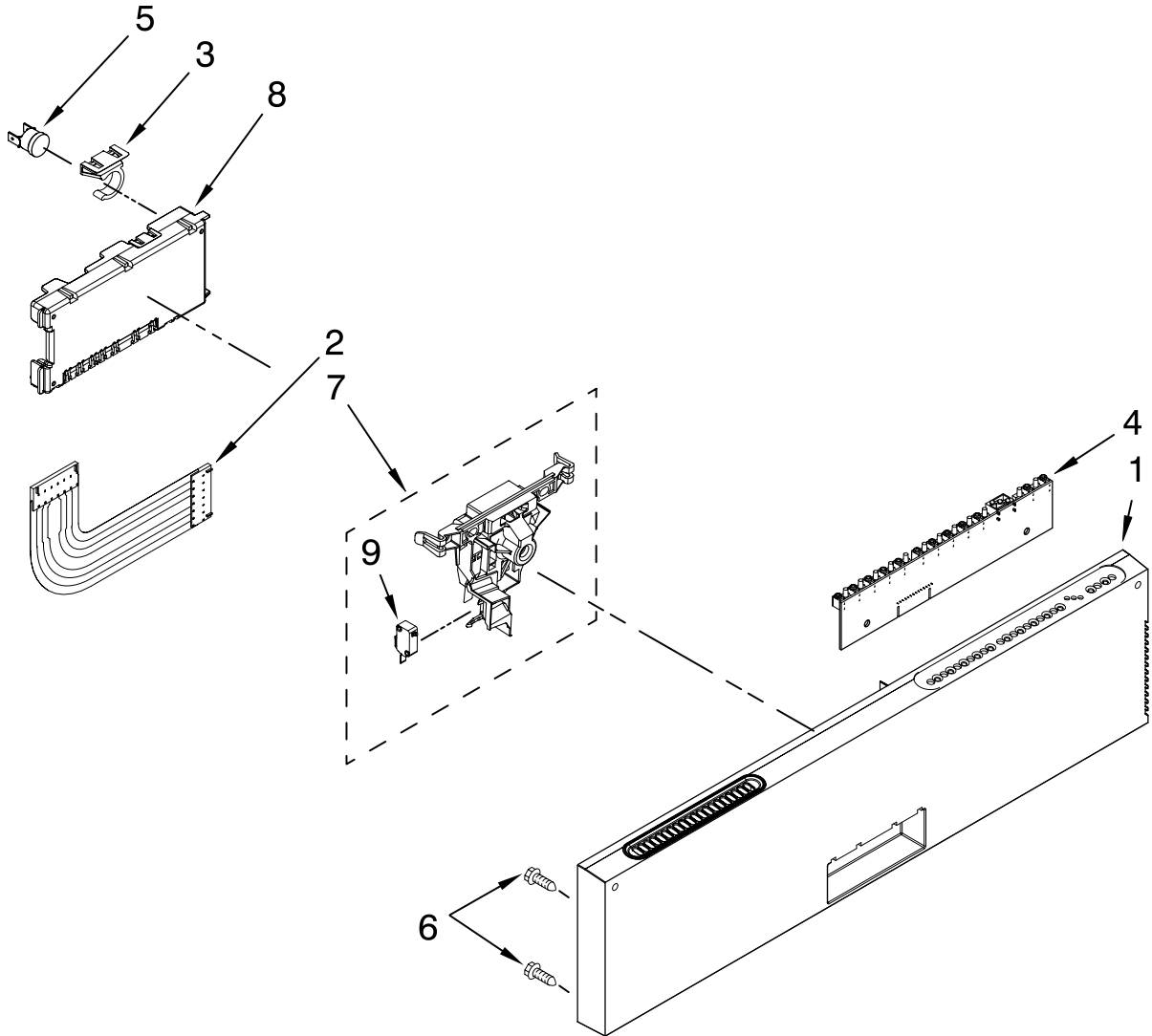
Illus. No.	Part No.	DESCRIPTION
1		Literature Parts
	W10078153	Instructions, Installation
	W10164239	Energy Guide
	W10084169	Guide, Use & Care Spanish
	W10084091	Guide, Use & Care English/French
	W10082651	Tech Sheet
2		Arm, Hinge
	8534854	Left
	8534853	Right
3	8564886	Stiffener, Door
4	8535133	Panel, Front
5		Access Panel
	8573255	Black
6	8269016	Clip, Grounding
7	8531882	Screws, Bag
8		Door Assembly
		Toe Panel
		(Includes Item 6 & 9)
	8558252	Black
9	W10073550	Insulation, Toe Panel
10	302868	Screw
11	304392	Screw
12	3400071	Screw

FOR ORDERING INFORMATION REFER TO PARTS PRICE LIST

CONTROL PANEL PARTS

For Model: KUDU03FTPA2

(Panel Ready)



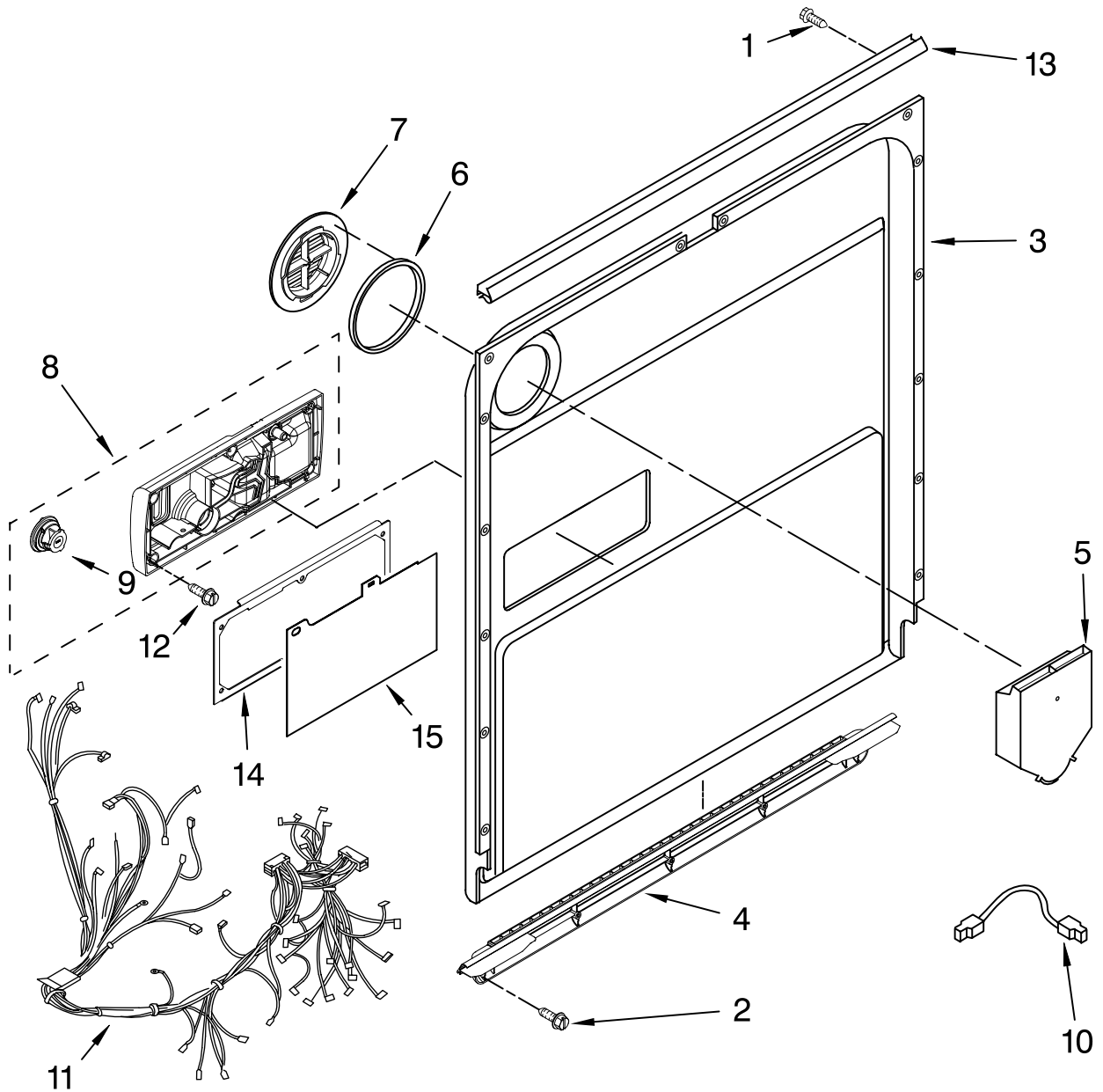
Illus. No.	Part No.	DESCRIPTION
1	W10084183	Console Assembly (Includes Insert)
2	8524447	Cable, Ribbon
3	8546546	Clip, BI-Metal
4	W10111537	User Interface
5	661663	BI-Metal
6	3369051	Screw (6)
7	W10077360	Latch Assembly
8	W10084141	Control, Electronic
9	W10134019	Switch, Door

FOR ORDERING INFORMATION REFER TO PARTS PRICE LIST

DOOR AND LATCH PARTS

For Model: KUDU03FTPA2

(Panel Ready)



Illus. No.	Part No.	DESCRIPTION
1	3369051	Screw, Door
2	8281217	Screw
3	W10084288	Inner Door Mastic Assembly (Also Order Item 6)
4	W10077883	Inlet, Air
5	8572611	Vent Assembly (Also Order Item 6)

Illus. No.	Part No.	DESCRIPTION
6	8269259	Gasket, Vent
7	W10077877	Deflector, Vent (Also Order Item 6)
8	W10077882	Dispenser, Assembly
9	W10077881	Knob, Rinse Aid
10	8545608	Harness, Vent Motor

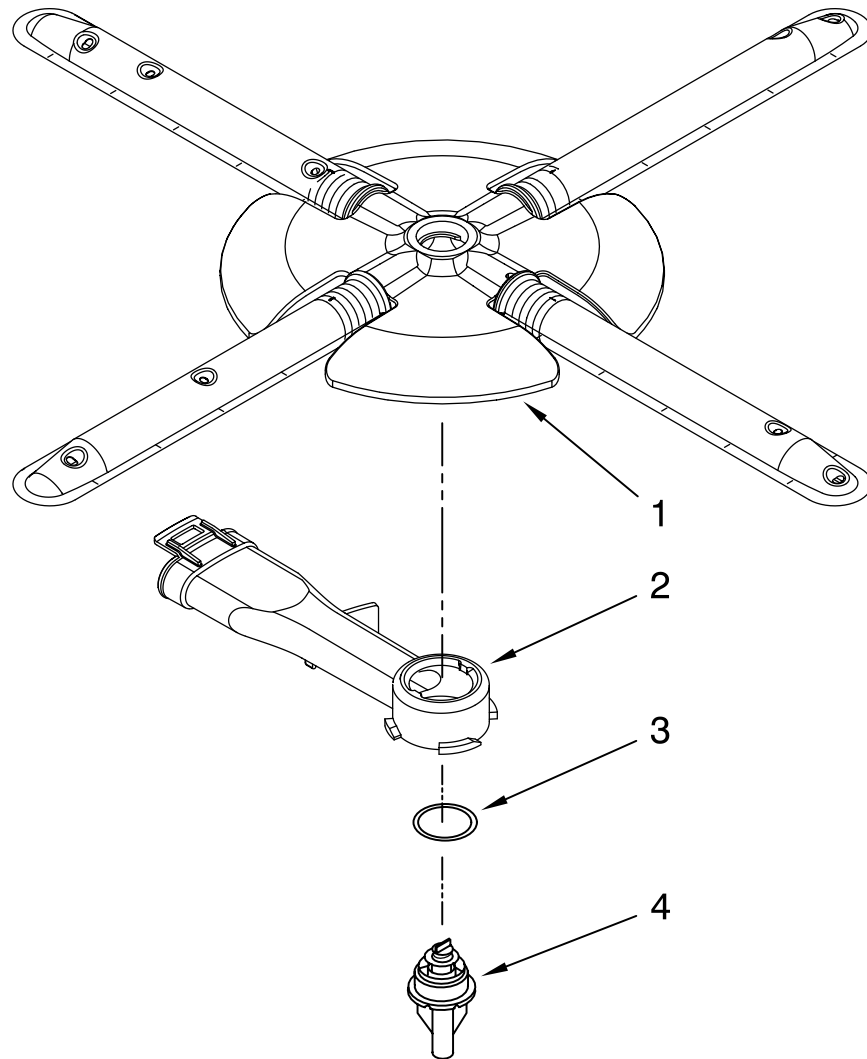
Illus. No.	Part No.	DESCRIPTION
11	W10078202	Wiring Harness
12	8281154	Screw
13	8535660	Seal, Console/door
14	8535637	Bracket, Dispenser
15	8531865	Shield, Dispenser

FOR ORDERING INFORMATION REFER TO PARTS PRICE LIST

LOWER WASHARM AND STRAINER PARTS

For Model: KUDU03FTP2

(Panel Ready)



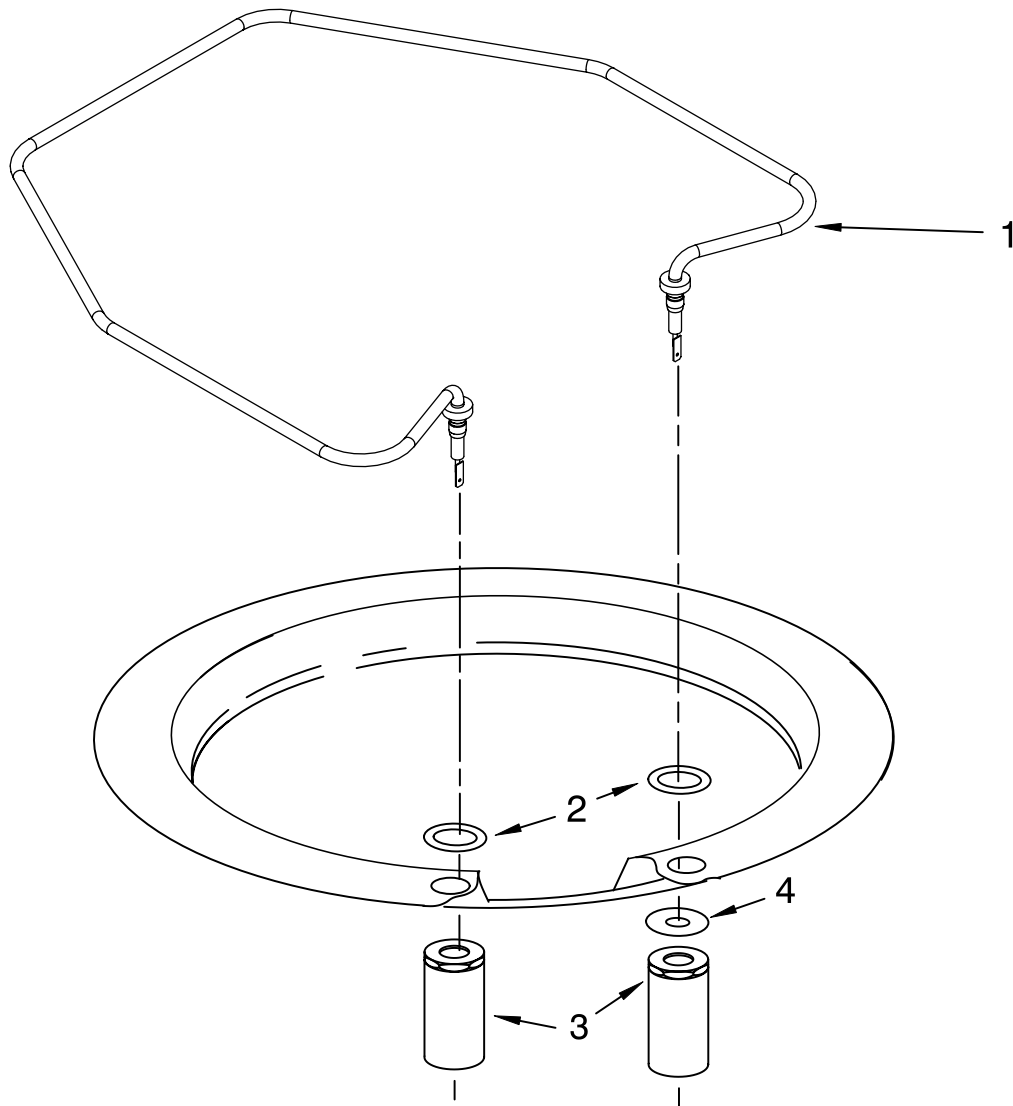
Illus. No.	Part No.	DESCRIPTION
1	W10077965	Wash Arm Assembly
2	W10077899	Cap, Internal Rear Feed (Also Order Item 3)
3	8268340	Seal, Sprayarm
4	W10077898	Hub, Lower Sprayarm (Also Order Item 3)

FOR ORDERING INFORMATION REFER TO PARTS PRICE LIST

HEATER PARTS

For Model: KUDU03FTPA2

(Panel Ready)



Illus. No.	Part No.	DESCRIPTION
1	8537057	Heater Element Assembly (Also Includes Item 2)
2	717273	Washer, Heater Element
3	8268548	Nut, Heater Element
4	3400931	Retainer, Spring Grip

NOTE: If heater element is removed, it must be replaced.

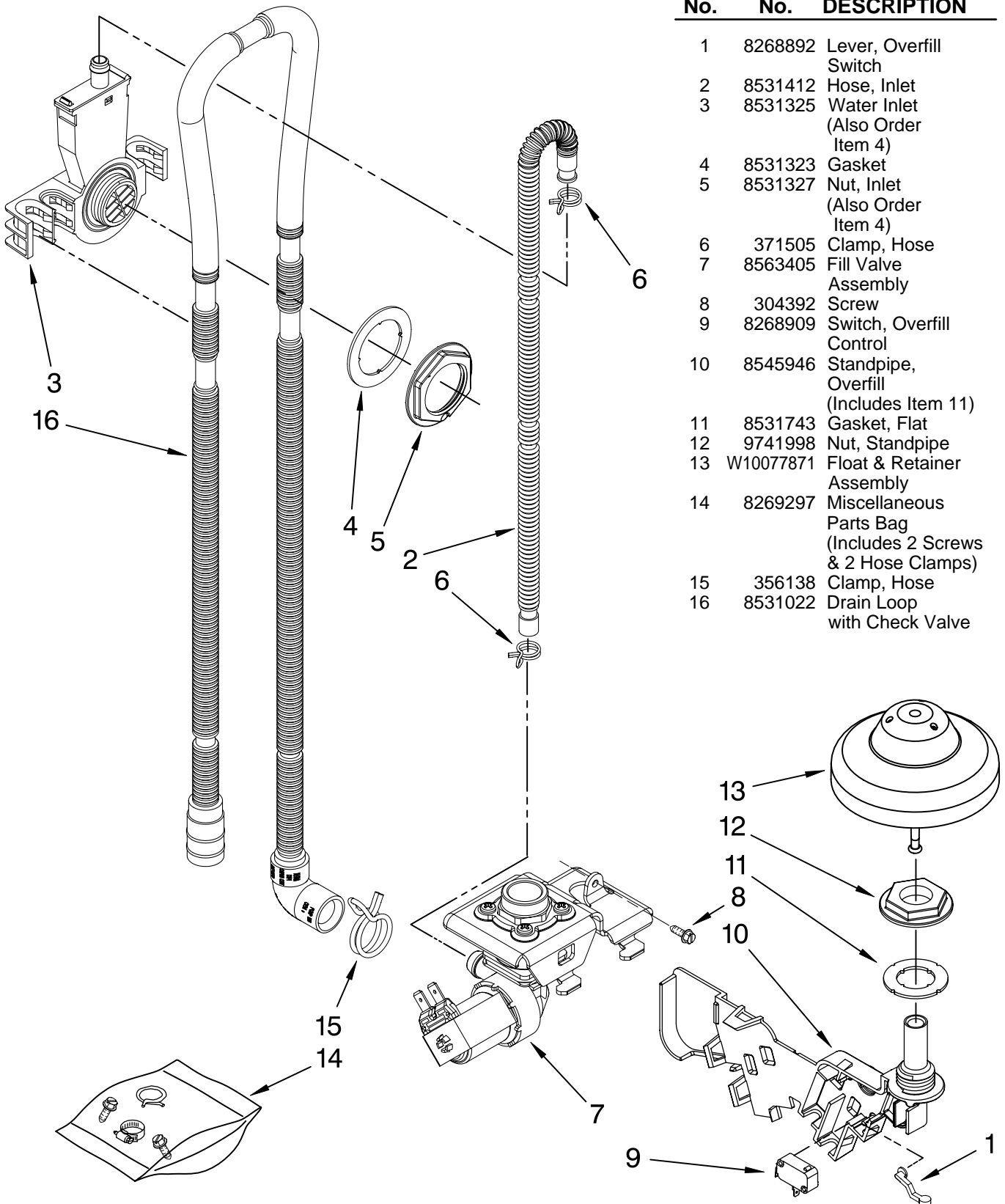
FOR ORDERING INFORMATION REFER TO PARTS PRICE LIST

FILL, DRAIN AND OVERFILL PARTS

For Model: KUDU03FTPA2

(Panel Ready)

Illus. No.	Part No.	DESCRIPTION
1	8268892	Lever, Overfill Switch
2	8531412	Hose, Inlet
3	8531325	Water Inlet (Also Order Item 4)
4	8531323	Gasket
5	8531327	Nut, Inlet (Also Order Item 4)
6	371505	Clamp, Hose
7	8563405	Fill Valve Assembly
8	304392	Screw
9	8268909	Switch, Overfill Control
10	8545946	Standpipe, Overfill (Includes Item 11)
11	8531743	Gasket, Flat
12	9741998	Nut, Standpipe
13	W10077871	Float & Retainer Assembly
14	8269297	Miscellaneous Parts Bag (Includes 2 Screws & 2 Hose Clamps)
15	356138	Clamp, Hose
16	8531022	Drain Loop with Check Valve

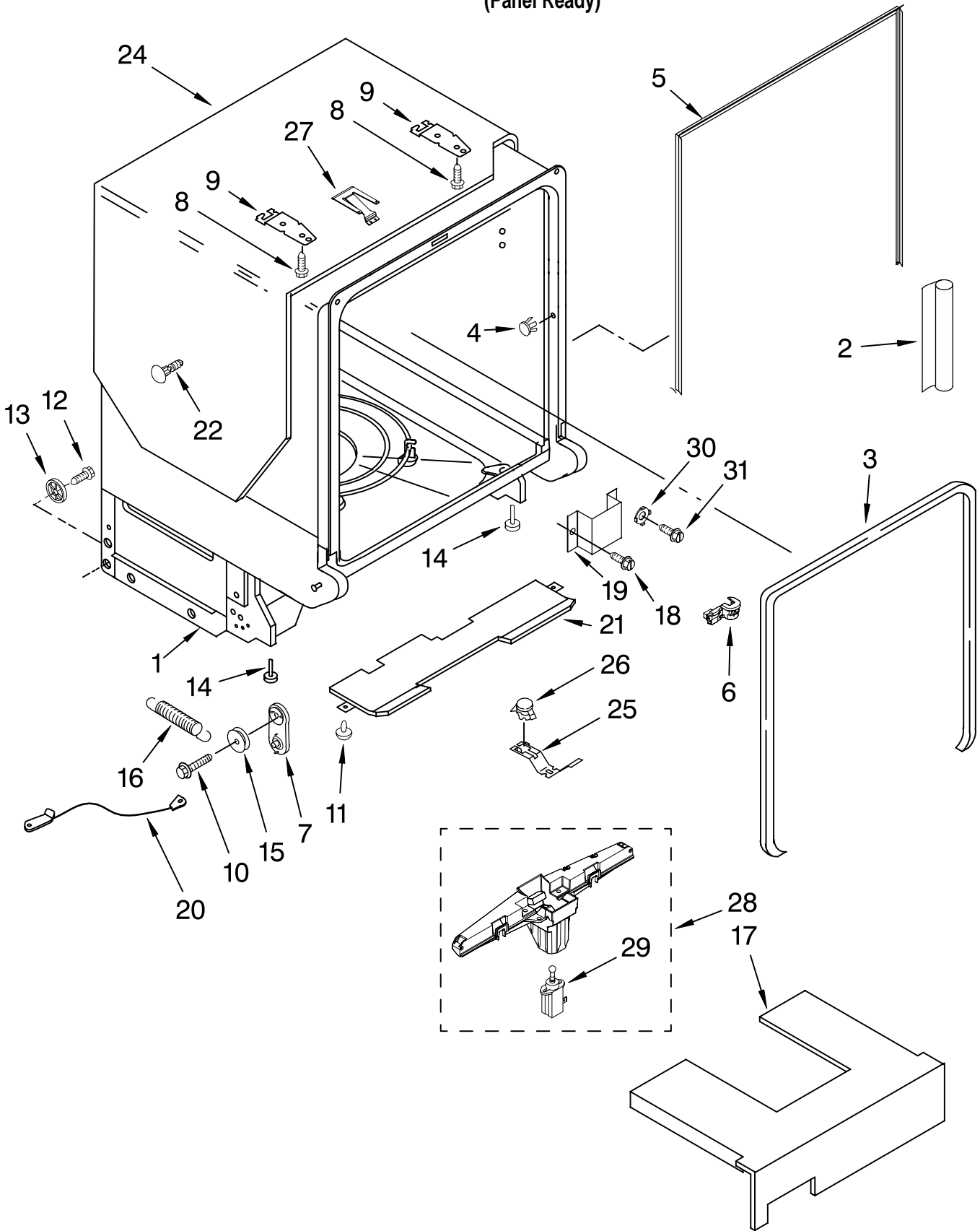


FOR ORDERING INFORMATION REFER TO PARTS PRICE LIST

TUB AND FRAME PARTS

For Model: KUDU03FTPA2

(Panel Ready)



FOR ORDERING INFORMATION REFER TO PARTS PRICE LIST

W10163112

TUB AND FRAME PARTS

For Model: KUDU03FTPA2

(Panel Ready)

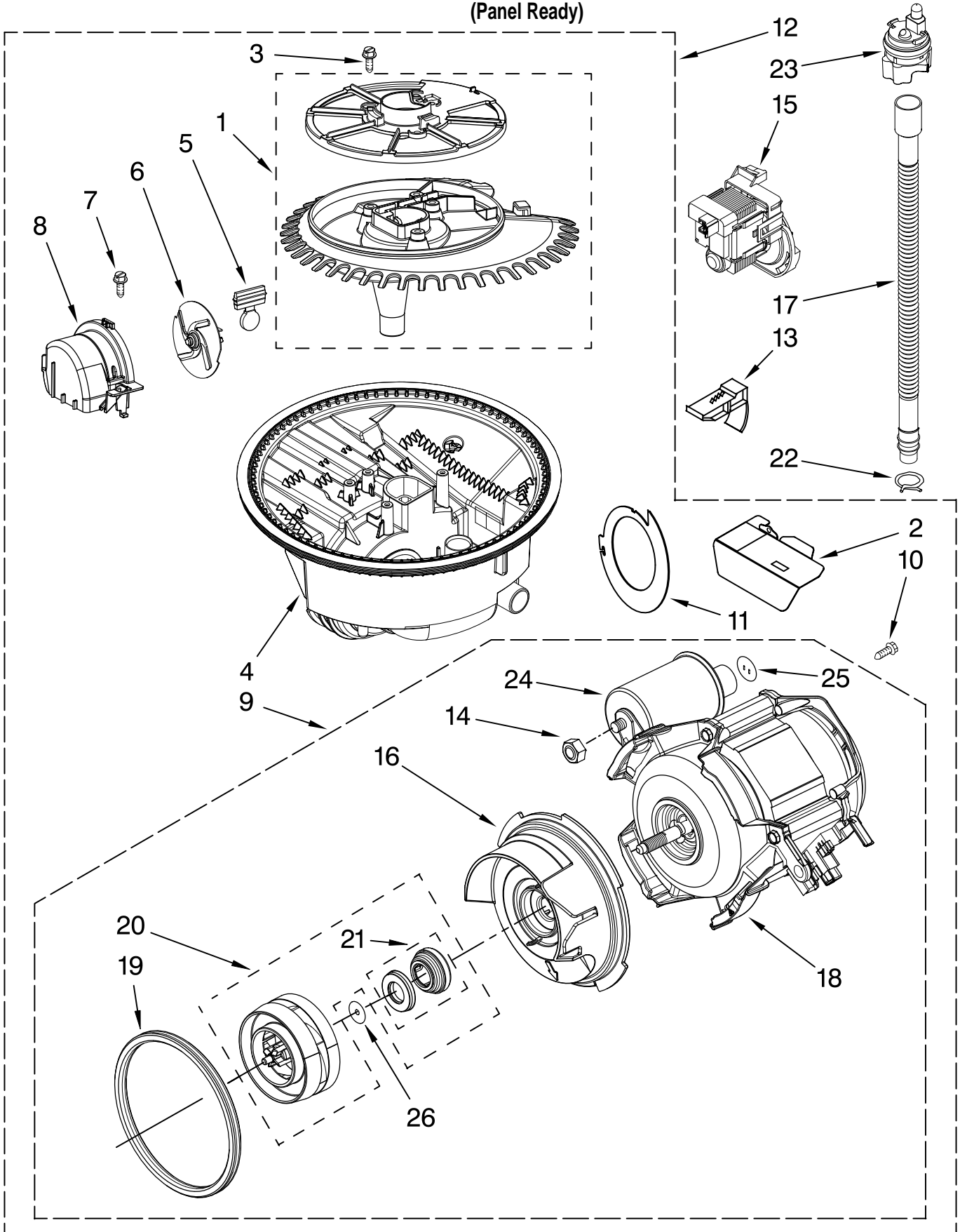
Illus. No.	Part No.	DESCRIPTION
1	W10084284	Tub Assembly
2	8574123	Barrier, Moisture Undercounter
3	W10112096	Door Seal
4	W10082838	Plug Tub
5	8269110	Seal, Cabinet
6	8573061	Strain Relief
7	8270021	Mount, Door Balance
8	3367670	Screw
9	8269145	Bracket, Undercounter
10	3400074	Screw
11	3400924	Retainer, Push-in
12	3370389	Screw
13	8268977	Wheel Leg
14	8524584	Leveler, Leg
15	8524474	Wheel, door Balance
16	8270020	Spring, Door Balance
17	8545574	Absorber, Sound
18	3400892	Screw
19	8268991	Cover, Terminal Box
20	8535568	Link, Door Balance
21	8268582	Insulator, Sound
22	304666	Retainer, Push
24	8573239	Shield, Sound Tub
25	9742648	Bracket, Thermostat
26	661566	Thermostat
27	W10077370	Strike, Latch
28	8572661	Actuator Assembly
29	W10082769	Motor, Wax
30	3378128	Washer, Pronged Cup
31	3400014	Screw

FOR ORDERING INFORMATION REFER TO PARTS PRICE LIST

PUMP AND MOTOR PARTS

For Model: KUDU03FTP A2

(Panel Ready)



FOR ORDERING INFORMATION REFER TO PARTS PRICE LIST

PUMP AND MOTOR PARTS

For Model: KUDU03FTPA2

(Panel Ready)

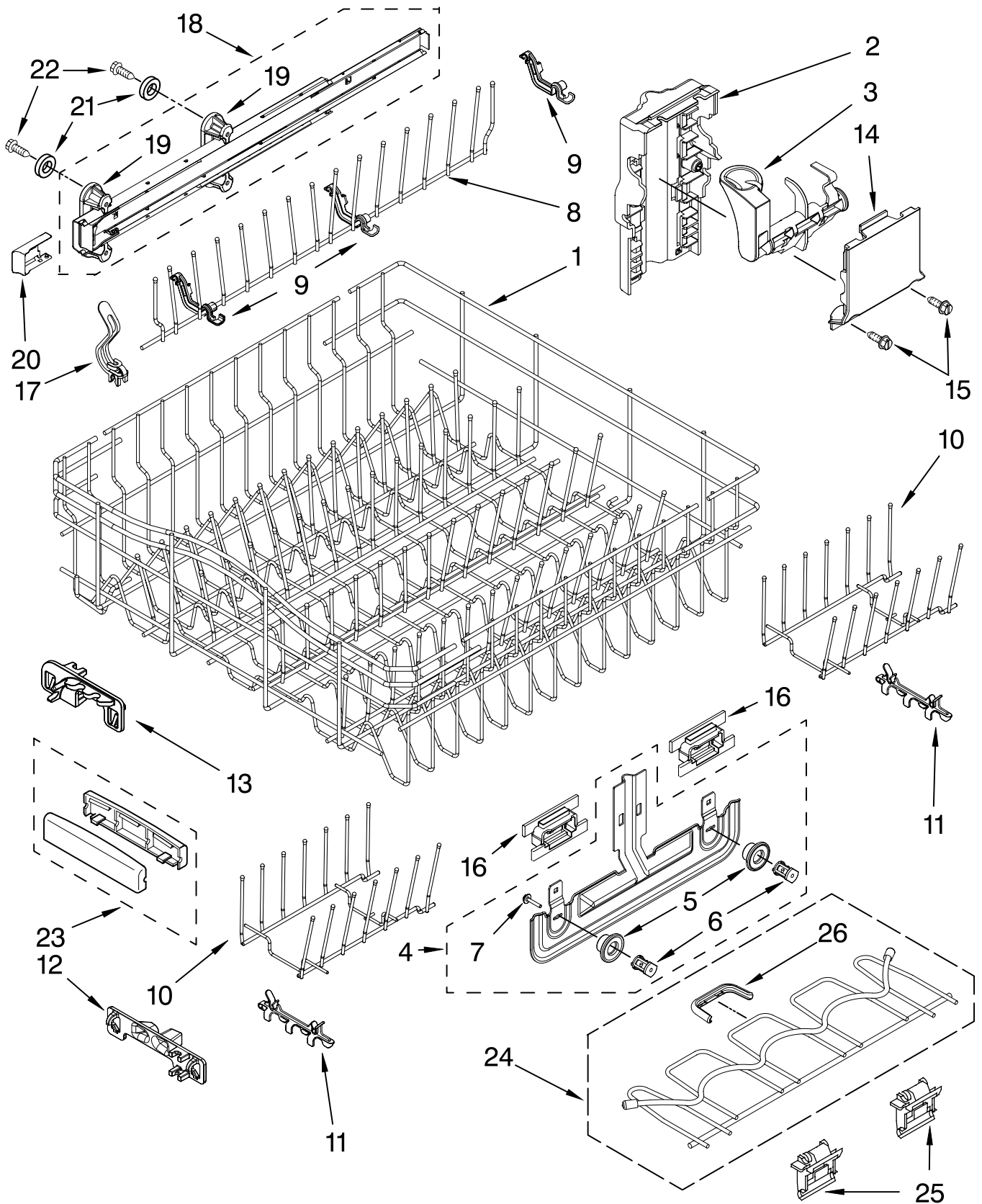
<u>Illus.</u> <u>No.</u>	<u>Part</u> <u>No.</u>	<u>DESCRIPTION</u>
1	8534952	Accumulator Assy
2	8283527	Shield, Motor
3	3400069	Screw
4	8572618	Sump With Seal
5	8268375	Check Valve, Sump
6	W10083957	Chopper Assembly
7	9741232	Screw
8	8531857	Protector, Inlet
9	8535760	Motor Assembly
10	3400217	Screw
11	8268391	Screen, Separation
12	W10084107	Sump & Motor Assembly (Includes Item 13)
13	8269524	Tab, Sump
14	8533949	Nut
15	661662	Pump, Drain
16	8531019	Volute, Back (Also Order Items 21 & 26)
17	8269144	Hose, Drain
18	8535759	Motor
19	8268397	Seal, Volute
20	8531017	Impeller Kit
21	8268403	Face Seal Assembly (Also Order Item 26)
22	356138	Clamp, Hose
23	W10082647	Optical Water Indicator
24	8535474	Capacitor
25	8534946	Shield, Capacitor
26	8531018	Washer

FOR ORDERING INFORMATION REFER TO PARTS PRICE LIST

UPPER RACK AND TRACK PARTS

For Model: KUDU03FTPA2

(Panel Ready)



FOR ORDERING INFORMATION REFER TO PARTS PRICE LIST

UPPER RACK AND TRACK PARTS

For Model: KUDU03FTPA2

(Panel Ready)

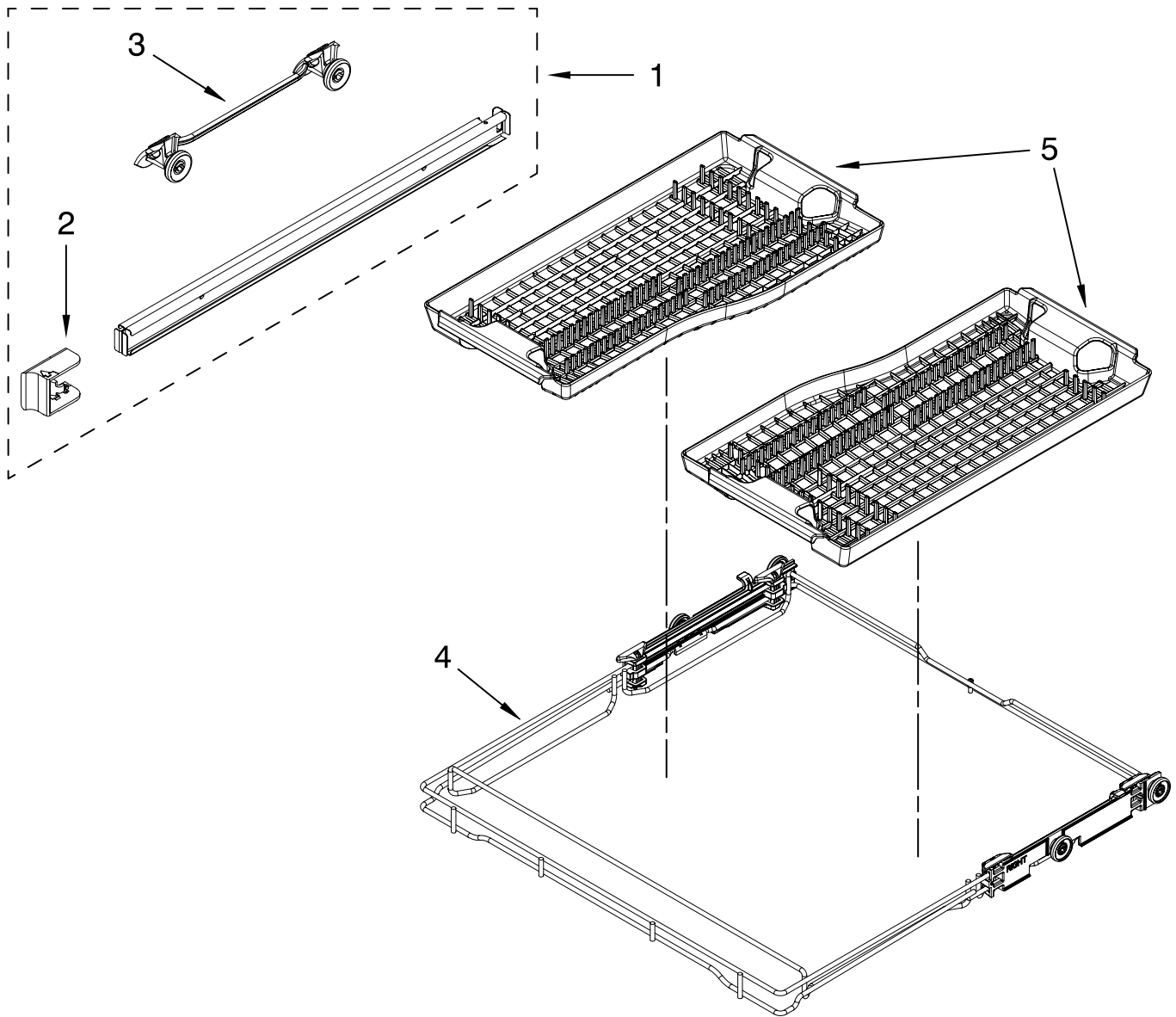
Illus.	Part	
No.	No.	DESCRIPTION
1	8561731	Dishrack, Upper
2	W10082839	Housing, Adjuster
3		Actuator, Adjuster
	W10077838	Right Hand
	W10077839	Left Hand
4	8268653	Adjuster Assembly
5	8270138	Wheel
6	8268703	Axel, Adjuster
7	8281156	Screw
8	8562030	Tine Row
9	W10082853	Clip, Pivot
10	8539149	Insert, Fold Down Tines
11	8539148	Clip, Insert Tines
12	8539102	Positioner, Dual
13	8539103	Positioner, Multi
14	W10082840	Cover, Adjuster
15	9741232	Retainer
16	W10082834	Positioner, Arm
17	W10077844	Clip, No-Flip
18		Track, Assembly
	W10077852	Right Hand
	W10077851	Left Hand (Also Order Item 21)
19	W10077876	Mount, Track (Also Order Item 21)
20		Stop, Track
	W10077848	Right
	W10077847	Left
21	9743002	Gasket, Bracket Mounting
22	3400072	Screw
23	8539110	Handle, Dishrack
24	W10077958	Cupshelf Assembly
25	8562026	Clip, Cupshelf
26	W10077843	Indicator, Cupshelf

FOR ORDERING INFORMATION REFER TO PARTS PRICE LIST

THIRD LEVEL RACK AND TRACK PARTS

For Model: KUDU03FTP A2

(Panel Ready)



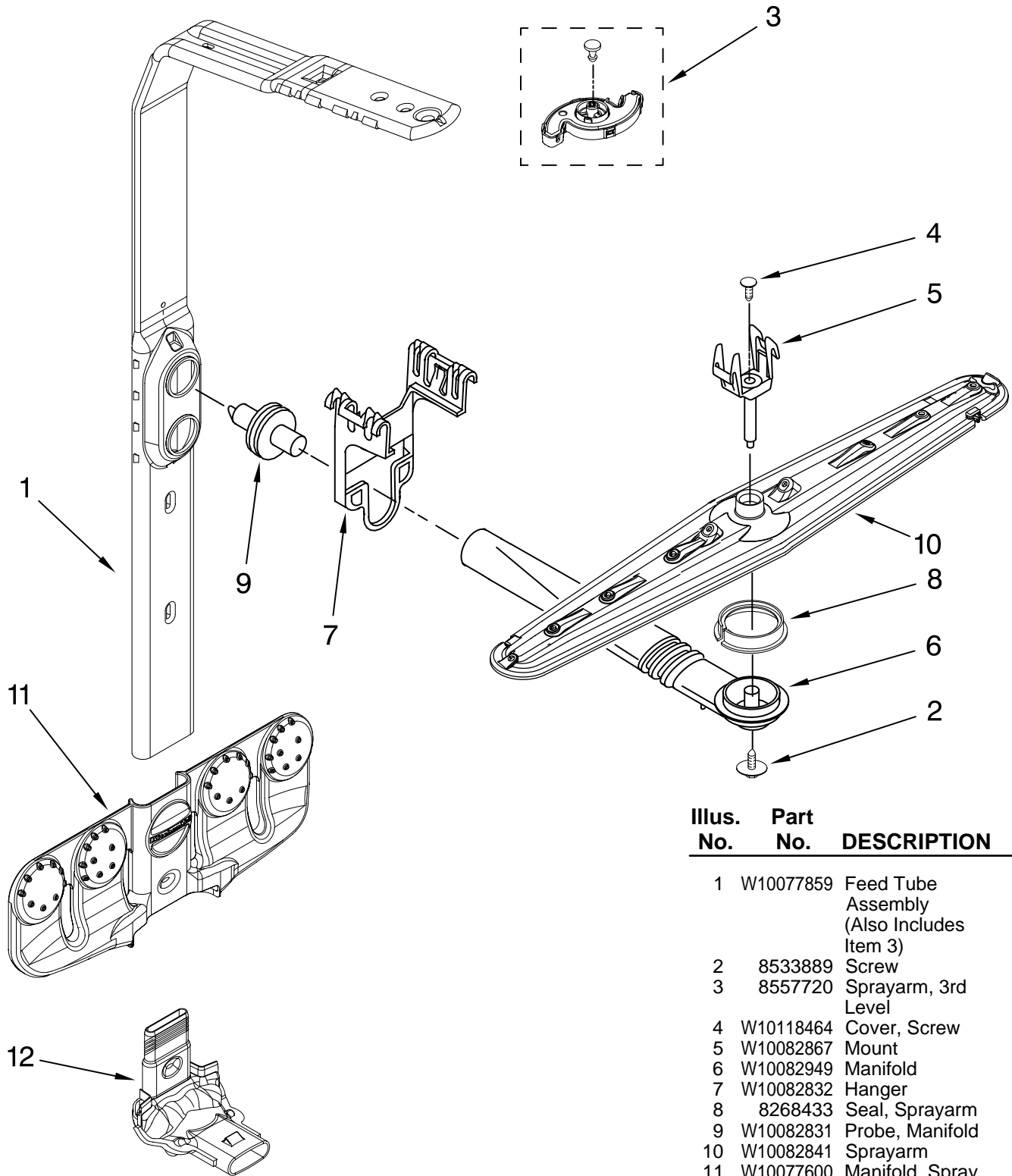
Illus. No.	Part No.	DESCRIPTION
1	W10077855	Track Right
	W10077856	Track Left
2	W10077854	Stop, Track
3	8564899	Mount, Track
4	8564900	Rack Assembly (Third Level)
5	8564901	Basket- TLR

FOR ORDERING INFORMATION REFER TO PARTS PRICE LIST

UPPER WASH AND RINSE PARTS

For Model: KUDU03FTPA2

(Panel Ready)



Illus. No.	Part No.	DESCRIPTION
------------	----------	-------------

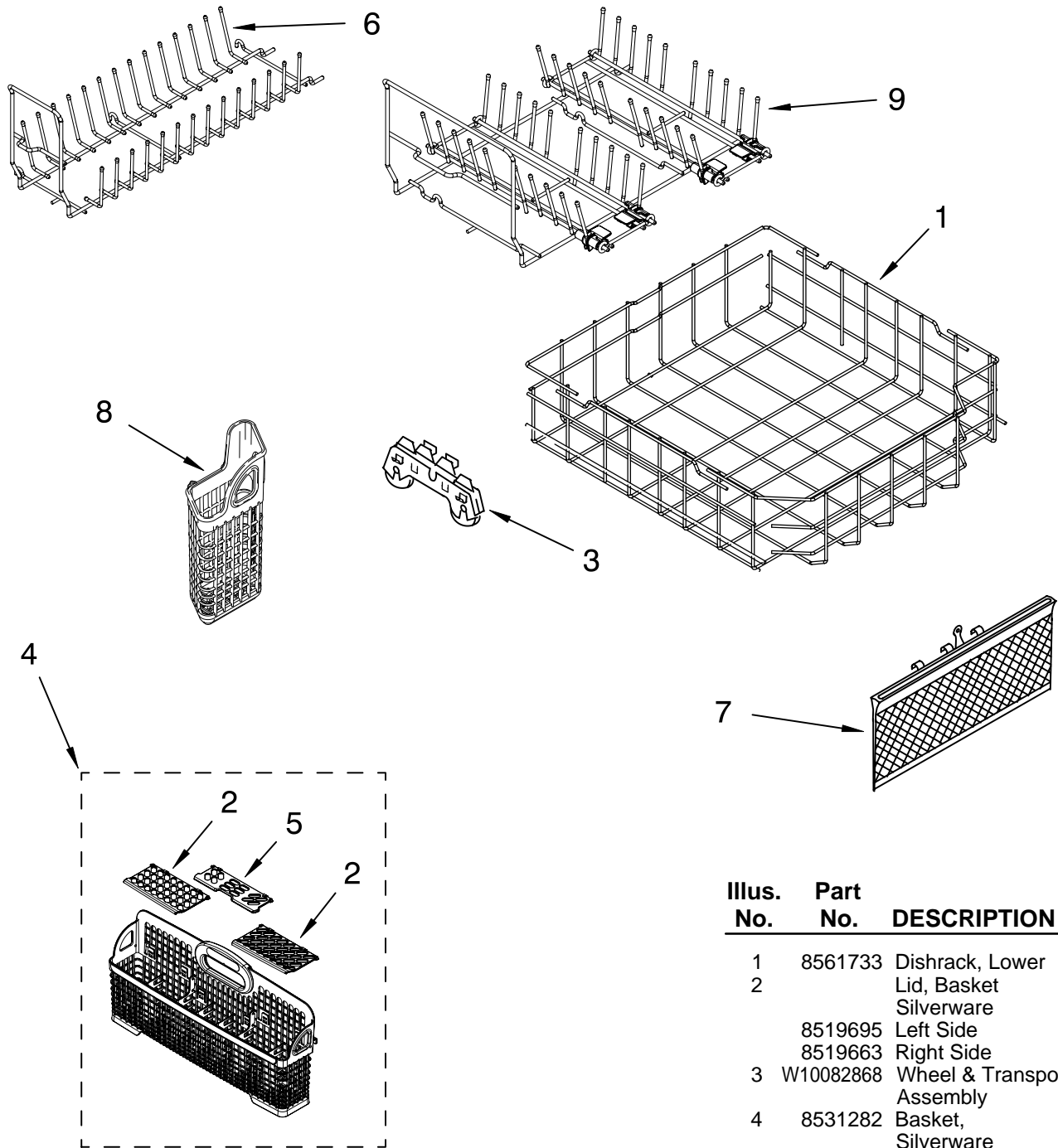
1	W10077859	Feed Tube Assembly (Also Includes Item 3)
2	8533889	Screw
3	8557720	Sprayarm, 3rd Level
4	W10118464	Cover, Screw
5	W10082867	Mount
6	W10082949	Manifold
7	W10082832	Hanger
8	8268433	Seal, Sprayarm
9	W10082831	Probe, Manifold
10	W10082841	Sprayarm
11	W10077600	Manifold, Spray Zone
12	W10077903	Valve Assembly, Manifold

FOR ORDERING INFORMATION REFER TO PARTS PRICE LIST

LOWER RACK PARTS

For Model: KUDU03FTPA2

(Panel Ready)



Illus. No.	Part No.	DESCRIPTION
1	8561733	Dishrack, Lower
2		Lid, Basket Silverware
	8519695	Left Side
	8519663	Right Side
3	W10082868	Wheel & Transport Assembly
4	8531282	Basket, Silverware
5	8519662	Lid, Basket Center
6	W10086370	Insert, Large
7	8519716	Basket-Small Items
8	8519702	Basket, Utensil
9	W10086340	Insert, Double

FOR ORDERING INFORMATION REFER TO PARTS PRICE LIST

OPTIONAL PARTS (NOT INCLUDED)

For Model: KUDU03FTPA2

(Panel Ready)

Illus. No.	Part No.	DESCRIPTION	Illus. No.	Part No.	DESCRIPTION	Illus. No.	Part No.	DESCRIPTION
<u>ACCESSORIES</u>			<u>PAINT, TOUCH-UP (1/2oz.)</u>			<u>PAINT, BULK (1 qt.)</u>		
	8171656	White		72017	White		799344	White (Uncut)
	8171657	Black		72032	Black		4392900	Biscuit
	8171658	Biscuit		4392899	Biscuit	<u>POWER CORD KIT</u>		
	8171659	Stainless Steel		4396603	Meteorite		4317824	Power Cord Kit (Includes Power Cord & Misc. Hardware)
	Custom Panel & Trim Kit		<u>PAINT, PRESSURIZED SPRAY</u>			<u>ANTI-TIP KIT</u>		
	8212489	Black	<u>(12 oz.)</u>				8171477	Floor Mount Kit
	Towel Bar Handle Kit			350930	White	<u>DISHRACK REPAIR</u>		
	8573938	Stainless Steel		285006	Superior Black		4396838	White
	Drain Hose			4392901	Biscuit		4396840	Grey
	3385556	12 Ft.					4396854	Silver Atlantis
	Vinyl Touch-Up (4oz.)							
	676453	White						
	676455	Grey						
	4396853	Silver Atlantis						
	Moisture Barrier Kit							
	4396277	Kit						

FOR ORDERING INFORMATION REFER TO PARTS PRICE LIST

Free Manuals Download Website

<http://myh66.com>

<http://usermanuals.us>

<http://www.somanuals.com>

<http://www.4manuals.cc>

<http://www.manual-lib.com>

<http://www.404manual.com>

<http://www.luxmanual.com>

<http://aubethermostatmanual.com>

Golf course search by state

<http://golfingnear.com>

Email search by domain

<http://emailbydomain.com>

Auto manuals search

<http://auto.somanuals.com>

TV manuals search

<http://tv.somanuals.com>