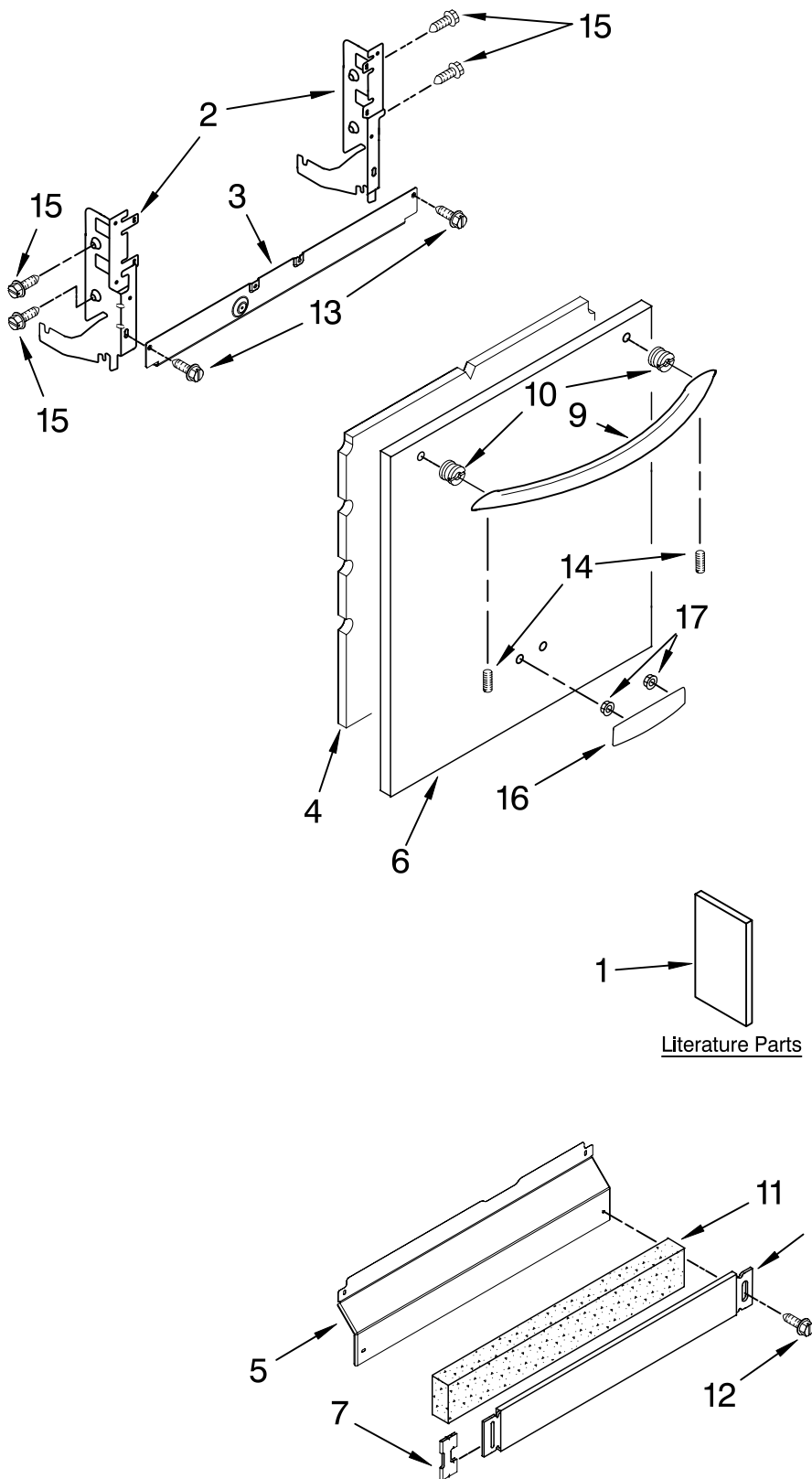


# KitchenAid® DOOR AND PANEL PARTS

For Models: KUDU03FTBL2, KUDU03FTWH2, KUDU03FTSS2  
(Black) (White) (Stainless)

UNDERCOUNTER  
DISHWASHER

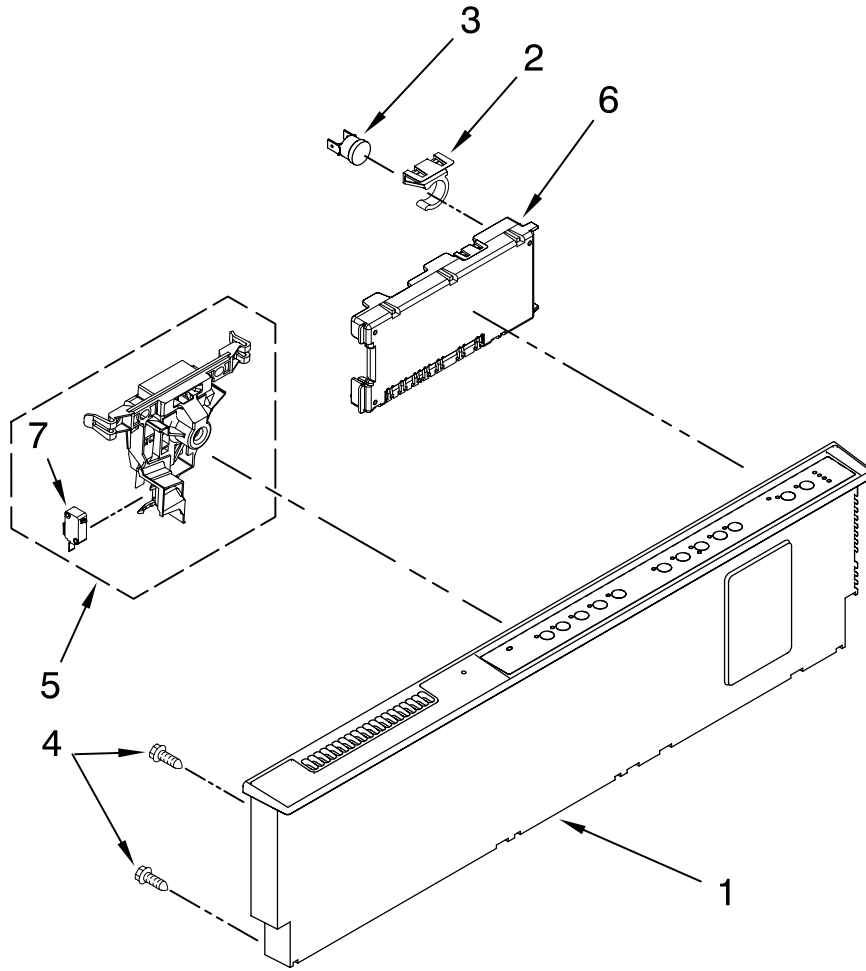


Illus. No.	Part No.	DESCRIPTION
1		Literature Parts
	W10078153	Instructions, Installation
	W10111124	Energy Guide
	W10084169	Guide, Use & Care Spanish
	W10084091	Guide, Use & Care English/French
	W10082651	Tech Sheet
2		Arm, Hinge
	8534854	Left
	8534853	Right
3	8564886	Stiffener, Door
4	8542577	Insulation, Door
5		Access Panel
	8573255	Black
	8573256	White
6		Panel, Full Front (Includes Items 4, 10, 16 & 17)
	W10078007	Black
	W10078008	White
	W10137623	Stainless
7	8269016	Clip, Grounding
8		Toe Panel (Includes Items 7 & 11)
	8558252	Black
	8558253	White
9		Handle (Includes Item 14)
	W10083936	Black
	W10083937	White
	W10083935	Stainless
10	8564951	Stud, Mounting
11	W10073550	Insulation, Toe Panel
12		Screw
	302868	Black
	3400836	White
13	304392	Screw
14	8534008	Screw
15	3400071	Screw
16		Nameplate
	W10021860	Black
	W10021870	White
	W10021850	Stainless
17	2004333	Nut

FOR ORDERING INFORMATION REFER TO PARTS PRICE LIST

# CONTROL PANEL PARTS

For Models: KUDU03FTBL2, KUDU03FTWH2, KUDU03FTSS2  
 (Black) (White) (Stainless)

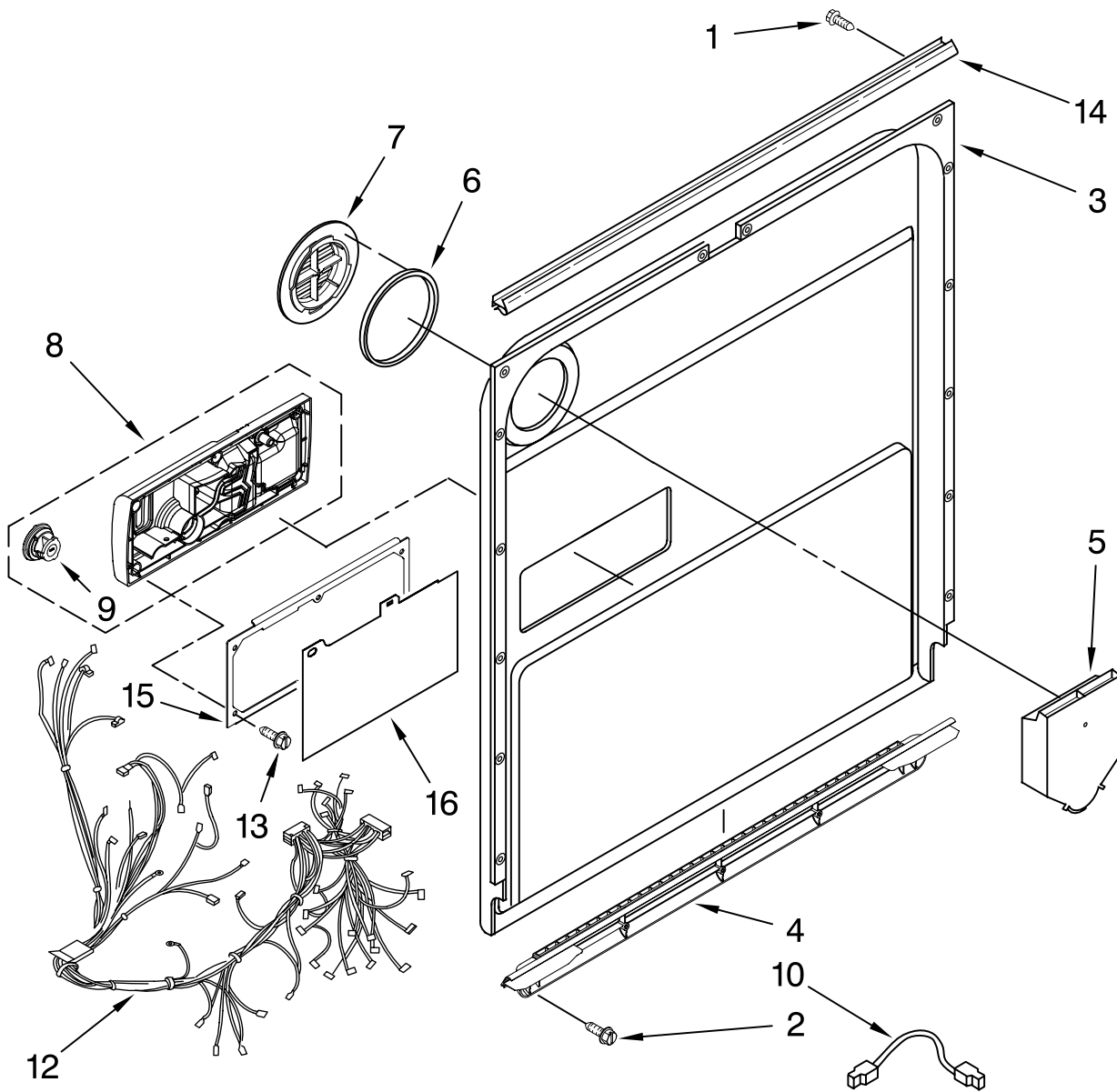


Illus. No.	Part No.	DESCRIPTION
1		Console Assembly (Includes Insert)
	W10084180	Black
	W10084181	White
	W10084182	Stainless
2	8546546	Clip, BI-Metal
3	661663	Bi-Metal
4	3369051	Screw
5	W10077360	Latch Assembly
6	W10084141	Control, Electronic
7	W10134019	Switch, Door

FOR ORDERING INFORMATION REFER TO PARTS PRICE LIST

# DOOR AND LATCH PARTS

For Models: KUDU03FTBL2, KUDU03FTWH2, KUDU03FTSS2  
(Black) (White) (Stainless)



Illus. No.	Part No.	DESCRIPTION
1	3369051	Screw, Door
2	8281217	Screw
3	W10084288	Inner Door Mastic Assembly (Also Order Item 6)
4	W10077883	Inlet, Air
5	8572611	Vent Assembly (Also Order Item 6)

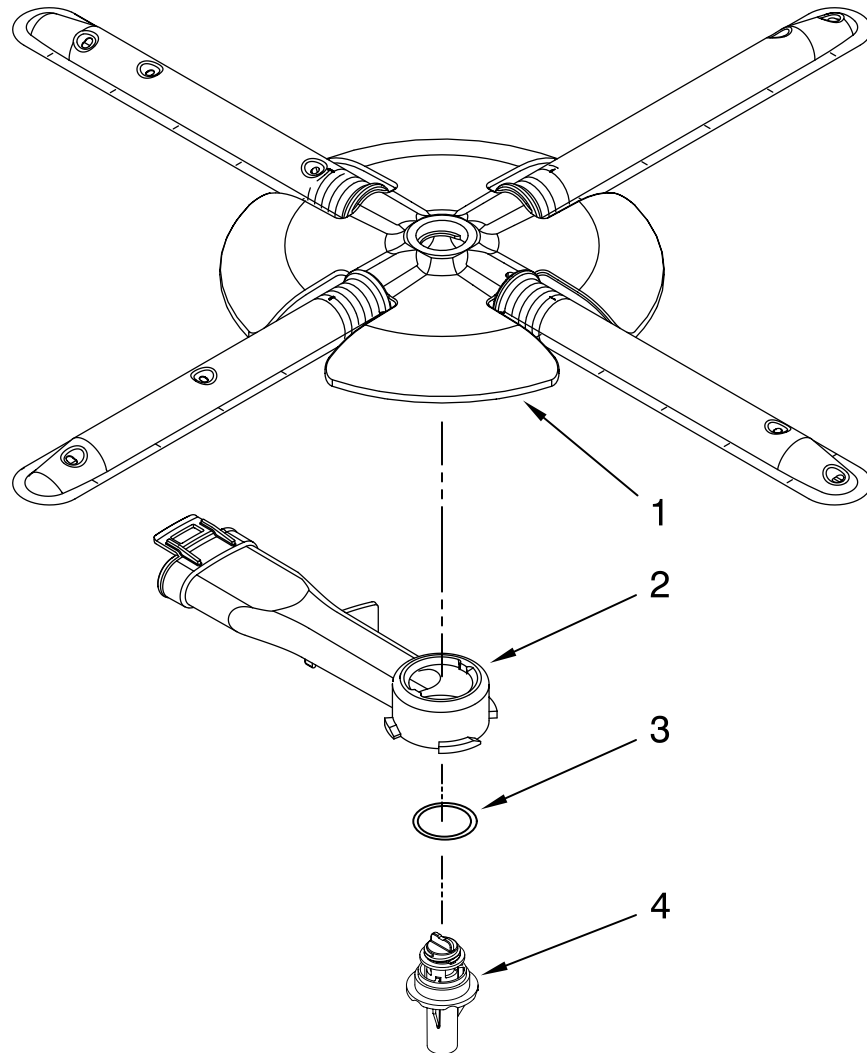
Illus. No.	Part No.	DESCRIPTION
6	8269259	Gasket, Vent
7	W10077877	Deflector, Vent (Also Order Item 6)
8	W10077882	Dispenser, Assembly
9	W10077881	Knob, Rinse Aid
10	8545608	Harness, Vent Motor

Illus. No.	Part No.	DESCRIPTION
12	W10078202	Wiring Harness
13	8281154	Screw
14	8535660	Seal, Console/door
15	8535637	Bracket, Dispenser
16	8531865	Shield, Dispenser

FOR ORDERING INFORMATION REFER TO PARTS PRICE LIST

# LOWER WASHARM AND STRAINER PARTS

For Models: KUDU03FTBL2, KUDU03FTWH2, KUDU03FTSS2  
(Black) (White) (Stainless)

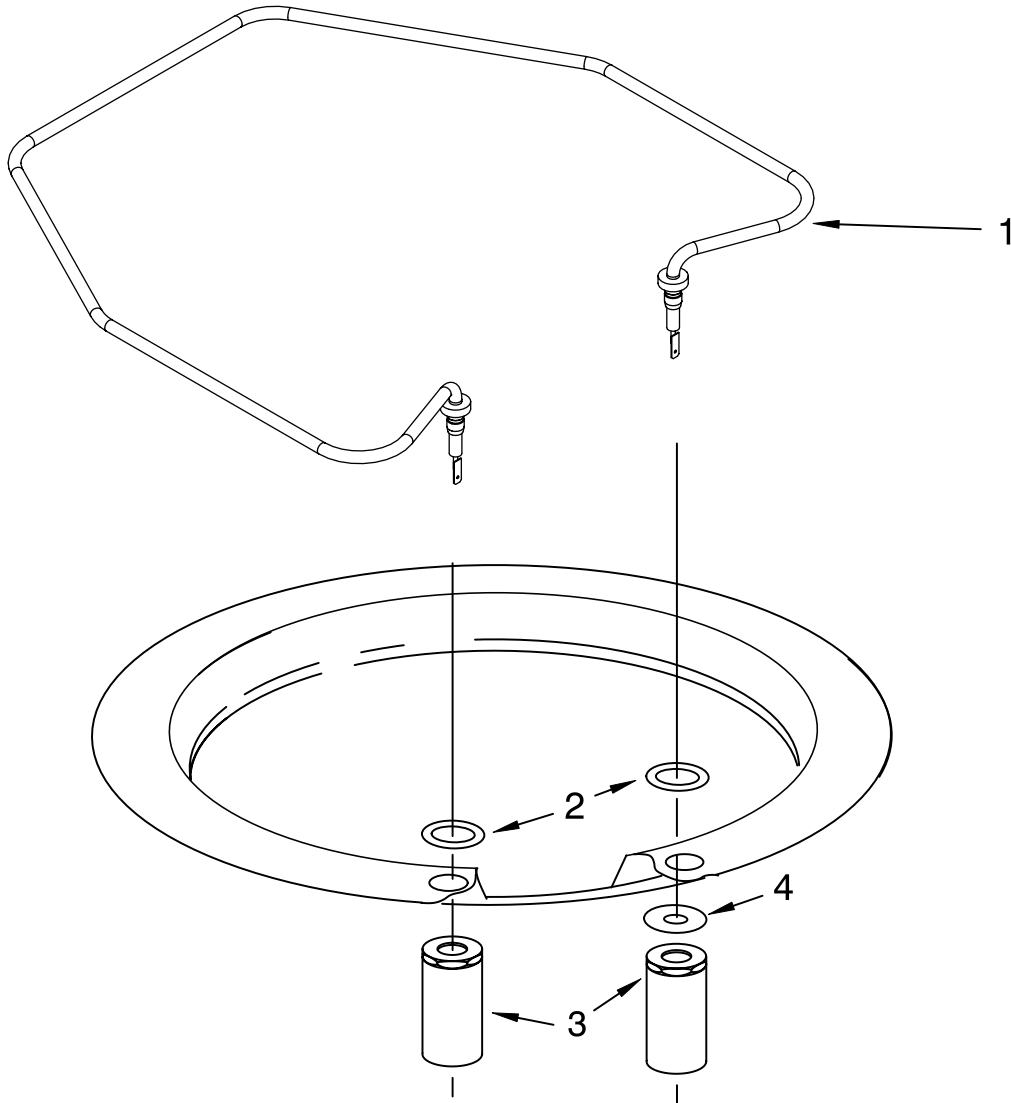


Illus. No.	Part No.	DESCRIPTION
1	W10077965	Wash Arm Assembly
2	W10077899	Cap, Internal Rear Feed (Also Order Item 3)
3	8268340	Seal, Sprayarm
4	W10077898	Hub, Lower Sprayarm (Also Order Item 3)

FOR ORDERING INFORMATION REFER TO PARTS PRICE LIST

# HEATER PARTS

For Models: KUDU03FTBL2, KUDU03FTWH2, KUDU03FTSS2  
(Black) (White) (Stainless)



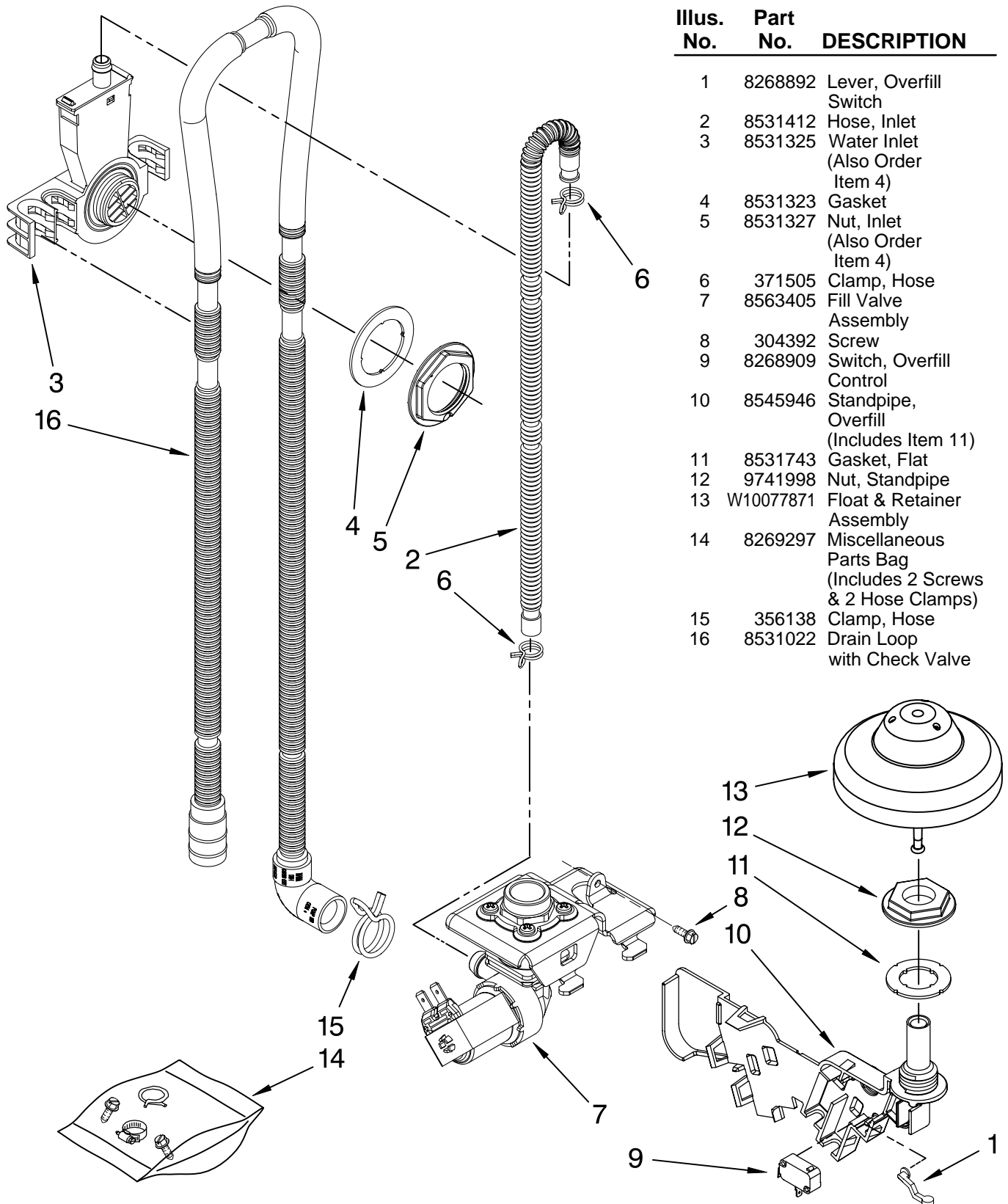
Illus. No.	Part No.	DESCRIPTION
1	8537057	Heater Element Assembly (Also Includes Item 2)
2	717273	Washer, Heater Element
3	8268548	Nut, Heater Element
4	3400931	Retainer, Spring Grip

**NOTE:** If heater element is removed, it must be replaced.

FOR ORDERING INFORMATION REFER TO PARTS PRICE LIST

# FILL AND OVERFILL PARTS

For Models: KUDU03FTBL2, KUDU03FTWH2, KUDU03FTSS2  
(Black) (White) (Stainless)

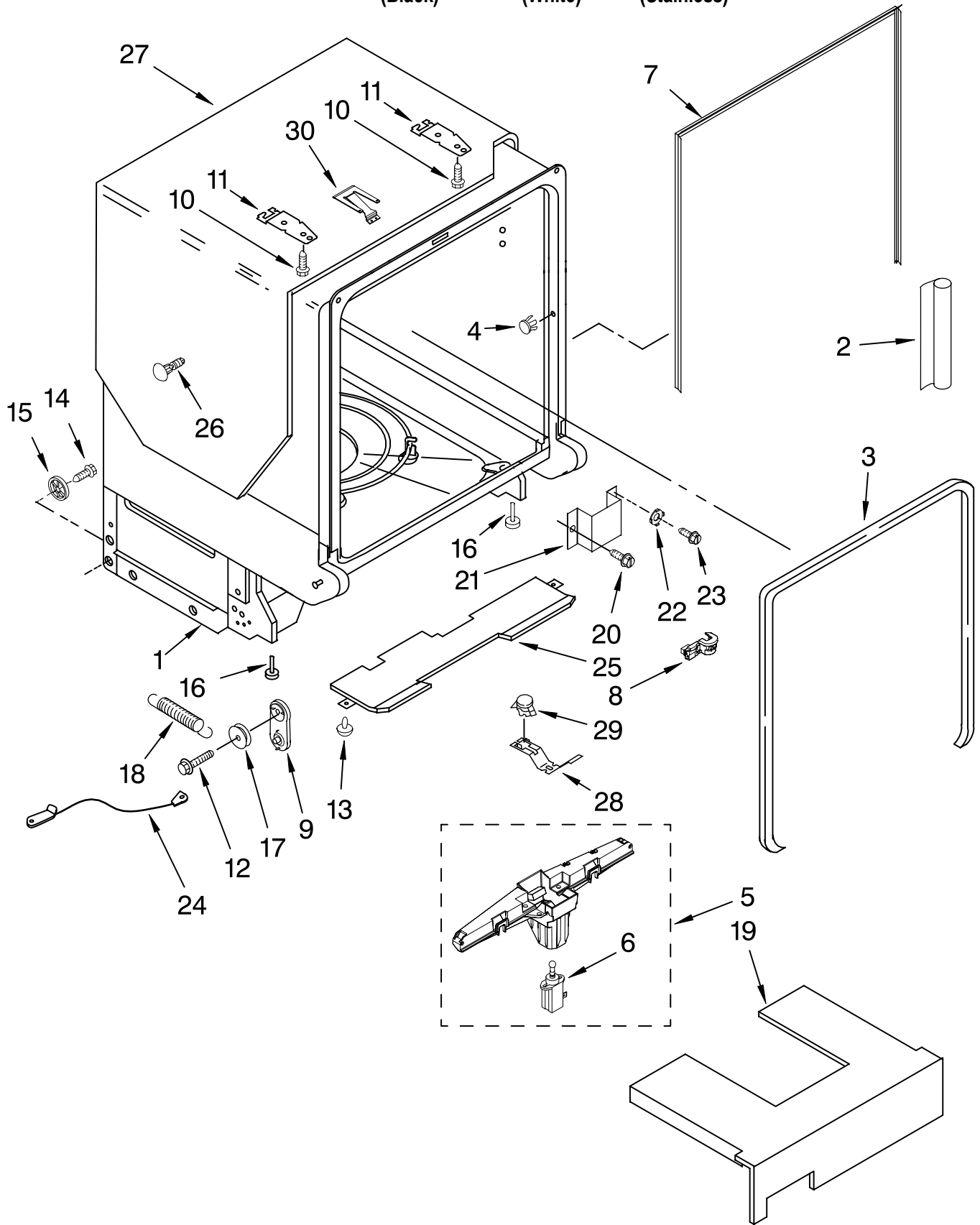


Illus. No.	Part No.	DESCRIPTION
1	8268892	Lever, Overfill Switch
2	8531412	Hose, Inlet
3	8531325	Water Inlet (Also Order Item 4)
4	8531323	Gasket
5	8531327	Nut, Inlet (Also Order Item 4)
6	371505	Clamp, Hose
7	8563405	Fill Valve Assembly
8	304392	Screw
9	8268909	Switch, Overfill Control
10	8545946	Standpipe, Overfill (Includes Item 11)
11	8531743	Gasket, Flat
12	9741998	Nut, Standpipe
13	W10077871	Float & Retainer Assembly
14	8269297	Miscellaneous Parts Bag (Includes 2 Screws & 2 Hose Clamps)
15	356138	Clamp, Hose
16	8531022	Drain Loop with Check Valve

FOR ORDERING INFORMATION REFER TO PARTS PRICE LIST

# TUB AND FRAME PARTS

For Models: KUDU03FTBL2, KUDU03FTWH2, KUDU03FTSS2  
 (Black) (White) (Stainless)



FOR ORDERING INFORMATION REFER TO PARTS PRICE LIST

# TUB AND FRAME PARTS

For Models: KUDU03FTBL2, KUDU03FTWH2, KUDU03FTSS2  
 (Black) (White) (Stainless)

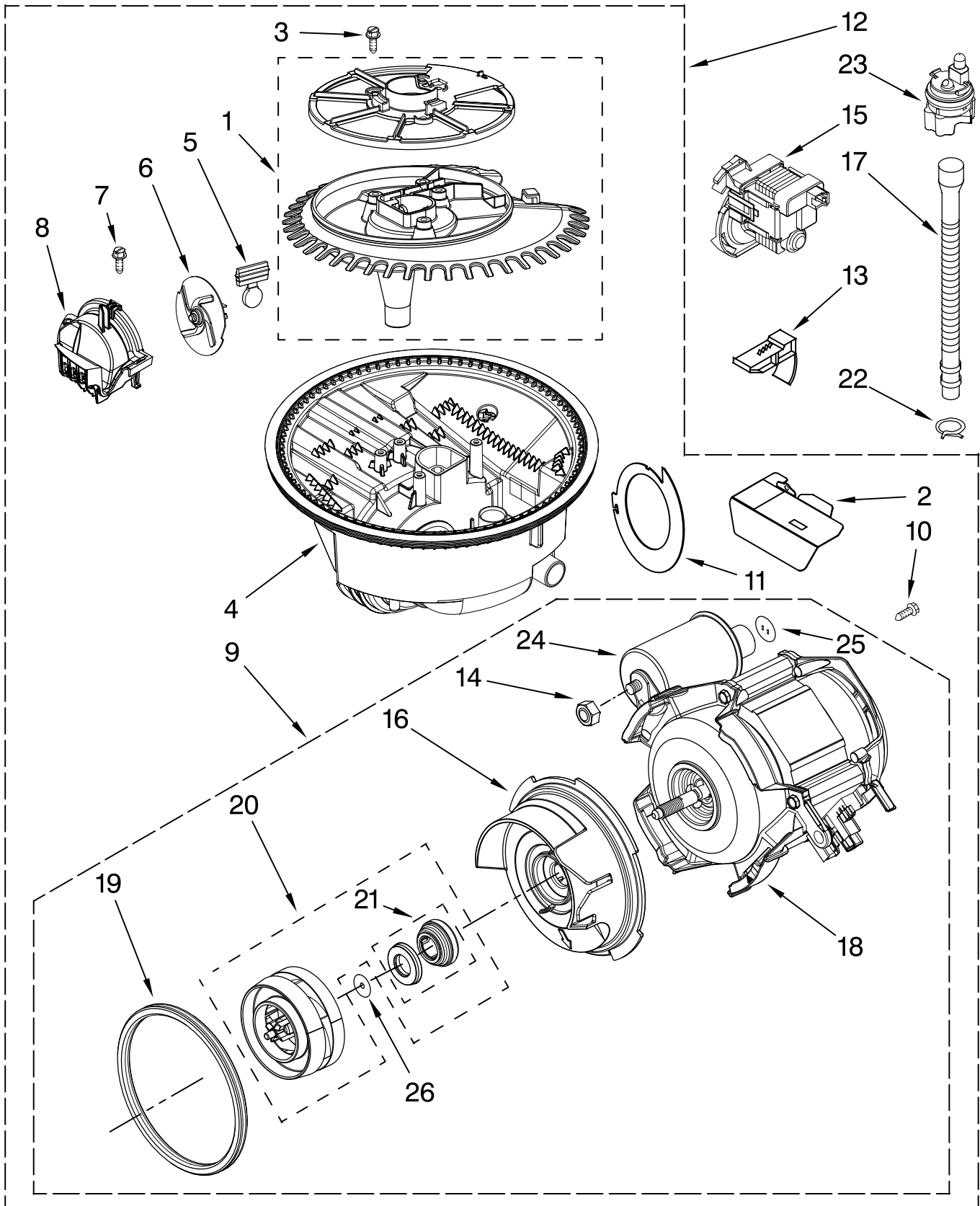
Illus. No.	Part No.	DESCRIPTION
1	W10084284	Tub Assembly
2	8574123	Barrier, Moisture Undercounter
3	W10112096	Door Seal
4	W10082838	Plug Tub
5	8572661	Actuator Assembly
6	W10082769	Motor, Wax
7	8269110	Seal, Cabinet
8	8573061	Strain Relief
9	8270021	Mount, Door Balance
10	3367670	Screw
11	8269145	Bracket, Undercounter
12	3400074	Screw
13	3400924	Retainer, Push-in
14	3370389	Screw
15	8268977	Wheel Leg
16	8524584	Leveler, Leg
17	8524474	Wheel, door Balance
18	8270020	Spring, Door Balance
19	8545574	Absorber, Sound
20	3400892	Screw
21	8268991	Cover, Terminal Box
22	3378128	Washer, Pronged Cup
23	3400014	Screw
24	8535568	Link, Door Balance
25	8268587	Insulator, Sound
26	304666	Retainer, Push
27	8573239	Shield, Sound Tub
28	9742648	Bracket, Thermostat
29	661566	Thermostat
30	W10077370	Strike, Latch

FOR ORDERING INFORMATION REFER TO PARTS PRICE LIST



# PUMP AND MOTOR PARTS

For Models: KUDU03FTBL2, KUDU03FTWH2, KUDU03FTSS2  
(Black) (White) (Stainless)



FOR ORDERING INFORMATION REFER TO PARTS PRICE LIST

# PUMP AND MOTOR PARTS

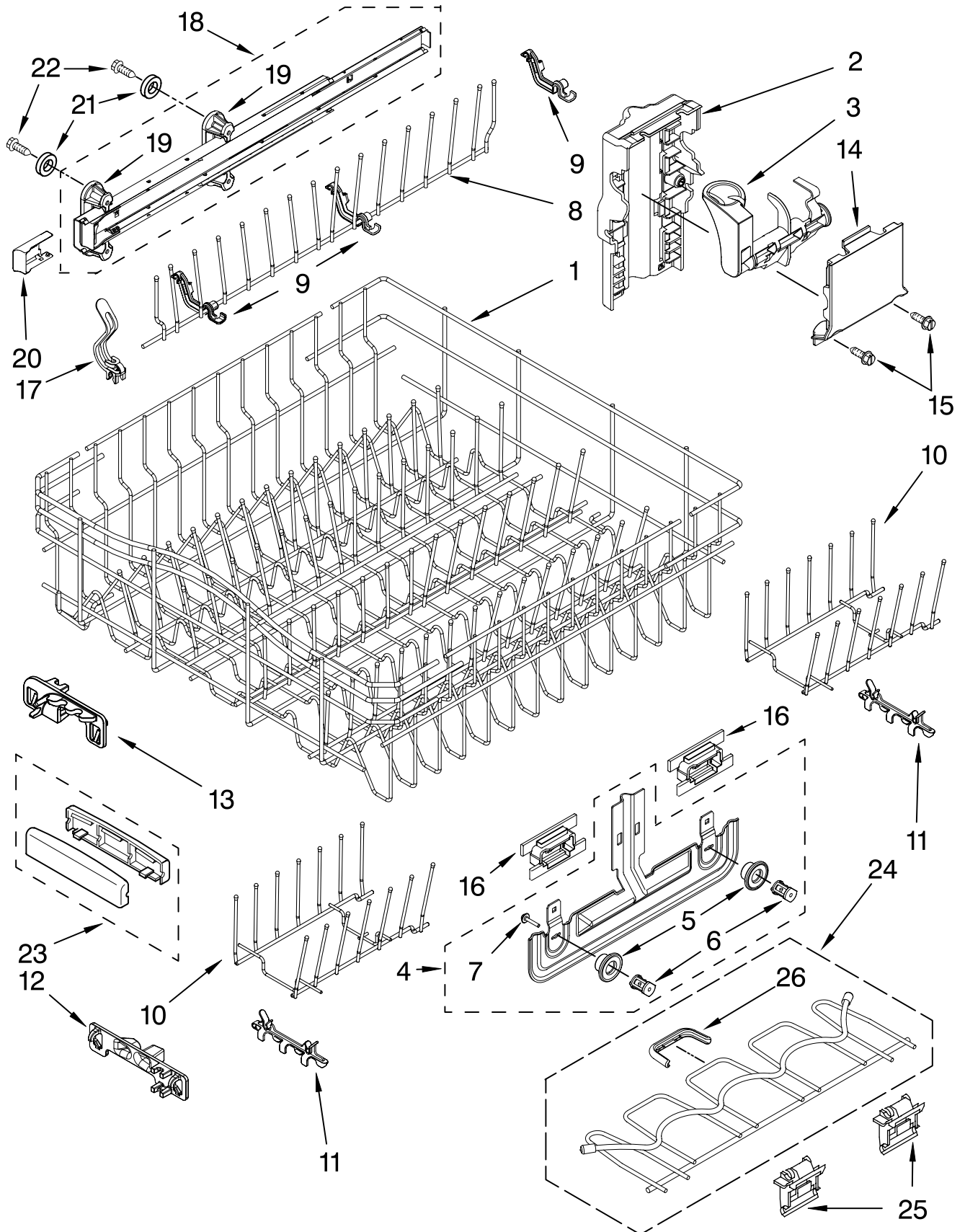
For Models: KUDU03FTBL2, KUDU03FTWH2, KUDU03FTSS2  
(Black) (White) (Stainless)

Illus. No.	Part No.	DESCRIPTION
1	8534952	Accumulator Assy
2	8283527	Shield, Motor
3	3400069	Screw
4	8572618	Sump With Seal
5	8268375	Check Valve, Sump
6	W10083957	Chopper Assembly
7	9741232	Screw
8	8531857	Protector, Inlet
9	8535760	Motor Assembly
10	3400217	Screw
11	8268391	Screen, Separation
12	W10084107	Sump & Motor Assembly (Includes Item 13)
13	8269524	Tab, Sump
14	8533949	Nut
15	661662	Pump, Drain
16	8531019	Volute, Back (Also Order Items 21 & 26)
17	8269144	Hose, Drain
18	8535759	Motor
19	8268397	Seal, Volute
20	8531017	Impeller Kit (Also order Item 21)
21	8268403	Face Seal Assembly (Also Order Item 21)
22	356138	Clamp, Hose
23	W10082647	Optical Water Indicator
24	8535474	Capacitor
25	8534946	Shield, Capacitor
26	8531018	Washer

FOR ORDERING INFORMATION REFER TO PARTS PRICE LIST

# UPPER RACK AND TRACK PARTS

For Models: KUDU03FTBL2, KUDU03FTWH2, KUDU03FTSS2  
(Black) (White) (Stainless)



FOR ORDERING INFORMATION REFER TO PARTS PRICE LIST

# UPPER RACK AND TRACK PARTS

For Models: KUDU03FTBL2, KUDU03FTWH2, KUDU03FTSS2

(Black)

(White)

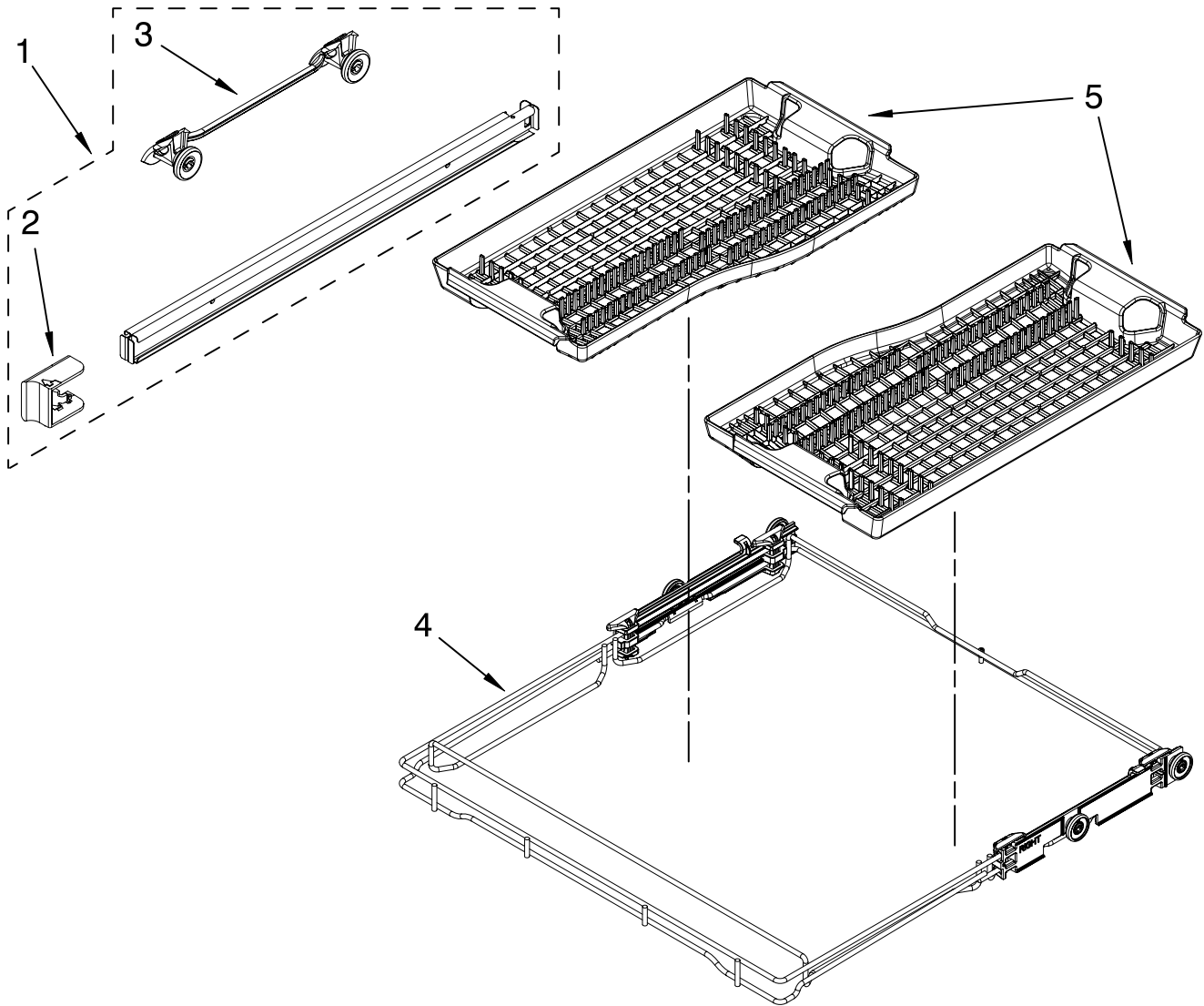
(Stainless)

Illus. No.	Part No.	DESCRIPTION
1	8561731	Dishrack, Upper
2	W10082839	Housing, Adjuster
3		Actuator, Adjuster
	W10077838	Right Hand
	W10077839	Left Hand
4	8268653	Adjuster Assembly
5	8270138	Wheel
6	8268703	Axel, Adjuster
7	8281156	Screw
8	8562030	Tine Row
9	W10082853	Clip, Pivot
10	8539149	Insert, Fold Down Tines
11	8539148	Clip, Insert Tines
12	8539102	Positioner, Dual
13	8539103	Positioner, Multi
14	W10082840	Cover, Adjuster
15	9741232	Retainer
16	W10082834	Positioner, Arm
17	W10077844	Clip, No-Flip
18		Track, Assembly (Also Order Item 21)
	W10077852	Right Hand
	W10077851	Left Hand
19	W10077876	Mount, Track (Also Order Item 21)
20		Stop, Track
	W10077848	Right
	W10077847	Left
21	9743002	Gasket, Bracket Mounting
22	3400072	Screw
23	8539110	Handle, Dishrack
24	W10077958	Cupshelf
25	8562026	Clip, Cupshelf
26	W10077843	Indicator, Cupshelf

FOR ORDERING INFORMATION REFER TO PARTS PRICE LIST

# THIRD LEVEL RACK AND TRACK PARTS

For Models: KUDU03FTBL2, KUDU03FTWH2, KUDU03FTSS2  
 (Black) (White) (Stainless)

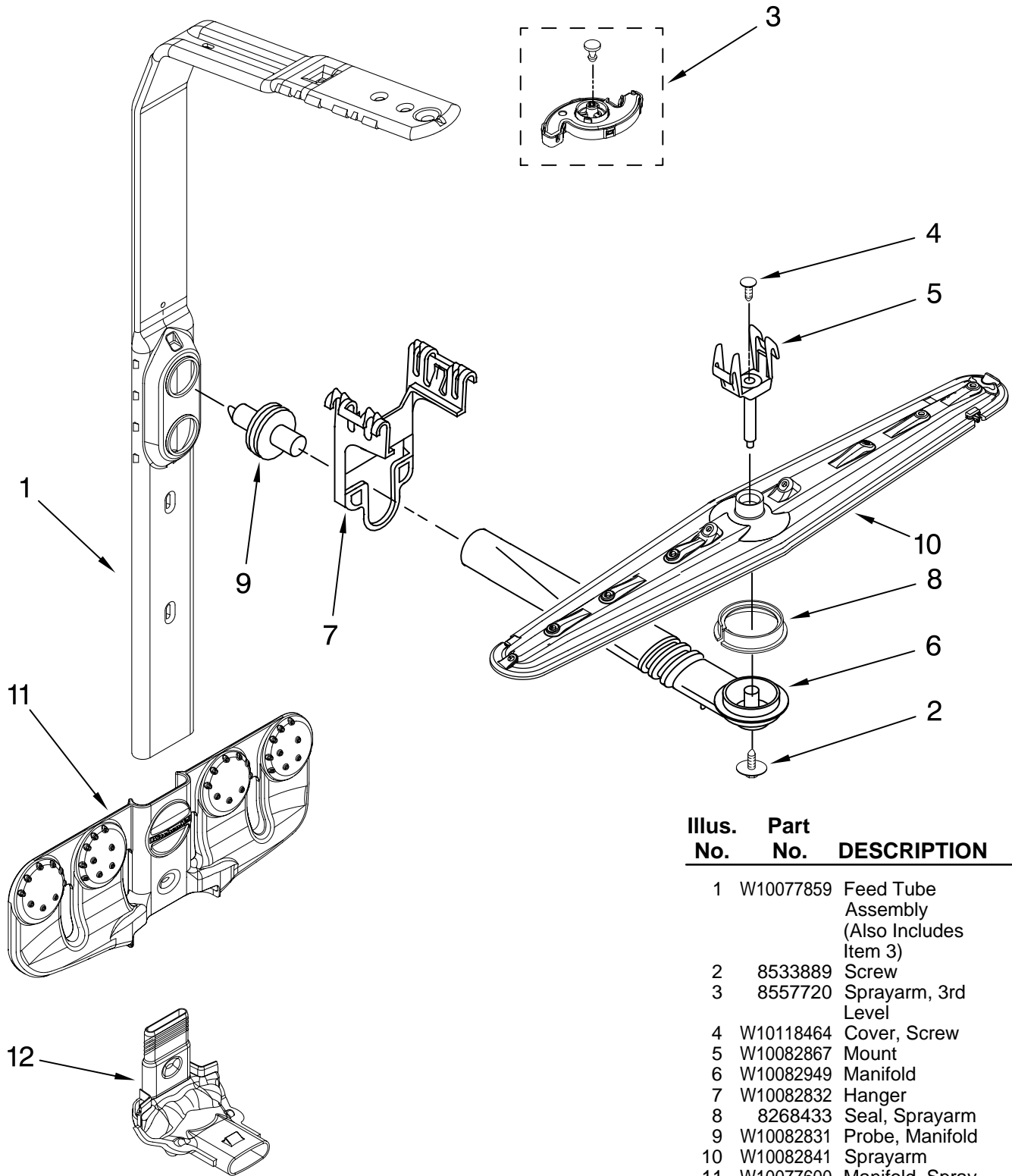


Illus. No.	Part No.	DESCRIPTION
1	W10077855	Track Assembly Right
	W10077856	Track Assembly Left
2	W10077854	Stop, Track
3	8564899	Mount, Track
4	8564900	Rack Assembly (Third Level)
5	8564901	Basket- TLR

FOR ORDERING INFORMATION REFER TO PARTS PRICE LIST

# UPPER WASH AND RINSE PARTS

For Models: KUDU03FTBL2, KUDU03FTWH2, KUDU03FTSS2  
(Black) (White) (Stainless)



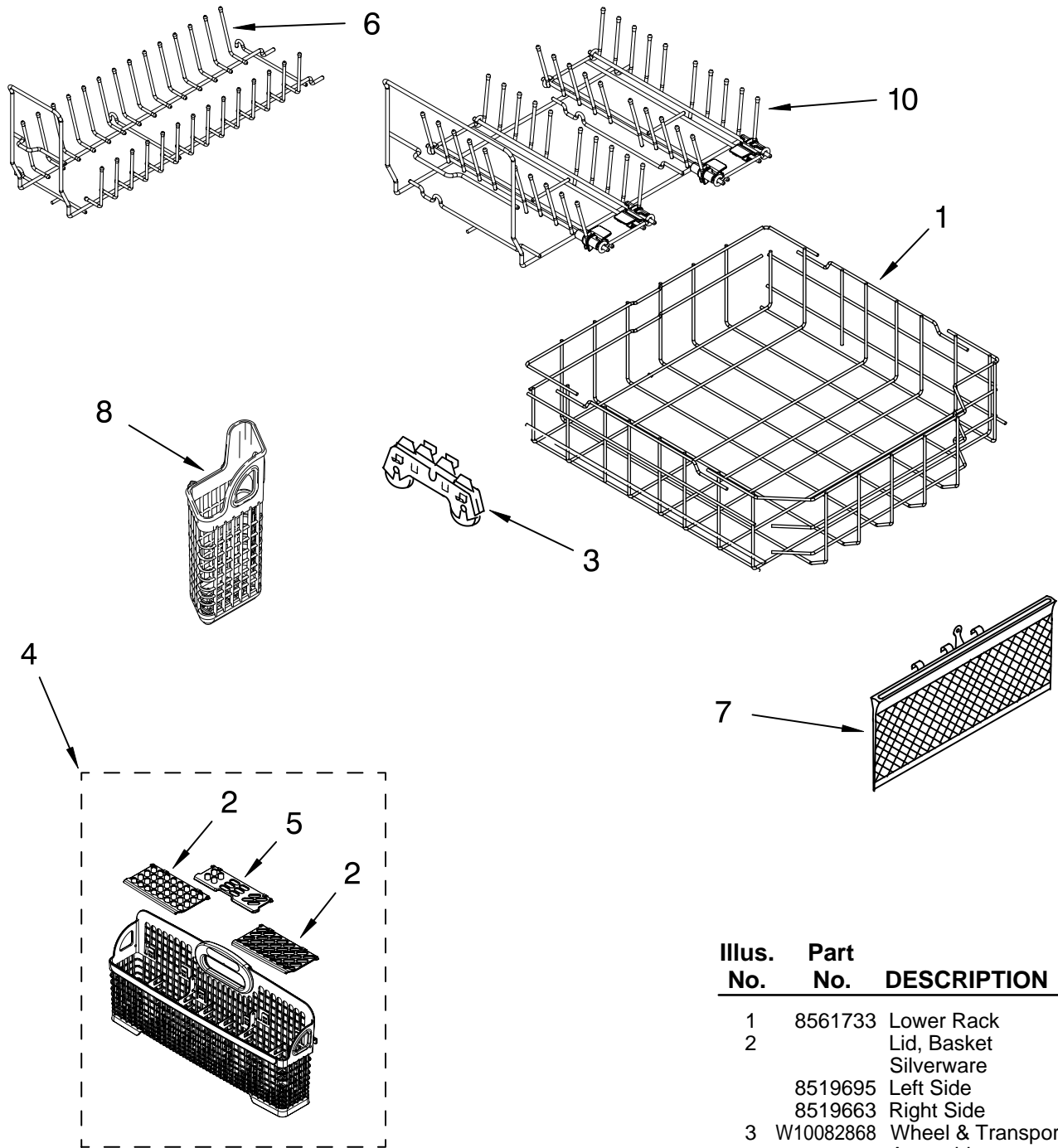
Illus. No.	Part No.	DESCRIPTION
------------	----------	-------------

1	W10077859	Feed Tube Assembly (Also Includes Item 3)
2	8533889	Screw
3	8557720	Sprayarm, 3rd Level
4	W10118464	Cover, Screw
5	W10082867	Mount
6	W10082949	Manifold
7	W10082832	Hanger
8	8268433	Seal, Sprayarm
9	W10082831	Probe, Manifold
10	W10082841	Sprayarm
11	W10077600	Manifold, Spray Zone
12	W10077903	Valve Assembly, Manifold

FOR ORDERING INFORMATION REFER TO PARTS PRICE LIST

# LOWER RACK PARTS

For Models: KUDU03FTBL2, KUDU03FTWH2, KUDU03FTSS2  
(Black) (White) (Stainless)



Illus. No.	Part No.	DESCRIPTION
1	8561733	Lower Rack
2	8519695	Lid, Basket Silverware Left Side
	8519663	Right Side
3	W10082868	Wheel & Transport Assembly
4	8531282	Basket, Silverware
5	8519662	Lid, Basket Center
6	W10086370	Insert, Large
7	8519716	Basket-Small Items
8	8519702	Basket, Utensil
10	W10086340	Insert, Double

FOR ORDERING INFORMATION REFER TO PARTS PRICE LIST

# OPTIONAL PARTS (NOT INCLUDED)

For Models: KUDU03FTBL2, KUDU03FTWH2, KUDU03FTSS2  
(Black) (White) (Stainless)

Illus. Part No. No. DESCRIPTION	Illus. Part No. No. DESCRIPTION	Illus. Part No. No. DESCRIPTION
<b><u>ACCESSORIES</u></b>		
Side Panel Kits 8171656 White 8171657 Black 8171658 Biscuit 8171659 Stainless Steel	<b><u>PAINT, TOUCH-UP (1/2oz.)</u></b>  72017 White 72032 Black 4392899 Biscuit 4396603 Meteorite	<b><u>POWER CORD KIT</u></b>  4317824 Power Cord Kit (Includes Power Cord & Misc. Hardware)
Custom Panel & Trim Kit 8212489 Black	<b><u>PAINT, PRESSURIZED SPRAY (12 oz.)</u></b>  350930 White 285006 Superior Black 4392901 Biscuit	<b><u>ANTI-TIP KIT</u></b>  8171477 Floor Mount Kit
Moisture Barrier Kit 4396277 Kit	<b><u>PAINT, BULK (1 qt.)</u></b>  799344 White (Uncut) 4392900 Biscuit	<b><u>DISHRACK REPAIR</u></b>  4396838 White 4396840 Grey 4396854 Silver Atlantis
Towel Bar Handle Kit 8573938 Stainless Steel		
Drain Hose 3385556 12 Ft.		
Vinyl Touch-Up (4oz.) 676453 White 676455 Grey 4396853 Silver Atlantis		

FOR ORDERING INFORMATION REFER TO PARTS PRICE LIST



## Free Manuals Download Website

<http://myh66.com>

<http://usermanuals.us>

<http://www.somanuals.com>

<http://www.4manuals.cc>

<http://www.manual-lib.com>

<http://www.404manual.com>

<http://www.luxmanual.com>

<http://aubethermostatmanual.com>

Golf course search by state

<http://golfingnear.com>

Email search by domain

<http://emailbydomain.com>

Auto manuals search

<http://auto.somanuals.com>

TV manuals search

<http://tv.somanuals.com>