

**KitchenAid<sup>®</sup>**  
**Dishwasher**  
**MODEL KDC-21D**

---

**USE & CARE GUIDE**

---

# IMPORTANT SAFETY INSTRUCTIONS

**WARNING:** When using your dishwasher, follow basic precautions, including the following:

1. Read all instructions before using the dishwasher.
2. This dishwasher must be properly grounded; see Installation Instructions for details.
3. Use the dishwasher only for its intended function.
4. Use only detergents or wetting agents recommended for use in a dishwasher, and keep them out of the reach of children.
5. When loading items to be washed:
  - a. Locate sharp items so that they are not likely to damage the door seal.
  - b. Load sharp knives with the handles up to reduce risk of cut-type injuries.
6. Do not wash plastic items unless marked "dishwasher safe" or the equivalent. For plastic items not so marked, check the manufacturer's recommendations.
7. Do not touch the heating element during or immediately after use.
8. Do not operate your dishwasher unless all enclosure panels are properly in place.
9. Do not tamper with controls.
10. Do not abuse, sit on, or stand on the door or dish rack of the dishwasher.
11. To reduce the risk of injury, do not allow children to play in or on a dishwasher.
12. Under certain conditions, hydrogen gas may be produced in a hot water system that has not been used for two weeks or more. *Hydrogen gas is explosive.* If the hot water system has not been used for such a period, turn on all hot water faucets and let the water flow from each for several minutes. This will release any accumulated hydrogen gas. Since the gas is flammable, do not smoke or use an open flame during this process.
13. Remove the door to the washing compartment when removing an old dishwasher from service or discarding it.

## SAVE THESE INSTRUCTIONS

## **TABLE OF CONTENTS**

	<b>Page</b>
Important Safety Instructions	2
Ownership Registration Card	4
Important Facts	4
Get To Know Your Dishwasher	5
Operating Your Dishwasher	6
Energy Savings and Your Dishwasher	6
Sounds You May Hear...	6
Dishwasher Cycles	7
To Cancel A Cycle	7
Adding Dishware During A Cycle	7
Special Tips On Dishwasher Use	8
Loading Your Dishwasher	9
Upper Rack	9-10
Lower Rack	11
Silverware Basket	12
Filling The Detergent Dispenser	13
How Much Detergent To Use	14
Low Phosphate Detergents	14
Rinse Agent Dispenser	14
Caring For Your Dishwasher	15
Filtration System	16
Energy Saving Tips	17
Seasonal Storage	17
Problem, Cause, Solution Chart	18-20
To Remove Spots And Film	20
To Check Your Water Temperature	20
Changing Front Panels—	
Upper Panel	21-22
Changing Front Panels—	
Lower Panel	23
Optional Front Panels	23
When You Need Service	24
KitchenAid Wholesale	
Distributors	25-26
Warranty	Back Cover

## **OWNERSHIP REGISTRATION CARD**

### **Take a minute...**

Before you use your dishwasher, please fill out and mail your ownership registration card. This card will enable us to contact you in the unlikely event of a product safety notification and assist us in complying with the provisions of the Consumer Product Safety Act. THIS CARD DOES NOT VERIFY YOUR WARRANTY.

Keep a copy of the bill of sale showing the date of purchase and/or date of installation of your dishwasher. PROOF OF PURCHASE WILL INSURE YOU OF IN-WARRANTY SERVICE.

Write down the following information. You will need it if your dishwasher ever requires service.

Model Number\* \_\_\_\_\_

Serial Number\* \_\_\_\_\_

Date Purchased \_\_\_\_\_

Date Installed \_\_\_\_\_

Dealer's Name \_\_\_\_\_

Address \_\_\_\_\_

Phone \_\_\_\_\_

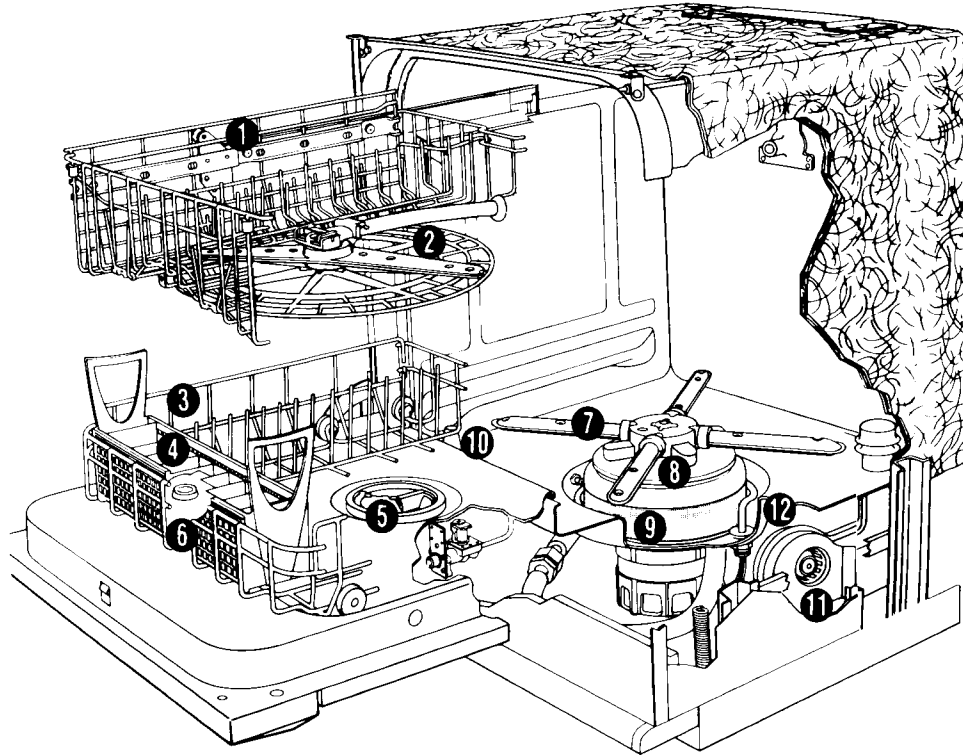
\*Model and Serial Numbers are located on a label at the left side of the door opening.

## **IMPORTANT FACTS**

### **You Should Know That...**

- KitchenAid dishwashers operate on 115 volts, 60 hertz A.C. house current. They *cannot* be converted to operate on 220 volts, 50 hertz house current.
- To protect against possible rupture of fill valve, BE SURE water lines leading to the dishwasher as well as water lines in the dishwasher are protected against freezing. Such ruptures are *not* covered by the warranty.
- The door hinges or latch mechanism of your dishwasher should be removed if you discard or otherwise remove your dishwasher from service. In California, it is a misdemeanor for anyone discarding the appliance not to follow this safety procedure. This extra step can save the lives of curious children at play.

## GET TO KNOW YOUR DISHWASHER



### **The Inside Story**

1. 16-Position Adjustable Upper Rack
2. Upper Level Power Wash With China Guard
3. Lower Rack
4. Cutlery/Silverware Basket
5. Detergent Dispenser
6. Automatic Rinse Agent Dispenser
7. 4-Way Hydro Sweep Wash
8. Self-Cleaning Filter With Jet Spray
9. Removable Coarse Strainer
10. Overflow Protection Float
11. Flo-thru Drying Fan/Heater
12. Water-Heating Element

## **OPERATING YOUR DISHWASHER**

- Step 1 ... Load dishes into racks according to instructions on pages 9 through 11. **DO NOT OPERATE DISHWASHER WITHOUT RACKS IN PLACE.**
- Step 2 ... Add detergent to detergent dispenser. See page 13.
- Step 3 ... Firmly close the door and latch it by pushing the door handle down.
- Step 4 ... Advance Cycle Selection Dial slowly to desired cycle. See page 7 for description of cycles.
- Step 5 ... Push START button.

## **ENERGY SAVINGS AND YOUR DISHWASHER**

### **Automatic Water Heating**

The first wash portion of the cycle selected (excluding Rinse and Hold Cycle) is delayed until the water is heated to approximately 140°F (60°C).

This means that you can turn your home water heater down to provide a minimum of 120°F (49°C) incoming water to the dishwasher rather than 140°F (60°C)—saving you approximately 10% of your total household water heating energy.

If the water temperature inside the dishwasher is 120°F, it will take about 10 minutes to heat the first water fill to

140°F. Higher water temperatures will shorten the cycle time, while lower water temperatures will lengthen the cycle time and possibly decrease washing performance.

No water circulation takes place during water heating periods.

The WATER HEATING LIGHT will glow while water is being heated in the dishwasher, prior to the wash portion of the selected cycle.

### **Sounds You May Hear While Your Dishwasher Is Running:**

- the fill valve opening or closing and the sound of water entering the dishwasher
- water being pumped out during drain portion of cycle
- detergent cups opening
- timer clicking as it advances or resets
- pump motor starting



## SELECT A WASH CYCLE

**NORMAL WASH CYCLE** is used to wash and dry daily loads with normal amounts of food soil.

What happens during this cycle? There are two wash periods with after rinses followed by a heated dry period.

**LIGHT WASH CYCLE** is used to wash and dry daily loads with light amounts of food soil.

What happens during this cycle? There are two wash periods with an after rinse followed by a heated dry period.

## SELECT A RINSE DRY CYCLE

**RINSE & HOLD CYCLE** is used to rinse partial loads of dishes until a full load is accumulated. No detergent is used. Dishware is kept moist until a complete wash and dry cycle can be run.

What happens during this cycle? This cycle provides one rinse.

**ENERGY SAVER—NO HEAT DRY** can be used with any Wash Selection to eliminate the heat during the dry portion of a cycle. The fan of the drying system will continue to operate, helping the dishes to air dry naturally. Under certain conditions, you may find a few drops of water on the dishware and silverware at the end of this cycle.

## TO CANCEL A CYCLE

The Cycle Selection Dial may be used to cancel any cycle in progress. If water is present in the dishwasher, turn the dial slowly to the drain portion of the wash or rinse. You will hear water draining when you have advanced to the proper location. Let the dishwasher drain completely. Lift the door handle and advance the dial to the OFF position before the Rinse & Hold Cycle. This cancels the cycle.

If water is absent from the dishwasher, lift door handle to stop dishwasher action. Relatch door and advance dial to the OFF position before the Rinse & Hold Cycle. This cancels the cycle.

**TO START A NEW CYCLE**— Open dishwasher; check detergent dispenser to be sure it is properly filled. Close and latch door; select the desired new cycle.

## Adding Dishware During a Cycle

You can add a forgotten item to the dishwasher anytime before the wash portion of the cycle. To stop the cycle, just unlatch the door handle. However, opening the door during a cycle lessens the cleaning power, so try to load all items before starting the cycle.

## To Restart Dishwasher

Close the door and latch the handle, push START button and if desired, the Energy Saver button. The cycle will start exactly where it was stopped.

## SPECIAL TIPS ON DISHWASHER USE

### What Can and Cannot Be Washed in Your Dishwasher

Most tableware, cookware, and silverware can be safely washed in your KitchenAid dishwasher. If you have any doubts about a particular piece of dishware, check with the manufacturer to see if it is dishwasher safe. If you cannot reach the manufacturer, simply test-wash a small item for several weeks before attempting to wash an entire set.

*REMEMBER: It is the user's responsibility to determine if dishware should be washed in a dishwasher.*

Material	Dishwasher Safe?	Exceptions/ Special Information	Material	Dishwasher Safe?	Exceptions/ Special Information
Aluminum	Yes	High water temperature and detergents may affect finish of anodized aluminum.	Pewter	No	High water temperatures and detergent may discolor or pit finish.
Cast Iron	No	Seasoning will be removed, and iron will rust.	Plastics	Yes	Always check manufacturer's recommendation before washing. Plastics vary in their capacity to withstand high water temperatures and detergents.
China/ Stoneware	Yes	Always check manufacturer's recommendation before washing. Antique, hand-painted, or over-the glaze patterns may fade. Gold-leaf may discolor. If in doubt, test-wash a small item for several weeks before washing an entire set.	Stainless Steel	Yes	Run a RINSE & HOLD CYCLE if not washing immediately. Prolonged contact with foods containing salt, vinegar, milk products or fruit juice could damage finish.
Crystal	Yes	Always check manufacturer's recommendation before washing. Some types of leaded crystal may etch with repeated washings. If in doubt, test-wash a small item for several weeks before washing an entire set.	Sterling Silver or Silverplate	Yes	Run a RINSE & HOLD CYCLE if not washing immediately. Prolonged contact with food containing salt, acid, or sulfide (eggs, mayonnaise, and seafood) could damage finish.
Dirilyte	No	Gold-colored flatware will discolor.	Tin	No	May rust.
Glass	Yes	Milk glass will yellow with repeated dishwasher washing.	Wooden Ware	No	Always check manufacturer's recommendation before washing. Untreated wood may warp, crack, or lose its finish.
Hollow- Handle Knives	No	Handles of some knives are attached to the blade with adhesives which may loosen if dishwasher washed.			



## LOADING YOUR DISHWASHER

### **A Place for Everything...**

*Forget about hand rinsing.*

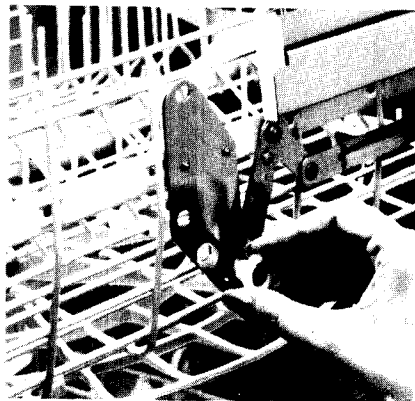
Just scrape leftover food, bones, toothpicks, and other hard items from the dishware. Some foods like eggs, rice, pasta, and cooked cereals may be hard to remove if they are left to dry over a period of time. If you do not plan to wash your dishes fairly soon after use, run a RINSE & HOLD CYCLE to keep them moist until you are ready to run the next wash cycle. Never prewash dishes with a liquid detergent. This kind of detergent will cause sudsing in the dishwasher and will result in poor cleaning and/or spotting and filming on the dishware.

Always load dishware so that soiled surfaces face the rotating wash arm.

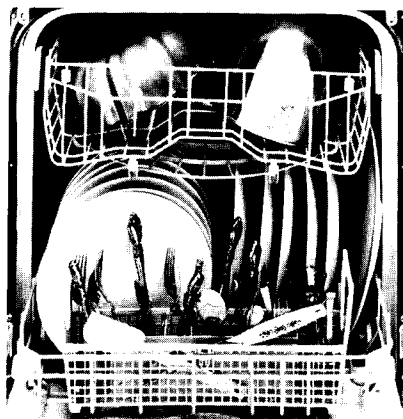
### **Adjustable Upper Rack**

Your KitchenAid dishwasher features a 16-position upper rack which can easily be adjusted whether empty or full.

- Pull the upper rack out so the knobs on either side of the rack are easily reached.
- Pull knob on side of rack out from the retainer plate, raise or lower to desired level, and place knob pin into one of the four holes in the retainer.



Use the *High Position* when loading platters, trays, large roasting pans and other baking utensils in the lower rack.



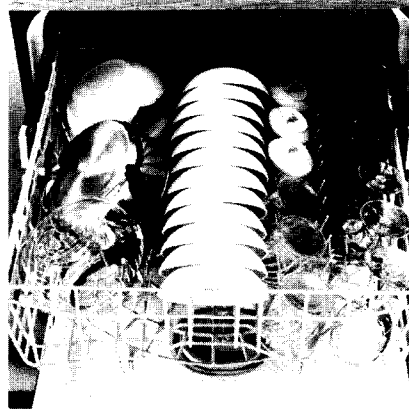
Use the *Low Position* when loading pitchers, deep bowls, and tall stemware in the upper rack.

For a *Combination/Tilted Position*, either side of the rack may be raised or lowered independently of the other to accommodate extra large items in both racks.



Items such as coffee cups and mugs with hollowed out bottom surfaces often collect water. For maximum drainage, load all such items on one side of the rack and tilt it down to aid in drying.

### **Upper Rack Loading Examples**

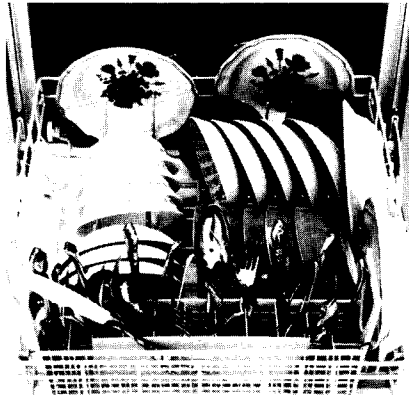
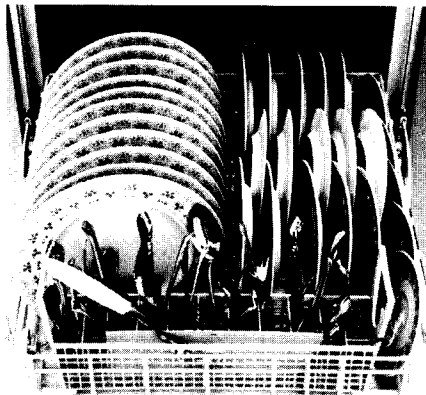


Glasses, cups, bowls, and pans may be loaded together. Stability is important when loading such items.

To achieve stability, load glasses and cups between pins and over pins. Bowls and cups may be loaded in the center row as shown.

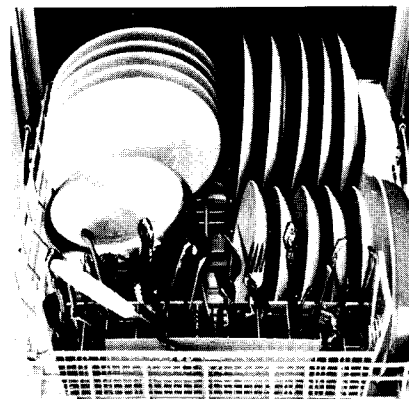
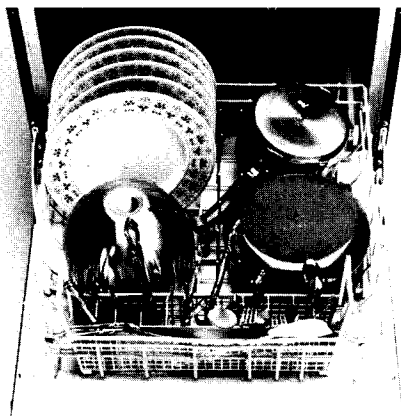
## LOADING YOUR DISHWASHER

### Lower Rack Loading Examples



- For maximum capacity and stability of an all-plate load, overlap or "butterfly" small plates on right side, as shown.

- Cereal/soup bowls may be loaded in a variety of ways, depending upon the shape of the bowls.

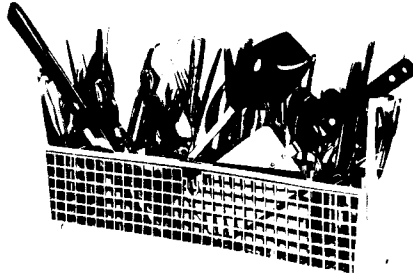


- Plates may be loaded front to back or side to side with pots, pans and large cookware.

### **Silverware Basket**

The silverware/cutlery basket can be removed for loading and unloading.

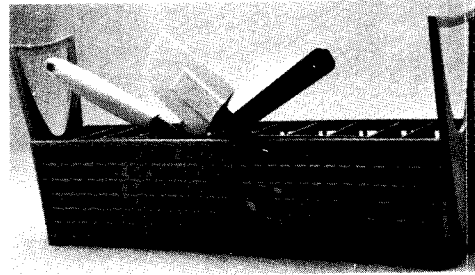
The best washing results will be obtained by loading silverware with handles up and down. **Sharp utensils, however, should be loaded with handles up to prevent possible injury.** Slim handled silverware should also be loaded with handles up to prevent them from protruding through the basket, possibly causing damage to the silverware or dishwasher.



Load forks and spoons so they do not nest together. Nested items cannot be properly washed.



The cutlery section in the front of the basket is for long-handled utensils and long knives.

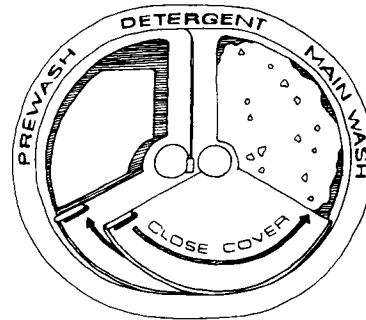


*REMEMBER: Silver and stainless steel flatware may be damaged if exposed to foods containing salt, vinegar, milk products, or fruit juices for long periods of time. Use the RINSE & HOLD CYCLE if flatware is not washed immediately after use.*

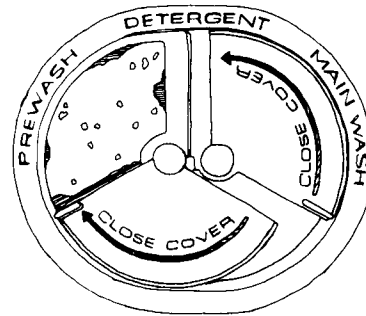
## FILLING THE DETERGENT DISPENSER

### Low Suds Mean High Performance

1. Use an automatic dishwasher detergent such as ALL, CASCADE, ELECTRASOL, or FINISH. Never use soap, hand dishwashing detergent, laundry detergent, or laundry enzyme products. They will produce excessive suds and slow down the wash arm action which could cause flooding.
2. Add detergent to the dispenser immediately before starting. Detergent exposed to moisture over a period of time may become caked and ineffective. An open box of detergent should stay fresh for about one month.
3. Fill the dispenser with the proper amount of detergent, and close the compartment.



SINGLE FILL is occasionally used for the Light Wash Cycle when the dinnerware is lightly soiled.



DOUBLE FILL is used for the Light Wash Cycle and the Normal Wash Cycle.

## HOW MUCH DETERGENT TO USE

### Some Hard Facts:

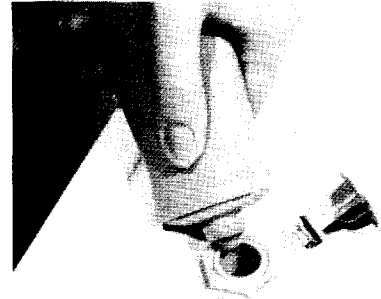
ALWAYS use at least one tablespoon of automatic dishwashing detergent in Main Wash compartment because there are ingredients in detergent to help protect your dinnerware. The amount of detergent needed depends on the amount of food soil on the dishes and the hardness of water. If you have hard water, you will have to use more detergent than if you have soft water. Excessive amounts of detergent combined with soft water may cause etching of glassware.

Contact your local water utility, area water softening company, or state university extension agent to determine whether your water is hard or soft.

WATER HARDNESS	AMOUNT OF DETERGENT
Soft Water 0-4 grains per gallon	Fill each dispenser half full (approximately 2 tablespoons per dispenser).
Medium Hard Water 4-8 grains per gallon	Fill each dispenser 3/4 full (approximately 2-1/2 tablespoons per dispenser).
Hard Water 8-12 grains per gallon	Fill each dispenser completely (approximately 3 tablespoons per dispenser).

## RINSE AGENT DISPENSER

A rinse agent dispenser is optional and may be installed in your dishwasher. For installation, see WHO TO CALL FOR SERVICE, listed in the Warranty.



**WARNING:** DISHWASHER DETERGENTS AND RINSE AGENTS CAN BE HARMFUL IF TAKEN INTERNALLY. FOR SAFETY'S SAKE, PLEASE STORE THESE PRODUCTS OUT OF CHILDREN'S REACH.

## LOW PHOSPHATE DETERGENTS

If you live in a state that mandates low-phosphate dishwasher detergent (phosphate content of 8.7 percent or less), you may find it necessary to use more detergent, particularly if you have hard water. Low-phosphate detergents usually work well in soft water, but in hard water they can cause spotting and filming, even if the amount of detergent used is increased.

## **CARING FOR YOUR DISHWASHER**

### **A Clean Machine...**

#### **General Cleaning**

The porcelain enamel interior of your dishwasher will seldom need cleaning. However, if mineral deposits from hard water accumulate, clean the interior with a mild scouring powder such as BON AMI or follow the suggestions indicated in the "To Remove Spots and Film" section on page 20.

The control panel can be wiped clean with a damp cloth, then dried. NEVER use detergents or abrasive or powdered cleansers which can mar the finish.

The enamel or wood fronts and sides can be cleaned with a soft cloth and a mild, non-abrasive soap and water solution. NEVER use paper towels for cleaning. Always dry with a soft cloth.

#### **Drain Air Gap**

Some state or local plumbing codes require the addition of a drain air gap between a built-in dishwasher and the home drain system. This device protects your dishwasher against water

backing up into it when a drain clogs. The drain air gap is usually located on top of the sink or countertop near the dishwasher.

*REMEMBER: This external plumbing device is not part of your KitchenAid Dishwasher*

#### **To clean the drain air gap:**

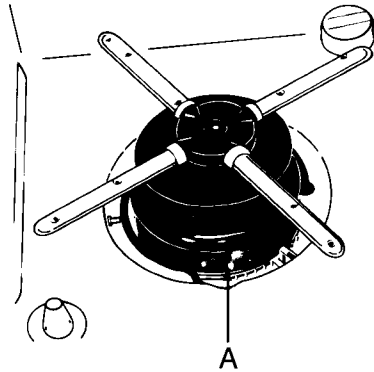
Clean the drain air gap periodically to insure proper drainage of your dishwasher. Follow drain air gap cleaning instructions provided by the manufacturer. With most types, just lift off the chrome cover, unscrew the plastic cap, and then check for any buildup of soil. Clean, if necessary.

#### **Check the Air Gap Anytime Your Dishwasher Isn't Draining Well.**

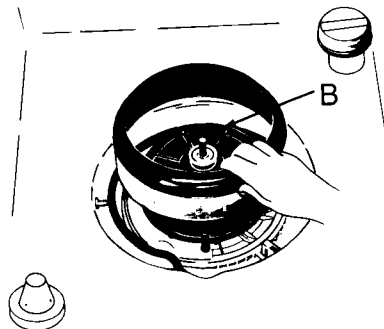
*REMEMBER: The warranty provided with your dishwasher does not cover service costs directly associated with the cleaning or repair of the external drain air gap.*

## FILTRATION SYSTEM

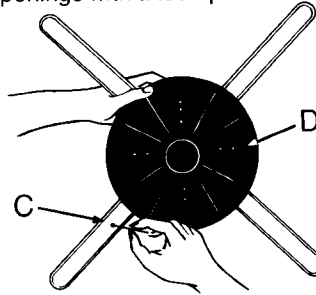
The water in your dishwasher is being continuously filtered by a triple filtration system. The removable stainless steel filter (A) and the ultra-fine filter (B) work simultaneously to trap food soils and prevent them from recirculating and redepositing on dishes. The removable stainless steel filter should not need cleaning under normal use, but if necessary, can be easily lifted out.



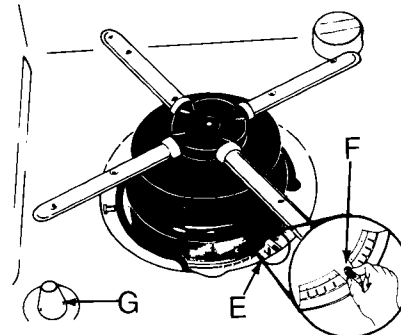
TO REMOVE the stainless steel filter, lift lower wash arm straight up. Lift filter out. TO CLEAN, scrub with a stiff brush under running water. TO REPLACE, snap stainless steel filter over the ultra-fine filter and then replace wash arm. When replacing wash arm, be sure that water jets are facing up.



If the stainless steel filter needs frequent cleaning, or if there is food soil remaining on dishware, check underside of wash arm for blockage of the single stainless steel spray nozzle (C) or the nine water jets (D). Clean out openings with a toothpick.



The Coarse Strainer (E) collects bones, pits, or other large items which may have mistakenly gotten into the dishwasher. On occasion, check the strainer for such items. The Coarse Strainer may be easily removed if necessary. TO REMOVE, lift strainer out by squeezing center section (F) and remove. TO REPLACE, squeeze center section so clips snap into square notch.



Overflow Protection Float — The blue float (G) in the front left corner of the dishwasher tank prevents the dishwasher from overflowing. The float must be in place for the dishwasher to operate.

NOTE: A small amount of water always remains in the sump (under the ultra-fine filter) to lubricate the seal.



## **ENERGY SAVING TIPS**

### **Power to Spare ...**

- Use the ENERGY SAVER-NO HEAT DRY option whenever possible. If you don't need your dishes right away, it pays to air dry them.
- Flash Dry dishes. Because of the heat buildup in dishware during the wash cycle, they can be flash dried (a process which causes water to evaporate very quickly). To flash dry your dishware: After the final rinse, unlatch door and advance Cycle Selection Dial to the OFF position before the Rinse & Hold cycle; open door and pull out racks.  
REMEMBER: In hard water areas, flash drying can increase the likelihood of spotting and filming.
- Turn the temperature setting on your home water heater down to provide a minimum of 120°F (49°C) incoming water to the dishwasher.
- Run the dishwasher only with a full load.
- Do not rinse dishware before loading.
- Use only the cycle and options that you need.
- Run the dishwasher at night during the summer to avoid daytime heat load.

## **SEASONAL STORAGE**

### **Closed for the Season**

CAUTION: To protect against possible rupture of fill valve, BE SURE water lines leading to, as well as in the dishwasher, are well protected against freezing. RUPTURES OF THIS KIND ARE NOT COVERED BY THE WARRANTY.

### **The Winter Season:**

To safeguard your KitchenAid dishwasher when it is exposed to freezing temperatures in a seasonal dwelling, have your local KitchenAid service person do the following:

1. Close and latch the door.
2. Turn off electricity to the dishwasher.
3. Shut off water supply. Place pan under fill valve, and disconnect fill valve at both inlet and outlet sides. Drain water into pan.
4. Place a pan under the check valve outlet, and disconnect the flexible tubing at the check valve. Drain machine water into pan. Leave fill and check valve disconnected.

To restore service, reconnect the fill valve and the connection at the check valve. Turn on the electricity and the water supply. Close and latch the door. Select the LIGHT WASH CYCLE and let the machine complete its cycle. Check connections to make sure they are water tight and do not leak.

### **The Summer Season:**

Two simple steps will safeguard your KitchenAid dishwasher during an idle summer:

1. Turn off the water supply.
2. Turn off electricity to the dishwasher.

## PROBLEM, CAUSE, SOLUTION CHART

### Look Here First...

A convenient checklist for handling minor performance problems. Go over this list before calling for service. If you can't solve your dishwasher's problem, turn to page 24 for service information.

PROBLEM	CAUSE	SOLUTION
Food Soil Left On Dishes	Slowdown of wash arm due to high suds	Use recommended dishwasher detergents only. Never use soap or laundry detergents. Add more dishwasher detergent to increase amount of suds-inhibitors.
	Improper loading	Follow loading instructions in dishwasher Use and Care Guide.
	Low water pressure due to insufficient fill	Home water pressure should be 20 to 120 psi for proper dishwasher fill. A booster pump on the water supply may be necessary if pressure is too low.
	Use of incorrect, too little or ineffective detergent	Use recommended dishwasher detergents only. Follow recommendations in Use and Care Guide for amounts; never use less than one tablespoon per load. Detergent must be fresh to be effective. Always store it in a cool, dry area, preferably in an airtight container.
	Detergent cakes in dispenser	Use fresh detergent only. Do not allow detergent to sit for several hours in a wet dispenser. Have dispenser checked to make sure it is working properly.
	Water temperature is too low	Turn home water heater up so water entering dishwasher is 120°F (49°C) minimum. See recommended procedure "To Check Water Temperature," page 20.
	Filter cleaning spray nozzle on wash arm is blocked	Remove lower wash arm and turn upside down. Check single stainless steel spray nozzle and nine water jets located on underside of wash arm. See page 16. If openings are blocked, clean out with a toothpick.
Spotting and Filming	Hard water or high mineral content in water	Conditioning the final rinse water with a liquid rinse agent helps eliminate spotting and filming. Keep the dispenser full with a rinse agent, such as JET DRY, at all times.
	Water temperature is too low	Turn home water heater up so water entering dishwasher is 120°F (49°C) minimum. See recommended procedure "To Check Water Temperature," page 20.
	Use of incorrect detergents	Use recommended dishwasher detergents only.
	Incorrect amount of detergent	Follow recommendations in dishwasher Use and Care Guide for amount. Heavy soil and/or hard water generally require extra detergent.
	Use of ineffective detergents	Detergent should be fresh. Store in a cool, dry place, preferably in an airtight container. Discard lumpy detergent.
Cycle Takes Extremely Long Time	Insufficient fill caused by low water pressure	Home water pressure should be 20 to 120 psi for proper dishwasher fill. A booster pump on the water supply may be necessary if pressure is too low.
	Water temperature is too low	Turn home water heater up so water entering dishwasher is 120°F (49°C) minimum. See recommended procedure "To Check Water Temperature," page 20.

## PROBLEM, CAUSE, SOLUTION CHART

PROBLEM	CAUSE	SOLUTION
Dishes Do Not Dry Completely	Dishes do not drain properly	Dishes must have proper water drainage. Do not overload. Follow instructions for loading in dishwasher Use and Care Guide. Use a liquid rinse agent to speed draining.
	Plastics	Some plastics, due to material, may need to be towel dried.
Silica Film or Etching (Silica Film is a White Iridescent Deposit; Etching is a Cloudy Film)	A water chemical reaction with certain types of glassware. Usually caused by some combination of soft or softened water, alkaline washing solutions, insufficient rinsing, overloading the dishwasher, and heat of drying.	It may not be possible to prevent problem, except by hand washing. To retard this process, use a minimum amount of detergent but not less than one tablespoon per load. Use a liquid rinse agent and underload the dishwasher to allow thorough rinsing. Remove glasses from dishwasher before dry cycle. Silica film and etching are permanent and cannot be removed.
Black or Gray Marks on Dishes	Aluminum markings	Aluminum pieces should be loaded so that they will not rub against dinnerware during washing. Throw-away aluminum items should not be dishwasher washed because they may break down and cause marking. Aluminum markings can be removed by using a mild abrasive cleanser.
Brown Stains on Dinnerware and Dishwasher Interior	High iron content in water supply	Remove by washing dishes (after food soil has been removed) with 1 teaspoon to 1 tablespoon of citric acid crystals added to Main Wash compartment of detergent dispenser. Do not use detergent. Follow with a LIGHT WASH CYCLE with detergent. If treatment is needed more often than every other month, the installation of an iron removal unit is recommended.
White Spots on Cookware with Non-Stick Finish	Seasoning removed by dishwasher detergents	Re-season cookware after dishwasher washing.
Odor in the Dishwasher	Dishes only washed every two to three days	Run a RINSE & HOLD CYCLE at least once or twice a day until a full load is accumulated.
Chipping of Dishware	Improper loading	Load dishes and glasses so that they are stable and do not strike together from washing action. (Note: Some types of china and glassware are too delicate for automatic dishwashing and should be hand washed; for example: antiques, featheredged and similar types.) Moving racks in and out smoothly will also minimize chipping.

<b>PROBLEM</b>	<b>CAUSE</b>	<b>SOLUTION</b>
Stainless Steel Filter Needs Frequent Cleaning	Filter is not placed in dishwasher correctly	Make sure Stainless Steel Filter is seated properly under wash arm. See page 16.
	Spray nozzle on wash arm is blocked	Remove lower wash arm—see page 16—and turn upside down. On under side of each tube is an indentation. In one of these indentations is a nozzle (hole) which cleans filter. If this nozzle is blocked, clean out with toothpick.
	Dishes not scraped before loading	Make sure leftover food, bones, toothpicks and other hard items are scraped from dinnerware before loading.

### **To Remove Spots and Film:**

To remove spots and film on dishware and glasses, or hard water film on the interior of the dishwasher, you may want to use stripping products such as LIME-A-WAY or GLASS MAGIC. These products are available in the detergent section of your local grocery store; follow the manufacturer's directions.

Or you may use vinegar with the following procedure:

1. Load clean dishes and glasses in dishwasher in regular manner. Do not load silverware or other metals in the dishwasher.
2. Close and latch door and select LIGHT WASH CYCLE. Do not use detergent. Allow dishwasher to run through the first wash. When washer has filled for main wash portion of cycle, unlatch and open door. Add 2 cups of household vinegar. Close and latch door and re-select LIGHT WASH CYCLE.
3. After final rinse water has drained, cancel cycle. Do not allow dishwasher to go through dry portion of cycle.
4. For a final polish, put two tablespoons of non-precipitating type water conditioner (such as CALGON) in the right-hand Main Wash compartment of detergent dispenser, and run dishwasher through complete LIGHT WASH CYCLE.

### **To Check Your Water Temperature**

For best dishwashing results, water should be at least 120°F (49°C) as it enters the dishwasher. To check the temperature, test it at the faucet located nearest your dishwasher.

1. Setting the faucet control for the hottest water possible, run water into a glass set in the sink for at least one minute, allowing it to overflow.
2. Place a candy or meat thermometer into the water and read it at the maximum setting.
3. If the temperature is too low, raise the setting on your water heater.

## CHANGING FRONT PANELS

### A New Look...

Your new KitchenAid dishwasher comes with a Stainless Steel Trim Kit and two front panels installed one behind the other. The flip side of each panel is a different color. You can choose from almond or white (front and back of one panel) and harvest wheat and onyx black (front and back of the other).

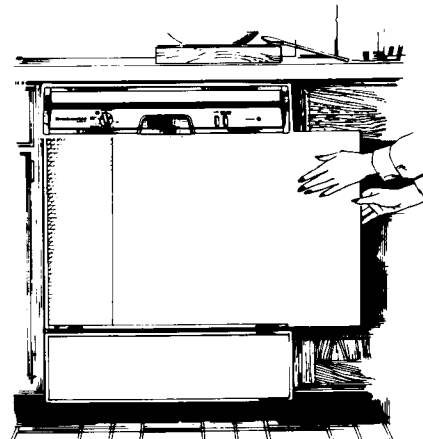
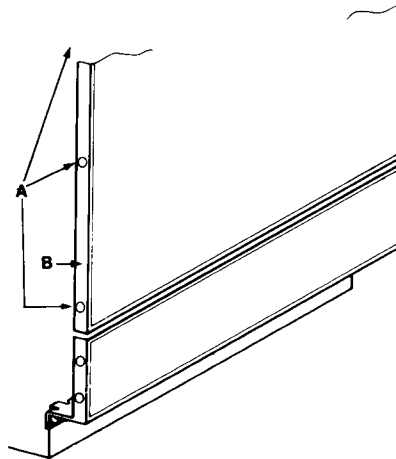
Changing the panel is an easy task. Just follow these steps:

**WARNING: TO PREVENT ELECTRIC SHOCK**, disconnect electrical power supply to dishwasher before changing panels.

#### Upper Panel: Option A

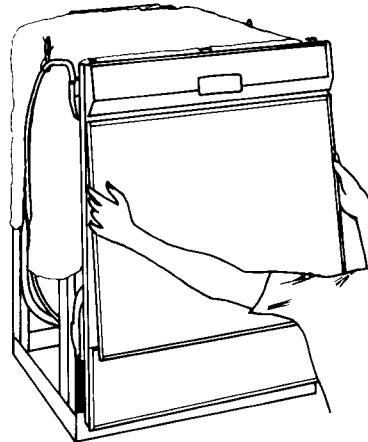
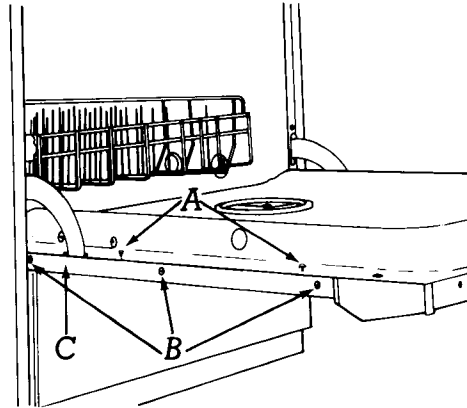
1. Pull door open and on either side of the dishwasher door, remove the three screws (A) from the trim (B). Remove the loosened piece of trim.
2. Slide the panel out. Handle carefully so the panels will not be scratched or bent. Turn the panel to the desired color. Place the color panel in position then push the filler panel in behind it.
3. Replace the trim (B) and the three screws (A).

**NOTE:** If you are unable to change your upper panel using the above method due to the position of the dishwasher in relation to appliances and cabinets, follow the procedure outlined on the next page.

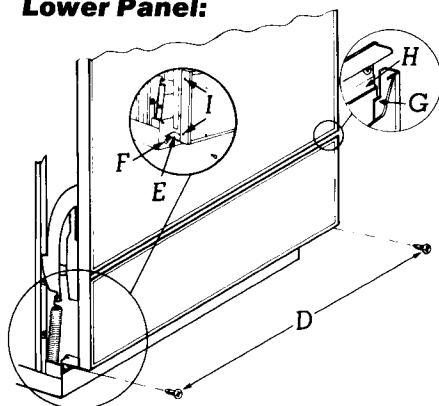


### **Upper Panel: Option B**

1. Pull door open. Remove the two screws (A) on each side of the dishwasher door that secure the upper panel assembly.
2. Close door while holding upper panel in place. Pull out lower edge of panel until top edge of panel drops down.
3. Place panel on a smooth, flat surface and remove three screws (B) from either side of panel to remove the trim strip (C).
4. Slide the panel out. Handle carefully so the panel will not be scratched or bent. Turn the panel to the desired color. Place the color panel in position then push the filler panel in behind it.
5. Replace the trim strip and the three screws.
6. With hands placed at lower side of panel, slide the top edge of the panel up into position under the control panel (see illustration to the right).
7. Hold the panel in place and open the door.
8. Hold panel in position with one hand. Replace the two screws (A) on each side of the dishwasher door that secure the panel assembly.



### Lower Panel:



1. Remove two screws (D) located under panel.
2. With hands placed under ends of panel, lift support tabs (E) and pull out until tabs clear kick plate (F).
3. Pull lower panel down until side flanges (G) clear the support strip (H). Lower panel is then removed from dishwasher.
4. Place panel on a smooth, flat surface and remove the two screws (I) from either side of the trim. Take off the loosened piece of trim.
5. Slide the panel out. Handle carefully so the panel will not be scratched or bent. Turn the panel to the desired color. Place the color panel in position then push the filler panel in behind it.
6. Replace the trim and screws (I).
7. Holding the assembled lower panel, slide the panel up onto the dishwasher front so that the side flanges (G), fit up behind the support strip (H). If this is done improperly, the lower panel will be loose and may fall off the dishwasher.
8. Lift support tabs (E) of panel up and push lower portion of panel back until support tabs (E) rest on kick plate (F).
9. Replace the screws (D).
10. Check that upper and lower panels are secure.
11. Reconnect electrical power supply.

## OPTIONAL FRONT PANELS

### More to Choose From

#### 1. Wood

The stainless door trim will accommodate a custom wood front up to ¼ inch thick. Some wood panels are heavy and require special heavy dishwasher door springs. These may be ordered from your KitchenAid dealer as a service item, part #240418. For more information on installing a custom wood front, refer to the Dishwasher Installation Instructions. If you have misplaced these instructions, please write to:

Manager  
Customer Relations  
KitchenAid Division  
Hobart Corporation  
Troy, Ohio 45374

#### 2. Solid Colors

If the four colors provided with your dishwasher don't fit your kitchen decor, you can also order custom panels from your KitchenAid dealer in Fresh Avocado, Coffee, and Stainless Steel.

## WHEN YOU NEED SERVICE

### Follow These Steps

1. If your dishwasher should fail to operate, review the following list before calling your dealer. You could save the cost of a service call.

Has a fuse blown, or is the circuit breaker open?

Is the door closed and latched, and a cycle selected?

Is the overflow protection float in place? See page 16.

Is the water supply to the dishwasher turned on?

2. If your dishwasher is not washing properly, refer to the Problem, Cause, Solution chart on page 18 before you make a service call.
3. If the problem is not due to one of the above items, see "Who To Call for Service" listed in the Warranty Statement.
4. If you are not satisfied with the action taken, contact the Major Appliance Consumer Action Panel (MACAP). MACAP is a group of independent consumer experts that voices consumer views at the highest levels of the major appliance industry. Contact them only when the dealer, au-

thorized servicing outlet, wholesale distributor, and Hobart Corporation have failed to resolve your problem.

Major Appliance Consumer  
Action Panel  
20 North Wacker Drive  
Chicago, IL 60606

MACAP will in turn inform us of your action.

In all correspondence about your dishwasher, please include:

- Date
- Your Name, Address, and Telephone Number
- Type of Appliance
- Brand
- Model Number
- Serial Number
- Date Purchased
- Dealer from Which Purchased (include address)
- Servicing Agent (include name and address if different from dealer's)
- Location of Appliance
- A Clear Description of the Problem and the Service Required



# KitchenAid WHOLESALE DISTRIBUTORS

## ALABAMA

Birmingham 35201  
Bellows-Evans, Inc.  
P.O. Box 1537  
(205) 791-0890

## ALASKA

Anchorage 99501  
North by Northwest, Inc.  
1000 E. 4th Avenue  
(907) 278-3595

## ARIZONA

Phoenix 85043  
National Brands, Inc.  
4633 W. Polk Street  
(602) 269-3201

## ARKANSAS

Little Rock 72209  
Arkansas Appliance Dist. Co.  
5500 Patterson Rd.  
(501) 568-4310

## CALIFORNIA

Burlingame 94010  
R & K Distributors, Inc.  
1701 Rollins Rd.  
P.O. Box 4348  
(415) 692-3062

## Commerce 90040

Sues, Young & Brown, Inc.  
2200 Saybrook Ave.  
P.O. Box 22171  
(213) 724-2400

## Fresno 93715

Devlin-Drew Co.  
165 Broadway  
P.O. Box 1326  
(209) 233-8811

## San Diego 92126

Sues, Young & Brown, Inc.  
9586 Dist. Ave.  
Suite "H" (619) 693-8839

## COLORADO

Denver 80239  
McNair Distributing Co.  
5015 Paris Street  
P.O. Box 39921  
(303) 371-2780

## CONNECTICUT

North Haven 06473  
The Boyd Corporation  
450 Sackett Point Rd.  
P.O. Box 476  
(203) 288-3821

## FLORIDA

Jacksonville 32203  
Cain & Bultman, Inc.  
2145 Dennis St.  
P.O. Box 2815  
(904) 356-4812

## Miami 33169

Cain & Bultman, Inc.  
1111 N.W. 165th Street  
(305) 625-0461

## Tampa 33602

Cain & Bultman, Inc.  
202 N. 11th Street  
(813) 229-6571

## GEORGIA

Atlanta 30325  
W. D. Alexander Co.  
Division of Cain & Bultman, Inc.  
P.O. Box 19818  
(404) 351-8200

## HAWAII

Area 96701  
Hobart Corporation  
99-950 Iwaena St.  
(808) 487-8910

## ILLINOIS

Oak Brook 60521  
Remco-Federal, Inc.  
620 Enterprise Dr.  
(312) 654-2111

## Peoria 61615

Remco-Federal, Inc.  
8635 N. Industrial Rd.  
(309) 692-4521

## INDIANA

Indianapolis 46219  
Rodefeld Co., Inc.  
8641 E. 30th St.  
P.O. Box 19326  
(317) 898-0670

## South Bend 46625

Mid West Sales and Ser., Inc.  
917 S. Chapin St.  
(219) 287-3365

## IOWA

Davenport 52807  
Remco-Federal, Inc.  
3707 Mississippi Ave.  
(319) 386-3040

## Des Moines 50309

H. E. Sorenson Co.  
100 S.W. First St.  
(515) 244-6267

## KANSAS

Wichita 67202  
Liberty Distributors, Inc.  
149 N. Rock Island  
(316) 264-7393

## Lenexa 66215

Zenith Distributing Corp.  
of Kansas  
12600 W. 93rd St.  
(913) 888-4800

## KENTUCKY

Louisville 40201  
Roth Dist. Co., Inc.  
3001 Crittenden Dr.  
P.O. Box 2161  
(502) 634-4701

## LOUISIANA

New Orleans 70183  
George H. Lehleitner & Co., Inc.  
P.O. Box 23707  
(504) 734-0530

## Shreveport 71166

Tri-States Distributing Co., Inc.  
P.O. Box 1740  
(318) 221-0533

## MAINE

Portland 04106  
The Boyd Corporation  
75 Darling Ave.  
(207) 774-0326

## MARYLAND

Baltimore 21223  
The Zamoiski Co.  
1101 DeSoto Rd.  
(301) 644-2900

## MASSACHUSETTS

Woburn 01801  
The Boyd Corporation  
112 Commerce Way  
(617) 935-9165

## MICHIGAN

Lansing 48901  
Geo. Worthington Co.  
1611-35 N. Grand River Ave.  
(517) 487-3701

## Alma 48801

Fischer-Flack, Inc.  
6585 N. Jerome  
(517) 463-6104

## Taylor 48180

Radio Distributing Co.  
27015 Trolley Dr.  
(313) 295-4500

## Wyoming 49508

Radio Distributing Co.  
425 36th Street S.W.  
(616) 531-2310

## MINNESOTA

Eden Prairie 55344  
Roth Distributing Co., Inc.  
7640 Commerce Way  
(612) 937-9540

## MISSISSIPPI

Jackson 39209  
McKee and McRae, Inc.  
845 Boiling St.  
(601) 969-3002

## MISSOURI

St. Louis 63146  
Roth Distributing Co., Inc.  
2392 Grissom Dr.  
(314) 567-4100

## MONTANA

Billings 59107  
Taylor Distributing Co.  
4148 First Ave., South  
P.O. Box 30237  
(406) 245-3055

## NEBRASKA

Omaha 68127  
The Mark Anthony Co.  
9767 "L" St.  
(402) 339-5410

## NEW JERSEY

Newark 07102  
Igoe Appliance Corp.  
35 Halsey St.  
(201) 624-2000

## NEW MEXICO

Albuquerque 87197  
Consolidated Dist. Co., Inc.  
Sun City Warehouse  
1421 Broadway, N.E.  
P.O. Box 6364 Station "B"  
(505) 247-0137

**NEW YORK**

Buffalo 14203  
Lee Distributing Co., Inc.  
845 Washington St.  
(716) 856-7921

**Latham 12110**

Empire State Wholesalers, Inc.  
5 Avis Dr.  
P.O. Box 759  
(518) 783-5511

**Syracuse 13211**

Lee Distributing Co., Inc.  
6671 Commerce Blvd.  
(315) 437-6544

**Woodbury 11797**

Leck Industries, Ltd.  
135 Crossways Park Dr.  
(516) 921-8000

**NORTH CAROLINA**

Charlotte 28208  
Southern Radio Corp.  
1625 W. Morehead St.  
P.O. Box 668309  
(704) 376-4461

**Raleigh 27611**

Warren Distributing Corp.  
226 Glenwood Ave.  
P.O. Box 26628  
(919) 828-9100

**NORTH DAKOTA**

Fargo 58102  
Northern Plains Dist., Inc.  
4014-15th Ave. North  
(701) 282-7500

**OHIO**

Cincinnati 45227  
The Tracy-Wells Co.  
5660 Wooster Pike  
(513) 271-1813

**Columbus 43214**

The Tracy-Wells Co.  
3568 Indianola Ave.  
P.O. Box 14333  
(614) 261-0331

**Dayton 45401**

V. J. McGranahan, Inc.  
1415 Stanley Ave.  
P.O. Box 922  
(513) 222-9911

**Solon 44139**

Midland Electric Co.  
5100 Naiman Parkway  
(216) 248-8040

**Holland 43528**

McKimmy & Elliott Dist. Co.  
6509-25 Angola Rd.  
P.O. Box 367  
(419) 865-5377

**OKLAHOMA**

Oklahoma City 73105  
Modern Distributors, Inc.  
200 E. Hill  
(405) 528-4537

**OREGON**

Portland 97214  
Dean Distributing Co., Inc.  
139 S.E. Taylor St.  
P.O. Box 14039  
(503) 238-0558

**PENNSYLVANIA**

Duncansville 16635  
Good Distributors, Inc.  
Corner Routes 22 & 220  
P.O. Box 306  
(814) 696-0246

**Kingston 18704**

Arrow Appliances &  
Electronics Dist. Co.  
936 Rutter Ave.  
P.O. Box 1428  
(717) 287-2188

**Philadelphia 19116**

S. S. Fretz, Jr., Inc.  
2001 Woodhaven Rd.  
(215) 671-8300

**Pittsburgh 15221**

Houston-Starr Co.  
300 Brushton Ave.  
(412) 242-6000

**York 17405**

Raub Supply Co.  
3001 W. Market St.  
(717) 792-9711

**RHODE ISLAND**

Providence 02914  
The Boyd Corporation  
315 Harris Ave.  
(401) 421-9005

**SOUTH CAROLINA**

Columbia 29201  
Southern Radio Corp.  
Stadium Road  
P.O. Box 467  
(803) 799-6143

**SOUTH DAKOTA**

Sioux Falls 57103  
Max Pasley, Inc.  
506 S. Cliff  
(605) 336-3760

**TENNESSEE**

**Chattanooga 37421**  
153 Warehouse Mart  
(615) 899-1290

**Knoxville 37919**

Creswell & Co., Inc.  
3910 Papermill Rd.  
(615) 584-9171

**Memphis 38114**

King Kitchens, Inc.  
2449 Scaper St.  
(901) 743-9821

**Nashville 37202**

Hermitage Electric Supply Corp.  
531 Lafayette St.  
P.O. Box 24990  
(615) 244-4167

**TEXAS**

Amarillo 79105  
Consolidated Dist. Co., Inc.  
2300 North Western  
P.O. Box 149  
(806) 372-1246

**Dallas 75243**

The Stewart Co.  
11000 N. Central Expressway  
(214) 691-5555

**El Paso 79901**

Consolidated Dist. Co., Inc.  
1830 Mills Ave.  
(915) 533-4464

**Houston 77043**

Earl McMillan Sales, Inc.  
1100 W. Belt Dr., North  
(713) 467-1751

**San Antonio 78294**

Central Distributing Co.  
1201 E. Houston Street  
P.O. Box 1229  
(512) 225-1541

**UTAH**

Salt Lake City 84125  
Wells Dist. Co.  
2620 S. 900 West  
P.O. Box 25008  
(801) 972-8700

**VERMONT**

Burlington 05402  
Vermont Appliance Co.  
44 Lakeside Ave.  
(802) 864-9831

**VIRGINIA**

Richmond 23223  
Bluefield Distributing Co.  
2400 Magnolia Court  
(804) 649-7521

**Roanoke 24015**

Dixie Appliance Co.  
P.O. Box 4009  
(703) 342-6000

**WASHINGTON**

Tukwila 98188  
F. B. Connelly Co.  
720 Andover Park E.  
P.O. Box 88407  
(206) 575-0410

**Seattle 98134**

North by Northwest, Inc.  
270 S. Hanford Street  
(206) 447-1800

**Spokane 99220**

Taylor Distributing Co., Inc.  
East 124 Sinto  
P.O. Box 3435 TA  
(509) 328-8110

**WEST VIRGINIA**

Charleston 25326  
Eskew, Smith & Cannon  
1206 Smith St.  
P.O. Box 1626  
(304) 344-3411

**WISCONSIN**

Milwaukee 53225  
Roth Distributing Co., Inc.  
11925 W. Carmen Ave.  
(414) 353-9000

# KITCHENAID® WARRANTY

## KD-21 Series Dishwasher

LENGTH OF WARRANTY:	KITCHENAID WILL PAY FOR:	KITCHENAID WILL NOT PAY FOR:
<b>ONE YEAR FULL WARRANTY</b> FROM DATE OF INSTALLATION ON BUILT-IN MODELS AND FROM DATE OF PURCHASE ON PORTABLE MODELS.	Replacement parts and repair labor to correct defects in materials or workmanship. Service must be provided by a KitchenAid wholesale distributor or by one of their authorized KitchenAid servicing outlets.	A. Service calls to: 1. Correct the installation of the dishwasher. 2. Instruct you how to use the dishwasher. 3. Replace house fuses or correct house wiring. 4. Correct house plumbing.  B. Repairs when dishwasher is used in other than normal home use.  C. Damage resulting from accident, alteration, misuse, abuse, improper installation or installation not in accordance with local electrical and plumbing codes.  D. Any labor costs during limited warranty.
<b>FIVE YEAR LIMITED WARRANTY</b> <b>ONE YEAR FULL PLUS SECOND THROUGH FIFTH YEAR LIMITED</b> FROM DATE OF INSTALLATION ON BUILT-IN MODELS OR DATE OF PURCHASE ON PORTABLE MODELS.	Replacement parts (labor costs not included) for the one-half horsepower motor if defective in materials or workmanship.	
<b>TEN YEAR LIMITED WARRANTY</b> <b>ONE YEAR FULL PLUS SECOND THROUGH TENTH YEAR LIMITED</b> FROM DATE OF INSTALLATION ON BUILT-IN MODELS OR DATE OF PURCHASE ON PORTABLE MODELS.	Replacement parts (labor costs not included) for the TriDura™ Porcelain-on-steel tank or inner door if the tank or inner door develops a water leak as the result of defective materials or workmanship.	

### HOBART CORPORATION DOES NOT ASSUME ANY RESPONSIBILITY FOR INCIDENTAL OR CONSEQUENTIAL DAMAGES.

Some states do not allow the exclusion or limitation of incidental or consequential damages, so this exclusion or limitation may not apply to you.

This warranty gives you specific legal rights and you may also have other rights which vary from state to state.

### HOW TO ARRANGE FOR SERVICE

- First call your dealer or repair service he recommends.
- If for some reason he is not available, or if you now reside in an area other than where the unit was purchased, look in the yellow pages of your phone book under "Dishwashing Machines" for authorized KitchenAid servicing outlets.
- If you are unable to obtain satisfactory service, contact the KitchenAid wholesale distributor. He is listed in the yellow pages of all metro area phone books under "Dishwashing

Machines." A complete distributor listing is also printed in the Use and Care Guide furnished with the product.

- All service should be handled locally by the dealer from whom you purchased the unit or an authorized KitchenAid servicing outlet or wholesale distributor. If your local service is not satisfactory, contact the Customer Relations Department, KitchenAid Division, Hobart Corporation, Troy, Ohio 45374, phone 513-335-7171.

## Free Manuals Download Website

<http://myh66.com>

<http://usermanuals.us>

<http://www.somanuals.com>

<http://www.4manuals.cc>

<http://www.manual-lib.com>

<http://www.404manual.com>

<http://www.luxmanual.com>

<http://aubethermostatmanual.com>

Golf course search by state

<http://golfingnear.com>

Email search by domain

<http://emailbydomain.com>

Auto manuals search

<http://auto.somanuals.com>

TV manuals search

<http://tv.somanuals.com>