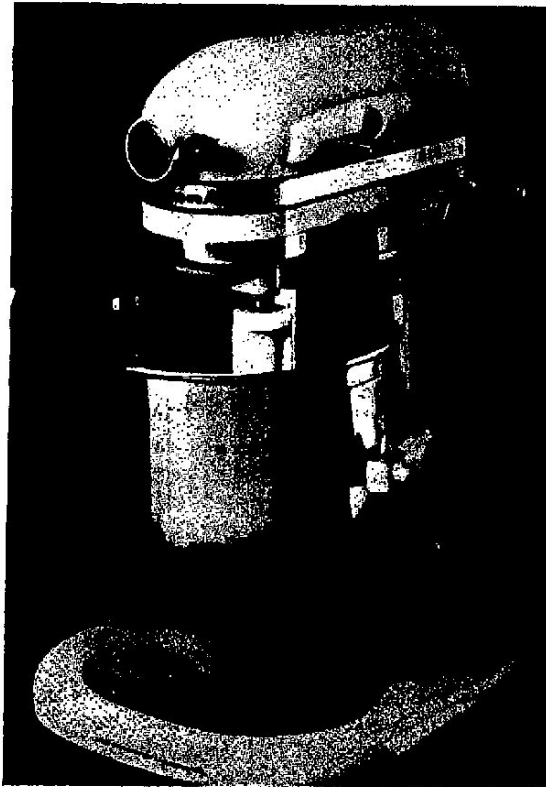


This Exploded Drawing is for Informational Purposes Only. No Technical Support or Installation Instructions are Available.  
If you do not see the part you are looking for on our website, please email [partsrequest@smallappliance.com](mailto:partsrequest@smallappliance.com) for assistance.

# INSTRUCTION MANUAL

. . . *with Catalog of Replacement Part*



**KitchenAid**  
FOOD PREPARER

**MODEL K5-A**

ML-34113

KITCHENAID DIVISION

**HOBART**

TROY, OHIO 45374

FORM 12110B (Rev. 4-79) (Supds. F. 12110A, 5-78)

## Instructions For Operation and Care of MODEL K5-A KITCHENAID MIXER

### MOTOR:

The K5-A Mixer is equipped with a built-in motor for operation on alternating current of the **VOLTAGE SPECIFIED** on the band (3). It should not be used on current that varies more than 10% from the voltage specified.

In normal service, the temperature of the motor will rise, especially if mixer is operated for some time. However, this is a perfectly normal condition and will not harm the mixer.

The commutator brushes can be removed by unscrewing the synthetic caps (2) on each side of the mixer. When the brushes have worn down until the square part is approximately an eighth of an inch long, they should be replaced.

### LUBRICATION:

Motor bearings are self-lubricating and should require no further attention under normal use as a household appliance.

Apply a little grease to the slideways (9) once in a while, with the tip of your finger, to keep the bowl lift working smoothly.

### SPEEDS:

To start the motor, move the switch control lever (1) forward. The speed at which the mixer operates is governed by the position to which the lever is moved. The highest speed is at No. 10. To stop the motor, push the switch control lever back to "OFF".

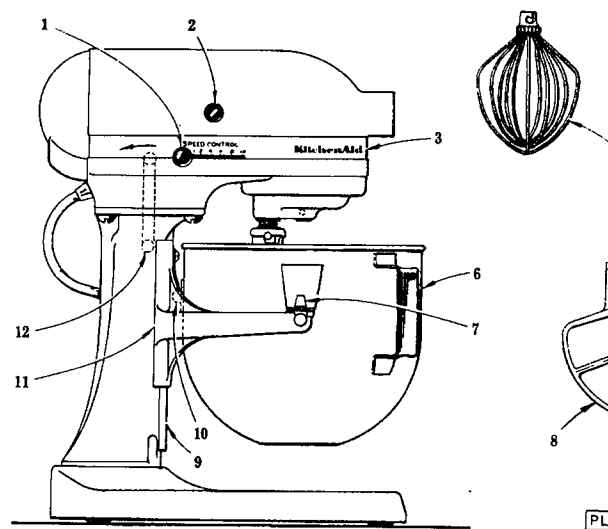
### BOWL:

To put on the bowl (6), first locate the back bowl pin (10) in the notch at the back of the bowl support (11), then snap the side ears down over the locating pins (7).

### BOWL LIFT:

Before a beater can be put on or taken off, the bowl must be lowered. To lower, move the bowl-lift handle (12) back as shown by the arrow in the illustration.

Lowering also makes the bowl more accessible for filling.



To mash potatoes or to cream butter, start bowl in its lower position and raise it slowly to working position as the materials break up.

### MIXING ATTACHMENTS:

Three mixing attachments are regularly furnished. The flat beater (8) is used for the heavy mixing, such as mashing potatoes, creaming butter, mixing biscuit dough and the heavier batters. The wire whip (4) should be used only for light mixing, such as beating eggs and whipping cream. The dough hook (5) is used to knead and mix yeast bread.

Consult the KitchenAid Recipe Book, which contains suggestions for selecting the proper beater for each mixing job at hand and also mentions the speed to use, and the time required.

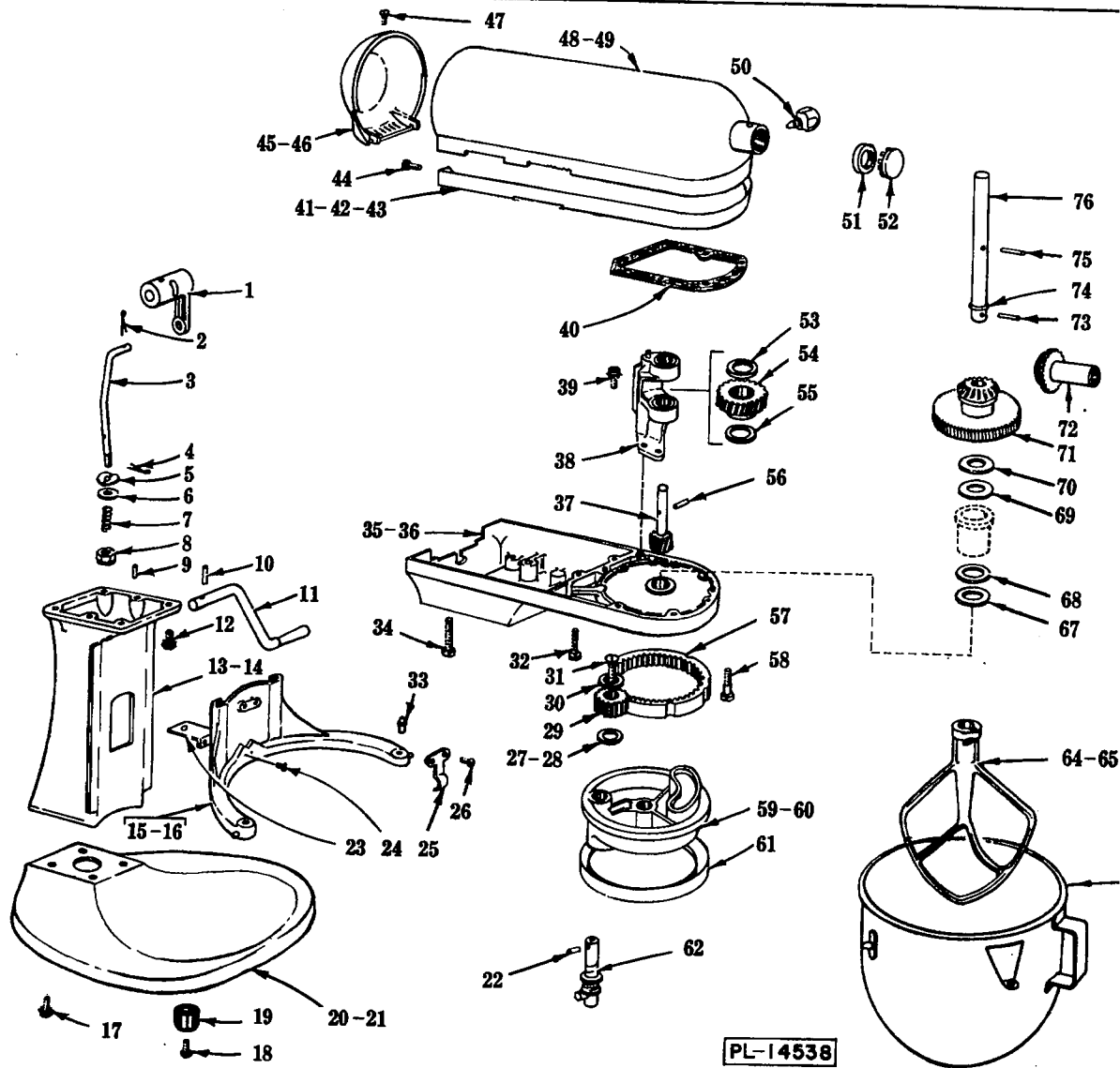
### ATTACHMENTS:

Some attachments available for this model

- Food Grinder
- Juice Extractor
- Vegetable Slicer and Shredder
- Ice Cream Freezer (4 Qt.)
- Colander and Sieve
- Can Opener
- Grain Mill
- Buffing Wheel

The motor should not be running when

# K5-A REPLACEMENT PARTS



## CASE, GEARING AND PLANETARY UNIT

ILLUS. NO.	PART NO.	NAME OF PART	AM
	1	D-240241-2 Arm - Bowl Lift	1
	2	PC-3-32 Cotter Pin - 3/32" x 1/2"	1
	3	C-9085 Rod - Bowl Lift	1
	4	PC-3-32 Cotter Pin - 3/32" x 1/2"	1
	5	B-103906-2 Washer (V)	1
	6	WS-3-23 Washer	1
	7	C-9237 Spring	1
	8	NS-31-23 Stop Nut - 1/4"-28 "Elastic"	1
	9	D-11800-215 Dowel	1
	10	PT-3-39 Taper Pin - #2 x 3/4" Lg	2
	11	B-9079 Handle - Bowl Lift	1
	12	B-240912 Special Screw - 5/16"-18 x 3/4" Pan Hd	1
	*13	B-240921-1 Column & Dowel Assy. (Incls. item #9)	4
	**14	B-240921-2 Column & Dowel Assy. (Incls. item #9)	1
	*15	C-240160-2 Bowl Support Sub-Assy. (Incls. item #33)	1

\*White.  
\*\*Golden Harvest.

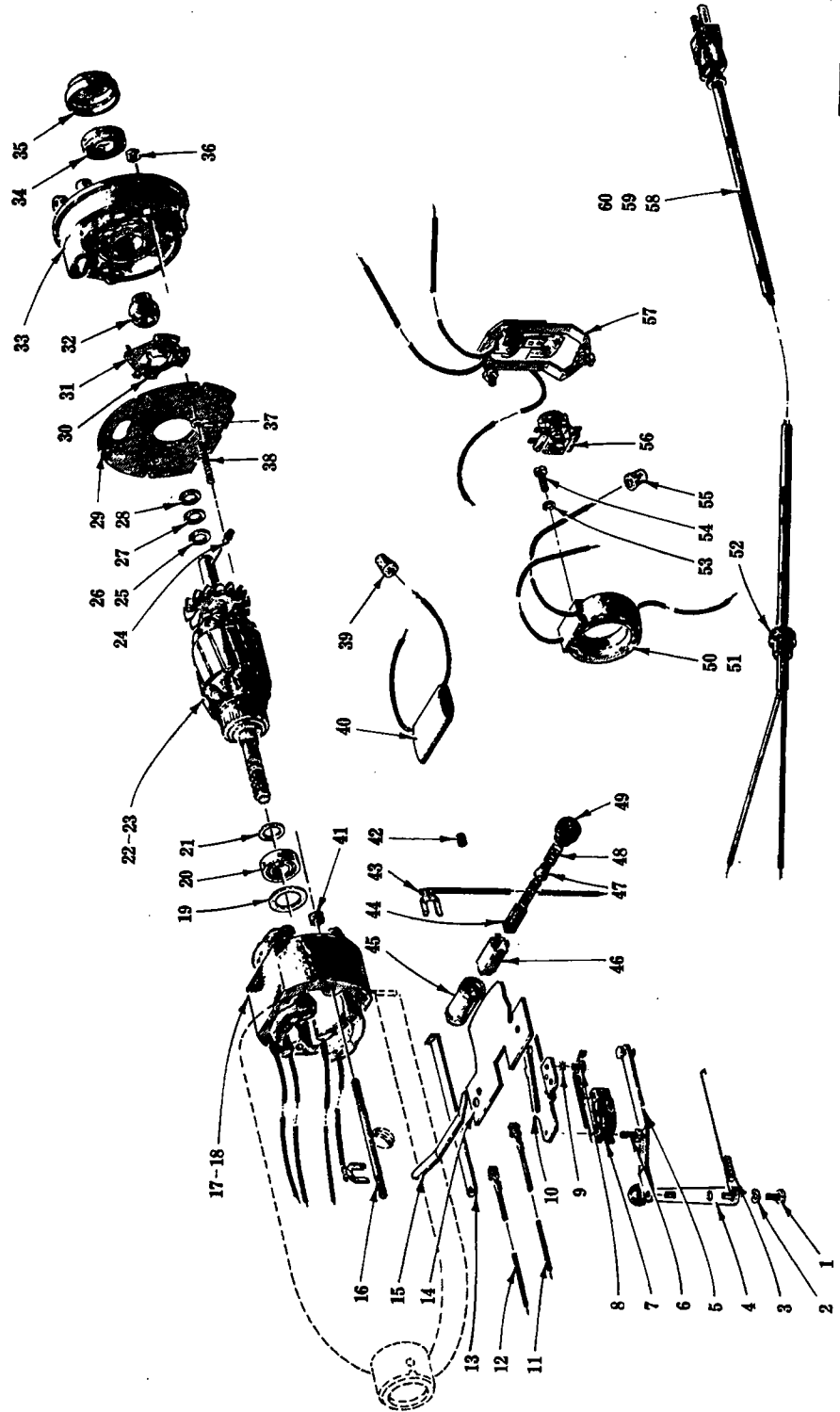
## CASE, GEARING AND PLANETARY UNIT (Cont.)

ILLUS. PL-14538	PART NO.	NAME OF PART	AM
**16	C-240160-3	Bowl Support Sub-Assy. (Incls. item #33)	1
17	B-240912	Special Screw - 5/16"-18 x 3/4" Pan Hd	4
18	SD-8-43	Self-Tapping Screw - #8 x 3/8" Phil. Rd. Hd., Type B	4
19	C-240211	Foot - Rubber	4
*20	D-240493-2	Base & Foot Support Sub-Assy	1
**21	D-240493-3	Base & Foot Support Sub-Assy	1
22	C-240018-1	Pin (Agitator Shaft, Pinion)	1
23	B-240169	Bracket - Bowl Lift	1
24	SC-13-48	Mach. Screw - #10-24 x 1/2" Flat Hd	2
25	B-9083	Latch - Bowl Spring	1
26	SC-7-72	Mach. Screw - #10-24 x 1/4" Rd. Hd	2
27	WS-7-31	Washer - Shim (.015" Thk.)	AR
28	WS-7-32	Washer - Shim (.031" Thk.)	AR
29	C-115415	Gear - Pinion (18T) (Agitator Shaft)	1
30	B-9042	Washer - Retaining	1
31	SC-13-62	Mach. Screw - #10-32 x 5/16" Flat Hd	1
32	SC-12-43	Mach. Screw - #10-24 x 1-3/4" Fil. Hd	2
33	C-240185	Pin - Bowl Locating	2
34	SC-11-22	Mach. Screw - #10-24 x 1" Fil. Hd	2
*35	B-240581-1	Gear Case & Cord Assy. (Incls. Cord & Strain Relief)	1
**36	B-240581-2	Gear Case & Cord Assy. (Incls. Cord & Strain Relief)	1
37	C-240210-2	Shaft & Pinion (10T)	1
38	C-240308	Worm Gear Bracket & Brg. Assy	1
39	SA-14-10	Screw & L.W. Assy. - #10-24 x 7/16" Phil. Fil. Hd	3
40	C-16902	Gasket	1
41	D-240874-1	Trim Band & Name Plate (115 V., 60 Hz., 1 Ph.)	1
42	D-240874-2	Trim Band & Name Plate (115 V., 50/60 Hz., 1 Ph.) (Not UL & CSA Approv.)	1
43	D-240874-3	Trim Band & Name Plate (230 V., 50/60 Hz., 1 Ph.) (Not UL & CSA Approv.)	1
44	SD-32-25	Self-Tapping Screw - #6-32 x 1/4" Phil. Pan Hd., Type F	2
*45	E-240253-1	Cover - End	1
**46	E-240253-3	Cover - End	1
47	SC-109-65	Mach. Screw - #6-32 x 3/8" Phil. Oval Hd	1
*48	C-240291-1	Gear Case & Motor Housing Sub-Assy. (Incls. item #51)	1
**49	C-240291-3	Gear Case & Motor Housing Sub-Assy. (Incls. item #51)	1
50	B-240374	Thumb Screw Assy. - 5/16"-18	1
51	C-18697	Ring - Attachment Hub	1
52	B-18819	Cap - Attachment Hub	1
53	WS-6-4	Washer - Fiber (.015" Thk.)	AR
54	C-115798	Worm Gear Sub-Assy. (23T)	1
55	WS-6-5	Washer - Fiber (.031" Thk.)	AR
56	PG-7-5	Groov-Pin - Type E, 3/32" x 3/4"	1
57	C-115416	Gear - Internal (59T)	1
58	B-103994	Screw - Special	5
*59	C-240286-4	Planetary Sub-Assy	1
**60	C-240286-5	Planetary Sub-Assy	1
61	C-240285	Drip Ring - Planetary	1
62	B-61471	Agitator Shaft Sub-Assy	1
63	E-240340	Bowl - 5 Qt. (SST)	1
64	D-240235-1	"B" Flat Beater	1
65	D-240321-1	"E" Dough Hook	1
66	C-103355	"D" Wire Whip	1
67	WS-8-6	Washer - Fiber (.031" Thk.)	AR
68	WS-8-8	Washer - Fiber (.047" Thk.)	AR
69	WS-8-8	Washer - Fiber (.047" Thk.)	AR
70	WS-8-6	Washer - Fiber (.031" Thk.)	AR
71	D-115417-1	Bevel Pinion (19T) & Center Gear (62T)	1
72	D-115418-1	Gear - Attachment Hub Bevel (23T)	1
73	PG-7-14	Groov-Pin - Type E, 5/32" x 7/8"	1
74	D-67500-55	"O" Ring	1
75	C-240018-1	Pin (Vertical Center Shaft)	1
76	C-240026	Shaft - Vertical Center	1
	C-240309-2	Worm Gear Bracket & Gear (23T) Assy. (Incls. items #37, 38, 53, 54, 55 & 56)	1
	M-101593	Center Shaft & "O" Ring Sub-Assy. (Incls. items #40, 73, 74, 75 & 76)	1

\*White.

\*\*Golden Harvest.

K5-A REPLACEMENT PARTS



PL-16397

MOTOR AND CONTROL UNIT

## MOTOR AND CONTROL UNIT

ILLUS. PL-16397	PART NO.	NAME OF PART	AM
1	B-110679	Screw - Pivot	1
2	C-116241	Washer - Spring	1
3	C-103995	Spring - Control Plate	1
4	B-16949	Switch Lever & Studs Sub-Assy	1
5	B-111826	Switch Control Link Sub-Assy	1
6	SD-24-43	Self-Tapping Screw - #4-40 x 1/2" Phil. Pan Hd. "Taptite"	2
7	B-87711-130	Switch	1
8	B-17327	Screw - Switch Bracket	2
9	WL-7-1	Lock Washer - #6 Ext. Shakeproof	2
10	C-111813	Bracket - Switch Mounting	1
11	B-240136	Lead Wire Assy. (Green)	1
12	B-240137	Lead Wire Assy. (Yellow)	1
13	B-18048	Link - Speed Control Connecting	1
14	C-16990	Baffle - Gear Case Cover	1
15	C-240205	Spring - Speed Control	1
16	B-16973	Screw - Stator	2
17	D-82204-1	Field Assy. (115 V., 50/60 Hz., 1 Ph.)	1
18	D-82204-2	Field Assy. (220 V., 50/60 Hz., 1 Ph.)	1
19	B-240949	Washer - Ball Brg. (Front)	1
20	BB-5-4	Ball Brg. - SKF-6200ZJ	1
21	B-240950	Washer - Ball Brg. (Rear)	1
22	D-82205-1	Armature Assy. (115 V., 50/60 Hz., 1 Ph.)	1
23	D-82205-2	Armature Assy. (220 V., 50/60 Hz., 1 Ph.)	1
24	B-16998	Stud - Governor Drive	1
25	WS-4-38	Washer - Spacing (.030" Thk.)	AF
26	WS-4-37	Washer - Spacing (.025" Thk.)	AF
27	WS-4-36	Washer - Spacing (.015" Thk.)	AF
28	WS-4-45	Washer - Spacing (.010" Thk.)	AF
29	C-17003	Plate - Baffle	1
30	C-16941	Retainer - Bearing	1
31	SD-33-1	Self-Tapping Screw - #4-40 x 1/4" Phil. Pan Hd., Type 23	4
32	C-240292	Bearing (Fan End)	1
33	B-240557	Bearing Bracket Assy. (Incls. items #30, 31, 32 & 34)	1
34	WS-8-37	Washer - Felt	1
35	B-18552	Cap - Motor Bearing	1
36	NS-9-24	Mach. Nut - #10-24 Hex	2
37	WS-2-19	Washer	2
38	C-17019	Spring - Baffle	2
39	FE-6-29	Connector - Wire (#72-B Ideal)	2
40	B-85676	Capacitor & Support Assy	1
41	NS-9-24	Mach. Nut - #10-24 Hex	2
42	SC-46-11	Set Screw - #10-24 x 1/4" Hdls., Cup Pt.	2
43	B-16940-1	Lead & Clip Assy	2
44	B-63433	Brush & Spring Sub-Assy	2
45	C-116284	Housing - Brush Holder	2
46	C-240680	Insert - Brush Holder	2
47	B-116286	Cap - Spring Set	2
48	B-116287	Spring - Cap	2
49	C-116283-1	Cap - Brush Holder (Black)	2
50	B-89759-1	Resistor & Lead Sleeves Sub-Assy. (115 V., 50/60 Hz., 1 Ph.)	1
51	B-89759-2	Resistor & Lead Sleeves Sub-Assy. (220 V., 50/60 Hz., 1 Ph.)	1
52	FE-21-4	Strain Relief	1
53	WS-2-35	Washer	2
54	B-20992	Screw - Resistor Retaining	2
55	FE-6-17	Connector - Wire (#71-B Ideal)	2
56	C-17830	Governor Assy	1
57	C-18195	Mounting Plate Assy	1
58	C-240227	Cord & Plug (2 Cond. Under 150 V.)	1
59	C-240555	Cord & Plug (3 Cond. Under 150 V.)	1
60	C-240559	Cord (3 Cond. Above 150 V.)	1
	A-112895	Switch Conversion Kit (Incls. items #5, 6, 7, 10, 11 & 12)	1
	B-116296	Brush Holder Assy. (Incls. items #45 thru 49)	2
	B-240937	Bearing Assy. (Incls. items #19, 20 & 21)	1

4157M

### ORDERING PARTS FOR MODEL K5-A

Any replacement part cataloged in this book can be quickly located by the following procedure:

- (1) Find the picture of the desired part in the illustration on a left-hand page. The parts are grouped for easy identification, and each has an index number so that it can be quickly found in the list on the right-hand page adjoining.

**EXAMPLE:** If you wish one of the little rubber cylinders under the mixer, you will find it in the illustration on page 4, with the index number 19. Referring to page 5, it will be seen that the corresponding Part Number is C-240211, and the name is "Foot-Rubber".

- (2) When writing your order, give both the Part Number and the Name. Do not give the Index number.

## Free Manuals Download Website

<http://myh66.com>

<http://usermanuals.us>

<http://www.somanuals.com>

<http://www.4manuals.cc>

<http://www.manual-lib.com>

<http://www.404manual.com>

<http://www.luxmanual.com>

<http://aubethermostatmanual.com>

Golf course search by state

<http://golfingnear.com>

Email search by domain

<http://emailbydomain.com>

Auto manuals search

<http://auto.somanuals.com>

TV manuals search

<http://tv.somanuals.com>