

KitchenAid®

WARMING DRAWER

Use & Care Guide

For questions about features, operation/performance, parts, accessories or service, call: **1-800-422-1230**
In Canada, call for assistance **1-800-461-5681**, for installation and service, call: **1-800-807-6777** or visit our website at...
www.kitchenaid.com or www.KitchenAid.ca

TIROIR-RÉCHAUD

Guide d'utilisation et d'entretien

Au Canada, pour assistance composez le **1-800-461-5681**, pour installation ou service composez le **1-800-807-6777** ou visitez notre site web à...
www.KitchenAid.ca

Table of Contents/Table des matières..... 2



Models/Modèles KEWD105 KEWD175 KEWV105

8304068

TABLE OF CONTENTS

WARMING DRAWER SAFETY	3
Electrical Requirements	4
PARTS AND FEATURES	5
WARMING DRAWER CONTROLS	6
Power Switch	6
Temperature Control Knob	6
Timer	6
Timer Override Switch	6
Moist-Dry Slide	6
WARMING DRAWER USE	6
Setting the Controls	6
Positioning Rack and Pans	7
Warming Cookware	8
Proofing Bread	8
Aluminum Foil	8
WARMING DRAWER CARE	8
Drawer Slides	8
Warming Drawer	8
General Cleaning	9
TROUBLESHOOTING	9
ASSISTANCE OR SERVICE	10
In the U.S.A.	10
In Canada	10
WARRANTY	11

TABLE DES MATIÈRES

SÉCURITÉ DU TIROIR-RÉCHAUD	12
Spécifications électriques	13
PIÈCES ET CARACTÉRISTIQUES	14
COMMANDES DU TIROIR-RÉCHAUD	15
Interrupteur d'alimentation	15
Bouton de commande de la température	15
Minuterie	15
Interrupteur de dépassement de la minuterie	15
Curseur de réglage Moist-Dry (humide-sec)	15
UTILISATION DU TIROIR-RÉCHAUD	15
Réglage des commandes	15
Grille de positionnement et plats	16
Ustensiles de réchauffage	17
Levée du pain	17
Papier d'aluminium	17
ENTRETIEN DU TIROIR-RÉCHAUD	17
Glissières du tiroir	17
Tiroir-réchaud	17
Nettoyage général	18
DÉPANNAGE	18
ASSISTANCE OU SERVICE	19
GARANTIE	20

WARMING DRAWER SAFETY

Your safety and the safety of others are very important.

We have provided many important safety messages in this manual and on your appliance. Always read and obey all safety messages.



This is the safety alert symbol.

This symbol alerts you to potential hazards that can kill or hurt you and others.

All safety messages will follow the safety alert symbol and either the word "DANGER" or "WARNING."

These words mean:

⚠ DANGER

You can be killed or seriously injured if you don't immediately follow instructions.

⚠ WARNING

You can be killed or seriously injured if you don't follow instructions.

All safety messages will tell you what the potential hazard is, tell you how to reduce the chance of injury, and tell you what can happen if the instructions are not followed.

IMPORTANT SAFETY INSTRUCTIONS

WARNING: To reduce the risk of fire, electrical shock, injury to persons, or damage when using the warming drawer, follow basic precautions, including the following:

- Proper Installation – Be sure the warming drawer is properly installed and grounded by a qualified technician.
- Never Use the Warming Drawer for Warming or Heating the Room.
- Do Not Leave Children Alone – Children should not be left alone or unattended in area where warming drawer is in use. They should never be allowed to sit or stand on any part of the warming drawer.
- Wear Proper Apparel – Loose-fitting or hanging garments should never be worn while using the warming drawer.
- User Servicing – Do not repair or replace any part of the warming drawer unless specifically recommended in the manual. All other servicing should be referred to a qualified technician.
- Storage in Warming Drawer – Flammable materials should not be stored in a warming drawer.
- Do Not Use Water on Grease Fires – Smother fire or flame or use dry chemical or foam-type extinguisher.
- Use Only Dry Potholders – Moist or damp potholders on hot surfaces may result in burns from steam. Do not let potholder touch hot heating elements. Do not use a towel or other bulky cloth.
- Use Care When Opening Door – Let hot air or steam escape before removing or replacing food.
- Do Not Heat Unopened Food Containers – Build-up of pressure may cause container to burst and result in injury.
- Placement of Warming Drawer Racks – Always place warming drawer racks in desired location while warming drawer is cool. If rack must be moved while warming drawer is hot, do not let potholder contact hot heating element in warming drawer.
- DO NOT TOUCH HEATING ELEMENTS OR INTERIOR SURFACES OF WARMING DRAWER – Heating elements may be hot even though they are dark in color. Interior surfaces of a warming drawer become hot enough to cause burns. During and after use, do not touch, or let clothing or other flammable materials contact heating elements or interior surfaces of warming drawer until they have had sufficient time to cool. Other surfaces of the warming drawer may become hot enough to cause burns – among these surfaces are warming drawer vent openings and surfaces near these openings and warming drawer doors.

SAVE THESE INSTRUCTIONS

Electrical Requirements

⚠ WARNING



Electrical Shock Hazard

Plug into a grounded 3 prong outlet.

Do not remove ground prong.

Do not use an adapter.

Do not use an extension cord.

Failure to follow these instructions can result in death, fire, or electrical shock.

It is important to make sure you have the proper electrical connection:

A 115 Volt, 60 Hz., AC only 15- or 20-amp electrical supply, properly grounded in accordance with the National Electrical Code and local codes and ordinances, is required.

It is recommended that a separate circuit, serving only your warming drawer, be provided.

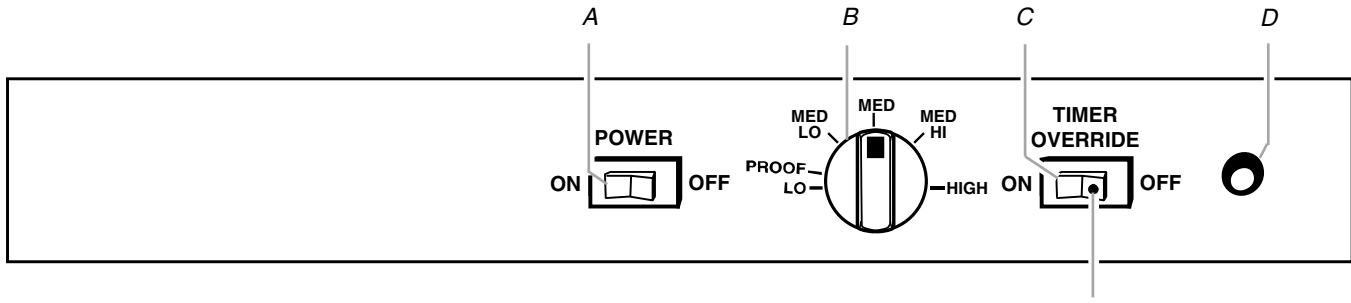
Recommended Grounding Method

For your personal safety, this appliance must be grounded. This appliance is equipped with a power supply cord having a 3 prong grounding plug. To minimize possible shock hazard, the cord must be plugged into a mating, 3 prong, grounding-type wall receptacle, grounded in accordance with the National Electrical Code and local codes and ordinances. If mating wall receptacle is not available, it is the personal responsibility of the customer to have a properly grounded, 3 prong wall receptacle installed by a qualified electrician.

PARTS AND FEATURES

This manual covers several different models. The range you have purchased may have some or all of the parts and features listed. The location and appearance of the features shown here may not match those of your model.

Control Panel

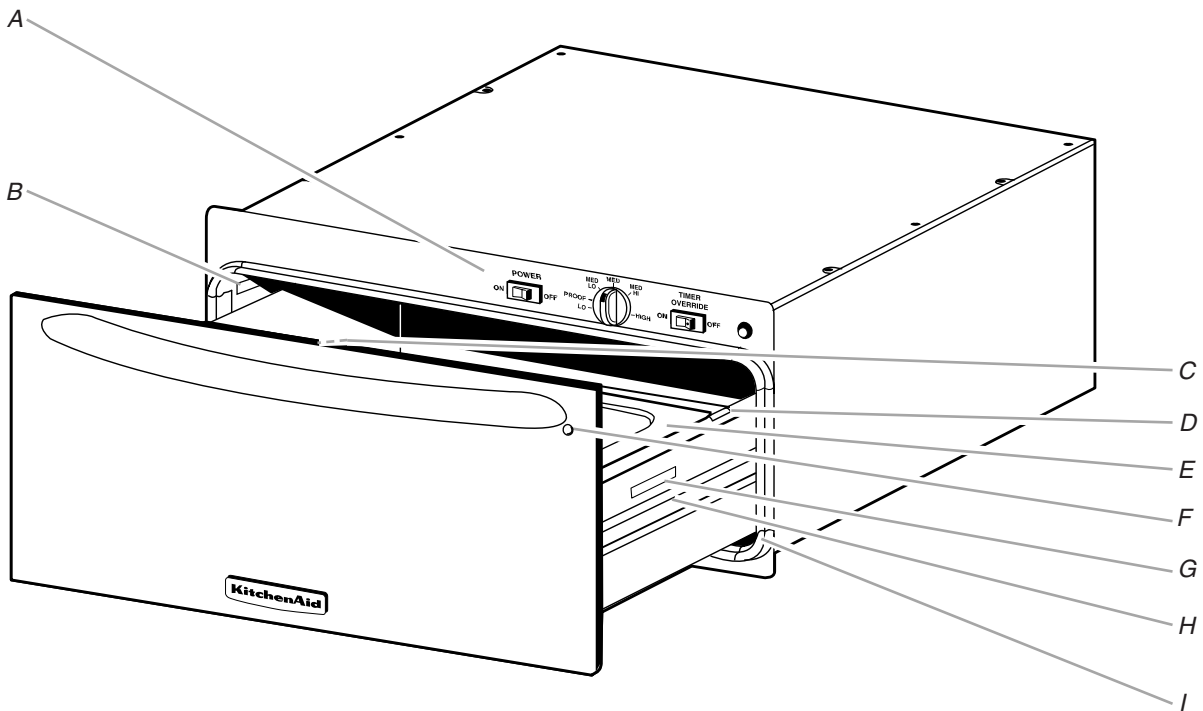


A. Power "ON" switch
B. Temperature control knob

C. Timer override switch

D. Power "ON" indicator light
E. Timer override light

Warming Drawer



A. Control panel
B. Model and serial number plate
C. Moist-dry slide (not shown)

D. Pan support and locator
E. Pans
F. "ON" light viewer

G. Consumer information number
H. Drawer slide
I. Gasket

WARMING DRAWER CONTROLS

Power Switch

⚠ WARNING

Food Poisoning Hazard

Do not let food sit for more than one hour before or after cooking.

Doing so can result in food poisoning or sickness.

Press the POWER "ON" switch to turn on the warming drawer. Once the power is turned on, a red indicator light will illuminate. This indicator light is located on the right side of the Timer Override switch.

When finished, press the POWER "OFF" switch to turn off the warming drawer. When the warming drawer is turned off automatically or manually, the indicator light will go out and the drawer will begin to cool.

Temperature Control Knob

The temperature is controlled by rotating the control knob to the desired setting. The temperature ranges from LO to HIGH, approximately 90°F to 225°F (32°C to 107°C).

Timer

The warming drawer has an automatic 4-hour timer. After 4 hours, the warming drawer will shut off. Although the automatic timer is set for a 4-hour period, do not leave food in warming drawer for more than 1 hour.

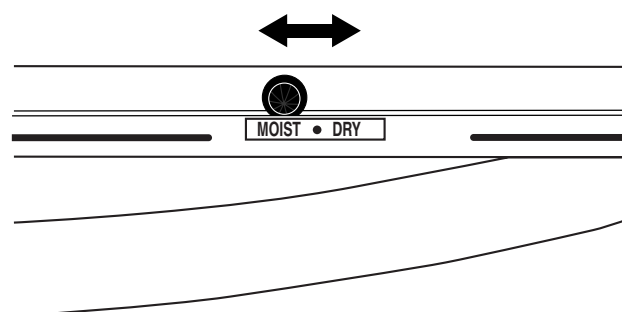
Timer Override Switch

The automatic 4-hour timer can be turned off using the Timer Override switch. This feature allows you to keep the warming drawer on until it is turned off manually with the Power "Off" switch.

It is recommended that the switch remain in the "Off" position, unless longer warming times are required. When the Timer Override switch is in the "On" position, the light on the switch will illuminate, showing the Timer has been bypassed.

IMPORTANT: Although the Timer can be bypassed by using the Timer Override switch, do not let food sit in the warming drawer for more than 1 hour. Bacterial growth may occur.

Moist-Dry Slide



The Moist-Dry slide allows you to open or close the vent slots in the door. The MOIST setting holds moisture in, while the DRY setting allows steam and moisture to escape from the drawer.

NOTE: Condensation may form on inner surfaces. This is normal.

To keep foods moist, put slide on MOIST, closing the vents. Closing the vents will seal the drawer and keeps hot food soft and moist.

To keep foods crisp, put slide on DRY, opening the vents. Opening the vents releases moisture from the drawer and keeps hot foods crisp and dry.

WARMING DRAWER USE

Setting the Controls

⚠ WARNING

Food Poisoning Hazard

Do not let food sit for more than one hour before or after cooking.

Doing so can result in food poisoning or sickness.

The warming drawer is ideal for keeping hot cooked foods at serving temperature. It may also be used for warming breads and pastries.

Different types of food may be placed in the warming drawer at the same time. For best results, do not hold foods longer than 1 hour. For smaller quantities or heat-sensitive foods (such as eggs), do not hold longer than 30 minutes.

Food must be heated to serving temperature before being placed in the warming drawer. Cover foods with a lid or aluminum foil. Do not cover with plastic wrap.

Breads, pastries, and fruit pies may be heated from room temperature on the HI setting. Remove food from plastic bags and place in oven-safe container.

Oven-safe serving dishes and dinner plates can be heated while the warming drawer is preheating.

NOTE: Place pans and positioning rack in the warming drawer before preheating.

To Use:

1. Press the POWER "ON" switch.
2. Select MOIST or DRY setting.
3. Set the drawer to desired temperature setting (LO, MED LO, MED, MED HIGH and HIGH).
4. Preheat the drawer. For LO, preheat for 5 minutes. For MED, preheat for 8 minutes. For HIGH, preheat for 10 minutes.

Positioning Rack and Pans

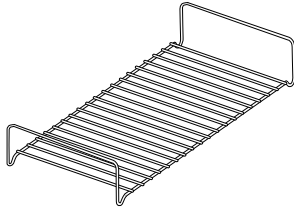
Positioning Rack

The rack accompanying your warming drawer can be used in 2 different positions, high and low. The rack will fit from front to back or side to side.

NOTE: When placing the rack front to back, the warming drawer must be fully opened.

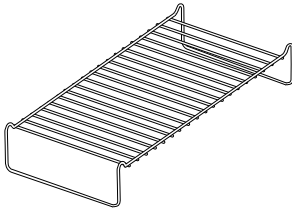
Low position

This position raises the oven-safe container ½" (1.27 cm) from the bottom of the drawer.



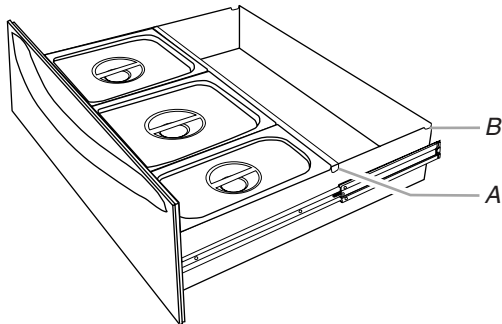
High position

This position lets you stack items in the drawer.



Pans

The warming drawer comes with oven-safe pans with lids that fit conveniently inside the drawer. On 30" (76 cm) models, the warming drawer comes with 3 pans. On 27" (68 cm) models, the warming drawer comes with 2 pans.



A. Pan support (in locator notch)
B. Storage notch

When using the pans, make sure the pan support is properly installed in the locator notch before inserting pans. When not using the pans, place the support in the storage notch.

WARMING DRAWER TEMPERATURE CHART

Different foods require different settings in order to maintain the ideal serving temperature. Use the following chart as a guide.

FOOD	SETTING
Bacon*	HI
Beef, medium and well-done	HI
Bread, hard rolls	LO
Bread, soft rolls	LO
Casseroles	HI
Coffee cake, pastries	LO
Cooked cereal	MED
Eggs	MED
Fish, Seafood (No breading)	MED
Fish, Seafood (Breaded)*	MED
Fried foods	HI
Gravy, Cream Sauces	HI
Ham	MED
Hors d'oeuvres (soft)	HI
Hors d'oeuvres (crisp)	HI
Lamb	MED
Pancakes, waffles*	MED
Pies, custard	MED
Pies, single crust	LO
Pies, double crust	LO
Pizza	HI
Pork	MED
Potatoes, baked	HI
Potatoes, mashed	MED
Poultry	HI
Quiche	MED
Vegetables	MED

All foods should be covered, except those marked with an asterisk ().

Warming Cookware

Use only cookware approved for oven use. Follow the cookware manufacturer's instructions, especially when using glass or plastic cookware.

Proofing Bread

Proofing bread prepares dough for baking by activating the yeast.

To Proof:

1. Cover dough with lightly oiled wax paper and place temperature safe bowl(s) directly on bottom of drawer.
2. Set control knob to PROOF setting.
3. Place vent on MOIST setting.

4. Check dough periodically for proofing progress.
5. Verify doneness by pressing 2 fingers $\frac{1}{2}$ " (1.27 cm) into dough. If indentation remains, the dough is ready.

For second proofing of dough, follow steps 1-4.

Aluminum Foil

Do not line warming drawer with aluminum foil.

Keep food covered if it was cooked with a cover on it.

Use narrow strips of foil to shield pie crust edges from further browning in drawer.

Place tent-shaped foil loosely over meat or poultry to prevent dryness and further browning while in the drawer.

The use of aluminum foil to cover foods may cause moisture to collect and drip into the drawer.

WARMING DRAWER CARE

Drawer Slides

The drawer slides allow you to fully extend the drawer for easier cleaning. If necessary, the drawer can be removed.

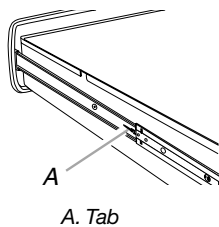
NOTE: Load capacity for the drawer and slides is 100 lbs (45 kg).

Warming Drawer

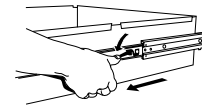
Remove all items from inside the warming drawer, and allow the unit to cool completely before attempting to remove the drawer.

To Remove:

1. Open drawer to its full open position.
2. Locate the black triangle-shaped tabs on both sides of the drawer.



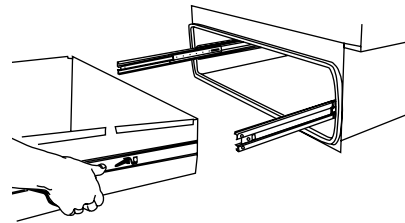
3. Press the tab down on the right side and lift tab up on the left side at the same time, then pull drawer out 1" (2,54 cm) to disengage latch.



4. Hold the drawer by its sides (not by its front). Slowly pull it all the way out.

To Replace:

1. Align the drawer glides with the receiving guides.



2. Push drawer in all the way.
3. Gently open and close the drawer to ensure it is seated properly on the guides.

General Cleaning

IMPORTANT: Before cleaning, make sure all controls are off and the warming drawer and the drawer accessories are cool. Always follow label instructions on cleaning products.

Soap, water and a soft cloth or sponge are suggested first unless otherwise noted.

STAINLESS STEEL SURFACES

Do not use soap-filled scouring pads, abrasive cleaners, Cooktop Polishing Creme, steel-wool pads, gritty washcloths or some paper towels. Damage may occur.

Rub in direction of grain to avoid damaging.

- Stainless Steel Cleaner & Polish (not included):
See “Assistance or Service” section to order.
- Liquid detergent or all-purpose cleaner:
Rinse with clean water and dry with soft, lint-free cloth.
- Vinegar for hard water spots

CONTROL KNOB

Do not use steel wool, abrasive cleansers or oven cleaner.

Do not soak knob.

When replacing knobs, make sure knobs are in the OFF position.

- Soap and water:

Pull knobs straight away from control panel to remove. Wash, rinse and dry with a soft cloth.

WARMING DRAWER

- Paper towel and spray glass cleaner:

Make sure drawer is cool. Follow manufacturer’s instructions.

- Warm, soapy water and a nonabrasive, plastic scrubbing pad:

Wash, wipe with clean water and dry thoroughly.

POSITIONING RACK

- Steel-wool pad and warm, soapy water:

Wash, rinse and dry thoroughly.

PANS

- Mild soap and water:

Wash, rinse and dry with soft cloth. Do not clean in dishwasher. Discoloration will occur.

TROUBLESHOOTING

Try the solutions suggested here first in order to avoid the cost of an unnecessary service call.

Warming drawer will not operate

- **Is the power supply cord unplugged?**
Plug into a grounded 3 prong outlet.
- **Has a household fuse blown, or has a circuit breaker tripped?**
Replace the fuse or reset the circuit.
- **Is the power switch in the “ON” position, but the indicator light not illuminated?**
Reset unit by turning the power switch to “OFF” and then “ON.” The unit may have been in the timer mode, and the timer may have ended its cycle.

Drawer does not slide properly

- **Has the drawer been mounted properly on the slides?**
See “Warming Drawer Care” section.

- **Has the drawer been overloaded?**
The weight inside the drawer should not exceed 100 lbs (45 kg).
- **Is the drawer load uneven?**
Redistribute the food to evenly balance the weight.

Excessive moisture on the drawer

- **Did you preheat the drawer?**
Preheat the drawer before each use. See “Warming Drawer Use” section.
- **Is the MOIST-DRY setting correct?**
Set the MOIST-DRY slide to “DRY” to vent the moisture.
- **Was the food covered with aluminum foil?**
See “Aluminum Foil” section.

Drawer does not shut off automatically

- **Have you bypassed the timer?**
Check the Timer Override switch. The Timer Override switch must be in the “OFF” position for the timer to function properly.

ASSISTANCE OR SERVICE

Before calling for assistance or service, please check "Troubleshooting." It may save you the cost of a service call. If you still need help, follow the instructions below.

When calling, please know the purchase date and the complete model and serial number of your appliance. This information will help us to better respond to your request.

If you need replacement parts

If you need to order replacement parts, we recommend that you use only factory specified parts. These factory specified parts will fit right and work right because they are made with the same precision used to build every new KITCHENAID® appliance.

To locate factory specified parts in your area, call us or your nearest KitchenAid designated service center.

In the U.S.A.

Call the KitchenAid Customer eXperience Center toll free:
1-800-422-1230.

Our consultants provide assistance with:

- Features and specifications on our full line of appliances.
- Installation information.
- Accessory and repair parts sales.
- Specialized customer assistance (Spanish speaking, hearing impaired, limited vision, etc.).
- Referrals to local dealers, repair parts distributors, and service companies. KitchenAid designated service technicians are trained to fulfill the product warranty and provide after-warranty service, anywhere in the United States.

To locate the KitchenAid designated service company in your area, you can also look in your telephone directory Yellow Pages.

For further assistance

If you need further assistance, you can write to KitchenAid with any questions or concerns at:

KitchenAid Brand Home Appliances
Customer eXperience Center
553 Benson Road
Benton Harbor, MI 49022-2692

Please include a daytime phone number in your correspondence.

Accessories U.S.A.

To order accessories, call the KitchenAid Customer eXperience Center toll free at **1-800-442-9991** and follow the menu prompts. Or visit our website at **www.kitchenaid.com** and click on "Shop-Online," then "Accessories." Portable appliances, bakeware, cookware, gadgets and textiles are also available.

In Canada

For product related questions, please call the KitchenAid Canada Customer Interaction Centre toll free: **1-800-461-5681**
Monday to Friday 8:00 a.m. - 6:00 p.m. (EST).
Saturday 8:30 a.m. - 4:30 p.m. (EST).

Our consultants provide assistance with:

- Features and specifications on our full line of appliances.
- Referrals to local dealers.

For parts, accessories and service in Canada

Call **1-800-807-6777**. KitchenAid designated service technicians are trained to fulfill the product warranty and provide after-warranty service, anywhere in Canada.

For further assistance

If you need further assistance, you can write to KitchenAid Canada with any questions or concerns at:

Customer Interaction Centre
KitchenAid Canada
1901 Minnesota Court
Mississauga, Ontario L5N 3A7

Please include a daytime phone number in your correspondence.

KITCHENAID® WARMING DRAWER WARRANTY

ONE YEAR LIMITED WARRANTY

For one year from the date of purchase, when this major appliance is operated and maintained according to instructions attached to or furnished with the product, KitchenAid or KitchenAid Canada (hereafter "KitchenAid") will pay for factory specified parts and repair labor to correct defects in materials or workmanship. Service must be provided by a KitchenAid designated service company.

ITEMS KITCHENAID WILL NOT PAY FOR

1. Service calls to correct the installation of your major appliance, to instruct you how to use your major appliance, to replace or repair house fuses or to correct house wiring or plumbing.
 2. Service calls to repair or replace appliance light bulbs, air filters or water filters. Those consumable parts are excluded from warranty coverage.
 3. Repairs when your major appliance is used for other than normal, single-family household use.
 4. Damage resulting from accident, alteration, misuse, abuse, fire, flood, acts of God, improper installation, installation not in accordance with electrical or plumbing codes, or use of products not approved by KitchenAid.
 5. Replacement parts or repair labor costs for units operated outside the United States or Canada.
 6. Pickup and delivery. This major appliance is designed to be repaired in the home.
 7. Repairs to parts or systems resulting from unauthorized modifications made to the appliance.
 8. Expenses for travel and transportation for product service in remote locations.
 9. The removal and reinstallation of your appliance if it is installed in an inaccessible location or is not installed in accordance with published installation instructions.
-

DISCLAIMER OF IMPLIED WARRANTIES; LIMITATION OF REMEDIES

CUSTOMER'S SOLE AND EXCLUSIVE REMEDY UNDER THIS LIMITED WARRANTY SHALL BE PRODUCT REPAIR AS PROVIDED HEREIN. IMPLIED WARRANTIES, INCLUDING WARRANTIES OF MERCHANTABILITY OR FITNESS FOR A PARTICULAR PURPOSE, ARE LIMITED TO ONE YEAR OR THE SHORTEST PERIOD ALLOWED BY LAW. KITCHENAID SHALL NOT BE LIABLE FOR INCIDENTAL OR CONSEQUENTIAL DAMAGES. SOME STATES AND PROVINCES DO NOT ALLOW THE EXCLUSION OR LIMITATION OF INCIDENTAL OR CONSEQUENTIAL DAMAGES, OR LIMITATIONS ON THE DURATION OF IMPLIED WARRANTIES OF MERCHANTABILITY OR FITNESS, SO THESE EXCLUSIONS OR LIMITATIONS MAY NOT APPLY TO YOU. THIS WARRANTY GIVES YOU SPECIFIC LEGAL RIGHTS AND YOU MAY ALSO HAVE OTHER RIGHTS, WHICH VARY FROM STATE TO STATE OR PROVINCE TO PROVINCE.

Outside the 50 United States and Canada, this warranty does not apply. Contact your authorized KitchenAid dealer to determine if another warranty applies.

If you need service, first see the "Troubleshooting" section of the Use & Care Guide. After checking "Troubleshooting," additional help can be found by checking the "Assistance or Service" section or by calling KitchenAid. In the U.S.A., call **1-800-422-1230**. In Canada, call **1-800-807-6777**.

9/05

Keep this book and your sales slip together for future reference. You must provide proof of purchase or installation date for in-warranty service.

Write down the following information about your major appliance to better help you obtain assistance or service if you ever need it. You will need to know your complete model number and serial number. You can find this information on the model and serial number label located on the product.

Dealer name _____
Address _____
Phone number _____
Model number _____
Serial number _____
Purchase date _____

SÉCURITÉ DU TIROIR-RÉCHAUD

Votre sécurité et celle des autres est très importante.

Nous donnons de nombreux messages de sécurité importants dans ce manuel et sur votre appareil ménager. Assurez-vous de toujours lire tous les messages de sécurité et de vous y conformer.



Voici le symbole d'alerte de sécurité.

Ce symbole d'alerte de sécurité vous signale les dangers potentiels de décès et de blessures graves à vous et à d'autres.

Tous les messages de sécurité suivront le symbole d'alerte de sécurité et le mot "DANGER" ou "AVERTISSEMENT". Ces mots signifient :

⚠ DANGER

Risque possible de décès ou de blessure grave si vous ne suivez pas immédiatement les instructions.

⚠ AVERTISSEMENT

Risque possible de décès ou de blessure grave si vous ne suivez pas les instructions.

Tous les messages de sécurité vous diront quel est le danger potentiel et vous disent comment réduire le risque de blessure et ce qui peut se produire en cas de non-respect des instructions.

IMPORTANTES INSTRUCTIONS DE SÉCURITÉ

AVERTISSEMENT : Pour réduire le risque d'incendie, de choc électrique, de blessures ou de dommages lors de l'utilisation du tiroir de réchauffage, il convient d'observer certaines précautions élémentaires dont les suivantes :

- Installation appropriée - S'assurer que le tiroir de réchauffage est correctement installé et relié à la terre par un technicien qualifié.
- Ne jamais utiliser le tiroir de réchauffage pour réchauffer ou chauffer la pièce.
- Ne pas laisser les enfants seuls - Les enfants ne doivent pas être laissés seuls ou sans surveillance dans la pièce où le tiroir de réchauffage est en service. Ne jamais laisser les enfants s'asseoir ou se tenir sur une partie quelconque du tiroir de réchauffage.
- Porter des vêtements appropriés - Des vêtements amples ne doivent jamais être portés pendant l'utilisation du tiroir de réchauffage.
- Entretien par l'utilisateur - Ne pas réparer ni remplacer toute pièce du tiroir de réchauffage si ce n'est pas spécifiquement recommandé dans le manuel. Toute autre opération d'entretien ou de réparation doit être confiée à un technicien qualifié.
- Remisage dans le tiroir de réchauffage - Les matériaux inflammables ne doivent pas être remisés dans le tiroir de réchauffage.
- Ouvrir la porte du tiroir avec soin - Laisser l'air chaud ou la vapeur s'échapper avant d'enlever ou de replacer les aliments.
- Ne pas utiliser d'eau pour éteindre un feu de graisse - Éteuffer le feu ou les flammes ou utiliser un extincteur à produits chimiques secs, ou un extincteur à mousse.
- N'utiliser que des mitaines sèches - Des mitaines mouillées ou humides sur des surfaces chaudes peuvent provoquer des brûlures provenant de la vapeur. Ne pas laisser les mitaines toucher les éléments chauffants. Ne pas utiliser une serviette ou un autre chiffon épais.
- Ne pas chauffer des contenants non ouverts d'aliments - L'accumulation de pression peut faire exploser le contenant et causer des blessures.
- Positionnement des grilles du tiroir de réchauffage - Toujours placer la grille du tiroir de réchauffage à l'endroit voulu lorsque le tiroir de réchauffage est froid. Si la grille doit être déplacée pendant que le tiroir de réchauffage est chaud, ne pas laisser les mitaines toucher l'élément chaud de chauffage dans le tiroir de réchauffage.
- NE PAS TOUCHER LES ÉLÉMENTS DE CHAUFFAGE OU LES SURFACES INTÉRIEURES DU TIROIR DE RÉCHAUFFAGE - Les éléments chauffants peuvent être chauds même lorsqu'ils ont une teinte foncée. Les surfaces intérieures du tiroir de réchauffage deviennent assez chaudes pour causer des brûlures. Pendant et après l'utilisation, ne pas toucher les éléments de chauffage ou ne pas laisser les vêtements ou autres matériaux inflammables venir en contact avec les éléments chauffants ou les surfaces intérieures du tiroir de réchauffage avant qu'ils soient suffisamment refroidis. D'autres surfaces du tiroir de réchauffage peuvent devenir assez chaudes pour causer des brûlures - ces surfaces comprennent les ouvertures de l'évent et du tiroir de réchauffage et les surfaces près de ces ouvertures et la porte du tiroir de réchauffage.

CONSERVEZ CES INSTRUCTIONS

Spécifications électriques

⚠ AVERTISSEMENT



Risque de choc électrique

Brancher sur une prise à 3 alvéoles reliée à la terre.

Ne pas enlever la broche de liaison à la terre.

Ne pas utiliser un adaptateur.

Ne pas utiliser un câble de rallonge.

Le non-respect de ces instructions peut causer un décès, un incendie ou un choc électrique.

Il est important de vous assurer d'avoir la bonne connexion électrique :

Une source d'alimentation de 115 volts, 60 Hz, types 15 ou 20 ampères CA seulement, correctement mise à la terre conformément au Code national de l'électricité et aux codes et règlements locaux est nécessaire.

Il est recommandé d'utiliser un circuit indépendant pour alimenter uniquement votre tiroir-réchaud.

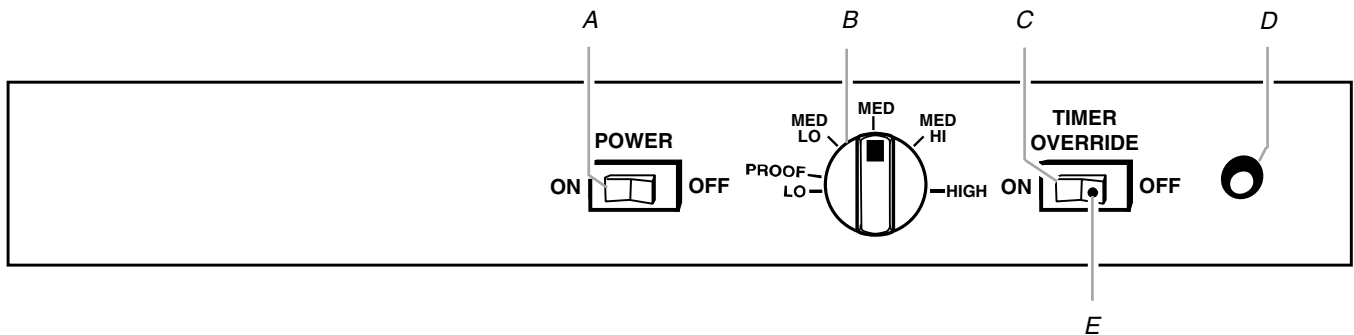
Méthode recommandée de mise à la terre

Pour votre propre sécurité, cet appareil doit être mis à la terre. L'appareil comporte un cordon d'alimentation électrique à trois broches pour la mise à la terre. Pour minimiser les risques de choc électrique, le cordon d'alimentation électrique doit être branché sur une prise de courant murale mise à la terre correspondante à trois alvéoles où la mise à la terre a été faite conformément au Code national de l'électricité et aux codes et règlements locaux. Si une prise murale correspondante n'est pas disponible, il incombe au client de faire installer par un électricien qualifié une prise murale à 3 alvéoles correctement mise à la terre.

PIÈCES ET CARACTÉRISTIQUES

Ce manuel couvre plusieurs modèles différents. La cuisinière que vous avez achetée peut comporter quelques-unes ou toutes les pièces et caractéristiques énumérées. L'emplacement et l'apparence des caractéristiques illustrées peuvent être différents de ceux de votre modèle.

Tableau de commande

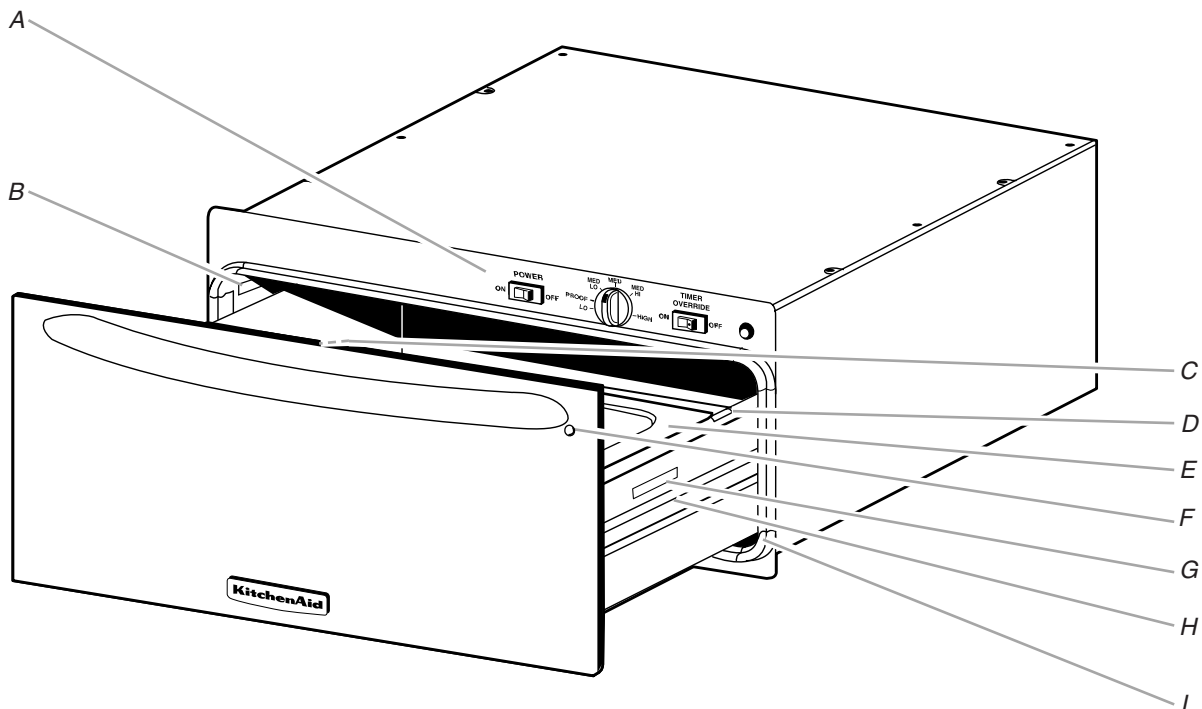


A. Interrupteur d'alimentation "ON" (marche)
B. Bouton de commande de la température

C. Interrupteur de dépassement de la minuterie

D. Voyant d'alimentation "ON" (marche)
E. Voyant d'interrupteur de dépassement de la minuterie

Tiroir-réchaud



A. Tableau de commande
B. Plaque signalétique des numéros de modèle et de série
C. Curseur de réglage humide-sec (non illustré)

D. Support de plat et encoche de positionnement
E. Plats
F. Fenêtre de voyant "ON" (marche)

G. Numéro d'information pour la clientèle
H. Glissière de tiroir
I. Joint d'étanchéité

COMMANDES DU TIROIR-RÉCHAUD

Interrupteur d'alimentation

⚠ AVERTISSEMENT

Risque d'empoisonnement alimentaire

Ne pas laisser des aliments reposer plus d'une heure avant ou après la cuisson.

Le non-respect de cette instruction peut causer un empoisonnement alimentaire ou une maladie.

Appuyer sur l'interrupteur d'alimentation "ON" (marche) pour allumer le tiroir-réchaud. Dès la mise sous tension, un voyant rouge s'allume. Ce voyant se trouve du côté droit de l'interrupteur de dépassement de la minuterie.

Après avoir terminé, appuyer sur l'interrupteur d'alimentation "OFF" (arrêt) pour éteindre le tiroir-réchaud. Lorsque le tiroir-réchaud est éteint automatiquement ou manuellement, le voyant s'éteint et le tiroir commence à se refroidir.

Bouton de commande de la température

Le contrôle de la température s'effectue en tournant le bouton de commande sur le réglage désiré. La température varie de LO (basse) à HIGH (élevée), environ 90°F à 225°F (32°C à 107°C).

Minuterie

Le tiroir-réchaud est doté d'une minuterie automatique de 4 heures. Au bout de 4 heures, le tiroir-réchaud s'éteint. Bien que la minuterie automatique soit réglée pour une période de 4 heures, ne pas laisser d'aliments dans le tiroir-réchaud pendant plus de 1 heure.

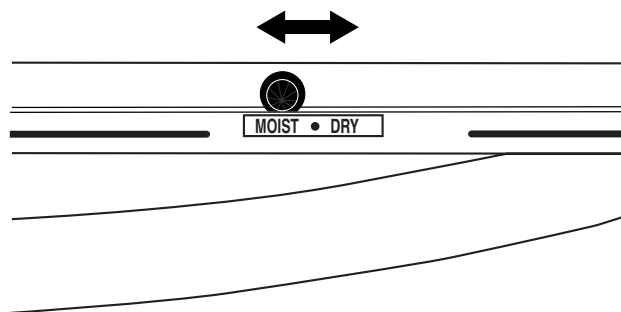
Interrupteur de dépassement de la minuterie

La minuterie automatique de 4 heures peut être éteinte au moyen de l'interrupteur Timer Override (dépassement de la minuterie). Cette caractéristique vous permet de garder le tiroir-réchaud allumé jusqu'à ce qu'il soit éteint manuellement avec l'interrupteur d'alimentation "Off".

Il est recommandé de laisser l'interrupteur à la position "Off" à moins que des temps de réchauffage plus longs soient requis. Lorsque l'interrupteur de dépassement de la minuterie est à la position "On", le voyant s'allume pour indiquer que l'on a dépassé la minuterie.

IMPORTANT : Bien qu'il soit possible de dépasser la minuterie au moyen de l'interrupteur de dépassement de la minuterie, ne pas laisser d'aliments dans le tiroir-réchaud pendant plus de 1 heure. Des bactéries peuvent se développer.

Curseur de réglage Moist-Dry (humide-sec)



Le curseur de réglage Moist-Dry (humide-sec) permet d'ouvrir ou de fermer les ouvertures d'aération dans la porte. Le réglage MOIST (humide) retient l'humidité tandis que le réglage DRY (sec) permet à la vapeur et à l'humidité de s'échapper du tiroir.

REMARQUE : De la condensation peut se former sur les surfaces internes. Ceci est normal.

Pour garder les aliments humides, glisser le curseur à MOIST pour fermer les ouvertures d'aération. La fermeture des ouvertures d'aération scelle le tiroir et garde les aliments tendres et humides.

Pour garder les aliments croustillants, glisser le curseur à DRY pour ouvrir les ouvertures d'aération. L'ouverture libère l'humidité du tiroir et garde les aliments chauds croustillants et secs.

UTILISATION DU TIROIR-RÉCHAUD

Réglage des commandes

⚠ AVERTISSEMENT

Risque d'empoisonnement alimentaire

Ne pas laisser des aliments reposer plus d'une heure avant ou après la cuisson.

Le non-respect de cette instruction peut causer un empoisonnement alimentaire ou une maladie.

Le tiroir-réchaud est idéal pour garder les aliments cuits à la température de service. Il peut aussi servir pour réchauffer des pains et pâtisseries.

Différents types d'aliments peuvent être placés dans le tiroir-réchaud en même temps. Pour les meilleurs résultats, ne pas y garder les aliments pendant plus de 1 heure. Pour les quantités plus petites ou les aliments sensibles à la chaleur (tels que les œufs), ne pas garder pendant plus de 30 minutes.

Les aliments doivent être à la température de service avant d'être placés dans le tiroir-réchaud. Couvrir les aliments avec un couvercle ou du papier d'aluminium. Ne pas les couvrir de pellicule de plastique.

Les pains, pâtisseries et tartes aux fruits peuvent être chauffés de la température de la pièce au réglage HI. Sortir les aliments des sacs de plastique et les placer dans un contenant qui va au four.

Les plats de service et les assiettes vides peuvent être réchauffés pendant que le tiroir-réchaud préchauffe.

REMARQUE : Placer les plats et la grille de positionnement dans le tiroir-réchaud avant le préchauffage.

Utilisation :

1. Appuyer sur l'interrupteur d'alimentation "ON" (marche).
2. Sélectionner le réglage MOIST (humide) ou DRY (sec).
3. Régler le tiroir à la température désirée (LO, MED LO, MED, MED HIGH et HIGH).
4. Préchauffer le tiroir. Pour LO, préchauffer 5 minutes. Pour MED, préchauffer 8 minutes. Pour HIGH, préchauffer 10 minutes.

Grille de positionnement et plats

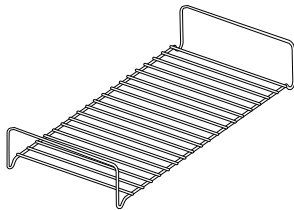
Grille de positionnement

La grille accompagnant le tiroir-réchaud peut être utilisée dans 2 positions différentes, élevée ou basse. La grille s'adapte d'avant en arrière ou latéralement.

REMARQUE : Pour l'installation de la grilles de l'avant vers l'arrière, le tiroir-réchaud doit être complètement ouvert.

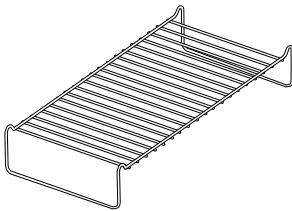
Position basse

Relève l'ustensile de 1/2" (1,27 cm) à partir du fond du tiroir.



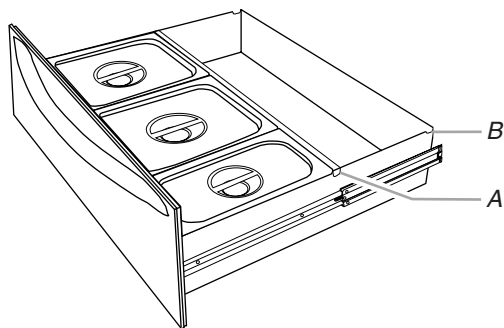
Position élevée

Vous permet d'empiler des articles dans le tiroir.



Plats

Le tiroir-réchaud est livré avec des plats avec couvercles qui sont adaptés au tiroir. Sur les modèles de 30" (76 cm), le tiroir-réchaud est livré avec 3 plats. Sur les modèles de 27" (68 cm), le tiroir-réchaud est livré avec 2 plats.



A. Support de plat (dans l'encoche de positionnement)
B. Encoche de rangement

Lors de l'utilisation du ou des plats, s'assurer que le support de plat est bien installé dans l'encoche de positionnement avant d'insérer le ou les plats. Quand vous n'utilisez aucun plat, placer le support dans l'encoche de rangement.

TABLEAU DES TEMPÉRATURES DU TIROIR-RÉCHAUD

Différents aliments nécessitent différents réglages pour maintenir la température de service idéale. Se servir du tableau suivant comme guide.

ALIMENTS	RÉGLAGE
Bacon*	HI
Bœuf, à point et bien cuit	HI
Pain, petits pains	LO
Pain, petits pains mous	LO
Plats en sauce	HI
Brioques, pâtisseries	LO
Céréales cuites	MED
Oeufs	MED
Poisson, fruits de mer (non panés)	MED
Poisson, fruits de mer (panés)*	MED
Aliments frits	HI
Sauce, sauces à la crème	HI
Jambon	MED
Hors-d'œuvre (mous)	HI
Hors-d'œuvre (croustillants)	HI
Agneau	MED
Crêpes, gaufres*	MED
Tartes, crème pâtissière	MED
Tartes, croûte unique	LO
Tartes, croûte double	LO
Pizza	HI
Porc	MED
Pommes de terre, au four	HI
Pommes de terre, en purée	MED
Volaille	HI
Quiche	MED
Légumes	MED

Tous les aliments doivent être couverts, sauf ceux marqués d'un astérisque ().

Ustensiles de réchauffage

N'utiliser que des ustensiles adaptés au four. Suivre les instructions du fabricant de l'ustensile, surtout lors de l'utilisation d'ustensiles en verre ou en plastique.

Levée du pain

La levée du pain prépare la pâte pour la cuisson en activant la levure.

Pour lever la pâte :

1. Couvrir la pâte de papier ciré légèrement huilé et placer le ou les bols résistants à la chaleur directement au fond du tiroir.
2. Régler le bouton de commande au réglage PROOF (levée).
3. Glisser le curseur au réglage MOIST (humide).

4. Vérifier périodiquement la progression de la levée de la pâte.
5. Vérifier si elle est prête en enfonçant 2 doigts de 1/2" (1,27 cm) dans la pâte. Si le renfoncement demeure, la pâte est prête.

Pour la seconde levée de la pâte, suivre les étapes 1 à 4.

Papier d'aluminium

Ne pas garnir le tiroir de papier d'aluminium.

Garder l'aliment couvert s'il a été cuit avec un couvercle.

Utiliser de fines languettes de papier d'aluminium pour empêcher les bords de croûte de tarte de continuer de brunir dans le tiroir.

Placer du papier d'aluminium en forme de tente par-dessus la viande et la volaille pour l'empêcher de sécher ou de continuer de brunir dans le tiroir.

L'utilisation de papier d'aluminium pour couvrir les aliments peut causer une accumulation d'humidité qui s'égouttera dans le tiroir.

ENTRETIEN DU TIROIR-RÉCHAUD

Glissières du tiroir

Les glissières du tiroir permettent de l'ouvrir complètement pour en faciliter le nettoyage. Au besoin, le tiroir peut être enlevé.

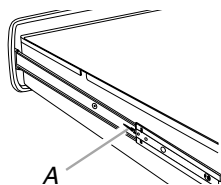
REMARQUE : La capacité de charge du tiroir et des glissières est de 100 lb (45 kg).

Tiroir-réchaud

Retirer tous les articles de l'intérieur du tiroir-réchaud et laisser l'appareil refroidir complètement avant d'essayer d'enlever le tiroir.

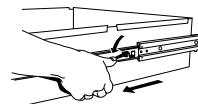
Pour enlever :

1. Ouvrir le tiroir complètement.
2. Localiser les onglets noirs en triangles des deux côtés du tiroir.



A. Onglet

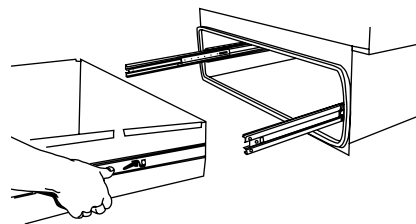
3. Appuyer sur l'onglet du côté droit et soulever en même temps l'onglet du côté gauche, puis ouvrir le tiroir 1" (2,54 cm) de plus pour désengager le loquet.



4. Tenir le tiroir par les côtés (non par l'avant). Le sortir complètement et lentement.

Pour réinstaller :

1. Aligner les glissières du tiroir avec les guides.



2. Pousser le tiroir jusqu'au fond.
3. Ouvrir et fermer le tiroir doucement pour s'assurer qu'il repose bien sur les guides.

Nettoyage général

IMPORTANT : Avant le nettoyage, s'assurer que toutes les commandes sont désactivées et que le tiroir-réchaud et ses accessoires sont refroidis. Toujours suivre les instructions sur les étiquettes des produits de nettoyage.

Du savon, de l'eau et un chiffon doux ou une éponge sont recommandés à moins d'indication contraire.

SURFACES EN ACIER INOXYDABLE

Ne pas utiliser de tampons de récurage savonneux, nettoyeurs abrasifs, crème à polir pour table de cuisson, tampons en laine d'acier, chiffons de lavage rudes ou certains essuie-tout. Des dommages peuvent survenir.

Frotter dans la direction du grain pour éviter les dommages.

- Nettoyant et poli pour acier inoxydable (non compris) :
Voir la section "Assistance ou service" pour passer une commande.
- Détergent liquide ou nettoyant tout-usage :
Rincer à l'eau propre et sécher avec un chiffon doux sans charpie.
- Vinaigre pour les taches d'eau dure

BOUTON DE COMMANDE

Ne pas utiliser de la laine d'acier, des produits de nettoyage abrasifs ou un nettoyeur à four.

Ne pas faire tremper le bouton.

Lors de la réinstallation des boutons, s'assurer que chaque bouton est sur la position OFF (arrêt).

- Eau et savon :
Tirer les boutons directement hors du tableau de commande pour les enlever. Laver, rincer et sécher avec un chiffon doux.

TIROIR-RÉCHAUD

- Essuie-tout et nettoyant à vitres :
S'assurer que le tiroir a refroidi. Suivre les instructions du fabricant.
- Eau tiède savonneuse et tampon de récurage non abrasif en plastique :
Laver et rincer avec de l'eau propre et sécher complètement.

GRILLE DE POSITIONNEMENT

- Tampon en laine d'acier et eau tiède savonneuse :
Laver, rincer et sécher complètement.

PLATS

- Savon doux et eau :
Laver, rincer et sécher avec un chiffon doux. Ne pas nettoyer dans un lave-vaisselle. Une décoloration se produirait.

DÉPANNAGE

Essayer les solutions suggérées ici d'abord afin d'éviter le coût d'une visite de service non nécessaire.

Le tiroir-réchaud ne fonctionne pas

- **Est-ce que le cordon d'alimentation est débranché?**
Brancher sur une prise reliée à la terre (à trois alvéoles).
- **Un fusible est-il grillé ou le disjoncteur s'est-il ouvert?**
Remplacer le fusible ou remettre le disjoncteur en fonction.
- **L'interrupteur d'alimentation est-il à la position "ON" sans que le voyant ne soit allumé?**
Réinitialiser l'appareil en tournant l'interrupteur d'alimentation à "OFF" (arrêt), puis à "ON" (marche). L'appareil était peut-être en mode minuterie et la minuterie avait peut-être terminé son cycle.

Le tiroir ne glisse pas bien

- **Le tiroir a-t-il été bien installé sur les glissières?**
Voir la section "Entretien du tiroir-réchaud".
- **Le tiroir a-t-il été trop chargé?**
Le poids dans le tiroir ne devrait pas dépasser 100 lb (45 kg).
- **La charge dans le tiroir est-elle déséquilibrée?**
Redistribuer les aliments pour équilibrer le poids uniformément.

Humidité excessive sur le tiroir

- **Le tiroir a-t-il été préchauffé?**
Préchauffer le tiroir avant chaque utilisation. Voir la section "Utilisation du tiroir-réchaud".
- **Le réglage MOIST-DRY (humide-sec) est-il correct?**
Régler le curseur MOIST-DRY à "DRY" pour évacuer l'humidité.
- **L'aliment était-il recouvert de papier d'aluminium?**
Voir la section "Papier d'aluminium".

Le tiroir ne se ferme pas automatiquement

- **La minuterie a-t-elle été dépassée?**
Vérifier l'interrupteur de dépassement de la minuterie. Il doit se trouver à la position "OFF" pour que la minuterie fonctionne bien.

ASSISTANCE OU SERVICE

Avant de faire un appel pour assistance ou service, consulter la section "Dépannage". Ce guide peut vous faire économiser le coût d'une visite de service. Si vous avez encore besoin d'aide, suivre les instructions ci-dessous.

Lors d'un appel, veuillez connaître la date d'achat, le numéro de modèle et le numéro de série au complet de l'appareil. Ces renseignements nous aideront à mieux répondre à votre demande.

Si vous avez besoin de pièces de rechange

Si vous avez besoin de commander des pièces de rechange, nous vous recommandons d'employer uniquement des pièces spécifiées par l'usine. Les pièces spécifiées par l'usine conviendront et fonctionneront bien parce qu'elles sont fabriquées avec la même précision que celles utilisées dans la fabrication de chaque nouvel appareil KITCHENAID®.

Pour localiser des pièces spécifiées par l'usine dans votre région, contactez-nous ou appelez le centre de service désigné de KitchenAid le plus proche.

Pour des questions relatives aux produits, veuillez appeler sans frais le Centre d'interaction avec la clientèle de KitchenAid Canada au : **1-800-461-5681**

Lundi à vendredi 8 h - 18 h (HNE).

Samedi 8 h 30 - 16 h 30 (HNE).

Nos consultants vous renseigneront sur les sujets suivants :

- Caractéristiques et spécifications sur toute notre gamme d'appareils électroménagers.
- Références aux marchands locaux.

Pour pièces, accessoires et service

Composer le **1-800-807-6777**. Les techniciens de service désignés par KitchenAid Canada sont formés pour remplir la garantie des produits et fournir un service après la garantie, partout au Canada.

Pour plus d'assistance

Si vous avez besoin de plus d'assistance, vous pouvez soumettre par écrit toute question ou préoccupation à KitchenAid Canada à l'adresse suivante :

Centre d'interaction avec la clientèle
KitchenAid Canada
1901 Minnesota Court
Mississauga, Ontario L5N 3A7

Veuillez inclure dans votre correspondance un numéro de téléphone où on peut vous joindre dans la journée.

GARANTIE DU TIROIR-RÉCHAUD KITCHENAID®

GARANTIE LIMITÉE DE UN AN

Pendant un an à compter de la date d'achat, lorsque ce gros appareil ménager est utilisé et entretenu conformément aux instructions jointes à ou fournies avec le produit, KitchenAid ou KitchenAid Canada (ci-après désignées "KitchenAid") paiera pour les pièces spécifiées par l'usine et la main-d'œuvre pour corriger les vices de matériaux ou de fabrication. Le service doit être fourni par une compagnie de service désignée par KitchenAid.

KITCHENAID NE PRENDRA PAS EN CHARGE

1. Les visites de service pour rectifier l'installation du gros appareil ménager, montrer à l'utilisateur comment utiliser l'appareil, remplacer ou réparer des fusibles ou rectifier le câblage ou la plomberie du domicile.
2. Les visites de service pour réparer ou remplacer les ampoules électriques de l'appareil, les filtres à air ou les filtres à eau. Ces pièces consommables ne sont pas couvertes par la garantie.
3. Les réparations lorsque le gros appareil ménager est utilisé à des fins autres que l'usage unifamilial normal.
4. Les dommages imputables à : accident, modification, usage impropre ou abusif, incendie, inondation, actes de Dieu, installation fautive ou installation non conforme aux codes d'électricité ou de plomberie, ou l'utilisation de produits non approuvés par KitchenAid.
5. Le coût des pièces de rechange et de la main-d'œuvre pour les appareils utilisés hors des États-Unis ou du Canada.
6. Le ramassage et la livraison. Ce gros appareil ménager est conçu pour être réparé à domicile.
7. Les réparations aux pièces ou systèmes résultant d'une modification non autorisée faite à l'appareil.
8. Les frais de voyage ou de transport pour le service d'un produit dans les régions éloignées.
9. La dépose et la réinstallation de votre appareil si celui-ci est installé dans un endroit inaccessible ou n'est pas installé conformément aux instructions d'installation fournies.

CLAUSE D'EXONÉRATION DE RESPONSABILITÉ AU TITRE DES GARANTIES IMPLICITES; LIMITATION DES RECOURS

LE SEUL ET EXCLUSIF RECOURS DU CLIENT DANS LE CADRE DE LA PRÉSENTE GARANTIE LIMITÉE CONSISTE EN LA RÉPARATION PRÉVUE CI-DESSUS. LES GARANTIES IMPLICITES, Y COMPRIS LES GARANTIES APPLICABLES DE QUALITÉ MARCHANDE ET D'APTITUDE À UN USAGE PARTICULIER, SONT LIMITÉES À UN AN OU À LA PLUS COURTE PÉRIODE AUTORISÉE PAR LA LOI. KITCHENAID N'ASSUME AUCUNE RESPONSABILITÉ POUR LES DOMMAGES FORTUITS OU INDIRECTS. CERTAINES JURIDICTIONS NE PERMETTENT PAS L'EXCLUSION OU LA LIMITATION DES DOMMAGES FORTUITS OU INDIRECTS, OU LES LIMITATIONS DE LA DURÉE DES GARANTIES IMPLICITES DE QUALITÉ MARCHANDE OU D'APTITUDE À UN USAGE PARTICULIER, DE SORTE QUE CES EXCLUSIONS OU LIMITATIONS PEUVENT NE PAS S'APPLIQUER DANS VOTRE CAS. CETTE GARANTIE VOUS CONFÈRE DES DROITS JURIDIQUES SPÉCIFIQUES ET VOUS POUVEZ ÉGALEMENT JOUIR D'AUTRES DROITS QUI PEUVENT VARIER D'UNE JURIDICTION À UNE AUTRE.

À l'extérieur du Canada et des 50 États des États-Unis, cette garantie ne s'applique pas. Contacter votre marchand KitchenAid autorisé pour déterminer si une autre garantie s'applique.

Si vous avez besoin de service, voir d'abord la section "Dépannage" du Guide d'utilisation et d'entretien. Après avoir vérifié la section "Dépannage", de l'aide supplémentaire peut être trouvée en vérifiant la section "Assistance ou service" ou en appelant KitchenAid. Aux É.-U., composer le **1-800-422-1230**. Au Canada, composer le **1-800-807-6777**. 9/05

Conservez ce manuel et votre reçu de vente ensemble pour référence ultérieure. Pour le service sous garantie, vous devez présenter un document prouvant la date d'achat ou d'installation.

Inscrivez les renseignements suivants au sujet de votre gros appareil ménager pour mieux vous aider à obtenir assistance ou service en cas de besoin. Vous devrez connaître le numéro de modèle et le numéro de série au complet. Vous trouverez ces renseignements sur la plaque signalétique située sur le produit.

Nom du marchand _____

Adresse _____

Numéro de téléphone _____

Numéro de modèle _____

Numéro de série _____

Date d'achat _____

8304068

© 2005. All rights reserved.
Tous droits réservés.

® Registered Trademark/TM Trademark of KitchenAid, U.S.A., KitchenAid Canada licensee in Canada
® Marque déposée/TM Marque de commerce de KitchenAid, U.S.A., Emploi licencié par KitchenAid Canada au Canada

9/05
Printed in U.S.A.
Imprimé aux É.-U.

Free Manuals Download Website

<http://myh66.com>

<http://usermanuals.us>

<http://www.somanuals.com>

<http://www.4manuals.cc>

<http://www.manual-lib.com>

<http://www.404manual.com>

<http://www.luxmanual.com>

<http://aubethermostatmanual.com>

Golf course search by state

<http://golfingnear.com>

Email search by domain

<http://emailbydomain.com>

Auto manuals search

<http://auto.somanuals.com>

TV manuals search

<http://tv.somanuals.com>