

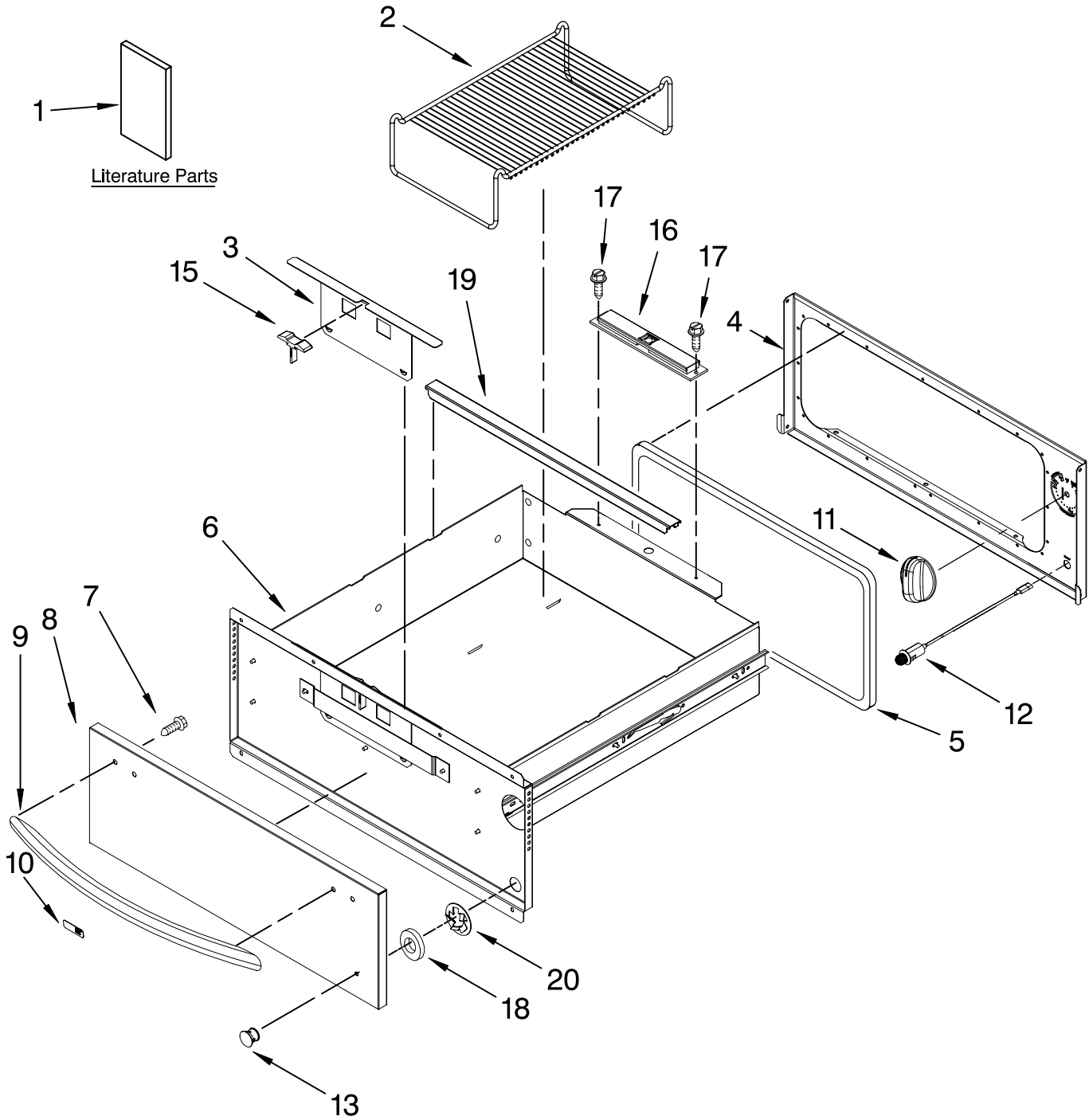
# CONTROL, DOOR AND DRAWER PARTS

For Models: KEWS175SSS03, KEWS175SPA03

(Stainless) (Panel Ready)

27" ELECTRIC  
BUILT-IN  
WARMING DRAWER

**KitchenAid®**



FOR ORDERING INFORMATION REFER TO PARTS PRICE LIST

# CONTROL, DOOR AND DRAWER PARTS

For Models: KEWS175SSS03, KEWS175SPA03

(Stainless) (Panel Ready)

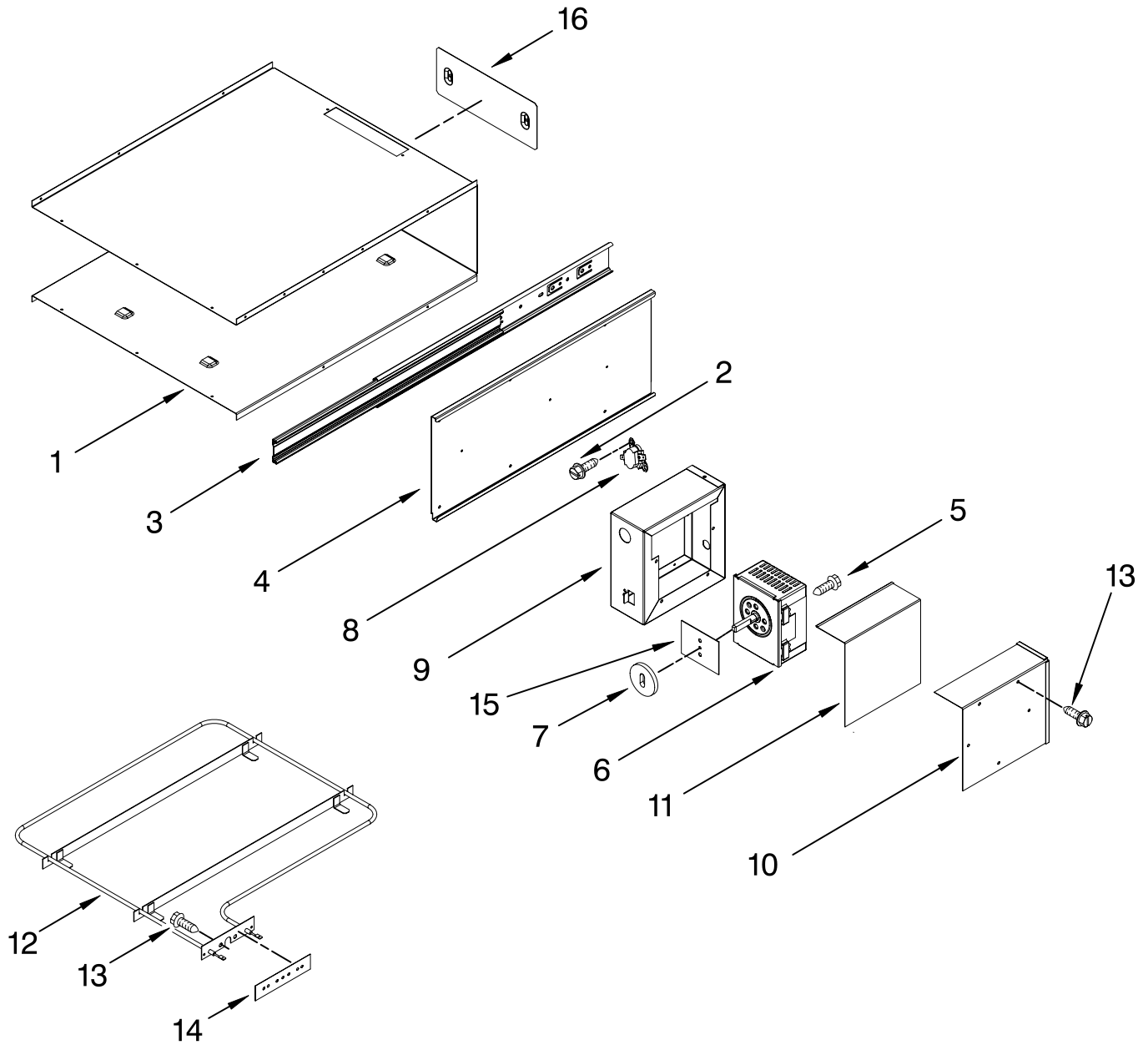
<b>Illus. No.</b>	<b>Part No.</b>	<b>DESCRIPTION</b>
1		Literature Parts
	W10064720	Tech Sheet
	W10162186	Use & Care Guide
	9763140	Installation Instructions
2	8273277	Rack, Warming
3	W10162376	Slide, Vent
4	W10162373	Panel, Front
5	W10164997	Gasket, Drawer
6	9763645	Drawer
7	4449743	Screw
8	W10139504	Door, Front Panel Stainless Only
9	8303775SS	Handle, Drawer Stainless Only
10	8304603SS	Badge Stainless Only
11	4455984	Knob, Thermostat
12	W10080130	Light, Indicator
13		Lens, Light
	4456314	Stainless
	9763644	Custom Wood, Panel Only
15	9763125	Grip, Vent
16	W10035910	Magnet
17	3196537	Screw (2)
18	4456861	Spacer, Lens
19	W10139493	Rail, Pan (2)
20	4456862	Clip, Lens Retainer

FOR ORDERING INFORMATION REFER TO PARTS PRICE LIST

# INTERNAL WARMING DRAWER PARTS

For Models: KEWS175SSS03, KEWS175SPA03

(Stainless) (Panel Ready)



FOR ORDERING INFORMATION REFER TO PARTS PRICE LIST

# INTERNAL WARMING DRAWER PARTS

For Models: KEWS175SSS03, KEWS175SPA03

(Stainless) (Panel Ready)

<b>Illus. No.</b>	<b>Part No.</b>	<b>DESCRIPTION</b>
1	9762304	Wrapper
2	313806	Screw (1)
3	W10188461	Slide Assembly
4		Wall
	9762307	Right
	9762308	Left
5	311865	Screw
6	W10121337	Control
7	W10117362	Gasket, Control
8	9763126	Thermal Fuse
9	9763122	Enclosure, Electric
10	9763121	Cover, Enclosure
11	W10117363	Gasket, Enclosure
12	9762343	Element, Heating
13	3196537	Screw
14	W10118049	Seal, Heating Element
15	W10118113	Seal, Switch
16	W10118073	Heat Shield

---

## FOLLOWING PARTS NOT ILLUSTRATED

---

## WIRING HARNESS PARTS

W10129043 Harness, Main  
W10129023 Power Cord  
W10131847 Sensor, Sealed  
4452601 Strain Relief

## ACCESSORY PARTS

Front Panel  
Assembly, Includes  
Handle & Badge  
8212669 Black  
8212670 White

FOR ORDERING INFORMATION REFER TO PARTS PRICE LIST

## Free Manuals Download Website

<http://myh66.com>

<http://usermanuals.us>

<http://www.somanuals.com>

<http://www.4manuals.cc>

<http://www.manual-lib.com>

<http://www.404manual.com>

<http://www.luxmanual.com>

<http://aubethermostatmanual.com>

Golf course search by state

<http://golfingnear.com>

Email search by domain

<http://emailbydomain.com>

Auto manuals search

<http://auto.somanuals.com>

TV manuals search

<http://tv.somanuals.com>