

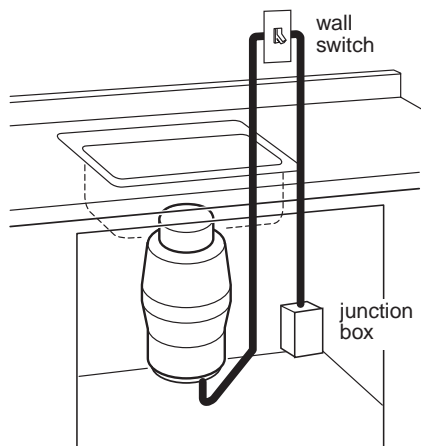
KitchenAid® Food-Waste Disposer

PRODUCT MODEL NUMBER

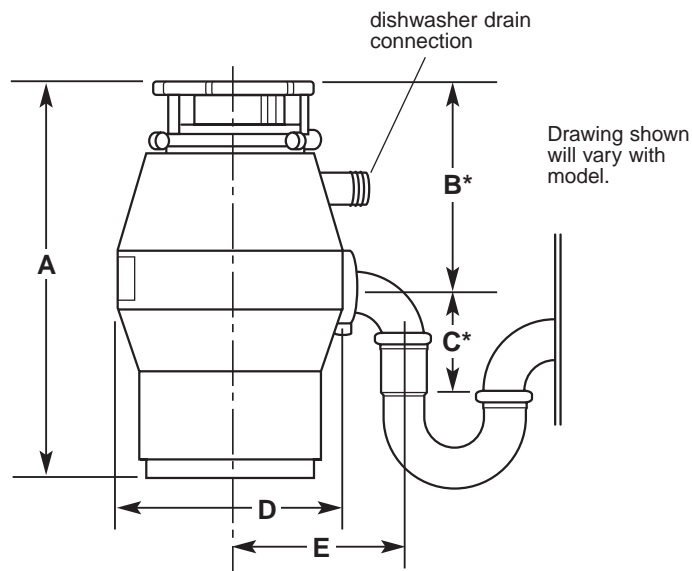
KBDS250X
 KCDC250X
 KCDI250X
 KCDS250X

Electrical: A 120-volt, 60-Hz, AC-only 15- or 20-amp fused, grounded electrical supply is required. It is recommended that a separate circuit serving only your food-waste disposer be provided. Time-delay fuse of circuit breaker is recommended.

For continuous feed models, install a 15- or 20-amp wall switch above the countertop and junction box inside cabinet as shown. (Switch and electrical wiring can be obtained locally.) Position switch in a convenient location. Connect switch to junction box.



OVERALL DIMENSIONS



Model No.	A	B*	C*	D	E
KBDS250X	16-1/16"	9-7/16"	4"	10-1/16"	7-1/8"
KCDC250X	12-3/8"	6/7/8"	4"	7-3/4"	5-3/8"
KCDI250X	13-7/16"	6-13/16"	4"	9-1/16"	5-3/4"
KCDS250X	13-11/16"	6-13/16"	4"	10-1/16"	7-1/8"

B* – Distance from bottom of sink to center line of disposer outlet. Add 1/2 inch when stainless steel sink is used.

C* – Length of waste line pipe from center line of disposer outlet to end of waste line pipe.

IMPORTANT: Plumb waste line to prevent standing water in disposer motor housing.

Free Manuals Download Website

<http://myh66.com>

<http://usermanuals.us>

<http://www.somanuals.com>

<http://www.4manuals.cc>

<http://www.manual-lib.com>

<http://www.404manual.com>

<http://www.luxmanual.com>

<http://aubethermostatmanual.com>

Golf course search by state

<http://golfingnear.com>

Email search by domain

<http://emailbydomain.com>

Auto manuals search

<http://auto.somanuals.com>

TV manuals search

<http://tv.somanuals.com>