

KitchenAid®

VALUE DISPOSERS

MODELS KWC-200B, KD-200

KD-100

INSTALLATION INSTRUCTIONS

INSTALLER: FINAL CHECK LIST

GENERAL

- 1. Remove unit from carton and check for shipping damage.
- 2. Sink flange assembled in center of drain opening and tightly sealed.
- 3. Disposer level — not installed at an angle.
- 4. If a dishwasher drain is connected into the disposer, check to assure that the inlet knockout has been removed.

PLUMBING

- 1. If installed in old house, existing drain line from sink to sewer cleaned.
- 2. Long, horizontal drain lines eliminated.
- 3. Drum traps and grease traps should not be used.
- 4. Seal at drain spout properly positioned.
- 5. Center line height of drain line must not exceed center line height of disposer discharge opening.
- 6. Mounting screws and spout screws properly tightened to prevent leaks.
- 7. Compliance with all aspects of local plumbing code.

ELECTRICAL CONNECTION

- 1. Properly fused, 115 volt, 60 hertz branch circuit of 15 ampere capacity.
- 2. Disposer properly grounded before operating.
- 3. All connections must comply with the National Electrical Code and/or local electrical code.

OPERATIONAL

- 1. Before operating, check to assure grind chamber is free of any foreign objects.
- 2. Activate disposer - test for grinding performance and water leaks.

T H A N K Y O U I N S T A L L E R :

- 1. Complete Installation Check List.
- 2. Leave all literature (including Check List) for customer.
- 3. Notify dealer that electrical work and plumbing are completed.

GENERAL INSTRUCTIONS

1. In old houses it is generally wise to clean out the existing drain line from sink to sewer before installing the disposer.
2. The disposer can be installed in a steel, monel, stainless steel, or cast iron sink having a sink opening of 3-1/2" to 4" without sink alteration.
3. Standard 1-1/2" O.D. or 2" O.D. drain pipe is satisfactory for drain lines. Long horizontal drain lines should be eliminated. Drum-traps and grease traps should not be used.

SINK FLANGE ASSEMBLY

1. Remove disposer cover (1).
2. Insert screwdriver under lever (10) and pry outward. Disengage hooks (11) and (7) from support plate (5).
3. Remove existing sink drain connections and clean drain opening.
4. Disassemble items 2, 3, 4, and 5 of mounting assembly by prying snap ring (6) from groove in sink flange (2).
5. Fit the sink flange seal (14) to the sink flange (1). Insert sink flange into drain opening. Be sure the sink flange is located in the center of the drain opening to assure a water-tight seal. **NOTE:** The rubber sink flange seal should always be used where possible. In rare instances where the contour or thickness of the sink opening does not permit use of the seal, a permanently pliable sealing compound may be used.

THE SINK FLANGE MUST BE LEVEL BEFORE MOUNTING DISPOSER.

6. Assemble the second sink flange seal (3), pressure washer (4) and support plate (5) onto the sink flange and lock in place with snap ring (6). Tighten the three jack screws (12) **EVENLY** against pressure washer (4) to secure the mounting assembly to the sink.

DISHWASHER CONNECTION (IF APPLICABLE)

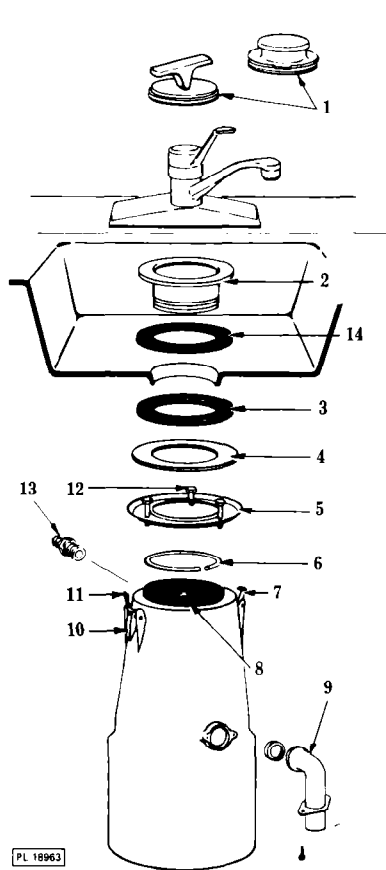
Connecting the discharge of a dishwasher to a disposer will assure all waste particles discharged by the dishwasher are properly sized and flushed through to the main drain system. A dishwasher drain inlet that will accept a 3/4" I.D. hose fitting is provided in the side of the upper housing grinding chamber for connection of the dishwasher discharge.

1. Use a small cold chisel or punch to cut out the back wall knockout of the dishwasher inlet boss of the disposer.
2. Turn the disposer upside down to remove any pieces or chips from the grinding chamber.
3. **KD-100, KD-200, & KWC-200B MODELS** – Where plumbing codes require, a 3/4" galvanized pipe fitting may be substituted for the plastic fitting (13) provided. Where plumbing codes permit, use a rubber hose sleeve connection to prevent transmission of normal operating noise.

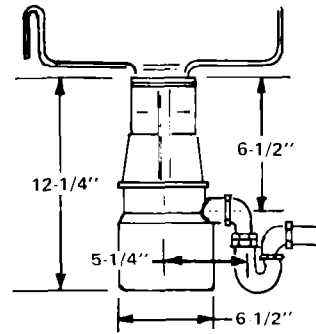
NOTE: All connections must be in accordance with local plumbing codes.

DISPOSER INSTALLATION

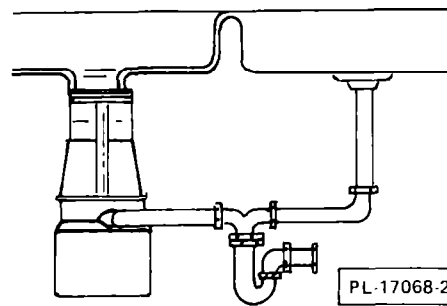
1. Be sure the isolating splash guard (8) is in place. Lift disposer and engage hook (7) onto support plate (4), then engage hook (11) onto support plate (4). Turn disposer to align with drain trap. Snap lever (10) downward to lock.
2. Connect the drain trap to the spout (9). If necessary, pry lever (10) outward and turn disposer for better alignment.
3. Connect the dishwasher drain hose to the disposer inlet (13) with a hose clamp (where applicable).
4. Check to assure that the grinding chamber is clean of any foreign objects and the flywheel is free to rotate. Place the cover in position and fill the sink at least three inches deep. Remove the cover and, as the water drains, check all connections for leaks.



TYPICAL INSTALLATIONS Height of drain must not exceed height of disposer discharge opening.



Typical "P" Trap Connection



Connection With Straight-Away Drain Spout

**WARNING: DISCONNECT ELECTRICAL POWER SUPPLY AT THE FUSE/
CIRCUIT BREAKER BOX BEFORE MAKING ELECTRICAL CONNECTIONS.**

Follow the National Electrical Code and/or your local electrical code in all details. In older houses with limited circuits, or if it appears the circuit is heavily loaded, run a line directly to the main fuse box.

1. Remove the electrical access cover on the bearing bracket assembly.
2. Install standard strain relief connector (not furnished) into threaded opening in bearing bracket assembly.
3. Install the control switch where it is easily accessible for the owner. Recommended: On-Off switch suitable for operation of 1/2 H.P. motor. (Switch not furnished).
4. Run flexible conduit, or equivalent, from the control switch to the disposer motor leads located in the bearing bracket assembly. Connect unit to ground (See illustration and grounding instructions below).
5. Press wires into the electrical access compartment and replace cover.
6. Run flexible conduit, or equivalent, from the control switch to the electrical power supply. Insulate all connections.

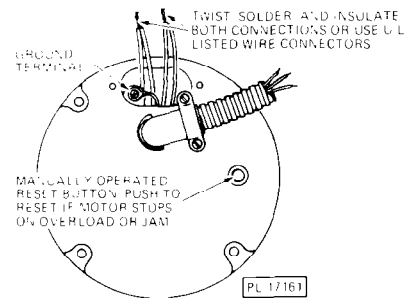
GROUNDING INSTRUCTIONS (Cord – Connected Units)

This appliance must be grounded. In the event of a malfunction or breakdown, grounding provides a path of least resistance for electric current to reduce the risk of electric shock. This appliance is equipped with a cord having an equipment grounding conductor and a grounding plug. The plug must be plugged into an appropriate outlet that is properly installed and grounded in accordance with all local codes and ordinances.

DANGER: Improper connection of the equipment-grounding conductor can result in a risk of electric shock. Check with a qualified electrician or serviceman if you are in doubt as to whether the appliance is properly grounded. Do not modify the plug provided with the appliance - if it will not fit the outlet, have a proper outlet installed by a qualified electrician.

**GROUNDING INSTRUCTIONS
(Permanent – Connected Units)**

This appliance must be connected to a grounded, metal, permanent wiring system; or an equipment-grounding conductor must be run with the circuit conductors and connected to the equipment-grounding terminal or lead on the appliance.



KITCHENAID DIVISION



TROY, OHIO 45374

Free Manuals Download Website

<http://myh66.com>

<http://usermanuals.us>

<http://www.somanuals.com>

<http://www.4manuals.cc>

<http://www.manual-lib.com>

<http://www.404manual.com>

<http://www.luxmanual.com>

<http://aubethermostatmanual.com>

Golf course search by state

<http://golfingnear.com>

Email search by domain

<http://emailbydomain.com>

Auto manuals search

<http://auto.somanuals.com>

TV manuals search

<http://tv.somanuals.com>