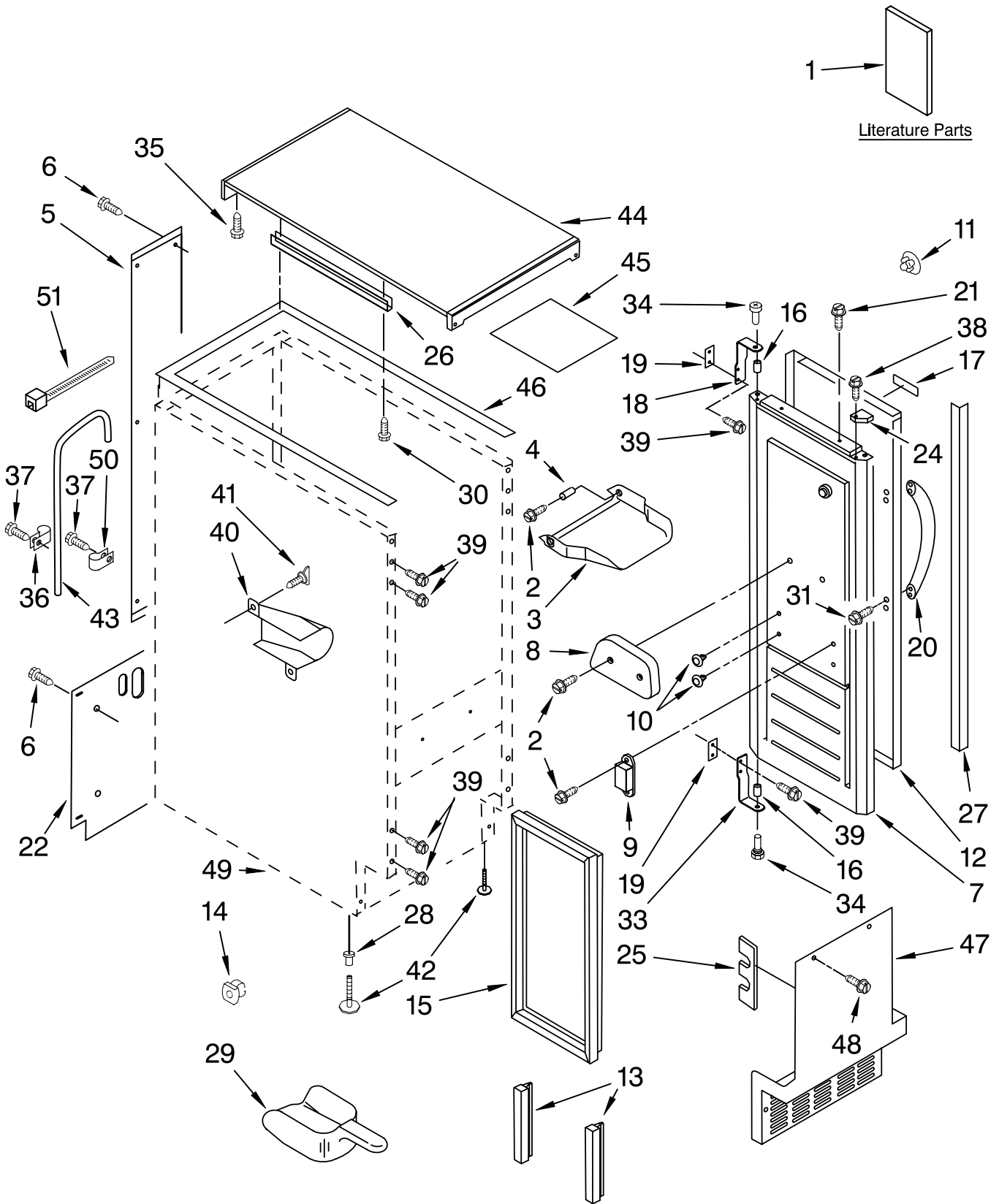


# CABINET LINER AND DOOR PARTS

For Models: KUIC15PRTS2  
(Stainless-Pump Model)

ICE CUBE  
MAKER

**KitchenAid®**



FOR ORDERING INFORMATION REFER TO PARTS PRICE LIST

# CABINET LINER AND DOOR PARTS

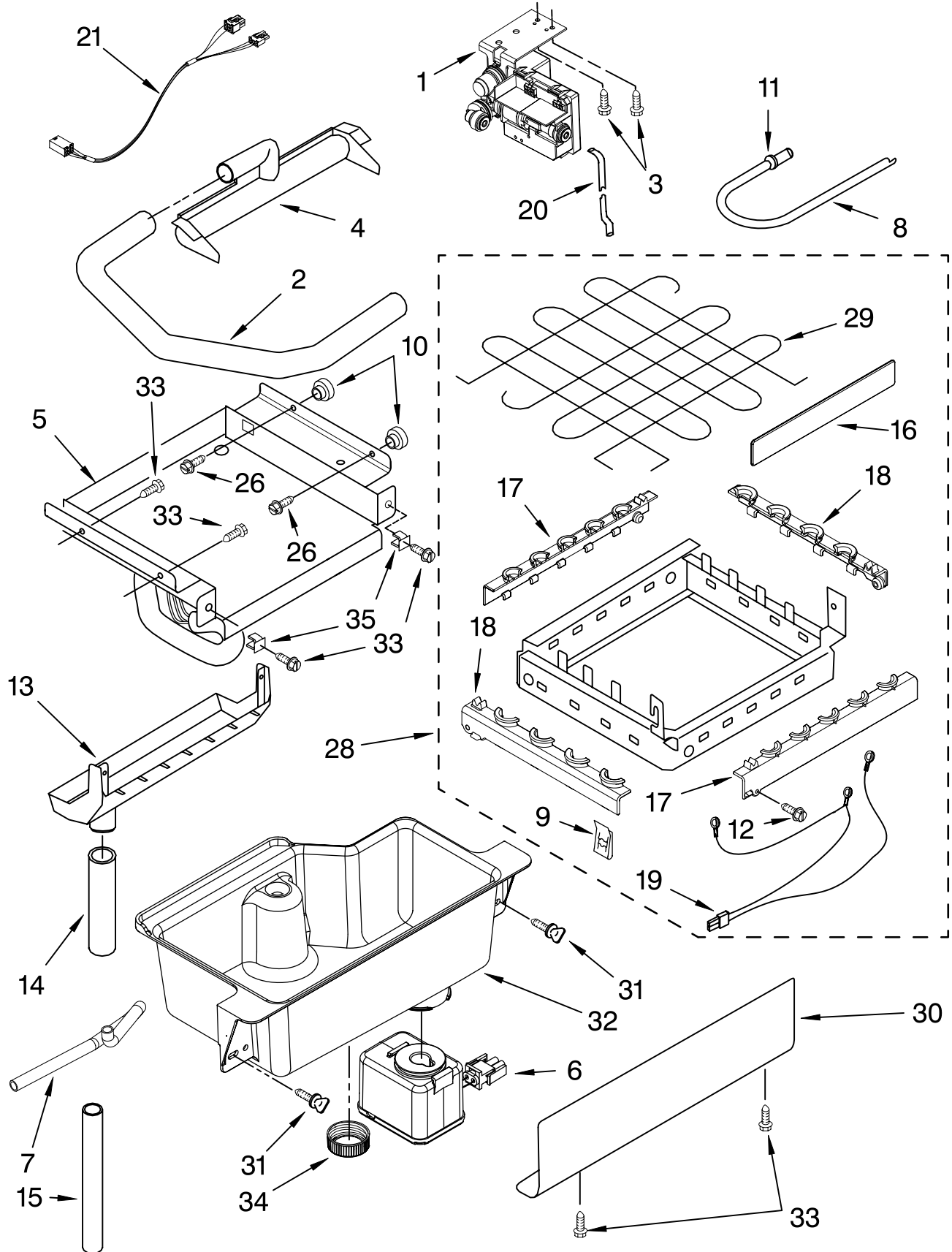
For Models: KUIC15PRTS2  
(Stainless-Pump Model)

Illus. No.	Part No.	DESCRIPTION	Illus. No.	Part No.	DESCRIPTION	Illus. No.	Part No.	DESCRIPTION
1		Literature Parts	16	2185640	Sleeve, Hinge	33	2185711	Hinge, Bottom
	W10136156	Use & Care Guide	17	W10046610	Nameplate	34	2185712	Pin, Hinge
	W10163556	Service & Wiring Sheet	18	2185710	Hinge, Top	35	489048	Screw, Ground 8-32 x 1/2
2	3400886	Screw 8-18 x 1 1/4	19	2185709	Shim, Hinge	36	2208367	Clamp
3	2185742	Bin, Door	20	9872207S	Handle, Door	37	8281265	Screw
4	2185678	Spacer	21	8281186	Screw	38	348689	Screw 8-18 x 3/4
5	2217394	Cover, Wiring	22	W10136199	Assembly, Unit Cover	39	489423	Screw
6	489442	Screw	24		Filler, Endcap	40	2185927	Holder, Scoop
7	2932803B	Door		2185655B	Left Side	41	8281228	Thumbscrew
8	2185695	Cam, Door		2185656B	Right Side	42	3374849	Leg, Leveler(4)
9	2217393	Assembly, Magnetic Catch	25	2185756	Pad, Foam	43	2217467	Tube, Air Vent
10	941839	Plug, Hole	26	2185691	Channel, Wiring	44	2929700B	Top
11	2189000	Hole Plug, Handle	27	2185964	Grommet, Edge Guard (2)	45	2185690	Shield, Electrical
12	2313815	Wrap, Door	28	3400240	Nut, Leg Leveler	46	W10163530	Gasket, Top Panel
13	2217367	Gasket, Bottom	29	585158	Scoop	47	2185571B	Grill, Front
14	692400	Nut, Push-In	30	3400884	Screw 8-18 x 5/8	48	489474	Screw 8-18 x 1 Cabinet & Liner (NOT SERVICED)
15	2217294	Gasket, Door	31	3400237	Screw 10-32 x 3/8	49		
						50	489505	Clamp
						51	2155774	Strap

FOR ORDERING INFORMATION REFER TO PARTS PRICE LIST

# EVAPORATOR, ICE CUTTER GRID AND WATER PARTS

For Models: KUI15PRTS2  
(Stainless-Pump Model)



FOR ORDERING INFORMATION REFER TO PARTS PRICE LIST

# EVAPORATOR, ICE CUTTER GRID AND WATER PARTS

For Models: KUIC15PRTS2

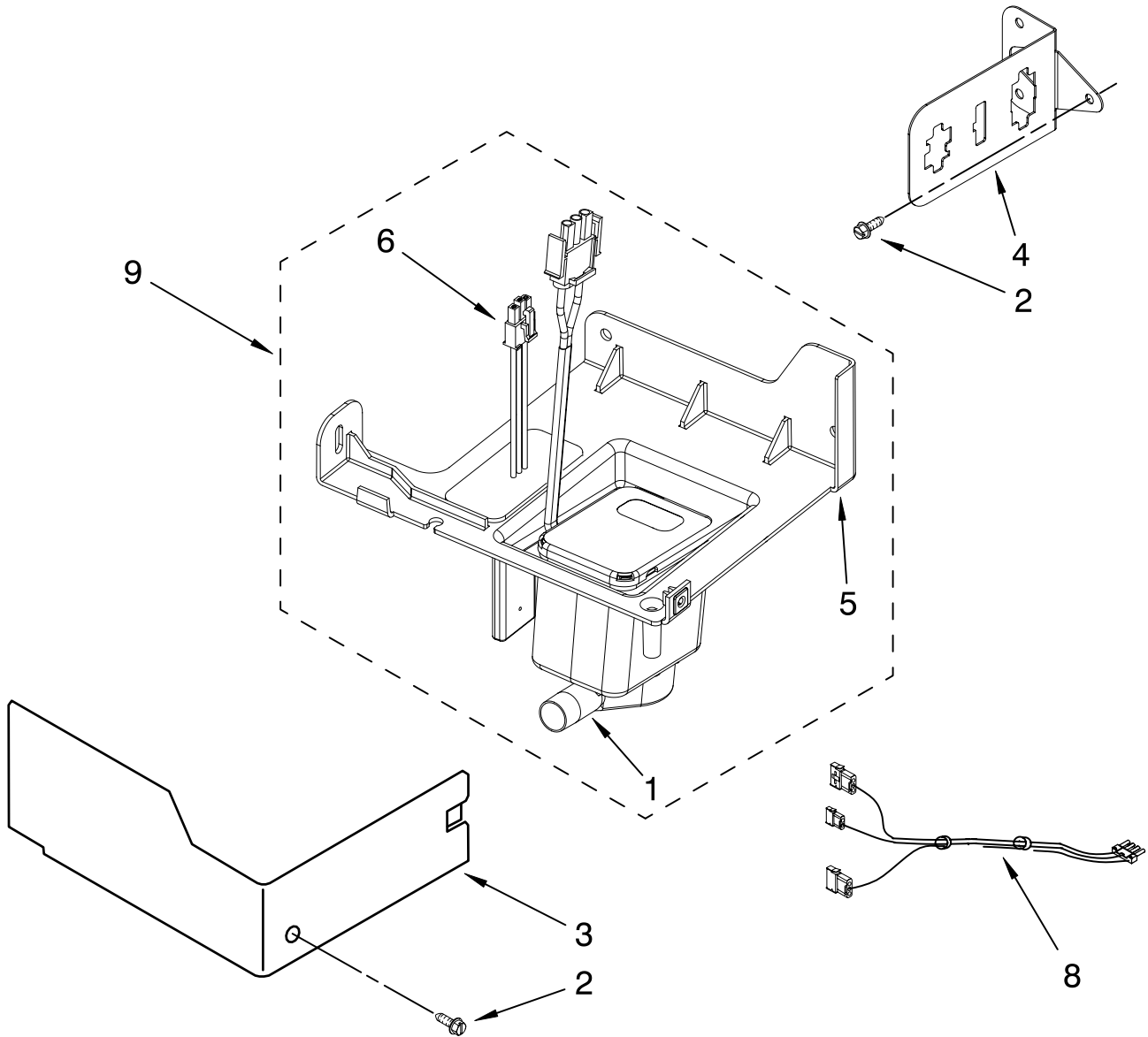
(Stainless-Pump Model)

<b>Illus. No.</b>	<b>Part No.</b>	<b>DESCRIPTION</b>
1	W10217917	Valve, Complete Water
2	2217286	Tube, Plastic
3	488208	Screw
4	2185523	Dispenser, Water
5	2217269	Evaporator
6	2313705	Pump Reservoir Drain
7	2313851	Tube, Reservoir Pump
8	2172593	Tube, Water Fill
9	488660	Nut, Speed
10	836667	Spacer
11	2208539	Fastener, Pushnut
12	489443	Screw
13	2185625	Reservoir, Water Slide
14	2185626	Tube
15	2313890	Hose, Overflow
16	2313604	Guide-Ice Grid
17	2313603	Bracket, Front and Rear
18	2313602	Bracket, Side Left and Right
19	2185681	Harness, Grid
20	W10136146	Tube
21	2310169	Wire Assembly Valve
26	3400886	Screw 8-18 x 1 1/4
28	2313637	Grid Assembly (Complete)
29	2174754	Wire, Grid Cutter
30	2185570	Cover, Grid
31	8281228	Thumbscrew
32	2324334	Reservoir, Water
33	3400884	Screw 8-18 x 5/8
34	2185696	Cap, Drain
35	3400909	Nut, Push-In

FOR ORDERING INFORMATION REFER TO PARTS PRICE LIST

# PUMP PARTS

For Models: KUIC15PRTS2  
(Stainless-Pump Model)



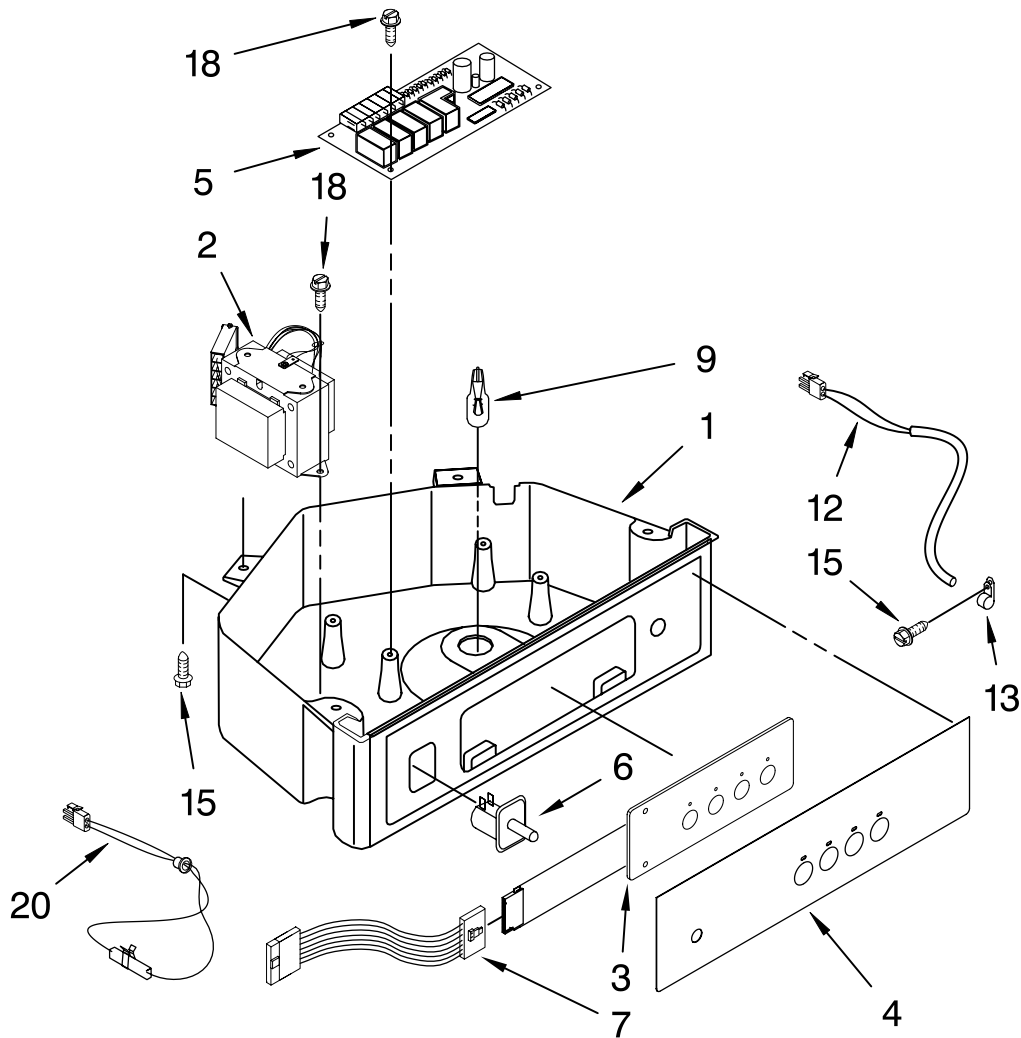
Illus. No.	Part No.	DESCRIPTION
1	2313628	Pump Recirculating
2	3400884	Screw 8-18 x 5/8
3	2185677	Cover, Pump
4	2313844	Bracket, Connector Assembly
5	2313627	Bracket-Pump
6	2313643	Sensor-Water Level
8	2310092	Wiring Harness Main To Pump
9	2313702	Pump Assembly

FOR ORDERING INFORMATION REFER TO PARTS PRICE LIST

# CONTROL PANEL PARTS

For Models: KUIC15PRTS2

(Stainless-Pump Model)

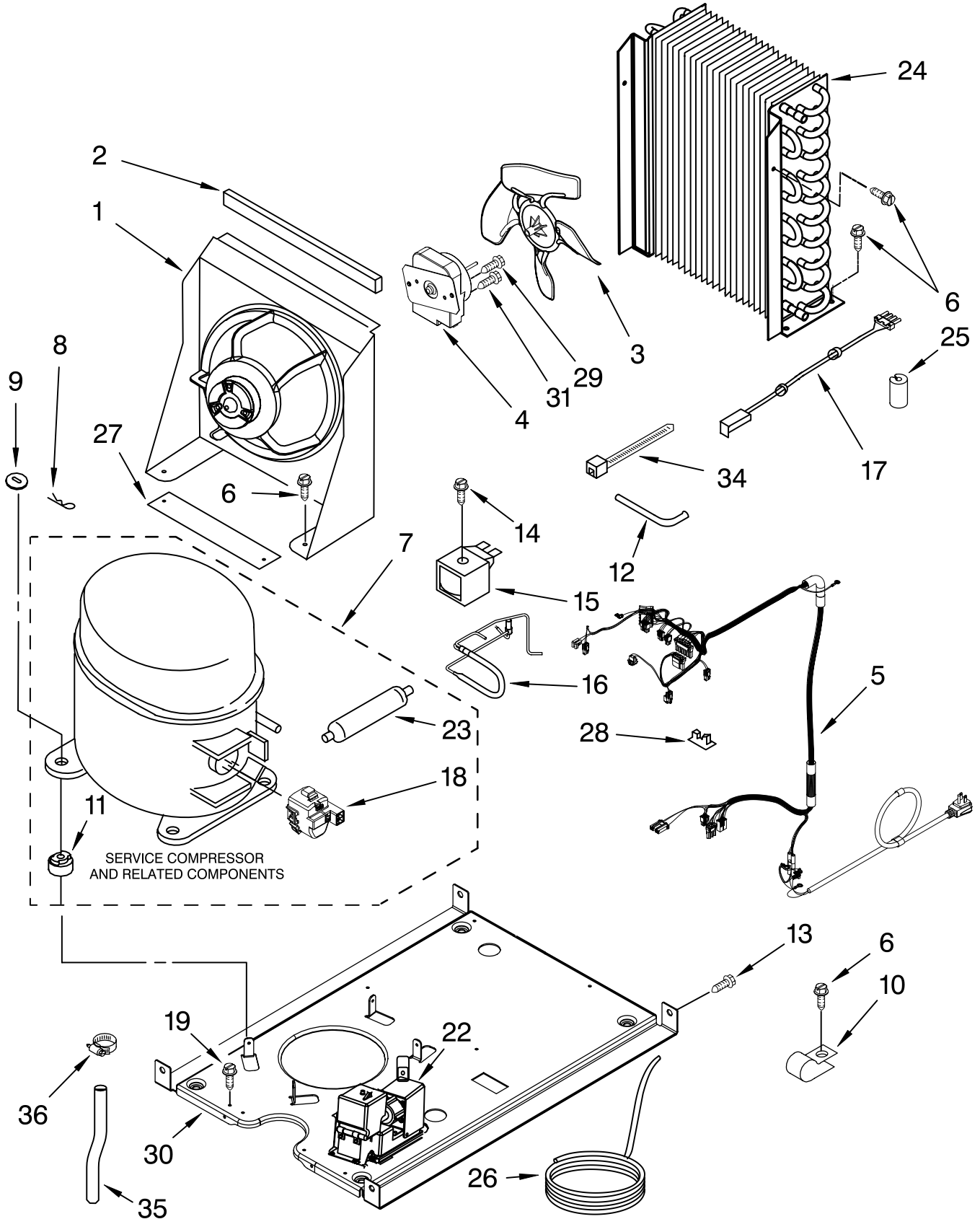


Illus. No.	Part No.	DESCRIPTION
1	2185738	Box, Control
2	2310139	Transformer
3	2304122	Assembly, Switch (ALSO ORDER #4)
4	2313693	Overlay
5	W10141364	Control Board
6	2149705	Switch, Plunger Grid/Light
7	2187585	Wire Assy-Active Overlay Jumper
9	745362	Bulb
12	2313633	Thermostat, Bin
13	2185825	Clamp
15	3400884	Screw 8-18 x 5/8
18	3400850	Screw 8-16 x 3/8
20	2313635	Thermister, Ice Control

FOR ORDERING INFORMATION REFER TO PARTS PRICE LIST

# UNIT PARTS

For Models: KUIC15PRTS2  
(Stainless-Pump Model)



FOR ORDERING INFORMATION REFER TO PARTS PRICE LIST

# UNIT PARTS

For Models: KUIC15PRTS2  
(Stainless-Pump Model)

Illus. No.	Part No.	DESCRIPTION	Illus. No.	Part No.	DESCRIPTION	Illus. No.	Part No.	DESCRIPTION
1	2185532	Bracket, Fan Mtg.	12	2208415	Tube, Process	24	2313624	Condenser
2	2185675	Pad, Foam	13	8281265	Screw	25	2319835	Grommet-Cond.(1)
3	2188935	Blade, Fan	14	489472	Screw	26	2208432	Tube, Drainage
4	2315558	Motor & Mounting Plate Assembly	15	W10206473	Coil, Solenoid	27	2217397	Pad, Foam (2)
5	W10209470	Wiring Harness, Complete Unit (Includes Power Cord)	16	2313806	Hot Gas Valve	28	1115375	Clip-Wiring
6	304392	Screw 8-18 x 1/2	17	2187629	Wiring Harness, Condenser Fan	29	8281197	Screw
7	W10136195	Compressor (Includes Illus. 11 & 23)	18	W10136197	Start Relay & Overload Combo Device	30	2217388	Base, Unit
8	A201435	Clip, Mounting	19	488500	Screw	31	8281196	Screw
9	A201441	Shim (4)	22	2208534	Pump, Drain	34	851095	Wire Tie
10	2185960	Clamp (Power Cord)	23	2319826	Drier Production	35	2185672	Tube, Drain
11	2217318	Grommet (4)		4387019	Drier Service	36	489503	Clamp
	4387558	Production Service						
						<b>REFRIGERANT CHARGE</b>		
						6.5 OZ. (R134A)		

FOR ORDERING INFORMATION REFER TO PARTS PRICE LIST



# OPTIONAL PARTS (NOT INCLUDED)

For Models: KUIC15PRTS2

(Stainless-Pump Model)

<b>Illus. No.</b>	<b>Part No.</b>	<b>DESCRIPTION</b>
Parts Not Illustrated and Optional Parts (Not Included)		

503695	Sealer, Cork (1/4 Pound)
797403	Cement, Insulation (1 Oz.)
505587	Sealer, Mastic (1 Qt.)
212643	Sealer, Gum (22 Pcs. 3/16" x 7")
479976	Kit, Insulation (5 Pcs. 3" x 24" x 48")
8537055	Cleaner, Stainless Steel
978025	Valve, Access (1/4")
978026	Valve, Access (5/16")
978027	Valve, Access (3/8")
978028	Valve, Access (1/2")
978029	Valve, Access (5/8")
978030	Valve, Access (3/4")

## ACCESSORIES

	Previous Architect Series Handle Kit
2217442S	Stainless Steel

FOR ORDERING INFORMATION REFER TO PARTS PRICE LIST

## Free Manuals Download Website

<http://myh66.com>

<http://usermanuals.us>

<http://www.somanuals.com>

<http://www.4manuals.cc>

<http://www.manual-lib.com>

<http://www.404manual.com>

<http://www.luxmanual.com>

<http://aubethermostatmanual.com>

Golf course search by state

<http://golfingnear.com>

Email search by domain

<http://emailbydomain.com>

Auto manuals search

<http://auto.somanuals.com>

TV manuals search

<http://tv.somanuals.com>