

CABINET LINER AND DOOR PARTS

For Models: KUIS15NRTW1, KUIS15NRTT1, KUIS15NRTB1, KUIS15NRTS1

(White) (Biscuit) (Black) (Stainless Steel)

Illus. No.	Part No.	DESCRIPTION	Illus. No.	Part No.	DESCRIPTION	Illus. No.	Part No.	DESCRIPTION
1		Literature Parts	18	2185710	Hinge, Top	32	2189000	Plug, Handle
	2313814	Use & Care Guide	19	2185709	Shim, Hinge	33	2185711	Hinge, Bottom
	2324311	Service & Wiring Sheet	20		Handle, Door	34	2185712	Pin, Hinge
				2208492W	White	35	489048	Screw, Ground
				2208492T	Biscuit	36	692400	Nut, Push-In
				2208492B	Black	37	3400240	Nut,
2	3400886	Screw	22	W10136199	Assembly, Unit Cover			Leg Leveler
3	2185742	Bin, Door				38	348689	Screw
4	2185678	Spacer	23		Screw	39	489423	Screw
5	2217394	Cover, Wiring		8281188	White	40	2185927	Holder, Scoop
6	489442	Screw		8281187	Biscuit	41	8281228	Thumbscrew
7		Door		8281186	Black	42	3374849	Leg, Leveler (4)
	2932803W	White	24		Filler, Endcap Left Side	43	2155774	Strap
	2932803T	Biscuit		2185655W	White	44		Top
	2932803B	Black		2185655T	Biscuit		2929700W	White
	2932803BS	Stainless Steel		2185655B	Black		2929700T	Biscuit
8	2185695	Cam, Door			Right Side		2929700B	Black
9	2217393	Assembly, Magnetic Catch		2185656W	White	45	2185690	Shield, Electrical
10	941839	Plug, Hole		2185656T	Biscuit	46	2217293	Gasket, Top Panel
11	2208136	Clamp		2185656B	Black	47		Grill, Front
13	2217367	Gasket, Bottom	25	2185756	Pad, Foam		2185571W	White
14	489503	Clamp	26	2185691	Channel, Wiring		2185571T	Biscuit
15	2217294	Gasket, Door	28	2185989	Tube, Drain		2185571B	Black
16	2185640	Sleeve, Hinge	29	585158	Scoop	48	489474	Screw
17		Nameplate	30	3400884	Screw	49		Cabinet & Liner (NOT SERVICED)
	W10046670	White						
	W10046700	Biscuit						
	W10046640	Black						
	W10046610	Grey						

FOR ORDERING INFORMATION REFER TO PARTS PRICE LIST

EVAPORATOR, ICE CUTTER GRID AND WATER PARTS

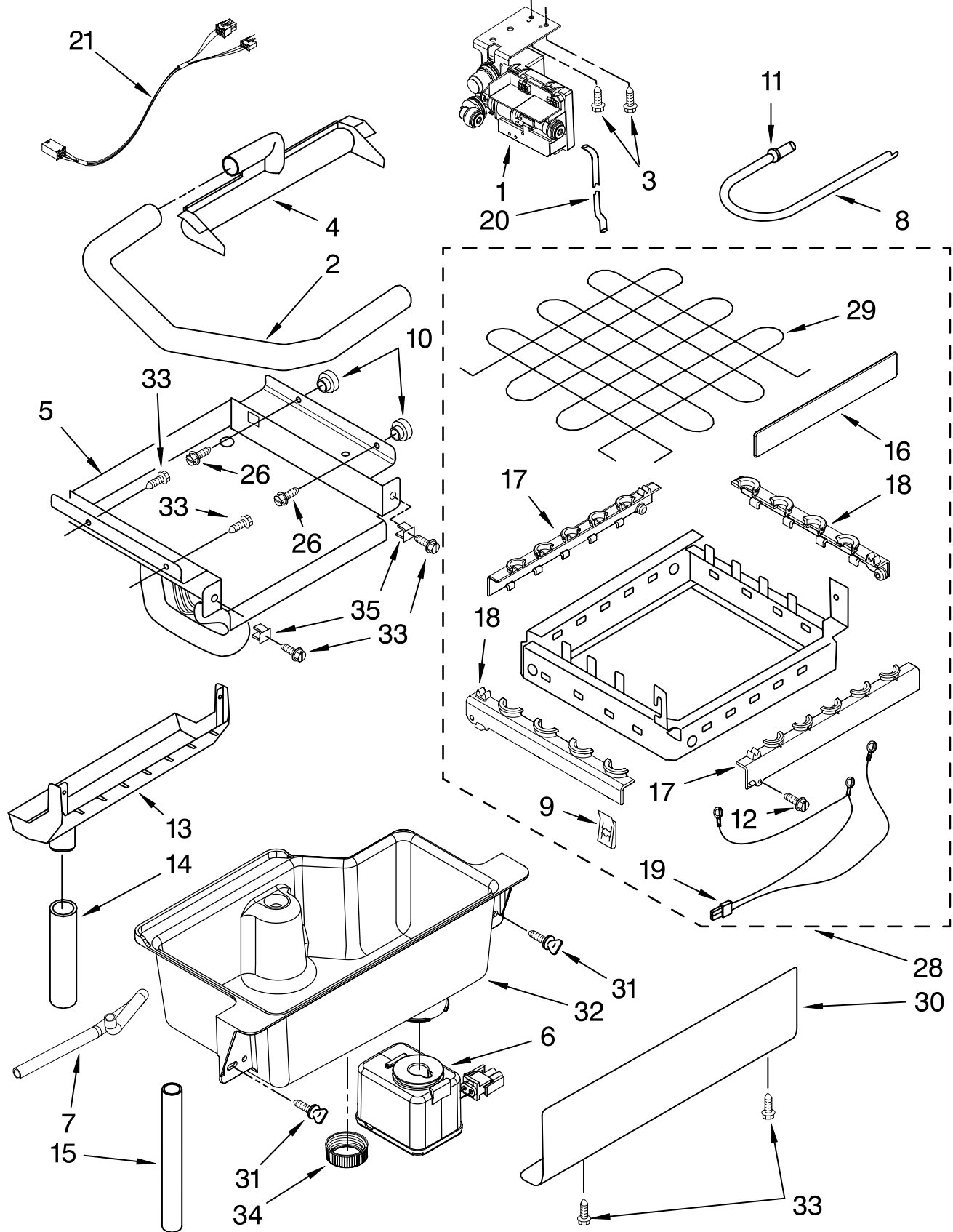
For Models: KUIS15NRTW1, KUIS15NRTT1, KUIS15NRTB1, KUIS15NRTS1

(White)

(Biscuit)

(Black)

(Stainless Steel)



FOR ORDERING INFORMATION REFER TO PARTS PRICE LIST

EVAPORATOR, ICE CUTTER GRID AND WATER PARTS

For Models: KUIS15NRTW1, KUIS15NRTT1, KUIS15NRTB1, KUIS15NRTS1

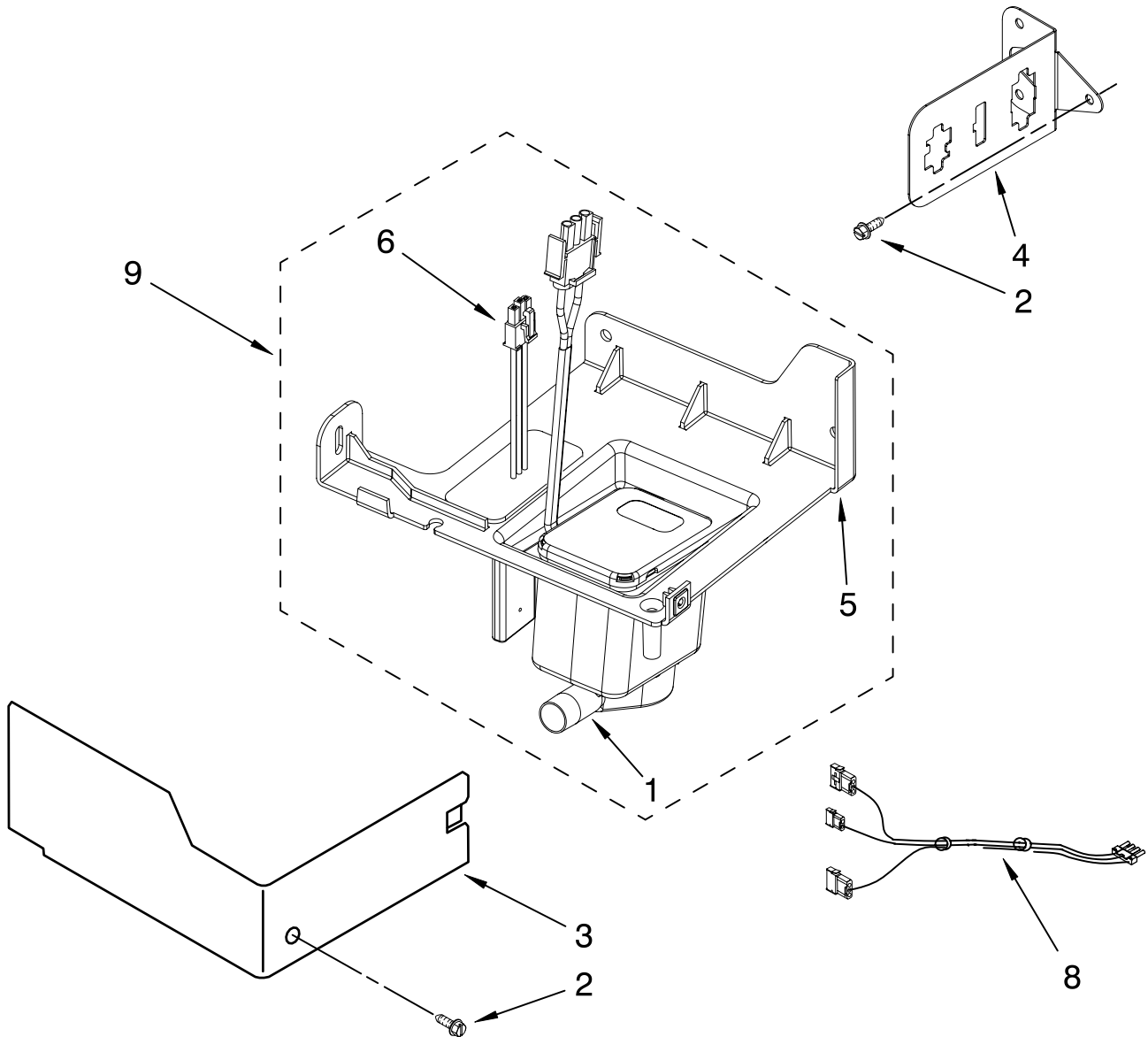
(White) (Biscuit) (Black) (Stainless Steel)

Illus. No.	Part No.	DESCRIPTION
1	W10159841	Valve, Complete Water
2	2217286	Tube, Plastic
3	488208	Screw
4	2185523	Dispenser, Water
5	2217269	Evaporator
6	2313705	Pump, Drain
7	2313851	Tube, Reservoir Pump
8	2172593	Tube, Water Fill
9	488660	Nut, Speed
10	836667	Spacer
11	2208539	Fastener, Pushnut
12	489443	Screw
13	2185625	Reservoir, Water Slide
14	2185626	Tube
15	2313890	Hose, Overflow
16	2313604	Guide-Ice, Grid
17	2313603	Bracket, Front and Rear
18	2313602	Bracket, Side Left and Right
19	2185681	Harness, Grid
20	W10136146	Tube
21	2310169	Wire Assembly (Valve)
26	3400886	Screw
28	2313637	Grid Assembly (Complete)
29	2174754	Wire, Grid Cutter
30	2185570	Cover, Grid
31	8281228	Thumbscrew
32	2324334	Reservoir, Water
33	3400884	Screw
34	2185696	Cap, Drain
35	3400909	Nut, Push-In

FOR ORDERING INFORMATION REFER TO PARTS PRICE LIST

PUMP PARTS

For Models: KUIS15NRTW1, KUIS15NRTT1, KUIS15NRTB1, KUIS15NRTS1
 (White) (Biscuit) (Black) (Stainless Steel)

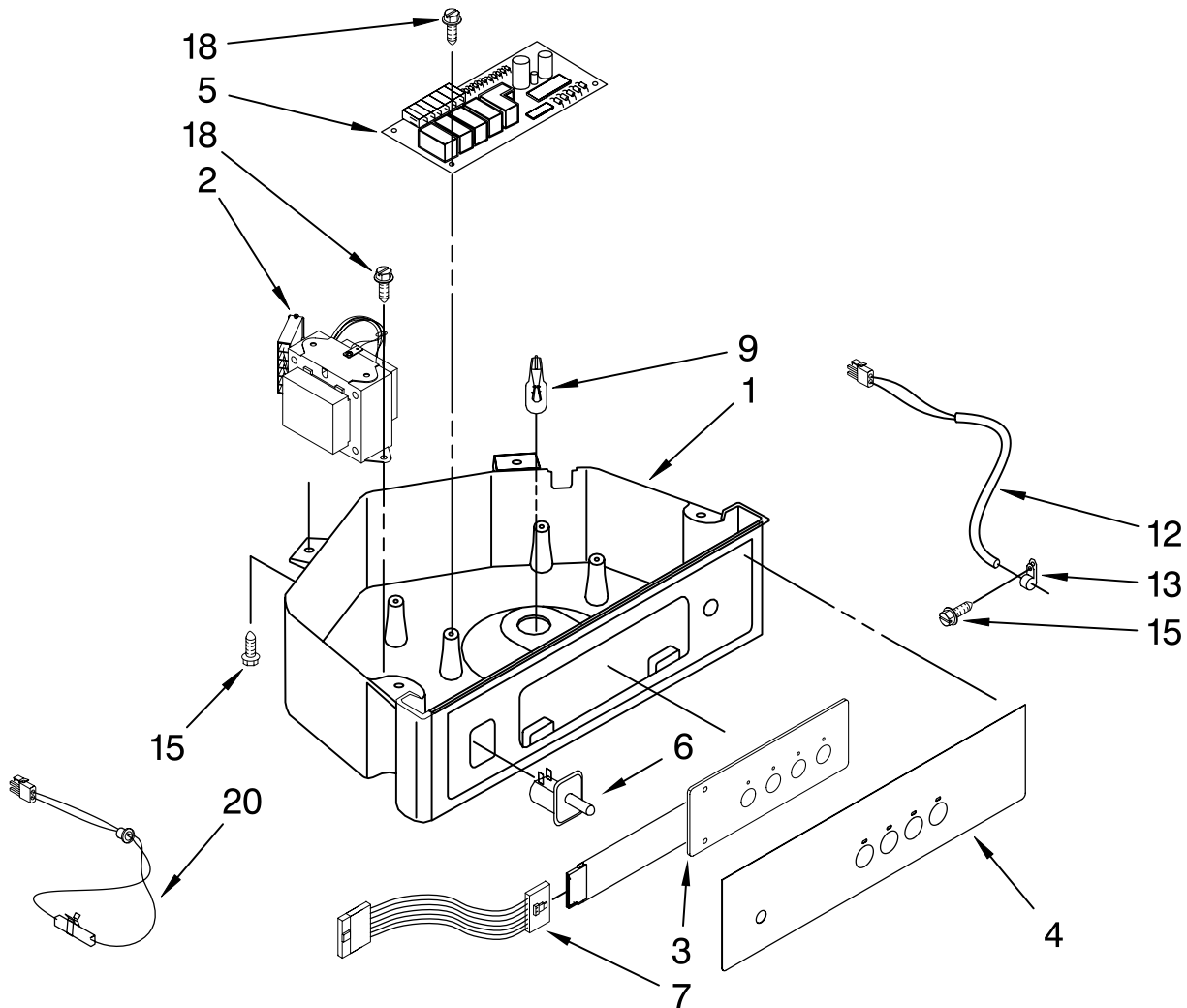


Illus. No.	Part No.	DESCRIPTION
1	2313628	Pump-Recirculating
2	3400884	Screw 8-18 X 5/8
3	2185677	Cover, Pump
4	2313844	Bracket, Connector Assembly
5	2313627	Bracket-Pump
6	2313643	Sensor-Water Level
8	2310092	Wiring Harness Main To Pump
9	2313702	Pump Assembly

FOR ORDERING INFORMATION REFER TO PARTS PRICE LIST

CONTROL PANEL PARTS

For Models: KUIS15NRTW1, KUIS15NRTT1, KUIS15NRTB1, KUIS15NRTS1
 (White) (Biscuit) (Black) (Stainless Steel)

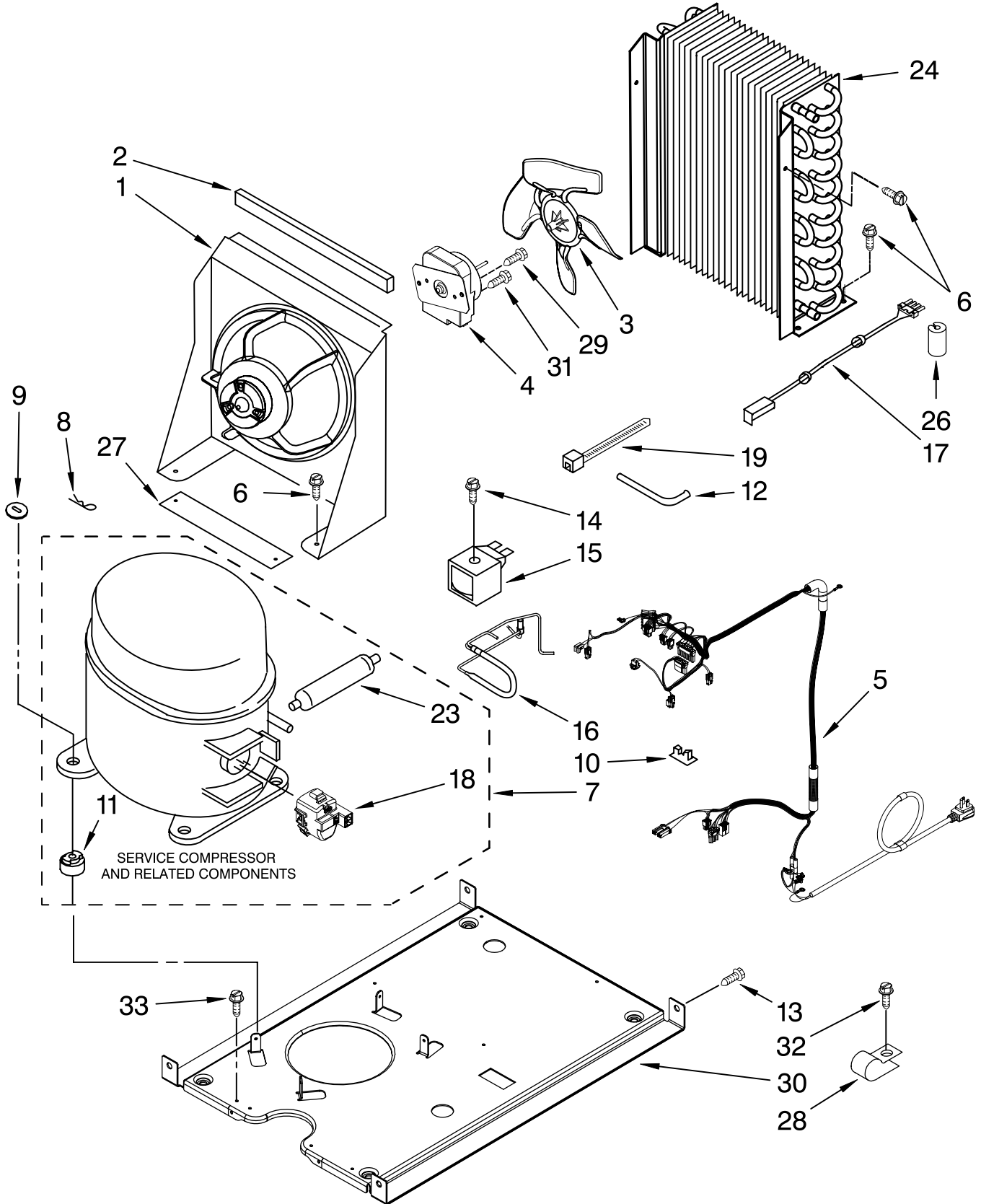


Illus. No.	Part No.	DESCRIPTION
1	W10139127	Box, Control
2	2310139	Transformer
3	2304122	Assembly, Switch (ALSO ORDER #4)
4	2313693	Overlay
5	W10122069	Control Board
6	2149705	Switch, Plunger Grid/Light
7	2187585	Wire Assy. Active Overlay Jumper
9	745362	Bulb
12	2313633	Thermostat, Bin
13	2185825	Clamp
15	3400884	Screw
18	3400850	Screw
20	2313635	Thermister, Ice Control

FOR ORDERING INFORMATION REFER TO PARTS PRICE LIST

UNIT PARTS

For Models: KUIS15NRTW1, KUIS15NRTT1, KUIS15NRTB1, KUIS15NRTS1
(White) (Biscuit) (Black) (Stainless Steel)



FOR ORDERING INFORMATION REFER TO PARTS PRICE LIST

UNIT PARTS

For Models: KUIS15NRTW1, KUIS15NRTT1, KUIS15NRTB1, KUIS15NRTS1
 (White) (Biscuit) (Black) (Stainless Steel)

Illus. No.	Part No.	DESCRIPTION
1	2185532	Bracket, Fan Mtg.
2	2185675	Pad, Foam
3	2188935	Blade, Fan
4	2315558	Motor & Mounting Plate Assembly
5	W10139121	Wiring Harness, Complete Unit (Includes Power Cord)
6	304392	Screw
7	W10136195	Compressor (Includes Illus. 11 & 23)
8	A201435	Clip, Mounting
9	A201441	Shim (4)
10	1115375	Clip-Wiring

Illus. No.	Part No.	DESCRIPTION
11		Grommet (4)
	2217318	Production
	4387558	Service
12	2208415	Tube, Process
13	489423	Screw
14	489472	Screw
15	759112	Coil, Solenoid
16	2313806	Hot Gas Valve
17	2187629	Wiring Harness, Condenser Fan
18	W10136197	Start Relay and Overload Combo Device
19	2155774	Strap
23		Drier
	2319826	Production
	4387019	Service

Illus. No.	Part No.	DESCRIPTION
24	2313624	Condenser
26	2319835	Grommet-Cond.(1)
27	2217397	Pad, Foam (2)
28	2185960	Clamp-Power Cord
29	8281197	Screw
30	2217388	Base, Unit
31	8281196	Screw
32	304392	Screw
33	488500	Ground Screw

REFRIGERANT CHARGE

6.5 OZ. (R134A)



FOR ORDERING INFORMATION REFER TO PARTS PRICE LIST

OPTIONAL PARTS (NOT INCLUDED)

For Models: KUIS15NRTW1, KUIS15NRTT1, KUIS15NRTB1, KUIS15NRTS1
(White) (Biscuit) (Black) (Stainless Steel)

Illus.	Part	
No.	No.	DESCRIPTION

Parts Not Illustrated and
Optional Parts (Not Included)

8171307	Cleaner, Icemaker
503695	Sealer, Cork (1/4 Pound)
797403	Cement, Insulation (1 Oz.)
505587	Sealer, Mastic (1 Qt.)
212643	Sealer, Gum (22 Pcs. 3/16" x 7")
479976	Kit, Insulation (5 Pcs. 3" x 24" x 48")
8537055	Cleaner, Stainless Steel
978025	Valve, Access (1/4")
978026	Valve, Access (5/16")
978027	Valve, Access (3/8")
978028	Valve, Access (1/2")
978029	Valve, Access (5/8")
978030	Valve, Access (3/4")

FOR ORDERING INFORMATION REFER TO PARTS PRICE LIST

Free Manuals Download Website

<http://myh66.com>

<http://usermanuals.us>

<http://www.somanuals.com>

<http://www.4manuals.cc>

<http://www.manual-lib.com>

<http://www.404manual.com>

<http://www.luxmanual.com>

<http://aubethermostatmanual.com>

Golf course search by state

<http://golfingnear.com>

Email search by domain

<http://emailbydomain.com>

Auto manuals search

<http://auto.somanuals.com>

TV manuals search

<http://tv.somanuals.com>