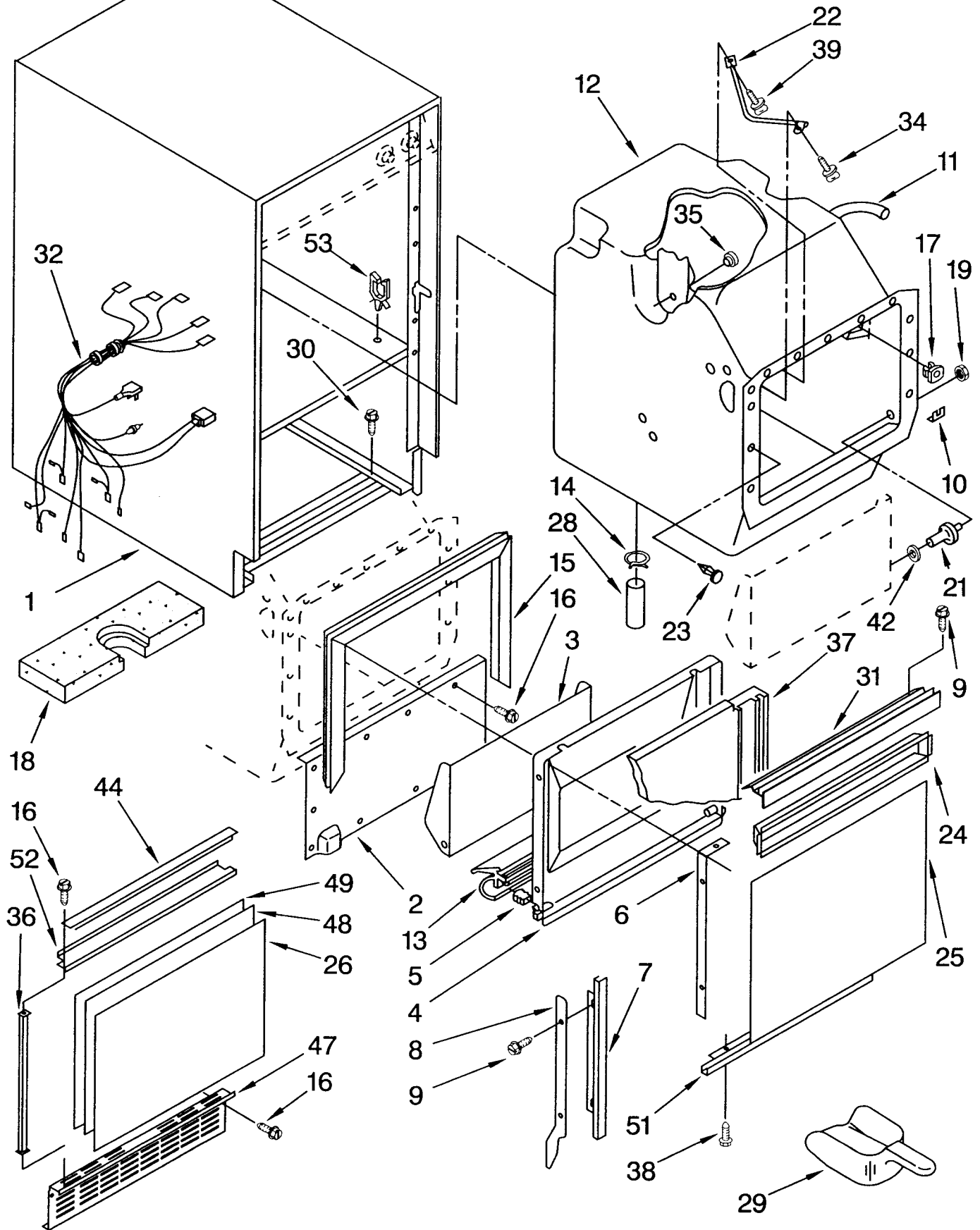


CABINET LINER AND DOOR PARTS

ICE CUBE
MAKER

For Model: KUIS185DWH0

KitchenAid



1	2175636	Shell
2	2175619	Front, Shell
3	756330	Door, Inner Bin
4	758655	Liner, Door
5	593192	Plug, Hinge
6	593104	Strip, Tapping (2)
7	2175667	Trim, Door (2)
8	593184	Rail, R.S.
	593185	Rail, L.S.
9	681459	Screw, 8-32 x 5/8 (6)
10	758492	Washer (2)
11	759213	Tube, Water Fill
12	756350	Liner (Includes Illus. 10, 11, 17, 19, 21 & 35)
13	2172898	Gasket, Bottom
14	596023	Clamp (2)
15	758921	Gasket
16	487909	Screw #8 x 1/2
17	596807	Grommet
18	756891	Insulation, Bottom, Foam
19	681542	Nut
21	758220	Stud (2)
22	593183	Well, Bin Thermostat
23	596812	Clip, Panel (12)
24	2175669	Pocket, Handle
25	758746	Panel, Exterior
26	758720	Panel, Outer
28	593577	Connector, Hose
29	585158	Scoop
30	680811	Screw, 10-32 x 3/8
31	2175668	Handle, Recessed
32	2174781	Harness, Cabinet
34	680930	Thumbscrew, 10-1/2
35	596715	Well Nut (3)
36	2175671	Trim, Side (2)
37	758608	Insulation, Door
38	681196	Screw
39	681419	Thumbscrew
42	681613	Washer
44	2175672	Trim, Top And Bottom
47	759132	Grill, Front
48	758770	Panel, Filler
49	758771	Panel, Inner
51	2175666	Trim, Door (Lower)
52	2175604	Support, Front
53	758844	Retainer, Wire

FOLLOWING PARTS NOT ILLUSTRATED

OPTIONAL PARTS NOT INCLUDED

503695	Sealer, Cork (1/4 Pound)
799351	Blend, Thinner (1 Gal.)
797403	Cement, Insulation (1 Oz.)
505587	Sealer, Mastic (1 Qt.)
212643	Sealer, Gum (22 Pcs. 3/16" x 7")
479976	Kit, Insulation (5 Pcs. 3" x 24" x 48")
978025	Valve, Access (1/4")
978026	Valve, Access (5/16")

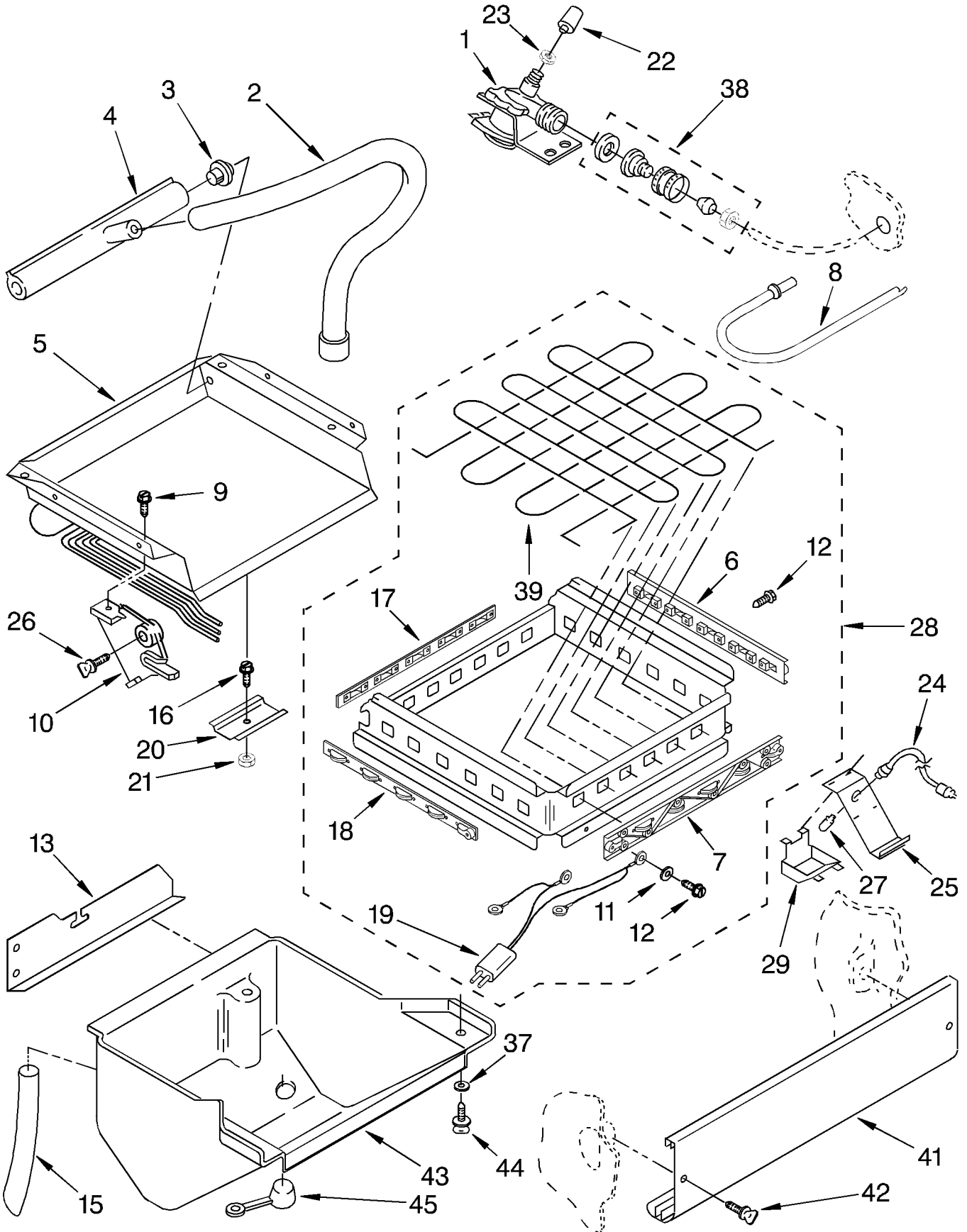
978027	Valve, Access (3/8")
978028	Valve, Access (1/2")
978029	Valve, Access (5/8")
978030	Valve, Access (3/4")

LITERATURE PARTS

LIT2175674	Use & Care Guide
LIT2175675	Instructions, Installation
LIT2174786	Service and Wiring Sheet
LIT2174784	Label, Wiring Diagram

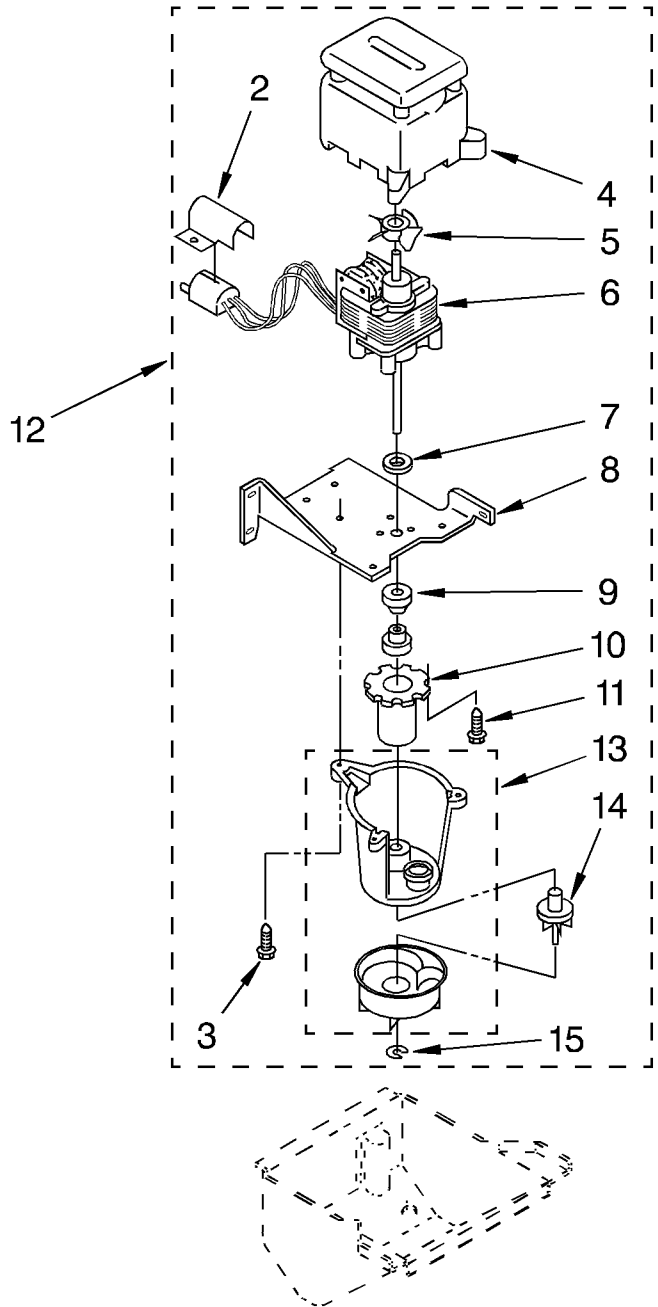
EVAPORATOR, ICE CUTTER GRID AND WATER PARTS

For Model: KUIS185DWH0



1	759296	Valve, Complete Water
2	585856	Tube, Plastic
3	758597	Plug (2)
4	1129798	Dispenser, Water
5	758028	Evaporator
6		Spacer, Adjustable
7		Spacer, Adjustable
8	759213	Tube, Water Fill
9	489049	Screw 10-12 x 1/2
10	756564	Bracket, Grid Mounting (2)
11		Washer, Plain
12		Screw
13	585853	Shelf, Water Pan
15	759109	Hose, Overflow
16	596037	Screw, 10-32 x 1/2
17		Spacer, Fixed
18		Spacer, Fixed
19		Harness, Grid
20	587662	Clamp
21	681676	Nut, Wing
22	841707	Insert
23	627018	Nut & Sleeve Assembly
24	758488	Harness, Light
25	758490	Bracket, Lamp
26	681611	Thumbscrew
27	745362	Bulb
28	2174752	Grid Assembly (Complete)
29	758489	Shield, Light
37	681245	Washer
38	2165477	Adapter
39		Wire, Grid Cutter
41	593171	Panel, Grid
42	681534	Thumbscrew, 10-32 x 5/8
43	756659	Pan
44	681419	Thumbscrew, 10 x 1/2
45	759043	Stopper, Water Pan

PUMP PARTS
For Model: KUIS185DWH0

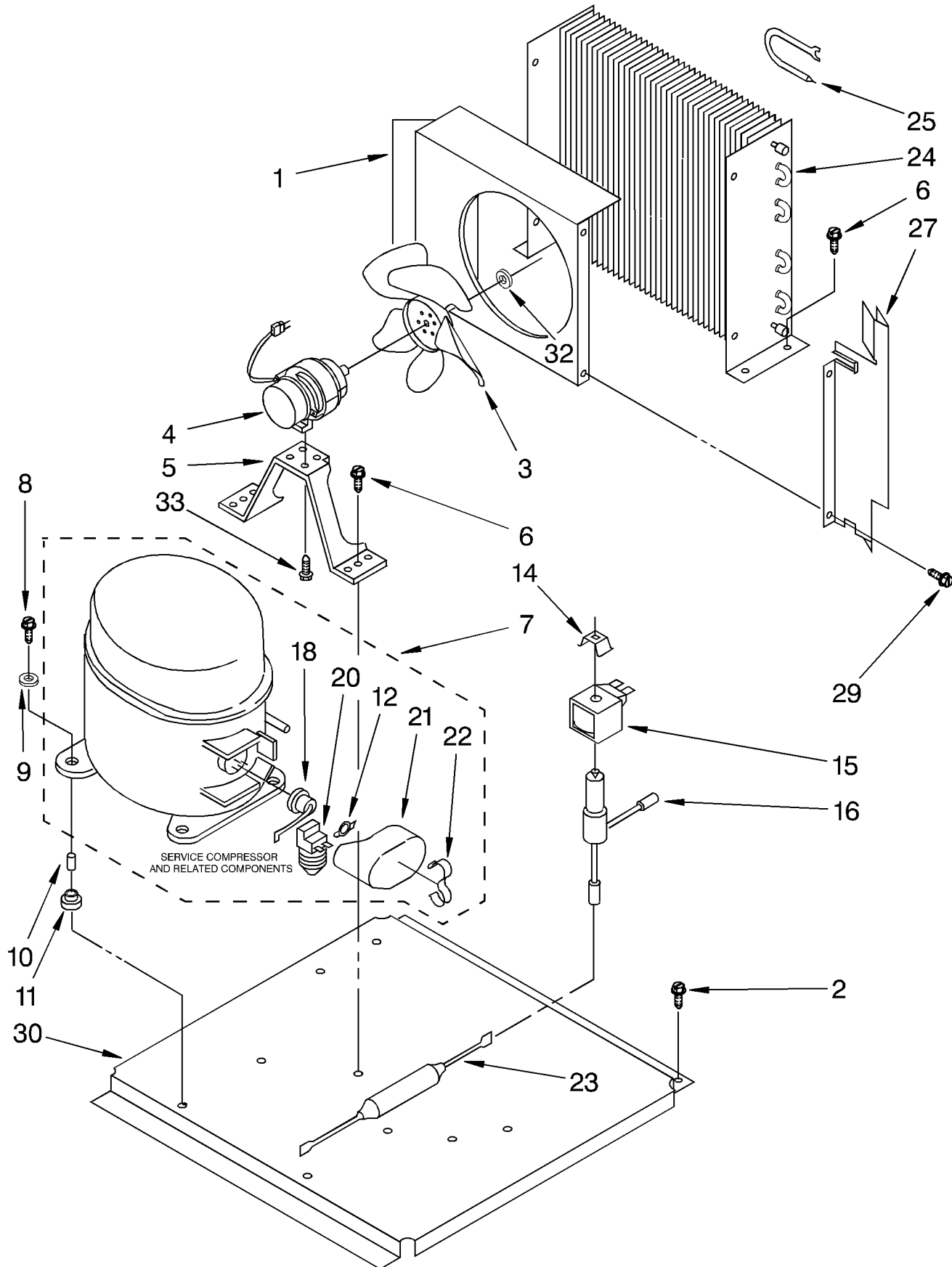


2	756124	Cover, Plug
3	681391	Screw, 8-18 x 3/4
4	583155	Housing, Motor
5	587096	Blade, Fan
6	1127834	Motor, Pump
7	583424	Washer
8	756122	Bracket, Pump
9	596016	Grommet (2)
10	593229	Sleeve
11	681390	Screw, 8-32 x 3/8
12	756782	Pump, Water (Complete)
13	583518	Pump
14	583426	Impeller (Includes Retaining Ring 15)
15	681301	Ring, Retainer

2	2165483	Transformer
3	2165530	Escutcheon, Panel
4	2172893	Switch, Service
5	2172846	Bracket, Control
7	595005	Screw, 8-32 x 1/4
8	2175663	Decal, Control Panel
9	2175661	Escutcheon
10	2175662	Decal, Escutcheon
11	2157321	Thermostat, Evaporator
12	2165478	Thermostat, Bin Control
13	681245	Washer
14	487909	Screw #8 x 1/2
15	681036	Screw
19	758567	Harness, Grid
20	2175664	Knob
21	759123	Latch
22	680964	Screw, 8-32 x 1/2

UNIT PARTS

For Model: KUIS185DWH0



1	757955	Shroud
2	680811	Screw
3	572728	Blade, Fan
4	1108089	Motor, Fan
5	560817	Bracket
6	681305	Screw, 1/4-20 x 1/2 (6)
7	758593	Compressor
8	680233	Screw (4)
9	595230	Washer (4)
10	585564	Sleeve (4)
11	596355	Grommet (4)
12		Spring, Overload
	549086	Service
14	564234	Clamp, Coil Retainer
15	587970	Coil, Solenoid
16	598086	Valve, Body
18		Overload
	758638	Production
	589231	Service
20		Relay, Start
	758637	Production
	549337	Service
21		Cover, Terminal
	1108115	Production
	549336	Service
22		Retainer, Cover
	938384	Production
	549342	Service
23	755649	Drier
24	756299	Condenser
25	756298	Accumulator
27	758811	Deflector, Front
29	681167	Screw, 8 x 3/8
30	758810	Base, Unit
32	681650	Conical Washer 1/4-20 Hex
33	489199	Screw

REFRIGERANT CHARGE 7.0 OZ.

Free Manuals Download Website

<http://myh66.com>

<http://usermanuals.us>

<http://www.somanuals.com>

<http://www.4manuals.cc>

<http://www.manual-lib.com>

<http://www.404manual.com>

<http://www.luxmanual.com>

<http://aubethermostatmanual.com>

Golf course search by state

<http://golfingnear.com>

Email search by domain

<http://emailbydomain.com>

Auto manuals search

<http://auto.somanuals.com>

TV manuals search

<http://tv.somanuals.com>