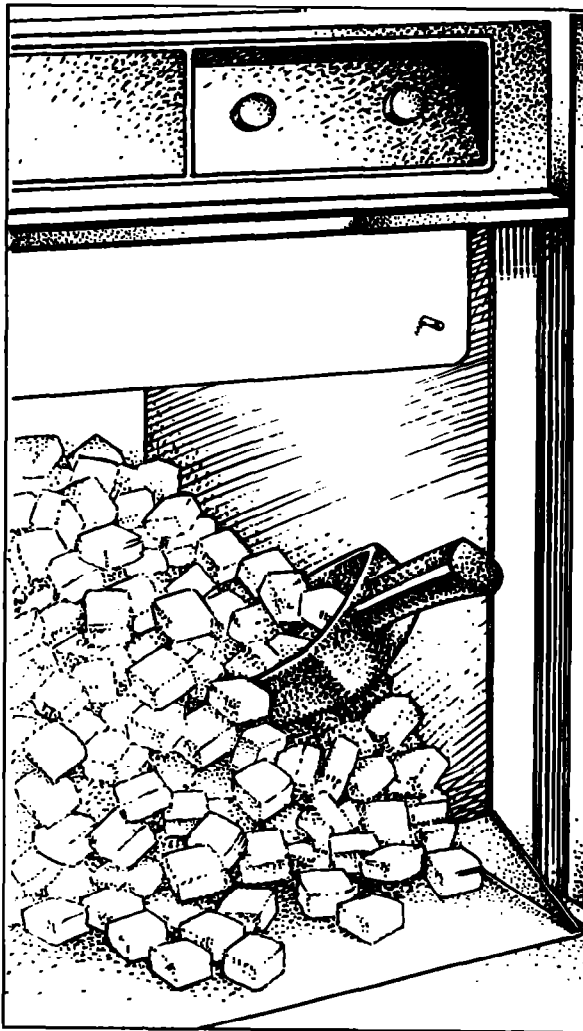


# Installation Instructions



## **KitchenAid®** FOR THE WAY IT'S MADE.™

### **Changing the Bin Door and Lower Panels ..... 2**

- Thermostat  
calibrations ..... 3
- Shipboard operation ..... 3

### **General Information ..... 4**

- Unpack ..... 4
- Utilities ..... 4
- Locate unit ..... 5
- Level unit ..... 5

### **For the Plumber ..... 6**

- Connect to water ..... 6
- Connect to drain ..... 7
- Connect drain pump .... 7

### **For the Electrician ..... 8**

- Electrical requirements .. 8
- Grounding method ..... 8

### **Operating Instructions ..... 9**

### **How the Ice Maker Works ..... 10**

### **Things to Remember ..... 10**

### **Unit Wiring Diagrams ..... 11**

### **Check Operation ..... 11**

**1-800-422-1230**

Call our Consumer Assistance Center  
with questions or comments.

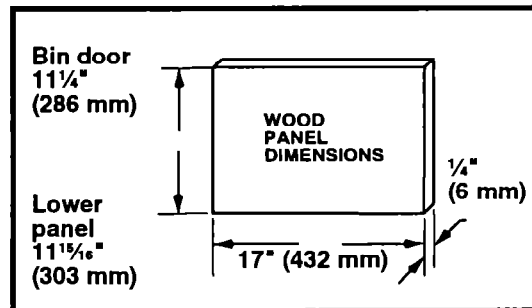
**KITCHENAID® Automatic Ice Maker**  
**Model: KUIS185**

# Changing the Bin Door and Lower Panels

The storage bin door is designed to accept an optional decorative wood panel of your choice. The wood panel should be no more than ¼ inch (6 mm) thick. Cut it to the same size as the production metal panel.

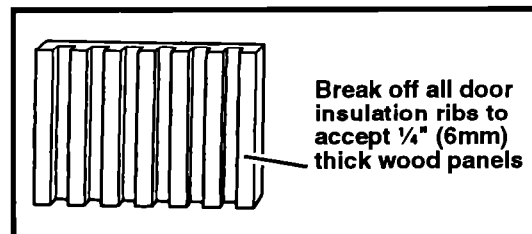
## To change the bin door panel:

1. Open the bin door.
2. Remove the two screws on top of the door that secure the handle.
3. Remove the handle and handle insert.
4. Slide the metal panel out.
5. Break off all door insulation ribs to allow room for the wood panel's thickness.
6. Slide the wood panel into the door frame.
7. Replace the handle and screws.



## To change the lower panel:

1. Remove the three screws that hold the lower panel assembly to the ice maker.
2. Remove the two screws on the top of the panel assembly.
3. Slide the metal panels and spacers out.
4. Slide the wood panel into the door frame.
5. Replace the top of the panel assembly.



**NOTE:** Make sure the galvanized panel is replaced in back of the panel assembly.

---

### Thermostat calibrations

If ice maker is installed more than 2,000 feet (600 m) above sea level, the Bin and Ice Thickness Thermostats must be adjusted to a warmer setting. Disconnect electricity,

remove thermostat, and follow the directions for turning the altitude adjustment screw as shown in the label on each thermostat.

---

### Shipboard operation

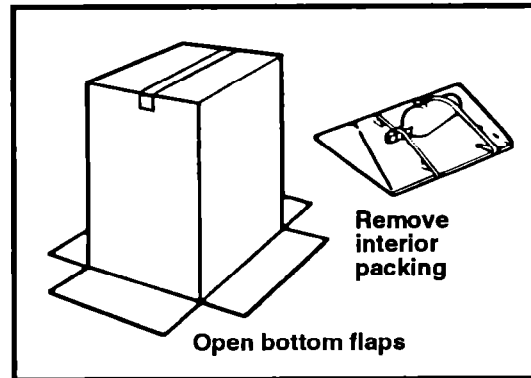
When this ice maker is installed aboard a ship, it may be necessary to purchase and install a water deflector. The deflector hangs between the lower edge of the evaporator

and the cutter grid. It keeps the water flowing over the evaporator from spilling into the storage bin area. Order the necessary parts from your local ice maker dealer.

# General Information

## Unpack

1. Lay carton on rear face and break open bottom flaps.
2. Set carton upright with all four flaps outward.
3. Lift carton up and off of machine.
4. Remove all tape and packaging materials from the outside and inside of the cabinet.
5. Remove the lower access panel by removing the two screws securing the grille at the bottom and the one screw at the top, and lift it free of cabinet.
6. Turn the fan by hand to make certain it moves freely.
7. Loosen thumb screws holding cutter grid and water pan to "thumb tight."
8. Replace the lower access panel and the screws.



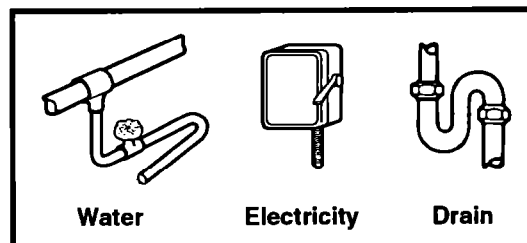
---

## Utilities

(observe local codes)

Each installation is unique but will require:

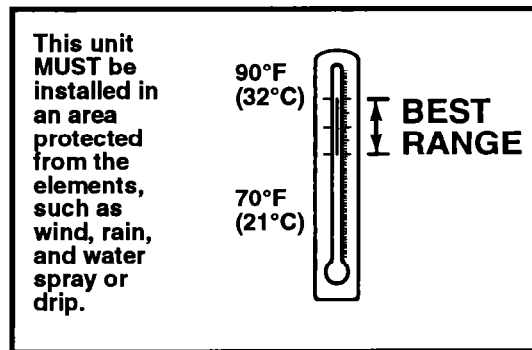
1. A cold water inlet of ¼" (6 mm) OD soft copper tubing and a shut-off valve.
2. A properly grounded 115 Volt, 60 Hz., AC only, 15 or 20 ampere electrical circuit, installed in accordance with the National Electrical Code and with local codes and ordinances.
3. Either a gravity drain system or a sump pump to lift the water to an existing drain.



---

## Locate unit

1. Place unit so the front side will be completely unobstructed to provide proper airflow.
2. Area should be well ventilated with temperature above 55°F (13°C) and below 110°F (43°C). Best results are obtained between 70°F (21°C) and 90°F (32°C).
3. Provisions for electricity, water, and drain connections should be determined.
4. The unit may be closed in on the top and three sides, but the front **MUST BE** unobstructed for air circulation and proper operation. Installation should be such that the cabinet can be moved forward for servicing, if necessary.



---

## Level unit

1. After placing unit in position, check to make certain the unit is level side-to-side and front-to-back.
2. Accurate leveling is essential for proper operation.
3. Unit should be shimmed so that it is solid as well as level. The shims should be of hard permanent type material such as Masonite.
4. If you are installing this ice maker in a commercial setting that requires National Sanitation Foundation (NSF) installation procedures, NSF requires that the ice maker be sealed to the floor at the bottom rail. For compliance with this NSF sealing procedure, we recommend a silicone-type sealer.

# For the Plumber

## Connect to water

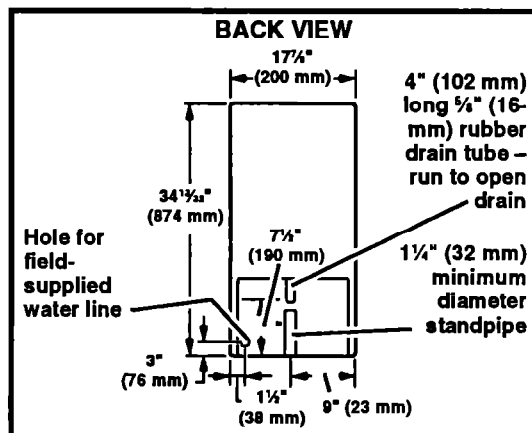
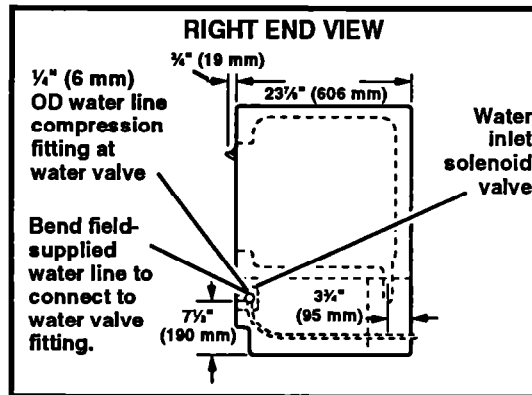
(observe local codes)

1. Use  $\frac{1}{4}$ " (6 mm) OD soft copper tubing for the cold water supply.
2. Provide a convenient manual shut-off valve in the water line.
3. Position the tubing so it can enter the access hole located in the right hand rear of the cabinet. The tubing should extend beyond the cabinet front when the cabinet is pushed back into position.

### NOTES:

Always purge the water line before making the final connection to the inlet of the water valve to prevent possible water valve malfunction.

After the cabinet is in place, bend the tubing to meet the connection at the water valve. The garden hose threaded compression fitting is found in the parts bag. This joint provides a convenient disconnect for service. Be sure the tubing is clear of compressor to prevent rattle.



---

## Connect to drain

(observe local codes)

1. The unit is provided with a gravity drain.
2. The ideal installation has a standpipe (1¼" [32 mm] minimum) installed directly below the outlet of the drain tube. Refer to figures for the proper location of the standpipe.
3. It may be desirable to insulate drain line thoroughly up to drain inlet.

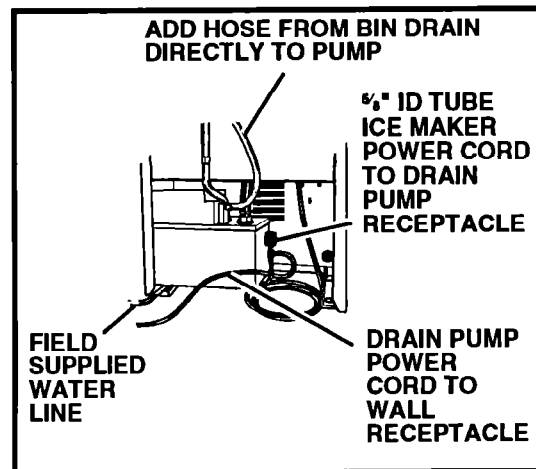
---

## Connect drain pump

When drain connection below the level of the unit is not available, a drain pump may be used to lift the water to an available drain.

1. Install drain pump in rear compartment area. Run bin drain directly into pump as shown. Attach pump in level position.
2. Plug power cord of ice maker into receptacle on drain pump.
3. Plug power cord of drain pump into wall receptacle.

**NOTE:** Your ice maker may or may not include a DRAIN PUMP. If your ice maker model does not include a DRAIN PUMP, one can be ordered from your dealer.



# For the Electrician

## Electrical requirements

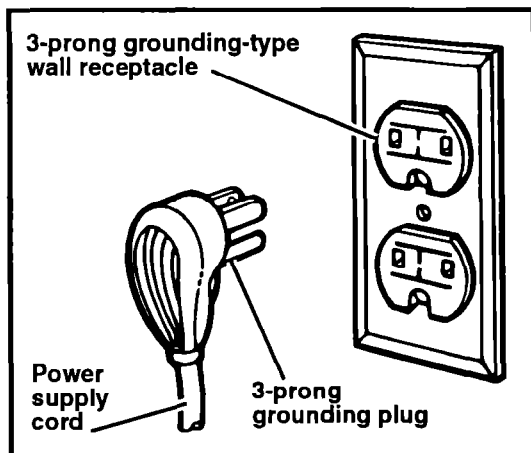
A 115 Volt, 60 Hz., AC only, 15 or 20 ampere electrical supply circuit, properly grounded in accordance with the National Electrical Code and local codes and ordinances is required.

It is recommended that a separate circuit, serving only this appliance, be provided. Use a receptacle which cannot be turned off with a switch or pull chain. **DO NOT** use an extension cord.

## Grounding method

**DO NOT, UNDER ANY CIRCUMSTANCES, REMOVE THE POWER SUPPLY CORD GROUND PRONG.**

For your personal safety, this appliance must be grounded. This appliance is equipped with a power supply cord which has a 3-prong grounding plug. To minimize possible shock hazard, the cord must be plugged into a mating 3-prong grounding type wall receptacle, grounded in accordance with the National Electrical Code and local codes and ordinances. If a mating wall receptacle is not available, it is the personal responsibility and obligation of the customer to have a properly grounded 3-prong wall receptacle installed by a qualified electrician.



### **⚠ WARNING**

#### **Electrical Shock Hazard**

- **Electrical ground is required on this appliance.**
- **Do Not ground to a gas pipe.**
- **Do Not modify the power supply cord plug. If it does not fit the outlet, have a proper outlet installed by a qualified electrician.**
- **Do Not have a fuse in the neutral or grounding circuit. A fuse in the neutral or grounding circuit could result in an electrical shock.**
- **Do Not use an extension cord with this appliance.**
- **Check with a qualified electrician if you are in doubt as to whether the appliance is properly grounded.**

Failure to follow these instructions could result in death, electrical shock, or serious injury.



# Operating Instructions

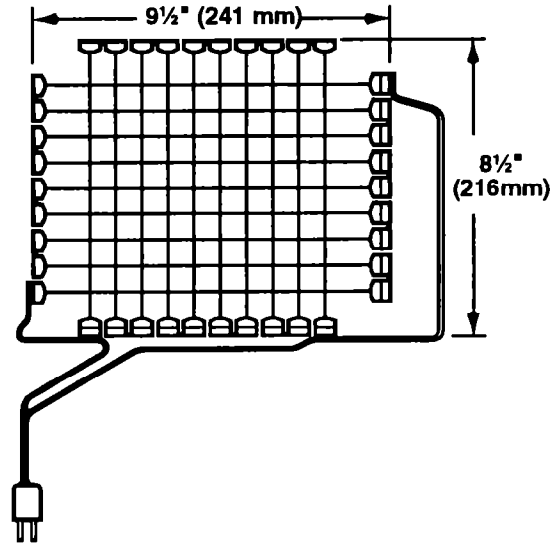
- For complete operation information, refer to the Use and Care Guide.
- Before starting, wash out interior of cabinet with a Baking Soda solution (2 tablespoons [26 grams] soda to 1 quart [1 liter] of warm water). Rinse thoroughly.
- Make certain the water is turned on.
- Turn switch to the "ON" position.

**IMPORTANT:** Allow unit to run for 3 hours before expecting ice and for 24 hours before trying to set the thickness control.

If installed more than 2,000 feet (600 m) above sea level, see page 3 for thermostat adjustments.

## CUTTER GRID

$\frac{3}{4}$ " x  $\frac{3}{4}$ " (19 mm x 19 mm)



# How the Ice Maker Works

- Compressor runs
- Condenser fan runs
- Water pump runs (circulates water)
- Cutter grid is warm to touch

**WHEN THE DESIRED ICE SLAB THICKNESS IS REACHED, THE HARVEST CYCLE BEGINS AND THE FOLLOWING HAPPENS:**

- Evaporator thermostat is satisfied
- Compressor keeps running
- Condenser fan stops or turns very slowly
- Water pump stops
- Hot gas solenoid opens

- Water inlet valve opens
- Excess water is flushed out of the drain pan
- Cutter grid is warm to the touch

**NOTE:** Normal harvest cycle takes 1 to 2 minutes.

**MACHINE RESUMES FREEZING AFTER SLAB IS RELEASED FROM EVAPORATOR AND THE CUTTING PROCESS BEGINS.**

**WHEN THE STORAGE BIN IS FILLED, BIN THERMOSTAT OPENS.**

- Cutter grid remains on

## Things to Remember

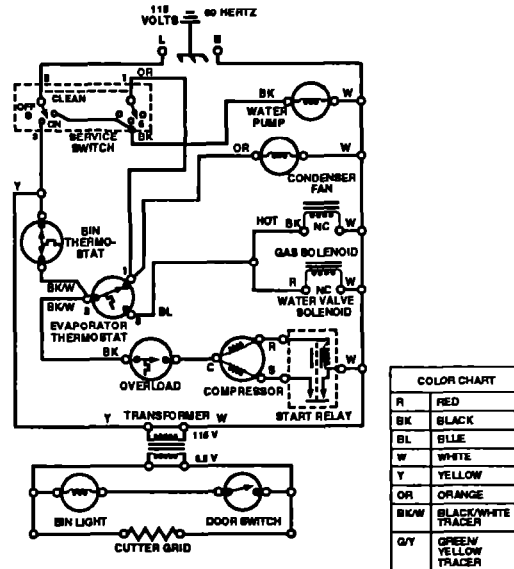
- Water enters only during the defrost cycle. Therefore the first cycle will be completed without water in the system.
- As the room and water temperatures vary, so will the amount of ice produced. This means that higher operating temperatures will result in reduced ice production.
- The unit will shut off when ice in the storage bin touches the bin thermostat well and will automatically cycle to keep the bin full.
- The storage bin is not refrigerated and some melting will occur. This also varies with the room temperature.
- The unit needs good air circulation to perform efficiently. Keep the front grille and the condenser clean.
- The water system, including filter screen in the water inlet solenoid valve, needs to be cleaned periodically for good circulation. Instructions are located on the inner door panel.

# Unit Wiring Diagrams

This model operates at 115 volts except for the cutter grid circuit which operates at 8.5 volts at 1 amp.

The compressor runs at all times except when the Bin Thermostat becomes satisfied and opens the circuit. This de-energizes the system except for the transformer and cutter grid.

Under normal operating conditions, when the evaporator reaches the preset temperature (+10° to -3°F [-12° to -19°C], depending on thickness of ice) the evaporator thermostat opens, terminating operation of the fan motor and pump motor. The hot gas solenoid and the water valve solenoid are energized at this time and remain so until the evaporator reaches 38° + 2°F (3° + 1°C).

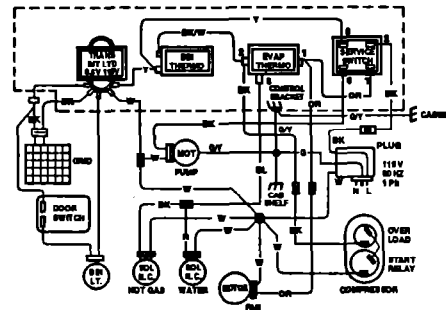


**⚠ WARNING**

**Electrical Shock Hazard**

Disconnect power before servicing unit.  
Failure to do so could result in electrical shock.

NOTE: Maximum fuse size: 15 amps.



## Check Operation

- ✓ Start the unit by turning the service switch to "ON" and opening the line water valve.
- ✓ NOTE: Left is "OFF" – Middle is "ON" – Right is "CLEAN." In "CLEAN" position, only the pump operates.
- ✓ Check condenser fan to make sure it is revolving. Check for airflow. Do not insert hand into fan area.
- ✓ Water will not enter pump pan until freezing plate gets cold and machine goes into a harvest cycle.
- ✓ Check for even water flow over freezing plate. Unit must be level for proper operation.
- ✓ Check for desired cube thickness and after 24 hours adjust if necessary. Maximum ice yield will be obtained with ice thickness at 1/2" (13 mm) to 5/8" (16 mm).
- ✓ Replace grille.

**Part No. 2175675**  
© 1994 KitchenAid

® Registered Trademark / TM Trademark of KitchenAid.

Printed in U.S.A.

## Free Manuals Download Website

<http://myh66.com>

<http://usermanuals.us>

<http://www.somanuals.com>

<http://www.4manuals.cc>

<http://www.manual-lib.com>

<http://www.404manual.com>

<http://www.luxmanual.com>

<http://aubethermostatmanual.com>

Golf course search by state

<http://golfingnear.com>

Email search by domain

<http://emailbydomain.com>

Auto manuals search

<http://auto.somanuals.com>

TV manuals search

<http://tv.somanuals.com>