

KitchenAid®

OUTDOOR ICE MAKER

Use & Care Guide

For questions about features, operation/performance, parts accessories or service, call: **1-800-422-1230**
In Canada, call for assistance **1-800-461-5681**, for installation and service, call: **1-800-807-6777** or visit our website at...
www.kitchenaid.com or www.KitchenAid.ca

MACHINE À GLAÇONS D'EXTÉRIEUR

Guide d'utilisation et d'entretien

Au Canada, pour assistance composez le **1-800-461-5681**, pour installation ou service composez le **1-800-807-6777** ou visitez notre site web à...
www.KitchenAid.ca

Table of Contents/Table des matières..... 2



TABLE OF CONTENTS

| | |
|--|-----------|
| TABLE DES MATIÈRES | 2 |
| ICE MAKER SAFETY | 3 |
| INSTALLATION INSTRUCTIONS | 3 |
| Unpacking | 3 |
| Location Requirements | 3 |
| Electrical Requirements | 4 |
| Leveling | 4 |
| Water Supply Connection | 5 |
| Normal Sounds | 6 |
| ICE MAKER USE | 6 |
| Using the Controls | 6 |
| ICE MAKER CARE | 6 |
| Cleaning | 6 |
| Vacation and Moving Care | 8 |
| Winterizing | 8 |
| TROUBLESHOOTING | 8 |
| ASSISTANCE OR SERVICE | 9 |
| In the U.S.A. | 9 |
| In Canada | 9 |
| Accessories | 9 |
| WARRANTY | 10 |

TABLE DES MATIÈRES

| | |
|---|-----------|
| SÉCURITÉ DE LA MACHINE À GLAÇONS | 11 |
| INSTRUCTIONS D'INSTALLATION | 11 |
| Déballage | 11 |
| Emplacement d'installation | 12 |
| Spécifications électriques | 12 |
| Nivellement | 13 |
| Raccordement à l'alimentation en eau | 13 |
| Sons normaux | 14 |
| UTILISATION DE LA MACHINE À GLAÇONS | 14 |
| Utilisation des commandes | 14 |
| ENTRETIEN DE LA MACHINE À GLAÇONS | 15 |
| Nettoyage | 15 |
| Précautions à prendre pour les vacances et avant un déménagement | 17 |
| Préparation pour l'hiver | 17 |
| DÉPANNAGE | 17 |
| ASSISTANCE OU SERVICE | 18 |
| Aux États-Unis | 18 |
| Au Canada | 18 |
| Accessoires | 18 |
| GARANTIE | 19 |

ICE MAKER SAFETY

Your safety and the safety of others are very important.

We have provided many important safety messages in this manual and on your appliance. Always read and obey all safety messages.



This is the safety alert symbol.

This symbol alerts you to potential hazards that can kill or hurt you and others.

All safety messages will follow the safety alert symbol and either the word "DANGER" or "WARNING."

These words mean:

⚠ DANGER

You can be killed or seriously injured if you don't immediately follow instructions.

⚠ WARNING

You can be killed or seriously injured if you don't follow instructions.

All safety messages will tell you what the potential hazard is, tell you how to reduce the chance of injury, and tell you what can happen if the instructions are not followed.

IMPORTANT SAFETY INSTRUCTIONS

WARNING: To reduce the risk of fire, electric shock, or injury when using your ice maker, follow these basic precautions:

- Plug into a grounded 3 prong outlet.
- Do not remove ground prong.
- Do not use an adapter.
- Do not use an extension cord.
- Disconnect power before cleaning.
- Disconnect power before servicing.
- Replace all panels before operating.
- Use two or more people to move and install ice maker.

SAVE THESE INSTRUCTIONS

INSTALLATION INSTRUCTIONS

Unpacking

⚠ WARNING

Excessive Weight Hazard

Use two or more people to move and install ice maker.

Failure to do so can result in back or other injury.

Removing packaging materials

Before using, remove tape and glue from your ice maker. This includes the tape holding the door closed. Remove the accessory bag from the ice storage bin.

The ice maker is covered with a protective film. Completely remove the film before installing the ice maker.

- To remove any remaining tape or glue, rub the area briskly with your thumb. Tape or glue residue can also be easily removed by rubbing a small amount of liquid dish soap over the adhesive with your fingers. Wipe with warm water and dry.

- Do not use sharp instruments, rubbing alcohol, flammable fluids, or abrasive cleaners to remove tape or glue. These products can damage the surface of your ice maker.

Cleaning before use

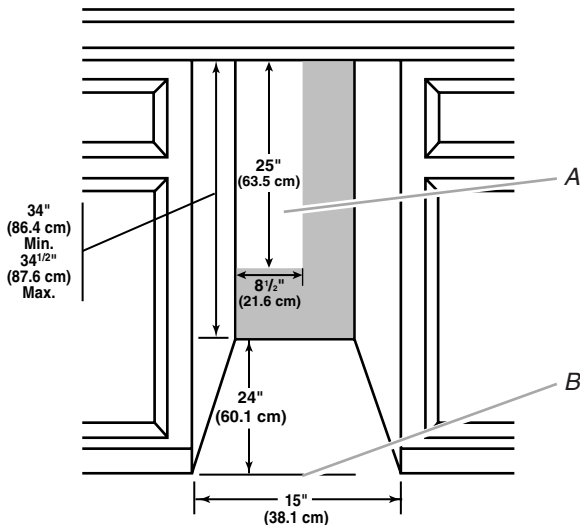
After you remove all of the packaging materials, clean the inside of your ice maker before using it. See the cleaning instructions in the "Ice Maker Care" section.

Location Requirements

- To ensure proper ventilation for your ice maker, the front side must have at least 15" (38.1 cm) of clearance. The unit may be closed-in on the top and three sides, but the installation should allow the ice maker to be pulled forward for servicing if necessary.
- Installation of the ice maker requires a cold water supply inlet of 1/4" (6.35 mm) OD soft copper tubing with a shutoff valve and either a gravity-drain system or condensate pump to carry the water to an existing drain.

- Choose a well ventilated area with temperatures above 45°F (7°C) and below 100°F (38°C). Best results are obtained between 70°F (21°C) and 90°F (32°C). It is recommended that the unit be installed in an area protected from the elements, such as wind, rain, water spray, or drip.
- When installing the ice maker under a counter, follow the recommended opening dimensions shown. Place electrical and plumbing fixtures in the recommended location as shown.

NOTE: Do not kink or pinch the power supply cord between the ice maker and cabinet.



A. Recommended Location for Electrical and Plumbing Fixtures
B. Floor Level

- You should choose a location where the floor is even. It is important for the ice maker to be level in order to work properly. If needed, you can adjust the height of the ice maker by changing the height of the front and rear leveling legs. See "Leveling."
- For better performance and higher energy efficiency, do not operate in direct sunlight.

A 115 Volt, 60 Hz., AC only 15 ampere electrical supply, properly grounded in accordance with the National Electrical Code and local codes and ordinances, is required.

It is recommended that a separate circuit, serving only your ice maker, be provided. Use a receptacle which cannot be turned off by a switch or pull chain.

Recommended grounding method

For your personal safety, this appliance must be grounded. This appliance is equipped with a power supply cord having a 3 prong grounding plug. To minimize possible shock hazard, the cord must be plugged into a mating, 3 prong, grounding-type wall receptacle, grounded in accordance with the National Electrical Code and local codes and ordinances. If a mating wall receptacle is not available, it is the personal responsibility of the customer to have a properly grounded, 3 prong wall receptacle installed by a qualified electrician.

Leveling

It is important for the ice maker to be level in order to work properly. Depending upon where you install the ice maker, you may need to make several adjustments to level it.

Tools required

- Carpenter's level

To adjust the leveling legs

Your ice maker has four adjustable leveling legs to help you steady the product and make sure it is level.

NOTE: It is easier to adjust the leveling legs if you have another person to assist you.

1. Place a carpenter's level on top of the product to see whether the ice maker is level from front to back and side to side.
2. Push up on the top front of the ice maker, and then locate the leveling legs that are on the bottom of the product.
3. Change the height of the legs as follows:
 - Turn the leveling legs to the right to lower that side of the ice maker.
 - Turn the leveling legs to the left to raise that side of the ice maker.

NOTE: The ice maker should not wobble. Use shims to add stability when needed.

Electrical Requirements

⚠ WARNING



Electrical Shock Hazard

Plug into a grounded 3 prong outlet.

Do not remove ground prong.

Do not use an adapter.

Do not use an extension cord.

Failure to follow these instructions can result in death, fire, or electrical shock.



4. Use a carpenter's level to make sure the ice maker is level from front to back and side to side. If the ice maker is not level, repeat Steps 2 and 3. If the ice maker is level, go to the "Water Supply Connection" section.

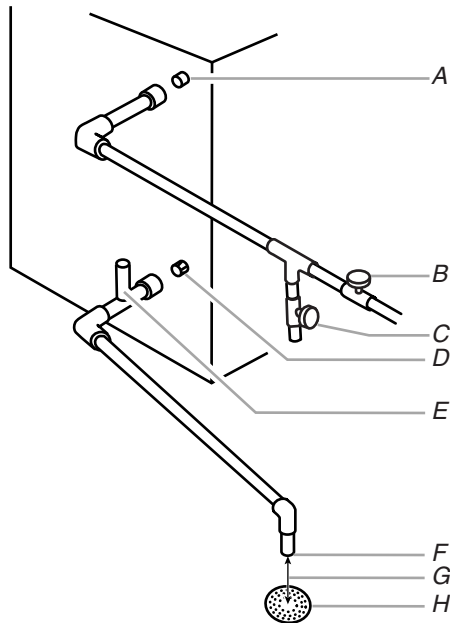
Water Supply Connection

IMPORTANT:

- Plumbing shall be installed in accordance with the International Plumbing Code and any local codes and ordinances.
- Use copper tubing and check for leaks.
- Install copper tubing only in areas where temperatures will remain above freezing.
- Close the shutoff valve when the water temperature is below freezing to avoid damage to the tubing.
- Do not operate ice maker when the water supply is off.

Connecting the water

Connect the ice maker to the water supply using the 1/2" (1.3 cm) water inlet on the rear of the ice maker. Be sure to use a potable water supply. The water supply line must have a shutoff valve and a bin drain outlet installed.



- | | |
|-----------------------|----------------------|
| A. Water supply inlet | E. Vent |
| B. Shutoff valve | F. Drain tube outlet |
| C. Drain valve | G. 2" Air gap |
| D. Bin drain outlet | H. Floor Drain |

Connecting the drain

Gravity drain system

Connect the ice maker drain to your drain in accordance with the International Plumbing Code and any local codes and ordinances. The ice maker is provided with a gravity drain system, follow these guidelines when installing drain lines. This will prevent water from flowing back into the ice maker storage bin and potentially flowing onto the floor causing water damage.

- Drain lines must have a minimum of 5/8" (15.88 mm) inside diameter.
- Drain lines must have a 1" drop per 48" (2.54 cm drop per 122 cm) of run or 1/4" drop per 12" (6.35 mm per 30.48 cm) and must not have low points where water can settle.
- The floor drains must be large enough to accommodate drainage from all drains.
- You must maintain a 2" (5.08 cm) air gap between the drain tube outlet and the floor drain.

After ensuring that the drain system is adequate, follow these steps to properly place the ice maker:

1. Plug in ice maker or reconnect power.
2. Recheck the ice maker to be sure that it is level. See "Leveling."
3. Push the ice maker into position so that the ice maker drain tube outlet is positioned over the floor drain.
4. If it is required by your local sanitation code, seal the cabinet to the floor with an approved caulking compound after all water and electrical connections have been made.

Normal Sounds

Your new ice maker may make sounds that are not familiar to you. Because the sounds are new to you, you might be concerned about them. Most of the new sounds are normal. Hard surfaces, such as the floor, walls and cabinets, can make the sounds seem louder than they actually are. The following describes the kinds of sounds that might be new to you and what may be making them.

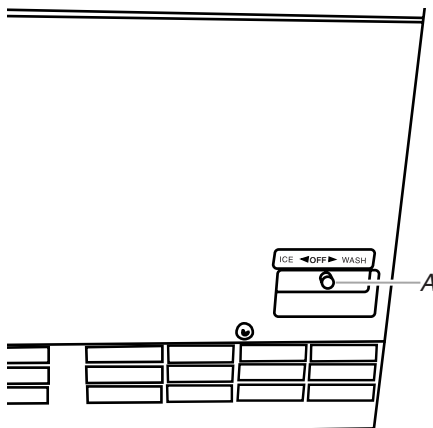
- When you first start the ice maker, you may hear water running. The ice maker is programmed to fill the water reservoir before it begins to make ice.
- You will hear a buzzing sound when the water valve opens to fill the water reservoir for each cycle.
- Rattling noises may come from the flow of the refrigerant or the water line. Items stored on top of the ice maker can also make noises.
- The high-efficiency compressor may make a pulsating or high pitched sound.
- Water running over the evaporator plate may make a splashing sound.
- Water running from the evaporator plate to the water reservoir may make a splashing sound.
- As each cycle ends, you may hear a gurgling sound due to the refrigerant flowing in your ice maker.
- You may hear air being forced over the condenser by the condenser fan.
- During the harvest cycle you may hear low popping sounds as the ice drops into the bin.

ICE MAKER USE

Using the Controls

The ice maker control is located on the bottom of the ice maker just above the base grille. You must open the ice maker door to access the control.

1. To start ice production, move the switch to ICE. Depending on the air and water temperature, the ice maker will produce the first batch of ice in less than 1 hour.
2. To stop ice maker operation, move the switch to OFF.



A. Control switch

NOTE: The WASH setting is used whenever solutions are circulated through the ice maker for cleaning. Only the water pump, water valve and fan motor are operating at this setting. See "Cleaning."

ICE MAKER CARE

Cleaning

The ice making system and the air cooled condenser need to be cleaned regularly for the ice maker to operate at peak efficiency and to prevent failure of system components. See "Ice Maker System" and "Condenser."

Exterior Surfaces

Wash stainless steel exteriors with a clean sponge or soft cloth and a mild detergent in warm water. Do not use abrasive or harsh cleaners. Dry thoroughly with a soft cloth.

NOTE: To keep your Stainless Steel ice maker looking like new and to remove minor scuffs or marks, it is suggested that you use the manufacturer's approved Stainless Steel Cleaner & Polish.

IMPORTANT: This cleaner is for Stainless Steel parts only!

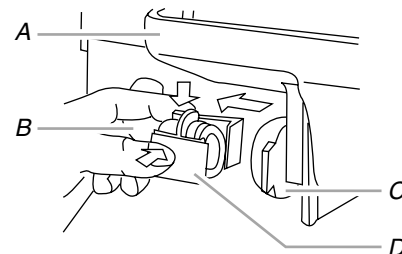
Do not allow the Stainless Steel Cleaner & Polish to come into contact with any plastic parts such as the trim pieces, dispenser covers or door gaskets. If accidental contact does occur, clean plastic part with a sponge and mild detergent in warm water. Dry thoroughly with a soft cloth. To order the cleaner, see "Accessories."

Ice Maker System

Minerals that are removed from water during the freezing cycle will eventually form a hard scaly deposit in the water system. Cleaning the system regularly helps remove the mineral scale buildup. How often you need to clean the system depends upon how hard your water is. With hard water of 15 to 20 grains/gal. (4 to 5 grains/liter), you may need to clean the system as often as every 6 months.

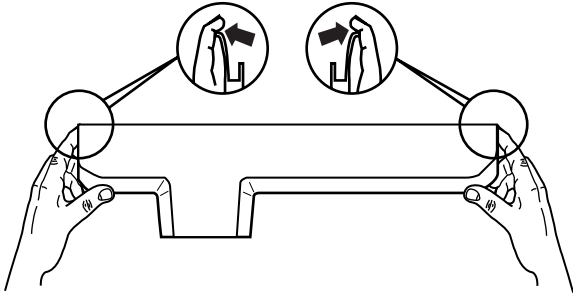
NOTE: Use 4 oz (148 mL) of Outdoor Ice Maker Cleaner (part #4396736) mixed with 1 gal (3.78 L) of warm (90°F – 95°F [32°C – 35°C]) water to remove scaly deposit.

1. Move the control switch to the OFF position.
2. To remove the cubes that remain on the evaporator, turn the ice machine on for approximately 3 minutes. The harvest cycle will drop the cubes into the bin.
3. Move the switch to the OFF position.
4. Close the water supply line shutoff valve.
5. Remove the ice from the bin.
6. Disconnect the suction tube from the water tank. Squeeze both plastic tabs to release the joint and pull the pipe clear.



A. Water Tank
B. Suction Tube
C. Drain
D. Joint

- Remove the water tank and drain the water. To remove the tank, spread the tabs on both sides to unlock and pull the tank toward you.



- Replace the water tank.
- Slowly pour the diluted cleaning solution into the water tank.
- Move the control switch to WASH.
- Allow the ice maker to wash for approximately 30 minutes.
- After the ice maker has washed, move the control switch to the OFF position.
- Remove the water tank and drain the cleaning solution.
- Replace the water tank, and open the shutoff valve.
- Move the control switch to WASH and allow to wash another 5 minutes to circulate clean water.
- After 5 minutes, move the control switch to the OFF position, then immediately move it to WASH and circulate clean water for another 5 minutes. Repeat this procedure 2 times.

Sanitizing

After you have cleaned the water system, you should sanitize it as well.

To sanitize the water system:

- Make sure that the ice maker control switch is OFF and close the water supply shutoff valve.
- Remove the water tank and drain the water.
- Replace the water tank.
- Dilute 1 tbs. (15 mL) of household bleach with 1 gal. (3.8 L) of water.
- Slowly pour the sanitizing solution into the water tank.
- Move the control switch to WASH and allow the ice maker to wash for 15 minutes.
- Move the control switch to the OFF position, remove the water tank and drain the sanitizing solution. Replace the water tank.
- Open the shutoff valve and turn the control switch to WASH.
- Allow the ice maker to rinse for 5 minutes. Move the control switch to OFF, then immediately move it back to WASH. Repeat this procedure 2 times to completely rinse the machine.
- Move the control switch to ICE to restart ice making.

Condenser

A dirty or clogged condenser:

- Prevents proper airflow.
- Reduces ice making capacity.

- Causes higher than recommended operating temperatures which may lead to component failure.

⚠ WARNING



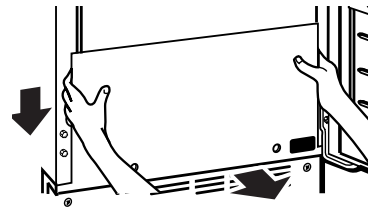
Electrical Shock Hazard

Disconnect power before cleaning.

Replace all panels before operating.

Failure to do so can result in death or electrical shock.

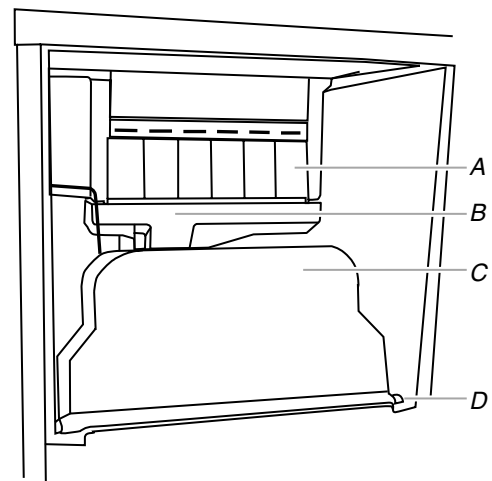
- Unplug ice maker or disconnect power.
- Using a Phillips screwdriver, remove the two screws in the lower access panel and the two screws from the base grille area of the front panel support.
- Pull out on the base grille then pull down on the panel to remove.



- Remove dirt and lint from the condenser fins and the unit compartment with a brush attachment on a vacuum cleaner.
- Replace the lower access panel using the two screws.
- Plug in ice maker or reconnect power.

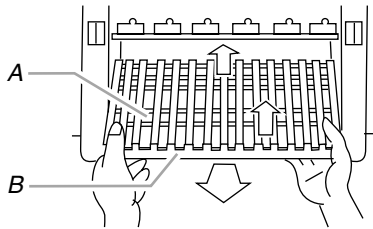
Interior Components

- Unplug ice maker or disconnect power.
- Open the storage bin door and remove any ice that is in the bin.



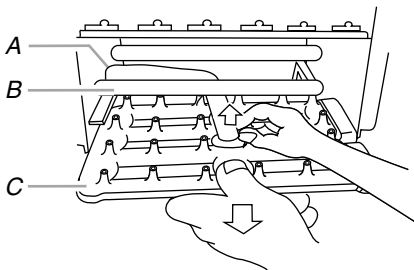
- A. Separators
- B. Water Tank
- C. Slope
- D. Shaft

3. Remove the slope by bending it in the center and releasing it from the shafts.
4. Remove the water tank, and drain the water.
5. Remove the separators by lifting each separator up and pushing back.
6. Lift off the ice chute from the rear and front frames.



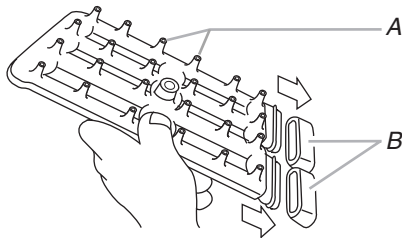
A. Frame Pipe
B. Ice Chute

7. Below the ice chute is the spray assembly. Pull the discharge tube from the spray assembly and pull the assembly toward you.



A. Discharge tube
B. Frame pipe
C. Spray assembly

8. Remove the two caps from the side of the spray assembly.



A. Spray Nozzles
B. Caps

9. Wash the interior components with mild soap or detergent and warm water. Rinse in clean water. Then clean the same parts with a solution of 1 tbs. (15 mL) of household bleach in 1 gal. (3.8 L) of warm water. Rinse again thoroughly in warm water. If the nozzles on the spray assembly are clogged, clean them with a wire brush.
10. Clean the scoop and inside of the ice bin.
11. Replace the caps on the spray assembly and slide it back into place. Reattach the discharge tube.
12. Slide in the ice chute until it clicks into place.
13. Replace the water tank, separators and slope.
14. Plug in ice maker or reconnect power.

Vacation and Moving Care

To shut down the ice maker:

1. Unplug ice maker or disconnect power.
2. Shut off the water supply and open the drain valve.
3. Remove all ice from storage bin.
4. Remove the water tank and drain the water.
5. After the water has drained from the ice maker, close the drain valve.
6. Before using again, clean the ice maker and storage bin.
7. Discard the first 3 batches of ice produced.

NOTE: All components of the ice maker are permanently lubricated at the factory. They should not require any additional oiling throughout the normal life of the machine.

Winterizing

The ice maker must be shut down if temperatures drop below 45°F (7°C). Additionally, if temperatures drop below 32°F (0°C) the water must be drained completely from the ice maker and all water lines to avoid damage.

1. Remove the water tank and drain the water.
2. After the water has drained from the ice maker, close the drain valve.
3. Before using again, clean the ice maker and storage bin.
4. Discard the first 3 batches of ice produced.

TROUBLESHOOTING

Try the solutions suggested here first in order to avoid the cost of an unnecessary service call.

Unit does not run

- **Is the control set to ICE?** Be sure that the control is set to ICE.
- **Is the power cord plugged in?** Plug into a grounded 3 prong outlet.
- **Has a household fuse or circuit breaker tripped?** Replace the fuse or reset the circuit.
- **Is the temperature cooler than normal?** Ambient temperature must be above 45°F (7°C). Otherwise, bin thermostat may sense cold ambient temperature and shut off even though bin is not full of ice. Also, unit may not restart once it does shut off.

Unit runs but produces no ice

- **Is the control set to ICE?** Be sure that the control is set to ICE.
- **Is the water supply connected?** Make sure the water supply is properly connected and turned on.

Unit runs but produces very little ice

- **Is the temperature hotter than normal?** Ambient temperatures of more than 100°F (37°C) will normally reduce ice production.
- **Is the condenser dirty?** Dirt or lint may be blocking the airflow through the condenser. See the "Condenser" section.

- **Is there scale buildup in the ice maker?** If there is white scale buildup in the ice maker's water or freezing system, you should clean the ice maker. See the "Ice Maker System" and the "Interior Components" sections.
- **Is there at least 15 in. (38.1 cm) clearance in front of the ice maker?** The ice maker must have at least 15 in. (38.1 cm) of clearance in the front to operate properly.
- **Is the spray tube clogged?** If the spray tube is clogged, water cannot enter the ice making mechanism. Clean the spray tube. See the "Interior Components" section.

Taste in ice cubes

- **Is there unusually high mineral content in the water supply?** The water may need to be filtered or treated.
- **Are there food items stored in the ice bin?** Do not store any foods in the ice bin.
- **Were all the packaging materials removed?** Make sure that all packaging materials were removed at the time of installation.

ASSISTANCE OR SERVICE

Before calling for assistance or service, please check "Troubleshooting." It may save you the cost of a service call. If you still need help, follow the instructions below.

When calling, please know the purchase date and the complete model and serial number of your appliance. This information will help us to better respond to your request.

If you need replacement parts

If you need to order replacement parts, we recommend that you only use factory specified replacement parts. Factory specified replacement parts will fit right and work right because they are made with the same precision used to build every new KITCHENAID® appliance.

To locate factory specified replacement parts in your area, call our Customer Interaction Center telephone number or your nearest designated service center.

In the U.S.A.

Call the KitchenAid Customer Interaction Center toll free: **1-800-422-1230**.

Our consultants provide assistance with:

- Features and specifications on our full line of appliances.
- Installation information.
- Use and maintenance procedures.
- Accessory and repair parts sales.
- Specialized customer assistance (Spanish speaking, hearing impaired, limited vision, etc.).
- Referrals to local dealers, repair parts distributors, and service companies. KitchenAid designated service technicians are trained to fulfill the product warranty and provide after-warranty service, anywhere in the United States.

To locate the KitchenAid designated service company in your area, you can also look in your telephone directory Yellow Pages.

For further assistance

If you need further assistance, you can write to KitchenAid with any questions or concerns at:

KitchenAid Brand Home Appliances
Customer Interaction Center
553 Benson Road
Benton Harbor, MI 49022-2692

Please include a daytime phone number in your correspondence.

In Canada

Call the KitchenAid Canada Customer Interaction Center toll free: **1-800-461-5681** Monday to Friday 8:00 a.m. - 6:00 p.m. (EST). Saturday 8:30 a.m. - 4:30 p.m. (EST).

Our consultants provide assistance with:

- Features and specifications on our full line of appliances.
- Referrals to local dealers.

For service in Canada

Call **1-800-807-6777**. KitchenAid Canada designated service technicians are trained to fulfill the product warranty and provide after-warranty service, anywhere in Canada.

For further assistance

If you need further assistance, you can write to KitchenAid Canada with any questions or concerns at:

Customer Interaction Center
KitchenAid Canada
1901 Minnesota Court
Mississauga, Ontario L5N 3A7

Please include a daytime phone number in your correspondence.

Accessories

To order accessories, call **1-800-442-9991** and ask for the appropriate part number listed below or contact your authorized KitchenAid dealer. In Canada, call **1-800-807-6777**.

Stainless Steel Cleaner & Polish

Order Part #4396095

Outdoor Ice Maker Cleaner

Order Part #4396736

KITCHENAID® ICE MAKER WARRANTY

ONE-YEAR FULL WARRANTY ON ICE MAKER

For one year from the date of purchase when this product is operated in a residential or light commercial setting, and is maintained according to the instructions furnished with the product, KitchenAid will pay for factory specified replacement parts and repair labor to correct defects in materials or workmanship. Service must be provided by a KitchenAid designated service company.

SECOND THROUGH FIFTH YEAR FULL WARRANTY SEALED REFRIGERATION SYSTEM PARTS AS LISTED

In second through fifth years from the date of purchase, when this product is operated in a residential or light commercial setting, and is maintained according to the instructions furnished with the product, KitchenAid will pay for replacement parts and repair labor costs to correct defects in materials or workmanship in the sealed refrigeration system. These parts are compressor, evaporator, condenser, dryer/strainer, and connecting tubing. Service must be performed by a KitchenAid designated service company.

KitchenAid will not pay for:

1. Service calls to correct the installation of your ice maker, to instruct you how to use your ice maker, to replace house fuses or correct house wiring or plumbing, to replace light bulbs.
 2. Repairs when your ice maker is used in locations where usage exceeds ice making capabilities of unit (about 50 lbs. [22.7 kg] in 24 hours). This ice maker is intended only for residential and/or light commercial use that does not exceed these capabilities.
 3. Damage resulting from accident, alteration, misuse, abuse, fire, flood, acts of God, improper installation, or installation not in accordance with local electrical or plumbing codes, or use of product not approved by KitchenAid.
 4. Replacement parts or repair labor costs for units operated outside the United States and Canada.
 5. Pickup and delivery. This product is designed to be repaired in the home.
 6. Repairs to parts or systems resulting from unauthorized modifications made to the appliance.
 7. In Canada, travel or transportation expenses for customers who reside in remote areas.
-

KITCHENAID AND KITCHENAID CANADA SHALL NOT BE LIABLE FOR INCIDENTAL OR CONSEQUENTIAL DAMAGES.

Some states and provinces do not allow the exclusion or limitation of incidental or consequential damages, so this exclusion or limitation may not apply to you. This warranty gives you specific legal rights, and you may also have other rights which vary from state to state or province to province.

Outside the 50 United States and Canada, this warranty does not apply. Contact your local KitchenAid dealer to determine if another warranty applies.

If you need service, first see the "Troubleshooting" section of this book. After checking "Troubleshooting," additional help can be found by checking the "Assistance or Service" section or by calling the KitchenAid Customer Interaction Center, **1-800-422-1230** (toll-free), from anywhere in the U.S.A. For service in Canada, call **1-800-807-6777**. 3/03

Keep this book and your sales slip together for future reference. You must provide proof of purchase or installation date for in-warranty service.

Write down the following information about your ice maker to better help you obtain assistance or service if you ever need it. You will need to know your complete model number and serial number. You can find this information on the model and serial number label, located on the inside left wall of the ice maker.

Dealer name _____
Address _____
Phone number _____
Model number _____
Serial number _____
Purchase date _____

SÉCURITÉ DE LA MACHINE À GLAÇONS

Votre sécurité et celle des autres est très importante.

Nous donnons de nombreux messages de sécurité importants dans ce manuel et sur votre appareil ménager. Assurez-vous de toujours lire tous les messages de sécurité et de vous y conformer.



Voici le symbole d'alerte de sécurité.

Ce symbole d'alerte de sécurité vous signale les dangers potentiels de décès et de blessures graves à vous et à d'autres.

Tous les messages de sécurité suivront le symbole d'alerte de sécurité et le mot "DANGER" ou "AVERTISSEMENT". Ces mots signifient :

⚠ DANGER

Risque possible de décès ou de blessure grave si vous ne suivez pas immédiatement les instructions.

⚠ AVERTISSEMENT

Risque possible de décès ou de blessure grave si vous ne suivez pas les instructions.

Tous les messages de sécurité vous diront quel est le danger potentiel et vous disent comment réduire le risque de blessure et ce qui peut se produire en cas de non-respect des instructions.

IMPORTANTES INSTRUCTIONS DE SÉCURITÉ

AVERTISSEMENT : Pour réduire le risque d'incendie, de choc électrique ou de blessures lors de l'utilisation de la machine à glaçons, il convient d'observer certaines précautions élémentaires :

- Brancher sur une prise à 3 alvéoles reliée à la terre.
- Ne pas enlever la broche de liaison à la terre.
- Ne pas utiliser un adaptateur.
- Ne pas utiliser un câble de rallonge.
- Utiliser deux ou plus de personnes pour déplacer et installer la machine à glaçons.
- Déconnecter la source de courant électrique avant le nettoyage.
- Déconnecter la source de courant électrique avant l'entretien.
- Replacer tous les panneaux avant de faire la remise en marche.

CONSERVEZ CES INSTRUCTIONS

INSTRUCTIONS D'INSTALLATION

Déballage

⚠ AVERTISSEMENT

Risque du poids excessif

Utiliser deux ou plus de personnes pour déplacer et installer la machine à glaçons.

Le non-respect de cette instruction peut causer une blessure au dos ou d'autre blessure.

Enlever les matériaux d'emballage

Enlever le ruban adhésif et la colle de votre machine à glaçons avant de l'utiliser y compris le ruban qui maintient la porte fermée. Enlever le sachet accessoire du bac de conservation des glaçons.

La machine à glaçons est couverte d'un film protecteur. Enlever complètement le film avant d'installer la machine à glaçons.

- Pour enlever ce qui reste du ruban adhésif ou de la colle, frotter la surface vivement avec le pouce. La colle ou l'adhésif qui reste peut être facilement enlevé en frottant avec les doigts et une petite quantité de savon liquide pour la vaisselle sur l'adhésif. Rincer à l'eau tiède et essuyer.
- Ne pas utiliser d'instrument coupant, d'alcool à friction, de liquides inflammables ou de nettoyeurs abrasifs pour enlever le ruban adhésif ou la colle. Ces produits peuvent endommager la surface de votre machine à glaçons.

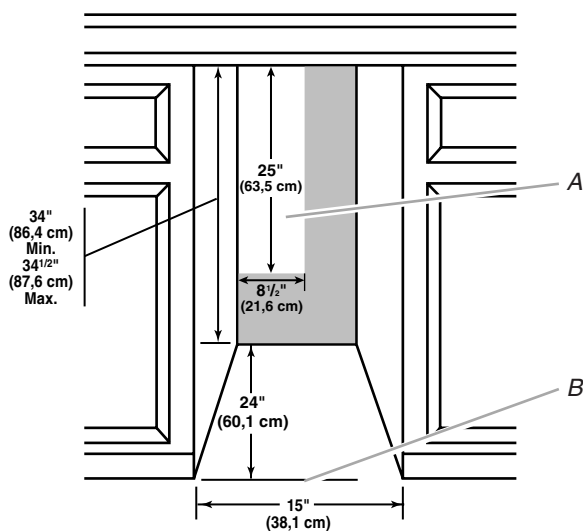
Nettoyage avant l'utilisation

Après avoir enlevé tous les matériaux d'emballage, nettoyer l'intérieur de la machine à glaçons avant de l'utiliser. Voir les instructions de nettoyage dans la section "Entretien de la machine à glaçons".

Emplacement d'installation

- Pour assurer une bonne aération de votre appareil, l'avant doit avoir au moins 15" (38,1 cm) de dégagement. Les autres côtés et le dessus de l'appareil peuvent être dissimulés, mais l'installation doit permettre de tirer la machine à glaçons vers l'avant pour y faire les travaux d'entretien requis.
- Pour installer la machine à glaçons, il faut avoir un tuyau d'alimentation en eau froide de 1/4" (6,35 mm) de dia. ext. en cuivre mou avec un robinet et un système de vidange par gravité ou une pompe à condensat pour pousser l'eau vers un drain existant.
- Choisir un endroit bien aéré où la température est supérieure à 45°F (7°C) et inférieure à 100°F (38°C). Pour tirer le meilleur rendement de l'appareil, la température ambiante doit se situer entre 70°F (21°C) et 90°F (32°C). Cet appareil DOIT être installé à un endroit protégé contre les éléments, comme le vent, la pluie, les embruns ou les gouttes.
- Lorsque l'appareil est installé sous un comptoir, observer les dimensions d'ouverture recommandées. Placer les composants électriques et de plomberie dans la zone recommandée sur l'illustration.

REMARQUE : Il ne faut pas écraser ni pincer le cordon d'alimentation électrique entre l'appareil et l'armoire.



A. Zone recommandée pour les composants électriques et de plomberie

B. Niveau du plancher

- Il est recommandé de choisir un emplacement où le plancher est uniforme. Il est important que la machine à glaçons soit d'aplomb pour bien fonctionner. Au besoin, il est possible de régler la hauteur de la machine à glaçons en changeant la position des roulettes arrière. Voir la section "Nivellement".
- Pour optimiser la performance et l'efficacité énergétique, ne pas exposer au rayonnement solaire direct lors de l'utilisation.

Spécifications électriques

⚠ AVERTISSEMENT



Risque de choc électrique

Brancher sur une prise à 3 alvéoles reliée à la terre.

Ne pas enlever la broche de liaison à la terre.

Ne pas utiliser un adaptateur.

Ne pas utiliser un câble de rallonge.

Le non-respect de ces instructions peut causer un décès, un incendie ou un choc électrique.

Avant de pousser la machine à glaçons à sa place définitive, il faut s'assurer que le raccordement électrique a été bien fait.

Il faut un circuit d'alimentation électrique CA de 115 volts, 60 Hz, de seulement 15 ampères mis à la terre conformément aux instructions du Code national de l'électricité et des codes et règlements locaux.

Il est recommandé de réserver un circuit spécial à la machine à glaçons. Utiliser une boîte où l'alimentation ne peut pas être coupée à l'aide d'un interrupteur ou d'une chaînette.

Méthode de mise à la terre recommandée

Pour votre propre sécurité, cet appareil doit être mis à la terre. L'appareil comporte un cordon d'alimentation électrique à trois broches pour la mise à la terre. Pour minimiser les risques de choc électrique, le cordon d'alimentation électrique doit être branché sur une prise de courant murale mise à la terre correspondante à trois alvéoles où la mise à la terre a été faite conformément au Code national de l'électricité et aux codes et règlements locaux. S'il n'y a pas de prise de courant correspondante, il incombe au client de faire installer une prise de courant murale à trois alvéoles mise à la terre de façon appropriée par un électricien qualifié.

Nivellement

Il est important que la machine à glaçons soit d'aplomb pour bien fonctionner. Selon l'endroit où vous installez la machine à glaçons, vous pourrez avoir à effectuer plusieurs ajustements pour la mettre d'aplomb.

Outils requis

- Niveau

Ajustement des pieds de nivellement

La machine à glaçons comporte 4 pieds de nivellement réglables pour vous aider à stabiliser le produit et à vous assurer qu'il est d'aplomb.

REMARQUE : Il sera plus facile d'ajuster les pieds de nivellement avec l'aide d'une autre personne.

1. Placer un niveau sur le dessus du produit pour voir si la machine à glaçons est d'aplomb d'avant en arrière et transversalement.
2. Pousser vers le haut sur la partie avant de la machine à glaçons pour repérer les pieds de nivellement qui se trouvent sur le fond de l'appareil.
3. Changer la hauteur des pieds comme suit :
 - Tourner les pieds de nivellement vers la droite pour abaisser ce côté de la machine à glaçons.
 - Tourner les pieds de nivellement vers la gauche pour soulever ce côté de la machine à glaçons.

REMARQUE : La machine à glaçons ne devrait pas osciller. Utiliser des cales pour accroître la stabilité au besoin.



4. Utiliser un niveau pour revérifier que la machine à glaçons est bien d'aplomb d'avant en arrière et transversalement. Dans le cas contraire, répéter les étapes 2 et 3. Si la machine est d'aplomb, passer à la section "Raccordement à l'alimentation en eau".

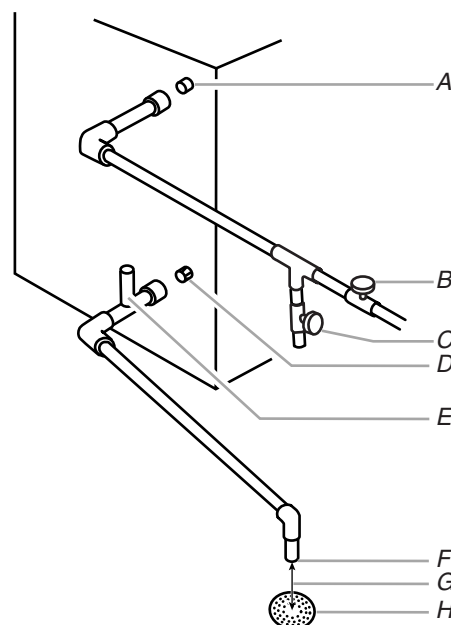
Raccordement à l'alimentation en eau

IMPORTANT :

- L'installation des circuits de plomberie doit être conforme aux prescriptions du Code de plomberie international et de toute réglementation locale.
- Utiliser un tube en cuivre et vérifier s'il y a des fuites.
- Installer seulement des tuyaux en cuivre là où les températures resteront au-dessus du point de congélation.
- Fermer le robinet d'arrêt lorsque la température de l'eau est en dessous de 32°F (0°C) pour éviter d'endommager la tuyauterie.
- Ne pas faire fonctionner la machine à glaçons lorsque l'alimentation en eau est fermée.

Raccordement de l'eau

Raccorder la machine à glaçons à l'alimentation en eau en utilisant l'orifice d'entrée d'eau de 1/2" (1,3 cm) situé à l'arrière de la machine à glaçons. S'assurer d'utiliser une alimentation en eau potable. La canalisation d'alimentation en eau doit comporter un robinet d'arrêt et un orifice de sortie de vidange installés.



- | | |
|---------------------------------|-------------------------------|
| A. Orifice d'entrée d'eau | E. Événement |
| B. Robinet d'arrêt | F. Sortie du tube de décharge |
| C. Robinet de vidange | G. Espace d'air, 2" |
| D. Orifice de sortie de vidange | H. Siphon de plancher |

Raccordement de la vidange

Vidange par gravité

Il faut raccorder le tuyau de vidange à votre drain de vidange conformément aux prescriptions du Code de plomberie international et aux codes et règlements locaux. La machine à glaçons est fournie avec un drain de vidange par gravité; suivre les instructions ci-dessous lors de l'installation des tuyaux de vidange. Ceci empêchera l'eau d'être refoulée dans le bac d'entreposage de la machine à glaçons et de couler sur le plancher pouvant ainsi causer des dommages.

- Les tuyaux de vidange doivent avoir au moins 5/8" (15,88 mm) de diamètre intérieur.
- Les tuyaux de vidange doivent avoir une pente de 1" pour chaque 48" (2,54 cm pour chaque 122 cm) de longueur ou une pente de 1/4" pour chaque 12" de longueur (6,35 mm/30,48 cm) et ne comporter aucun point bas où l'eau pourrait stagner.
- Les drains de vidange de plancher doivent être suffisamment grands pour recevoir l'eau de vidange provenant de toutes sources.
- Il faut maintenir un écart anti-retour de 2" (5,08 cm) entre le tuyau de la pompe de vidange et le drain de plancher.

Après avoir vérifié que le système de vidange est adéquat, suivre les instructions ci-dessous pour installer la machine à glaçons correctement :

1. Brancher la machine à glaçons ou reconnecter la source de courant électrique.
2. Vérifier à nouveau la machine à glaçons pour s'assurer qu'elle est bien d'aplomb. Voir la section "Nivellement".
3. Poussez la machine à glaçons à sa place de sorte que le tuyau de vidange de la machine soit placé au-dessus du drain de plancher.
4. Si le code sanitaire local l'exige, sceller la machine sur le plancher à l'aide d'un produit de calfeutrage approuvé une fois que les raccordements d'eau et d'électricité ont été faits.

Sons normaux

Il est possible que votre nouvelle machine à glaçons émette des bruits qui ne vous sont pas familiers. Comme ces bruits sont nouveaux, ils peuvent vous inquiéter. La plupart de ces nouveaux bruits sont normaux. Des surfaces dures comme le plancher, les murs ou les armoires peuvent amplifier les bruits. Les descriptions suivantes indiquent les différents bruits qui peuvent être nouveaux pour vous et leur cause.

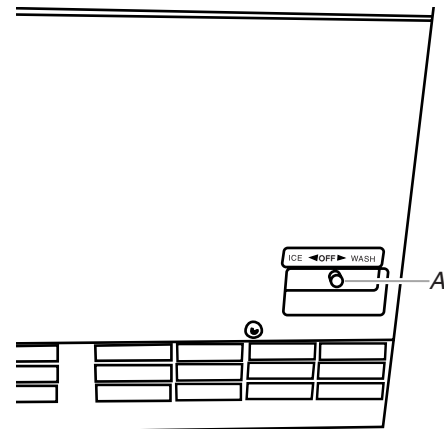
- Lors de la mise en marche initiale de la machine à glaçons, il est possible que vous entendiez l'eau couler. La machine à glaçons est programmée pour remplir le réservoir d'eau avant le début de la fabrication de glaçons.
- Vous entendrez un bourdonnement lorsque la valve d'eau s'ouvre pour remplir le réservoir d'eau pour chaque programme.
- Des cliquetis peuvent venir du débit du réfrigérant ou de la canalisation d'eau. Les articles posés sur le dessus de la machine à glaçons peuvent également faire du bruit.
- Le compresseur à haute efficacité peut produire un son aigu ou des pulsations.
- L'eau coulant sur la plaque d'évaporation peut produire un son d'éclaboussement.
- L'eau coulant de la plaque d'évaporation au réservoir d'eau peut produire un son d'éclaboussement.
- À la fin de chaque programme, vous pouvez entendre un gargouillement provenant du réfrigérant qui circule dans votre machine à glaçons.
- Vous pouvez entendre de l'air qui est transmis au condenseur par le ventilateur du condenseur.
- Lors du programme de collecte des glaçons, vous pouvez entendre de faibles sons brefs lorsque les glaçons tombent dans le bac.

UTILISATION DE LA MACHINE À GLAÇONS

Utilisation des commandes

La commande de la machine à glaçons est située sur le fond de l'appareil juste au-dessus de la grille de la base. Il faut ouvrir la porte de la machine à glaçons pour accéder à la commande.

5. Pour mettre en marche la production de glaçons, placer le commutateur sur ICE (glaçons). Selon la température de l'air et de l'eau, la machine à glaçons produira le premier lot de glaçons en moins d'une heure.
6. Pour arrêter le fonctionnement de la machine à glaçons, tourner le commutateur à OFF (arrêt).



A. Interrupteur de commande

REMARQUE : Le réglage WASH (lavage) est utilisé lorsqu'on fait circuler des solutions dans la machine à glaçons pour le nettoyage. Seuls la pompe à eau, le robinet de prise d'eau et le moteur du ventilateur fonctionnent à ce réglage. Voir "Nettoyage".

ENTRETIEN DE LA MACHINE À GLAÇONS

Nettoyage

Pour que la machine à glaçons fonctionne au niveau d'efficacité maximum et pour que les composants du système ne subissent pas de défaillance, on doit nettoyer régulièrement la machine et le condenseur refroidi à l'air. Voir les sections "Machine à glaçons" et "Condenseur".

Surfaces externes

Nettoyer les surfaces externes d'acier inoxydable avec de l'eau tiède contenant un détergent doux (utiliser une éponge ou un chiffon doux propre). Ne pas utiliser de produit de nettoyage abrasif ou énergique. Sécher parfaitement avec un chiffon doux.

REMARQUE : Pour entretenir l'aspect de produit neuf de la machine à glaçons en acier inoxydable, et pour éliminer les éraflures mineures, on suggère l'emploi du produit de nettoyage/polissage de l'acier inoxydable recommandé par le fabricant.

IMPORTANT : Ce produit de nettoyage est à utiliser uniquement sur les composants d'acier inoxydable!

Ne pas laisser le produit de nettoyage/polissage de l'acier inoxydable entrer en contact avec des composants de plastique - pièces de garniture, couvercle du distributeur ou joint de porte. En cas de contact accidentel, nettoyer le composant de plastique avec une éponge et de l'eau tiède contenant un détergent doux; sécher parfaitement avec un chiffon doux. Pour la commande du produit de nettoyage, voir la section "Accessoires".

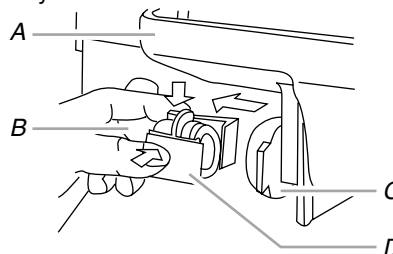
Système de production de glaçons

Les composés minéraux qui se séparent de l'eau à l'occasion de la congélation s'accumuleront pour former finalement un dépôt de tartre dur dans le système de circulation de l'eau. Pour éliminer ces accumulations, on doit nettoyer régulièrement le circuit. La fréquence de nettoyage nécessaire dépendra de la dureté de l'eau locale. Lorsque la dureté de l'eau est de 15 à 20 grains/gal. (4 à 5 grains/litre), il peut être nécessaire de nettoyer le système à intervalles de 6 mois. On doit toujours porter des gants étanches lors de la manipulation du produit de nettoyage et des solutions de désinfection.

REMARQUE : Utiliser 4 oz (148 mL) du nettoyant pour l'extérieur de la machine à glaçons (pièce n° 4396736) mélangés à 1 gal (3,78 L) d'eau tiède (90°F - 95°F [32°C - 35°C]) pour éliminer le dépôt de tartre.

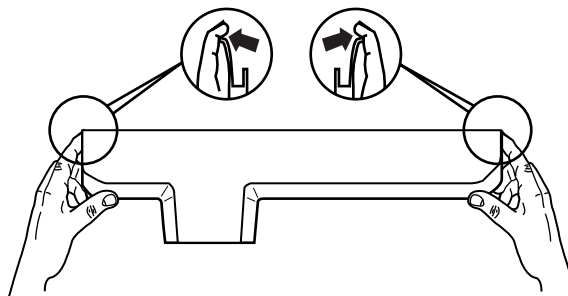
1. Placer le bouton de commande à la position OFF (arrêt).
2. Pour enlever les glaçons qui restent dans l'évaporateur, faire fonctionner la machine à glaçons pendant environ 3 minutes. Les glaçons tomberont dans le bac durant l'étape de récolte.
3. Placer le commutateur à la position OFF (arrêt).
4. Fermer le robinet d'arrêt de la canalisation d'arrivée d'eau.
5. Retirer les glaçons du bac.

6. Déconnecter le tube d'aspiration du réservoir d'eau. Presser les deux languettes en plastique pour libérer le joint et dégager le tuyau.



A Réservoir d'eau
B. Tube d'aspiration
C. Vidange
D. Joint

7. Retirer le réservoir d'eau et vider l'eau. Pour retirer le réservoir, écarter les pattes des deux côtés pour déverrouiller, puis tirer le réservoir vers soi.



8. Réinstaller le réservoir d'eau.
9. Verser lentement la solution de nettoyage diluée dans le réservoir d'eau.
10. Placer le bouton de commande à la position WASH (lavage).
11. Laisser le processus de lavage de la machine à glaçons se dérouler pendant environ 30 minutes.
12. Après le lavage de la machine à glaçons, placer le bouton de commande à la position OFF (arrêt).
13. Retirer le réservoir d'eau et vider la solution de nettoyage.
14. Réinstaller le réservoir d'eau, et ouvrir le robinet d'arrêt de la canalisation d'eau.
15. Placer le bouton de commande à la position WASH (lavage) et laisser le système effectuer une autre opération de lavage de 5 minutes avec circulation d'eau propre.
16. Après 5 minutes, placer le bouton de commande à la position OFF (arrêt) puis immédiatement à la position WASH (lavage), et laisser l'eau propre circuler encore pendant 5 minutes. Répéter ce processus 2 fois.

Désinfection

Après avoir nettoyé le circuit d'eau avec un produit de détartrage, on doit également exécuter une opération de désinfection du circuit.

Désinfection du circuit :

1. Vérifier que le bouton de commande de la machine à glaçons est à la position OFF (arrêt), et fermer le robinet d'arrêt de la canalisation d'arrivée d'eau.
2. Retirer le réservoir d'eau et vider l'eau.
3. Remettre le réservoir d'eau en place.
4. Diluer 1 c. à soupe (15 mL) d'eau de Javel dans 1 gal. (3,8 L) d'eau.

5. Verser lentement la solution de désinfection dans le réservoir d'eau.
6. Placer le bouton de commande à la position WASH (lavage), et laisser la solution de désinfection circuler pendant 15 minutes.
7. Placer le bouton de commande à la position OFF (arrêt), retirer le réservoir d'eau et vider la solution de désinfection. Réinstaller le réservoir d'eau.
8. Ouvrir le robinet d'arrêt de la canalisation d'arrivée d'eau et placer le bouton de commande à la position WASH (lavage).
9. Laisser la machine à glaçons effectuer une opération de rinçage pendant 5 minutes. Placer le bouton de commande à la position OFF (arrêt), puis immédiatement à la position WASH (lavage). Répéter ce processus 2 fois pour le rinçage total du circuit.
10. Placer le bouton de commande à la position ICE (production de glaçons) pour la reprise de la production de glaçons.

Condenseur

Si le condenseur est souillé ou encrassé :

- La circulation d'air est déficiente.
- La capacité de génération de glaçons est réduite.
- La température de fonctionnement de la machine à glaçons est plus élevée, et ceci peut conduire à une défaillance de composants.

⚠ AVERTISSEMENT



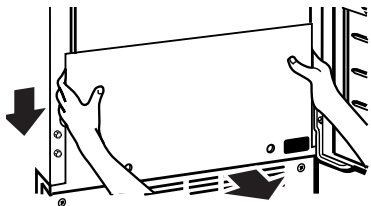
Risque de choc électrique

Déconnecter la source de courant électrique avant le nettoyage.

Replacer tous les panneaux avant de faire la remise en marche.

Le non-respect de ces instructions peut causer un décès ou un choc électrique.

1. Débrancher la machine à glaçons ou déconnecter la source de courant électrique.
2. Avec un tournevis Phillips, ôter les deux vis fixant le panneau de l'ouverture d'accès inférieure, et les deux vis de la zone de la grille de la base sur le support du panneau avant.
3. Écarter la grille de la base, puis tirer sur le panneau vers le bas pour l'enlever.

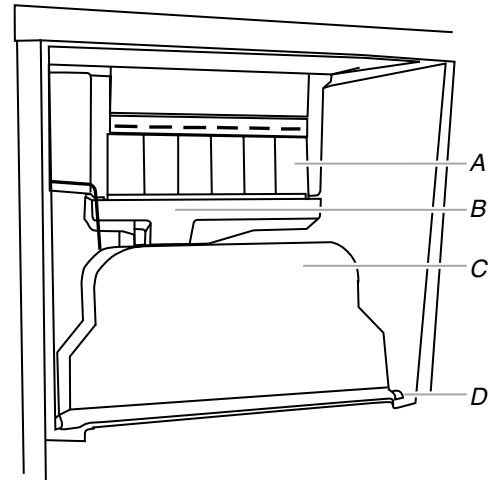


4. Enlever les saletés et autres débris accumulés sur les lames de l'échangeur de chaleur et dans le compartiment du module - utiliser un aspirateur muni de son suceur à brosse.
5. Réinstaller le panneau de l'ouverture d'accès inférieure - fixer le panneau avec les deux vis.

6. Brancher la machine à glaçons ou reconnecter la source de courant électrique.

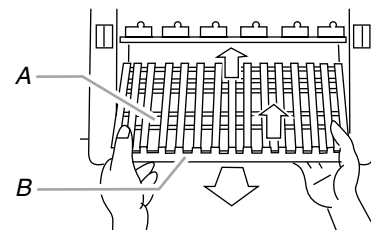
Composants internes

1. Débrancher la machine à glaçons ou déconnecter la source de courant électrique.
2. Ouvrir la porte du bac d'entreposage, et enlever tous les glaçons qui s'y trouvent.
3. Enlever le volet de protection - faire fléchir légèrement le volet au centre pour dégager les extrémités des pitons de pivotement.



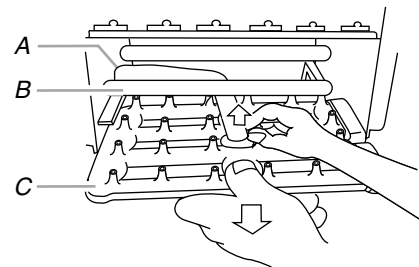
A. Séparateurs
B. Réservoir d'eau
C. Volet de protection
D. Pitons de pivotement

4. Retirer le réservoir d'eau et vider l'eau.
5. Enlever les séparateurs : soulever chaque séparateur et pousser vers l'arrière.
6. Soulever la goulotte à glace pour la séparer des parties avant et arrière du châssis.



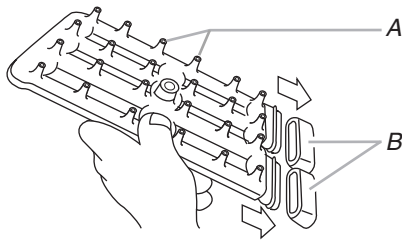
A. Châssis
B. La goulotte à glace

7. L'ensemble de vaporisation se trouve sous la goulotte à glaçons. Tirer pour séparer le tube de décharge du module d'admission d'eau; on doit ensuite tirer l'ensemble vers soi.



A. Tube de décharge
B. Châssis
C. Module d'admission d'eau

- Enlever les deux embouts sur les côtés du module d'admission d'eau.



A. Buses d'admission
B. Embout

- Laver les composants internes avec de l'eau tiède contenant un détergent ou savon doux. Rincer avec de l'eau propre. Désinfecter ensuite les mêmes composants avec une solution de 1 c. à soupe (15 mL) d'eau de Javel dans 1 gal. (3,8 L) d'eau tiède. Rincer de nouveau parfaitement avec de l'eau tiède. Si les buses d'admission d'eau sont obstruées, on doit les nettoyer avec un goupillon métallique.
- Nettoyer la pelle de prélèvement des glaçons et l'intérieur du bac à glaçons.
- Réinstaller les embouts sur le module d'admission d'eau; effectuer la remise en place. Reconnecter le tube de décharge.
- Insérer la goulotte à glaçons - on doit percevoir un déclic lors de la mise en place.
- Réinstaller le réservoir d'eau, le séparateur et le volet de protection.
- Brancher la machine à glaçons ou reconnecter la source de courant électrique.

Précautions à prendre pour les vacances et avant un déménagement

Arrêt de la machine à glaçons :

- Débrancher la machine à glaçons ou déconnecter la source de courant électrique.
- Fermer l'alimentation en eau et ouvrir le robinet de vidange.
- Enlever tous les glaçons du bac d'entreposage.
- Enlever le réservoir d'eau et vider l'eau.
- Une fois que l'eau est vidée de la machine à glaçons, fermer le robinet de vidange.
- Avant d'utiliser l'appareil de nouveau, nettoyer la machine à glaçons et le bac à glaçons.
- Jeter les 3 premières quantités de glaçons produites.

REMARQUE : Tous les composants de la machine à glaçons ont reçu une lubrification permanente à l'usine. Aucune autre lubrification ne devrait être nécessaire pendant toute la durée de vie normale de la machine.

Préparation pour l'hiver

La machine à glaçons doit être éteinte si les températures descendent au-dessous de 45°F (7°C). De plus, si les températures descendent en-dessous de 32°F (0°C), l'eau doit être vidée complètement de la machine à glaçons et de toutes les canalisations d'eau pour éviter tout endommagement.

- Enlever le réservoir d'eau et vider l'eau.
- Une fois que l'eau est vidée de la machine à glaçons, fermer le robinet de vidange.
- Avant d'utiliser l'appareil de nouveau, nettoyer la machine à glaçons et le bac à glaçons.
- Jeter les 3 premières quantités de glaçons produites.

DÉPANNAGE

Essayer les solutions suggérées ici d'abord afin d'éviter le coût d'une visite de service non nécessaire.

L'appareil ne fonctionne pas

- La commande est-elle réglée sur ICE (glaçons)?** S'assurer que la commande est réglée à ICE (glaçons).
- Le cordon d'alimentation est-il branché?** Brancher sur une prise reliée à la terre (à trois alvéoles).
- Un fusible est-il grillé ou un disjoncteur s'est-il ouvert?** Remplacer le fusible ou remettre le disjoncteur en fonction.
- La température est-elle plus basse que d'habitude?** La température ambiante doit être supérieure à 45°F (7°C). Sinon, le thermostat du bac peut détecter une température ambiante basse et s'arrêter même si le bac n'est pas plein de glaçons. L'appareil peut aussi ne pas se remettre en marche une fois éteint.

L'appareil fonctionne mais ne produit pas de glaçons

- La commande est-elle réglée sur ICE (glaçons)?** S'assurer que la commande est réglée sur ICE (glaçons).
- L'alimentation en eau est-elle raccordée?** S'assurer que l'alimentation en eau est correctement reliée et branchée.

L'appareil fonctionne mais produit très peu de glaçons

- La température est-elle plus élevée que d'habitude?** Les températures ambiantes supérieures à 100°F (37°C) réduiront normalement la production de glaçons.
- Le condensateur est-il sale?** De la saleté ou de la charpie peut bloquer le débit d'air passant dans le condensateur. Voir la section "Condensateur".
- Y a-t-il une accumulation de tartre dans la machine à glaçons?** S'il y a une accumulation blanche de tartre dans le système d'eau ou de congélation de la machine à glaçons, il faut nettoyer l'appareil. Voir les sections "Système de la machine à glaçons" et "Composants internes".
- Y a-t-il un espace d'au moins 15 po (38,1 cm) devant la machine à glaçons?** La machine à glaçons doit avoir un espace d'au moins 15 po (38,1 cm) à l'avant pour fonctionner correctement.
- Le vaporisateur est-il obstrué?** Si le vaporisateur est obstrué, l'eau ne peut pas entrer dans le mécanisme de fabrication de glaçons. Nettoyer le vaporisateur. Voir la section "Composants internes".

Les glaçons ont un goût

- Y a-t-il un contenu de minéraux anormalement élevé dans l'alimentation en eau?** L'eau peut avoir besoin d'être filtrée ou traitée.
- Y a-t-il des aliments dans le bac à glaçons?** Ne pas conserver d'aliment dans le bac à glaçons.
- Tous les matériaux d'emballage ont-ils été enlevés?** S'assurer que tous les matériaux d'emballage ont été enlevés au moment de l'installation.

ASSISTANCE OU SERVICE

Avant de faire un appel pour assistance ou service, veuillez consulter la section "Dépannage". Cette vérification peut vous faire économiser le coût d'une visite de service. Si vous avez encore besoin d'aide, suivez les instructions ci-dessous.

Lors d'un appel, veuillez connaître la date d'achat et les numéros au complet du modèle et de la série de votre appareil. Ces renseignements nous aideront à mieux répondre à votre demande.

Si vous avez besoin de pièces de rechange

Si vous avez besoin de commander des pièces de rechange, nous vous recommandons d'utiliser seulement les pièces de rechange d'origine. Les pièces de rechange d'origine conviendront et fonctionneront bien parce qu'elles sont fabriquées selon les mêmes spécifications précises utilisées pour fabriquer chaque nouvel appareil KITCHENAID®.

Pour localiser des pièces de rechange d'origine dans votre région, téléphoner au Centre d'interaction avec la clientèle ou au centre de service désigné le plus proche.

Aux États-Unis

Téléphoner au Centre d'interaction avec la clientèle KitchenAid sans frais : **1-800-422-1230**.

Nos consultants fournissent de l'assistance pour :

- Caractéristiques et spécifications de notre gamme complète d'appareils ménagers.
- Informations relatives à l'installation.
- Procédés d'utilisation et d'entretien.
- Vente d'accessoires et de pièces de rechange.
- Assistance spécialisée au client (langue espagnole, malentendants, malvoyants, etc.).
- Références aux concessionnaires, compagnies de service de réparation et distributeurs de pièces de rechange locaux. Les techniciens de service désignés par KitchenAid sont formés pour remplir la garantie des produits et fournir un service après garantie partout aux États-Unis.

Pour localiser la compagnie de service désignée par Kitchen Aid dans votre région, vous pouvez consulter les Pages jaunes.

Pour plus d'assistance

Si vous avez besoin de plus d'assistance, vous pouvez écrire à KitchenAid en soumettant toute question ou problème à :

KitchenAid Brand Home Appliances
Customer Interaction Center
553 Benson Road
Benton Harbor, MI 49022-2692

Dans votre correspondance, veuillez indiquer un numéro de téléphone où l'on peut vous joindre dans la journée.

Au Canada

Téléphoner sans frais au centre d'interaction avec la clientèle de KitchenAid Canada au : **1-800-461-5681** du lundi au vendredi de 8 h 00 à 18 h 00 (HNE), le samedi de 8 h 30 à 16 h 30 (HNE).

Nos consultants fournissent de l'assistance pour :

- Caractéristiques et spécifications de notre gamme complète d'appareils ménagers.
- Références aux concessionnaires locaux.

Service au Canada

Téléphonez au **1-800-807-6777**. Les techniciens de service désignés par KitchenAid Canada sont formés pour remplir la garantie des produits et fournir un service après garantie partout au Canada.

Pour plus d'assistance

Si vous avez besoin de plus d'assistance, vous pouvez écrire à KitchenAid Canada en soumettant toute question ou problème à :

Centre d'interaction avec la clientèle
KitchenAid Canada
1901 Minnesota Court
Mississauga, Ontario L5N 3A7

Dans votre correspondance, veuillez indiquer un numéro de téléphone où l'on peut vous joindre dans la journée.

Accessoires

Pour commander des accessoires, composez le **1-800-442-9991** et demandez le numéro de pièce approprié mentionné ci-dessous ou contactez votre marchand autorisé KitchenAid. Au Canada, composez le **1-800-807-6777**.

Nettoyant et poli pour acier inoxydable

Commandez le n° de pièce 4396095

Nettoyant por machine à glaçons d'extérieur

Commandez le n° de pièce 4396736

GARANTIE DE LA MACHINE À GLAÇONS KITCHENAID®

GARANTIE COMPLÈTE DE UN AN DE LA MACHINE À GLAÇONS

Pendant un an à compter de la date d'achat, lorsque ce produit est utilisé dans un contexte résidentiel ou commercial léger, et entretenu conformément aux instructions fournies avec le produit, KitchenAid paiera pour les pièces de rechange d'origine et la main-d'œuvre pour la correction des vices de matériaux ou de fabrication. Le service doit être fourni par une compagnie de service désignée par KitchenAid.

GARANTIE COMPLÈTE DE LA DEUXIÈME À LA CINQUIÈME ANNÉE INCLUSIVEMENT SUR LES PIÈCES DU SYSTÈME DE RÉFRIGÉRATION SCELLÉ

De la deuxième à la cinquième année inclusivement à compter de la date d'achat, lorsque ce produit est utilisé dans un contexte résidentiel ou commercial léger, et entretenu conformément aux instructions fournies avec le produit, KitchenAid paiera pour les pièces de rechange et la main-d'œuvre pour la correction des vices de matériaux ou de fabrication sur le système de réfrigération scellée. Les pièces comprennent : compresseur, évaporateur, condenseur, séchoir/grille et conduits de connexion. Le service doit être exécuté par une compagnie de service désignée par KitchenAid.

KitchenAid ne paiera pas :

1. Les visites de service pour corriger l'installation de votre machine à glaçons, pour expliquer comment utiliser la machine à glaçons, pour remplacer des fusibles de la maison ou pour corriger la filerie ou la plomberie, et pour remplacer les ampoules d'éclairage.
2. Les réparations lorsque la machine à glaçons est utilisée à des endroits où son utilisation dépasse les capacités de fabrication de glace de la machine (environ 50 livres [22,7 kg] par période de 24 heures). Cette machine à glaçons est conçue pour usage résidentiel et/ou commercial léger ne dépassant pas ces capacités.
3. Les dommages imputables à : accident, modification, usage impropre ou abusif, incendie, inondation, catastrophes naturelles, installation fautive ou installation non conforme aux codes locaux d'électricité et de plomberie ou l'utilisation de produits non approuvés par KitchenAid.
4. Le coût des pièces de rechange et de la main-d'œuvre pour les appareils utilisés hors des États-Unis et du Canada.
5. Le ramassage et la livraison. Ce produit est conçu pour être réparé à domicile.
6. Les réparations aux pièces ou systèmes résultant d'une modification non autorisée faite à l'appareil.
7. Au Canada, les frais de déplacement ou de transport pour les clients qui habitent dans des régions éloignées.

KITCHENAID ET KITCHENAID CANADA N'ASSUMENT AUCUNE RESPONSABILITÉ POUR LES DOMMAGES FORTUITS OU INDIRECTS.

Certains États et certaines provinces ne permettent pas l'exclusion ou la limitation des dommages fortuits ou indirects de sorte que cette exclusion ou limitation peut ne pas être applicable dans votre cas. Cette garantie vous donne des droits légaux spécifiques, et vous pourriez aussi avoir d'autres droits qui peuvent varier d'un État à l'autre ou d'une province à l'autre.

À l'extérieur du Canada et des 50 États des États-Unis, cette garantie ne s'applique pas. Contactez votre marchand KitchenAid local pour déterminer si une autre garantie s'applique.

Si vous avez besoin de service, voir d'abord la section "Dépannage" de ce manuel. Après avoir vérifié la section "Dépannage", une aide additionnelle peut être trouvée en vérifiant la section "Assistance ou service" ou en téléphonant au Centre d'interaction avec la clientèle KitchenAid au **1-800-422-1230** (sans frais) de n'importe où aux États-Unis. Pour le service au Canada, composer le **1-800-807-6777**.

3/03

Conservez ce manuel et votre reçu de vente ensemble pour référence ultérieure. Pour le service sous garantie, vous devez présenter un document prouvant la date d'achat ou d'installation.

Inscrivez les renseignements suivants à propos de votre machine à glaçons pour mieux obtenir assistance ou service en cas de besoin. Vous devez connaître le numéro de modèle et le numéro de série au complet. Vous trouverez ces renseignements sur la plaque signalétique située sur la paroi intérieure gauche de la machine à glaçons.

Nom du marchand _____

Adresse _____

Numéro de téléphone _____

Numéro de modèle _____

Numéro de série _____

Date d'achat _____

91A1VA11B/2225453A

© 2004. All rights reserved.
Tous droits réservés.

® Registered Trademark/TM Trademark of KitchenAid, U.S.A., KitchenAid Canada licensee in Canada
® Marque déposée/TM Marque de commerce de KitchenAid, U.S.A., Emploi licencié par KitchenAid Canada au Canada

4/04
Printed in U.S.A.
Imprimé aux É.-U.

Free Manuals Download Website

<http://myh66.com>

<http://usermanuals.us>

<http://www.somanuals.com>

<http://www.4manuals.cc>

<http://www.manual-lib.com>

<http://www.404manual.com>

<http://www.luxmanual.com>

<http://aubethermostatmanual.com>

Golf course search by state

<http://golfingnear.com>

Email search by domain

<http://emailbydomain.com>

Auto manuals search

<http://auto.somanuals.com>

TV manuals search

<http://tv.somanuals.com>