

# KitchenAid®

## ICE MAKER

### Use & Care Guide

For questions about features, operation/performance, parts, accessories or service, call: **1-800-422-1230** or visit our website at...  
[www.kitchenaid.com](http://www.kitchenaid.com)

In Canada, for assistance, installation and service, call: **1-800-807-6777** or visit our website at...  
[www.KitchenAid.ca](http://www.KitchenAid.ca)

## FÁBRICA DE HIELO

### Manual de uso y cuidado

Para consultas respecto a características, funcionamiento/desempeño, piezas, accesorios o servicio, llame al: **1-800-422-1230**  
o visite nuestra página de Internet...

[www.kitchenaid.com](http://www.kitchenaid.com)

En Canadá, para obtener ayuda, instalación o servicio llame al: **1-800 807-6777** o visite nuestra página de Internet...  
[www.kitchenaid.ca](http://www.kitchenaid.ca)

## MACHINE À GLAÇONS

### Guide d'utilisation et d'entretien

Au Canada, pour assistance, installation ou service, composez le **1-800-807-6777** ou visitez notre site Web à...

[www.KitchenAid.ca](http://www.KitchenAid.ca)

Table of Contents/Índice/Table des matières .....2



---

# TABLE OF CONTENTS

<b>ICE MAKER SAFETY</b> .....	<b>3</b>	<b>ICE MAKER CARE</b> .....	<b>12</b>
<b>INSTALLATION INSTRUCTIONS</b> .....	<b>3</b>	Cleaning.....	12
Unpack the Ice Maker .....	3	Vacation and Moving Care.....	14
Location Requirements .....	4	<b>TROUBLESHOOTING</b> .....	<b>15</b>
Electrical Requirements .....	4	Ice Maker Operation.....	15
Water Supply Requirements.....	4	Ice Production .....	16
Vacation or Extended Time Without Use.....	5	Ice Quality.....	16
Connect Water Supply.....	5	Plumbing Problems .....	17
Drain Pump Installation.....	6	<b>ASSISTANCE OR SERVICE</b> .....	<b>17</b>
Drain Connection .....	9	In the U.S.A. ....	17
Leveling .....	9	In Canada .....	17
Water Filtration System.....	10	Accessories .....	18
<b>ICE MAKER USE</b> .....	<b>11</b>	<b>PERFORMANCE DATA SHEET</b> .....	<b>18</b>
How Your Ice Maker Works.....	11	<b>WARRANTY</b> .....	<b>19</b>
Using the Controls .....	11		
Normal Sounds .....	12		

---

## ÍNDICE

<b>SEGURIDAD DE LA FÁBRICA DE HIELO</b> .....	<b>21</b>	<b>CUIDADO DE LA FÁBRICA DE HIELO</b> .....	<b>31</b>
<b>INSTRUCCIONES DE INSTALACIÓN</b> .....	<b>22</b>	Limpieza .....	31
Desempaque la fábrica de hielo .....	22	Cuidado durante las vacaciones y mudanzas.....	34
Requisitos de ubicación.....	22	<b>SOLUCIÓN DE PROBLEMAS</b> .....	<b>35</b>
Requisitos eléctricos .....	22	Funcionamiento de la fábrica de hielo.....	35
Requisitos del suministro de agua.....	23	Producción de hielo .....	36
Vacaciones o tiempo prolongado sin uso .....	23	Calidad del hielo .....	36
Conexión del suministro de agua .....	23	Problemas de plomería .....	37
Instalación de la bomba de desagüe.....	24	<b>AYUDA O SERVICIO TÉCNICO</b> .....	<b>37</b>
Conexión del desagüe .....	27	En los EE.UU. ....	37
Nivelación .....	28	Accesorios .....	38
Sistema de filtración de agua .....	29	<b>HOJA DE DATOS DEL RENDIMIENTO</b> .....	<b>38</b>
<b>USO DE LA FÁBRICA DE HIELO</b> .....	<b>30</b>	<b>GARANTÍA</b> .....	<b>39</b>
Cómo funciona su fábrica de hielo.....	30		
Uso de los controles .....	30		
Sonidos normales .....	31		

---

## TABLE DES MATIÈRES

<b>SÉCURITÉ DE LA MACHINE À GLAÇONS</b> .....	<b>41</b>	<b>ENTRETIEN DE LA MACHINE À GLAÇONS</b> .....	<b>51</b>
<b>INSTRUCTIONS D'INSTALLATION</b> .....	<b>42</b>	Nettoyage .....	51
Déballage de la machine à glaçons.....	42	Précautions à prendre pour les vacances ou le déménagement.....	54
Exigences d'installation .....	42	<b>DÉPANNAGE</b> .....	<b>55</b>
Spécifications électriques .....	42	Fonctionnement de la machine à glaçons.....	55
Spécifications de l'alimentation en eau .....	43	Production de glaçons .....	56
Vacances ou longue période d'inutilisation .....	43	Qualité des glaçons.....	56
Raccordement à la canalisation d'eau .....	43	Problèmes de plomberie .....	57
Installation de la pompe de vidange.....	44	<b>ASSISTANCE OU SERVICE</b> .....	<b>57</b>
Raccordement au conduit vidange.....	47	Aux États-Unis.....	57
Nivellement.....	48	Au Canada .....	57
Système de filtration d'eau .....	49	Accessoires .....	58
<b>UTILISATION DE LA MACHINE À GLAÇONS</b> .....	<b>50</b>	<b>FEUILLE DE DONNÉES SUR LA PERFORMANCE</b> .....	<b>58</b>
Fonctionnement de la machine à glaçons.....	50	<b>GARANTIE</b> .....	<b>59</b>
Utilisation des commandes.....	50		
Bruits normaux.....	51		

# ICE MAKER SAFETY

## Your safety and the safety of others are very important.

We have provided many important safety messages in this manual and on your appliance. Always read and obey all safety messages.



This is the safety alert symbol.

This symbol alerts you to potential hazards that can kill or hurt you and others.

All safety messages will follow the safety alert symbol and either the word "DANGER" or "WARNING." These words mean:

**⚠ DANGER**

You can be killed or seriously injured if you don't immediately follow instructions.

**⚠ WARNING**

You can be killed or seriously injured if you don't follow instructions.

All safety messages will tell you what the potential hazard is, tell you how to reduce the chance of injury, and tell you what can happen if the instructions are not followed.

## IMPORTANT SAFETY INSTRUCTIONS

**WARNING:** To reduce the risk of fire, electric shock, or injury when using your ice maker, follow these basic precautions:

- Plug into a grounded 3 prong outlet.
- Do not remove ground prong.
- Do not use an adapter.
- Do not use an extension cord.
- Disconnect power before manually cleaning the inside components.
- Disconnect power before servicing.
- Replace all parts and panels before operating.
- Use two or more people to move and install ice maker.

## SAVE THESE INSTRUCTIONS

State of California Proposition 65 Warnings:

WARNING: This product contains one or more chemicals known to the State of California to cause cancer.

WARNING: This product contains one or more chemicals known to the State of California to cause birth defects or other reproductive harm.

# INSTALLATION INSTRUCTIONS

## Unpack the Ice Maker

**⚠ WARNING**

### Excessive Weight Hazard

**Use two or more people to move and install ice maker.  
Failure to do so can result in back or other injury.**

Tape or glue residue can also be easily removed by rubbing a small amount of liquid dish soap over the adhesive with your fingers. Wipe with warm water and dry.

- Do not use sharp instruments, rubbing alcohol, flammable fluids, or abrasive cleaners to remove tape or glue. Do not use chlorine bleach on the stainless steel surfaces of the ice maker. These products can damage the surface of your ice maker.

## Removing Packaging Materials

Remove tape and glue from your ice maker before using.

- To remove any remaining tape or glue from the exterior of the ice maker, rub the area briskly with your thumb.

## Cleaning Before Use

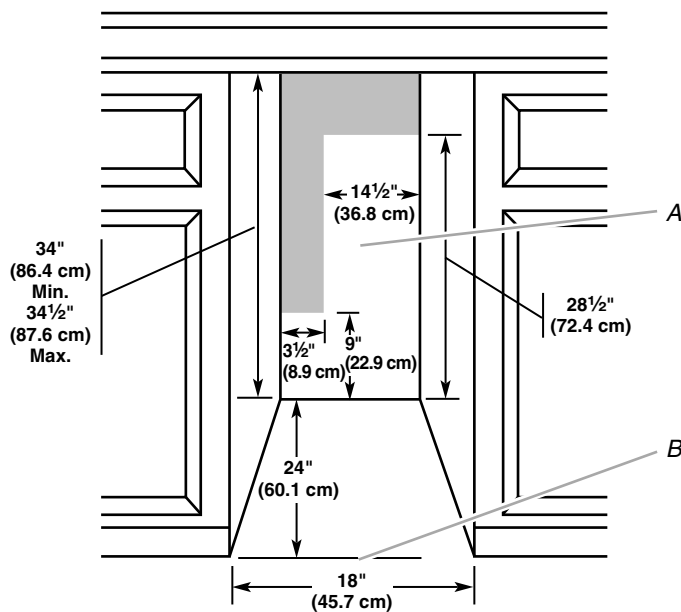
After you remove all of the packaging materials, clean the inside of your ice maker before using it. See the cleaning instructions in the "Ice Maker Care" section.

## Location Requirements

- To ensure proper ventilation for your ice maker, the front side must be completely unobstructed. The ice maker may be closed-in on the top and three sides, but the installation should allow the ice maker to be pulled forward for servicing if necessary.
- Installation of the ice maker requires a cold water supply inlet of 1/4" (6.35 mm) OD soft copper tubing with a shutoff valve or a Whirlpool supply line Part Number 8212547RB, and a Whirlpool approved drain pump, Part Number 1901A, only to carry the water to an existing drain.
- Choose a well ventilated area with temperatures above 55°F (13°C) and below 100°F (38°C). Best results are obtained between 70°F and 90°F (21°C and 32°C).
- This ice maker must be installed in an area sheltered from the elements, such as wind, rain, water spray or drips.
- When installing the ice maker under a counter, follow the recommended opening dimensions shown. Place electrical and plumbing fixtures in the recommended location as shown.

### NOTES:

- Check that the power supply cord is not damaged, or pinched or kinked between the ice maker and the cabinet.
- Check that the water supply line is not damaged, or pinched or kinked between the ice maker and the cabinet.
- Check that the drain line (on some models) is not damaged, or pinched or kinked between the ice maker and the cabinet.



A. Recommended location for electrical and plumbing fixtures

B. Floor level

- Choose a location where the floor is even. It is important for the ice maker to be level in order to work properly. If needed, you can adjust the height of the ice maker by changing the height of the leveling legs. See the "Leveling" section.

## Electrical Requirements

### ⚠ WARNING



#### Electrical Shock Hazard

**Plug into a grounded 3 prong outlet.**

**Do not remove ground prong.**

**Do not use an adapter.**

**Do not use an extension cord.**

**Failure to follow these instructions can result in death, fire, or electrical shock.**

Before you move your ice maker into its final location, it is important to make sure you have the proper electrical connection:

A 115 volt, 60 Hz., AC only, 15- or 20-amp electrical supply, properly grounded in accordance with the National Electrical Code and local codes and ordinances, is required.

It is recommended that a separate circuit, serving only your ice maker, be provided. Use a receptacle which cannot be turned off by a switch or pull chain.

**IMPORTANT:** If this product is connected to a GFCI (Ground Fault Circuit Interrupter) equipped outlet, nuisance tripping of the power supply may occur, resulting in loss of cooling. Ice quality may be affected. If nuisance tripping has occurred, and if the condition of the ice appears poor, dispose of it.

#### Recommended Grounding Method

The ice maker must be grounded. The ice maker is equipped with a power supply cord having a 3 prong grounding plug. The cord must be plugged into a mating, 3 prong, grounding-type wall receptacle, grounded in accordance with the National Electrical Code and local codes and ordinances. If a mating wall receptacle is not available, it is the personal responsibility of the customer to have a properly grounded, 3 prong wall receptacle installed by a qualified electrician.

---

## Water Supply Requirements

Check that the water supply lines are insulated against freezing conditions. Ice formations in the supply lines can increase water pressure and damage your ice maker or home. Damage from frozen supply lines is not covered by the warranty.

A cold water supply with water pressure of between 30 and 120 psi (207 and 827 kPa) is required to operate the ice maker. If you have questions about your water pressure, call a licensed, qualified plumber.

### Reverse Osmosis Water Supply

#### IMPORTANT:

- A reverse osmosis water filtration system is not recommended for ice makers that have a drain pump installed.
- For gravity drain systems only.
- The pressure of the water supply coming out of a reverse osmosis system going to the water inlet valve of the ice maker needs to be between 30 and 120 psi (207 and 827 kPa).

If a reverse osmosis water filtration system is connected to your cold water supply, the water pressure to the reverse osmosis system needs to be a minimum of 40 to 60 psi (276 to 414 kPa).

**NOTE:** The reverse osmosis system must provide 1 gal. (3.8 L) of water per hour to the ice maker for proper ice maker operation. If a reverse osmosis system is desired, only a whole-house capacity reverse osmosis system, capable of maintaining the steady water supply required by the ice maker, is recommended. Faucet capacity reverse osmosis systems are not able to maintain the steady water supply required by the ice maker.

If the water pressure to the reverse osmosis system is less than 40 to 60 psi (276 to 414 kPa):

- Check to see whether the sediment filter in the reverse osmosis system is blocked. Replace the filter if necessary.
- Allow the storage tank on the reverse osmosis system to refill after heavy usage.

If you have questions about your water pressure, call a licensed, qualified plumber.

---

## Vacation or Extended Time Without Use

- When you will not be using the ice maker for an extended period of time, turn off the water and power supply to the ice maker.
  - Check that the water supply lines are insulated against freezing conditions. Ice formations in the supply lines can increase water pressure and cause damage to your ice maker or home. Damage from freezing is not covered by the warranty.
- 

## Connect Water Supply

Read all directions before you begin.

#### IMPORTANT:

- Plumbing shall be installed in accordance with the International Plumbing Code and any local codes and ordinances.
- Use copper tubing or Whirlpool supply line, Part Number 8212547RP, and check for leaks.
- Install tubing only in areas where temperatures will remain above freezing.

### Tools Needed

Gather the required tools and parts before starting installation:

- Flat-blade screwdriver
- $\frac{7}{16}$ " and  $\frac{1}{2}$ " open-end wrenches or two adjustable wrenches
- $\frac{1}{4}$ " nut driver

**NOTE:** Do not use a piercing-type or  $\frac{3}{16}$ " (4.76 mm) saddle valve which reduces water flow and clogs more easily.

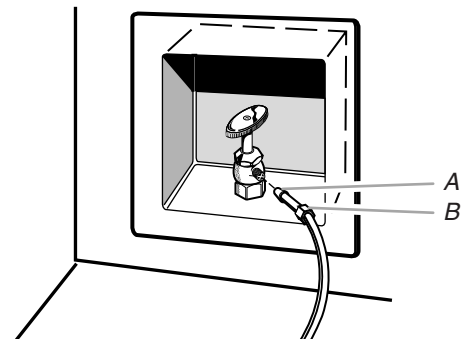
---

### Connecting the Water Line

---

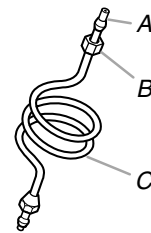
1. Turn off main water supply. Turn on nearest faucet long enough to clear line of water.
2. Using a  $\frac{1}{2}$ " copper supply line with a quarter-turn shutoff valve or the equivalent, connect the ice maker as shown.

**NOTE:** To allow sufficient water flow to the ice maker a minimum  $\frac{1}{2}$ " diameter home supply line is recommended.



A. Bulb  
B. Nut

3. Now you are ready to connect the copper tubing. Use  $\frac{1}{4}$ " (6.35 mm) OD soft copper tubing for the cold water supply.
  - Ensure that you have the proper length needed for the job. Be sure both ends of the copper tubing are cut square.
  - Slip compression sleeve and compression nut on copper tubing as shown. Insert end of tubing into outlet end squarely as far as it will go. Screw compression nut onto outlet end with adjustable wrench. Do not overtighten.



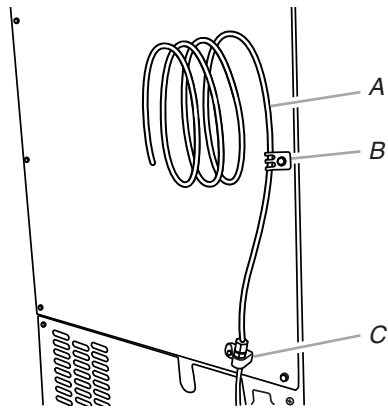
A. Compression sleeve  
B. Compression nut  
C. Copper tubing

4. Place the free end of the tubing into a container or sink, and turn on main water supply and flush out tubing until water is clear. Turn off shutoff valve on the water pipe.

**IMPORTANT:** Always drain the water line before making the final connection to the inlet of the water valve to avoid possible water valve malfunction.

5. Bend the copper tubing to meet the water line inlet which is located on the back of the ice maker cabinet as shown. Leave a coil of copper tubing to allow the ice maker to be pulled out of the cabinet or away from the wall for service.

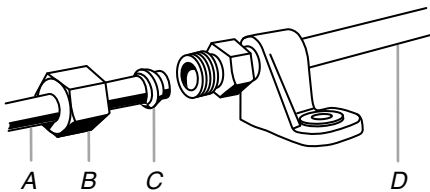
## Rear View



A. Copper tubing  
B. Water supply tube clamp  
C. Inlet water tube clamp and supply line connector

- Remove and discard the short, black plastic tube from the end of the water line inlet.
- Thread the nut onto the end of the tubing. Tighten the nut by hand. Then tighten it with a wrench two more turns. Do not overtighten.

**NOTE:** To avoid rattling, be sure the copper tubing does not touch the cabinet's side wall or other parts inside the cabinet.



A. Line to ice maker  
B. Nut (purchased)  
C. Ferrule (purchased)  
D. Supplied line from ice maker

- Install the water supply tube clamp around the water supply line to reduce strain on the coupling.
- Turn shutoff valve ON.
- Check for leaks. Tighten any connections (including connections at the valve) or nuts that leak.

## Drain Pump Installation (on some models)

**NOTE:** Connect drain pump to your drain in accordance with all state and local codes and ordinances. It may be desirable to insulate drain tube thoroughly up to drain inlet to minimize condensation on the drain tube. Insulated tube kit Part Number W10365792 is available for purchase. Drain pump is designed to pump water to a maximum height of 10 ft (3 m). Use only Whirlpool approved drain pump kit Part Number 1901A. Do not connect the outlet end of the drain tube to a closed pipe system to keep drain water from backing up into the ice maker.

### Kit Contains:

- Drain pump kit Part Number 1901A
- $\frac{5}{8}$ " ID x  $5\frac{1}{8}$ " drain tube (ice maker bin to drain pump reservoir inlet)
- $\frac{1}{2}$ " ID x 10 ft (3 m) drain tube hose (drain pump discharge to household drain)

- $\frac{5}{16}$ " ID x 32" (81 cm) vent tube (drain pump reservoir vent to ice maker cabinet back)
- Cable clamps (secures vent tube to back of ice maker) (3)
- #8-32 x  $\frac{3}{8}$ " pump mounting screws (secures drain pump to baseplate and clamps to back of ice maker) (5)
- $\frac{5}{8}$ " small adjustable hose clamp (secures vent to drain pump)
- $\frac{7}{8}$ " large adjustable hose clamp, (secures drain tube to ice maker bin and drain pump reservoir inlet) (3)
- Rear panel (2)
- Instruction sheet

## If Ice Maker Is Currently Installed

**NOTE:** If ice maker is not installed, please proceed to "Drain Pump Installation" section.

- Push the selector switch to the Off position.

## ⚠ WARNING



### Electrical Shock Hazard

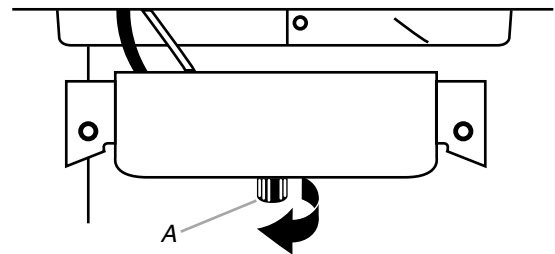
**Disconnect power before servicing.**

**Replace all parts and panels before operating.**

**Failure to do so can result in death or electrical shock.**

- Unplug ice maker or disconnect power.
- Turn off water supply. Wait 5 to 10 minutes for the ice to fall into the storage bin. Remove all ice from bin.
- Unscrew the drain cap from the bottom of the water pan located inside the storage bin. Allow water to drain completely. Replace drain cap. See "Drain Cap" illustration.

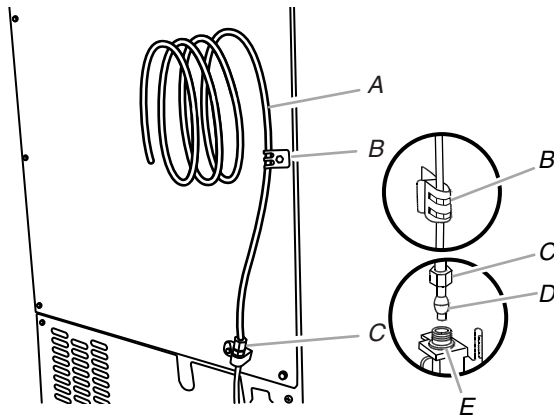
### Drain Cap



A. Drain cap

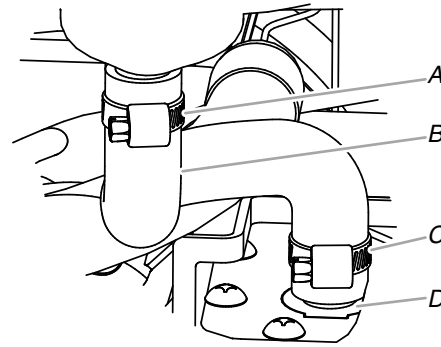
- If ice maker is built into cabinets, pull ice maker out of the opening.
- Disconnect water supply line. See "Water Supply Line" illustration.

## Water Supply Line



- A. 1/4" copper tubing  
 B. Cable clamp  
 C. 1/4" compression nut  
 D. Ferrule (sleeve)  
 E. Ice maker connection

## Drain Tube

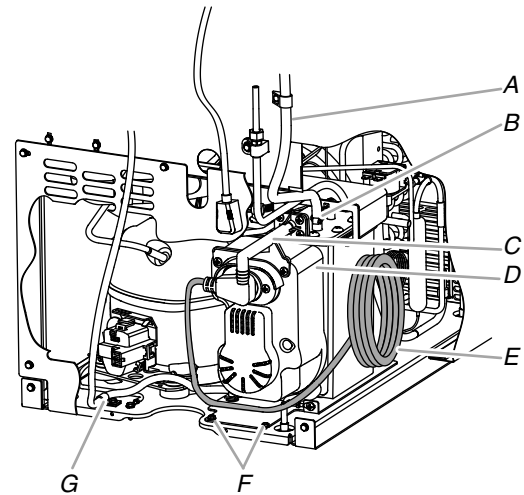


- A. 7/8" adjustable hose clamp  
 B. Drain tube (ice bin to drain pump)  
 C. 7/8" adjustable hose clamp  
 D. Drain pump reservoir inlet

- Install vent tube (5/16" ID x 32" [81 cm]) to drain pump reservoir vent. Use one 5/8" small adjustable clamp, supplied. See "Parts Locations" illustration.

**NOTE:** Do not install household drain tube at this time.

## Parts Locations



- A. Vent tube  
 B. 5/8" hose clamp  
 C. Drain pump discharge tube  
 D. Drain pump  
 E. Ice maker unit power cord  
 F. #8-32 x 3/8" pump mounting screws  
 G. Drain pump power cord, clamp and screw

- Remove power cord clamp and ground screw attached to ice maker power cord, which is mounted to the unit base. See "Parts Locations" illustration.

**NOTE:** Clamp and screw will be reused.

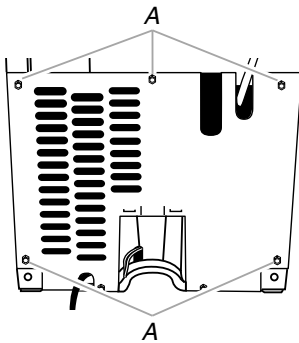
- Slide drain pump into the ice maker base on the right side. The pump mounting tab should slip into the rectangular slot in the ice maker base. It will be necessary to tip the pump slightly to slip into the slot. See "Drain Pump Mounting Tab Slot" illustration.

## Drain Pump Installation

**NOTE:** Do not kink, smash or damage tubes or wires during installation.

- Unplug ice maker or disconnect power.
- Remove rear panel. See "Rear Panel" illustration for 5 screw locations. Pull rear panel away from the drain tube and discard.

## Rear Panel



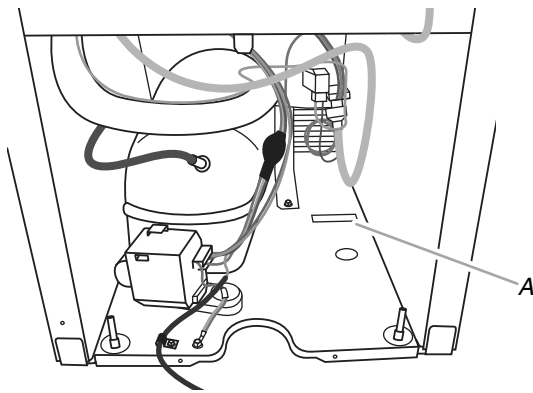
A. Screw locations

- Remove the old drain tube and clamp attached to the ice maker bin.
- Install new drain tube (5/8" ID x 5 1/8") from ice maker bin to drain pump reservoir inlet using new adjustable clamps. See "Drain Tube" illustration.

### NOTES:

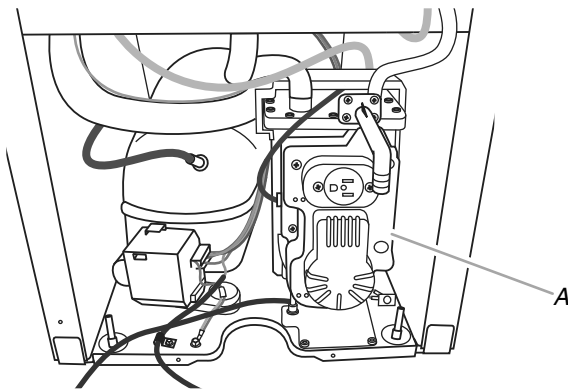
- Do not kink.
- Trim tube length, if required.

## Drain Pump Mounting Tab Slot



A. Mounting tab slot

## Drain Pump Installed

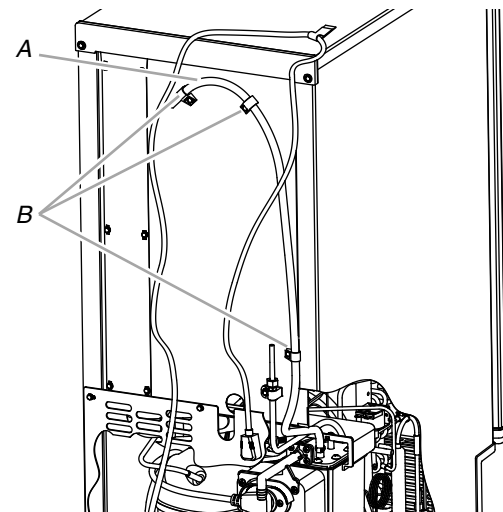


A. Drain pump installed

8. Align the 2 screw holes at the rear of the pump. Use two #8-32 x  $\frac{3}{8}$ " screws, supplied. See "Parts Locations" illustration.
9. Connect drain tube to ice maker bin outlet ( $\frac{5}{8}$ " ID), using  $\frac{7}{8}$ " adjustable clamp, supplied. See "Drain Tube" illustration.
10. Coil ice maker power cord into a 4" (10.2 cm) diameter coil. Wrap electrical tape around the power cord in several places to keep the cord in a coil. Locate coiled power cord between the drain pump and side of enclosure and plug into the receptacle of the drain pump. See "Parts Locations" illustration.
11. Attach the drain pump power cord to ice maker unit base with clamp and screw (removed in Step 6) that was used to attach ice maker power cord. See "Parts Locations" illustration.
12. Place new rear panel (small one for 15" ice makers, large one for 18") against the back of the ice maker. Route the vent tube and drain pump discharge tube through cutouts in the rear panel.
13. Secure rear panel with original screws. See "Rear Panel" illustration.
14. Secure vent tube to back of ice maker using 3 clamps and three #8-32 x  $\frac{3}{8}$ " screws, supplied. See "Vent Tube" illustration.

## Vent Tube

**NOTE:** Do not pinch, kink or damage the vent tube. Check that it is not damaged, or pinched or kinked between the cabinet and the ice maker.



A. Vent tube  
B. Clamps and screws

15. Attach  $\frac{1}{2}$ " ID x 10 ft (3 m) drain tube to pump discharge tube. See "Parts Locations" illustration.
16. Connect ice maker to water supply and install ice maker as specified by the product installation instructions.
17. Check all connections for leaks.

## **⚠ WARNING**



### Electrical Shock Hazard

**Plug into a grounded 3 prong outlet.**

**Do not remove ground prong.**

**Do not use an adapter.**

**Do not use an extension cord.**

**Failure to follow these instructions can result in death, fire, or electrical shock.**

18. Plug in ice maker or reconnect power.
19. Turn on ice maker.
20. Wait for rinsing cycle, approximately 5 minutes, to be sure the ice maker is operating properly.



## Drain Connection

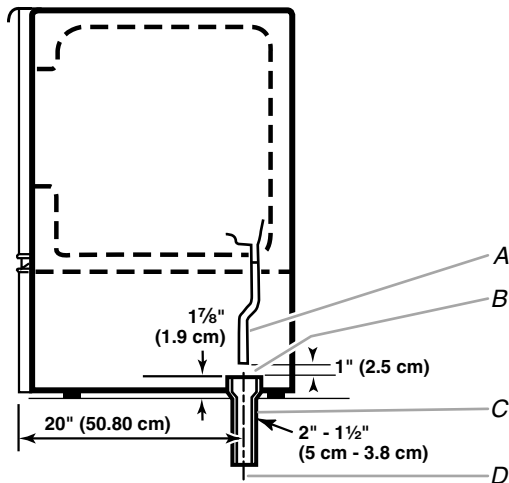
### Gravity Drain System

Connect the ice maker drain to your drain in accordance with all state and local codes and ordinances. If the ice maker is provided with a gravity drain system, follow these guidelines when installing drain lines. This will help keep water from flowing back into the ice maker storage bin and potentially flowing onto the floor, causing water damage.

- Drain lines must have a minimum of  $\frac{5}{8}$ " (15.88 mm) inside diameter.
- Drain lines must have a 1" drop per 48" (2.54 cm drop per 122 cm) of run or  $\frac{1}{4}$ " drop per 12" (6.35 mm per 30.48 cm) of run and must not have low points where water can settle.
- The floor drains must be large enough to accommodate drainage from all drains.
- The ideal installation has a standpipe with a  $1\frac{1}{2}$ " (3.81 cm) to 2" (5.08 cm) PVC drain reducer installed directly below the outlet of the drain tube as shown. You must maintain a 1" (2.54 cm) air gap between the drain hose and the standpipe.
- Do not connect the outlet end of the drain tube to a closed pipe system to keep drain water from backing up into the ice maker.

**IMPORTANT:** A drain pump is necessary when a floor drain is not available. A Drain Pump kit, Part Number 1901A, is available for purchase.

#### Side View



A. Drain hose  
B. 1" (2.54 cm) air gap  
C. PVC drain reducer

D. Center of drain should be 20" (50.8 cm) from front of door, with or without the  $\frac{3}{4}$ " (1.91 cm) panel on the door. The drain should also be centered from left to right ( $8\frac{13}{16}$ " from either side of the ice maker).

### Drain Pump System (on some models)

#### IMPORTANT:

- Connect the ice maker drain to your drain in accordance with the International Plumbing Code and any local codes and ordinances.
- The drain pump discharge line must terminate at an open sided drain.
  - Maximum rise 10 ft (3.1 m)
  - Maximum run 100 ft (30.5 m)

#### NOTES:

- If the drain hose becomes twisted and water cannot drain, your ice maker will not work.
- It may be desirable to insulate the drain line thoroughly up to the drain inlet. An Insulation Sleeve kit, Part Number W10365792, is available for purchase.
- Do not connect the outlet end of the drain tube to a closed pipe system to keep drain water from backing up into the ice maker.

### Connecting the Drain

After ensuring that the drain system is adequate, follow these steps to properly place the ice maker:

## ⚠ WARNING



### Electrical Shock Hazard

**Plug into a grounded 3 prong outlet.**

**Do not remove ground prong.**

**Do not use an adapter.**

**Do not use an extension cord.**

**Failure to follow these instructions can result in death, fire, or electrical shock.**

1. Plug into a grounded 3 prong outlet.

## ⚠ WARNING

### Excessive Weight Hazard

**Use two or more people to move and install ice maker.**

**Failure to do so can result in back or other injury.**

2. **Style 1**—For gravity drain system, push the ice maker into position so that the ice maker drain tube is positioned over the PVC drain reducer. See "Gravity Drain System."  
**Style 2**—For drain pump system connect the drain pump outlet hose to the drain. See "Drain Pump System."
3. Recheck the ice maker to be sure that it is level. See "Leveling."
4. If it is required by your local sanitation code, seal the cabinet to the floor with an approved caulking compound after all water and electrical connections have been made.

## Leveling

It is important for the ice maker to be level in order to work properly. Depending upon where you install the ice maker, you may need to make several adjustments to level it. You may also use the leveling legs to lower the height of the ice maker for undercounter installations.

#### Tools Needed

Gather the required tools and parts before starting installation.

- 9" level
- Adjustable wrench

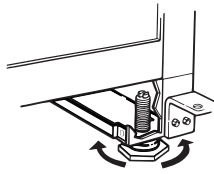
**NOTE:** It is easier to adjust the leveling legs if you have another person to assist you.

1. Move the ice maker to its final location.

**NOTE:** If this is a built-in installation, move the ice maker as close as possible to the final location.

2. Place the level on top of the product to see whether the ice maker is level from front to back and side to side.
3. Push up on the top front of the ice maker, and then locate the leveling screws that are on the bottom front of the ice maker.
4. Using an adjustable wrench, change the height of the legs as follows:
  - Turn the leveling leg to the right to lower that side of the ice maker.
  - Turn the leveling leg to the left to raise that side of the ice maker.

**NOTE:** The ice maker should not wobble. Use shims to add stability when needed.



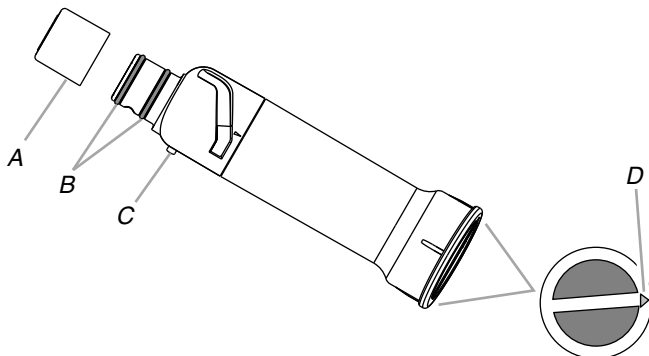
5. Push up on the top rear of the ice maker and locate the leveling legs that are on the bottom rear of the ice maker.
6. Follow the instructions in Step 4 to change the height of the legs.
7. Use the level to recheck the ice maker to see that it is even from front to back and side to side. If the ice maker is not level, repeat steps 2 to 5. If the ice maker is level, go to the "Connect Water Supply" section.

## Water Filtration System

Do not use with water that is microbiologically unsafe or of unknown quality without adequate disinfection before or after the system. Systems certified for cyst reduction may be used on disinfected waters that may contain filterable cysts.

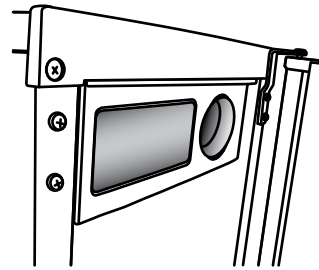
### Install the Water Filter

1. Locate the accessory packet in the ice maker and remove the water filter.
2. Take the water filter out of its packaging and remove the cover from the O-rings. Be sure the O-rings are still in place after the cover is removed.

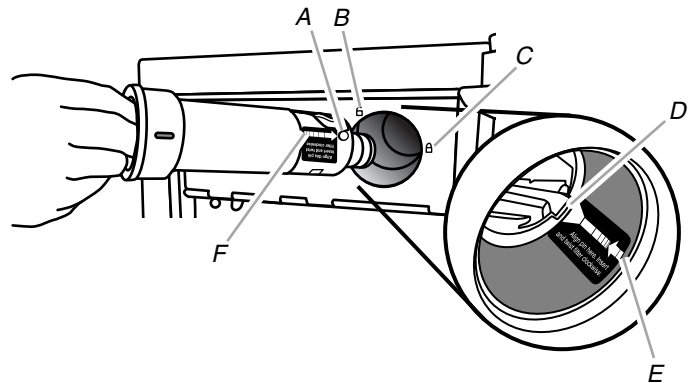


A. Cover  
B. O-rings  
C. Alignment pin  
D. Alignment arrow

3. The water filter compartment is located in the right-hand side of the ice maker control panel.



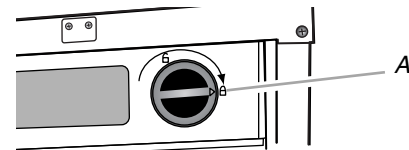
4. Using the arrow pointing to the alignment pin on the side of the filter and the arrow inside the control housing, align the alignment pin with the cutout notch and insert the filter into the housing.



A. Alignment pin  
B. Unlocked symbol  
C. Locked symbol  
D. Cutout notch inside control housing  
E. Arrow pointing to cutout notch  
F. Arrow pointing to alignment pin

5. Turn the filter clockwise until it locks into the housing. Ensure that the alignment arrow on the filter head aligns with the locked symbol on the control box housing.

**NOTE:** If the filter is not correctly locked into the housing, the ice maker will not produce ice.



A. Alignment arrow aligned with locked symbol

### The Water Filter Status Light

The water filter status lights will help you know when to change your water filter.

- The "Order Filter" status light will be illuminated when it is time to order a replacement filter.
- The "Replace Filter" status light will be illuminated when it is time to replace the filter.
- Replacing the disposable water filter with a new filter will automatically reset the filter status tracking feature. See "Using the Controls."

#### NOTES:

- "Replace Filter" will remain illuminated if a filter is not installed.
- The "Filter" status light will flash if the filter is not correctly installed or there is an obstruction in the water line.

## Replace the Water Filter

To purchase a replacement water filter, see “Accessories.”

Replace the disposable water filter when indicated on the water filter status display or at least every 9 months. If the ice making rate decreases before the Replace Filter light illuminates, then replace the filter.

1. Locate the water filter compartment in the right-hand side of the control housing. See Step 3 in the “Install Water Filter” section.

2. Turn the water filter counterclockwise (to the left), and pull it straight out of the compartment.

**NOTE:** There may be some water in the filter. Some spilling may occur.

3. Install the replacement water filter by following steps 2 through 5 in the “Install the Water Filter” section.

## ICE MAKER USE

### How Your Ice Maker Works

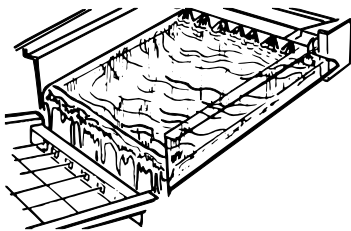
When you first start your ice maker, the water pan will fill and the system will rinse itself before starting to make ice. The rinsing process takes about 5 minutes.

Under normal operating conditions, the ice maker will cycle at preset temperatures. The ice level sensor located in the ice storage bin will monitor the ice levels.

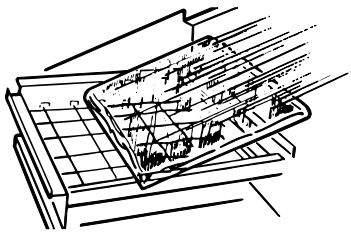
**IMPORTANT:** If the water supply to the ice maker is turned off, be sure to set the ice maker control to OFF.

### The Ice Making Process

1. Water is constantly circulated over a freezing plate. As the water freezes into ice, the minerals in the water are rejected. This produces a sheet of ice with a low mineral content.

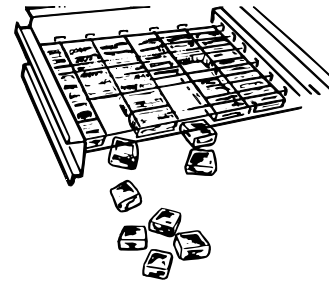


2. When the desired thickness is reached, the ice sheet is released and slides onto a cutter grid. The grid divides the sheet into individual cubes.



3. The water containing the rejected minerals is drained after each freezing cycle.
4. Fresh water enters the machine for the next ice making cycle.

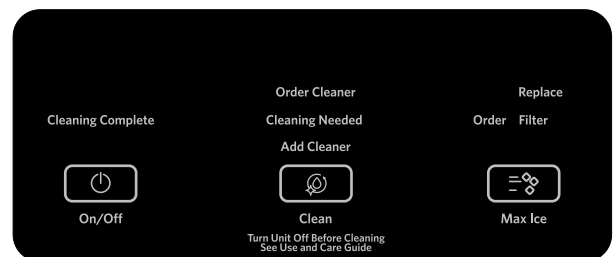
5. Cubes fall into the storage bin. When the bin is full, the ice maker shuts off automatically and restarts when more ice is needed. The ice bin is not refrigerated, and some melting will occur. The amount of melting varies with room temperature.



**NOTE:** As the room and water temperatures vary, so will the amount of ice produced and stored. This means that higher operating temperatures result in reduced ice production.

### Using the Controls

1. To start ice production, press ON/OFF.
2. To stop ice maker operation, press ON/OFF.



### NOTES:

- Pressing the On/Off button does not shut off power to the ice maker.
- Allow 24 hours to produce the first batch of ice. Discard the first 2 batches produced.

---

## Max Ice Mode

---

Select the Max Ice feature when you have an upcoming need for a large amount of ice and the ice bin is low or empty. Max Ice mode will produce a greater quantity of ice in a 24-hour period.

- Press MAX ICE while the ice maker is on. The indicator light will illuminate.
- Press MAX ICE again to turn off the Max Ice feature. The indicator light will turn off.
- The Max Ice mode will be on when you first turn on the product. It will turn off after 24 hours. To turn Max Ice back on, press MAX ICE.

---

## Clean

---

It is recommended that you clean the ice maker when the "Cleaning Needed" light is illuminated or 9 months has elapsed or ice production decreases significantly. To clean your ice maker, see "Ice Maker System" in the "Cleaning" section.

---

## Door Ajar Alarm

---

The Door Ajar Alarm feature sounds an alarm when the ice maker door is open for 5 minutes. The alarm will repeat every 2 minutes. Close the door to turn off. The feature then resets and will reactivate when the door is left open again for 5 minutes.

---

## Normal Sounds

Your new ice maker may make sounds that are not familiar to you. Because the sounds are new to you, you might be concerned about them. Most of the new sounds are normal. Hard surfaces such as floors, walls and cabinets can make the sounds seem louder than they actually are. The following describes the kinds of sounds that might be new to you and what may be making them.

- You will hear a buzzing sound when the water valve opens to fill the water pan for each cycle.
- Rattling noises may come from the flow of the refrigerant or the water line. Items stored on top of the ice maker can also make noises.
- The high-efficiency compressor may make a pulsating or high pitched sound.
- Water running over the evaporator plate may make a splashing sound.

- Water running from the evaporator plate to the water pan may make a splashing sound.
- As each cycle ends, you may hear a gurgling sound due to the refrigerant flowing in your ice maker.
- You may hear air being forced over the condenser by the condenser fan.
- During the harvest cycle, you may hear a "thud" when the ice sheet slides from the evaporator onto the cutter grid.
- When you first start the ice maker, you may hear water running continuously. The ice maker is programmed to run a rinse cycle before it begins to make ice.
- If the ice maker is connected to a water supply pressure in excess of 60 psi, you may hear a loud sound during water filling associated with the flow of water through the inlet valve. Call a licensed, qualified plumber to determine the best method to reduce the supply water pressure (50 psi is recommended).

---

## ICE MAKER CARE

---

### Cleaning

The ice making system and the air cooled condenser need to be cleaned regularly for the ice maker to operate at peak efficiency and to avoid premature failure of system components. See the "Ice Maker System" and the "Condenser" sections.

---

### Exterior Surfaces

---

Wash the exterior enamel surfaces and gaskets with warm water and mild soap or detergent. Wipe and dry. Regular use of a good household appliance cleaner and wax will help maintain the finish. Do not use abrasive cleaners on enamel surfaces as they may scratch the finish.

For products with a stainless steel exterior, use a clean sponge or soft cloth and a mild detergent in warm water. Do not use abrasive or harsh cleaners. Do not use chlorine bleach on the stainless steel surfaces.

---

### Ice Maker System

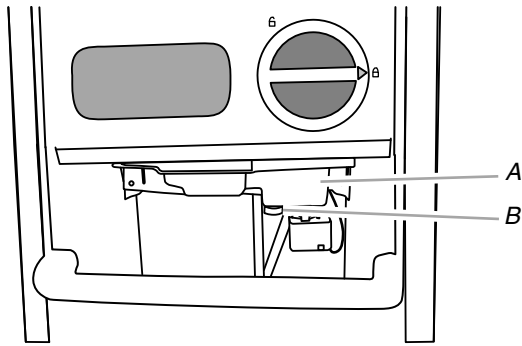
---

Minerals that are removed from water during the freezing cycle will eventually form a hard scaly deposit in the water system. Cleaning the system regularly helps remove the mineral scale buildup. How often you need to clean the system depends upon how hard your water is. With hard water of 15 to 20 grains/gal. (4 to 5 grains/liter), you may need to clean the system as often as every 9 months.

**NOTE:** Use one 16 oz (473 mL) bottle of approved ice maker cleaner. To order, see "Accessories."

1. Press the ON/OFF button.
2. Wait 5 to 10 minutes for the ice to fall into the storage bin. Remove all ice from the storage bin.
3. Unscrew the drain cap from the bottom of the water pan located inside the storage bin as shown. Allow the water to drain completely.
4. Replace the drain cap securely on the water pan. If the drain cap is loose, water will empty from the water pan and you will have either thin ice or no ice.
5. Read and follow all handling information on the cleaner bottle before completing the steps below. Use one 16 oz (473 mL) bottle of approved ice maker cleaner.

- Pour one bottle of solution into the water pan. Fill the bottle twice with tap water and pour it into the water pan.



A. Water pan  
B. Drain cap

- Press the CLEAN button. See "Using the Controls." The Clean button will blink, indicating that the cleaning cycle is in process. When the "Cleaning Complete" light is illuminated (approximately 70 minutes), the cleaning cycle is complete. During the cleaning cycle, the system will both clean and rinse itself.
  - After the cleaning cycle is complete, remove the drain cap from the water pan. Look for any cleaning solution left in the water pan. If cleaning solution drains from the water pan, you should run the clean cycle again. Be sure to refill the water pan with cleaner before starting the clean cycle again. Be sure to replace the drain cap securely on the water pan. If the drain cap is loose, water will empty from the water pan and you will have either thin ice or no ice.
- NOTE:** Severe scale buildup may require repeated cleaning with a fresh quantity of cleaning solution.
- Press the ON/OFF button to resume ice production.

## Condenser

### A Dirty or Clogged Condenser

- Obstructs proper airflow.
- Reduces ice making capacity.
- Causes higher than recommended operating temperatures which may lead to component failure.

## ⚠ WARNING



### Electrical Shock Hazard

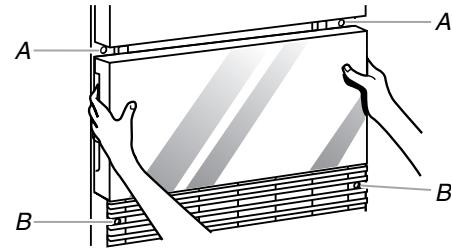
Disconnect power before cleaning.

Replace all parts and panels before operating.

Failure to do so can result in death or electrical shock.

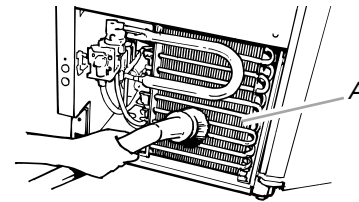
- Unplug ice maker or disconnect power.
- Remove the 2 screws in the lower access panel and the 2 screws from the base grille area of the front panel support.

- Pull the bottom forward and then pull down to remove the lower access panel.



A. Lower access panel screws  
B. Base grille screws

- Remove dirt and lint from the condenser fins and the unit compartment with a brush attachment on a vacuum cleaner.

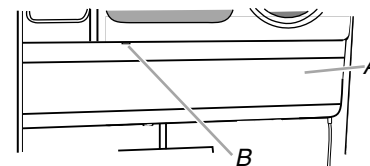


A. Condenser fins

- Replace the lower access panel using the 4 screws.
- Plug in ice maker or reconnect power.

## Interior Components

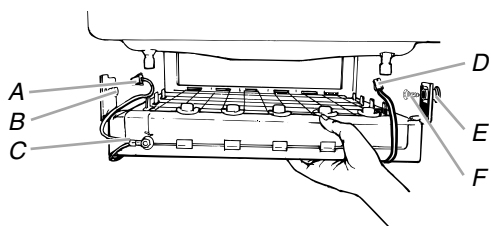
- Unplug ice maker or disconnect power.
- Open the storage bin door and remove any ice that is in the bin.
- Remove the drain cap from the water pan and drain thoroughly. Replace the drain cap securely on the water pan. If the drain cap is loose, water will empty from the water pan, and you will have either thin ice or no ice.
- Remove the screw from the cutter grid cover.
- Unplug the wiring harness from the left side of the cutter grid.



A. Cutter grid cover  
B. Screw

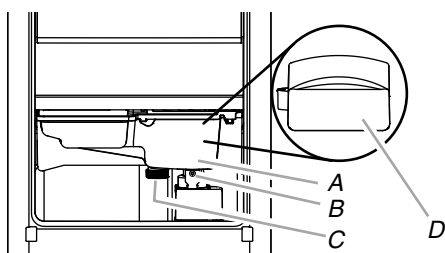
- Unplug the ice level sensor from the right side of the cutter grid. Pull the ice level sensor down and forward away from the cutter grid.
- Remove the right-hand and left-hand screws. Lift the cutter grid up and out.

**NOTE:** Make sure the plastic spacer from the right-hand side of the cutter grid bracket stays with the cutter grid.



- A. Cutter grid harness
- B. Screw
- C. Cutter grid
- D. Ice level sensor harness
- E. Plastic spacer
- F. Screw

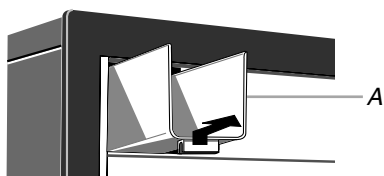
8. Remove the mounting screw that holds the water pan in place. Pull out on the front of the water pan.
9. Disconnect the pump bracket from the water pan and unplug the water pan drain pump.



- A. Water pan
- B. Water pan screw
- C. Drain cap
- D. Drain pump cover

10. Remove, clean and replace the ice scoop and ice scoop holder.
- NOTE:** On some models, the ice scoop holder is located in the upper left of the unit, and on other models, the ice scoop holder is located in the lower left of the unit.

- After removing the ice scoop, remove the holder by removing the 2 screws.
- NOTE:** On some models, remove the holder by lifting up on the ice scoop holder and then out.
- Wash the ice scoop holder along with the other interior components using the following instructions.
- Replace the ice scoop holder by replacing the screws or on some models, pushing in on the holder and then down.



A. Ice scoop holder

11. Wash the interior components (cutter grid, exterior of hoses, and water pan) and the storage bin, door gasket, ice scoop, and ice scoop holder with mild soap or detergent and warm water. Rinse in clean water. Then clean the same parts with a solution of 1 tbs (15 mL) of household bleach in 1 gal. (3.8 L) warm water. Rinse again thoroughly in clean water.

**NOTE:** Do not remove hoses. Do not wash plastic parts in dishwasher. They cannot withstand temperatures above 145°F (63°C).

12. To replace the water pan, set the water pan inside the ice bin. Hook up the water pan pump. Snap the pump bracket back onto the water pan and place back into position. Secure the water pan by replacing the mounting screw.

13. Check the following:

- Drain cap from the water pan is securely in place. If the drain cap is loose, water will empty from the water pan, and you will have either thin ice or no ice.
- Hose from water pan is inserted into storage bin drain opening.

14. Slide the cutter grid back into place and secure it by replacing the right-hand screw and plastic spacer. Then tighten the left-hand screw. Reconnect the cutter grid harness and the ice level sensor harness.
15. Replace the cutter grid cover using the screw that was removed earlier.
16. Gently wipe the control panel with a soft, clean dishcloth using warm water and a mild liquid dish detergent.
17. Plug in ice maker or reconnect power.
18. After cleaning, make sure that all controls are set properly and that no control indicators are flashing.

## Vacation and Moving Care

### ⚠ WARNING



#### Electrical Shock Hazard

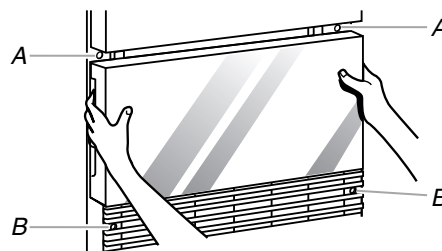
**Disconnect power before servicing.**

**Replace all parts and panels before operating.**

**Failure to do so can result in death or electrical shock.**

#### To Shut Down the Ice Maker:

1. Unplug ice maker or disconnect power.
2. Remove all ice from storage bin.
3. Shut off the water supply.
4. Remove the 2 screws in the lower access panel and the 2 screws from the base grille area of the front panel support. Pull forward to remove the lower access panel.



- A. Lower access panel screws
- B. Base grille screws

5. Disconnect the inlet and outlet lines to water valve. Allow these lines to drain and then reconnect to the valve.
6. Replace lower access panel and screws.
7. Drain water from water pan by removing the drain cap.
8. If the room temperature will drop below 32°F (0°C), water must be removed from the drain line.

#### For Ice Makers with a Drain Pump Installed:

- Plug in ice maker or reconnect power.
- Turn ice maker off and remove all remaining ice from ice bin.

- Pour 1 qt (0.95 L) of water into the ice bin near the drain and let the ice maker stand for approximately 5 minutes. This will allow the water in the bin to drain into the drain pump so that the pump will remove the remaining water from the ice bin and the drain pump.
- Unplug ice maker or disconnect power.

9. Before using again, clean the ice maker and storage bin.
10. Plug into a grounded 3 prong outlet.


**NOTE:** All components of the ice maker are permanently lubricated at the factory. They should not require any additional oiling throughout the normal life of the machine.

## TROUBLESHOOTING

Try the solutions suggested here first in order to avoid the cost of an unnecessary service call.

### Ice Maker Operation

**⚠ WARNING**



**Electrical Shock Hazard**

**Plug into a grounded 3 prong outlet.**

**Do not remove ground prong.**

**Do not use an adapter.**

**Do not use an extension cord.**

**Failure to follow these instructions can result in death, fire, or electrical shock.**

PROBLEM	RECOMMENDED SOLUTIONS
<b>Ice Maker Will Not Operate</b>	<p>Check that it is plugged into a grounded 3 prong outlet.</p> <p>Check that the control is turned on. See “Using the Controls.”</p> <p>Replace the fuse or reset the circuit breaker.</p> <p><b>NOTE:</b> If problems continue, contact an electrician.</p> <p>Room temperature must be above 55°F (13°C). Otherwise, bin thermostat may sense cold room temperature and shut off even though the bin is not full of ice. The ice maker may not restart once it does shut off.</p> <p>If there was a large amount of water added to the ice maker, wait a few minutes for the drain pump to clear. If there is still water in the bin, check to see whether the drain hose is kinked.</p> <p>For models with drain pumps, check that the drain hose is not damaged, or kinked or pinched between cabinet and ice maker. Use only Whirlpool approved drain pump kit, Part Number 1901A.</p>
<b>Ice Maker Seems Noisy</b>	<p><b>Is the water in the reservoir overflowing?</b> This is normal. This overflow helps to purge minerals that were removed from the water during the ice making process.</p> <p><b>Is there a “whooshing” sound?</b> Check the following things:</p> <ul style="list-style-type: none"> <li>■ Check that the water supply is hooked up and turned on.</li> <li>■ Check that the drain cap is tight and the water drain pan pump is securely attached to the water pan.</li> </ul> <p><b>Is there ice between the evaporator plate and the cutting grid?</b> Check that the ice maker is level. See “Leveling.” If the ice maker is level, and the problem persists, run a cleaning cycle. See “Cleaning.”</p> <p>If the ice maker is connected to a water supply pressure in excess of 60 psi, you may hear a loud sound during water filling associated with the flow of water through the inlet valve. Call a licensed, qualified plumber to determine the best method to reduce the supply water pressure (50 psi is recommended).</p>

---

## Ice Production

**⚠ WARNING**



**Electrical Shock Hazard**

**Disconnect power before servicing.**

**Replace all parts and panels before operating.**

**Failure to do so can result in death or electrical shock.**

---

PROBLEM	RECOMMENDED SOLUTIONS
<b>Ice Maker Runs But Produces No Ice</b>	<p>Check that the control is turned on.</p> <p>Check that the water supply is properly connected and turned on.</p> <p>If the drain cap is loose, water will empty from the water pan, and you will have either thin ice or no ice. Tighten the drain cap.</p> <p>Clean the drain tube.</p> <p>Check that there are no kinks in the drain line.</p>
<b>Ice Maker Runs But Produces Very Little Ice</b>	<p><b>Is the accelerated ice production feature turned on?</b> This feature increases the ice production rate to provide you with more ice in the same amount of time. See “Using the Controls.”</p> <p>Room temperatures of more than 90°F (32°C) will normally reduce ice production.</p> <p>Dirt or lint may be blocking the airflow through the condenser. See “Condenser” in the “Cleaning” section.</p> <p>If there is white scale buildup in the ice maker’s water or freezing system, you should clean the ice maker. See “Interior Components” in the “Cleaning” section.</p> <p>If the drain cap is loose, water will empty from the water pan, and you will have either thin ice or no ice. Tighten the drain cap.</p> <p>Ensure that the cutter grid is securely in place and that its harness plug is connected. See “Interior Components” section of “Cleaning” for instructions on cutter grid removal.</p> <p>Check that water filter is properly installed.</p>

---

## Ice Quality

---

PROBLEM	RECOMMENDED SOLUTIONS
<b>Off Taste, Odor or Gray Color in the Ice</b>	<p><b>Is there unusually high mineral content in the water supply?</b> The water may need to be treated.</p> <p><b>Is there mineral scale buildup?</b> Clean your ice maker. See “Ice Maker System” in the “Cleaning” section.</p> <p>Do not store any foods in the ice bin.</p> <p>Check that all packaging materials were removed at the time of installation.</p>
<b>Thin, Soft or Clumps of Ice</b>	<p><b>Is there unusually high mineral content in the water supply?</b> The water may need to be treated.</p> <p><b>Is there mineral scale buildup?</b> Clean your ice maker. See “Ice Maker System” in the “Cleaning” section.</p> <p><b>Are there clumps of ice in the bin?</b> If ice is not used regularly, it will melt and form clumps. Break the clumps with the ice scoop provided.</p>

---



---

## Plumbing Problems

### **⚠ WARNING**

#### **Excessive Weight Hazard**

**Use two or more people to move and install ice maker.  
Failure to do so can result in back or other injury.**

---

<b>PROBLEM</b>	<b>RECOMMENDED SOLUTIONS</b>
<b>Water Not Entering Drain Properly</b>	<b>Is the drain hose aligned over the drain?</b> Move the ice maker to align the drain. See “Connect Water Supply.” <b>NOTE:</b> Service technicians cannot repair plumbing problems outside of the ice maker. Call a licensed, qualified plumber.

---

## ASSISTANCE OR SERVICE

Before calling for assistance or service, please check “Troubleshooting.” It may save you the cost of a service call. If you still need help, follow the instructions below.

When calling, please know the purchase date and the complete model and serial number of your appliance. This information will help us to better respond to your request.

### **If you need replacement parts**

If you need to order replacement parts, we recommend that you use only factory specified parts. These factory specified parts will fit right and work right because they are made with the same precision used to build every new KITCHENAID® appliance.

To locate factory specified parts in your area, call us or your nearest KitchenAid designated service center.

---

### In the U.S.A.

Call the KitchenAid Customer eXperience Center toll free: **1-800-422-1230** or visit our website at **www.kitchenaid.com**.

#### **Our Consultants Provide Assistance With:**

- Features and specifications on our full line of appliances.
- Installation information.
- Use and maintenance procedures.
- Accessory and repair parts sales.
- Specialized customer assistance (Spanish speaking, hearing impaired, limited vision, etc.).
- Referrals to local dealers, repair parts distributors and service companies. KitchenAid designated service technicians are trained to fulfill the product warranty and provide after-warranty service, anywhere in the United States.

To locate the KitchenAid designated service company in your area, you can also look in your telephone directory Yellow Pages.

#### **For Further Assistance**

If you need further assistance, you can write to KitchenAid with any questions or concerns at:

KitchenAid Brand Home Appliances  
Customer eXperience Center  
553 Benson Road  
Benton Harbor, MI 49022-2692

Please include a daytime phone number in your correspondence.

---

### In Canada

Call the KitchenAid Canada Customer eXperience Centre toll free: **1-800-807-6777** or visit our website at **www.kitchenaid.ca**.

#### **Our Consultants Provide Assistance With:**

- Features and specifications on our full line of appliances.
- Use and maintenance procedures.
- Accessory and repair parts sales.
- Referrals to local dealers, repair parts distributors and service companies. KitchenAid Canada designated service technicians are trained to fulfill the product warranty and provide after-warranty service, anywhere in Canada.

#### **For Further Assistance**

If you need further assistance, you can write to KitchenAid Canada with any questions or concerns at:

Customer eXperience Centre  
KitchenAid Canada  
200 - 6750 Century Ave.  
Mississauga, Ontario L5N 0B7

Please include a daytime phone number in your correspondence.

## Accessories

To order accessories, in the U.S.A., visit our website [www.kitchenaid.com/accessories](http://www.kitchenaid.com/accessories) or call 1-800-901-2042.  
 In Canada, visit our website [www.whirlpoolparts.ca](http://www.whirlpoolparts.ca) or call 1-800-807-6777.

### Water Filter

Order Part Number F2WC9I1 or ICE2

### Cleaner

Order Part Number 4396808

### affresh®\* Stainless Steel Cleaner

In U.S.A., order Part Number W10355016

In Canada, order Part Number W10355016B

\*®affresh is a registered trademark of Whirlpool, U.S.A.

### affresh®\* Stainless Steel Wipes

In U.S.A., order Part Number W10355049

In Canada, order Part Number W10355049B

### affresh®\* Kitchen & Appliance Cleaner

In U.S.A., order Part Number W10355010

In Canada, order Part Number W10355010B

# PERFORMANCE DATA SHEET

## Ice Maker Water Filtration System Model P6GEG2KL, P6KG2KL, P6WG2KL Capacity 2000 Gallons (7571 Liters)



System tested and certified by NSF International against NSF/ANSI Standard 42 for the reduction of Chlorine Taste and Odor.

This system has been tested according to NSF/ANSI Standards 42 for the reduction of the substances listed below. The concentration of the indicated substances in water entering the system was reduced to a concentration less than or equal to the permissible limit for water leaving the system, as specified in NSF/ANSI Standards 42.

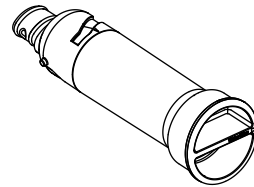
Substance Reduction	NSF Reduction Requirements	Average Influent	Influent Challenge Concentration	Maximum Effluent	Average Effluent	Minimum % Reduction	Average % Reduction
Aesthetic Effects Chlorine Taste/Odor	50% reduction	1.9727 mg/L	2.0 mg/L ± 10%	0.71 mg/L	0.7788 mg/L	70.2	72.81

Test Parameters: pH = 7.5 ± 0.5 unless otherwise noted. Flow = 0.50 gpm (1.89 Lpm). Pressure = 60 psig (413.7 kPa).  
 Temp. = 68°F to 71.6°F (20°C to 22°C). Rated service capacity = 2000 gallons (7571 liters).

- It is essential that operational, maintenance, and filter replacement requirements be carried out for the product to perform as advertised.
- Use replacement filter P6RFWG2K, P6RFGEG2K, P6RFGK2K, Part Number ICE2.  
**Style 1** – When the water filter status display changes from “GOOD” to “ORDER,” order a new filter. When the filter indicator reads “REPLACE,” it is recommended that you replace the filter.  
**Style 2** – Press FILTER to check the status of your water filter. If the filter indicator light is yellow and the words “ORDER FILTER” appear on the display screen, order a new filter. If the filter indicator light is red, it is recommended that you replace the filter.
- These contaminants are not necessarily in your water supply. While testing was performed under standard laboratory conditions, actual performance may vary.
- The product is for cold water use only.
- Do not use with water that is microbiologically unsafe or of unknown quality without adequate disinfection before or after the system.
- Refer to the “Warranty” section for the Manufacturer’s name, address and telephone number.
- Refer to the “Warranty” section for the Manufacturer’s limited warranty.

### Application Guidelines/Water Supply Parameters

Water Supply	City or Well
Water Pressure	30 - 120 psi (207 - 827 kPa)
Water Temperature	33° - 100°F (0.6° - 37.8°C)
Service Flow Rate	0.50 gpm (1.89 Lpm) @ 60 psi



---

# KITCHENAID® ICE MAKER WARRANTY

---

## THREE YEAR LIMITED WARRANTY (PARTS AND LABOR)

For three years from the date of purchase, when this major appliance is installed, operated and maintained according to instructions attached to or furnished with the product, KitchenAid brand of Whirlpool Corporation or Whirlpool Canada LP (hereafter "KitchenAid") will pay for factory specified replacement parts and repair labor to correct defects in materials or workmanship that existed when this major appliance was purchased.

## FOURTH THROUGH FIFTH YEAR LIMITED WARRANTY (SEALED REFRIGERATION SYSTEM PARTS ONLY - LABOR NOT INCLUDED)

In the fourth through the fifth year from the date of original purchase, when this major appliance is installed, operated and maintained according to instructions attached to or furnished with the product, KitchenAid will pay for factory specified replacement parts for the following components to correct non-cosmetic defects in materials or workmanship in the sealed refrigeration system that existed when this major appliance was purchased: compressor, evaporator, condenser, dryer/strainer, and connecting tubing. This limited 5-year warranty is only for the sealed refrigeration system replacement parts as identified and does not include labor.

YOUR SOLE AND EXCLUSIVE REMEDY UNDER THIS LIMITED WARRANTY SHALL BE PRODUCT REPAIR AS PROVIDED HEREIN. Service must be provided by a KitchenAid designated service company. This limited warranty is valid only in the United States or Canada and applies only when the major appliance is used in the country in which it was purchased. This limited warranty is effective from the date of original consumer purchase. Proof of original purchase date is required to obtain service under this limited warranty.

---

## ITEMS EXCLUDED FROM WARRANTY

**This limited warranty does not cover:**

1. Replacement parts or repair labor if this major appliance is used for other than normal, single-family household use or when it is used in a manner that is inconsistent to published user or operator instructions and/or installation instructions.
2. Service calls to correct the installation of your major appliance, to instruct you on how to use your major appliance, to replace or repair house fuses, or to correct house wiring or plumbing.
3. Service calls to repair or replace appliance light bulbs, air filters or water filters. Consumable parts are excluded from warranty coverage.
4. Damage resulting from accident, alteration, misuse, abuse, fire, flood, acts of God, improper installation, installation not in accordance with electrical or plumbing codes, or use of products not approved by KitchenAid.
5. Cosmetic damage, including scratches, dents, chips or other damage to the finish of your major appliance, unless such damage results from defects in materials or workmanship and is reported to KitchenAid within 30 days from the date of purchase.
6. Any food or medicine loss due to refrigerator or freezer product failures.
7. Pickup and delivery. This major appliance is intended to be repaired in your home.
8. Repairs to parts or systems resulting from unauthorized modifications made to the appliance.
9. Expenses for travel and transportation for product service if your major appliance is located in a remote area where service by an authorized KitchenAid servicer is not available.
10. The removal and reinstallation of your major appliance if it is installed in an inaccessible location or is not installed in accordance with KitchenAid's published installation instructions.
11. Replacement parts or repair labor on major appliances with original model/serial numbers that have been removed, altered or cannot be easily determined.
12. Discoloration, rust or oxidation of stainless steel surfaces.

**The cost of repair or replacement under these excluded circumstances shall be borne by the customer.**

---

## DISCLAIMER OF IMPLIED WARRANTIES

IMPLIED WARRANTIES, INCLUDING ANY IMPLIED WARRANTY OF MERCHANTABILITY OR IMPLIED WARRANTY OF FITNESS FOR A PARTICULAR PURPOSE, ARE LIMITED TO ONE YEAR OR THE SHORTEST PERIOD ALLOWED BY LAW. Some states and provinces do not allow limitations on the duration of implied warranties of merchantability or fitness, so this limitation may not apply to you. This warranty gives you specific legal rights, and you also may have other rights that vary from state to state or province to province.

---

## DISCLAIMER OF REPRESENTATIONS OUTSIDE OF WARRANTY

KitchenAid makes no representations about the quality, durability, or need for service or repair of this major appliance other than the representations contained in this Warranty. If you want a longer or more comprehensive warranty than the limited warranty that comes with this major appliance, you should ask KitchenAid or your retailer about buying an extended warranty.

---

## LIMITATION OF REMEDIES; EXCLUSION OF INCIDENTAL AND CONSEQUENTIAL DAMAGES

YOUR SOLE AND EXCLUSIVE REMEDY UNDER THIS LIMITED WARRANTY SHALL BE PRODUCT REPAIR AS PROVIDED HEREIN. KITCHENAID SHALL NOT BE LIABLE FOR INCIDENTAL OR CONSEQUENTIAL DAMAGES. Some states and provinces do not allow the exclusion or limitation of incidental or consequential damages, so these limitations and exclusions may not apply to you. This warranty gives you specific legal rights, and you also may have other rights that vary from state to state or province to province.

---

If outside the 50 United States and Canada, contact your authorized KitchenAid dealer to determine if another warranty applies.

If you think you need repair service, first see the "Troubleshooting" section of the Use & Care Guide. If you are unable to resolve the problem after checking "Troubleshooting," additional help can be found by checking the "Assistance or Service" section or by calling KitchenAid. In the U.S.A., call **1-800-422-1230**. In Canada, call **1-800-807-6777**.

2/11

---

**Keep this book and your sales slip together for future reference. You must provide proof of purchase or installation date for in-warranty service.**

Write down the following information about your major appliance to better help you obtain assistance or service if you ever need it. You will need to know your complete model number and serial number. You can find this information on the model and serial number label located on the product.

**Dealer name** \_\_\_\_\_

**Address** \_\_\_\_\_

**Phone number** \_\_\_\_\_

**Model number** \_\_\_\_\_

**Serial number** \_\_\_\_\_

**Purchase date** \_\_\_\_\_

# SEGURIDAD DE LA FÁBRICA DE HIELO

## Su seguridad y la seguridad de los demás es muy importante.

Hemos incluido muchos mensajes importantes de seguridad en este manual y en su electrodoméstico. Lea y obedezca siempre todos los mensajes de seguridad.



Este es el símbolo de advertencia de seguridad.

Este símbolo le llama la atención sobre peligros potenciales que pueden ocasionar la muerte o una lesión a usted y a los demás.

Todos los mensajes de seguridad irán a continuación del símbolo de advertencia de seguridad y de la palabra "PELIGRO" o "ADVERTENCIA". Estas palabras significan:

 **PELIGRO**

Si no sigue las instrucciones de inmediato, usted puede morir o sufrir una lesión grave.

 **ADVERTENCIA**

Si no sigue las instrucciones, usted puede morir o sufrir una lesión grave.

Todos los mensajes de seguridad le dirán el peligro potencial, le dirán cómo reducir las posibilidades de sufrir una lesión y lo que puede suceder si no se siguen las instrucciones.

## INSTRUCCIONES IMPORTANTES DE SEGURIDAD

**ADVERTENCIA:** Para reducir el riesgo de incendio, choque eléctrico o lesiones personales al usar la fábrica de hielo, siga estas precauciones básicas:

- Conecte a un contacto de pared de conexión a tierra de 3 terminales.
- No quite el terminal de conexión a tierra.
- No use un adaptador.
- No use un cable eléctrico de extensión.
- Desconecte el suministro de energía antes de limpiar a mano los componentes internos.
- Desconecte el suministro de energía antes de darle servicio.
- Vuelva a colocar todos los componentes y paneles antes de hacerla funcionar.
- Use dos o más personas para mover e instalar la fábrica de hielo.

**GUARDE ESTAS INSTRUCCIONES**

Advertencias de la Proposición 65 del estado de California:

**ADVERTENCIA:** Este producto contiene una o más sustancias químicas identificadas por el estado de California como causantes de cáncer.

**ADVERTENCIA:** Este producto contiene una o más sustancias químicas identificadas por el estado de California como causantes de defectos congénitos o algún otro tipo de daños en la función reproductora.

# INSTRUCCIONES DE INSTALACIÓN

## Desempaque la fábrica de hielo

### **⚠ ADVERTENCIA**

#### **Peligro de Peso Excesivo**

**Use dos o más personas para mover e instalar la fábrica de hielo.**

**No seguir esta instrucción puede ocasionar una lesión en la espalda u otro tipo de lesiones.**

### **Cómo quitar los materiales de empaque**

Quite las cintas y la goma de su fábrica de hielo antes de usarla.

- Para eliminar los residuos de cinta o goma del exterior de la fábrica de hielo, frote el área enérgicamente con su dedo pulgar. Los residuos de cinta adhesiva o goma también pueden quitarse fácilmente frotando un poco de detergente líquido para vajillas con los dedos. Limpie con agua tibia y seque.
- No use instrumentos filosos, alcohol para fricciones, líquidos inflamables, o productos de limpieza abrasivos para eliminar los restos de cinta o goma. No use blanqueador con cloro en las superficies de acero inoxidable de la fábrica de hielo. Estos productos pueden dañar la superficie de la fábrica de hielo.

### **Limpieza antes del uso**

Luego de quitar todos los materiales de empaque, limpie el interior de su fábrica de hielo antes de usarla. Consulte las instrucciones de limpieza en la sección "Cuidado de la fábrica de hielo".

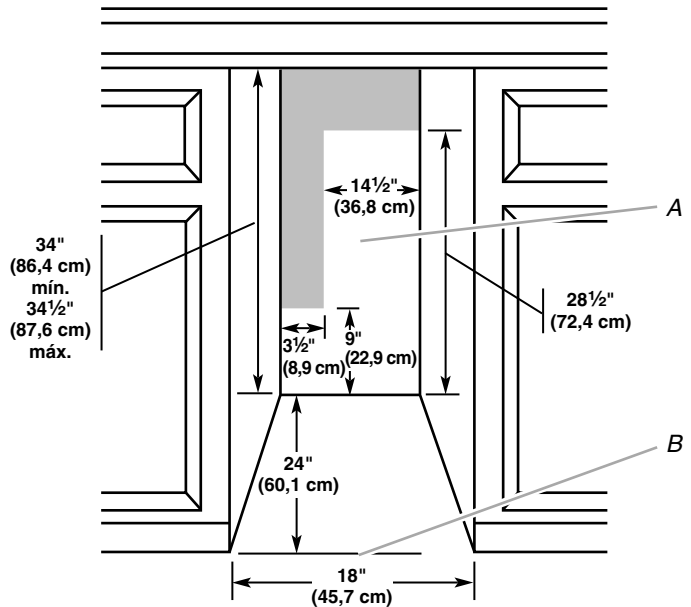
## Requisitos de ubicación

- Para asegurar la ventilación adecuada de su fábrica de hielo, la parte frontal debe mantenerse completamente libre de obstrucciones. La parte superior y los tres lados de la fábrica de hielo pueden estar cerrados, pero la instalación debe ser hecha de manera que la fábrica de hielo pueda ser movida hacia adelante para darle servicio, si fuera necesario.
- La instalación de la fábrica de hielo requiere una entrada de suministro de agua fría con tubería de cobre blando de 1/4" (6,35 mm) de diámetro exterior con una válvula de cierre, o una línea de suministro de Whirlpool, pieza n° 8212547RB, y una bomba de desagüe aprobada por Whirlpool, pieza n° 1901A, sólo para llevar el agua a un desagüe existente.
- Elija un área bien ventilada con temperaturas por encima de los 55°F (13°C) y por debajo de los 100°F (38°C). Los mejores resultados se logran con temperaturas de entre 70°F y 90°F (21°C y 32°C).
- La fábrica de hielo debe ser instalada en un área protegida de las inclemencias del tiempo, tales como el viento, lluvia, rocío de agua o goteos.
- Cuando instale la fábrica de hielo debajo de un mostrador, siga las dimensiones de abertura recomendadas que se ilustran a continuación. Coloque accesorios eléctricos o de plomería en la ubicación recomendada, como se indica.

#### **NOTAS:**

- Verifique que el cable de alimentación eléctrica no esté dañado, pellizcado o retorcido entre la fábrica de hielo y el armario.

- Verifique que la tubería de suministro de agua no esté dañada, pellizcada o retorcida entre la fábrica de hielo y el armario.
- Verifique que la línea de desagüe (en algunos modelos) no esté dañada, pellizcada o retorcida entre la fábrica de hielo y el armario.



A. Ubicación recomendada para accesorios eléctricos y de plomería  
B. Nivel del piso

- Elija una ubicación donde el piso esté nivelado. Es importante que la fábrica de hielo esté nivelada para su funcionamiento adecuado. De ser necesario, usted puede regular la altura de la fábrica de hielo cambiando la altura de las patas niveladoras. Consulte la sección "Nivelación".

## Requisitos eléctricos

### **⚠ ADVERTENCIA**



#### **Peligro de Choque Eléctrico**

**Conecte a un contacto de pared de conexión a tierra de 3 terminales.**

**No quite la terminal de conexión a tierra.**

**No use un adaptador.**

**No use un cable eléctrico de extensión.**

**No seguir estas instrucciones puede ocasionar la muerte, incendio o choque eléctrico.**

Antes de trasladar la fábrica de hielo a su ubicación final, es importante cerciorarse de que tenga la conexión eléctrica apropiada:

Se requiere un circuito de suministro eléctrico con fusibles de 15 ó 20 Amp., de 115 V, 60 Hz, de CA solamente, conectado

adecuadamente a tierra de acuerdo con el National Electrical Code (Código Nacional de Electricidad) y con las normas y códigos locales.

Se recomienda tener un circuito separado que sirva sólo para la fábrica de hielo. Use un contacto que no pueda ser desconectado con un interruptor o con una cadenilla de tiro.

**IMPORTANTE:** Si este producto está conectado a un tomacorriente equipado con GFCI (Ground Fault Circuit Interrupter - Interruptor de circuito de falla eléctrica de puesta a tierra), puede ocurrir un disparo brusco del suministro de corriente, lo que resultará en una pérdida de enfriamiento. Esto puede afectar la calidad del hielo. Si ha ocurrido un disparo brusco, y el hielo aparenta estar en malas condiciones, deshágase del mismo.

#### Método recomendado para la conexión a tierra

La fábrica de hielo debe estar conectada a tierra. La fábrica de hielo está equipada con un cable eléctrico provisto de un enchufe de tres terminales de conexión a tierra. El cable debe estar enchufado en un contacto apropiado de pared de tres terminales, de conexión a tierra de acuerdo con el Código Nacional de Electricidad y con los códigos y normas locales. Si no hubiera un contacto de pared adecuado disponible, el cliente tiene la responsabilidad de contratar a un electricista calificado para instalar un contacto de pared apropiado de tres terminales con conexión a tierra.

## Requisitos del suministro de agua

Asegúrese de que las líneas de suministro de agua estén protegidas contra las temperaturas bajo cero. Las formaciones de hielo en las líneas de suministro pueden aumentar la presión del agua y dañar la fábrica de hielo u ocasionar daños en la casa. El deterioro a causa del congelamiento en la línea de suministro no está cubierto por la garantía.

Se necesita un suministro de agua fría con presión de agua de entre 30 y 120 lbs/pulg<sup>2</sup> (207 a 827 kPa) para hacer funcionar la fábrica de hielo. Si usted tiene preguntas acerca de la presión de agua, llame a un plomero competente autorizado.

#### Suministro de agua de ósmosis inversa

##### IMPORTANTE:

- No se recomienda un sistema de filtración de agua por ósmosis inversa para las fábricas de hielo que tengan instalada una bomba de desagüe.
- Solamente para los sistemas de desagüe por gravedad.
- La presión del suministro de agua que sale de un sistema de ósmosis inversa y va a la válvula de entrada de agua de la fábrica de hielo necesitará ser de entre 30 y 120 lbs/pulg<sup>2</sup> (207 a 827 kPa).

Si se conecta un sistema de filtración de agua de ósmosis inversa al suministro de agua fría, la presión de agua al sistema de ósmosis inversa necesitará ser de un mínimo de 40 a 60 lbs/pulg<sup>2</sup> (276 a 414 kPa).

**NOTA:** El sistema de ósmosis inversa debe suministrar 1 galón (3,8 L) de agua por hora a la fábrica de hielo para que ésta funcione adecuadamente. Si se desea un sistema de ósmosis inversa, se recomienda solamente un sistema de ósmosis inversa con capacidad para toda la casa, que sea capaz de mantener el suministro continuo de agua requerido por la fábrica de hielo. Los sistemas de ósmosis inversa con capacidad adecuada para grifos no pueden mantener el suministro continuo de agua requerido por la fábrica de hielo.

Si la presión del agua al sistema de ósmosis inversa es menor de 40 a 60 lbs/pulg<sup>2</sup> (276 a 414 kPa):

- Verifique si el filtro de sedimentos en el sistema de ósmosis inversa está bloqueado y reemplácelo si fuera necesario.

- Deje que se vuelva a llenar el tanque de almacenaje del sistema de ósmosis inversa después del uso intenso.

Si tiene preguntas acerca de la presión del agua, llame a un plomero competente autorizado.

## Vacaciones o tiempo prolongado sin uso

- Cuando no vaya a usar la fábrica de hielo durante un período prolongado de tiempo, cierre el agua y apague el suministro de energía a la fábrica de hielo.
- Asegúrese de que las líneas de suministro de agua estén protegidas contra las temperaturas bajo cero. Las formaciones de hielo en las líneas de suministro pueden aumentar la presión del agua y dañar la fábrica de hielo u ocasionar daños en la casa. El deterioro a causa del congelamiento no está cubierto por la garantía.

## Conexión del suministro de agua

Lea todas las instrucciones antes de comenzar.

##### IMPORTANTE:

- Las instalaciones de plomería deben efectuarse de conformidad con el International Plumbing Code (Código de plomería internacional) y los códigos y ordenanzas locales.
- Use una tubería de cobre o una línea de suministro de Whirlpool, Pieza número 8212547RP y revise si hay fugas.
- Instale la tubería sólo en áreas donde las temperaturas permanecerán por encima del punto de congelación.

##### Herramientas necesarias

Reúna las herramientas y piezas necesarias antes de comenzar la instalación:

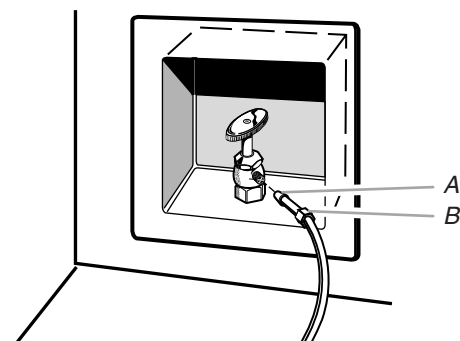
- Destornillador de hoja plana
- Llaves de boca abierta de 7/16" y 1/2" o dos llaves de tuercas ajustables
- Llave de tuercas de 1/4"

**NOTA:** No use una válvula perforadora ni de montura de 3/16" (4,76 mm), las cuales reducen el flujo de agua y se obstruyen con mayor facilidad.

#### Conexión de la tubería de agua

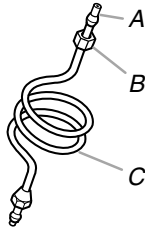
1. Cierre el suministro principal del agua. Abra el grifo más cercano el tiempo suficiente para limpiar la tubería del agua.
2. Usando una línea de suministro de cobre de 1/2" con una válvula de cierre de un cuarto de vuelta o una equivalente, conecte la fábrica de hielo, como se muestra.

**NOTA:** Se recomienda una tubería de suministro doméstico de 1/2" de diámetro como mínimo para que la fábrica de hielo tenga un flujo de agua suficiente.



A. Bulbo  
B. Tuerca

- Ahora está listo para conectar la tubería de cobre. Use una tubería de cobre blando de 1/4" (6,35 mm) de diámetro exterior para el suministro de agua fría.
  - Asegúrese de tener la longitud adecuada necesaria para el trabajo. Cerciórese de que ambos extremos de la tubería de cobre estén cortados en ángulo recto.
  - Deslice la manga de compresión y la tuerca de compresión en la tubería de cobre según se ilustra. Introduzca el extremo de la tubería en el extremo de salida en ángulo recto hasta donde sea posible. Atornille la tuerca de compresión en el extremo de salida usando la llave de tuercas ajustable. No ajuste demasiado.



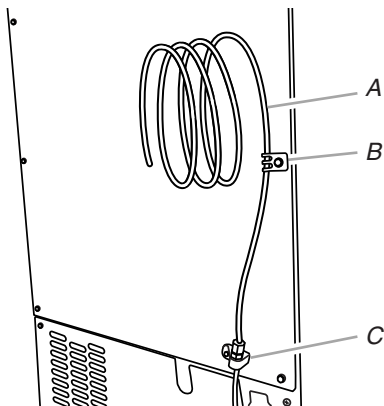
A. Manga de compresión  
B. Tuerca de compresión  
C. Tubería de cobre

- Coloque el extremo libre de la tubería en un recipiente o un fregadero, abra el suministro principal de agua y deje correr el agua por la tubería hasta que salga limpia. Cierre la válvula de cierre de la tubería de agua.

**IMPORTANTE:** Siempre desagüe la tubería de agua antes de efectuar la conexión final al orificio de entrada de la válvula de agua para evitar un probable mal funcionamiento de la misma.

- Doble la tubería de cobre para poder encajarla en el orificio de entrada de agua, que está ubicado en la parte trasera de la carcasa de la fábrica de hielo, según se ilustra. Deje un serpentín de tubería de cobre para permitir sacar la fábrica de hielo del armario o alejarla de la pared para el servicio.

#### Vista posterior

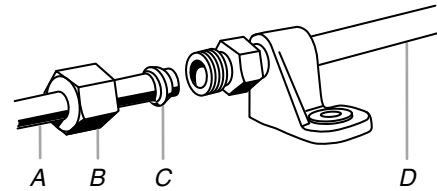


A. Tubería de cobre  
B. Abrazadera para el tubo de suministro de agua  
C. Abrazadera para el tubo de entrada de agua y conector de la línea de suministro

- Retire y descarte el tubo corto negro de plástico del extremo de la entrada de la línea de agua.

- Enrosque la tuerca en el extremo de la tubería. Apriete la tuerca con la mano, y luego apriétela con la llave de tuercas dos giros más. No apriete demasiado.

**NOTA:** Para evitar ruidos molestos, asegúrese de que la tubería de cobre no toque la pared lateral de la carcasa u otras partes dentro de la carcasa.



A. Tubería a la fábrica de hielo  
B. Tuerca (comprada)  
C. Férula (comprada)  
D. Línea provista de la fábrica de hielo

- Instale la abrazadera para tubos de suministro de agua alrededor de la línea de suministro de agua, para reducir la tensión en el acoplamiento.
- ABRA la válvula de cierre.
- Revise si hay fugas. Ajuste las conexiones (incluso las de la válvula) o tuercas que tengan fugas.

## Instalación de la bomba de desagüe

(en algunos modelos)

**NOTA:** Conecte la bomba de desagüe al desagüe de conformidad con todos los códigos y ordenanzas locales y estatales. Sería ideal aislar el tubo de desagüe completamente hasta la entrada del desagüe para minimizar la condensación en dicho tubo. Se puede adquirir el juego de tubos aislados, pieza N° W10365792. La bomba de desagüe está diseñada para bombear agua hasta una altura máxima de 10 pies (3 m). Utilice únicamente el juego de la bomba de desagüe aprobado por Whirlpool, pieza n° 1901A. No conecte el extremo de salida del tubo de desagüe a un sistema de tubería cercano para evitar que el agua de desagüe retroceda hacia la fábrica de hielo.

#### El juego contiene:

- Juego de la bomba de desagüe, pieza n° 1901A
- Tubo de desagüe (del depósito de la fábrica de hielo a la entrada del depósito de la bomba de desagüe) de 5/8" de diámetro interno x 5 1/8"
- Manguera del tubo de desagüe (de la descarga de la bomba de desagüe al desagüe de la casa) de 1/2" de diámetro interno x 10 pies (3 m)
- Tubo de ventilación (de la ventilación del depósito de la bomba de desagüe a la parte posterior de la carcasa de la fábrica de hielo) de 5/16" de diámetro interno x 32" (81 cm)
- Abrazaderas para cables (sujetan el tubo de ventilación a la parte posterior de la fábrica de hielo) (3)
- Tornillos de montaje de la bomba N° 8-32 x 3/8" (sujetan la bomba de desagüe a la placa de base y las abrazaderas a la parte posterior de la fábrica de hielo) (5)
- Abrazadera pequeña ajustable para manguera, de 5/8" (sujeta la ventilación a la bomba de desagüe)
- Abrazadera grande ajustable para manguera, de 7/8" (sujeta el tubo de desagüe al depósito de la fábrica de hielo y a la entrada del depósito de la bomba de desagüe) (3)
- Panel posterior (2)
- Hoja de instrucciones



## Si la fábrica de hielo ya está instalada

**NOTA:** Si la fábrica de hielo no está instalada, proceda con la sección "Instalación de la bomba de desagüe".

1. Empuje el interruptor del selector a la posición de apagado (Off).

## ⚠ ADVERTENCIA



### Peligro de Choque Eléctrico

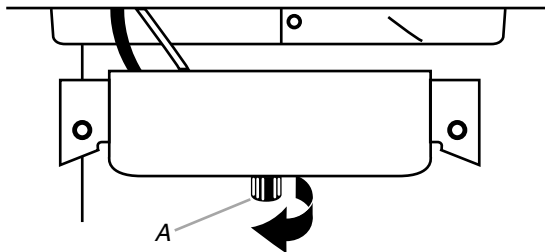
**Desconecte el suministro de energía antes de darle mantenimiento.**

**Vuelva a colocar todos los componentes y paneles antes de hacerlo funcionar.**

**No seguir estas instrucciones puede ocasionar la muerte o choque eléctrico.**

2. Desenchufe la fábrica de hielo o desconecte el suministro de energía.
3. Cierre el suministro de agua. Espere de 5 a 10 minutos para que el hielo caiga en el depósito. Retire todo el hielo del depósito.
4. Desenrosque la tapa de desagüe del fondo de la bandeja del agua ubicada dentro del depósito. Espere hasta que se drene el agua por completo. Vuelva a colocar la tapa de desagüe. Vea la ilustración "Tapa de desagüe".

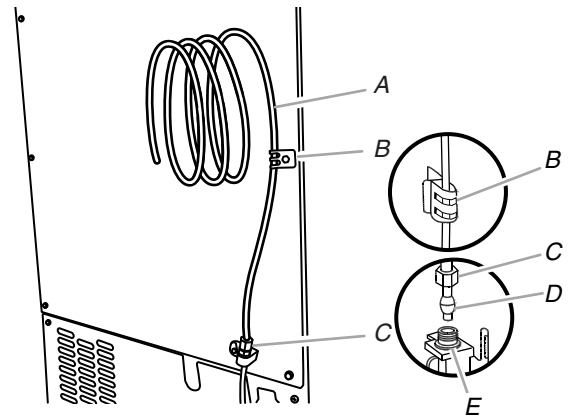
### Tapa de desagüe



A. Tapa de desagüe

5. Si la fábrica de hielo está empotrada en un armario, sáquela de modo que quede fuera de la abertura.
6. Desconecte la línea de suministro de agua. Vea la ilustración "Línea de suministro de agua".

## Línea de suministro de agua



A. Tubería de cobre de 1/4"

B. Abrazadera para cables

C. Tuerca de compresión de 1/4"

D. Férula (manguito)

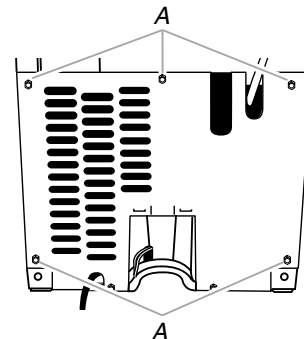
E. Conexión de la fábrica de hielo

## Instalación de la bomba de desagüe

**NOTA:** No doble, aplaste ni dañe los tubos o cables durante la instalación.

1. Desenchufe la fábrica de hielo o desconecte el suministro de energía.
2. Retire el panel posterior. Vea las ubicaciones de los 5 tornillos en la ilustración "Panel posterior". Jale el panel posterior para alejarlo del tubo de desagüe y deséchelo.

### Panel posterior



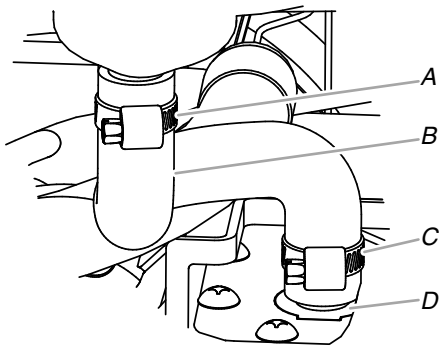
A. Ubicaciones de los tornillos

3. Retire el tubo de desagüe viejo y la abrazadera que están sujetos al depósito de la fábrica de hielo.
4. Instale el nuevo tubo de desagüe (5/8" de diámetro interno x 5 1/8") desde el depósito de la fábrica de hielo hasta la entrada del depósito de la bomba de desagüe. Para ello, utilice las abrazaderas ajustables nuevas. Vea la ilustración "Tubo de desagüe".

### NOTAS:

- No lo retuerza.
- Recorte el tubo, de ser necesario.

## Tubo de desagüe

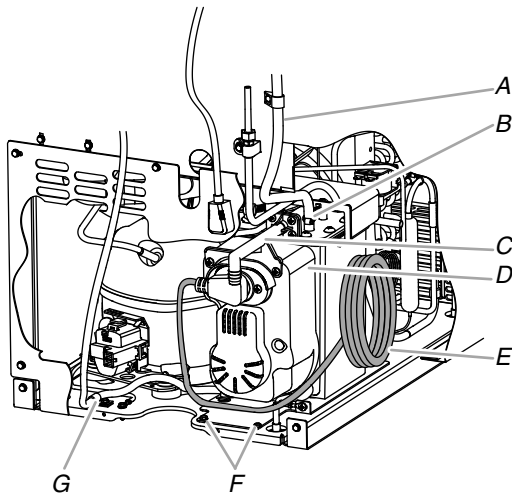


- A. Abrazadera ajustable para manguera, de  $\frac{7}{8}$ "  
 B. Tubo de desagüe (del depósito de hielo a la bomba de desagüe)  
 C. Abrazadera ajustable para manguera, de  $\frac{7}{8}$ "  
 D. Entrada del depósito de la bomba de desagüe

5. Instale el tubo de ventilación ( $\frac{5}{16}$ " de diámetro interno x 32" [81 cm]) hasta la ventilación del depósito de la bomba de desagüe. Utilice una abrazadera ajustable pequeña, de  $\frac{5}{8}$ ", incluida. Vea la ilustración "Ubicaciones de las piezas".

**NOTA:** No instale todavía el tubo de desagüe de la casa.

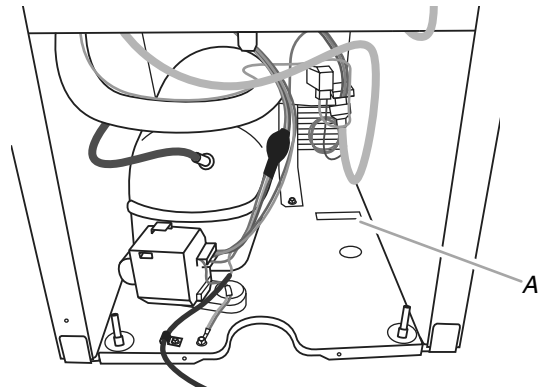
## Ubicaciones de las piezas



- A. Tubo de ventilación  
 B. Abrazadera para manguera, de  $\frac{5}{8}$ "  
 C. Tubo de descarga de la bomba de desagüe  
 D. Bomba de desagüe  
 E. Cable eléctrico de la unidad de la fábrica de hielo  
 F. Tornillos de montaje de la bomba N° 8-32 x  $\frac{3}{8}$ "  
 G. Cable eléctrico de la bomba de desagüe, abrazadera y tornillo

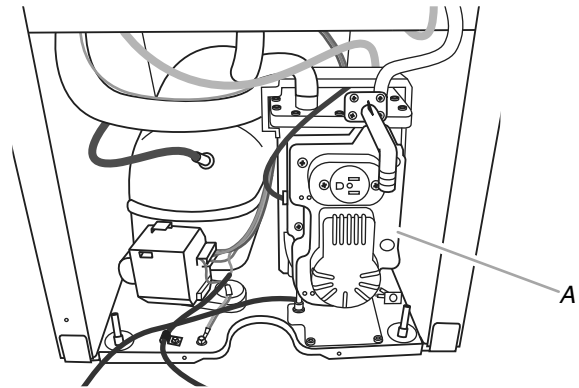
6. Retire la abrazadera y el tornillo de puesta a tierra del cable eléctrico de la fábrica de hielo, que están sujetos a dicho cable montado en la base de la unidad. Vea la ilustración "Ubicaciones de las piezas".
- NOTA:** La abrazadera y el tornillo se volverán a utilizar.
7. Deslice la bomba de desagüe para colocarla en la base de la fábrica de hielo, por el lado derecho. Debe deslizarse la lengüeta de montaje de la bomba en la ranura rectangular de la base de la fábrica de hielo. Para deslizar la bomba en la ranura, será necesario inclinarla un poco. Vea la ilustración "Ranura de la lengüeta de montaje de la bomba de desagüe".

## Ranura de la lengüeta de montaje de la bomba de desagüe



A. Ranura de la lengüeta de montaje

## Bomba de desagüe instalada



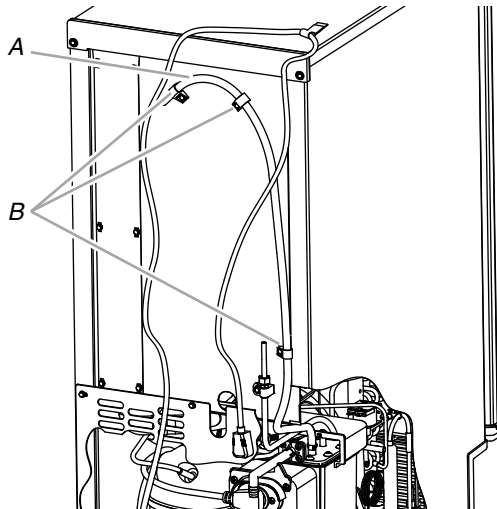
A. Bomba de desagüe instalada

8. Alinee los 2 orificios de los tornillos de la parte posterior de la bomba. Utilice dos tornillos N° 8-32 x  $\frac{3}{8}$ ", incluidos. Vea la ilustración "Ubicaciones de las piezas".
9. Conecte el tubo de desagüe a la salida del depósito de la fábrica de hielo ( $\frac{5}{8}$ " de diámetro interno). Para ello, utilice la abrazadera ajustable de  $\frac{7}{8}$ ", incluida. Vea la ilustración "Tubo de desagüe".
10. Enrolle el cable eléctrico de la fábrica de hielo formando un rollo de 4" (10,2 cm) de diámetro. Envuelva varias partes del rollo de cable eléctrico con cinta aisladora para que no se desenrolle. Ubique el cable eléctrico enrollado entre la bomba de desagüe y el costado del recinto y enchúfelo en el tomacorriente de la bomba de desagüe. Vea la ilustración "Ubicaciones de las piezas".
11. Sujete el cable eléctrico de la bomba de desagüe a la base de la unidad de la fábrica de hielo con la abrazadera y el tornillo (que se retiraron en el Paso 6) que se utilizaron para sujetar el cable eléctrico de la fábrica de hielo. Vea la ilustración "Ubicaciones de las piezas".
12. Coloque el nuevo panel posterior (el pequeño para fábricas de hielo de 15" y el grande para las de 18") contra la parte posterior de la fábrica de hielo. Pase el tubo de ventilación y el tubo de descarga de la bomba de desagüe a través de los orificios del panel posterior.

13. Sujete el panel posterior con los tornillos originales. Vea la ilustración "Panel posterior".
14. Sujete el tubo de ventilación a la parte posterior de la fábrica de hielo con las 3 abrazaderas y los tres tornillos N° 8-32 x 3/8", incluidos. Vea la ilustración "Tubo de ventilación".

#### Tubo de ventilación

**NOTA:** No apriete, doble ni dañe el tubo de ventilación. Revise que no esté dañado, aplastado ni retorcido entre el armario y la fábrica de hielo.



A. Tubo de ventilación  
B. Abrazaderas y tornillos

15. Conecte el tubo de desagüe de 1/2" de diámetro interno x 10 pies (3 m) al tubo de descarga de la bomba. Vea la ilustración "Ubicaciones de las piezas".
16. Conecte la fábrica de hielo al suministro de agua e instálela como se especifica en las instrucciones de instalación del producto.
17. Revise todas las conexiones para ver si hay fugas.

## ⚠ ADVERTENCIA



### Peligro de Choque Eléctrico

Conecte a un contacto de pared de conexión a tierra de 3 terminales.

No quite la terminal de conexión a tierra.

No use un adaptador.

No use un cable eléctrico de extensión.

No seguir estas instrucciones puede ocasionar la muerte, incendio o choque eléctrico.

18. Enchufe la fábrica de hielo o reconecte el suministro de energía.
19. Encienda la fábrica de hielo.
20. Espere durante el ciclo de enjuague, de unos 5 minutos de duración, para asegurarse de que la fábrica de hielo funcione correctamente.

## Conexión del desagüe

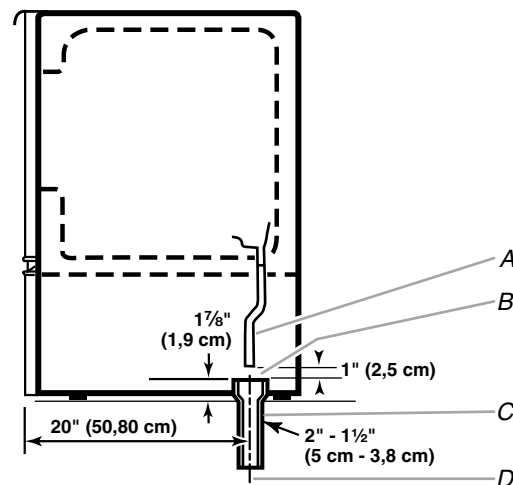
### Sistema de desagüe por gravedad

Conecte el desagüe de la fábrica de hielo a su desagüe, de conformidad con todos los códigos y ordenanzas locales y estatales. Si la fábrica de hielo viene con un sistema de desagüe por gravedad, siga estas instrucciones cuando instale las líneas de desagüe. Esto ayudará a evitar que el agua regrese al depósito de almacenaje de la fábrica de hielo y probablemente caiga en el piso, ocasionando daños.

- Las líneas de desagüe deben tener un mínimo de 5/8" (15,88 mm) de diámetro interno.
- Las líneas de desagüe deben tener 1" de caída por cada 48" (2,54 cm de caída por cada 122 cm) de recorrido o 1/4" de caída por cada 12" (6,35 mm por cada 30,48 cm) de recorrido y no deben tener puntos bajos donde el agua pueda asentarse.
- Los desagües por el piso deben ser lo suficientemente grandes como para contener el agua de todos los desagües.
- La instalación ideal tiene un tubo vertical con un reductor de desagüe de PVC de 1 1/2" (3,81 cm) a 2" (5,08 cm), instalado directamente debajo del orificio de salida del tubo de desagüe, según se ilustra. Usted debe mantener un espacio de aire de 1" (2,54 cm) entre la manguera de desagüe y el tubo vertical.
- No conecte el extremo de salida del tubo de desagüe a un sistema de tubería cercano para evitar que el agua de desagüe retroceda hacia la fábrica de hielo.

**IMPORTANTE:** Cuando no hay disponible un desagüe por el piso, es necesario tener una bomba de desagüe. Hay disponible para la venta un juego de bomba de desagüe, pieza número 1901A.

#### Vista lateral



- A. Manguera de desagüe  
B. Espacio de aire de 1" (2,54 cm)  
C. Reductor de desagüe de PVC  
D. El centro del desagüe debe estar a 20" (50,8 cm) desde el frente de la puerta, con o sin el panel de 3/4" (1,91 cm) en la puerta. El desagüe debe también estar centrado de izquierda a derecha (8 13/16" [22,38 cm] de cada lado de la fábrica de hielo).

## Sistema de la bomba de desagüe (en algunos modelos)

### IMPORTANTE:

- Conecte el desagüe de la fábrica de hielo a su desagüe de conformidad con el International Plumbing Code (Código de Plomería Internacional) y los códigos y ordenanzas locales.
- La línea de descarga de la bomba de desagüe debe terminar en un desagüe abierto.
  - Elevación máxima: 10 pies (3,1 m)
  - Recorrido máximo: 100 pies (30,5 m)

### NOTAS:

- Si la manguera de desagüe se tuerce y el agua no sale, su fábrica de hielo no funcionará.
- Sería ideal aislar la línea de desagüe completamente hasta la entrada del desagüe. Hay disponible para la venta un juego de manguito aislador, pieza número W10365792.
- No conecte el extremo de salida del tubo de desagüe a un sistema de tubería cercano para evitar que el agua de desagüe retroceda hacia la fábrica de hielo.

## Conexión del desagüe

Luego de asegurarse de que el sistema de desagüe es el adecuado, siga estos pasos para colocar la fábrica de hielo apropiadamente:

## ⚠ ADVERTENCIA



### Peligro de Choque Eléctrico

Conecte a un contacto de pared de conexión a tierra de 3 terminales.

No quite la terminal de conexión a tierra.

No use un adaptador.

No use un cable eléctrico de extensión.

No seguir estas instrucciones puede ocasionar la muerte, incendio o choque eléctrico.

1. Conecte a un contacto de pared de conexión a tierra de 3 terminales.

## ⚠ ADVERTENCIA

### Peligro de Peso Excesivo

Use dos o más personas para mover e instalar la fábrica de hielo.

No seguir esta instrucción puede ocasionar una lesión en la espalda u otro tipo de lesiones.

2. **Estilo 1**—Para el sistema de desagüe por gravedad, empuje la fábrica de hielo a su posición de modo que el tubo de desagüe de la fábrica de hielo esté ubicado encima del reductor de desagüe de PVC. Vea “Sistema de desagüe por gravedad”.

**Estilo 2**—Para el sistema de bomba de desagüe, conecte la manguera de salida de la bomba al desagüe. Vea “Sistema de la bomba de desagüe”.

3. Vuelva a revisar la fábrica de hielo para asegurarse de que esté nivelada. Consulte la sección “Nivelación”.
4. Si el código de sanidad local lo requiere, selle la carcasa al piso con masilla de calafateo aprobada después de haber efectuado todas las conexiones eléctricas y de agua.

## Nivelación

Es importante que la fábrica de hielo esté nivelada para que funcione adecuadamente. Dependiendo del lugar donde instale la fábrica de hielo, puede necesitar hacer varios ajustes para nivelarla. También puede usar las patas niveladoras para reducir la altura de la fábrica de hielo para las instalaciones debajo de mostradores.

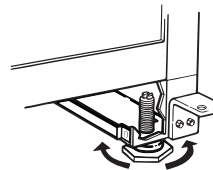
### Herramientas necesarias:

Reúna las herramientas y piezas necesarias antes de comenzar la instalación.

- Nivel de 9"
- Llave de tuercas ajustable

**NOTA:** Es más fácil ajustar las patas niveladoras si tiene otra persona para ayudarlo.

1. Mueva la fábrica de hielo a su ubicación final.  
**NOTA:** Si ésta es una instalación empotrada, mueva la fábrica de hielo tan cerca de su ubicación final como sea posible.
2. Coloque el nivel en la parte superior del producto para ver si la fábrica de hielo está nivelada desde adelante hacia atrás y de lado a lado.
3. Empuje hacia arriba en la parte superior frontal de la fábrica de hielo y luego localice los tornillos niveladores que se encuentran en la parte inferior frontal de la fábrica de hielo.
4. Usando una llave de tuercas ajustable, cambie la altura de las patas de la siguiente manera:
  - Gire la pata niveladora hacia la derecha para bajar ese lado de la fábrica de hielo.
  - Gire la pata niveladora hacia la izquierda para levantar ese lado de la fábrica de hielo.**NOTA:** La fábrica de hielo no debe tambalearse. Use calzas para agregarle estabilidad cuando sea necesario.



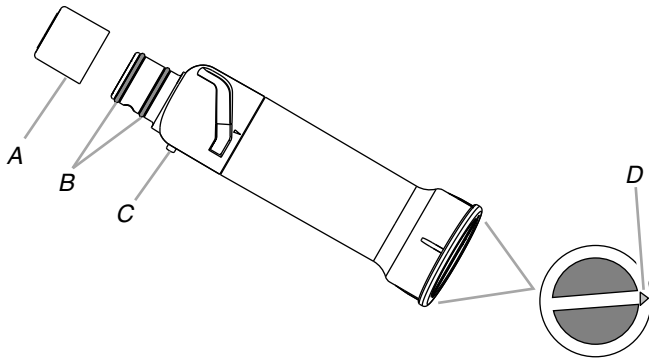
5. Empuje hacia arriba en la parte superior trasera de la fábrica de hielo y localice las patas niveladoras que se encuentran en la parte inferior trasera de la fábrica de hielo.
6. Siga las instrucciones del paso 4 para cambiar la altura de las patas.
7. Use el nivel para volver a verificar la fábrica de hielo y ver si está nivelada desde adelante hacia atrás y de lado a lado. Si la fábrica de hielo no está nivelada, repita los pasos del 2 al 5. Si la fábrica de hielo está nivelada, proceda a la sección “Conexión del suministro de agua”.

## Sistema de filtración de agua

No use con agua que no sea microbiológicamente segura o que sea de calidad desconocida sin desinfectarla adecuadamente antes o después del sistema. Pueden usarse sistemas certificados para la reducción de quistes en aguas desinfectadas que puedan contener quistes filtrables.

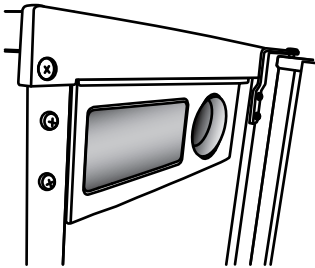
### Instalación del filtro de agua

1. Ubique el paquete con accesorios en la fábrica de hielo y retire el filtro de agua.
2. Quite el filtro de agua de su empaque y retire la cubierta de las juntas tóricas. Asegúrese de que estas sigan en su lugar después de haber retirado la cubierta.

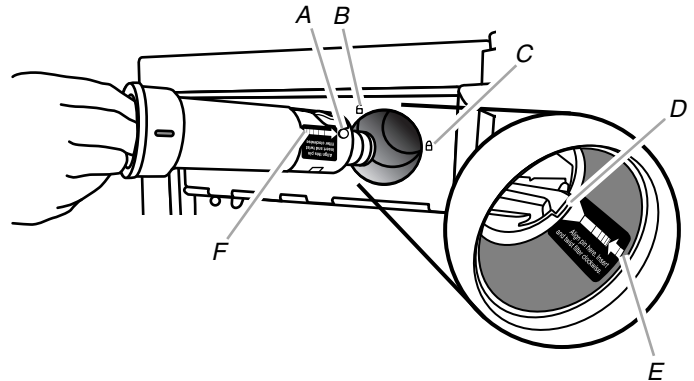


A. Cubierta  
B. Juntas tóricas  
C. Espiga de alineamiento  
D. Flecha de alineamiento

3. El compartimiento del filtro de agua está ubicado a la derecha del panel de los controles de la fábrica de hielo.



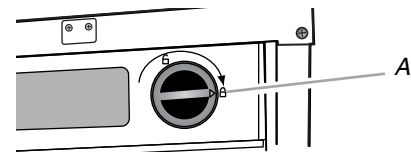
4. Con la flecha apuntando a la espiga de alineamiento sobre el costado del filtro y la flecha dentro de la cubierta del control, alinee la espiga de alineamiento con la muesca recortada e inserte el filtro dentro de la cubierta.



A. Espiga de alineamiento  
B. Símbolo de desbloqueo  
C. Símbolo de bloqueo  
D. Muesca recortada del alojamiento del control  
E. Flecha apuntando a la muesca recortada  
F. Flecha apuntando a la espiga de alineamiento

5. Gire el filtro hacia la derecha hasta que se trabe en el alojamiento. Asegúrese de que la flecha de alineamiento de la cabeza del filtro coincida con el símbolo de bloqueo del alojamiento de la caja de control.

**NOTA:** Si el filtro no se traba correctamente en el alojamiento, la fábrica de hielo no funcionará.



A. Flecha alineada con el símbolo de bloqueo

### Luz de estado del filtro de agua

Las luces de estado del filtro de agua le permitirán saber cuándo cambiarlo.

- Cuando sea necesario solicitar un filtro de reemplazo, se encenderá la luz de estado "Order Filter" (Pedir filtro).
- Cuando sea necesario reemplazar el filtro, se encenderá la luz de estado "Replace Filter" (Reemplazar filtro).
- Al reemplazar el filtro de agua desechable por uno nuevo, se reajustará automáticamente la característica de seguimiento de estado del filtro. Vea "Uso de los controles".

#### NOTAS:

- La frase "Replace Filter" (Reemplazar filtro) permanecerá iluminada si no se instala un filtro.
- La luz de estado "Filter" (Filtro) destellará si el filtro no se instaló correctamente o si hay una obstrucción en la tubería del agua.

## Reemplazo del filtro de agua

Para comprar un filtro de agua de reemplazo, vea “Accesorios”. Reemplace el filtro de agua desechable cuando se indique en la pantalla de estado del filtro o al menos cada 9 meses. Si disminuye la velocidad de fabricación del hielo antes de que se encienda la luz de “Replace Filter” (Reemplazar filtro), reemplace el filtro.

1. Ubique el compartimiento del filtro de agua en el lado derecho del alojamiento del control. Vea el paso 3 de la sección “Instalación del filtro de agua”.

2. Gire el filtro de agua en el sentido contrario al de las manecillas del reloj (hacia la izquierda) y jálalo directo hacia fuera del compartimiento.  
**NOTA:** Es posible que quede agua en el filtro. Es posible que se derrame un poco de esa agua.
3. Instale el filtro de agua de reemplazo siguiendo los pasos 2 a 5 en la sección “Instalación del filtro de agua”.

## USO DE LA FÁBRICA DE HIELO

### Cómo funciona su fábrica de hielo

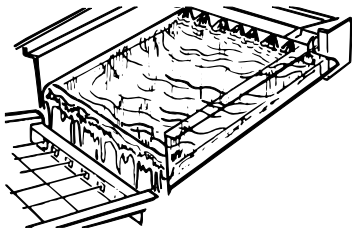
Cuando ponga su fábrica de hielo en marcha por primera vez, la bandeja del agua se llenará y el sistema se enjuagará por sí solo antes de comenzar a elaborar el hielo. El proceso de enjuague tarda unos 5 minutos.

Bajo condiciones normales de funcionamiento, la fábrica de hielo funcionará a las temperaturas prefijadas. El sensor de nivel del hielo ubicado en el depósito de almacenaje del hielo controlará los niveles del hielo.

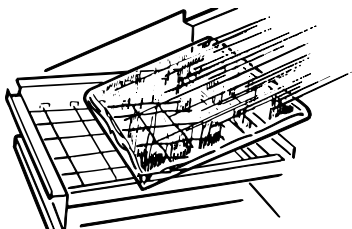
**IMPORTANTE:** Si el suministro de agua a la fábrica de hielo está cerrado, asegúrese de fijar el control de la fábrica de hielo en OFF (Apagado).

### Proceso de elaboración de hielo

1. El agua circula constantemente sobre una placa de congelación. A medida que el agua se congela para convertirse en hielo, los minerales que están en el agua son rechazados. Esto produce una capa de hielo con un bajo contenido de minerales.

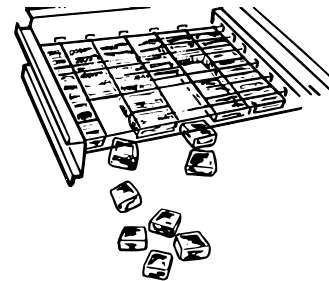


2. Cuando se logra el espesor deseado, la capa de hielo se desprende y se desliza sobre la rejilla de corte. La rejilla divide la capa de hielo en cubos individuales.



3. El agua que contiene los minerales rechazados es drenada después de cada ciclo de congelación.
4. El agua fresca entra en la máquina para ser usada en el siguiente ciclo de elaboración de hielo.

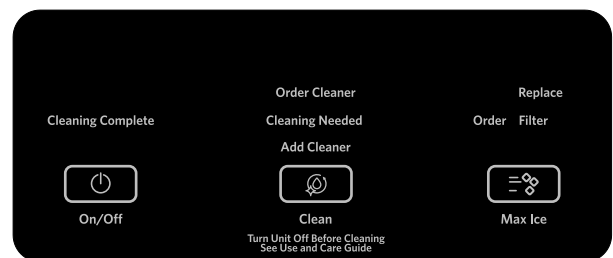
5. Los cubos caen en el depósito de hielo. Cuando el depósito está lleno, la fábrica de hielo se apaga automáticamente y vuelve a funcionar cuando se necesita más hielo. El depósito de hielo no está refrigerado y una poca cantidad de hielo se derretirá. La cantidad de derretimiento varía según la temperatura ambiente.



**NOTA:** Así como la temperatura ambiente y del agua varían, la cantidad producida y almacenada de hielo también varía. Esto significa que las temperaturas de funcionamiento más altas resultarán en una reducción de la producción del hielo.

### Uso de los controles

1. Para empezar la producción de hielo, presione ON/OFF (Encendido/Apagado).
2. Para detener el funcionamiento de la fábrica de hielo, presione ON/OFF (Encendido/Apagado).



### NOTAS:

- Al presionar el interruptor de On/Off (Encendido/Apagado), no se corta el suministro de energía a la fábrica de hielo.
- Deje transcurrir 24 horas para la producción del primer lote de hielo. Deshágase de los 2 primeros lotes de hielo producidos.

---

## Modo de Max Ice (Hielo máx.)

---

Seleccione la característica Max Ice (Hielo máx.) cuando sepa que va a necesitar una gran cantidad de hielo y el depósito de hielo tenga poco hielo o esté vacío. El modo Max Ice (Hielo máx.) producirá una mayor cantidad de hielo en un período de 24 horas.

- Presione MAX ICE (Hielo máx.) mientras la fábrica de hielo esté encendida. La luz indicadora se encenderá.
- Presione nuevamente MAX ICE (Hielo máx.) para apagar la característica de Max Ice (Hielo máx.). La luz indicadora se apagará.
- El modo Max Ice (Hielo máx.) estará activado cuando encienda por primera vez el producto. Se apagará después de 24 horas. Para encender de nuevo Max Ice (Hielo máx.), presione MAX ICE (Hielo máx.).

---

## Clean (Limpieza)

---

Se recomienda que limpie la fábrica de hielo cuando se encienda la luz "Cleaning Needed" (Limpieza necesaria), hayan transcurrido nueve meses o se reduzca de manera significativa la producción de hielo. Para limpiar su fábrica de hielo, vea "Sistema de la fábrica de hielo" en la sección "Limpieza".

---

## Alarma de puerta entreabierta

---

La característica de Alarma de puerta entreabierta hace sonar una alarma cuando la puerta de la fábrica de hielo permanece abierta durante 5 minutos. La alarma se repetirá cada 2 minutos. Para apagarla, cierre la puerta. La característica entonces se reajusta y se reactivará cuando se deje nuevamente la puerta abierta durante 5 minutos.

---

## Sonidos normales

Su fábrica de hielo nueva puede producir algunos sonidos que no le sean familiares. Es posible que usted esté preocupado debido a que se trata de sonidos que no escuchó con anterioridad. La mayor parte de los sonidos nuevos son normales. Las superficies duras, como serían los pisos, paredes y armarios pueden hacerlos sonar más fuerte de lo que son realmente. A continuación se describen los tipos de sonidos que podrían ser nuevos para usted y qué es lo que los produce.

- Cuando la válvula de agua se abre para llenar el depósito de agua para cada ciclo, usted escuchará un zumbido.
- El flujo del refrigerante o de la línea de agua puede ocasionar ruidos de vibraciones. También los artículos que están almacenados encima de la fábrica de hielo pueden producir ruidos.
- El compresor de alta eficiencia puede producir un sonido pulsante o agudo.
- El agua corriendo sobre la placa del evaporador puede producir un sonido de salpicaduras.
- El agua corriendo de la placa del evaporador hacia el depósito de agua puede producir un sonido de salpicaduras.

- Al final de cada ciclo, puede escucharse un sonido de borboteo debido al refrigerante fluyendo en la fábrica de hielo.
- Es posible escuchar un sonido como de aire forzado por el ventilador del condensador por encima del condensador.
- Es posible escuchar un "ruido sordo" durante el ciclo de recolección, cuando la capa de hielo se desliza del evaporador hacia la rejilla de corte.
- Al encender la fábrica de hielo por primera vez, se puede escuchar agua que fluye continuamente. La fábrica de hielo está programada para ejecutar un ciclo de enjuague antes de iniciar la fabricación del hielo.
- Si la fábrica de hielo está conectada a una presión de suministro de agua de más de 60 lbs/pulg<sup>2</sup>, es posible que se escuche un sonido fuerte durante la carga de agua asociado con el paso de la misma a través de la válvula de entrada. Llame a un plomero competente autorizado para determinar la mejor manera de reducir la presión del suministro de agua (se recomienda que sea de 50 lbs/pulg<sup>2</sup>).

---

# CUIDADO DE LA FÁBRICA DE HIELO

---

## Limpieza

El sistema de la fábrica de hielo y el condensador de aire frío deberán limpiarse regularmente para que la fábrica de hielo funcione con la máxima eficacia y para evitar fallas prematuras de los componentes del sistema. Consulte las secciones "Sistema de la fábrica de hielo" y "Condensador".

---

### Superficies exteriores

---

Lave las superficies exteriores esmaltadas de la unidad y las juntas con agua tibia y jabón o detergente suave. Limpie con un paño y seque. El uso regular de un buen producto para limpieza doméstica y cera ayudará a conservar el acabado. No use limpiadores abrasivos en las superficies con esmalte, ya que podrían rayar el acabado.

Para productos con acabado de acero inoxidable, use una esponja o un paño liso y un detergente suave en agua tibia. No use productos de limpieza abrasivos o ásperos. No use blanqueador con cloro en superficies de acero inoxidable.

---

### Sistema de la fábrica de hielo

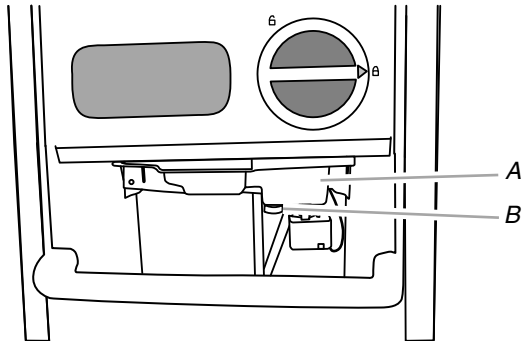
---

Los minerales que son extraídos del agua durante el ciclo de congelación formarán con el tiempo un depósito duro de sarro en el sistema de agua. La limpieza regular del sistema ayuda a quitar las acumulaciones de sarro. La frecuencia con la que necesite limpiar el sistema depende de qué tan dura sea el agua. Con agua dura de 15 a 20 granos por galón (4 a 5 granos por litro), podría ser necesario limpiar el sistema cada 9 meses.

**NOTA:** Use una botella de 16 oz (473 mL) de limpiador aprobado para fábricas de hielo. Para ordenarla, vea la sección "Accesorios".

1. Presione el botón de ON/OFF (Encendido/Apagado).
2. Espere entre 5 y 10 minutos para que el hielo caiga en el depósito de almacenaje. Quite todo el hielo del depósito de almacenaje.
3. Destornille el tapón de desagüe del fondo de la bandeja de agua ubicada dentro del depósito de almacenaje, como se ilustra. Espere hasta que se drene el agua por completo.

4. Vuelva a colocar y asegurar el tapón de desagüe en la bandeja de agua. Si el tapón del desagüe está flojo, el agua se vaciará de la bandeja de agua y usted tendrá hielo muy delgado o no tendrá hielo.
5. Lea y siga toda la información en la botella del limpiador acerca de su uso, antes de completar los pasos a continuación. Use una botella de 16 oz (473 mL) de limpiador aprobado para fábricas de hielo.
6. Vierta una botella de la solución en la bandeja del agua. Llene la botella dos veces con agua del grifo y viértala en la bandeja de agua.



A. Bandeja de agua  
B. Tapón de desagüe

7. Presione el botón de CLEAN (Limpiar). Vea "Uso de los controles". El botón de Clean (Limpiar) destellará indicando que el ciclo de limpieza está en proceso. Cuando se enciende la luz "Cleaning Complete" (Limpieza terminada) (aproximadamente 70 minutos), se completó el ciclo de limpieza. Durante el ciclo de limpieza, el sistema efectuará automáticamente su limpieza y enjuague.
8. Saque la tapa de desagüe de la bandeja de agua después de haber terminado el ciclo de limpieza. Revise si quedó solución de limpieza en la bandeja de agua. Si la solución de limpieza se filtra de la bandeja del agua, usted deberá repetir el ciclo de limpieza. Asegúrese de rellenar la bandeja de agua con limpiador antes de volver a iniciar el ciclo de limpieza. Asegúrese de volver a colocar y asegurar el tapón de desagüe en la bandeja de agua. Si el tapón de desagüe está flojo, el agua se vaciará de la bandeja de agua y usted tendrá hielo muy delgado o no tendrá hielo.

**NOTA:** La gran acumulación de sarro puede requerir la repetición del proceso de limpieza con una solución de limpieza nueva.

9. Presione el botón de ON/OFF (Encendido/Apagado) para reanudar la producción de hielo.

## Condensador

### Un condensador sucio u obstruido:

- Obstruye el flujo apropiado de aire.
- Reduce la capacidad de elaboración del hielo.
- Ocasiona temperaturas más altas que las recomendadas, lo cual puede dar lugar a fallas de los componentes.

## ⚠ ADVERTENCIA



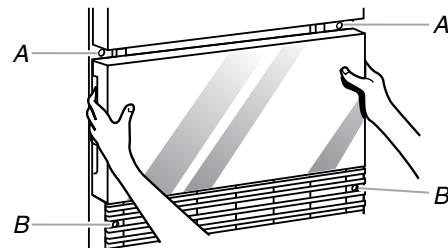
### Peligro de Choque Eléctrico

**Desconecte el suministro de energía antes de limpiarlo.**

**Vuelva a colocar todos los componentes y paneles antes de hacer funcionar.**

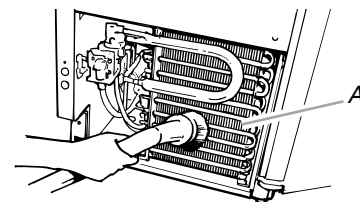
**No seguir estas instrucciones puede ocasionar la muerte o choque eléctrico.**

1. Desenchufe la fábrica de hielo o desconecte el suministro de energía.
2. Quite los dos tornillos del panel de acceso inferior y los dos tornillos de la zona de la rejilla de la base del soporte del panel frontal.
3. Jale la parte inferior hacia adelante y luego hacia abajo para quitar el panel de acceso inferior.



A. Tornillos del panel de acceso inferior  
B. Tornillos de la rejilla de la base

4. Quite la suciedad y pelusa de las aletas del condensador y del compartimiento de la unidad con el cepillo de la aspiradora.



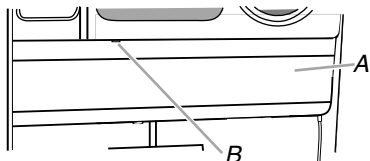
A. Aletas del condensador

5. Vuelva a colocar el panel de acceso inferior usando los cuatro tornillos.
6. Enchufe la fábrica de hielo o reconecte el suministro de energía.



## Componentes interiores

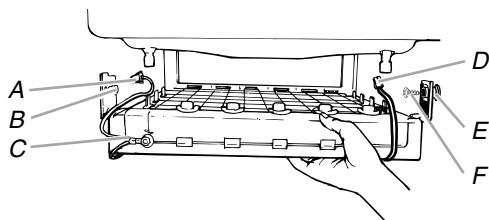
1. Desenchufe la fábrica de hielo o desconecte el suministro de energía.
2. Abra la puerta del depósito de almacenaje y quite el hielo que está en el depósito.
3. Quite el tapón de desagüe de la bandeja de agua y deságüela por completo. Vuelva a colocar el tapón de desagüe en la bandeja, enroscándolo firmemente. Si el tapón de desagüe está flojo, el agua se vaciará de la bandeja de agua y usted tendrá hielo delgado o no tendrá hielo.
4. Quite el tornillo de la cubierta de la rejilla de corte.
5. Desenchufe el arnés de cables del lado izquierdo de la rejilla de corte.



A. Cubierta de la rejilla de corte  
B. Tornillo

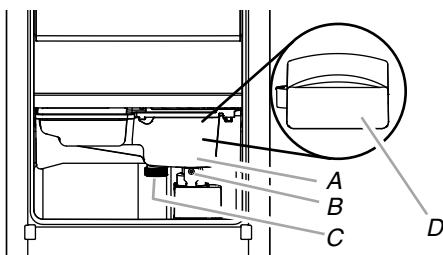
6. Desenchufe el sensor de nivel del hielo del lado derecho de la rejilla de corte. Jale el sensor de nivel del hielo hacia abajo y hacia adelante para separarlo de la rejilla de corte.
7. Quite los tornillos del lado derecho e izquierdo. Levante y saque la rejilla de corte.
 

**NOTA:** Asegúrese de que el espaciador de plástico que se encuentra del lado derecho del soporte de la rejilla de corte permanezca con la rejilla de corte.



A. Arnés de la rejilla de corte      D. Arnés del sensor de nivel del hielo  
B. Tornillo                              E. Espaciador de plástico  
C. Rejilla de corte                    F. Tornillo

8. Quite el tornillo de montaje que sostiene la bandeja de agua en su lugar. Tire de la parte delantera de la bandeja de agua.
9. Desconecte la abrazadera de la bomba de la bandeja de agua y desenchufe la bomba de desagüe de la bandeja de agua.

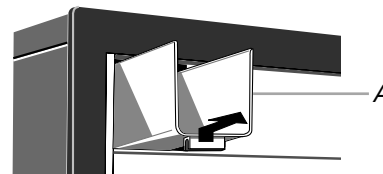


A. Bandeja de agua                      C. Tapón de desagüe  
B. Tornillo de la bandeja de agua    D. Cubierta de la bomba de desagüe

10. Quite, limpie y vuelva a colocar la palita para hielo y su soporte.

**NOTA:** En algunos modelos, el soporte de la palita para hielo está en la parte superior izquierda de la unidad, mientras que en otros modelos está en la parte inferior izquierda.

- Después de quitar la palita para hielo, retire el soporte removiendo los dos tornillos.
- NOTA:** En algunos modelos, retire el soporte de la palita para hielo levantándolo y jalándolo hacia afuera.
- Lave el soporte de la palita para el hielo junto con los otros componentes interiores, siguiendo las instrucciones a continuación.
- Vuelva a colocar los tornillos para instalar nuevamente el soporte de la palita para hielo o, en algunos modelos, empujándolo hacia adentro y luego hacia abajo.



A. Soporte de la palita para hielo

11. Lave con jabón o detergente suave y agua tibia los componentes interiores (la rejilla de corte, el exterior de las mangueras y la bandeja de agua) y el depósito de hielo, la junta de la puerta, la palita para hielo y su soporte. Enjuague en agua limpia. Luego limpie las mismas piezas en una solución de una cucharada (15 mL) de blanqueador doméstico mezclado con 1 galón (3,8 L) de agua tibia. Nuevamente enjuáguelas a fondo en agua limpia.

**NOTA:** No quite las mangueras. No lave las piezas de plástico en la lavavajillas. Estas no pueden soportar temperaturas superiores a los 145°F (63°C).

12. Para volver a colocar la bandeja de agua, coloque la bandeja de agua dentro del depósito de hielo. Conecte la bomba de la bandeja de agua. Vuelva a encajar el soporte de la bomba en la bandeja de agua, y colóquelo de nuevo en su lugar. Asegure la bandeja de agua volviendo a colocar el tornillo de montaje.
13. Verifique lo siguiente:
  - Que el tapón de desagüe de la bandeja de agua esté firme en su lugar. Si el tapón de desagüe está flojo, el agua se vaciará de la bandeja de agua y usted tendrá hielo delgado o no tendrá hielo.
  - Que la manguera de la bandeja de agua esté conectada a la abertura del desagüe del depósito de hielo.
14. Deslice la rejilla de corte hasta colocarla en su lugar, y asegúrela volviendo a colocar el tornillo del lado derecho y el espaciador de plástico. Luego ajuste el tornillo del lado izquierdo. Vuelva a conectar el arnés de la rejilla de corte y del sensor de nivel del hielo.
15. Vuelva a colocar la cubierta de la rejilla de corte con el tornillo que se quitó anteriormente.
16. Limpie el panel de control con cuidado, usando un paño para vajilla con agua tibia y un detergente suave para vajilla.
17. Enchufe la fábrica de hielo o reconecte el suministro de energía.
18. Después de la limpieza, asegúrese de que todos los controles se hayan programado correctamente, y que ningún indicador de control esté destellando.

## Cuidado durante las vacaciones y mudanzas

### **⚠ ADVERTENCIA**



#### **Peligro de Choque Eléctrico**

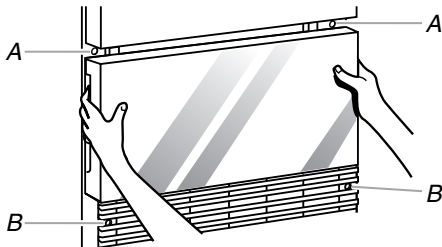
**Desconecte el suministro de energía antes de darle mantenimiento.**

**Vuelva a colocar todos los componentes y paneles antes de hacerlo funcionar.**

**No seguir estas instrucciones puede ocasionar la muerte o choque eléctrico.**

#### **Para apagar la fábrica de hielo:**

1. Desenchufe la fábrica de hielo o desconecte el suministro de energía.
2. Quite todo el hielo del depósito de hielo.
3. Cierre el suministro de agua.
4. Quite los dos tornillos del panel de acceso inferior y los dos tornillos de la zona de la rejilla de la base del soporte del panel frontal. Tire hacia delante para quitar el panel de acceso inferior.



A. Tornillos del panel de acceso inferior  
B. Tornillos de la rejilla de la base

5. Desconecte las líneas de entrada y de salida de la válvula de agua. Deje que esas líneas se desagüen y a continuación vuévalas a conectar a la válvula.
6. Vuelva a colocar el panel de acceso inferior y los tornillos.
7. Quite la tapa de desagüe para drenar el agua de la bandeja de agua.
8. Si se espera que la temperatura ambiente baje de 32°F (0°C), el agua deberá eliminarse de la línea de desagüe.

#### **Para aquellas fábricas de hielo que tienen instalada una bomba de desagüe:**

- Enchufe la fábrica de hielo o reconecte el suministro de energía.
  - Apague la fábrica de hielo y quite todo el hielo que pudiese haber quedado en el depósito de hielo.
  - Vierta un cuarto de galón (0,95 L) de agua en el depósito de hielo cerca del desagüe y deje reposar la fábrica de hielo aproximadamente 5 minutos. Esta operación permitirá que el agua en el recipiente se drene por la bomba de desagüe, de tal manera que la bomba eliminará el agua restante del depósito de hielo y de la bomba de desagüe.
  - Desenchufe la fábrica de hielo o desconecte el suministro de energía.
9. Limpie la fábrica de hielo y el depósito de hielo antes de usarlos nuevamente.
  10. Conecte a un contacto de pared de conexión a tierra de 3 terminales.


**NOTA:** Todos los componentes de la fábrica de hielo vienen con lubricación permanente desde la fábrica. No deberían requerir lubricación adicional durante todo el ciclo vital de la máquina.

# SOLUCIÓN DE PROBLEMAS

Primero pruebe las soluciones sugeridas aquí para evitar el costo de una visita de servicio técnico innecesaria.

## Funcionamiento de la fábrica de hielo

**⚠ ADVERTENCIA**



**Peligro de Choque Eléctrico**

**Conecte a un contacto de pared de conexión a tierra de 3 terminales.**

**No quite la terminal de conexión a tierra.**

**No use un adaptador.**

**No use un cable eléctrico de extensión.**

**No seguir estas instrucciones puede ocasionar la muerte, incendio o choque eléctrico.**

PROBLEMA	SOLUCIONES RECOMENDADAS
<b>La fábrica de hielo no funciona</b>	<p>Verifique que esté conectada a un contacto de pared de conexión a tierra de 3 terminales. Asegúrese de que los controles estén encendidos. Vea “Uso de los controles”.</p> <p>Reemplace el fusible o reconecte el cortacircuitos.</p> <p><b>NOTA:</b> Si los problemas continúan, contacte a un electricista.</p> <p>La temperatura ambiente debe estar por encima de los 55°F (13°C). De otro modo, el termostato del depósito puede detectar la temperatura ambiente fría y apagar la unidad aun cuando el depósito no está lleno de hielo. Es posible que la fábrica de hielo no vuelva a funcionar nuevamente una vez que haya sido apagada.</p> <p>Si se agregó una gran cantidad de agua a la fábrica de hielo, espere unos minutos para que la bomba de desagüe se despeje. Si todavía queda agua en el depósito, verifique si la manguera de desagüe está retorcida.</p> <p>Si el modelo tiene bomba de desagüe, verifique que la manguera de desagüe no esté dañada, retorcida o pellizcada entre el armario y la fábrica de hielo. Utilice únicamente el juego de la bomba de desagüe con el número de pieza 1901A aprobado por Whirlpool.</p>
<b>La fábrica de hielo parece ser ruidosa</b>	<p><b>¿Se está desbordando el agua en la bandeja de agua?</b> Esto es normal. Al desbordarse el agua, se eliminan los minerales que se quitaron del agua durante el proceso de fabricación de hielo.</p> <p><b>¿Se escucha un “zumbido”?</b> Verifique lo siguiente:</p> <ul style="list-style-type: none"><li>■ Asegúrese de que el suministro de agua esté adecuadamente conectado y abierto.</li><li>■ Asegúrese de que la tapa de desagüe esté apretada y que la bomba de agua de la bandeja de desagüe esté bien conectada a la bandeja de agua.</li></ul> <p><b>¿Hay hielo entre la placa del evaporador y la rejilla de corte?</b> Verifique si la fábrica de hielo está nivelada. Vea “Nivelación”. Si la fábrica de hielo está nivelada y el problema continúa, ponga a funcionar un ciclo de limpieza. Vea “Limpieza”.</p> <p>Si la fábrica de hielo está conectada a una presión de suministro de agua de más de 60 lbs/pulg<sup>2</sup>, es posible que se escuche un sonido fuerte durante la carga de agua asociado con el paso de la misma a través de la válvula de entrada. Llame a un plomero competente autorizado para determinar la mejor manera de reducir la presión del suministro de agua (se recomienda que sea de 50 lbs/pulg<sup>2</sup>).</p>

## Producción de hielo

**⚠ ADVERTENCIA**



**Peligro de Choque Eléctrico**

**Desconecte el suministro de energía antes de darle mantenimiento.**

**Vuelva a colocar todos los componentes y paneles antes de hacerlo funcionar.**

**No seguir estas instrucciones puede ocasionar la muerte o choque eléctrico.**

PROBLEMA	SOLUCIONES RECOMENDADAS
<b>La fábrica de hielo funciona pero no produce hielo</b>	<p>Asegúrese de que el control esté encendido.</p> <p>Asegúrese de que el suministro de agua esté adecuadamente conectado y abierto.</p> <p>Si la tapa de desagüe está floja, el agua se vaciará de la bandeja de agua y usted tendrá hielo delgado o no tendrá hielo. Apriete la tapa de desagüe.</p> <p>Limpie el tubo de desagüe.</p> <p>Asegúrese de que no haya torceduras en la línea de desagüe.</p>
<b>La fábrica de hielo funciona pero produce muy poco hielo</b>	<p><b>¿Está encendida la característica de producción acelerada de hielo?</b> Esta característica aumenta el ritmo de producción de hielo para proveer más hielo en la misma cantidad de tiempo. Vea “Uso de los controles”.</p> <p>La temperatura ambiente superior a 90°F (32°C) por lo general reducirá la producción del hielo.</p> <p>Suciedad o pelusa pueden estar obstruyendo el flujo de aire a través del condensador. Vea “Condensador” en la sección “Limpieza”.</p> <p>Si hay acumulación de sarro blanco en el sistema de congelación o del agua de la unidad, usted deberá limpiar la fábrica de hielo. Consulte “Componentes interiores” en la sección “Limpieza”.</p> <p>Si la tapa de desagüe está floja, el agua se vaciará de la bandeja de agua y usted tendrá hielo delgado o no tendrá hielo. Apriete la tapa de desagüe.</p> <p>Asegúrese de que la rejilla de corte esté firme en su lugar y de que esté conectado su enchufe del arnés. Vea la sección “Componentes interiores” de “Limpieza” para leer las instrucciones sobre cómo quitar la rejilla de corte.</p> <p>Verifique que el filtro de agua esté instalado correctamente.</p>

## Calidad del hielo

PROBLEMA	SOLUCIONES RECOMENDADAS
<b>El hielo tiene mal sabor, mal olor o un color grisáceo</b>	<p><b>¿Hay un contenido alto de minerales en el suministro de agua?</b> Puede ser necesario tratar el agua.</p> <p><b>¿Se ha formado una capa de minerales?</b> Limpie su fábrica de hielo. Vea “Sistema de la fábrica de hielo” en la sección “Limpieza”.</p> <p>No guarde alimentos en el depósito de hielo.</p> <p>Asegúrese de haber quitado todos los materiales de empaque en el momento de la instalación.</p>
<b>Hielo delgado, blando o aglutinado</b>	<p><b>¿Hay un contenido alto de minerales en el suministro de agua?</b> Puede ser necesario tratar el agua.</p> <p><b>¿Se ha formado una capa de minerales?</b> Limpie su fábrica de hielo. Vea “Sistema de la fábrica de hielo” en la sección “Limpieza”.</p> <p><b>¿Hay hielo aglutinado en el depósito?</b> Si no se usa el hielo regularmente, se derretirá y formará bloques. Rompa los bloques con la palita para el hielo provista.</p>

### **ADVERTENCIA**

#### Peligro de Peso Excesivo

**Use dos o más personas para mover e instalar la fábrica de hielo.**

**No seguir esta instrucción puede ocasionar una lesión en la espalda u otro tipo de lesiones.**

#### PROBLEMA

#### SOLUCIONES RECOMENDADAS

**El agua no entra al desagüe correctamente**

**¿Está alineada la manguera de desagüe sobre el desagüe?** Mueva la fábrica de hielo para alinear el desagüe. Vea “Conexión del suministro de agua”.

**NOTA:** Los técnicos de servicio no pueden reparar los problemas de plomería presentes fuera de la fábrica de hielo. Llame a un plomero competente autorizado.

## AYUDA O SERVICIO TÉCNICO

Antes de solicitar ayuda o servicio técnico, por favor consulte la sección “Solución de problemas”. Esto le podría ahorrar el costo de una visita de servicio técnico. Si considera que aún necesita ayuda, siga las instrucciones que aparecen a continuación.

Cuando llame, tenga a mano la fecha de compra y el número completo del modelo y de la serie de su electrodoméstico. Esta información nos ayudará a atender mejor a su pedido.

#### Si necesita piezas de repuesto

Si necesita pedir piezas de repuesto, recomendamos que use únicamente piezas especificadas de fábrica. Estas piezas de repuesto especificadas de fábrica encajarán bien y funcionarán bien ya que están confeccionadas con la misma precisión empleada en la fabricación de cada electrodoméstico nuevo de KITCHENAID®.

Para encontrar piezas especificadas de fábrica en su localidad, llámenos o llame al centro de servicio técnico designado de KitchenAid más cercano.

### En los EE.UU.

Llame al Centro para la eXperiencia del cliente de KitchenAid sin costo alguno al: **1-800-422-1230** o visite nuestro sitio de internet en **www.kitchenaid.com**.

#### Nuestros consultores ofrecen ayuda para:

- Características y especificaciones de nuestra línea completa de electrodomésticos.
- Información sobre la instalación.
- Procedimiento para el uso y mantenimiento.
- Venta de accesorios y partes para reparación.
- Asistencia especializada para el consumidor (habla hispana, problemas de audición, visión limitada, etc.).
- Recomendaciones con distribuidores locales, compañías que dan servicio y distribuidores de partes para reparación. Los técnicos de servicio designados por KitchenAid están capacitados para cumplir con la garantía del producto y ofrecer servicio una vez que la garantía termine, en cualquier lugar de los Estados Unidos.

Para localizar a una compañía de servicio designada por KitchenAid en su área, también puede consultar la sección amarilla de su guía telefónica.

#### Para obtener asistencia adicional

Si necesita asistencia adicional, puede escribir a KitchenAid con sus preguntas o dudas a:

KitchenAid Brand Home Appliances  
Customer eXperience Center  
553 Benson Road  
Benton Harbor, MI 49022-2692

Por favor incluya en su correspondencia un número de teléfono en el que se le pueda localizar durante el día.

## Accesorios

Para hacer un pedido de accesorios, en los EE.UU., visite nuestra página de internet, [www.kitchenaid.com/accessories](http://www.kitchenaid.com/accessories) o llame al 1-800-901-2042.

En Canadá, visite nuestra página de internet, [www.whirlpoolparts.ca](http://www.whirlpoolparts.ca) o llame al 1-800-807-6777.

### Filtro de agua

Pida la pieza N° F2WC9I1 o ICE2

### Limpiador

Pida la pieza N° 4396808

### Limpiador de acero inoxidable affresh®\*

En los EE.UU., pida la pieza N° W10355016

En Canadá, pida la pieza N° W10355016B

### Toallitas húmedas para acero inoxidable affresh®\*

En los EE.UU., pida la pieza N° W10355049

En Canadá, pida la pieza N° W10355049B

### Limpiador para cocina y electrodomésticos affresh®\*

En los EE.UU., pida la pieza N° W10355010

En Canadá, pida la pieza N° W10355010B

\*®affresh es una marca registrada de Whirlpool, EE.UU.

# HOJA DE DATOS DEL RENDIMIENTO

## Sistema de filtración de agua de la fábrica de hielo Modelo P6GEG2KL, P6KG2KL, P6WG2KL Capacidad de 2000 galones (7571 litros)



Sistema comprobado y certificado por NSF International, según la norma 42 NSF/ANSI para la reducción de cloro, sabor y olor.

Este sistema ha sido comprobado según la norma 42 NSF/ANSI para la reducción de las sustancias citadas a continuación. La concentración de las sustancias indicadas en agua entrando al sistema fue reducida a una concentración menor o igual al límite permitido para agua saliendo del sistema, tal como se especifica en la norma 42 NSF/ANSI.

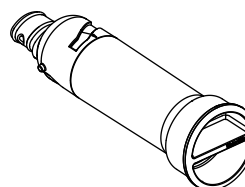
Reducción de sustancias Efectos estéticos	Requisitos de reducción de NSF	Promedio influyente	Concentración en el agua a tratar	Máximo efluente	Promedio efluente	% Mínimo de reducción	% Promedio de reducción
Cloro, sabor/olor	50% reducción	1,9727 mg/L	2,0 mg/L ± 10 %	0,71 mg/L	0,7788 mg/L	70,2	72,81

Parámetros de la prueba: pH = 7,5 ± 0,5 si no se indica lo contrario. Flujo = 0,50 gpm (1,89 Lpm). Presión = 60 lbs/pulg<sup>2</sup> (413,7 kPa). Temp. = 68°F a 71,6°F (20°C a 22°C). Capacidad nominal de servicio = 2000 galones (7571 litros).

- Es esencial que los requerimientos de operación, mantenimiento y reemplazo del filtro se lleven a cabo para que el producto se desempeñe tal como se ofrece en la publicidad.
- Use el filtro de repuesto P6RFGW2K, P6RFGEG2K, P6RFGK2K, pieza N° ICE2.  
**Estilo 1**—Cuando la pantalla de estado del filtro de agua cambie de “GOOD” (Bueno) a “ORDER” (Pedir), pida un nuevo filtro. Cuando el indicador del filtro muestre “REPLACE” (Reemplazar), se recomienda que reemplace el filtro.  
**Estilo 2**—Presione FILTER (Filtro) para controlar el estado de su filtro de agua. Si la luz indicadora del filtro está amarilla y la frase “ORDER FILTER” (Pedir filtro) aparece en la pantalla, pida un nuevo filtro. Si la luz indicadora está roja, se recomienda que reemplace el filtro.
- Estos contaminantes no se encuentran necesariamente en su suministro de agua. Si bien se realizaron las pruebas bajo condiciones de laboratorio estándares, el desempeño real puede variar.
- El producto es para uso con agua fría únicamente.
- No use con agua que no sea microbiológicamente segura o que sea de calidad desconocida sin desinfectarla adecuadamente antes o después del sistema.
- Refiérase a la sección “Garantía” para obtener el nombre, dirección y número telefónico del fabricante.
- Refiérase a la sección “Garantía” para verificar la garantía limitada del fabricante.

### Pautas de aplicación/Parámetros para el suministro de agua

Suministro de agua	Municipal o de pozo
Presión del agua	30 - 120 lbs/pulg <sup>2</sup> (207 - 827 kPa)
Temperatura del agua	33° - 100°F (0,6° - 37,8°C)
Flujo nominal de servicio	0,50 gpm (1,89 Lpm) @ 60 lbs/pulg <sup>2</sup>



---

# GARANTÍA DE LA FÁBRICA DE HIELO DE KITCHENAID®

---

## GARANTÍA LIMITADA DE TRES AÑOS (EN LAS PIEZAS Y LA MANO DE OBRA)

Durante tres años a partir de la fecha de compra, siempre y cuando este electrodoméstico principal haya sido instalado, operado y mantenido según las instrucciones adjuntas o provistas con el producto, la marca KitchenAid de Whirlpool Corporation o Whirlpool Canada LP (en lo sucesivo denominada "KitchenAid") pagará por las piezas de repuesto especificadas de fábrica y los costos de mano de obra para corregir defectos en los materiales o la fabricación, existentes en el momento de la compra de este electrodoméstico principal.

## GARANTÍA LIMITADA DEL CUARTO AL QUINTO AÑO (SOLAMENTE EN LAS PIEZAS DEL SISTEMA DE REFRIGERACIÓN SELLADO - NO SE INCLUYE LA MANO DE OBRA)

Del cuarto al quinto año a partir de la fecha de compra original, cuando este electrodoméstico principal sea instalado, operado y mantenido de acuerdo a las instrucciones adjuntas o provistas con el producto, KitchenAid pagará por las piezas especificadas de fábrica para los siguientes componentes, para corregir defectos de material o de mano de obra que no sean estéticos en el sistema de refrigeración sellado, existentes en el momento de la compra de este electrodoméstico principal: compresor, evaporador, condensador, secador/colador y los tubos conectores. Esta garantía limitada de 5 años es solamente para las piezas de repuesto del sistema de refrigeración sellado como se han señalado y no incluye la mano de obra.

SU ÚNICO Y EXCLUSIVO RECURSO SEGÚN LOS TÉRMINOS DE LA GARANTÍA LIMITADA SERÁ EL DE REPARAR EL PRODUCTO SEGÚN SE ESTIPULA EN LA PRESENTE. El servicio deberá ser provisto por una compañía de servicio designada por KitchenAid. Esta garantía limitada es válida solamente en Estados Unidos o en Canadá y se aplica solamente cuando el electrodoméstico principal se use en el país en el que se ha comprado. Esta garantía limitada entrará en vigor a partir de la fecha de la compra del consumidor original. Se requiere una prueba de la fecha de compra original para obtener servicio bajo esta garantía limitada.

---

## EXCLUSIONES DE LA GARANTÍA

### Esta garantía limitada no cubre:

1. Piezas de repuesto o mano de obra si este electrodoméstico principal se usa de un modo diferente al doméstico normal de una familia, o cuando se use de un modo contrario a las instrucciones publicadas para el usuario u operador y/o las instrucciones de instalación.
2. Visitas de servicio técnico para corregir la instalación de su electrodoméstico principal, para enseñarle a usar su electrodoméstico principal, para cambiar o reparar fusibles domésticos o para corregir la instalación eléctrica o de la tubería de la casa.
3. Visitas de servicio técnico para reparar o reemplazar focos para electrodomésticos, filtros de aire o filtros de agua. Las piezas de consumo están excluidas de la cobertura de la garantía.
4. Daños causados por accidente, alteración, uso indebido, abuso, incendio, inundación, actos fortuitos, instalación incorrecta, instalación que no esté de acuerdo con los códigos eléctricos o de plomería, o el empleo de productos no aprobados por KitchenAid.
5. Daños estéticos, incluyendo rayaduras, abolladuras, desportilladuras u otro daño al acabado de su electrodoméstico principal, a menos que el mismo sea debido a defectos en los materiales o la mano de obra y se le informe a KitchenAid en un lapso de 30 días a partir de la fecha de compra.
6. Cualquier pérdida de comida o medicamentos debido a fallas del refrigerador o del congelador.
7. Recogida y entrega. Este electrodoméstico principal se ha destinado para ser reparado en su hogar.
8. Reparaciones de piezas o sistemas como resultado de modificaciones no autorizadas que se hayan efectuado en el electrodoméstico.
9. Gastos de viaje y transporte para obtener servicio para el producto, si su electrodoméstico principal está ubicado en un lugar remoto en el cual no haya disponible un técnico de servicio autorizado por KitchenAid.
10. La remoción y reinstalación de su electrodoméstico principal, si estuviera instalado en un lugar inaccesible o si no estuviera instalado de conformidad con las instrucciones de instalación publicadas por KitchenAid.
11. Piezas de repuesto o mano de obra en electrodomésticos principales con números de modelo/serie originales que se hayan removido, alterado o que no puedan ser identificados con facilidad.
12. Decoloración, herrumbre u oxidación de las superficies de acero inoxidable.

**El costo de la reparación o el reemplazo bajo estas circunstancias excluidas correrá por cuenta del cliente.**

---

## EXCLUSIÓN DE GARANTÍAS IMPLÍCITAS

LAS GARANTÍAS IMPLÍCITAS, INCLUYENDO CUALQUIER GARANTÍA IMPLÍCITA DE COMERCIABILIDAD O GARANTÍA IMPLÍCITA DE CAPACIDAD PARA UN PROPÓSITO PARTICULAR, SERÁN LIMITADAS A UN AÑO O AL PERÍODO MÁS CORTO PERMITIDO POR LEY. Algunos estados y provincias no permiten la limitación de la duración de garantías implícitas de comerciabilidad o capacidad, de modo que la limitación arriba indicada quizás no le corresponda. Esta garantía le otorga derechos legales específicos y es posible que usted tenga también otros derechos que varían de un estado a otro o de una provincia a otra.

---

## EXCLUSIÓN DE DECLARACIONES FUERA DE LA GARANTÍA

KitchenAid no hace declaraciones acerca de la calidad, durabilidad o necesidad de servicio técnico o reparación de este electrodoméstico principal aparte de las declaraciones incluidas en esta Garantía. Si usted desea una garantía con una duración más prolongada o más completa que la garantía limitada que se incluye con este electrodoméstico principal, deberá preguntar a KitchenAid o a su distribuidor acerca de la compra de una garantía extendida.

---

### LIMITACIÓN DE RECURSOS; EXCLUSIÓN DE DAÑOS INCIDENTALES Y CONSECUENTES

SU ÚNICO Y EXCLUSIVO RECURSO SEGÚN LOS TÉRMINOS DE ESTA GARANTÍA LIMITADA SERÁ EL DE REPARAR EL PRODUCTO SEGÚN SE ESTIPULA EN LA PRESENTE. KITCHENAID NO SE RESPONSABILIZARÁ POR DAÑOS INCIDENTALES O CONSECUENTES. Algunos estados y provincias no permiten la exclusión o limitación de daños incidentales o consecuentes, de modo que estas limitaciones y exclusiones quizás no le correspondan. Esta garantía le otorga derechos legales específicos y es posible que usted tenga también otros derechos que varían de un estado a otro o de una provincia a otra.

---

Si usted se encuentra fuera de los cincuenta Estados Unidos y Canadá, póngase en contacto con su distribuidor autorizado de KitchenAid para determinar si corresponde otra garantía.

Si considera que necesita servicio de reparación, consulte primero la sección "Solución de problemas" del Manual de uso y cuidado. Si no ha podido resolver el problema después de consultar la sección "Solución de problemas", puede encontrar ayuda adicional en la sección "Ayuda o servicio técnico," o llamando a KitchenAid. En los EE.UU., llame al **1-800-422-1230**. En Canadá, llame al **1-800-807-6777**.

2/11

---

**Guarde este libro y su comprobante de compra juntos para referencia futura. Usted deberá proporcionar el comprobante de la compra o una fecha de instalación para obtener servicio bajo la garantía.**

Escriba la siguiente información acerca de su electrodoméstico principal para ayudarlo mejor a obtener asistencia o servicio técnico si alguna vez llegara a necesitarlo. Deberá tener a mano el número completo del modelo y de la serie. Usted puede encontrar esta información en la etiqueta con el número de modelo y de serie ubicada en el producto.

Nombre del distribuidor \_\_\_\_\_

Dirección \_\_\_\_\_

Número de teléfono \_\_\_\_\_

Número de modelo \_\_\_\_\_

Número de serie \_\_\_\_\_

Fecha de compra \_\_\_\_\_



# SÉCURITÉ DE LA MACHINE À GLAÇONS

## Votre sécurité et celle des autres est très importante.

Nous donnons de nombreux messages de sécurité importants dans ce manuel et sur votre appareil ménager. Assurez-vous de toujours lire tous les messages de sécurité et de vous y conformer.



Voici le symbole d'alerte de sécurité.

Ce symbole d'alerte de sécurité vous signale les dangers potentiels de décès et de blessures graves à vous et à d'autres.

Tous les messages de sécurité suivront le symbole d'alerte de sécurité et le mot "DANGER" ou "AVERTISSEMENT". Ces mots signifient :

**⚠ DANGER**

**Risque possible de décès ou de blessure grave si vous ne suivez pas immédiatement les instructions.**

**⚠ AVERTISSEMENT**

**Risque possible de décès ou de blessure grave si vous ne suivez pas les instructions.**

Tous les messages de sécurité vous diront quel est le danger potentiel et vous disent comment réduire le risque de blessure et ce qui peut se produire en cas de non-respect des instructions.

## IMPORTANTES INSTRUCTIONS DE SÉCURITÉ

**AVERTISSEMENT :** Pour réduire le risque d'incendie, de choc électrique ou de blessures lors de l'utilisation de la machine à glaçons, il convient d'observer certaines précautions élémentaires :

- Brancher sur une prise à 3 alvéoles reliée à la terre.
- Ne pas enlever la broche de liaison à la terre.
- Ne pas utiliser un adaptateur.
- Ne pas utiliser un câble de rallonge.
- Débrancher la source de courant électrique avant de nettoyer manuellement les composants intérieurs.
- Déconnecter la source de courant électrique avant l'entretien.
- Replacer pièces et panneaux avant de faire la remise en marche.
- Utiliser deux personnes ou plus pour déplacer et installer la machine à glaçons.

**CONSERVEZ CES INSTRUCTIONS**

Avertissements de la proposition 65 de l'État de Californie :

**AVERTISSEMENT :** Ce produit contient au moins un produit chimique connu par l'État de Californie pour être à l'origine de cancers.

**AVERTISSEMENT :** Ce produit contient au moins un produit chimique connu par l'État de Californie pour être à l'origine de malformations et autres déficiences de naissance.

# INSTRUCTIONS D'INSTALLATION

## Déballage de la machine à glaçons

### **⚠ AVERTISSEMENT**

#### Risque du poids excessif

Utiliser deux ou plus de personnes pour déplacer et installer la machine à glaçons.

Le non-respect de cette instruction peut causer une blessure au dos ou d'autre blessure.

### Enlèvement des matériaux d'emballage

Enlever le ruban adhésif et la colle de la machine à glaçons avant de l'utiliser.

- Pour enlever ce qui reste du ruban adhésif ou de la colle de la surface extérieure de la machine à glaçons, frotter la surface vivement avec le pouce. La colle ou l'adhésif qui reste peut être facilement enlevé(e) en frottant une petite quantité de savon à vaisselle liquide sur l'adhésif avec les doigts. Rincer à l'eau tiède et essuyer.
- Ne pas utiliser d'instruments acérés, d'alcool à friction, de liquides inflammables ou de nettoyants abrasifs pour enlever le ruban adhésif ou la colle. Ne pas utiliser d'agent de blanchiment au chlore sur les surfaces en acier inoxydable de la machine à glaçons. Ces produits peuvent endommager la surface de votre machine à glaçons.

### Nettoyage avant l'utilisation

Après avoir enlevé tous les matériaux d'emballage, nettoyer l'intérieur de la machine à glaçons avant de l'utiliser. Voir les instructions de nettoyage dans la section "Entretien de la machine à glaçons".

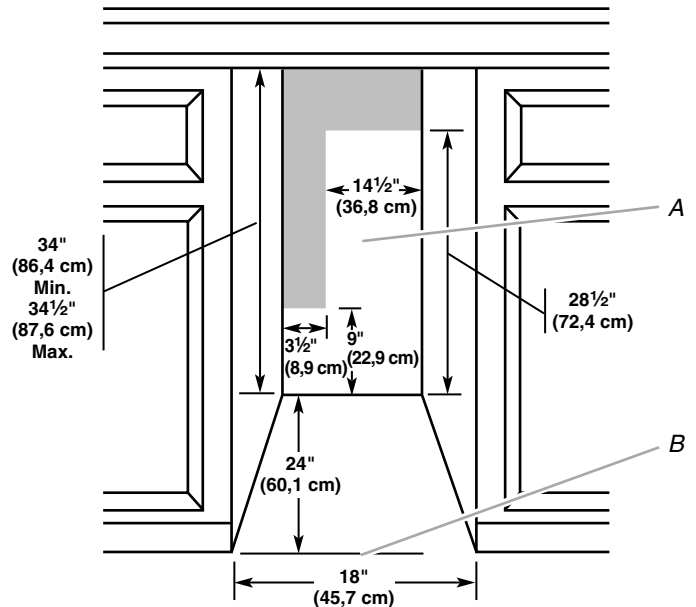
## Exigences d'installation

- Pour assurer une bonne aération de la machine à glaçons, l'avant doit être complètement dégagé. Les trois autres côtés et le dessus de la machine à glaçons peuvent se trouver dans une cavité, mais l'installation doit permettre de tirer la machine à glaçons vers l'avant pour l'entretien, si nécessaire.
- Pour installer la machine à glaçons, il faut avoir un tuyau souple d'alimentation en eau froide de 1/4" (6,35 mm) de diamètre extérieur en cuivre avec un robinet d'arrêt ou un tuyau d'alimentation Whirlpool, pièce numéro 8212547RB, et une pompe de vidange approuvée par Whirlpool pièce numéro 1901A pour acheminer l'eau vers un drain existant.
- Choisir un endroit bien aéré où la température est supérieure à 55°F (13°C) et inférieure à 100°F (38°C). Pour tirer le meilleur rendement de l'appareil, la température ambiante doit se situer entre 70°F et 90°F (21°C et 32°C).
- La machine à glaçons doit être installée à un endroit protégé contre les éléments, comme le vent, la pluie, les embruns ou les égouttures.
- Lorsque la machine à glaçons est installée sous un comptoir, observer les dimensions d'ouverture recommandées. Placer les composants électriques et de plomberie dans la zone recommandée sur l'illustration.

#### REMARQUES :

- Vérifier que le cordon d'alimentation n'est pas endommagé, déformé ou coincé entre la machine à glaçons et la caisse de l'appareil.

- Vérifier que la canalisation d'alimentation en eau n'est pas endommagée, déformée ou coincée entre la machine à glaçons et la caisse de l'appareil.
- Vérifier que la canalisation d'évacuation (sur certains modèles) n'est pas endommagée, déformée ou coincée entre la machine à glaçons et la caisse de l'appareil.



A. Zone recommandée pour les composants électriques et de plomberie  
B. Niveau du plancher

- Il est recommandé de choisir un emplacement où le plancher est de niveau. Il est important que la machine à glaçons soit d'aplomb pour bien fonctionner. Au besoin, il est possible de régler la hauteur de la machine à glaçons en changeant la position des pieds de nivellement. Voir la section "Nivellement".

## Spécifications électriques

### **⚠ AVERTISSEMENT**



#### Risque de choc électrique

Brancher sur une prise à 3 alvéoles reliée à la terre.

Ne pas enlever la broche de liaison à la terre.

Ne pas utiliser un adaptateur.

Ne pas utiliser un câble de rallonge.

Le non-respect de ces instructions peut causer un décès, un incendie ou un choc électrique.

Avant de déplacer la machine à glaçons à son emplacement définitif, il est important de s'assurer que le raccordement électrique a été fait correctement :

Il faut un circuit d'alimentation électrique CA seulement de 115 volts, 60 Hz, de 15 ou 20 ampères, mis à la terre

conformément aux instructions du Code national de l'électricité et des codes et règlements locaux.

Il est recommandé de réserver un circuit spécial à la machine à glaçons. Utiliser une prise où l'alimentation ne peut pas être coupée à l'aide d'un commutateur ou d'un interrupteur à tirage.

**IMPORTANT :** Si ce produit est connecté à une prise dotée d'un disjoncteur de fuite à la terre, un déclenchement intempestif peut se produire et causer une perte de refroidissement. La qualité des glaçons peut en être affectée. Si un déclenchement intempestif se produit et si les glaçons semblent être de piètre qualité, jeter le tout.

### Méthode de mise à la terre recommandée

La machine à glaçons doit être reliée à la terre. La machine à glaçons comporte un cordon d'alimentation électrique à trois broches pour la mise à la terre. Le cordon d'alimentation électrique doit être branché sur une prise de courant murale de liaison à la terre de configuration correspondante, à trois alvéoles, reliée à la terre conformément au Code national de l'électricité et aux codes et règlements locaux. S'il n'y a pas de prise de courant correspondante, il incombe au client de faire installer une prise de courant murale à trois alvéoles avec mise à la terre par un électricien qualifié.

## Spécifications de l'alimentation en eau

S'assurer que les tuyaux d'alimentation en eau sont protégés contre le gel. La formation de glace dans les canalisations d'arrivée d'eau peut entraîner une élévation de la pression en eau et endommager la machine à glaçons ou le domicile. La garantie de l'appareil ne couvre pas les dommages imputables au gel.

Une alimentation en eau froide avec une pression entre 30 et 120 lb/po<sup>2</sup> (207 et 827 kPa) est nécessaire pour faire fonctionner la machine à glaçons. Si vous avez des questions au sujet de la pression de votre eau, appeler un plombier qualifié agréé.

### Alimentation en eau par osmose inverse

#### IMPORTANT :

- Un système d'osmose inverse n'est pas recommandé pour les machines à glaçons équipées d'une pompe de vidange.
- Pour les systèmes de vidange par gravité uniquement.
- La pression de l'approvisionnement en eau provenant d'un système d'osmose inverse allant au robinet d'arrivée d'eau de la machine à glaçons doit être comprise entre 30 et 120 lb/po<sup>2</sup> (207 et 827 kPa).

Si un système de filtration de l'eau par osmose inverse est raccordé à votre approvisionnement en eau froide, la pression de l'eau au système d'osmose inverse doit être de 40 à 60 lb/po<sup>2</sup> (276 à 414 kPa) minimum.

**REMARQUE :** Le système par osmose inverse doit fournir 1 gal. (3,8 L) d'eau par heure à la machine à glaçons pour un fonctionnement approprié de la machine à glaçons. Si l'on souhaite un système d'eau par osmose inverse, il est recommandé d'utiliser uniquement un système de filtration de l'eau par osmose inverse central, capable de maintenir l'approvisionnement régulier en eau requis par la machine à glaçons. Les systèmes par osmose inverse à capacité de robinet ne peuvent pas maintenir l'approvisionnement régulier en eau requis par la machine à glaçons.

Si la pression de l'eau au système d'osmose inverse est inférieure à 40 à 60 lb/po<sup>2</sup> (276 à 414 kPa) :

- Vérifier si le filtre à sédiment du système d'osmose inverse est bloqué et le remplacer si nécessaire.
- Laisser le réservoir du système d'osmose inverse se remplir après une utilisation intense.

Si vous avez des questions au sujet de la pression de votre eau, appeler un plombier qualifié agréé.

## Vacances ou longue période d'inutilisation

- Si vous ne devez pas utiliser la machine à glaçons pendant une longue période, couper l'arrivée d'eau et l'alimentation électrique de la machine à glaçons.
- S'assurer que les tuyaux d'alimentation en eau sont protégés contre le gel. La formation de glace dans les canalisations d'arrivée d'eau peut entraîner une élévation de la pression en eau et endommager la machine à glaçons ou le domicile. La garantie de l'appareil ne couvre pas les dommages imputables au gel.

## Raccordement à la canalisation d'eau

Lire toutes les instructions avant de commencer.

#### IMPORTANT :

- L'installation du circuit de plomberie doit être conforme au Code International de plomberie et respecter les codes et règlements locaux de plomberie.
- Utiliser un tuyau en cuivre ou le tuyau d'alimentation Whirlpool, pièce numéro 8212547RP et vérifier s'il y a des fuites.
- Installer les tuyaux seulement là où les températures resteront au-dessus du point de congélation.

#### Outillage nécessaire

Rassembler les outils et pièces nécessaires avant de commencer l'installation :

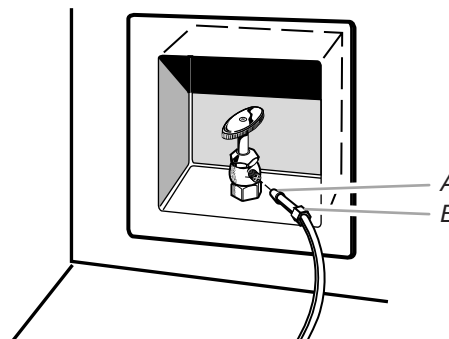
- Tournevis à lame plate
- Clés plates de 7/16" et de 1/2" ou deux clés à molette
- Tourne-écrou de 1/4"

**REMARQUE :** Ne pas utiliser de robinet d'arrêt de type perforant ou à étrier de 3/16" (4,76 mm) qui réduit le débit d'eau et qui se bouche plus facilement.

### Raccordement du tuyau d'eau

1. Couper l'alimentation principale en eau. Ouvrir le robinet le plus proche assez longtemps pour vider l'eau du tuyau.
2. À l'aide d'un tuyau d'alimentation en cuivre de 1/2" avec une valve d'arrêt tournée de un quart de tour ou l'équivalent, raccorder la machine à glaçons tel qu'illustré.

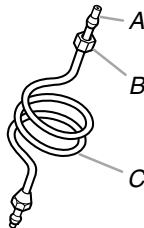
**REMARQUE :** Pour que la machine à glaçons reçoive un débit d'eau suffisant, on recommande l'emploi d'une canalisation d'alimentation domestique en cuivre de 1/2" minimum de diamètre.



A. Renflement  
B. Écrou

3. On est maintenant prêt à connecter le tuyau en cuivre. Utiliser un tuyau en cuivre souple de 1/4" (6,35 mm) de diamètre extérieur pour l'alimentation en eau froide.

- S'assurer d'avoir la longueur nécessaire pour le raccordement. S'assurer que les deux extrémités du tuyau en cuivre sont bien coupées à angle droit.
- Installer le manchon et l'écrou à compression sur le tuyau en cuivre (voir l'illustration). Insérer l'extrémité du tuyau de sortie aussi profondément que possible dans l'extrémité de sortie et à l'équerre. Visser l'écrou à compression sur l'extrémité de la sortie à l'aide d'une clé à molette. Ne pas serrer à l'excès.



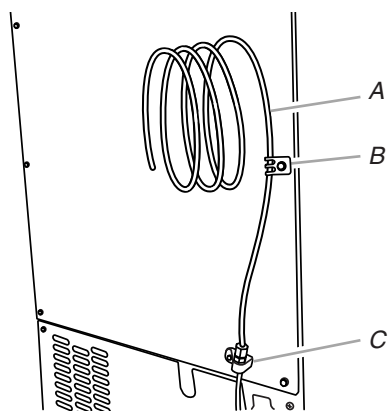
A. Manchon à compression  
B. Écrou de compression  
C. Tuyau en cuivre

4. Placer l'extrémité libre du tuyau dans un contenant ou évier et rétablir l'alimentation principale en eau pour nettoyer le tuyau jusqu'à ce que l'eau en sorte claire. Fermer le robinet d'arrêt sur le tuyau d'alimentation en eau.

**REMARQUE :** Toujours vidanger le tuyau d'alimentation en eau avant de faire le raccordement final sur l'entrée du robinet pour empêcher tout mauvais fonctionnement éventuel du robinet.

5. Courber le tuyau de cuivre de façon à faire un raccordement sur l'entrée du robinet qui se trouve à l'arrière de la caisse de la machine à glaçons (voir l'illustration). Laisser un serpentín de tube en cuivre pour permettre de sortir la machine à glaçons du placard ou du mur en cas d'intervention de service.

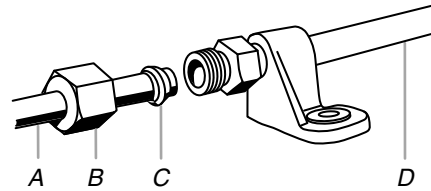
#### Vue arrière



A. Tuyau en cuivre  
B. Bride du tuyau d'alimentation en eau  
C. Bride pour tuyau d'admission d'eau et connecteur à la canalisation d'alimentation en eau

6. Retirer et jeter le tube court noir en plastique de l'extrémité du tuyau d'admission d'eau.
7. Visser l'écrou sur l'extrémité du tuyau. Serrer l'écrou manuellement. Ensuite le serrer deux tours de plus avec une clé. Ne pas serrer à l'excès.

**REMARQUE :** Pour éviter les vibrations, veiller à ce que le tuyau en cuivre ne soit pas en contact avec les parois latérales de la caisse ou d'autres composants à l'intérieur de la caisse.



A. Canalisation jusqu'à la machine à glaçons  
B. Écrou (acheté)  
C. Virole (achetée)  
D. Canalisation d'alimentation en eau de la machine à glaçons (fournie)

8. Installer la bride du tuyau d'alimentation en eau autour de la canalisation d'alimentation en eau pour réduire la tension sur le raccord.
9. OUVRIR le robinet d'arrêt.
10. Vérifier l'absence de fuites. Serrer tous les raccords (y compris les raccordements du robinet) ou les écrous qui fuient.

## Installation de la pompe de vidange (sur certains modèles)

**REMARQUE :** Raccorder la pompe de vidange à la canalisation d'évacuation conformément aux codes et règlements locaux et fédéraux. Il serait souhaitable d'isoler le tube de vidange complètement jusqu'à l'entrée du conduit de vidange afin de minimiser la condensation dans le tube de vidange. Il est possible d'acheter un ensemble de tube isolé—pièce numéro W10365792. La pompe de vidange est conçue pour pomper l'eau jusqu'à une hauteur maximale de 10 pieds (3 m). Utiliser seulement l'ensemble de la pompe de vidange approuvée par Whirlpool pièce numéro 1901A. Ne pas raccorder l'extrémité de sortie du tuyau de vidange à un système de canalisation fermé afin d'empêcher l'eau de vidange de refouler dans la machine à glaçons.

#### Contenu de l'ensemble :

- Ensemble de la pompe de vidange pièce numéro 1901A
- Tube de vidange de 5/8" de diamètre interne x 5 1/8" (du bac à glaçons vers l'entrée du réservoir de la pompe de vidange)
- Tuyau de vidange de 1/2" de diamètre interne x 10 pi (3 m) (du tuyau d'évacuation de la pompe de vidange au système d'évacuation de la maison)
- Tuyau de ventilation de 5/16" de diamètre interne x 32" (81 cm) (du tube de ventilation du réservoir de la pompe de vidange à l'arrière de la caisse de la machine à glaçons)
- Brides de câble (pour fixer le tuyau de ventilation à l'arrière de la machine à glaçons) (3)
- Vis de montage de pompe n° 8-32 x 3/8" (pour fixer la pompe de vidange à la plaque de base et les brides à l'arrière de la machine à glaçons) (5)
- Petite bride réglable de tuyau de 5/8" (pour fixer le tuyau de ventilation sur la pompe)
- Grosse bride réglable de 7/8" (pour fixer le tube de vidange au bac à glaçons et à l'entrée du réservoir de la pompe de vidange) (3)
- Panneau arrière (2)
- Fiche d'instructions

## Si la machine à glaçons est installée :

**REMARQUE :** Si la machine à glaçons n'est pas installée, passer à la section "Installation de la pompe de vidange".

1. Appuyer sur le commutateur de sélection pour le mettre en position d'arrêt.

## **⚠ AVERTISSEMENT**



### Risque de choc électrique

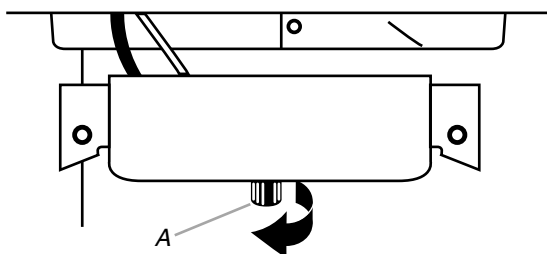
**Déconnecter la source de courant électrique avant l'entretien.**

**Replacer pièces et panneaux avant de faire la remise en marche.**

**Le non-respect de ces instructions peut causer un décès ou un choc électrique.**

2. Débrancher la machine à glaçons ou déconnecter la source de courant électrique.
3. Fermer l'alimentation en eau. Attendre 5 à 10 minutes que la glace tombe dans le bac d'entreposage. Enlever tous les glaçons du bac.
4. Dévisser le bouchon de vidange du dessous du bac à eau situé à l'intérieur du bac d'entreposage. Laisser l'eau s'évacuer complètement. Réinstaller le bouchon de vidange. Voir l'illustration "Bouchon de vidange".

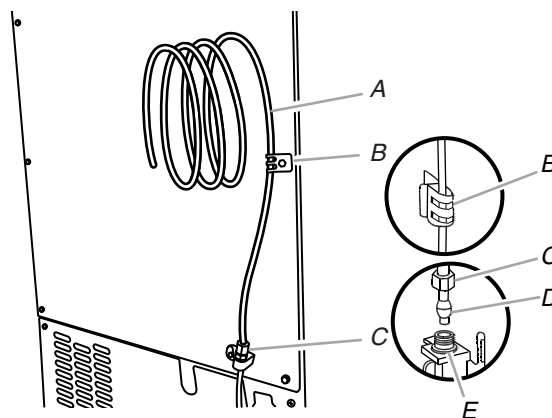
### Bouchon de vidange



A. Bouchon de vidange

5. Si la machine à glaçons est installée dans un placard, la retirer de l'ouverture.
6. Déconnecter la canalisation d'alimentation en eau. Voir l'illustration "Canalisation d'alimentation en eau".

## Canalisation d'alimentation en eau



A. Tube en cuivre de 1/4"

B. Bride de câble

C. Écrou de compression de 1/4"

D. Virole (manchon)

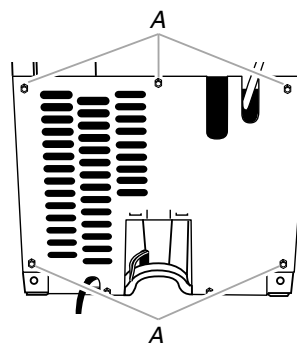
E. Raccordement de la machine à glaçons

## Installation de la pompe de vidange

**REMARQUE :** Ne pas déformer ou endommager les tubes ou le câblage pendant l'installation.

1. Débrancher la machine à glaçons ou déconnecter la source de courant électrique.
2. Retirer le panneau arrière. Voir l'illustration du "Panneau arrière", pour visualiser l'emplacement des 5 vis. Retirer le panneau arrière du tube de vidange et le jeter.

### Panneau arrière



A. Emplacement des vis

3. Ôter l'ancien tube de vidange et l'ancienne bride fixés au bac de la machine à glaçons.

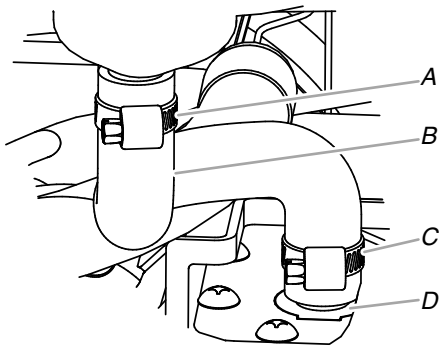
**REMARQUE :** Jeter l'ancien tube de vidange et l'ancienne bride.

4. À l'aide des nouvelles brides réglables, installer le nouveau tube de vidange (de 5/8" de diamètre interne x 5 1/8") du bac à glaçons à l'entrée du réservoir de la pompe de vidange. Voir l'illustration "Tube de vidange".

### REMARQUES :

- Ne pas déformer le tube.
- Raccourcir le tube si nécessaire.

## Tube de vidange

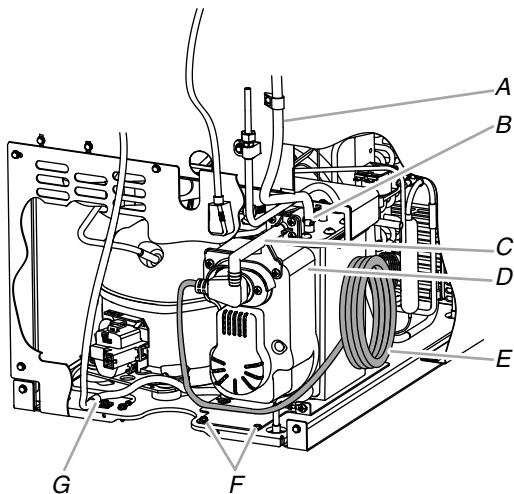


- A. Bride de tuyau réglable de  $\frac{7}{8}$ "  
 B. Tube de vidange (entre le bac à glaçons et la pompe de vidange)  
 C. Bride de tuyau réglable de  $\frac{7}{8}$ "  
 D. Entrée du réservoir de la pompe de vidange

5. Installer le tube de ventilation (de  $\frac{5}{16}$ " de diamètre interne x 32" [81 cm]) jusqu'au tube de ventilation de la pompe de vidange. Utiliser la petite bride réglable de  $\frac{5}{8}$ " fournie. Voir l'illustration "Position des pièces".

**REMARQUE :** Ne pas installer le tube de vidange du domicile tout de suite.

## Position des pièces



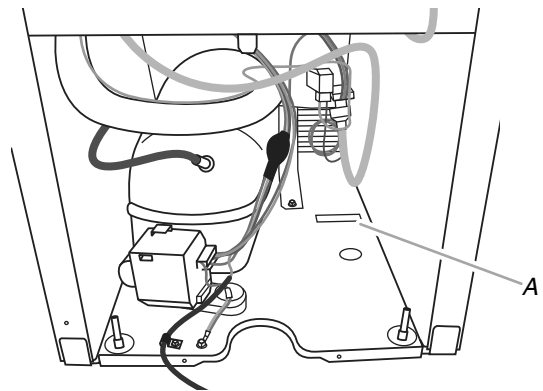
- A. Tube de ventilation  
 B. Bride de tuyau de  $\frac{5}{8}$ "  
 C. Tuyau d'évacuation de la pompe  
 D. Pompe de vidange  
 E. Cordon d'alimentation de la machine à glaçons  
 F. Vis de montage de la pompe n° 8-32 x  $\frac{3}{8}$ "  
 G. Cordon d'alimentation de la pompe de vidange, bride et vis

6. Retirer la bride et la vis de liaison à la terre fixées sur le cordon d'alimentation de la machine à glaçons, lui-même monté sur la base de l'appareil. Voir l'illustration "Position des pièces".

**REMARQUE :** La bride et la vis seront réutilisées.

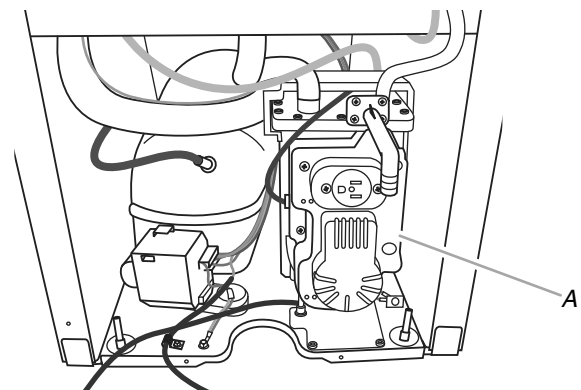
7. Faire glisser la pompe de vidange dans la base de la machine à glaçons sur le côté droit. La patte de montage de la pompe doit s'insérer dans la fente rectangulaire de la base de la machine à glaçons. Il faut incliner légèrement la pompe pour la faire glisser dans la fente. Voir l'illustration "Encoche de patte de montage de la pompe de vidange".

## Encoche de patte de montage de la pompe de vidange



A. Encoche de la patte de montage

## Pompe de vidange installée

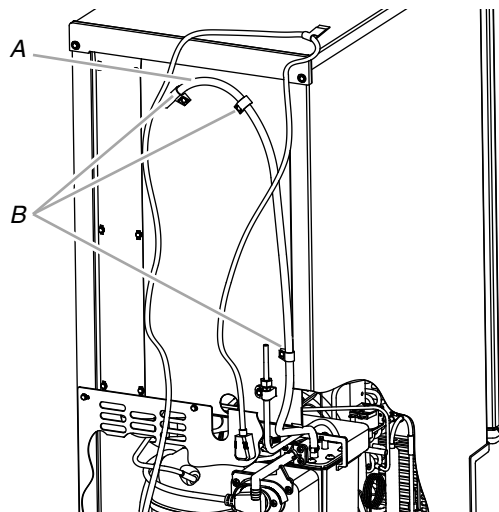


A. Pompe de vidange installée

8. Aligner les deux (2) trous de vis situés à l'arrière de la pompe. Utiliser deux vis n° 8-32 x  $\frac{3}{8}$ " fournies. Voir l'illustration "Position des pièces".
9. Raccorder le tube de vidange à la sortie (de  $\frac{5}{8}$ " de diamètre interne) du bac de la machine à glaçons à l'aide de la bride de  $\frac{7}{8}$ " fournie. Voir l'illustration "Tube de vidange".
10. Enrouler le cordon d'alimentation de la machine à glaçons de façon à former un rouleau de 4" (10,2 cm) de diamètre. Enrouler le ruban isolant autour du cordon d'alimentation à plusieurs endroits pour que le cordon reste enroulé sur lui-même. Repérer le cordon d'alimentation enroulé entre la pompe de vidange et le côté de l'ouverture et le brancher sur la prise de la pompe de vidange. Voir l'illustration "Position des pièces".
11. Fixer le cordon d'alimentation de la pompe sur la base de la machine à glaçons avec la bride et la vis (retirées à l'étape 6) utilisées pour fixer le cordon d'alimentation de la machine à glaçons. Voir l'illustration "Position des pièces".
12. Placer le nouveau panneau arrière (petit panneau pour les machines à glaçons de 15"; grand panneau pour les machines à glaçons de 18") contre l'arrière de la machine à glaçons. Acheminer le tube de ventilation et le tuyau d'évacuation de la pompe à travers les ouvertures à découper du panneau arrière.
13. Fixer le panneau arrière avec les vis d'origine. Voir l'illustration "Panneau arrière".
14. Fixer le tuyau de ventilation sur l'arrière de la machine à glaçons avec 3 brides et les trois vis n° 8-32 x  $\frac{3}{8}$ " fournies. Voir l'illustration "Tube de ventilation".

## Tube de ventilation

**REMARQUE :** Ne pas coincer, déformer ou endommager le tube d'aération. Vérifier qu'il n'est pas endommagé, déformé ou coincé entre le placard et la machine à glaçons.



A. Tube de ventilation  
B. Brides et vis

- Fixer le tube de vidange de  $\frac{1}{2}$ " de diamètre interne x 10 pi (3 m) au tuyau d'évacuation de la pompe. Voir l'illustration "Position des pièces".
- Raccorder la machine à glaçons à l'arrivée d'eau et l'installer comme indiqué dans les instructions d'installation du produit.
- Contrôler tous les raccords pour vérifier l'absence de fuites.

## ⚠ AVERTISSEMENT



### Risque de choc électrique

Brancher sur une prise à 3 alvéoles reliée à la terre.

Ne pas enlever la broche de liaison à la terre.

Ne pas utiliser un adaptateur.

Ne pas utiliser un câble de rallonge.

Le non-respect de ces instructions peut causer un décès, un incendie ou un choc électrique.

- Brancher la machine à glaçons ou reconnecter la source de courant électrique.
- Mettre en marche la machine à glaçons.
- Attendre que le programme de rinçage se déclenche (environ 5 minutes) pour s'assurer que la machine à glaçons fonctionne correctement.

## Raccordement au conduit vidange

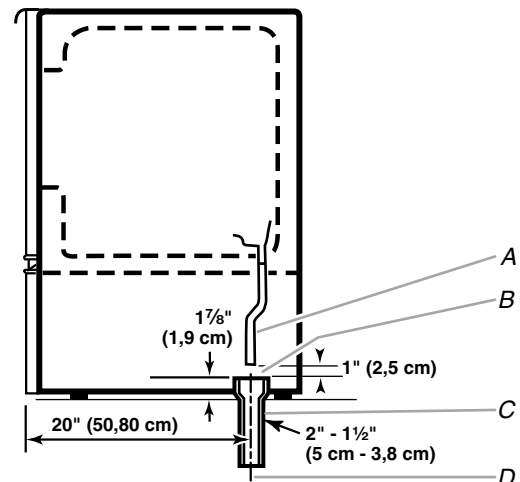
### Système de vidange par gravité

Raccorder le tuyau de vidange de la machine à glaçons à votre drain de vidange conformément à tous codes et règlements locaux et provinciaux. Si la machine à glaçons est fournie avec un drain de vidange par gravité, suivre les instructions ci-dessous lors de l'installation des tuyaux de vidange. Ceci aidera à éviter que l'eau ne refoule dans le bac d'entreposage de la machine à glaçons et éventuellement sur le plancher et ne cause des dommages.

- Les tuyaux de vidange doivent avoir au moins  $\frac{5}{8}$ " (15,88 mm) de diamètre intérieur.
- Les tuyaux de vidange doivent avoir une pente de 1" pour chaque 48" (2,54 cm pour chaque 122 cm) de longueur ou une pente de  $\frac{1}{4}$ " pour chaque 12" (6,35 mm/30,48 cm) et ne comporter aucun point bas où l'eau pourrait stagner.
- Les drains de vidange de plancher doivent être suffisamment grands pour recevoir l'eau de vidange provenant de toutes sources.
- L'installation idéale a un tuyau rigide de rejet à l'égout avec un réducteur de vidange PVC de  $1\frac{1}{2}$ " (3,81 cm) à 2" (5,08 cm) installé directement sous la sortie du tube de vidange comme sur l'illustration. Maintenir un écart anti-retour de 1" (2,54 cm) entre le tuyau de vidange et le tuyau de rejet à l'égout.
- Ne pas raccorder l'extrémité de sortie du tuyau de vidange à un système de canalisation fermé afin d'empêcher l'eau de vidange de refouler dans la machine à glaçons.

**IMPORTANT :** Une pompe de vidange est nécessaire lorsqu'on ne dispose pas de drain au plancher. L'ensemble de pompe de vidange, pièce numéro 1901A, est disponible à l'achat.

### Vue latérale



A. Tuyau de vidange

B. Écart anti-retour de 1" (2,54 cm)

C. Réducteur du drain de vidange PVC

D. Le centre du drain devrait se trouver à 20" (50,8 cm) du devant de la porte (avec ou sans le panneau de  $\frac{3}{4}$ " (1,91 cm) sur la porte). Le drain doit aussi être centré de gauche à droite ( $8\frac{13}{16}$ " de chaque côté de la machine à glaçons).

## Système avec pompe de vidange (sur certains modèles)

### IMPORTANT :

- Raccorder le tuyau de vidange de la machine à glaçons à votre drain de vidange conformément au Code international de plomberie et aux codes et règlements locaux.
- Le circuit de drainage doit se terminer dans un puisard ou un tuyau d'évacuation ouvert.
  - Dénivellation maximale de 10 pi (3,1 m)
  - Longueur maximale de 100 pi (30,5 m)

### REMARQUES :

- Si le tuyau de vidange devient tordu et que l'eau ne peut pas se vidanger, votre machine à glaçons ne fonctionnera pas.
- Il sera peut-être souhaitable d'isoler le tuyau de vidange complètement jusqu'à l'entrée du drain de vidange. L'ensemble de gaine isolante (pièce numéro W10365792) est disponible à l'achat.
- Ne pas raccorder l'extrémité de sortie du tuyau de vidange à un système de canalisation fermé afin d'empêcher l'eau de vidange de refouler dans la machine à glaçons.

## Raccordement du conduit d'évacuation

Après avoir vérifié que le système de vidange est adéquat, procéder tel que décrit ci-dessous pour bien mettre la machine à glaçons en place :

## ⚠ AVERTISSEMENT



### Risque de choc électrique

**Brancher sur une prise à 3 alvéoles reliée à la terre.**

**Ne pas enlever la broche de liaison à la terre.**

**Ne pas utiliser un adaptateur.**

**Ne pas utiliser un câble de rallonge.**

**Le non-respect de ces instructions peut causer un décès, un incendie ou un choc électrique.**

1. Brancher sur une prise à 3 alvéoles reliée à la terre.

## ⚠ AVERTISSEMENT

### Risque du poids excessif

**Utiliser deux ou plus de personnes pour déplacer et installer la machine à glaçons.**

**Le non-respect de cette instruction peut causer une blessure au dos ou d'autre blessure.**

2. **Style 1** – Pour un système de vidange par gravité, pousser la machine à glaçons en position pour que le conduit de vidange soit positionné au-dessus du réducteur de vidange en PVC. Voir "Vidange par gravité".  
**Style 2** – Pour le système avec pompe de vidange, connecter le tuyau de sortie de la pompe au drain. Voir "Système avec pompe de vidange".

3. Vérifier à nouveau la machine à glaçons pour s'assurer qu'elle est bien d'aplomb. Voir la section "Nivellement".
4. Si le code sanitaire local l'exige, sceller la machine au plancher à l'aide d'un produit de calfeutrage approuvé une fois que les raccordements d'eau et d'électricité ont été faits.

## Nivellement

Il est important que la machine à glaçons soit d'aplomb pour bien fonctionner. Selon l'endroit où vous installez la machine à glaçons, vous pourrez avoir à effectuer plusieurs ajustements pour la mettre d'aplomb. Vous pouvez également utiliser les pieds de nivellement pour baisser la hauteur de la machine à glaçons pour les installations sous comptoir.

### Outillage nécessaire :

Rassembler les outils et pièces nécessaires avant de commencer l'installation.

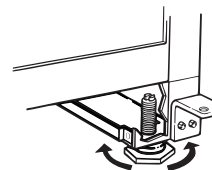
- Niveau de 9"
- Clé à molette

**REMARQUE :** Il est plus facile d'ajuster les pieds de nivellement si on se fait aider par une autre personne.

1. Déplacer la machine à glaçons à son emplacement final.

**REMARQUE :** Dans le cas d'une installation encastrée, déplacer la machine à glaçons le plus près possible de son emplacement final.

2. Placer le niveau sur le dessus du produit pour voir si la machine à glaçons est d'aplomb d'avant en arrière et transversalement.
  3. Pousser vers le haut sur la partie supérieure avant de la machine à glaçons pour repérer les vis de nivellement qui se trouvent sur la partie inférieure avant de la machine à glaçons.
  4. Au moyen d'une clé à molette, modifier la hauteur des pieds comme suit :
    - Tourner le pied de nivellement vers la droite pour abaisser ce côté de la machine à glaçons.
    - Tourner le pied de nivellement vers la gauche pour soulever ce côté de la machine à glaçons.
- REMARQUE :** La machine à glaçons ne devrait pas osciller. Utiliser des cales pour accroître la stabilité au besoin.



5. Pousser vers le haut sur la partie supérieure arrière de la machine à glaçons pour repérer les pieds de nivellement qui se trouvent sur le fond arrière de la machine à glaçons.
6. Suivre les instructions de l'étape 4 pour modifier la hauteur des pieds.
7. Utiliser le niveau pour revérifier que la machine à glaçons est d'aplomb d'avant en arrière et transversalement. Si elle n'est pas d'aplomb, répéter les étapes 2 à 5. Si la machine est d'aplomb, passer à la section "Raccordement à la canalisation d'eau".

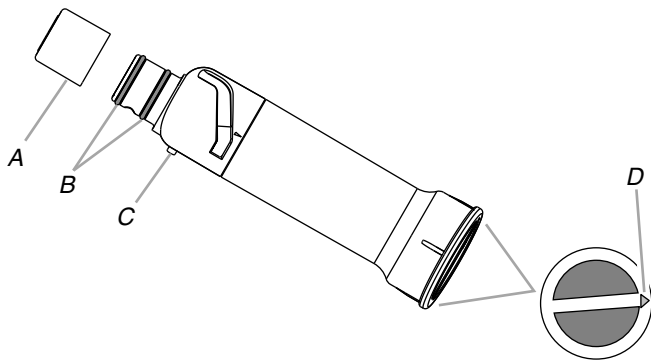


## Système de filtration d'eau

Ne pas utiliser pour le filtrage d'une eau microbiologiquement polluée ou de qualité inconnue en l'absence d'un dispositif de désinfection adéquat avant ou après le système. Les systèmes certifiés pour la réduction de kyste peuvent être utilisés pour l'eau désinfectée qui peut contenir des kystes filtrables.

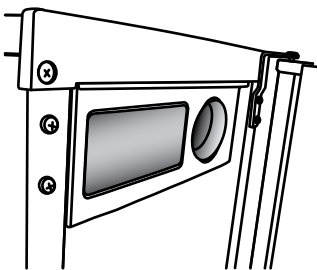
### Installer le filtre à eau

1. Identifier le sachet d'accessoires à l'intérieur de la machine à glaçons et retirer le filtre à eau.
2. Retirer le filtre à eau neuf de son emballage, puis retirer les protections des joints toriques. S'assurer que les joints toriques sont toujours en place une fois la protection retirée.

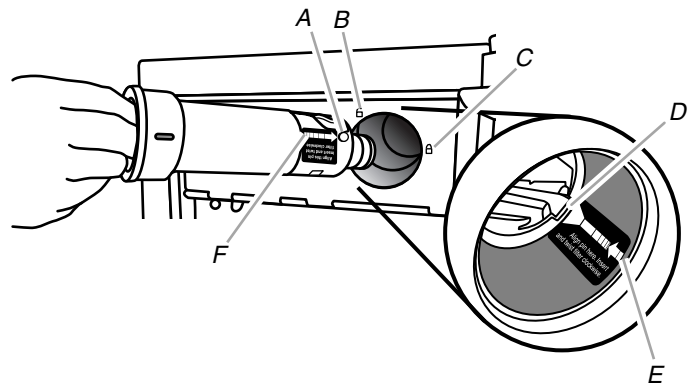


A. Protection  
B. Joints toriques  
C. Tige d'alignement  
D. Flèche d'alignement

3. Le compartiment du filtre à eau se trouve du côté droit du panneau des commandes de la machine à glaçons.



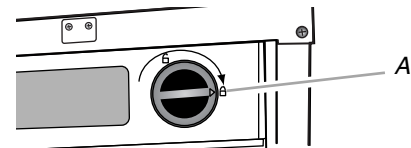
4. En s'aidant de la flèche orientée vers la tige d'alignement sur le côté du filtre et la flèche dans le logement du module de commande, aligner la tige d'alignement avec l'encoche du logement du module de commande et insérer le filtre dans le logement.



A. Tige d'alignement  
B. Symbole de déverrouillage  
C. Symbole de verrouillage  
D. Encoche dans le logement du module de commande  
E. Flèche orientée vers l'encoche  
F. Flèche orientée vers la tige d'alignement

5. Tourner le filtre dans le sens horaire jusqu'à ce qu'il s'emboîte dans le logement. S'assurer que la flèche d'alignement de la tête du filtre soit alignée avec le symbole de verrouillage sur le logement du module de commande.

**REMARQUE :** Si le filtre n'est pas bien emboîté dans le logement, la machine à glaçons ne produira pas de glaçons.



A. Flèche d'alignement sur symbole de verrouillage

### Témoin lumineux de l'état du filtre à eau

Les témoins lumineux de l'état du filtre à eau vous aideront à savoir quand changer le filtre à eau.

- Le témoin lumineux "Order Filter" (commander filtre) s'allume lorsqu'il est temps de commander un filtre de rechange.
- Le témoin lumineux "Replace Filter" (remplacer filtre) s'allume lorsqu'il est temps de remplacer le filtre.
- Si l'on remplace le filtre à eau jetable par un nouveau filtre, la caractéristique de suivi de statut du filtre à eau sera automatiquement réinitialisée. Voir "Utilisation des commandes".

#### REMARQUES :

- "Replace Filter" (remplacer filtre) reste allumé si aucun filtre n'est installé.
- Le témoin lumineux de statut "Filter" (filtre) clignote lorsque le filtre n'est pas correctement installé ou que la canalisation d'alimentation en eau est obstruée.

## Remplacement du filtre à eau

Pour commander un filtre à eau de rechange, voir "Accessoires". Remplacer le filtre à eau jetable lorsque l'écran d'affichage du témoin du filtre à eau l'indique ou au moins tous les 9 mois. Si le débit de la machine à glaçons diminue avant que le témoin lumineux Replace Filter (remplacer filtre) ne s'allume, remplacer le filtre.

1. Repérer le compartiment du filtre à eau sur le côté droit du logement du module de commande. Voir l'étape 3 de la section "Installation du filtre à eau".

2. Tourner le filtre à eau dans le sens antihoraire (vers la gauche) et le retirer tout droit hors du compartiment.

**REMARQUE :** Il y aura peut-être de l'eau dans le filtre. Il est possible qu'il y ait un déversement.

3. Installer le filtre à eau de rechange en suivant les étapes 2 à 5 de la section "Installation du filtre à eau".

## UTILISATION DE LA MACHINE À GLAÇONS

### Fonctionnement de la machine à glaçons

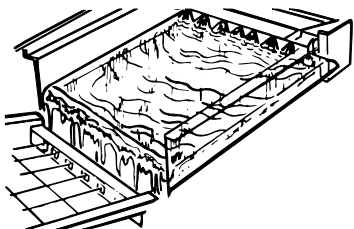
Lors de la mise en marche initiale de la machine à glaçons, le bac d'eau se remplira et le système se rincera avant de commencer à fabriquer de la glace. Le rinçage prend environ cinq minutes.

Dans des conditions de fonctionnement normales, la machine à glaçons se mettra en marche à des températures pré-réglées. Le détecteur de niveau de glace dans le bac à glaçons contrôlera les niveaux de glace.

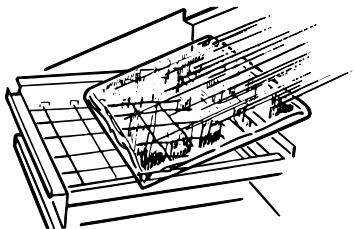
**IMPORTANT :** Si l'alimentation en eau à la machine à glaçons est fermée, s'assurer que la commande de la machine à glaçons est à OFF (arrêt).

### Fabrication de la glace

1. L'eau circule constamment sur un plateau de congélation. Tandis que l'eau gèle, les minéraux qu'elle contient sont expulsés. Il en résulte une plaque de glace à faible teneur en minéraux.

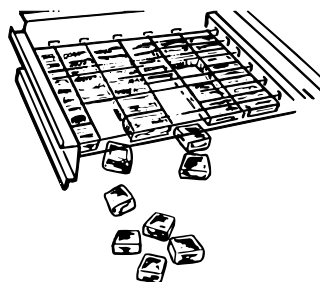


2. Une fois qu'elle a atteint l'épaisseur désirée, la plaque de glace se dégage et glisse dans une grille de coupe, où elle est taillée en glaçons.



3. L'eau contenant les déchets minéraux est évacuée après chaque programme de congélation.
4. De l'eau fraîche s'infiltré de nouveau dans la machine en vue du prochain programme de fabrication de glaçons.

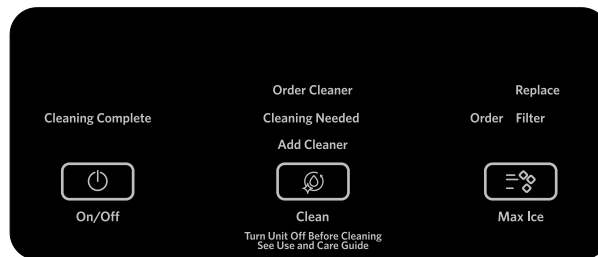
5. Les glaçons tombent dans le bac d'entreposage. La machine à glaçons s'arrête automatiquement dès que le bac est plein, et elle se remet en marche lorsqu'il faut plus de glaçons. Le bac à glaçons n'est pas réfrigéré et la glace fondra un peu. Le degré de fonte dépend de la température de la pièce.



**REMARQUE :** Selon les variations de températures de la pièce et de l'eau, la quantité de glace produite et entreposée variera. Ceci signifie que des températures de fonctionnement plus élevées donnent une production de glace réduite.

### Utilisation des commandes

1. Pour commencer la production de glaçons, appuyer sur ON/OFF (marche/arrêt).
2. Pour arrêter la machine à glaçons, appuyer sur ON/OFF (marche/arrêt).



### REMARQUES :

- Le commutateur On/Off (marche/arrêt) n'arrête pas l'alimentation de la machine à glaçons.
- Accorder un délai de 24 heures pour produire la première quantité de glaçons. Jeter les 2 premières quantités de glaçons produites.

---

## Mode Max Ice (glaçons max.)

---

Sélectionner la caractéristique Max Ice (glaçons max.) quand vous avez un besoin prochain d'une grande quantité de glaçons et lorsque le bac à glaçons est peu rempli ou vide. Le mode Max Ice (glaçons max.) produira une plus grande quantité de glaçons au cours d'une période de 24 heures.

- Appuyer sur MAX ICE (glaçons max.) lorsque la machine à glaçons est allumée. Le témoin lumineux s'allumera.
- Appuyer sur MAX ICE (glaçons max.) une fois de plus pour éteindre la caractéristique de glaçons max. Le témoin lumineux s'éteindra.
- Le mode Max Ice (glaçons max.) est activé lors de la mise en marche initiale du produit. Il se désactive au bout de 24 heures. Pour réactiver Max Ice (glaçons max.), appuyer sur MAX ICE.

---

## Nettoyage

---

On recommande de nettoyer la machine à glaçons lorsque le témoin lumineux "Cleaning Needed" (nettoyage nécessaire) s'allume, lorsque 9 mois se seront écoulés ou lorsque la production de glaçons diminue de façon significative. Pour nettoyer la machine à glaçons, voir "Système de la machine à glaçons" dans la section "Nettoyage".

---

### Alarme de porte entrouverte

---

La caractéristique d'alarme de porte entrouverte fait retentir un signal d'alarme lorsque la porte de la machine à glaçons est ouverte pendant 5 minutes. L'alarme retentira toutes les 2 minutes. Fermer la porte pour l'arrêter. Cette caractéristique se réinitialise et se réactive ensuite si on laisse de nouveau la porte ouverte pendant 5 minutes.

---

## Bruits normaux

Il est possible que votre nouvelle machine à glaçons émette des bruits qui ne vous sont pas familiers. Comme ces bruits sont nouveaux, ils peuvent vous inquiéter. La plupart de ces nouveaux bruits sont normaux. Des surfaces dures comme le plancher, les murs et les armoires peuvent générer des bruits plus forts qu'en réalité. Les descriptions suivantes indiquent les genres de bruits qui peuvent être nouveaux pour vous et leur cause possible.

- Vous entendrez un bourdonnement lorsque le robinet d'eau s'ouvre pour remplir le réservoir d'eau pour chaque programme.
- Des vibrations sonores peuvent provenir de l'écoulement du réfrigérant, de la canalisation d'eau ou d'articles placés sur la machine à glaçons.
- Le compresseur à haute efficacité peut produire un son aigu ou de pulsation.
- L'eau coulant sur la plaque d'évaporation peut produire un bruit d'éclaboussement.
- L'eau coulant de la plaque d'évaporation au réservoir d'eau peut produire un son d'éclaboussement.

- À la fin de chaque programme, vous pouvez entendre un gargouillement attribuable au réfrigérant qui circule dans votre machine à glaçons.
- Vous pouvez entendre de l'air qui est transmis au condenseur par le ventilateur du condenseur.
- Au cours du programme de récolte, vous pouvez entendre un "bruit sourd" lorsque la plaque de glace glisse de l'évaporateur sur la grille de coupe.
- Lors de la mise en marche initiale de la machine à glaçons, il est possible que vous entendiez l'eau couler continuellement. La machine à glaçons est programmée pour effectuer un programme de rinçage avant de commencer à fabriquer de la glace.
- Si la machine à glaçons est raccordée à une alimentation en eau dont la pression dépasse 60 lb/po<sup>2</sup>, il est possible que l'on entende un bruit fort lors du remplissage—cela est dû au débit d'eau au niveau du robinet d'arrivée d'eau. Contacter un plombier agréé et qualifié pour déterminer la meilleure façon de réduire la pression de l'alimentation en eau (une pression de 50 lb/po<sup>2</sup> est recommandée).

---

# ENTRETIEN DE LA MACHINE À GLAÇONS

---

## Nettoyage

Le système de fabrication des glaçons et le condenseur à air refroidi doivent être nettoyés régulièrement pour que la machine à glaçons puisse fonctionner au maximum de son efficacité et afin d'éviter une défaillance prématurée des composants du système. Voir les sections "Système de la machine à glaçons" et "Condenseur".

---

### Surfaces extérieures

---

Laver les surfaces extérieures en émail et les joints étanches avec de l'eau tiède et un savon doux ou un détergent. Essuyer et sécher. L'utilisation régulière d'un bon produit de nettoyage et de cire domestique aidera à protéger la finition. Ne pas utiliser de produits de nettoyage abrasifs sur les surfaces émaillées pour ne pas érafler la finition.

Pour les produits avec surface extérieure en acier inoxydable, utiliser une éponge propre ou un linge doux et un détergent doux avec de l'eau tiède. Ne pas utiliser de produits de nettoyage abrasifs ou rudes. Ne pas utiliser d'agent de blanchiment au chlore sur les surfaces en acier inoxydable.

---

### Système de la machine à glaçons

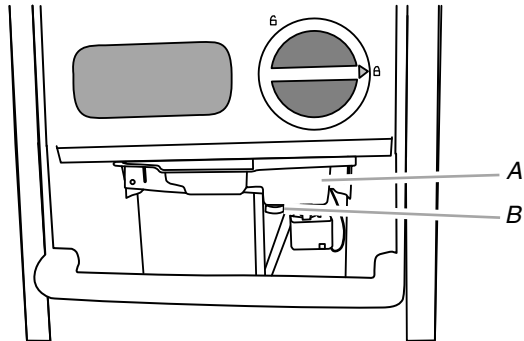
---

Les minéraux rejetés par la circulation de l'eau pendant la congélation finiront par former un dépôt de tartre dans le système. Nettoyer périodiquement le système aide à enlever les dépôts accumulés de minéraux. La fréquence des nettoyages sera fonction de la dureté de l'eau. Lorsque l'eau est dure (15 à 20 grains/gal. [4 à 5 grains/litre]), vous devrez nettoyer le système probablement tous les 9 mois.

**REMARQUE :** Utiliser une bouteille de 16 oz (473 mL) de produit de nettoyage approuvé pour la machine à glaçons. Pour le commander, voir "Accessoires".

1. Appuyer sur le bouton ON/OFF (marche/arrêt).
2. Attendre de 5 à 10 minutes que la glace tombe dans le bac d'entreposage. Retirer toute la glace du bac d'entreposage.
3. Dévisser le bouchon de vidange du bas du bac à eau situé à l'intérieur du bac d'entreposage tel qu'illustré. Laisser l'eau se vidanger complètement.

4. Réinstaller le bouchon de vidange solidement sur le bac à eau. Si le bouchon de vidange est desserré, l'eau s'écoulera du bac à eau et la glace sera mince ou il n'y aura pas de glace.
5. Lire et suivre toutes les instructions apparaissant sur la bouteille du produit de nettoyage avant de suivre les étapes suivantes. Utiliser une bouteille de 16 oz (473 mL) de produit de nettoyage approuvé pour la machine à glaçons.
6. Verser une bouteille de cette solution dans le bac à eau. Remplir la bouteille à deux reprises avec de l'eau du robinet et verser le contenu dans le bac à eau.



A. Bac à eau  
B. Bouchon de vidange

7. Appuyer sur le bouton CLEAN (nettoyage). Voir "Utilisation des commandes". Le voyant clignote pour indiquer que le programme de nettoyage est en cours. Lorsque le témoin "Cleaning Complete" (nettoyage terminé) s'allume (après 70 minutes environ), le programme de nettoyage est terminé. Pendant le programme de nettoyage, le système se nettoie et se rince.
8. Une fois que le programme de nettoyage est terminé, ôter le bouchon de vidange du bac à eau. Voir s'il reste de la solution de nettoyage dans le bac à eau. Si la solution de nettoyage se vidange du bac à eau, recommencer le programme de nettoyage. Veiller à remplir à nouveau le bac à eau de nettoyant avant de recommencer le programme de nettoyage. Veiller à réinstaller le capuchon solidement sur le bac à eau. Si le bouchon de vidange est desserré, l'eau s'écoulera du bac à eau et la glace sera mince ou il n'y aura pas de glace.

**REMARQUE :** Les accumulations importantes de tartre pourraient nécessiter des nettoyages répétés avec une nouvelle quantité de solution de nettoyage.

9. Appuyer sur le bouton ON/OFF (marche/arrêt) pour recommencer la production de glaçons.

## Condenseur

### Un condenseur sale ou obstrué

- Entraîne l'obstruction du flux d'air.
- Réduit la capacité de production des glaçons.

- Entraîne des températures d'utilisation supérieures à celles recommandées, ce qui pourrait entraîner des pannes de composants.

## ⚠ AVERTISSEMENT



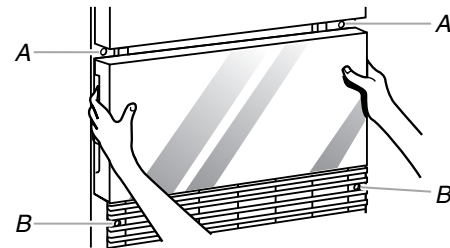
### Risque de choc électrique

**Déconnecter la source de courant électrique avant le nettoyage.**

**Replacer pièces et panneaux avant de faire la remise en marche.**

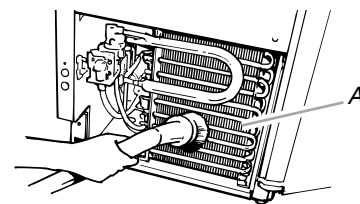
**Le non-respect de ces instructions peut causer un décès ou un choc électrique.**

1. Débrancher la machine à glaçons ou déconnecter la source de courant électrique.
2. Retirer les deux vis du panneau d'accès inférieur et les deux vis de la grille de base du support du panneau avant.
3. Tirer le bas vers l'avant, puis tirer vers le bas pour retirer le panneau d'accès inférieur.



A. Vis du panneau d'accès inférieur  
B. Vis de la grille de base

4. Retirer la saleté et la charpie déposées sur les ailettes du condenseur et du logement de l'unité de condensation à l'aide de la brosse d'un aspirateur.

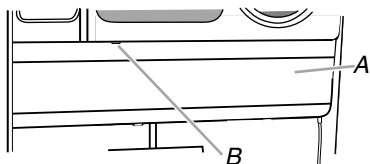


A. Ailettes du condenseur

5. Remettre le panneau d'accès inférieur en place et le fixer à l'aide des quatre vis.
6. Brancher la machine à glaçons ou reconnecter la source de courant électrique.

## Composants intérieurs

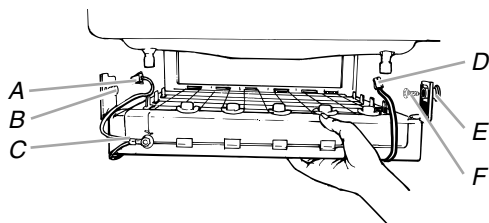
1. Débrancher la machine à glaçons ou déconnecter la source de courant électrique.
2. Ouvrir la porte où se trouve le bac à glaçons et retirer tout glaçon qui s'y trouve.
3. Retirer le bouchon de vidange du bac à eau et vidanger ce dernier complètement. Réinstaller le bouchon de vidange solidement sur le bac à eau. Si le bouchon de vidange est desserré, l'eau s'écoulera du bac à eau et la glace sera mince ou il n'y aura pas de glace.
4. Ôter les vis qui maintiennent le couvercle de la grille de coupe en place.
5. Débrancher le faisceau de câblage du côté gauche de la grille de coupe.



A. Couvercle de la grille de coupe  
B. Vis

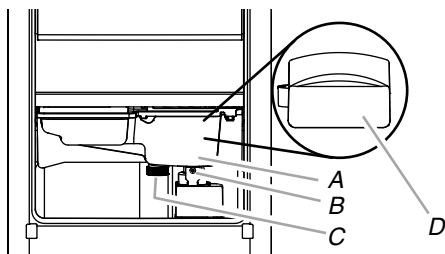
6. Débrancher le détecteur de niveau de glaçons du côté droit de la grille de coupe. Tirer le détecteur de niveau vers le bas et vers l'avant pour l'éloigner de la grille de coupe.
7. Retirer les vis de droite et de gauche. Soulever la grille de coupe et la sortir.

**REMARQUE :** Il faut s'assurer que la cale d'espacement en plastique du côté droit du support de la grille de coupe suit cette dernière.



A. Faisceau de la grille de coupe  
B. Vis  
C. Grille de coupe  
D. Faisceau du détecteur de niveau de glaçons  
E. Cale d'espacement en plastique  
F. Vis

8. Retirer la vis de montage qui maintient le bac à eau en place. Tirer sur l'avant du bac à eau.
9. Déconnecter le support de pompe du réservoir et débrancher la pompe de vidange du bac à eau.



A. Bac à eau  
B. Vis du bac à eau  
C. Bouchon de vidange  
D. Protection de la pompe de vidange

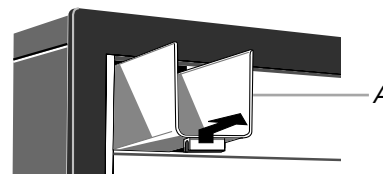
10. Retirer, nettoyer et réinstaller la pelle à glace et son support.

**REMARQUE :** Sur certains modèles, la pelle à glace se trouve dans la partie supérieure gauche de l'appareil. Sur d'autres, elle se trouve dans la partie inférieure gauche.

- Après avoir retiré la pelle à glace, enlever le support en ôtant les deux vis.

**REMARQUE :** Sur certains modèles, retirer le support de la cuiller à glace en le soulevant, puis en l'extrayant.

- Laver le support de la pelle à glace et la pelle à glace avec les autres composants intérieurs conformément aux instructions suivantes.
- Réinstaller le support de la pelle à glace en réinstallant les vis ou, sur certains modèles, en poussant sur le support puis en le poussant vers le bas.



A. Support de pelle à glace

11. Laver les composants intérieurs (la grille de coupe, l'extérieur des tuyaux et le bac à eau), le bac d'entreposage des glaçons, le joint d'étanchéité de la porte et la pelle à glace ainsi que son support avec de l'eau tiède et un savon ou un détergent doux. Rincer avec de l'eau propre. Nettoyer ensuite ces mêmes composants à l'aide d'une solution comprenant 1 cuillerée à soupe (15 mL) d'agent de blanchiment ménager dans 1 gal (3,8 L) d'eau tiède. Rincer à nouveau à fond avec de l'eau propre.

**REMARQUE :** Ne pas retirer les tuyaux. Ne pas laver les composants en plastique au lave-vaisselle. Ces composants ne résistent pas à des températures supérieures à 145°F (63°C).

12. Pour réinstaller le bac à eau, le placer à l'intérieur du bac à glaçons. Raccorder la pompe de vidange du bac à eau. Remboîter le support de pompe sur le bac à eau et le remettre en place. Fixer le bac à eau en réinstallant la vis de montage.

13. Faire les vérifications suivantes :

- Le bouchon de vidange du bac à eau est solidement en place. Si le bouchon de vidange est desserré, l'eau s'écoulera du bac à eau et la glace sera mince ou il n'y aura pas de glace.
- Le tuyau provenant du bac à eau est inséré dans l'ouverture de vidange du bac d'entreposage.

14. Glisser la grille de coupe en place et la fixer en remettant la vis du côté droit et la cale d'espacement en plastique. Serrer ensuite la vis du côté gauche. Reconnecter les faisceaux de la grille de coupe et du détecteur de niveau de glaçons.

15. Réinstaller le couvercle de la grille de coupe au moyen des vis retirées précédemment.

16. Nettoyer doucement le tableau de commande avec un torchon propre et doux, de l'eau tiède et du liquide vaisselle doux.

17. Brancher la machine à glaçons ou reconnecter la source de courant électrique.

18. Après avoir nettoyé, s'assurer que toutes les commandes sont réglées correctement et qu'aucun des témoins lumineux ne clignote.

## Précautions à prendre pour les vacances ou le déménagement

### **⚠ AVERTISSEMENT**



#### **Risque de choc électrique**

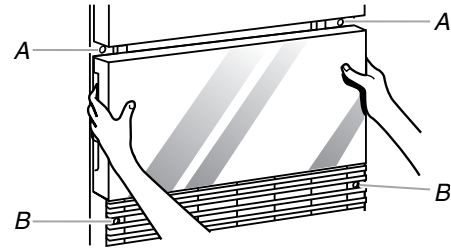
**Déconnecter la source de courant électrique avant l'entretien.**

**Replacer pièces et panneaux avant de faire la remise en marche.**

**Le non-respect de ces instructions peut causer un décès ou un choc électrique.**

#### **Arrêt de la machine à glaçons :**

1. Débrancher la machine à glaçons ou déconnecter la source de courant électrique.
2. Enlever tous les glaçons du bac d'entreposage.
3. Interrompre l'arrivée d'eau.
4. Enlever les deux vis du panneau de l'ouverture d'accès inférieur et les deux vis de la grille de la base du support du panneau avant. Tirer vers l'avant pour enlever le panneau de l'ouverture d'accès inférieur.



*A. Vis du panneau d'accès inférieur*

*B. Vis de la grille de la base*

5. Déconnecter les canalisations d'entrée et sortie sur le robinet. Laisser l'eau s'écouler des canalisations, puis reconnecter les canalisations au robinet.
6. Réinstaller le panneau de l'ouverture d'accès inférieur et les vis.
7. Évacuer l'eau du bac à eau (ôter le bouchon de vidange).
8. Si la température de la pièce s'abaisse à moins de 32°F (0°C), évacuer toute eau restant dans le conduit de drainage.

#### **Machine à glaçons avec pompe de vidange :**

- Brancher la machine à glaçons ou reconnecter la source de courant électrique.
  - Arrêter la machine à glaçons, et enlever tous les glaçons restants du bac à glaçons.
  - Verser 1 pinte (0,95 L) d'eau dans le bac à glaçons près de l'orifice de vidange, et attendre environ cinq minutes. Ceci permettra à l'eau de s'écouler depuis le bac jusqu'à la pompe de vidange pour que la pompe puisse évacuer toute l'eau qui reste dans le bac à glaçons et dans la pompe.
  - Débrancher la machine à glaçons ou déconnecter la source de courant électrique.
9. Avant d'utiliser l'appareil de nouveau, nettoyer la machine à glaçons et le bac à glaçons.
  10. Brancher sur une prise à 3 alvéoles reliée à la terre.

**REMARQUE :** Tous les composants de la machine à glaçons ont reçu une lubrification permanente à l'usine. Aucune autre lubrification ne devrait être nécessaire durant toute la vie normale de la machine.

# DÉPANNAGE

Essayer d'abord les solutions suggérées ici afin d'éviter le coût d'une visite de service non nécessaire.

## Fonctionnement de la machine à glaçons

**⚠ AVERTISSEMENT**



**Risque de choc électrique**

**Brancher sur une prise à 3 alvéoles reliée à la terre.**

**Ne pas enlever la broche de liaison à la terre.**

**Ne pas utiliser un adaptateur.**

**Ne pas utiliser un câble de rallonge.**

**Le non-respect de ces instructions peut causer un décès, un incendie ou un choc électrique.**

PROBLÈME	SOLUTIONS RECOMMANDÉES
<b>La machine à glaçons ne fonctionne pas</b>	<p>S'assurer que l'appareil est branché sur une prise à 3 alvéoles reliée à la terre.</p> <p>S'assurer que la commande est réglée à marche. Voir "Utilisation des commandes".</p> <p>Remplacer le fusible ou réenclencher le disjoncteur.</p> <p><b>REMARQUE :</b> Si les problèmes persistent, appeler un électricien.</p> <p>La température de la pièce doit être supérieure à 55°F (13°C). Sinon, le thermostat du bac peut détecter une température de la pièce basse et s'arrêter même si le bac n'est pas plein de glaçons. Il est possible que la machine à glaçons ne puisse pas se remettre en marche une fois éteinte.</p> <p>Si une grande quantité d'eau a été ajoutée à la machine à glaçons, attendre quelques minutes pour que la pompe de vidange évacue l'eau. S'il y a de l'eau stagnante dans le bac, vérifier pour voir si le tuyau d'évacuation est déformé.</p> <p>Pour les modèles comportant des pompes de vidange, vérifier que le tuyau de vidange n'est pas endommagé, déformé ou coincé entre la machine à glaçons et la caisse de l'appareil. Utiliser uniquement l'ensemble de pompe de vidange approuvé par Whirlpool n° 1901A.</p>
<b>La machine à glaçons semble bruyante</b>	<p><b>L'eau dans le bac à eau déborde-t-elle?</b> Ceci est normal. Ce débordement aide à purger les minéraux éliminés de l'eau durant le processus de fabrication des glaçons.</p> <p><b>Y a-t-il un bruit de "chuintement"?</b> Vérifier ce qui suit :</p> <ul style="list-style-type: none"><li>■ S'assurer que l'alimentation en eau est correctement raccordée et ouverte.</li><li>■ Vérifier que le bouchon de vidange est serré et que la pompe de vidange est solidement fixée au bac à eau.</li></ul> <p><b>Y a-t-il de la glace entre la plaque de l'évaporateur et la grille de coupe?</b> Vérifier que la machine à glaçons est d'aplomb. Voir "Nivellement". Si la machine à glaçons est d'aplomb mais que le problème persiste, effectuer un programme de nettoyage. Voir "Nettoyage".</p> <p>Si la machine à glaçons est raccordée à une alimentation en eau dont la pression dépasse 60 lb/po<sup>2</sup>, il est possible que l'on entende un bruit fort lors du remplissage—cela est dû au débit d'eau au niveau du robinet d'arrivée d'eau. Contacter un plombier agréé et qualifié pour déterminer la meilleure façon de réduire la pression de l'alimentation en eau (une pression de 50 lb/po<sup>2</sup> est recommandée).</p>

## Production de glaçons

### **AVERTISSEMENT**



#### Risque de choc électrique

**Déconnecter la source de courant électrique avant l'entretien.**

**Replacer pièces et panneaux avant de faire la remise en marche.**

**Le non-respect de ces instructions peut causer un décès ou un choc électrique.**

#### PROBLÈME

#### SOLUTIONS RECOMMANDÉES

**La machine à glaçons fonctionne mais ne produit pas de glaçons**

S'assurer que la commande est réglée à marche.  
S'assurer que l'alimentation en eau est correctement reliée et ouverte.  
Si le bouchon de vidange est desserré, l'eau s'écoulera du bac à eau et la glace sera mince ou il n'y aura pas de glace. Resserrer le bouchon de vidange.  
Nettoyer le tuyau de vidange.  
Vérifier que le conduit de vidange n'est pas déformé.

**La machine à glaçons fonctionne mais produit très peu de glaçons**

**La caractéristique de production accélérée de glaçons est-elle allumée?** Cette caractéristique augmente le taux de production de glaçons afin de fournir une plus grande quantité de glaçons dans un même délai. Voir "Utilisation des commandes".  
Une température ambiante supérieure à 90°F (32°C) réduira le taux de production de glaçons - ceci est normal.  
De la saleté ou de la charpie peuvent bloquer le débit d'air passant dans le condenseur. Voir "Condenseur" dans la section "Nettoyage".  
S'il y a une accumulation blanche de tartre dans le système d'eau ou de congélation de la machine à glaçons, il faut nettoyer l'appareil. Voir "Composants intérieurs" dans la section "Nettoyage".  
Si le bouchon de vidange est desserré, l'eau s'écoulera du bac à eau et la glace sera mince ou il n'y aura pas de glace. Resserrer le bouchon de vidange.  
S'assurer que la grille de coupe est bien en place et que son faisceau de câblage est bien raccordé. Voir la section "Composants intérieurs" de "Nettoyage" pour les instructions de dépose de la grille de coupe.  
Vérifier que le filtre à eau est correctement installé.

## Qualité des glaçons

#### PROBLÈME

#### SOLUTIONS RECOMMANDÉES

**Goût, odeur ou couleur grise des glaçons**

**Y a-t-il une teneur en minéraux anormalement élevée dans l'alimentation en eau?** L'eau peut avoir besoin d'être traitée.  
**Y a-t-il une accumulation de tartre?** Nettoyer la machine à glaçons. Voir "Système de la machine à glaçons" dans la section "Nettoyage".  
Ne pas conserver d'aliments dans le bac à glaçons.  
S'assurer que tous les matériaux d'emballage ont été enlevés au moment de l'installation.

**Glaçons minces, mous ou agglomérés**

**Y a-t-il une teneur en minéraux anormalement élevée dans l'alimentation en eau?** L'eau peut avoir besoin d'être traitée.  
**Y a-t-il une accumulation de tartre?** Nettoyer la machine à glaçons. Voir "Système de la machine à glaçons" dans la section "Nettoyage".  
**Les glaçons sont-ils agglomérés dans le bac?** Si les glaçons ne sont pas utilisés régulièrement, ils fondent et forment un agglomérat. Rompre les agglomérats avec la pelle à glace fournie.



### **⚠ AVERTISSEMENT**

#### Risque du poids excessif

**Utiliser deux ou plus de personnes pour déplacer et installer la machine à glaçons.**

**Le non-respect de cette instruction peut causer une blessure au dos ou d'autre blessure.**

#### PROBLÈME

#### SOLUTIONS RECOMMANDÉES

**L'eau ne pénètre pas correctement dans le système de vidange**

**Le tuyau de vidange est-il aligné au-dessus du drain de vidange?** Déplacer la machine à glaçons pour qu'elle s'aligne avec le drain de vidange. Voir "Raccordement à la canalisation d'eau".

**REMARQUE :** Les techniciens de service ne peuvent pas réparer les problèmes de plomberie en dehors de la machine à glaçons. Appeler un plombier agréé et qualifié.

## ASSISTANCE OU SERVICE

Avant de faire un appel pour assistance ou service, veuillez vérifier la section "Dépannage". Cette vérification peut vous faire économiser le coût d'une visite de service. Si vous avez encore besoin d'aide, suivez les instructions ci-dessous.

Lors d'un appel, veuillez connaître la date d'achat, le numéro de modèle et le numéro de série au complet de l'appareil. Ces renseignements nous aideront à mieux répondre à votre demande.

#### Si vous avez besoin de pièces de rechange

Si vous avez besoin de commander des pièces de rechange, nous vous recommandons d'employer uniquement des pièces spécifiées par l'usine. Les pièces spécifiées par l'usine conviendront et fonctionneront bien parce qu'elles sont fabriquées avec la même précision que celle utilisée dans la fabrication de chaque nouvel appareil KITCHENAID®.

Pour savoir où trouver des pièces spécifiées par l'usine dans votre région, nous appelons ou contactons le centre de service désigné par KitchenAid le plus proche.

### Aux États-Unis

Veuillez appeler sans frais le Centre pour l'eXpérience de la clientèle de KitchenAid au : **1-800-422-1230** ou visitez notre site web à **www.kitchenaid.com**.

#### Nos consultants sont prêts à vous aider pour les questions suivantes :

- Caractéristiques et spécifications sur toute notre gamme d'appareils électroménagers.
- Renseignements d'installation.
- Procédés d'utilisation et d'entretien.
- Vente de pièces de rechange et d'accessoires.
- Assistance spécialisée aux consommateurs (langue espagnole, malentendants, malvoyants, etc.).
- Références aux marchands locaux, distributeurs de pièces de rechange et compagnies de service. Les techniciens de service désignés par KitchenAid sont formés pour effectuer les travaux de réparation sous garantie et le service après la garantie, partout aux États-Unis.

Pour localiser la compagnie de service désignée par KitchenAid dans votre région, vous pouvez aussi consulter les Pages jaunes de l'annuaire téléphonique.

#### Pour plus d'assistance

Si vous avez besoin de plus d'assistance, vous pouvez soumettre par écrit toute question ou préoccupation à KitchenAid à l'adresse suivante :

KitchenAid Brand Home Appliances  
Customer eXperience Center  
553 Benson Road  
Benton Harbor, MI 49022-2692

Veuillez inclure dans votre correspondance un numéro de téléphone où l'on peut vous joindre dans la journée.

### Au Canada

Veuillez appeler sans frais le Centre pour l'eXpérience de la clientèle de KitchenAid Canada au : **1-800-807-6777** ou visitez notre site web à **www.kitchenaid.ca**.

#### Nos consultants vous renseigneront sur les sujets suivants :

- Caractéristiques et spécifications sur toute notre gamme d'appareils électroménagers.
- Consignes d'utilisation et d'entretien.

- Vente d'accessoires et de pièces de rechange.
- Références aux marchands locaux, aux distributeurs de pièces de rechange et aux compagnies de service. Les techniciens de service désignés par KitchenAid Canada sont formés pour remplir la garantie des produits et fournir un service après la garantie, partout au Canada.

## Pour plus d'assistance

Si vous avez besoin de plus d'assistance, vous pouvez soumettre par écrit toute question ou préoccupation à KitchenAid Canada à l'adresse suivante :

Centre pour l'expérience de la clientèle  
KitchenAid Canada  
200 - 6750 Century Ave.  
Mississauga, Ontario L5N 0B7

Veillez inclure dans votre correspondance un numéro de téléphone où l'on peut vous joindre dans la journée.

## Accessoires

Pour commander les accessoires, aux É.-U., consulter notre page Web [www.kitchenaid.com/accessories](http://www.kitchenaid.com/accessories) ou composer le **1-800-901-2042**.

Au Canada, consulter notre page Web [www.whirlpoolparts.ca](http://www.whirlpoolparts.ca) ou composer le **1-800-807-6777**.

### Filtre à eau

Commander la pièce numéro F2WC9I1 ou ICE2

### Nettoyant

Commander la pièce numéro 4396808

### Nettoyant pour acier inoxydable affresh®\*

Aux É.-U., commander la pièce numéro W10355016

Au Canada, commander la pièce numéro W10355016B

\*affresh est une marque déposée de Whirlpool, É.-U.

### Lingettes pour acier inoxydable affresh®\*

Aux É.-U., commander la pièce numéro W10355049

Au Canada, commander la pièce numéro W10355049B

### Nettoyant pour appareil ménager et cuisine affresh®\*

Aux É.-U., commander la pièce numéro W10355010

Au Canada, commander la pièce numéro W10355010B

# FEUILLE DE DONNÉES SUR LA PERFORMANCE

## Système de filtration d'eau de la machine à glaçons Modèle P6GEG2KL, P6KG2KL, P6WG2KL Capacité 2000 gallons (7571 litres)



Produit testé et certifié par NSF International en vertu de la norme NSF/ANSI 42 (réduction du goût et de l'odeur du chlore).

Ce produit a été testé selon la norme NSF/ANSI 42 pour la réduction des substances énumérées ci-dessous. La concentration des substances indiquées dans l'eau entrant dans le système a été réduite à une concentration moindre ou égale à la limite permise pour l'eau qui quitte le système, tel que spécifié dans la norme NSF/ANSI 42.

Réd. de substances Effets esthétiques	Critères de réduction NSF	Affluent moyen	Concentration dans l'eau à traiter	Effluent maximal	Effluent moyen	% de réd. minimale	% de réd. moyenne
Chlore goût/odeur	réduction de 50 %	1,9727 mg/L	2,0 mg/L ± 10 %	0,71 mg/L	0,7788 mg/L	70,2	72,81

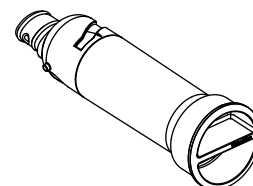
Paramètres de test : pH = 7,5 ± 0,5 à moins d'indications contraires. Débit = 0,50 gpm (1,89 Lpm). Pression = 60 lb/po<sup>2</sup> (413,7 kPa). Temp. = 68°F à 71,6°F (20°C à 22°C). Capacité de service nominale = 2000 gallons (7571 litres).

- Il est essentiel que les exigences de fonctionnement, d'entretien et de remplacement de filtre soient respectées pour que ce produit donne le rendement annoncé.
- Utiliser le filtre de remplacement P6RFG2K, P6RFG2K, P6RFG2K pièce n° ICE2.  
**Style 1** – Lorsque l'écran d'affichage de l'état du filtre à eau passe de "GOOD" (bon) à "ORDER" (commander), commander un nouveau filtre. Lorsque le témoin indique "REPLACE" (remplacer), il est recommandé de remplacer le filtre.  
**Style 2** – Appuyer sur FILTER (filtre) pour vérifier l'état du filtre à eau. Lorsque le témoin lumineux du filtre est jaune, et que les mots "ORDER FILTER" (commander filtre) apparaissent sur l'écran d'affichage, commander un nouveau filtre. Si le témoin lumineux du filtre est rouge, il est recommandé de remplacer le filtre.
- Ces contaminants ne sont pas nécessairement présents dans votre approvisionnement d'eau. Même si le test a été effectué dans des conditions de laboratoires standard, le rendement réel peut varier.
- Le produit doit être utilisé pour l'eau froide seulement.

- Ne pas utiliser pour le filtrage d'une eau microbiologiquement polluée ou de qualité inconnue en l'absence d'un dispositif de désinfection adéquat avant ou après le système.
- Consulter la section "Garantie" pour obtenir le nom, l'adresse et le numéro de téléphone du fabricant.
- Consulter la section "Garantie" pour voir la garantie limitée du fabricant.

### Directives d'application/ Paramètres d'approvisionnement en eau

Source d'eau	Collectivité ou puits
Pression de l'eau	30 - 120 lb/po <sup>2</sup> (207 - 827 kPa)
Température de l'eau	33° - 100°F (0,6° - 37,8°C)
Débit nominal	0,50 gpm (1,89 L/min) à 60 lb/po <sup>2</sup>



---

# GARANTIE DE LA MACHINE À GLAÇONS KITCHENAID®

---

## GARANTIE LIMITÉE DE TROIS ANS (PIÈCES ET MAIN-D'ŒUVRE)

Pendant trois ans à compter de la date d'achat, lorsque ce gros appareil ménager est installé, utilisé et entretenu conformément aux instructions jointes au produit ou fournies avec, la marque KitchenAid de Whirlpool Corporation ou Whirlpool Canada LP (ci-après désignée "KitchenAid") paiera pour les pièces de rechange spécifiées par l'usine et pour la main-d'œuvre pour corriger les vices de matériaux ou de fabrication qui existaient déjà lorsque ce gros appareil ménager a été acheté.

## GARANTIE LIMITÉE DE LA QUATRIÈME À LA CINQUIÈME ANNÉE (PIÈCES DU SYSTÈME DE RÉFRIGÉRATION SCÉLLÉ UNIQUEMENT - MAIN-D'ŒUVRE NON COMPRISE)

De la quatrième à la cinquième année inclusivement à compter de la date d'achat, lorsque ce gros appareil ménager est utilisé et entretenu conformément aux instructions jointes à ou fournies avec le produit, KitchenAid paiera pour les pièces de rechange spécifiées par l'usine pour corriger les vices de matériaux ou de fabrication (autres que des défauts d'apparence) sur le système de réfrigération scellé qui existaient déjà lorsque ce gros appareil ménager a été acheté pour les pièces suivantes : compresseur, évaporateur, condenseur, séchoir/filtre et conduits de connexion. La présente garantie limitée de 5 ans est valable uniquement pour les pièces de rechange du système de réfrigération scellé et ne comprend pas la main-d'œuvre.

LE SEUL ET EXCLUSIF RECOURS DU CLIENT DANS LE CADRE DE LA PRÉSENTE GARANTIE LIMITÉE CONSISTE EN LA RÉPARATION PRÉVUE PAR LA PRÉSENTE. Le service doit être fourni par une compagnie de service désignée par KitchenAid. Cette garantie limitée est valide uniquement aux États-Unis ou au Canada et s'applique exclusivement lorsque le gros appareil ménager est utilisé dans le pays où il a été acheté. La présente garantie limitée est valable à compter de la date d'achat initial par le consommateur. Une preuve de la date d'achat d'origine est exigée pour obtenir un service dans le cadre de la présente garantie limitée.

---

## ÉLÉMENTS EXCLUS DE LA GARANTIE

La présente garantie limitée ne couvre pas :

1. Les pièces de rechange ou la main-d'œuvre lorsque ce gros appareil ménager est utilisé à des fins autres que l'usage domestique unifamilial normal ou lorsque les instructions d'installation et/ou les instructions de l'opérateur ou de l'utilisateur fournies ne sont pas respectées.
2. Les visites de service pour rectifier l'installation du gros appareil ménager, montrer à l'utilisateur comment utiliser le gros appareil ménager, remplacer ou réparer des fusibles du domicile ou rectifier le câblage ou la plomberie du domicile.
3. Les visites de service pour réparer ou remplacer les ampoules électriques, les filtres à air ou les filtres à eau de l'appareil. Les pièces consommables ne sont pas couvertes par la garantie.
4. Les dommages imputables à : accident, modification, usage impropre ou abusif, incendie, inondation, actes de Dieu, installation fautive ou installation non conforme aux codes d'électricité ou de plomberie, ou l'utilisation de produits non approuvés par KitchenAid.
5. Les défauts d'apparence, notamment les éraflures, traces de choc, fissures ou tout autre dommage subi par le fini du gros appareil ménager, à moins que ces dommages ne résultent de vices de matériaux ou de fabrication et ne soient signalés à KitchenAid dans les 30 jours suivant la date d'achat.
6. Toute perte d'aliments ou de médicaments due à une défaillance du réfrigérateur ou du congélateur.
7. Le ramassage et la livraison. Ce gros appareil ménager est conçu pour être réparé à domicile.
8. Les réparations aux pièces ou systèmes résultant d'une modification non autorisée faite à l'appareil.
9. Les frais de déplacement et de transport pour une intervention de dépannage sur le produit si votre gros appareil est situé dans une région éloignée où aucune société de dépannage autorisée par KitchenAid n'est disponible.
10. La dépose et la réinstallation de votre gros appareil ménager si celui-ci est installé dans un endroit inaccessible ou n'est pas installé conformément aux instructions d'installation fournies par KitchenAid.
11. Les pièces de rechange ou la main-d'œuvre pour les gros appareils ménagers dont les numéros de modèle/de série ont été enlevés, modifiés ou ne peuvent pas être facilement identifiés.
12. La décoloration, la rouille ou l'oxydation des surfaces en acier inoxydable.

**Le coût d'une réparation ou d'un remplacement dans le cadre de ces circonstances exclues est à la charge du client.**

---

## CLAUSE D'EXONÉRATION DE RESPONSABILITÉ AU TITRE DES GARANTIES IMPLICITES

LES GARANTIES IMPLICITES, Y COMPRIS LES GARANTIES APPLICABLES DE QUALITÉ MARCHANDE OU D'APTITUDE À UN USAGE PARTICULIER, SONT LIMITÉES À UN AN OU À LA PLUS COURTE PÉRIODE AUTORISÉE PAR LA LOI. Certains États et provinces ne permettent pas de limitation sur la durée des garanties implicites de qualité marchande ou d'aptitude à un usage particulier, de sorte que la limitation ci-dessus peut ne pas être applicable dans votre cas. Cette garantie vous confère des droits juridiques spécifiques et vous pouvez également jouir d'autres droits qui peuvent varier d'une juridiction à l'autre.

---

## EXONÉRATION DE RESPONSABILITÉ DANS LES DOMAINES NON COUVERTS PAR LA GARANTIE

KitchenAid décline toute responsabilité au titre de la qualité, de la durabilité ou en cas de dépannage ou de réparation nécessaire sur ce gros appareil ménager autre que les responsabilités énoncées dans la présente garantie. Si vous souhaitez une garantie plus étendue ou plus complète que la garantie limitée fournie avec ce gros appareil ménager, adressez-vous à KitchenAid ou à votre détaillant pour obtenir les modalités d'achat d'une garantie étendue.

---

## LIMITATION DES RECOURS; EXCLUSION DES DOMMAGES FORTUITS OU INDIRECTS

LE SEUL ET EXCLUSIF RECOURS DU CLIENT DANS LE CADRE DE LA PRÉSENTE GARANTIE LIMITÉE CONSISTE EN LA RÉPARATION PRÉVUE PAR LA PRÉSENTE. KITCHENAID N'ASSUME AUCUNE RESPONSABILITÉ POUR LES DOMMAGES FORTUITS OU INDIRECTS. Certains États et certaines provinces ne permettent pas l'exclusion ou la limitation des dommages fortuits ou indirects de sorte que ces limitations et exclusions peuvent ne pas être applicables dans votre cas. Cette garantie vous confère des droits juridiques spécifiques et vous pouvez également jouir d'autres droits qui peuvent varier d'une juridiction à l'autre.

---

---

Si vous résidez à l'extérieur des 50 États des États-Unis et du Canada, contactez votre marchand KitchenAid autorisé pour déterminer si une autre garantie s'applique.

Si vous avez besoin d'un service de réparation, voir d'abord la section "Dépannage" du guide d'utilisation et d'entretien. Si vous êtes dans l'incapacité de résoudre le problème après avoir vérifié la section "Dépannage", vous pourrez trouver de l'aide supplémentaire en vérifiant la section "Assistance ou service" ou en appelant KitchenAid. Aux É.-U., composer le **1-800-422-1230**. Au Canada, composer le **1-800-807-6777**.

2/11

---

**Conservez ce manuel et votre reçu de vente ensemble pour référence ultérieure. Pour le service sous garantie, vous devez présenter un document prouvant la date d'achat ou d'installation.**

Inscrivez les renseignements suivants au sujet de votre gros appareil ménager pour mieux vous aider à obtenir assistance ou service en cas de besoin. Vous devez connaître le numéro de modèle et le numéro de série au complet. Vous trouverez ces renseignements sur la plaque signalétique située sur le produit.

Nom du marchand \_\_\_\_\_

Adresse \_\_\_\_\_

Numéro de téléphone \_\_\_\_\_

Numéro de modèle \_\_\_\_\_

Numéro de série \_\_\_\_\_

Date d'achat \_\_\_\_\_

## Free Manuals Download Website

<http://myh66.com>

<http://usermanuals.us>

<http://www.somanuals.com>

<http://www.4manuals.cc>

<http://www.manual-lib.com>

<http://www.404manual.com>

<http://www.luxmanual.com>

<http://aubethermostatmanual.com>

Golf course search by state

<http://golfingnear.com>

Email search by domain

<http://emailbydomain.com>

Auto manuals search

<http://auto.somanuals.com>

TV manuals search

<http://tv.somanuals.com>