

# INSTALLATION INSTRUCTIONS 30" (76.2 CM) ELECTRIC BUILT-IN MICROWAVE/OVEN COMBINATION

## INSTRUCTIONS D'INSTALLATION ENSEMBLE ENCASTRÉ FOUR À MICRO-ONDES/ FOUR THERMIQUE ÉLECTRIQUES DE 30" (76,2 CM)

### Table of Contents/Table des matières

<b>BUILT-IN OVEN SAFETY</b> .....	<b>2</b>	<b>SÉCURITÉ DU FOUR ENCASTRÉ</b> .....	<b>11</b>
<b>INSTALLATION REQUIREMENTS</b> .....	<b>2</b>	<b>EXIGENCES D'INSTALLATION</b> .....	<b>12</b>
Tools and Parts .....	2	Outillage et pièces .....	12
Built-In Microwave/Oven Combination		Ensemble encastré Four à micro-ondes/Four thermique	
Location Requirements .....	2	Exigences d'emplacement .....	12
Water Filtration System Location Requirements .....	3	Exigences d'emplacement du système de filtration de l'eau .....	13
Water Supply Requirements .....	4	Spécifications de l'alimentation en eau .....	13
Electrical Requirements .....	4	Spécifications électriques .....	14
<b>INSTALLATION INSTRUCTIONS</b> .....	<b>5</b>	<b>INSTRUCTIONS D'INSTALLATION</b> .....	<b>15</b>
Prepare Built-In Microwave/Oven Combination .....	5	Préparation de l'ensemble encastré Four à micro-ondes/Four thermique .....	15
Remove Oven Door .....	5	Dépose de la porte du four .....	15
Make Electrical Connection .....	5	Raccordement électrique .....	15
Install Water Filtration System .....	6	Installation du filtre à eau .....	16
Install Oven .....	8	Installation du four .....	18
Complete Installation .....	9	Achever l'installation .....	19

#### **IMPORTANT:**

Save for local electrical inspector's use.

#### **IMPORTANT :**

À conserver pour consultation par l'inspecteur local des installations électriques.

# BUILT-IN OVEN SAFETY

## Your safety and the safety of others are very important.

We have provided many important safety messages in this manual and on your appliance. Always read and obey all safety messages.



This is the safety alert symbol.

This symbol alerts you to potential hazards that can kill or hurt you and others.

All safety messages will follow the safety alert symbol and either the word "DANGER" or "WARNING."

These words mean:

**⚠ DANGER**

You can be killed or seriously injured if you don't immediately follow instructions.

**⚠ WARNING**

You can be killed or seriously injured if you don't follow instructions.

All safety messages will tell you what the potential hazard is, tell you how to reduce the chance of injury, and tell you what can happen if the instructions are not followed.

## INSTALLATION REQUIREMENTS

### Tools and Parts

Gather the required tools and parts before starting installation. Read and follow the instructions provided with any tools listed here.

#### Tools needed

- Adjustable wrench or  $\frac{5}{8}$ " wrench
- Phillips screwdriver
- Flat-blade screwdriver
- Measuring tape
- Hand or electric drill (for wall cabinet installations)
- 1" (25 mm) drill bit (for wall cabinet installations)
- Level
- Copper tubing cutter

#### Parts supplied (1 box, 3 plastic bags)

- One -  $\frac{3}{8}$ " stem to  $\frac{1}{4}$ " quick connect
- Two -  $\frac{3}{8}$ " elbow to  $\frac{1}{4}$ " quick connects
- Water filter
- #10-16 x  $\frac{5}{8}$ " screw and 1 mounting ring (to mount water filter)
- #8-14 x 1" screws - single oven (2), double oven (4)
- Bottom vent (supplied on some models)
- #8-18 x  $\frac{3}{8}$ " screws - bottom vent (supplied on some models)

#### Parts needed

- UL listed or CSA approved conduit connector
- UL listed wire connectors
- Tubing staples/retainers
- $\frac{1}{4}$ " O.D. copper tubing (to make water connection)

**NOTE:** Due to temperatures around oven, copper tubing is required.

- Water connection device (to connect  $\frac{1}{4}$ " O.D. copper tubing to water source). Check local codes for type of connection required.
- $\frac{1}{4}$ " to  $\frac{1}{4}$ " water supply union (between copper tubing from the filter and copper tubing attached to oven).

Check local codes. Check existing electrical supply. See "Electrical Requirements."

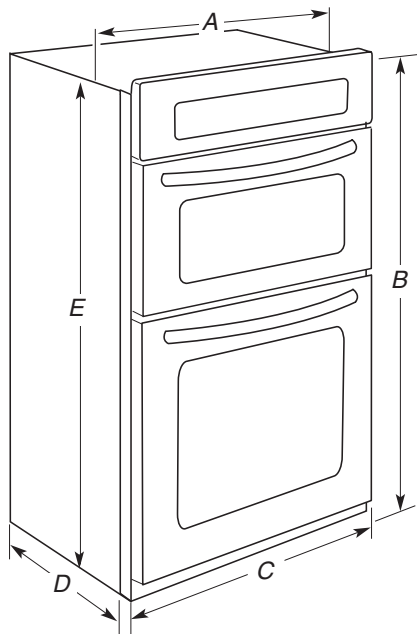
It is recommended that all electrical connections be made by a licensed, qualified electrical installer.

### Built-In Microwave/Oven Combination Location Requirements

**IMPORTANT:** Observe all governing codes and ordinances.

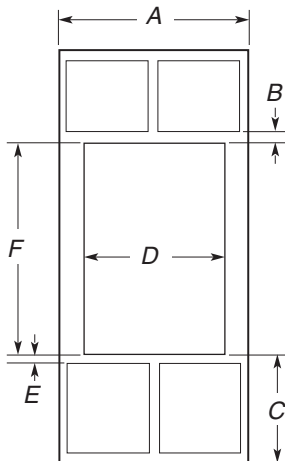
- Cabinet opening dimensions that are shown must be used. Given dimensions provide minimum clearance with oven.
- Recessed installation area must provide complete enclosure around the recessed portion of the oven.
- Grounded electrical supply is required. See "Electrical Requirements" section.
- Electrical supply junction box should be located 3" (7.6 cm) maximum below the support surface when the oven is installed in a wall cabinet. A 1" (2.5 cm) minimum diameter hole should have been drilled in the right rear or left rear corner of the support surface to pass the appliance cable through to the junction box.
- Oven support surface must be solid, level and flush with bottom of cabinet cutout. Floor must be able to support a total weight (microwave and built-in oven) of 238 lbs (108 kg).

## Product Dimensions



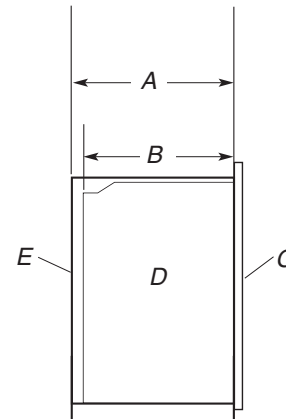
- A. 28 $\frac{5}{16}$ " (71.9 cm) recessed width
- B. 42 $\frac{9}{16}$ " (107.5 cm) overall height
- C. 29 $\frac{3}{4}$ " (75.6 cm) overall width
- D. 23" (58.4 cm) max. recessed depth
- E. 40 $\frac{3}{4}$ " (103.5 cm) recessed height

## Cabinet Dimensions



- A. 30" (76.2 cm) min. cabinet width
- B. 1" (2.5 cm) top of cutout to bottom of upper cabinet door
- C. 19 $\frac{1}{4}$ " (48.9 cm) bottom of cutout to floor
- D. 28 $\frac{1}{2}$ " (72.4 cm) cutout width
- E. 1 $\frac{1}{2}$ " (3.8 cm) min. bottom of cutout to top of cabinet door
- F. 41 $\frac{1}{4}$ " (104.8 cm) cutout height

## Cabinet Side View



- A. 24" (61.0 cm) min. cutout depth
- B. 23" (58.4 cm) recessed oven depth
- C. Oven front
- D. Recessed oven
- E. Cabinet

## Water Filtration System Location Requirements

For best results, do not install the water filtration system outside, or in extreme hot or cold temperatures. Temperature of water supply to the water filtration system must be between 40°F/4°C and 100°F/38°C. Do not install on hot water supply line.

Locate the water filtration system near the cold water supply pipe under the kitchen sink to filter cold water.

It will be necessary to drill a  $\frac{1}{2}$ " (1.3 cm) minimum diameter hole in the upper right or left rear corner of the side wall of the cabinet under the sink to route the water supply tubing through to the oven cabinet cutout.

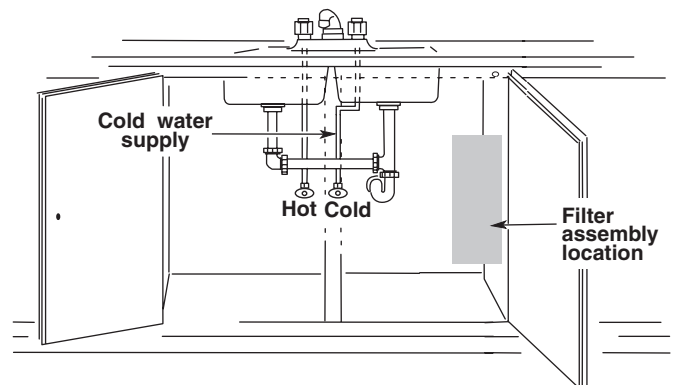
Another  $\frac{1}{2}$ " (1.3 cm) minimum diameter hole will need to be drilled at the rear wall in the oven cabinet cutout.

Depending on your installation configuration, more routing holes may be required.

Coil enough copper tubing inside the oven cabinet to allow for the connection to the oven to be made outside the oven cabinet prior to setting the oven in place.

### Typical Installation Configuration

**NOTE:** For unique installations contact a licensed plumber.



---

## Water Supply Requirements

A cold water supply with water pressure between 30 and 120 psi (207 and 827 kPa) is required to operate the steam feature. In Massachusetts, plumbing code 248 CMR 3.00 and 10.00 must be followed. If you have questions about your water pressure call a licensed, qualified plumber.

### Reverse Osmosis Water Supply

**IMPORTANT:** The pressure of the water supply coming out of a reverse osmosis system going to the water inlet valve of the oven needs to be between 30 and 120 psi (207 and 827 kPa).

If a reverse osmosis water filtration system is connected to your cold water supply, the water pressure to the reverse osmosis system needs to be a minimum of 40 psi (276 kPa).

If the water pressure to the reverse osmosis system is less than 40 psi (276 kPa):

- Check to see whether the sediment filter in the reverse osmosis system is blocked. Replace the filter if necessary.
- Allow the storage tank on the reverse osmosis system to refill after heavy usage.

If you have questions about your water pressure, call a licensed, qualified plumber.

---

## Electrical Requirements

If codes permit and a separate ground wire is used, it is recommended that a qualified electrical installer determine that the ground path and the wire gauge are in accordance with local codes.

Check with a qualified electrical installer if you are not sure the oven is properly grounded.

This oven must be connected to a grounded metal, permanent wiring system.

Be sure that the electrical connection and wire size are adequate and in conformance with the National Electrical Code, ANSI/NFPA 70-latest edition or CSA Standards C22.1-94, Canadian Electrical Code, Part 1 and C22.2 No. O-M91-latest edition, and all local codes and ordinances.

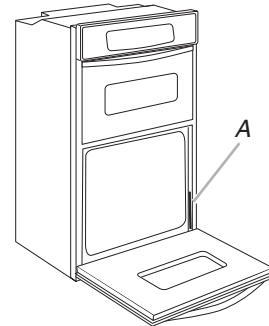
A copy of the above code standards can be obtained from:

National Fire Protection Association  
One Batterymarch Park  
Quincy, MA 02269  
CSA International  
8501 East Pleasant Valley Road  
Cleveland, OH 44131-5575

## Electrical Connection

To properly install your oven, you must determine the type of electrical connection you will be using and follow the instructions provided for it here.

- Oven must be connected to the proper electrical voltage and frequency as specified on the model/serial number rating plate. The model/serial number rating plate is located at the bottom of the right-hand mounting rail. See the following illustration.



A. Model/serial number plate

- Models rated from 7.3 to 9.6 kW at 240 volts (5.5 to 7.2 kW at 208 volts) require a separate 50-amp circuit. Models rated at 7.2 kW and below at 240 volts (5.4 kW and below at 208 volts) require a separate 30-amp circuit.
- A circuit breaker is recommended.
- Connect directly to the circuit breaker box (or fused disconnect) through flexible, armored or nonmetallic sheathed, copper cable (with grounding wire). See "Make Electrical Connection" section.
- Flexible conduit from the oven should be connected directly to the junction box.
- Do not cut the conduit. The length of conduit provided is for serviceability of the oven.
- A UL listed or CSA approved conduit connector must be provided.
- If the house has aluminum wiring follow the procedure below:
  1. Connect a section of solid copper wire to the pigtail leads.
  2. Connect the aluminum wiring to the added section of copper wire using special connectors and/or tools designed and UL listed for joining copper to aluminum.

Follow the electrical connector manufacturer's recommended procedure. Aluminum/copper connection must conform with local codes and industry accepted wiring practices.

# INSTALLATION INSTRUCTIONS

## Prepare Built-In Microwave/Oven Combination

1. Decide on the final location for the oven. Avoid drilling into or severing existing wiring during installation.

### **⚠ WARNING**

#### Excessive Weight Hazard

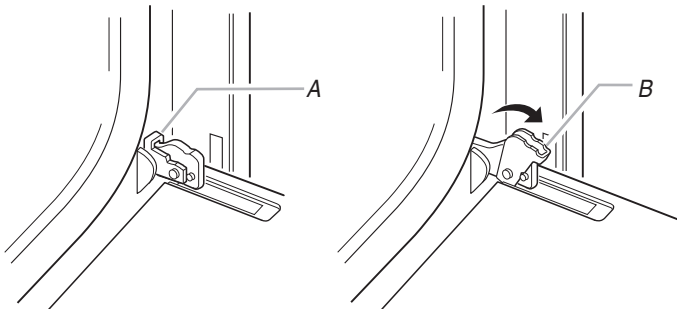
**Use two or more people to move and install oven.  
Failure to do so can result in back or other injury.**

2. To avoid floor damage, set the oven onto cardboard prior to installation. Do not use handle or any portion of the front frame for lifting.
3. Remove the shipping materials and tape from the oven.
4. Remove the hardware package from inside the bag containing literature.
5. Remove and set aside racks and other parts from inside the oven.
6. Move oven and cardboard close to the oven's final location.

## Remove Oven Door

**IMPORTANT:** Use both hands to remove oven door(s).

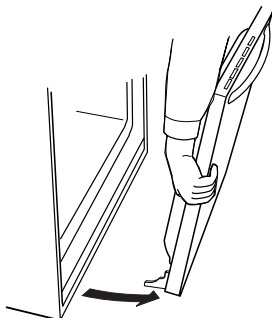
1. Open the oven door.
2. Locate the oven door latches in both corners of the oven door, and rotate the latches forward to the unlocked position.



A. Oven door latch in locked position

B. Oven door latch in unlocked position

3. Grasp the edges of the oven door with both hands and close the oven door until it will no longer close. Lift and pull oven door toward you and remove. Set the oven door(s) aside on a covered work surface.



## Make Electrical Connection

### **⚠ WARNING**



#### Electrical Shock Hazard

**Disconnect power before servicing.**

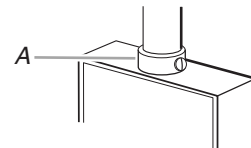
**Use 8 gauge solid copper wire.**

**Electrically ground oven.**

**Failure to follow these instructions can result in death, fire, or electrical shock.**

This oven is manufactured with a neutral (white) power supply wire and a cabinet-connected green (or bare) ground wire twisted together.

1. Disconnect power.
2. Feed the flexible conduit from the oven through the opening in the cabinet.
3. Remove junction box cover, if it is present.
4. Install a UL listed or CSA approved conduit connector to the junction box.



A. UL listed or CSA approved conduit connector

5. Route the flexible conduit from the oven to the junction box through a UL listed or CSA approved conduit connector.
6. Tighten screws on conduit connector.
7. See "Electrical Connection Options Chart" to complete installation for your type of electrical connection.

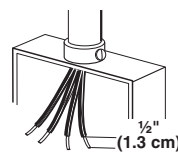
### Electrical Connection Options Chart

#### If your home has:

#### Go to section:

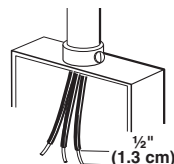
4-wire

4-wire Cable from Home Power Supply



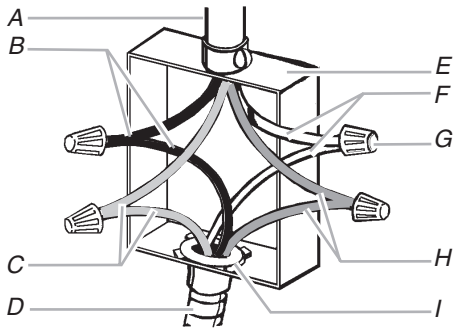
3-wire

3-wire Cable from Home Power Supply



## 4-Wire Cable from Home Power Supply

**IMPORTANT:** Use the 4-wire cable from home power supply in the U.S. where local codes do not allow grounding through neutral, New Branch circuit installations (1996 NEC), mobile homes and recreational vehicles, new construction and in Canada.

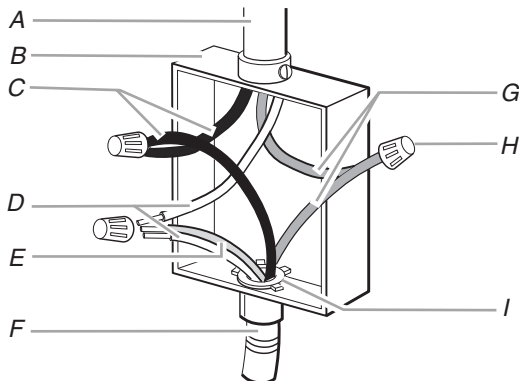


- |                                      |  |
|--------------------------------------|--|
| A. Cable from home power supply      | F. White wires                                 |
| B. Black wires                       | G. UL listed wire connectors                   |
| C. Red wires                         | H. Green (or bare) ground wires                |
| D. 4-wire flexible conduit from oven | I. UL listed or CSA approved conduit connector |
| E. Junction box                      |  |

1. Connect the 2 black wires (B) together using a UL listed wire connector.
2. Connect the 2 red wires (C) together using a UL listed wire connector.
3. Untwist white wire from green (or bare) ground wire coming from the oven.
4. Connect the 2 white wires (F) together using a UL listed wire connector.
5. Connect the green (or bare) ground wire (H) from the oven cable to the green (or bare) ground wire (in the junction box) using a UL listed wire connector.
6. Install junction box cover.

## 3-Wire Cable from Home Power Supply - U.S. Only

**IMPORTANT:** Use the 3-wire cable from home power supply where local codes permit a 3-wire connection.



- |  |  |
|--|--|
| A. Cable from home power supply            | F. 4-wire flexible conduit from oven           |
| B. Junction box                            | G. Red wires                                   |
| C. Black wires                             | H. UL listed wire connectors                   |
| D. White wires                             | I. UL listed or CSA approved conduit connector |
| E. Green (or bare) ground wire (from oven) |  |

1. Connect the 2 black wires (C) together using a UL listed wire connector.
2. Connect the 2 white wires (D) and the green (or bare) ground wire (of the oven cable) using a UL listed wire connector.
3. Connect the 2 red wires (G) together using a UL listed wire connector.
4. Install junction box cover.

## Install Water Filtration System

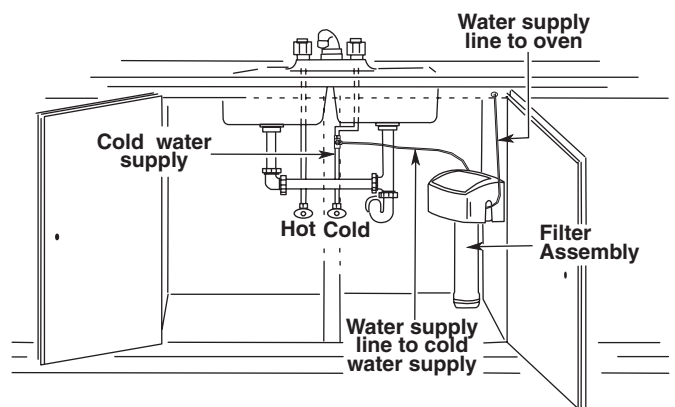
### Install Water Filter

1. Install the water filter near the cold water supply pipe under the kitchen sink to filter the cold water.

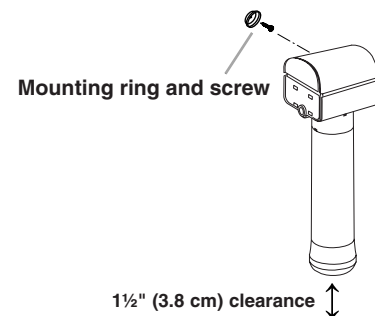
**IMPORTANT:** Be sure to allow a minimum clearance of 1½" (3.8 cm) under the filter system for removing the filter cartridge.

### Typical Installation Configuration

**NOTE:** For unique installations contact a licensed plumber.



2. Attach the supplied water filter mounting ring and screw at the recommended location.
3. Attach filter to the mounting ring.



### Connect to Home Water Supply

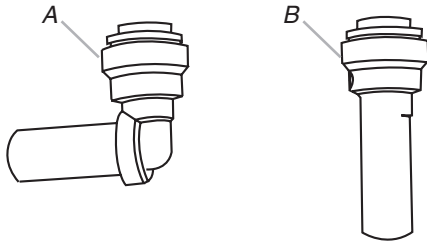
1. Make connection to the cold water supply line.
  - A leak-tight connection to the ¼" copper tubing must be provided.
  - Check local codes for type of connection required.
  - Copper water supply tubing must be cut with a copper tubing cutter so the ends are concentric and without burrs.

**NOTE:** It is recommended that the cold water line be soft water.

## Connect to Water Filter Inlet (yellow)

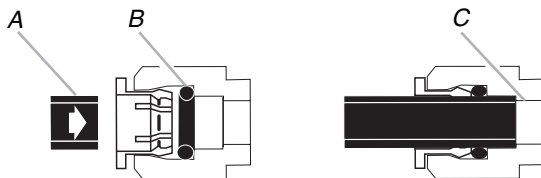
**NOTE:** Use the quick connect stem and/or elbow adapter fittings in the combination needed for your installation configuration.

1. Attach the supplied  $\frac{3}{8}$ " to  $\frac{1}{4}$ " stem or  $\frac{3}{8}$ " to  $\frac{1}{4}$ " elbow quick connect adapter fitting to the yellow water filter inlet connection by pushing the quick connect fitting past the o-ring until you hit the backstop.



A. Quick connect elbow adapter fitting  
B. Quick connect stem adapter fitting

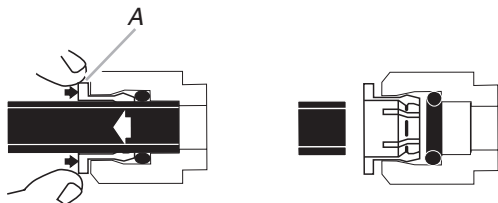
2. Connect the copper water supply tubing (not provided) from the home cold water supply pipe to the quick connect adapter fitting you just installed on the filter inlet (yellow) side of the water filter.
3. Pull tube to ensure it is secured.



A.  $\frac{1}{4}$ " water supply tubing  
B. O-ring  
C. Backstop

### If you need to release tubing:

Push in collet to release tubing. With collet held in, pull tubing straight out.

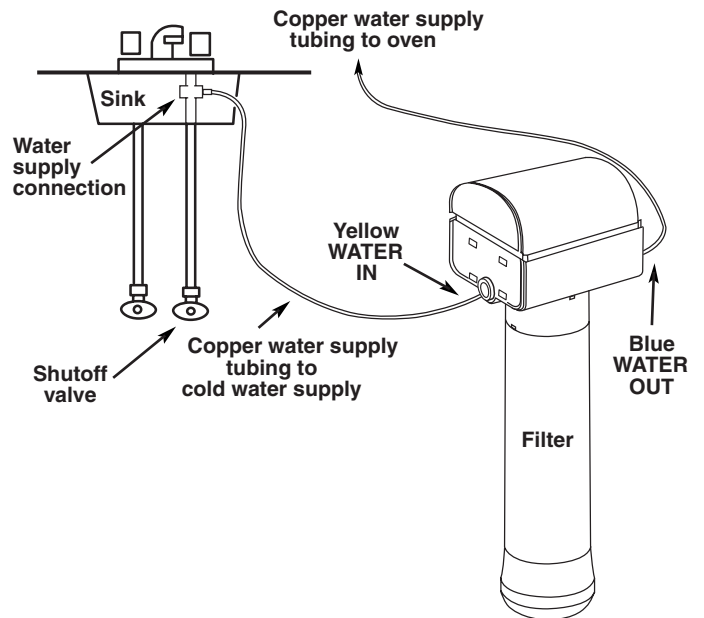


A. Collet

## Connect to Water Filter Outlet (blue)

1. Attach the supplied  $\frac{3}{8}$ " to  $\frac{1}{4}$ " stem or  $\frac{3}{8}$ " to  $\frac{1}{4}$ " elbow quick connect adapter fitting to the blue water filter outlet connection by pushing the quick connect fitting past the o-ring until you hit the backstop.
2. Connect another piece of copper water supply tubing to the quick connect adapter fitting you just installed on the filter outlet (blue) side of the water filter.

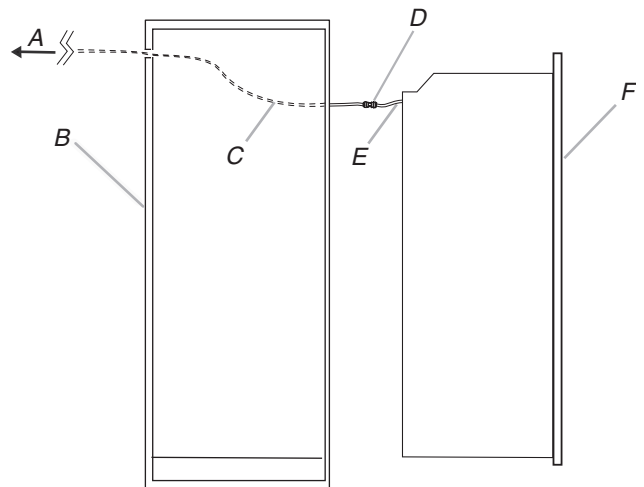
3. Pull tube to ensure it is secured.



4. Route copper tubing through undersink cabinet and oven cabinet cutout.

**NOTE:** Due to temperatures around oven, copper tubing is required.

5. Connect the copper water supply tubing to the oven copper tubing, using a  $\frac{1}{4}$ " to  $\frac{1}{4}$ " water supply union (not provided).



A. To home water supply  
B. Rear of cabinet cutout  
C. Copper water supply tubing from home water supply  
D.  $\frac{1}{4}$ " to  $\frac{1}{4}$ " water supply union (not provided)  
E. Oven copper tubing  
F. Oven front

6. Turn on water supply.
7. Check all connections for leaks.

**NOTE:** No flushing or conditioning of the water filter is required prior to use.

## Install Oven

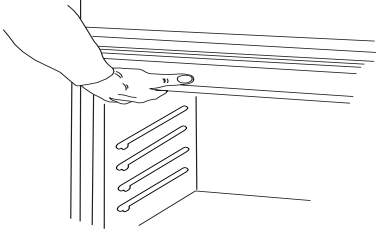
### **⚠ WARNING**

#### **Excessive Weight Hazard**

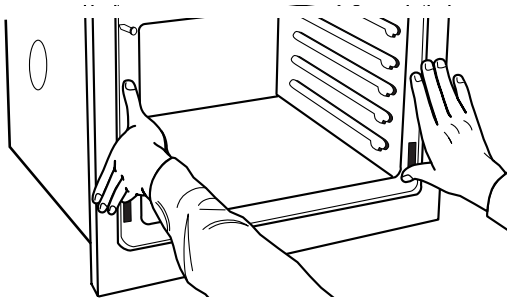
**Use two or more people to move and install oven.  
Failure to do so can result in back or other injury.**

1. Using 2 or more people, lift oven partially into cabinet cutout using the oven opening as an area to grip.

**NOTE:** Push against seal area of oven front frame when pushing oven into cabinet. Do not push against outside edges.

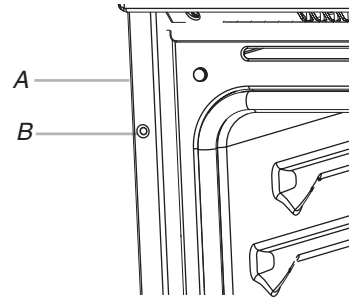


2. Push against seal area of front frame to push oven into cabinet.



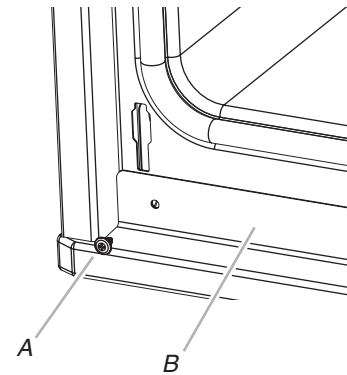
3. Push oven completely into cabinet and center oven into cabinet cutout.

4. Securely fasten oven to cabinet using the #8-14 x 1" screws (2 for single oven, 4 for double oven) provided. Insert the screws through holes in mounting rails. Do not overtighten screws.



A. Mounting rail  
B. Insert #8-14 x 1" screw.

5. On some models, the oven vent is taped to the side of the oven. With one #8-14 x 3/8" screw for each side of the vent, fasten vent securely to the oven.



A. #8-14 x 3/8" screw  
B. Oven vent

6. Replace oven racks.
7. Replace oven door(s) by inserting ends of hinges into hinge slots in the oven frame.
8. Push hinges in as far as they will go and open the oven door. You should feel the oven door drop into place.
9. Rotate both hinge latches back to the locked position.
10. Check that the door is free to open and close. If it is not, repeat the removal and installation procedures. See "Remove Oven Door" section.
11. Reconnect power.
12. Display panel will light briefly, and "PF" should appear in the display.
13. If display panel does not light, please reference the "Assistance or Service" section of the Use and Care Guide or contact the dealer from whom you purchased your oven.



---

## Complete Installation

1. Check that all parts are now installed. If there is an extra part, go back through the steps to see which step was skipped.
2. Check that you have all of your tools.
3. Dispose of/recycle all packaging materials.
4. For oven use and cleaning, read the Use and Care Guide.

### Check Operation of Lower Oven

1. Turn power on.
2. From the Main Menu touch STEAM COOK.
3. Touch AUTO STEAM.
4. Touch VEGETABLES.
5. Touch START, then OK.

#### If oven(s) does not operate, check the following:

- Household fuse is intact and tight; or circuit breaker has not tripped.
  - Electrical supply is connected.
  - See “Troubleshooting” section in the Use and Care Guide.
6. When oven has been on for 10-15 minutes, open the oven door, look for water vapor escaping and feel for heat.  
If you do not see water vapor or feel heat or if an error code (“F” followed by a number plus “E” followed by a number) appears in the display, turn off the oven and contact a qualified technician.
  7. Touch OFF.

### Check Operation of Microwave Oven

1. Fill a microwave-safe container with 1 cup (250 mL) of water and place container inside microwave oven. Close door firmly.
2. From the Main Menu touch MANUAL METHOD.
3. Touch MANUAL COOK.
4. Set microwave oven cook time to “2:00” minutes.
5. Touch START.

#### If microwave does not operate, check the following:

- Household fuse is intact and tight; or circuit breaker has not tripped.
- Electrical supply is connected.
- See “Troubleshooting” section in the Use and Care Guide.

When display reads “1:00” minute, open microwave oven door. The microwave should stop cooking. Close door firmly. The interior microwave oven light should turn off.

6. Touch CONTINUE to resume preset cycle. The microwave oven should begin cooking, and the microwave oven interior light should be on.  
Let microwave oven complete cooking time. Tones will sound at the end of the cooking time, and the microwave oven will shut off.
7. Open microwave oven door and slowly remove container. Water in container should be hot.

To set the clock and other oven functions, refer to the Use and Care Guide.

#### If you need Assistance or Service:

Please reference the “Assistance or Service” section of the Use and Care Guide or contact the dealer from whom you purchased your built-in oven.

---

## Notes

# SÉCURITÉ DU FOUR ENCASTRÉ

## Votre sécurité et celle des autres est très importante.

Nous donnons de nombreux messages de sécurité importants dans ce manuel et sur votre appareil ménager. Assurez-vous de toujours lire tous les messages de sécurité et de vous y conformer.



Voici le symbole d'alerte de sécurité.

Ce symbole d'alerte de sécurité vous signale les dangers potentiels de décès et de blessures graves à vous et à d'autres.

Tous les messages de sécurité suivront le symbole d'alerte de sécurité et le mot "DANGER" ou "AVERTISSEMENT". Ces mots signifient :

**! DANGER**

**Risque possible de décès ou de blessure grave si vous ne suivez pas immédiatement les instructions.**

**! AVERTISSEMENT**

**Risque possible de décès ou de blessure grave si vous ne suivez pas les instructions.**

Tous les messages de sécurité vous diront quel est le danger potentiel et vous disent comment réduire le risque de blessure et ce qui peut se produire en cas de non-respect des instructions.

# EXIGENCES D'INSTALLATION

## Outillage et pièces

Rassembler les outils et pièces nécessaires avant d'entreprendre l'installation. Lire et observer les instructions fournies avec les outils de la liste qui suit.

### Outillage nécessaire

- Clé à molette ou clé de 5/8"
- Tournevis Phillips
- Tournevis à lame plate
- Mètre ruban
- Perceuse manuelle ou électrique (pour l'installation dans un placard mural)
- Foret de 1" (25 mm) (pour l'installation dans un placard mural)
- Niveau
- Coupe-tube, pour tubes de cuivre

### Pièces fournies (1 boîte, 3 sachets de plastique)

- Un raccord (connexion rapide) 3/8" à 1/4" (droit)
- Deux raccords (connexions rapide) 3/8" à 1/4" (coude)
- Filtre à eau
- Vis n° 10-16 x 5/8" et 1 anneau de montage (installation du filtre à eau)
- Vis n° 8-14 x 1" - four simple (2), four double (4)
- Bouche de décharge inférieure (fournie sur certains modèles)
- Vis n° 8-18 x 3/8" pour bouche de décharge inférieure (fournie sur certains modèles)

### Pièces nécessaires

- Connecteur de conduit (homologation UL ou CSA)
- Connecteurs de fils (homologation UL)
- Brides d'arrimage de tube
- Tube de cuivre dia. ext. 1/4" (raccordement à la source d'eau)

**REMARQUE :** L'emploi de tube de cuivre est nécessaire du fait de la température au voisinage du four.

- Dispositif de raccordement à la canalisation d'eau (raccordement du tube de cuivre dia. ext. 1/4" à la source d'eau). Consulter le code local au sujet du type de dispositif exigé.
- Raccord pour la canalisation d'eau - 1/4" à 1/4" (installation entre le tube de cuivre relié au filtre et le tube de cuivre relié au four)

Consulter les codes locaux en vigueur. Vérifier les caractéristiques de la source d'électricité existante. Voir "Spécifications électriques".

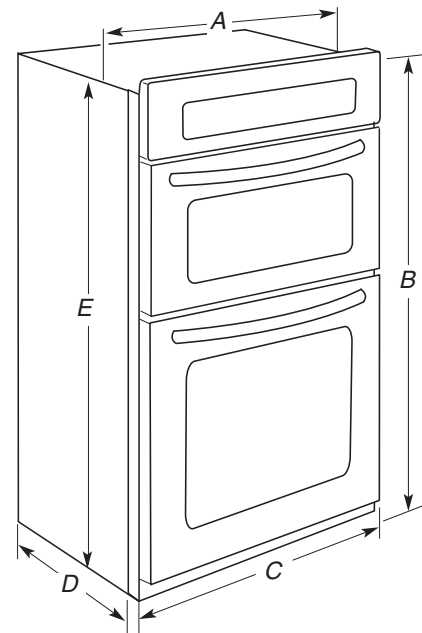
Il est recommandé de faire réaliser tous les raccordements des circuits électriques par un électricien qualifié agréé.

## Ensemble encastré Four à micro-ondes/ Four thermique Exigences d'emplacement

**IMPORTANT :** Observer les dispositions de tous les codes et règlements en vigueur.

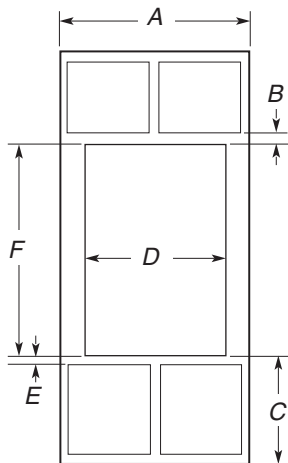
- Respecter les dimensions indiquées pour les ouvertures à découper dans les placards. Ces dimensions prennent en compte les dégagements de séparation nécessaires.
- L'espace d'installation doit permettre la formation d'une enceinte complète autour de la partie encastrée du four.
- Une source d'électricité avec liaison à la terre est nécessaire. Voir la section "Spécifications électriques".
- Le boîtier de connexion doit être situé à moins de 3" (7,6 cm) au-dessous de la surface de support lorsque le four est installé dans un placard mural. On devra avoir percé un trou de diamètre 1" (2,5 cm) ou plus dans l'angle arrière droit ou arrière gauche de la surface de support pour le passage du conduit de câblage jusqu'au boîtier de connexion.
- La surface de support du four doit être robuste, horizontale et en affleurement avec le bas de l'ouverture découpée dans le placard. Le plancher doit pouvoir soutenir le poids total de l'appareil (four à micro-ondes/four thermique) : 238 lb (108 kg)

### Dimensions du produit



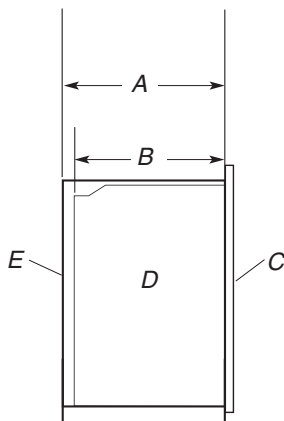
- A. 28 5/16" (71,9 cm) largeur d'encastrement
- B. 42 5/16" (107,5 cm) hauteur hors-tout
- C. 29 3/4" (75,6 cm) largeur hors-tout
- D. 23" (58,4 cm) profondeur max. d'encastrement
- E. 40 3/4" (103,5 cm) hauteur d'encastrement

## Dimensions du placard



- A. 30" (76,2 cm) largeur min. du placard
- B. 1" (2,5 cm) du sommet de l'ouverture découpée au bas de la porte du placard supérieur
- C. 19 1/4" (48,9 cm) du bas de l'ouverture découpée au plancher
- D. 28 1/2" (72,4 cm) largeur de l'ouverture découpée
- E. 1 1/2" (3,8 cm) min. du bas de l'ouverture découpée au sommet de la porte du placard
- F. 41 1/4" (104,8 cm) hauteur de l'ouverture découpée

## Vue en coupe latérale du placard



- A. 24" (61,0 cm) profondeur min. de l'ouverture découpée
- B. 23" (58,4 cm) profondeur de l'encastrement
- C. Façade du four
- D. Four encastré
- E. Placard

## Exigences d'emplacement du système de filtration de l'eau

Pour l'obtention des meilleurs résultats, ne pas installer le système de filtration d'eau à l'extérieur, ou dans un endroit où il serait exposé à une température très élevée ou très basse. Le système de filtration doit être alimenté par une température d'eau entre 40°F/4°C et 100°F/38°C. Ne pas installer le filtre dans la canalisation d'eau chaude.

Installer le système de filtration d'eau à proximité de la canalisation d'arrivée d'eau froide, sous l'évier de la cuisine, pour le filtrage d'eau froide.

Il sera nécessaire de percer un trou de 1/2" (13 mm) ou plus dans l'angle supérieur de la paroi latérale du placard sous l'évier (à gauche ou à droite) pour le passage du tube qui acheminera l'eau filtrée au four.

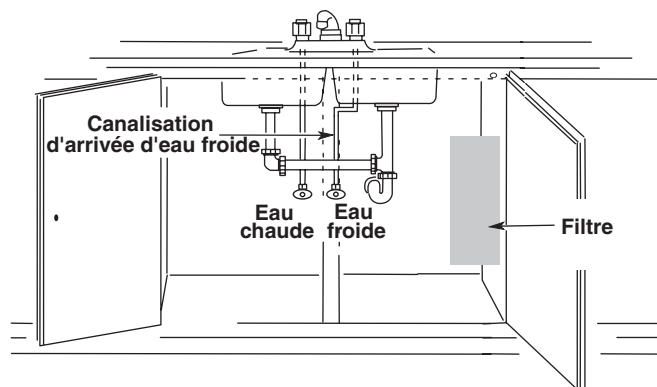
Il sera nécessaire de percer un autre trou de 1/2" (13 mm) ou plus dans le mur arrière à proximité de l'ouverture d'entrée dans la caisse du four.

Selon la configuration de l'installation, il peut être nécessaire de percer d'autres trous pour l'acheminement du conduit d'eau.

Lover une longueur suffisante de tube de cuivre à l'intérieur de la caisse du four pour qu'il soit possible d'effectuer le raccordement avec le four à l'extérieur de la caisse du four avant la mise en place du four.

### Configuration d'installation typique

**REMARQUE :** Pour une installation simple, contacter un plombier agréé.



## Spécifications de l'alimentation en eau

Le système de génération de vapeur doit être alimenté en eau froide sous pression de 30 à 120 lb/po<sup>2</sup> (207 à 827 kPa). Au Massachusetts, l'installation doit être conforme aux critères du code de plomberie 248 CMR 3.00 & 10.00. Pour toute question au sujet de la pression de l'eau, contacter un plombier qualifié agréé.

### Alimentation en eau par osmose inverse

**IMPORTANT :** La pression de l'eau fournie à l'entrée du four par un système de filtration par osmose inverse doit être de 30 à 120 lb/po<sup>2</sup> (207 à 827 kPa).

Si l'eau froide disponible est purifiée par un système d'osmose inverse, la pression de l'eau à l'entrée du système d'osmose inverse doit être d'au moins 40 lb/po<sup>2</sup> (276 kPa).

Si la pression d'eau à l'entrée du système d'osmose inverse est inférieure à 40 lb/po<sup>2</sup> (276 kPa) :

- Inspecter le système pour déterminer si le filtre à sédiments du système d'osmose inverse est obstrué; si nécessaire, remplacer le filtre.
- Laisser le réservoir de stockage du système d'osmose inverse se remplir après le puisage d'un grand volume d'eau.

Pour toute question au sujet de la pression de l'eau contacter un plombier qualifié agréé.

## Spécifications électriques

Si, lorsque le code en vigueur le permet, un conducteur additionnel est utilisé pour la liaison à la terre, il est recommandé qu'un électricien compétent vérifie la qualité de la liaison à la terre et que le calibre du conducteur soit conforme aux prescriptions du code local en vigueur.

En cas de doute quant à la qualité de la liaison à la terre du four, consulter un électricien qualifié.

Ce four doit être raccordé à un câblage métallique permanent, relié à la terre.

Veiller à ce que les raccordements électriques et le calibre des conducteurs soient adéquats et conformes aux prescriptions de l'édition la plus récente de tout code national en vigueur (National Electrical Code, ANSI/NFPA 70, ou norme CSA C22.1-94 [Code canadien de l'électricité, partie 1] et norme C22.2 No O-M91) et des codes et règlements locaux en vigueur.

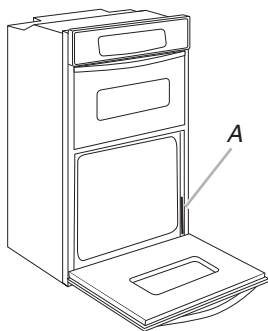
Pour obtenir un exemplaire des documents cités ci-dessus, contacter :

National Fire Protection Association  
One Batterymarch Park  
Quincy, MA 02269  
CSA International  
8501 East Pleasant Valley Road  
Cleveland, OH 44131-5575

### Raccordement électrique

Pour installer le four correctement, il faut déterminer le type de raccordement électrique que l'on utilisera et suivre les instructions indiquées ici.

- Le four doit être alimenté par une source d'électricité appropriée (caractéristiques de tension et fréquence spécifiées sur la plaque signalétique). On trouve la plaque signalétique de l'appareil en bas/à droite du châssis de l'appareil, derrière la porte. Voir l'illustration ci-dessous.



A. Plaque signalétique

- Les modèles de 7,3 à 9,6 kW/240 volts (5,5 à 7,2 kW/208 volts) doivent être alimentés par un circuit indépendant de capacité 50 A. Les modèles de 7,2 kW ou moins de 240 volts (5,4 kW ou moins de 208 volts) doivent être alimentés par un circuit indépendant de 30 A.
- L'emploi d'un disjoncteur est recommandé.
- Raccorder l'appareil directement au disjoncteur du tableau de distribution (ou à un coupe-circuit protégé par fusible) au moyen d'un câble flexible blindé ou à gaine non métallique, à conducteurs de cuivre (avec conducteur de liaison à la terre). Voir la section "Raccordement électrique".
- Le conduit flexible provenant du four devrait être connecté directement sur le boîtier de connexion.
- Ne pas couper le conduit. La longueur du conduit fourni permet le déplacement du four pour l'entretien.
- L'installateur doit fournir un connecteur de conduit (homologation UL ou CSA).
- Si la résidence est équipée d'un câblage en aluminium, appliquer les instructions suivantes :
  1. Connecter une section de conducteur en cuivre massif à chaque conducteur du four.
  2. Connecter le conducteur en aluminium à la section ajoutée de conducteur en cuivre - utiliser des connecteurs et/ou accessoires de raccordement spécialement conçus (homologation UL) pour le raccordement entre cuivre et aluminium.

Appliquer la procédure recommandée par le fabricant des connecteurs. Les connexions aluminium/cuivre doivent être conformes aux prescriptions des codes locaux et aux pratiques de câblage acceptées par l'industrie.

# INSTRUCTIONS D'INSTALLATION

## Préparation de l'ensemble encastré Four à micro-ondes/Four thermique

1. Choisir l'emplacement final pour l'installation du four. Éviter d'endommager le câblage existant durant l'installation (perçage, découpage, etc.).

### **⚠ AVERTISSEMENT**

#### Risque du poids excessif

Utiliser deux ou plus de personnes pour déplacer et installer le four.

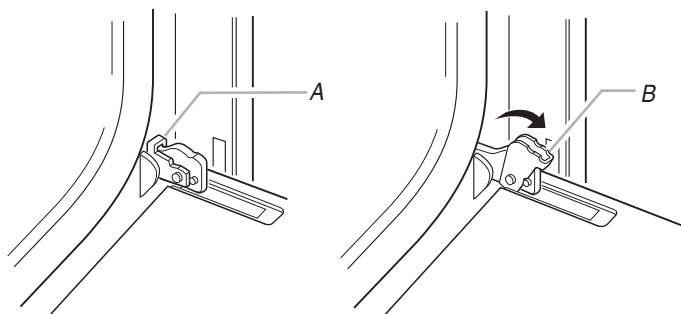
Le non-respect de cette instruction peut causer une blessure au dos ou d'autre blessure.

2. Pour éviter d'endommager le plancher, placer le four sur une pièce de carton avant l'installation. Pour les opérations de levage, ne pas saisir le four par la poignée de la porte ou toute autre partie de la façade.
3. Enlever les matériaux d'emballage et les rubans adhésifs du four.
4. Retirer le matériel placé à l'intérieur du sachet de documentation.
5. Enlever et conserver à part les grilles et autres composants qu'on trouve à l'intérieur du four.
6. Approcher le four et la pièce de carton de l'emplacement final du four.

## Dépose de la porte du four

**IMPORTANT :** Employer les deux mains pour enlever la/les porte(s) du four.

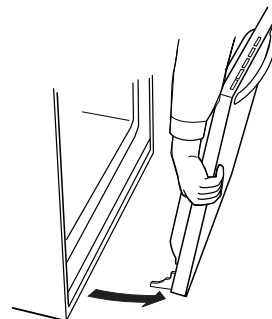
1. Ouvrir la porte du four.
2. Identifier les charnières de la porte du four dans les deux angles de la porte; faire pivoter les charnières vers l'avant jusqu'à la position de déverrouillage.



A. Porte du four - position de verrouillage

B. Porte du four - position de déverrouillage

3. Saisir les bords de la porte du four avec les deux mains et effectuer une manœuvre de fermeture de la porte du four, jusqu'à la position où la fermeture de la porte n'est plus possible. Soulever et tirer la porte du four vers soi et enlever la porte. Conserver la/les porte(s) du four à part sur une surface de travail couverte.



## Raccordement électrique

### **⚠ AVERTISSEMENT**



#### Risque de choc électrique

Déconnecter la source de courant électrique avant l'entretien.

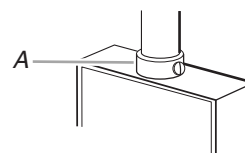
Utiliser du fil en cuivre rigide de calibre 8.

Relier le four à la terre.

Le non-respect de ces instructions peut causer un décès, un incendie ou un choc électrique.

Le câblage d'alimentation de ce four comporte un conducteur neutre (blanc) et un conducteur vert (ou nu) de liaison à la terre connecté à la caisse; ces deux conducteurs sont torsadés.

1. Déconnecter la source de courant électrique.
2. Faire passer le conduit de câble flexible depuis le four à travers l'ouverture dans la caisse.
3. Le cas échéant, enlever le couvercle du boîtier de connexion.
4. Installer un connecteur de conduit (homologation UL ou CSA) sur le boîtier de connexion.

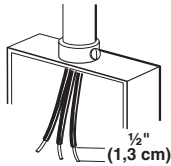
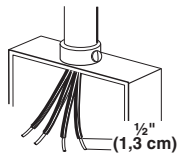


A. Connecteur de conduit (homologation UL ou CSA)

5. Acheminer le conduit de câble flexible depuis le four jusqu'au boîtier de connexion - utiliser un connecteur de conduit (homologation UL ou CSA).
6. Serrer les vis sur le connecteur de conduit.
7. Voir "Tableau des options de raccordement électrique" pour terminer l'installation correspondant à votre type de raccordement électrique.

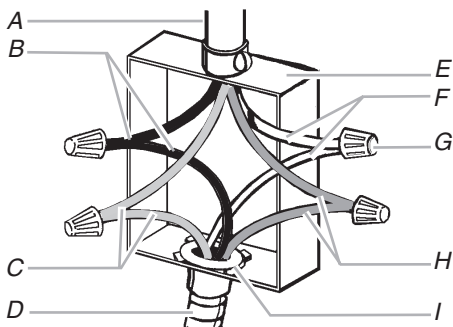
## Tableau des options de raccordement électrique

Câblage de la maison :	Voir la section :
4 conducteurs	Câble à 4 conducteurs depuis le point de distribution du domicile
3 conducteurs	Câble à 3 conducteurs depuis le point de distribution du domicile



### Câble à 4 conducteurs depuis le point de distribution du domicile

**IMPORTANT :** Utiliser le câble à 4 conducteurs provenant du point de distribution du domicile aux États-Unis lorsque les codes ne permettent pas la mise à la terre par l'intermédiaire du conducteur neutre, en cas de nouvelle installation avec alimentation par un circuit secondaire (1996 NEC), dans les résidences mobiles et les véhicules récréatifs, dans les nouvelles constructions, et au Canada.

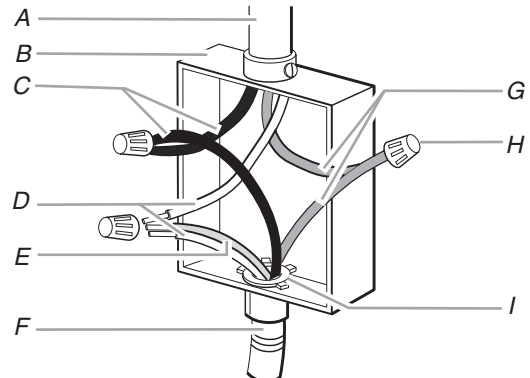


- |  |   |
|--|---|
| A. Câble depuis le point de distribution du domicile | F. Conducteurs blancs                               |
| B. Conducteurs noirs                                 | G. Connecteurs de fils (homologation UL)            |
| C. Conducteurs rouges                                | H. Conducteurs verts (ou nus) de liaison à la terre |
| D. Câble flexible à 4 conducteurs depuis le four     | I. Connecteur de conduit (homologation UL ou CSA)   |
| E. Boîtier de connexion                              |   |

1. Connecter ensemble les 2 conducteurs noirs (B) avec un connecteur de fils (homologation UL).
2. Connecter ensemble les 2 conducteurs rouges (C) avec un connecteur de fils (homologation UL).
3. Détorsader le conducteur blanc du conducteur vert (ou nu) de liaison à la terre provenant du four.
4. Connecter ensemble les 2 conducteurs blancs (F) avec un connecteur de fils (homologation UL).
5. Connecter le conducteur vert (ou nu) de liaison à la terre (H) du câble du four au conducteur vert (ou nu) de liaison à la terre dans le boîtier de connexion - utiliser un connecteur de fils (homologation UL).
6. Installer le couvercle du boîtier de connexion.

### Câble à 3 conducteurs depuis le point de distribution du domicile - É.-U. seulement

**IMPORTANT :** Utiliser le câble à 3 conducteurs depuis le point de distribution du domicile lorsque les codes locaux autorisent un tel raccordement.



- |   |   |
|---|---|
| A. Câble depuis le point de distribution du domicile              | F. Câble flexible à 4 conducteurs depuis le four  |
| B. Boîtier de connexion   | G. Conducteurs rouges                             |
| C. Conducteurs noirs  | H. Connecteurs de fils (homologation UL)          |
| D. Conducteurs blancs   | I. Connecteur de conduit (homologation UL ou CSA) |
| E. Conducteur vert (ou nu) de liaison à la terre (depuis le four) |   |

1. Connecter ensemble les 2 conducteurs noirs (C) avec un connecteur de fils (homologation UL).
2. Connecter les 2 conducteurs blancs (D) et le conducteur vert (ou nu) de liaison à la terre (du câble du four) avec un connecteur de fils (homologation UL).
3. Connecter ensemble les 2 conducteurs rouges (G) avec un connecteur de fils (homologation UL).
4. Installer le couvercle du boîtier de connexion.

## Installation du filtre à eau

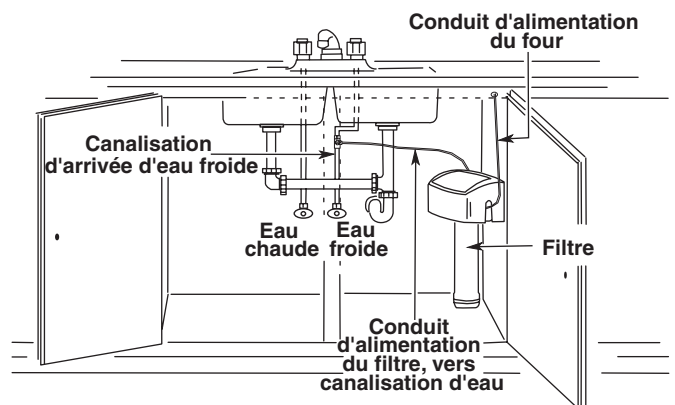
### Installer le filtre à eau

1. Installer le filtre à eau à proximité de la canalisation d'arrivée d'eau froide sous l'évier de la cuisine, pour le filtrage de l'eau froide.

**IMPORTANT :** Veiller à maintenir un espace libre d'au moins 1 1/2" (3,8 cm) sous le filtre pour pouvoir retirer la cartouche du filtre.

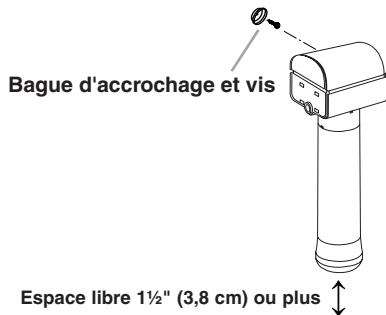
### Configuration d'installation typique

**REMARQUE :** Pour une installation simple, contacter un plombier agréé.





- À l'emplacement d'installation choisi, fixer l'anneau de montage (fourni) du filtre à eau avec une vis.
- Installer le filtre sur l'anneau de montage.



### Raccordement à la canalisation d'eau

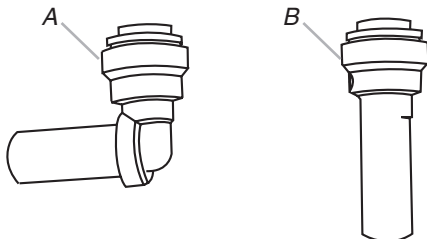
- Relier le filtre à eau à la canalisation d'arrivée d'eau froide.
  - Réaliser une connexion sans fuite sur le tube de cuivre de 1/4".
  - Consulter les codes locaux en vigueur au sujet du type de raccordement nécessaire.
  - Pour couper le tube de cuivre, utiliser un coupe-tube pour réaliser une coupe concentrique, sans bavures.

**REMARQUE :** Il est recommandé que la canalisation d'eau froide fournisse de l'eau douce.

### Raccordement à l'entrée du filtre à eau (jaune)

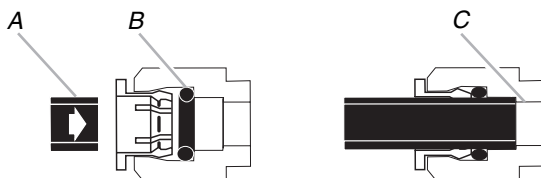
**REMARQUE :** Utiliser un raccord à connexion rapide (raccord droit et/ou coude) offrant la combinaison de dimensions appropriées pour la configuration d'installation.

- Installer le raccord fourni (3/8" à 1/4", droit ou coude, pour connexion rapide) sur le raccord d'entrée d'eau (jaune) du filtre; pousser le raccord au-delà du joint torique, jusqu'à la position de butée.



A. Raccord d'adaptation à connexion rapide (coude)  
B. Raccord d'adaptation à connexion rapide (droit)

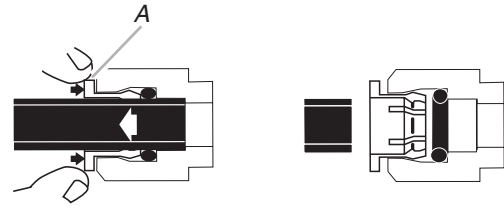
- Connecter le tube de cuivre (non fourni) entre le point de connexion sur la canalisation d'arrivée d'eau froide et le raccord à connexion rapide qui vient d'être installé à l'entrée du filtre (jaune).
- Tirer sur le tube pour vérifier la qualité de chaque connexion.



A. Tube d'alimentation, 1/4"  
B. Joint torique  
C. Butée

### S'il est nécessaire de relâcher le tube :

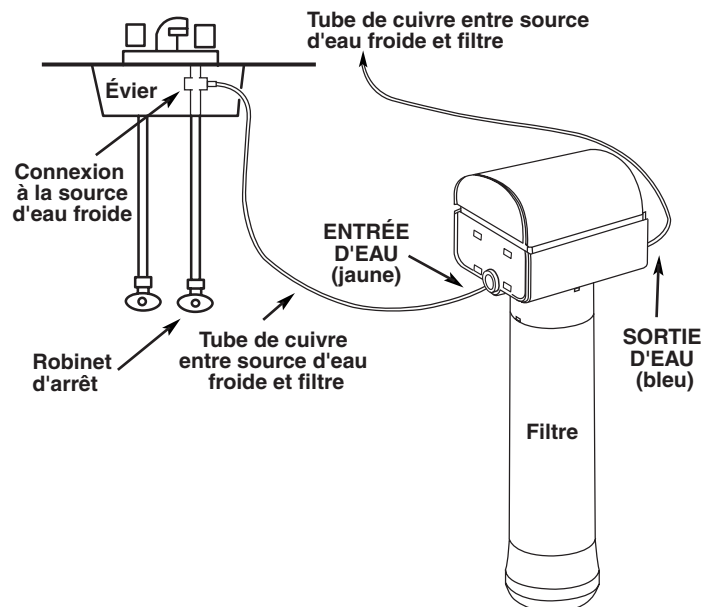
Enfoncer la virole pour pouvoir libérer le tube; alors que la virole est enfoncée, tirer sur le tube pour l'extraire.



A. Virole

### Raccordement à la sortie du filtre à eau (bleu)

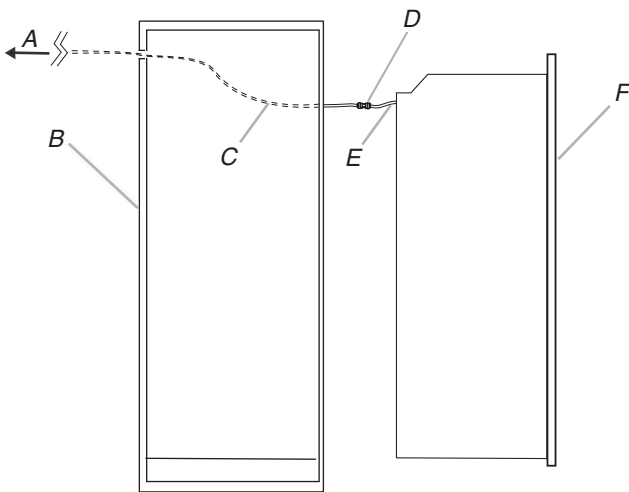
- Installer le raccord fourni (3/8" à 1/4", droit ou coude, pour connexion rapide) sur le raccord de sortie d'eau (bleu) du filtre; pousser le raccord jusqu'au-delà du joint torique, jusqu'à la position de butée.
- Raccorder une autre section de tube de cuivre sur le raccord à connexion rapide qui vient d'être installé à la sortie du filtre (bleu).
- Tirer sur le tube pour vérifier la qualité de la connexion.



- Acheminer le tube de cuivre jusqu'à l'ouverture d'insertion découpée dans la caisse du four à alimenter.

**REMARQUE :** L'emploi de tube de cuivre est nécessaire du fait de la température au voisinage du four.

- Raccorder le tube de cuivre au tube de cuivre sortant du four; utiliser un raccord droit de 1/4" à 1/4" (non fourni).



- A. Vers la canalisation d'eau froide de la résidence
- B. Arrière du placard
- C. Tube de cuivre pour l'alimentation du four à partir de la canalisation d'eau de la résidence
- D. Raccord droit ouvrable 1/4" à 1/4" (non fourni)
- E. Tube de cuivre provenant du four
- F. Façade du four

- Ouvrir la canalisation d'eau.
- Inspecter toutes les connexions pour rechercher d'éventuelles fuites.

**REMARQUE :** Aucun rinçage ou conditionnement du filtre à eau n'est nécessaire avant l'utilisation.

## Installation du four

### **AVERTISSEMENT**

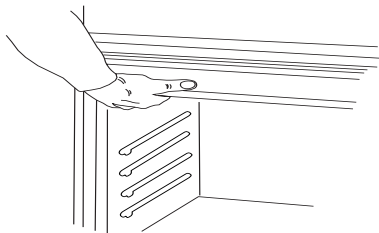
#### Risque du poids excessif

Utiliser deux ou plus de personnes pour déplacer et installer le four.

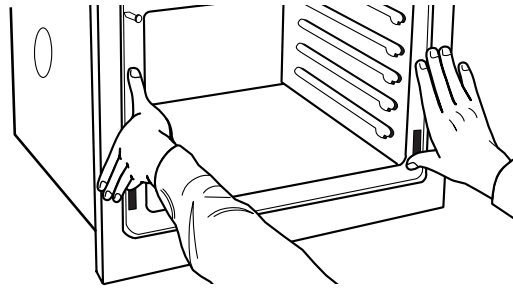
Le non-respect de cette instruction peut causer une blessure au dos ou d'autre blessure.

- À l'aide de 2 personnes ou plus, soulever partiellement le four pour l'introduire dans l'ouverture d'installation dans le placard; utiliser l'ouverture du four comme zone de prise.

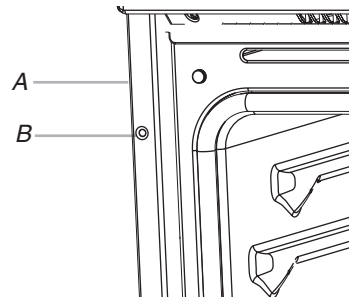
**REMARQUE :** Pousser le four pour l'introduire dans le placard en poussant contre la zone du joint du four sur le châssis avant. Ne pas pousser contre les bords externes.



- Pousser contre la zone du joint du châssis avant pour introduire le four dans le placard.



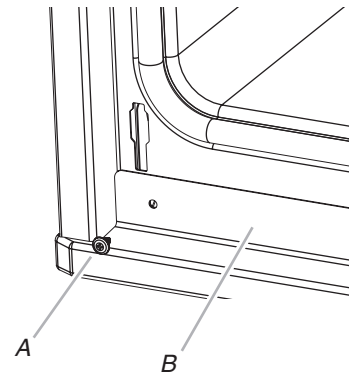
- Pousser complètement le four dans le placard; centrer le four dans la cavité du placard.
- Fixer solidement le four sur les éléments du placard avec les vis n° 8-14 x 1" fournies (2 pour un four simple, 4 pour un four double). Insérer les vis à travers les trous des rails de montage. Ne pas serrer excessivement les vis.



- A. Rail de montage
- B. Insérer la vis n° 8-14 x 1".

- Sur certains modèles, l'évent du four est immobilisé avec du ruban adhésif sur le côté du four.

Avec une vis n° 8-14 x 3/8" pour chaque côté de l'évent, fixer solidement l'évent au four.



- A. Vis n° 8-14 x 3/8"
- B. Évent du four

- Réinstaller les grilles du four.
- Réinstaller la(les) porte(s) du four - insérer les extrémités des charnières dans les ouvertures destinées à les recevoir sur le châssis du four.
- Enfoncer les charnières aussi loin qu'elles peuvent aller et ouvrir la porte du four. On doit percevoir le mouvement de mise en place de la porte du four.

9. Faire pivoter les deux charnières jusqu'à la position de verrouillage.
10. Effectuer quelques manœuvres d'ouverture/fermeture de la porte du four pour vérifier le bon fonctionnement. En cas d'impossibilité d'ouverture ou de fermeture parfaite de la porte, répéter le processus de dépose et d'installation de la porte. Voir la section "Dépose de la porte du four".
11. Reconnecter la source de courant électrique.
12. Le tableau d'affichage s'allumera brièvement et "PF" devrait s'afficher.
13. Si le tableau d'affichage ne s'allume pas, consulter la section "Assistance ou service" du Guide d'utilisation et d'entretien ou contacter le marchand qui vous a vendu le four.

## Achever l'installation

1. Vérifier que toutes les pièces sont maintenant installées. S'il reste une ou plusieurs pièces, passer en revue les différentes étapes pour découvrir laquelle aurait été oubliée.
2. Vérifier la présence de tous les outils.
3. Jeter/recycler tous les matériaux d'emballage.
4. Pour l'utilisation et le nettoyage du four, lire le Guide d'utilisation et d'entretien.

### Vérification du fonctionnement du four inférieur

1. Mettre l'appareil sous tension.
2. À partir du menu principal, appuyer sur la touche STEAM COOK (cuisson à la vapeur).
3. Appuyer sur la touche AUTO STEAM (vapeur auto).
4. Appuyer sur la touche VEGETABLES (légumes).
5. Appuyer sur la touche de mise en marche START, puis sur OK.

#### Si le four ne fonctionne pas, contrôler ce qui suit :

- Fusibles de la résidence intacts et bien serrés? Disjoncteur ouvert?
  - Prise de courant correctement alimentée?
  - Consulter la section "Dépannage" dans le Guide d'utilisation et d'entretien.
6. Après 10 à 15 minutes de fonctionnement du four, ouvrir la porte du four; contrôler la sortie de vapeur d'eau et l'émanation de chaleur.  
S'il n'y a pas de vapeur d'eau visible ou d'émanation de chaleur, ou si l'afficheur présente un code d'erreur ("F" suivi d'un chiffre plus "E" suivi d'un chiffre), commander l'arrêt du four et contacter un technicien qualifié.
  7. Appuyer sur la touche OFF (arrêt).

### Contrôle du fonctionnement du four à micro-ondes

1. Placer dans le four à micro-ondes un récipient contenant 1 tasse (250 mL) d'eau. Bien fermer la porte.
2. À partir du menu principal, sélectionner MANUAL METHOD (méthode manuelle).
3. Appuyer sur la touche MANUAL COOK (cuisson manuelle).
4. Sélectionner une période de chauffage de "2:00" minutes.
5. Appuyer sur la touche de mise en marche START.

#### Si le four à micro-ondes ne fonctionne pas, contrôler ce qui suit :

- Fusible de la résidence en bon état et bien serré? Disjoncteur ouvert?
- Circuit d'alimentation du four correctement alimenté?
- Consulter la section "Dépannage" dans le Guide d'utilisation et d'entretien.

Lorsque l'afficheur indique "1:00" minute, ouvrir la porte du four à micro-ondes; le fonctionnement du four à micro-ondes devrait s'interrompre. Bien fermer la porte; la lampe interne du four à micro-ondes devrait s'éteindre.

6. Appuyer sur la touche "Continue" pour poursuivre le programme de chauffage défini précédemment; le four à micro-ondes devrait recommencer à fonctionner et la lampe interne devrait être allumée.  
Laisser le four à micro-ondes exécuter la période de chauffage complète; un signal sonore sera émis à la fin de la période de chauffage, et le four à micro-ondes cessera de fonctionner.
7. Ouvrir la porte du four à micro-ondes et retirer doucement le récipient d'eau; l'eau devrait être chaude.

Pour le réglage de l'horloge et autres fonctions du four, consulter le Guide d'utilisation et d'entretien.

#### Si vous avez besoin d'assistance ou de service :

Consulter la section "Assistance ou service" du Guide d'utilisation et d'entretien, ou contacter le revendeur qui a vendu l'appareil.



## Free Manuals Download Website

<http://myh66.com>

<http://usermanuals.us>

<http://www.somanuals.com>

<http://www.4manuals.cc>

<http://www.manual-lib.com>

<http://www.404manual.com>

<http://www.luxmanual.com>

<http://aubethermostatmanual.com>

Golf course search by state

<http://golfingnear.com>

Email search by domain

<http://emailbydomain.com>

Auto manuals search

<http://auto.somanuals.com>

TV manuals search

<http://tv.somanuals.com>