

KitchenAid®

BUILT-IN CONVECTION MICROWAVE OVEN

Use & Care Guide

For questions about features, operation/performance, parts, accessories or service, call: 1-800-422-1230
or visit our website at www.kitchenaid.com

In Canada, for assistance, installation and service, call: 1-800-807-6777
or visit our website at www.KitchenAid.ca

FOUR MICRO-ONDES ENCASTRÉ - CUISSON PAR CONVECTION

Guide d'utilisation et d'entretien

Au Canada, pour assistance, installation ou service composez le 1-800-807-6777 ou visitez notre site web à...
www.KitchenAid.ca

Table of Contents/Table des matieres..... 2



Models/Modèles KBHS109B KBHS179B KEMS309B KEMS379B

W10354195B

TABLE OF CONTENTS

BUILT-IN MICROWAVE OVEN SAFETY	3
Electrical Requirements	4
PARTS AND FEATURES	5
Turntable	5
Convection Rack.....	5
Crisper Pan and Handle.....	5
Baking Tray	6
KITCHENAID™ Steamer Vessel	6
ELECTRONIC OVEN CONTROL	7
Display(s)	8
Number Codes	8
Start/Add 1 Minute.....	8
Control Lock.....	8
Microwave Oven Cancel.....	8
Clock	9
Tones.....	9
Tools.....	9
Fahrenheit and Celsius.....	9
Timer.....	9
BUILT-IN MICROWAVE OVEN USE	10
Food Characteristics	10
Cooking Guidelines	10
Cookware and Dinnerware	11
Aluminum Foil and Metal	11
Positioning Baking Tray	12
Microwave Cooking Power	12
Doneness	12
Sensor Cook.....	12
Manual Cooking	13
Crisper Pan Frying.....	13
Reheat	13
Defrost.....	14
Steam Cooking.....	15
Popcorn	16
Keeping Food Warm	16
Crisp	16
Soften/Melt.....	17
EasyConvect™ Conversion	18
BUILT-IN MICROWAVE OVEN CARE	19
General Cleaning	19
TROUBLESHOOTING	21
ASSISTANCE OR SERVICE	22
In the U.S.A.	22
Accessories	22
Replacement Parts and Accessories.....	22
In Canada	22
WARRANTY	23

TABLE OF CONTENTS

SÉCURITÉ DU FOUR À MICRO-ONDES ENCASTRÉ	25
Spécifications électriques	27
PIÈCES ET CARACTÉRISTIQUES	27
Plateau rotatif	27
Grille de convection.....	27
Poêle à croustiller et poignée.....	28
Plaque de cuisson	28
Cuiseur vapeur KITCHENAID™	28
COMMANDES ÉLECTRONIQUES DU FOUR	29
Affichage(s).....	30
Codes de chiffres	30
Start/Add 1 Minute (mise en marche/ajouter une minute).....	30
Verrouillage des commandes.....	30
Annulation du four à micro-ondes	30
Horloge	30
Signaux sonores.....	31
Outils.....	31
Fahrenheit et Celsius.....	31
Minuterie.....	31
UTILISATION DU FOUR À MICRO-ONDES ENCASTRÉ	32
Caractéristiques des aliments.....	32
Guide de cuisson.....	32
Ustensiles de cuisson et vaisselle.....	33
Papier d'aluminium et métal.....	33
Positionnement de la plaque de cuisson.....	33
Puissance de cuisson des micro-ondes.....	34
Degré de cuisson	34
Cuisson par détection	34
Cuisson manuelle	35
Plat à croustiller - pour frire.....	35
Réchauffage	35
Décongélation	37
Cuisson à la vapeur.....	38
Mais soufflé	39
Garder les aliments au chaud	39
Faire croustiller	39
Soften/Melt (ramollir/faire fondre)	40
Conversion EasyConvect™	41
ENTRETIEN DU FOUR À MICRO-ONDES ENCASTRÉ	42
Nettoyage général	42
DÉPANNAGE	43
ASSISTANCE OU SERVICE	45
Aux États-Unis.....	45
Accessoires	45
Pièces de rechange et accessoires	45
Au Canada	45
GARANTIE	46

BUILT-IN MICROWAVE OVEN SAFETY

Your safety and the safety of others are very important.

We have provided many important safety messages in this manual and on your appliance. Always read and obey all safety messages.



This is the safety alert symbol.

This symbol alerts you to potential hazards that can kill or hurt you and others.

All safety messages will follow the safety alert symbol and either the word "DANGER" or "WARNING."

These words mean:

⚠ DANGER

You can be killed or seriously injured if you don't immediately follow instructions.

⚠ WARNING

You can be killed or seriously injured if you don't follow instructions.

All safety messages will tell you what the potential hazard is, tell you how to reduce the chance of injury, and tell you what can happen if the instructions are not followed.

IMPORTANT SAFETY INSTRUCTIONS

When using electrical appliances basic safety precautions should be followed, including the following:

WARNING: To reduce the risk of burns, electric shock, fire, injury to persons, or exposure to excessive microwave energy:

- Read all instructions before using the microwave oven.
- Read and follow the specific "PRECAUTIONS TO AVOID POSSIBLE EXPOSURE TO EXCESSIVE MICROWAVE ENERGY" found in this section.
- The microwave oven must be grounded. Connect only to properly grounded outlet. See "GROUNDING INSTRUCTIONS" found in this section.
- Install or locate the microwave oven only in accordance with the provided Installation Instructions.
- Some products such as whole eggs in the shell and sealed containers – for example, closed glass jars – may explode and should not be heated in the microwave oven.
- Use the microwave oven only for its intended use as described in this manual. Do not use corrosive chemicals or vapors in the microwave oven. This type of oven is specifically designed to heat, cook, or dry food. It is not designed for industrial or laboratory use.
- Oversized foods or oversized metal utensils should not be inserted in the microwave oven as they may create a fire or risk of electric shock.
- Do not clean with metal scouring pads. Pieces can burn off the pad and touch electrical parts involving a risk of electric shock.
- Do not store any materials, other than manufacturer's recommended accessories, in this oven when not in use.
- Do not operate the microwave oven if it has a damaged cord or plug, if it is not working properly, or if it has been damaged or dropped.
- Do not deep fry in oven. Microwavable utensils are not suitable and it is difficult to maintain appropriate deep frying temperatures.
- Do not use paper products when appliance is operated in the "PAN BROWN" mode.
- Do not cover racks or any other part of the oven with metal foil. This will cause overheating of the oven.
- As with any appliance, close supervision is necessary when used by children.
- The microwave oven should be serviced only by qualified service personnel. Contact nearest authorized service company for examination, repair, or adjustment.
- Do not cover or block any openings on the microwave oven.

SAVE THESE INSTRUCTIONS

IMPORTANT SAFETY INSTRUCTIONS

- Liquids, such as water, coffee, or tea are able to be overheated beyond the boiling point without appearing to be boiling. Visible bubbling or boiling when the container is removed from the microwave oven is not always present. **THIS COULD RESULT IN VERY HOT LIQUIDS SUDDENLY BOILING OVER WHEN THE CONTAINER IS DISTURBED OR A SPOON OR OTHER UTENSIL IS INSERTED INTO THE LIQUID.**

To reduce the risk of injury to persons:

- Do not overheat the liquid.
- Stir the liquid both before and halfway through heating it.
- Do not use straight-sided containers with narrow necks.
- After heating, allow the container to stand in the microwave oven for a short time before removing the container.
- Use extreme care when inserting a spoon or other utensil into the container.

- Do not store the microwave oven outdoors. Do not use this product near water - for example, near a kitchen sink, in a wet basement, or near a swimming pool, and the like.
- See door surface cleaning instructions in the "Oven Care" section.
- To reduce the risk of fire in the oven cavity:
 - Do not overcook food. Carefully attend the microwave oven if paper, plastic, or other combustible materials are placed inside the oven to facilitate cooking.
 - Remove wire twist-ties from paper or plastic bags before placing bags in oven.
 - If materials inside the oven should ignite, keep oven door closed, turn oven off, and disconnect the power cord, or shut off power at the fuse or circuit breaker panel.
 - Do not use the cavity for storage purposes. Do not leave paper products, cooking utensils, or food in the cavity when not in use.

SAVE THESE INSTRUCTIONS

PRECAUTIONS TO AVOID POSSIBLE EXPOSURE TO EXCESSIVE MICROWAVE ENERGY

- (a) Do not attempt to operate this oven with the door open since open-door operation can result in harmful exposure to microwave energy. It is important not to defeat or tamper with the safety interlocks.
- (b) Do not place any object between the oven front face and the door or allow soil or cleaner residue to accumulate on sealing surfaces.
- (c) Do not operate the oven if it is damaged. It is particularly important that the oven door close properly and that there is no damage to the:
 - (1) Door (bent),
 - (2) Hinges and latches (broken or loosened),
 - (3) Door seals and sealing surfaces.
- (d) The oven should not be adjusted or repaired by anyone except properly qualified service personnel.

State of California Proposition 65 Warnings:

WARNING: This product contains one or more chemicals known to the State of California to cause cancer.

WARNING: This product contains one or more chemicals known to the State of California to cause birth defects or other reproductive harm.

Electrical Requirements

Observe all governing codes and ordinances. The microwave oven is connected to both 120-volt sides of the 208/240-volt circuit required for electrical connections. If the incoming voltage to the microwave oven is less than 120 volts, cooking times may be longer. Have a qualified electrician check your electrical system.

This device complies with Part 18 of the FCC Rules.

GROUNDING INSTRUCTIONS

For a permanently connected microwave oven:

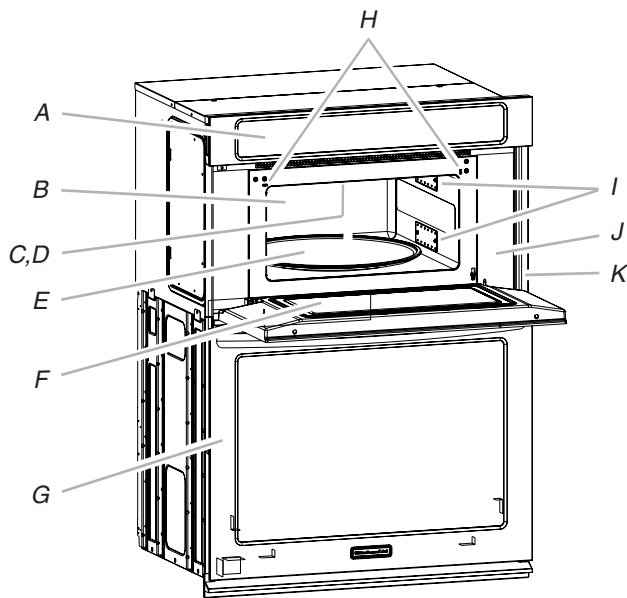
The microwave oven must be connected to a grounded, metallic, permanent wiring system, or an equipment grounding conductor should be run with the circuit conductors and connected to the equipment grounding terminal or lead on the microwave oven.

SAVE THESE INSTRUCTIONS

PARTS AND FEATURES

This manual covers different models. The microwave oven you have purchased may have some or all of the parts and features listed. The location and appearance of the features shown here may not match those of your model.

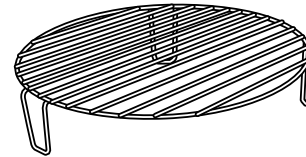
The raised, curved lines in the center of the turntable bottom fit between the 3 spokes of the hub. The hub turns the turntable during microwave oven use. The rollers on the support should fit inside the turntable bottom ridge.



- | | |
|--|--|
| A. Electronic oven control | I. Dual microwave emission |
| B. Convection element and fan
(hidden behind back panel) | J. Cooking guide label |
| C. Light (inaccessible, in ceiling) | K. Model and serial plate
(on right mounting rail,
single oven models) |
| D. Grill element (can be lowered) | |
| E. Turntable | |
| F. Metal shielded window | Parts and Features not shown |
| G. Lower oven (on combination
models, see separate Use and
Care Guide) | Steamer |
| H. Door safety lock system | Convection grid |
| | Crisper pan and handle |
| | Baking tray |

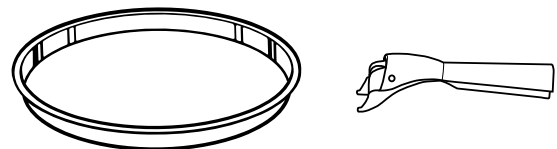
Convection Rack

The convection rack provides optimal heat circulation for convection cooking.



- The rack will become hot. Always use oven mitts or pot holders when handling.
- To avoid damage to the microwave oven, do not allow the rack to touch the inside cavity walls, ceiling or floor.
- Always use the turntable.
- To avoid damage to the microwave oven, do not store the rack in the microwave oven.
- Two-level cooking is not recommended.
- For best results, do not place popcorn bags on the rack.
- The rack is designed specifically for this microwave oven. For best cooking results, do not attempt to use any other rack in this microwave oven.
- See "Assistance or Service" section to reorder.

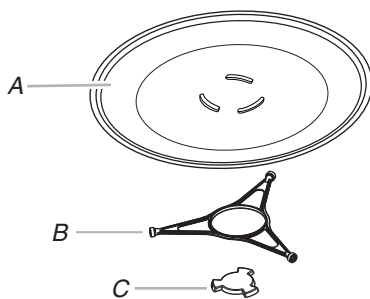
Crisper Pan and Handle



The crisper pan, with its nonstick surface and detachable handle, has been specifically designed for microwave use, and is ideal for pan-frying (pan-browning) foods in the microwave oven.

- The crisper pan will become hot. Always use the handle and oven mitts or pot holders when handling. Place gripping end on the edge of pan, squeeze handle, and lift pan.
- To avoid damage to the microwave oven, do not allow the crisper pan or handle to touch the inside cavity walls, ceiling or floor.
- Do not place crisper pan on the convection grid. Always use the turntable as a support for the crisper pan.
- To avoid damage to the microwave oven, do not use another metal object with the crisper pan.
- To avoid damage, do not place hot crisper pan directly on heat sensitive surfaces.
- The crisper pan is designed specifically for this microwave oven. Do not use it in any other oven.
- Use only wooden or plastic cooking utensils to help avoid scratches.
- See "Assistance or Service" section to reorder.

Turntable

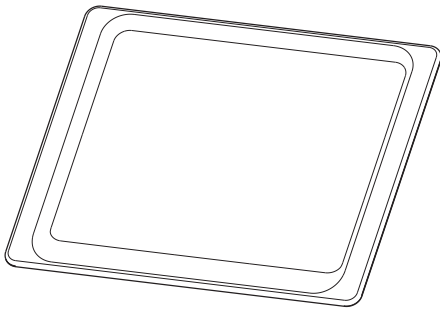


- A. Turntable
B. Support and rollers
C. Hub

The turntable rotates in both directions to help cook food more evenly. Do not operate the microwave oven without having the turntable in place. See "Assistance or Service" to reorder any of the parts.

NOTE: The turntable, microwave oven light, and cooling fan will continue to run until the microwave oven door is opened or CANCEL is touched.

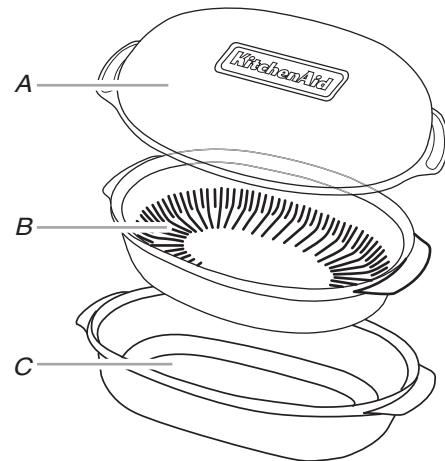
Baking Tray



- Baking Tray can be used only with convection cooking.
- To avoid damage to the microwave oven, do not use in combination with microwave cooking.
- Baking Tray will become hot. Always use oven mitts or pot holders when handling.
- See “Positioning Baking Tray” section before using.
- See “Assistance or Service” section to reorder.

KITCHENAID™ Steamer Vessel

Use the KITCHENAID™ Steamer Vessel with the Steam Cook feature to steam foods.



A. Lid
B. Insert
C. Base

- The steamer vessel will become hot. Always use oven mitts or pot holders when handling.
- Steamer vessel is designed to be used only in the microwave oven. To avoid damaging steamer vessel, do not use in a convectional- or combination-type oven, with any other convection or crisp function, or on electric or gas burners.
- Do not use plastic wrap or aluminum foil when covering the food.
- Always place the steamer on the glass turntable. Check that the turntable turns freely before starting the microwave oven.
- Do not remove lid while the bowl is inside the microwave oven, as the rush of steam will disrupt the sensor settings.
- To avoid scratching, use plastic utensils.
- Do not overfill with water. See steam chart in the “Steam Cooking” section for the amount of water recommended.

Lid: Always use the lid when steaming. Place directly over the insert and base or just the base.

Insert: Use when steam cooking to keep foods such as fish and vegetables out of the water. Place insert with food directly over the base. Do not use when simmering.

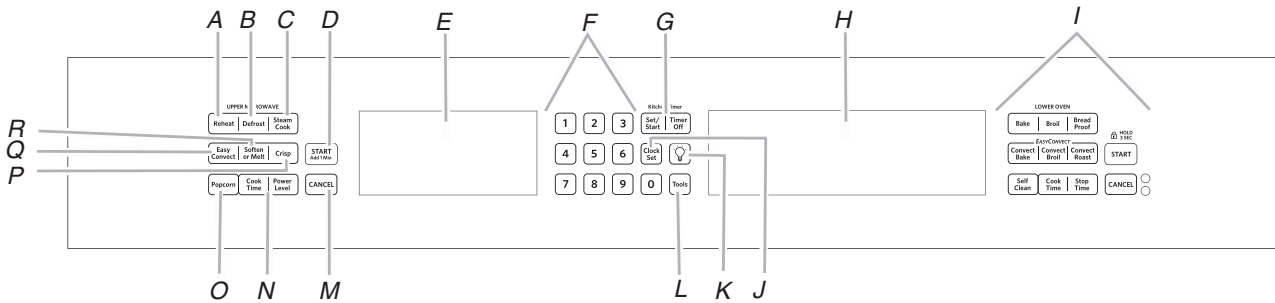
Base: For steam cooking, place water in base. For simmering foods such as rice, potatoes, pasta and vegetables, place food and water/liquid in base.

See “Assistance or Service” section to order replacements. See “General Cleaning” section for instructions on cleaning.

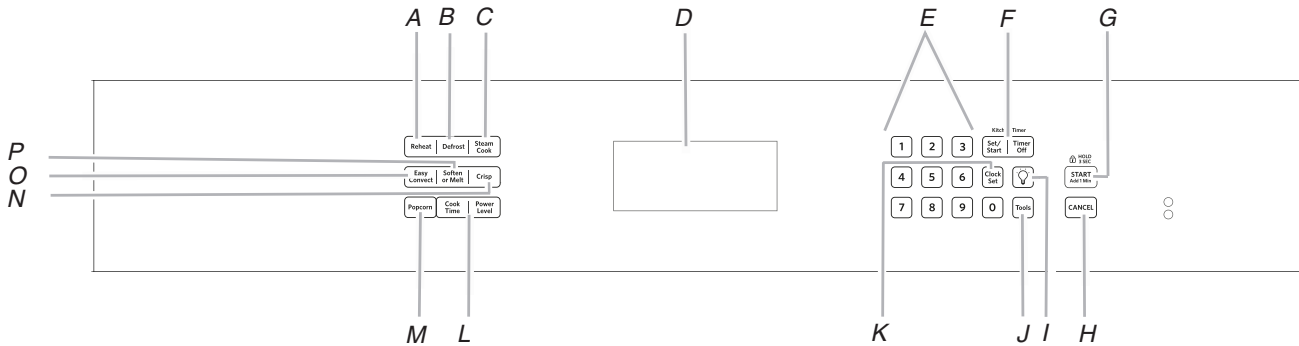
ELECTRONIC OVEN CONTROL

This manual covers different models. The oven you have purchased may have some or all of the items listed. The locations and appearances of the items shown here may not match those of your model.

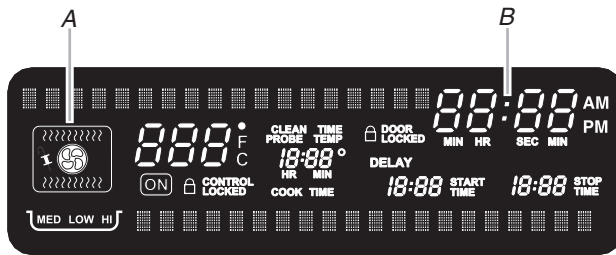
Combination Oven Models



- A. Reheat
- B. Defrost
- C. Steam cook
- D. Start/add 1 minute
- E. Microwave oven display
- F. Number keypads
- G. Set/start/timer off
- H. Lower oven display
- I. Lower oven controls (see separate Use and Care Guide)
- J. Clock set
- K. Oven light
- L. Tools
- M. Cancel
- N. Cook time/power level
- O. Popcorn
- P. Crisp
- Q. EasyConvect™
- R. Soften or melt

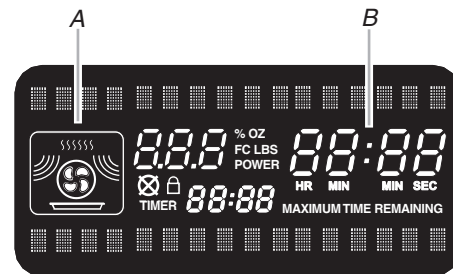


- A. Reheat
- B. Defrost
- C. Steam cook
- D. Microwave oven display
- E. Number keypads
- F. Set/start/timer off
- G. Start/add 1 min
- H. Cancel
- I. Oven light
- J. Tools
- K. Clock set
- L. Cook time/power level
- M. Popcorn
- N. Crisp
- O. EasyConvect™
- P. Soften or melt



Lower Oven Display (combination oven models)

- A. Oven cavity symbol
- B. Time of day/timer display



Upper Microwave Oven Display (combination oven models)

- A. Microwave cavity symbol
- B. Timer display

Microwave Oven Display (single oven models)

- A. Microwave cavity symbol
- B. Time of day/timer display

Display(s)

When power is first supplied to the oven, the timer display will flash "12:00," and "Clock-enter time" will appear on the display. Enter the time by pressing the number keypads. Then touch either CLOCK SET or START to allow operation. To allow operation without setting a time, touch CLOCK SET, START or CANCEL.

Lower Oven Display (combination oven models)

When the lower oven is in use, this display shows the oven temperature, heat source(s) and start time. In addition, during Timed Cooking, this display shows a time countdown and the stop time (if entered).

If "Err" appears on the lower oven display, an error condition has occurred. Call for service. See the "Assistance or Service" section.

When the lower oven is not in use, this display shows the time of day or Time countdown.

Upper Microwave Oven Display (combination oven models)

When the upper oven is in use, this display shows the upper oven heat source(s), cooking power, quantities, weights and/or help prompts and time countdown.

If "Err" appears on the upper oven display, an error condition has occurred. Call for service. See the "Assistance or Service" section.

When the upper oven is not in use, this display is blank.

Microwave Oven Display (single oven models)

When the microwave oven is in use, the display shows the heat source(s), cooking power, quantities, weight and/or help prompts and time countdown.

If "Err" appears on the display, an error condition has occurred. Call for service. See the "Assistance or Service" section.

Time of Day/Timer Display

When the microwave oven is not in use, the display shows the time of day or time countdown.

Number Codes

The oven is preset with shortcut number codes. A number code includes one or more of the following; food category, cooking power, cook time and food quantity or weight. See the code charts in the "Reheating," "Defrosting," "Steam," "Soften/Melt," and "EasyConvect™" sections for additional information.

Start/Add 1 Minute

The Start/Add 1 Min keypad controls 3 separate functions for the single built-in microwave: Start, Add 1 Minute and Control Lock.

Start

The Start/Add 1 Min keypad begins any upper or single oven cooking function once enough data has been entered and the door is closed.

After enough data has been entered and the door is closed, "Start?" will appear on the oven display as a reminder. If the Start keypad is not touched within 5 minutes after touching another keypad, the oven display will return to the inactive mode and the programmed function will be canceled.

If cooking is interrupted by opening the door, touching Start/Add 1 Min after the door is closed again will resume the preset cycle.

Add 1 Minute

Touching Start/Add 1 Min when the microwave oven is off will start 1 minute of cook time at 100% power. Touching Start/Add 1 Min while the microwave oven is operating will add cook time to the current cycle by 1 minute. Multiple minutes can be added by repeatedly touching Start/Add 1 Min.

Control Lock

The Control Lock shuts down the control panel keypads to avoid unintended use of the oven. The Control Lock will remain set after a power failure, if set before the power failure occurs.

When the control is locked, only the Set/Start, Oven Light, and Timer Off keypads will function.

The Control Lock is preset unlocked, but can be locked.

To Lock Control: Touch and hold START (on combination ovens only) or Start/Add 1 Min (on microwave ovens only) for approximately 3 seconds, until "Control Locked" appears on the lower text line and a lock icon appears in the display.

To Unlock Control: Repeat to unlock. "Control Unlocked" appears on the lower text line and the lock icon will be removed.

Microwave Oven Cancel

The Cancel keypad stops any microwave oven function except for the Clock, Timer and Control Lock.

The oven will also turn off when the door is opened. When the door is opened, the element(s) and fan will turn off, but the oven light will remain on. Close the door and touch START to resume the preset cycle (except for sensor cooking).

The oven cooling fan may continue to operate even after an oven function has been canceled or completed, depending on the oven temperature.

Clock

This is a 12-hour clock. Before setting, make sure the oven, Timer, and Timed Cooking are off.

To Set:

1. Touch CLOCK SET.
 2. Touch the number keypads to set the time of day.
 3. Touch CLOCK SET or START.
-

Tones

Tones are audible signals, indicating the following:

One beep

- Valid keypad touch
- Function has been entered

One chime

- Oven is preheated
- Preheat cycle has been completed

Three beeps

- Invalid keypad touch

Three chimes

- End of a cooking cycle

Four chimes

- When timer reaches zero
Includes using the Kitchen Timer for functions other than cooking.
-

Tone Volume

The volume is preset at low, but can be changed to high.

To Change: Touch TOOLS and then “3” to toggle volume between high and low settings.

All Tones

All tones are preset on, but can be turned off.

To Turn Off/On: Touch TOOLS and then “2” to toggle tones between On and Off settings.

NOTE: The Kitchen Timer is not affected by reminder tones.

End-of-Cycle and Reminder Tones

The Timed Cooking end-of-cycle and reminder tones are preset on, but can be turned off. If all tones have been turned off, the end-of-cycle and reminder tones cannot be independently turned on.

To Turn Tones Off/On: Touch TOOLS and then “4” to toggle tones between On and Off settings.

NOTE: The Kitchen Timer is not affected by these reminder tones.

Tools

(Microwave Oven Models)

The Tools selection keypad allows access to 7 hidden functions within the Electronic Oven Control. These hidden functions allow you to change the oven temperature between Fahrenheit and Celsius, turn the audible signals on and off, prompts, turn the turntable on and off, select the language, and select demo modes.

NOTE: This procedure is for dedicated microwave ovens only. Tools for combination ovens will appear on the oven display.

To Use:

1. Touch TOOLS. The oven display will scroll through the various options, starting at 1 and ending automatically at 7.
You can also touch the Tools keypad repeatedly to manually scroll through the list of options.
2. Touch the number keypad for the specific option to toggle the function setup. Use the following chart as a guide.

TOOLS CHART

TOOLS	HIDDEN FUNCTION
1	Fahrenheit and Celsius conversion
2	Sound On/Off
3	Sound High/Low
4	End tone On/Off
5	Turntable On/Off
6	Language
7	Demo mode

Fahrenheit and Celsius

The temperature is preset in Fahrenheit; however it can be changed to Celsius.

To Change: Touch OPTIONS and then “1” to toggle temperature between Fahrenheit and Celsius settings.

When the temperature is in Fahrenheit, “°F” follows the oven temperature.

When the temperature is in Celsius, “°C” follows the oven temperature.

Timer

The Timer can be set in minutes and seconds or hours and minutes and counts down the set time.

NOTE: The Timer does not start or stop the oven.

To Set:

1. Touch SET/START.
Touch again to switch between MIN/SEC and HR/MIN.
If no action is taken, the control will continue to wait for a length of time to be entered.
2. Touch the number keypads to set the length of time.
3. Touch SET/START.
If the keypad is not touched, the control will continue to wait for SET/START to be touched.
When the set time ends, 4 chimes will continuously repeat until the Timer Off keypad is touched.
If the Cancel keypad is touched, the oven will turn off; however, the Timer can only be turned off using the Timer Off keypad.

BUILT-IN MICROWAVE OVEN USE

A magnetron in the oven produces microwaves which reflect off the metal floor, walls and ceiling and pass through the turntable and appropriate cookware to the food. Microwaves are attracted to and absorbed by fat, sugar and water molecules in the food, causing them to move, producing friction and heat which cooks the food.

- To avoid damage to the microwave oven, do not lean on or allow children to swing on the microwave oven door.
- To avoid damage to the microwave oven, do not operate microwave oven when it is empty.
- The turntable must be in place and correct side up when microwave oven is in use. Do not use if turntable is chipped or broken. See "Assistance or Service" section to reorder.
- Baby bottles and baby food jars should not be heated in microwave oven.
- Clothes, flowers, fruit, herbs, wood, gourds, paper, including brown paper bags and newspaper, should not be dried in microwave oven.
- Paraffin wax will not melt in the microwave oven because it does not absorb microwaves.
- Use oven mitts or pot holders when removing containers from microwave oven.
- Do not overcook potatoes. At the end of the recommended cook time, potatoes should be slightly firm. Let potatoes stand for 5 minutes. They will finish cooking while standing.
- Do not cook or reheat whole eggs inside the shell. Steam buildup in whole eggs may cause them to burst. Cover poached eggs and allow a standing time.

Food Characteristics

When microwave cooking, the amount, size and shape, starting temperature, composition and density of the food affect cooking results.

Amount of Food

The more food heated at once, the longer the cook time needed. Check for doneness and add small increments of time if necessary.

Size and Shape

Smaller pieces of food will cook more quickly than larger pieces, and uniformly shaped foods cook more evenly than irregularly shaped food.

Starting Temperature

Room temperature foods will heat faster than refrigerated foods, and refrigerated foods will heat faster than frozen foods.

Composition and Density

Foods high in fat and sugar will reach a higher temperature, and will heat faster than other foods. Heavy, dense foods, such as meat and potatoes, require a longer cook time than the same size of a light, porous food, such as cake.

Cooking Guidelines

Covering

Covering food helps retain moisture, shorten cook time and reduce spattering. Use the lid supplied with cookware. If a lid is not available, wax paper, paper towels or plastic wrap approved for microwave ovens may be used. Plastic wrap should be turned back at one corner to provide an opening to vent steam. Condensation on the door and cavity surfaces is normal during heavy cooking.

Stirring and Turning

Stirring and turning redistribute heat evenly to avoid overcooking the outer edges of food. Stir from outside to center. If possible, turn food over from bottom to top.

Arranging

If heating irregularly shaped or different sized foods, arrange the thinner parts and smaller sized items toward the center. If cooking several items of the same size and shape, place them in a ring pattern, leaving the center of the ring empty.

Piercing

Before heating, use a fork or small knife to pierce or prick foods that have a skin or membrane, such as potatoes, egg yolks, chicken livers, hot dogs, and sausage. Prick in several places to allow steam to vent.

Shielding

Use small, flat pieces of aluminum foil to shield the thin pieces of irregularly shaped foods, bones and foods such as chicken wings, leg tips and fish tails. See "Aluminum Foil and Metal" first.

Standing Time

Food will continue to cook by the natural conduction of heat even after the microwave cooking cycle ends. The length of standing time depends on the volume and density of the food.

Turntable On/Off

For best performance, the turntable should be on during microwave cooking.

If using oversized cookware that does not turn freely on the turntable, turn the turntable off. Select turntable "Off" on the Option menu.

When microwave cooking with the turntable off, food should be turned halfway through the cooking process.

Cookware and Dinnerware

Cookware and dinnerware must fit on the turntable. Always use oven mitts or pot holders when handling because any dish may become hot from heat transferred from the food. Do not use cookware and dinnerware with gold or silver trim. Use the following chart as a guide, then test before using.

MATERIAL	RECOMMENDATIONS
Aluminum Foil, Metal	See "Aluminum Foil and Metal" section.
Browning Dish	Bottom must be at least 3/16" (5 mm) above the turntable. Follow manufacturer's recommendations.
Ceramic Glass, Glass	Acceptable for use.
China, Earthenware	Follow manufacturer's recommendations.
Melamine	Follow manufacturer's recommendations.
Paper: Towels, Dinnerware, Napkins	Use nonrecycled and those approved by the manufacturer for microwave oven use.
Plastic: Wraps, Bags, Covers, Dinnerware, Containers	Use those approved by the manufacturer for microwave oven use.
Pottery and Clay	Follow manufacturer's recommendations.
Silicone Bakeware	Follow manufacturer's recommendations.
Straw, Wicker, Wooden Containers	Do not use in microwave oven.
Styrofoam [†]	Do not use in microwave oven.
Wax Paper	Acceptable for use.

To Test Cookware or Dinnerware for Microwave Use:

1. Place cookware or dinnerware in microwave oven with 1 cup (250 mL) of water beside it.
2. Cook at 100% cooking power for 1 minute.

Do not use cookware or dinnerware if it becomes hot and the water stays cool.

Aluminum Foil and Metal

Always use oven mitts or pot holders when removing dishes from the microwave oven.

Aluminum foil and some metal can be used in the microwave oven. If not used properly, arcing (a blue flash of light) can occur and cause damage to the microwave oven.

OK for Use

Racks and bakeware supplied with the microwave oven (on some models), aluminum foil for shielding, and approved meat thermometers may be used with the following guidelines:

- To avoid damage to the microwave oven, do not allow aluminum foil or metal to touch the inside cavity walls, ceiling or floor.
 - Always use the turntable.
 - To avoid damage to the microwave oven, do not allow contact with another metal object during microwave cooking.
-

Do Not Use

Metal cookware and bakeware, gold, silver, pewter, non-approved meat thermometers, skewers, twist ties, foil liners such as sandwich wrappers, staples and objects with gold or silver trim or a metallic glaze should not be used in the microwave oven.

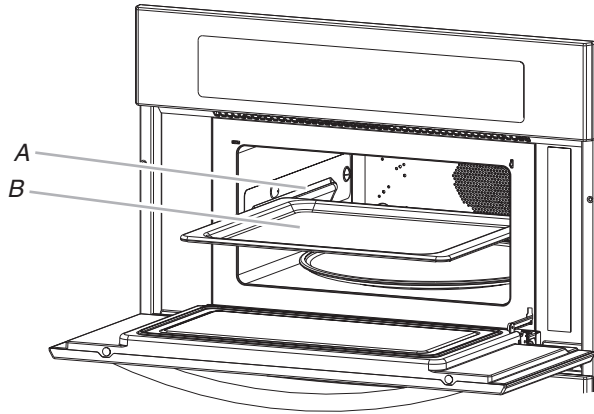
[†]®STYROFOAM is a Registered Trademark of The Dow Chemical Company.

Positioning Baking Tray

Baking tray can only be used with convection cooking and broiling (on some models). To avoid damage to the microwave oven, do not use baking tray in combination with microwave cooking.

Place baking tray on slide rails as shown below. Push in tray to stop position. Check that the baking tray is level.

For best cooking results, use baking tray only in the recommended position.



A. Slide rail
B. Baking tray

Microwave Cooking Power

Many recipes for microwave cooking specify which cooking power to use by percent, name or number. For example, 70%=7=Medium-High.

Use the following chart as a general guide for the suggested cooking power of specific foods.

MICROWAVE COOKING POWER CHART

PERCENT/NAME	NUMBER	USE
100%, High (default setting)	10	Quick heating convenience foods and foods with high water content, such as soups, beverages and most vegetables.
90%	9	Cooking small, tender pieces of meat, ground meat, poultry pieces and fish fillets. Heating cream soups.
80%	8	Heating rice, pasta or casseroles. Cooking and heating foods that need a cook power lower than high. For example, whole fish and meat loaf.
70%, Medium-High	7	Reheating a single serving of food.
60%	6	Cooking sensitive foods such as cheese and egg dishes, pudding and custards. Cooking non-stirrable casseroles, such as lasagna.
50%, Medium	5	Cooking ham, whole poultry and pot roasts. Simmering stews.

PERCENT/NAME	NUMBER	USE
40%	4	Melting chocolate. Heating bread, rolls and pastries.
30%, Medium-Low, Defrost	3	Defrosting bread, fish, meats, poultry and precooked foods.
20%	2	Softening butter, cheese, and ice cream.
10%, Low	1	Taking chill out of fruit.

NOTE: A percentage of 0% is also acceptable. This will not heat up.

To Set a Cooking Power other than 100%:

1. Touch the number keys to set a length of time to cook.
2. Touch POWER LEVEL.
3. Using the Microwave Cooking Power chart above, enter the corresponding number for the desired power level.
4. Touch START.

The display will count down the cook time.

When the stop time is reached, the oven will shut off automatically and the end screen will appear on the display.

If enabled, end-of-cycle tones will sound, then reminder tones will sound every minute.

5. Touch CANCEL or open the door to clear the display and/or stop reminder tones.

Doneness

Doneness is a function used for adjusting the cook time. This feature is used on all sensor and non-sensor functions with the exception of Manual Cooking, Popcorn, EasyConvect™, Custom Reheat (beverage-manual), Defrost (manual), and Steam (manual).

The 3 Doneness levels are Normal (default), More or Less and will appear once activated on the lower text line of the upper oven display. Doneness can be changed only before starting the cycle.

To Change Doneness Setting:

After setting a function, the Doneness setting can be changed if desired. This can be done before or after the "START?" prompt appears in the display. Touch the POWER LEVEL key repeatedly to toggle through Doneness options of Normal, More, or Less.

Sensor Cook

The Sensor Cook function is used in Reheat (meal), Steam Cooking, and Popcorn.

During the Sensor Cook function a sensor automatically adjusts for the cook time and power level.

The microwave oven display will show the "Maximum Time Remaining" prompt and the time countdown once the sensor identifies the cooking duration.

If the microwave oven door is opened during a sensor function the microwave oven will turn off, and any additional operations will be canceled.

For best cooking performance:

Before using a sensor cook function, make sure power has been supplied to the microwave oven for at least 2 minutes, the room temperature is not above 95°F (35°C), and the outside of the cooking container and the microwave oven cavity are dry.

Manual Cooking

To Use:

1. Touch COOK TIME and then number keypads to set a length of time to cook

OR

Touch the number keypads to set a length of time to cook. Time can be set up to 99 minutes and 99 seconds.

If using 100% cook power, skip to Step 3.

2. Touch POWER LEVEL then enter the desired power level. See the Microwave Cooking Power Chart in the "Microwave Cooking Power" section.

NOTE: Doneness function is not active for manual cooking.

3. Touch START.

The display will count down the cook time.

Touching Start/Add 1 Min while the microwave oven is operating will add cook time to the current cycle by 1 minute. Multiple minutes can be added by repeatedly touching Start/Add 1 Min.

When the stop time is reached, the oven will shut off automatically and "Cooking Complete" will appear on the oven display.

If enabled end-of-cycle tones will sound, then reminder tones will sound every minute.

4. Touch CANCEL or open the door to clear the display and/or stop reminder tones.

Crisper Pan Frying

When the crisper pan is used with microwaves, it is like a frying pan or griddle, ideal for French toast, burgers, eggs, stir-frying and sautéing.

Before using, see "Crisper Pan and Handle" section and the Crisper Pan Frying Chart.

Always use the turntable "On" option when using the crisper pan (default setting).

Before Use:

Preheat pan for 3 minutes on 100% power. Use 100% power for cooking.

Before crisper pan frying, brush crisper pan with ½ tsp (3 mL) of oil or spray with nonstick cooking spray. Arrange food on crisper pan. Place pan on turntable.

To Use:

1. Touch COOK TIME and then number keypads to set a length of time to cook

OR

Touch the number keypads to set a length of time to cook.

NOTE: Doneness function is not active for manual cooking.

2. Touch START.

The display will count down the cook time.

When the stop time is reached, the oven will shut off automatically and "Cooking Complete" will appear on the oven display.

If enabled, end-of-cycle tones will sound, then reminder tones will sound every minute.

3. Touch CANCEL or open the door to clear the display and/or stop reminder tones.

Use the following chart as a guide.

CRISPER PAN FRYING CHART

FOOD	COOK TIME*	INSTRUCTIONS
Eggs, Fried 2 eggs	Side 1: 30-45 sec Side 2: 30-45 sec	Times are for over-easy doneness.
4 eggs	Side 1: 1 min Side 2: 45 sec	
Omelet 4 eggs	2-3 min	Mix eggs and 4 tbs of water.
Sausage Patties 1.5 oz (42.5 g) each 4 patties	Side 1: 2 min Side 2: 1 min 30 sec	Cook until 160°F (70°C)
8 patties	Side 1: 3 min Side 2: 2 min 30 sec	
Vegetables, stir-fry, 2 cups (500 mL)	4-5 min	Cut vegetables in equal sizes. Stir halfway through cooking.
Nuts 1 cup (250 mL) 2 cups (500 mL)	3 min 4 min	Stir halfway through cooking.

*Times are approximate and may be adjusted for individual tastes.

Reheat

Times and cooking powers have been preset for reheating a number of food types.

Manual Reheat requires that a cook time and a power level be entered if using other than 70% cook power.

Use the following chart as a guide.

REHEAT CHART

FOOD	CODE	QUANTITY
Meal Place food on plate. Cover with plastic wrap and vent. Let stand 2-3 minutes after reheating.	1	8-16 oz (227-454 g)
Casserole Place in microwave-safe container. Cover with plastic wrap and vent. Stir and let stand 2-3 minutes after reheating.	2	1-4 cups (250 mL-1 L)
Beverage Do not cover.	3	1-4 cups (250 mL-1 L)
Pizza Place on a paper towel lined microwave-safe plate.	4	1-3 slices [3 oz (85 g) each]
Soup Place in microwave-safe container. Cover with plastic wrap and vent. Stir and let stand 2-3 minutes after reheating.	5	1-4 cups (250 mL-1 L)

FOOD	CODE	QUANTITY
Sauce Place in microwave-safe container. Cover with plastic wrap and vent. Stir and let stand 2-3 minutes after reheating.	6	1-2 cups (250 mL-500 mL)
Manual	7	Default power level 70%

To Reheat:

1. Touch REHEAT.
Touch number keypad to select food type from the Reheat Chart
- OR**
- Touch REHEAT repeatedly to scan and select food settings. For example, to select the Casserole setting, REHEAT must be touched twice.
2. Touch number keypads to enter quantity (slices or cups).
To change the doneness setting, touch the Power level keypad before or after the "Start?" prompt is displayed to toggle through and select a doneness of Normal, More, or Less.
 3. Touch START.
When the stop time is reached, the oven will shut off automatically and "reheat complete" will appear on the oven display.
If enabled, end-of-cycle tones will sound, then reminder tones will sound every minute.
 4. Touch CANCEL or open the door to clear the display and/or stop reminder tones.

To Manual Reheat:

1. Touch REHEAT.
 2. Touch number keypad "7"
- OR**
- Touch REHEAT repeatedly to scan to the Manual setting.
If using 70% cook power, skip to Step 4.
3. Touch POWER LEVEL then enter the desired power level. See the Cooking Power Chart.
 4. Touch COOK TIME.
 5. Touch the number keypad to set a length of time to cook. Time can be set up to 99 minutes and 99 seconds.
NOTE: Doneness function is not active for manual reheating.
 6. Touch START. The upper oven display will count down the reheat time.
When the stop time is reached, the oven will shut off automatically and "Reheat Complete" will appear on the oven display.
If enabled, end-of-cycle tones will sound, then reminder tones will sound every minute.
 7. Touch CANCEL or open the door to clear the display and/or stop reminder tones.

To Reheat Beverage:

1. Touch REHEAT.
 2. Touch number keypad "3"
- OR**
- Touch REHEAT repeatedly to scan and select the Beverage setting.
3. Touch number keypad to enter cups quantity.
 4. Touch number keypads 1 through 3 to select Warm, Hot, Very Hot
- OR**
- Touch REHEAT repeatedly to scan and select temperature setting.
- NOTE:** Doneness function not active for reheating beverages.
5. Touch START.
The upper oven display will count down the reheat time.
When the stop time is reached, the oven will shut off automatically and "Reheat Complete" will appear on the oven display.
If enabled, end-of-cycle tones will sound, then reminder tones will sound every minute.
IMPORTANT: Heated liquids can splash out during and after heating. A wooden stir stick placed in the cup or bowl during heating may help avoid this.
 6. Touch CANCEL or open the door to clear the display and/or stop reminder tones.

Defrost

The Defrost feature can be used, or the microwave oven can be manually set to defrost by using 30% cook power.

- For optimal results, food should be 0°F (-18°C) or colder when defrosting.
- Unwrap foods and remove lids (from fruit juice) before defrosting.
- Shallow packages will defrost more quickly than deep blocks.
- Separate food pieces as soon as possible during or at the end of the cycle for more even defrosting.
- Foods left outside the freezer for more than 20 minutes or frozen ready-made food should not be defrosted using the Defrost feature, but should be defrosted manually.
- Use small pieces of aluminum foil to shield parts of food such as chicken wings, leg tips and fish tails. See "Aluminum Foil and Metal" first.
- Times and cooking powers have been preset for defrosting a number of food types.
- Manual Defrost requires that a cook time and power level be entered if using other than 30% cook power.

Use the following chart as a guide.

DEFROST CHART

FOOD	CODE	WEIGHT
Poultry*	1	0.1 - 6.6 lbs (45 g - 3 kg)
Meats*	2	0.1 - 6.6 lbs (45 g - 3 kg)
Fish*	3	0.1 - 6.6 lbs (45 g - 3 kg)
Bread	4	0.1 - 2.0 lbs (45 g - 907 g)
Juice	5	6, 12 or 16 oz (177, 355 or 473 mL)
Manual	6	Default power level 30%

*See the Defrost Preparation Chart at end of "Defrost" section for cuts, sizes, and instructions.

To Defrost:

1. Touch DEFROST.
2. Touch the number keypad from the Defrost Chart to select food

OR

Touch DEFROST repeatedly to scroll through foods. For example, to select the Meats setting, DEFROST must be touched twice.

3. Touch number keypads to enter the weight.
To change the doneness setting, touch the Power Level keypad before or after the "Start?" prompt is displayed to toggle through and select a doneness of Normal, More, or Less.
4. Touch START.
The upper oven display will count down the defrost time. For better results, a preset standing time is included in the defrosting time. This may make the defrosting time seem longer than expected.

When the stop time is reached, the oven will shut off automatically and "Defrost Complete" will appear in the display.

If enabled end-of-cycle tones will sound, then reminder tones will sound every minute.

5. Touch CANCEL or open the door to clear the display and/or stop reminder tones.

To Manual Defrost:

1. Touch DEFROST.
2. Touch number keypad "6"

OR

Touch DEFROST repeatedly to scan to the Manual setting.

If using 30% cook power, skip to Step 3.

3. Touch POWER LEVEL then enter the desired power level. See Cooking Power Chart.
4. Touch COOK TIME.
5. Touch the number keypads to set a length of time to defrost. Time can be set up to 99 minutes and 99 seconds.

NOTE: Doneness function is not active for manual defrosting.

6. Touch START. The upper oven display will count down the defrost time.
When the stop time is reached, the oven will shut off automatically and "Defrost Complete" will appear on the oven display.
If enabled end-of-cycle tones will sound, then reminder tones will sound every minute.
7. Touch CANCEL or open the door to clear the display and/or stop reminder tones.

Use the following chart as a guide when defrosting meat, poultry, or fish.

DEFROST PREPARATION CHART

MEAT

<i>Beef:</i> ground, steaks, roast, stew	The narrow or fatty areas of irregular shaped cuts should be shielded with foil before defrosting.
<i>Lamb:</i> stew and chops	
<i>Pork:</i> chops, ribs, roasts, sausage	Do not defrost less than ¼ lb (113 g) or two 4 oz (113 g) patties. Place all meats in microwave-safe baking dish.

POULTRY

<i>Chicken:</i> whole and cut up	Place in microwave-safe baking dish, chicken breast side up.
<i>Cornish hens</i>	
<i>Turkey:</i> breast	Remove giblets from whole chicken.

FISH

<i>Fillets, Steaks, Whole, Shellfish</i>	Place in microwave-safe baking dish.
--	--------------------------------------

Steam Cooking

Steam Cook is a sensor cooking function that uses microwaves to steam food. Always use steamer vessel. See the "KitchenAid™ Steamer Vessel" section before using. Use Steam Cook for foods such as vegetables, fish and potatoes.

- Times and cooking powers have been preset for steaming a number of food types.
- Manual Steam Cook requires that a cook time be entered.
- It is recommended to add ½ cup (125 mL) of water to Steamer Vessel before steaming.

Use the following chart as a guide.

STEAM COOKING CHART

FOOD	CODE	QUANTITY
Potatoes	1	2-6 cups (500 mL-1.5 L)
Fresh vegetables	2	2-6 cups (500 mL-1.5 L)
Frozen vegetables	3	2-6 cups (500 mL-1.5 L)
Fish	4	8-16 oz (227-454 g)
Shrimp	5	5-10 oz (142-283 g)
Manual	6	Sensing

To Steam Cook:

1. Touch STEAM COOK.
2. Touch the number keypad to select a food type from the Steam Cooking Chart

OR

Touch STEAM COOK repeatedly to scan and select food type. For example, to select the Fresh Vegetables setting, Steam Cook must be touched twice.

To change the doneness setting, touch the Power keypad before or after the "Start?" prompt is displayed to toggle through and select a doneness of Normal, More, or Less.

3. Touch START. The upper oven display will count down the steam time once the sensor identifies the cooking duration.

When the steam time has ended, the oven will shut off automatically and "Steam Complete" will appear in the display.

If enabled, end-of-cycle tones will sound, then reminder tones will sound every minute.

4. Touch CANCEL or open the door to clear the display and/or stop reminder tones.

To Manual Steam Cook:

1. Touch STEAM COOK.
2. Touch the number keypad "6"

OR

Touch STEAM COOK repeatedly to scan and select the Manual steam setting.

3. Touch the number keypads to set a length of time to steam. Time can be set up to 99 minutes and 99 seconds.

NOTE: Doneness function is not active for manual steam cooking.

4. Touch START.

Once the boiling point is reached the upper oven display will start to count down the steam time.

When the stop time is reached, the oven will shut off automatically and "Steam Complete" will appear in the display.

If enabled, end-of-cycle tones will sound, then reminder tones will sound every minute.

5. Touch CANCEL or open the door to clear the display and/or stop reminder tones.

Popcorn

- Do not use regular paper bags or glassware.
- Pop only 1 package of popcorn at a time.
- Follow manufacturer's instructions when using a microwave popcorn popper.
- Listen for popping to slow to 1 pop every 1 or 2 seconds, then stop the cycle. Do not repop unpopped kernels.
- For best results, use fresh bags of popcorn.
- Cooking results may vary by brand and fat content.
- Recommended bag sizes are 3.5 oz, 3.0 oz, and 1.75 oz.

NOTE: Follow the instructions provided by the microwave popcorn manufacturer.

To Pop Popcorn:

1. Touch POPCORN.

NOTE: Doneness function is not active for popcorn setting.

2. Touch START.

When the stop time is reached, the oven will shut off automatically and "Cooking Complete" will appear in the display.

If enabled, end-of-cycle tones will sound, then reminder tones will sound every minute.

3. Touch CANCEL or open the door to clear the display and/or stop reminder tones.

Keeping Food Warm

⚠ WARNING

Food Poisoning Hazard

Do not let food sit in oven more than one hour before or after cooking.

Doing so can result in food poisoning or sickness.

Hot cooked food can be kept warm in the microwave oven.

- Cover plates of food.
- Cover foods that were covered while being cooked.
- Do not cover baked goods such as pastries, pies, turnovers, etc.

To Keep Food Warm:

1. Touch COOK TIME and then number keypads to set a length of time to warm

OR

Touch the number keypads to set a length of time to warm.

2. Touch POWER LEVEL.
3. Touch number keypad "1" to set cook power at 10%.

NOTE: Doneness function is not active for manual cooking.

4. Touch START.

The display will count down the warming time.

When the stop time is reached, the oven will shut off automatically and "Cooking Complete" will appear in the display.

If enabled, end-of-cycle tones will sound, then reminder tones will sound every minute.

5. Touch CANCEL or open the door to clear the display and/or stop the reminder tones.

Crisp

The Crisp feature uses the broil element and microwaves to crisp and brown foods. Crisp can be used to saute meats and vegetables, pan-fry bacon and eggs, and to crisp and brown pizza and french fries. Always use the crisper pan. See the "Crisper Pan and Handle" section before using.

- The crisper pan will become very hot. Use oven mitts or detachable handle to grasp and remove the pan from the oven.
- Do not place hot crisper pan directly on heat-sensitive surfaces. Damage may occur.
- Do not use plastic utensils on the crisper pan, as it becomes very hot quickly and could melt the utensils.

- Do not use metal utensils, as they can scratch the pan.
- Do not use the crisper pan in any other microwave oven or in a standard thermal oven.
- Do not place the crisper pan on the convection rack or the baking tray. Always use the turntable as a support for the pan.
- Always use the turntable “On” option when crisping (default setting).

To Crisp:

Before Crisping, brush crisper pan with ½ tsp (3 mL) of oil or spray with nonstick cooking spray. For best results, the crisper pan should be preheated for 3 minutes. Arrange food on crisper pan, and place pan on turntable.

1. Touch CRISP.

The “Use Crisp Pan” prompt will appear momentarily in the display as a reminder to use the crisp pan.

2. Touch the number keypads to enter a length of time to cook in minutes and seconds. The time can be set up to 99 minutes and 99 seconds.

3. Touch START.

The upper oven display will count down the crisp time.

When the stop time is reached, the oven will shut off automatically and “Cooking Complete” will appear in the display.

If enabled, end-of-cycle tones will sound, then reminder tones will sound every minute.

4. Touch CANCEL or open the door to clear the display and/or stop the reminder tones.

Use the following chart as a guide.

CRISPING CHART

FOOD	COOK TIME (MINUTES)*	PREPARATION
Bacon, 4 strips	Side 1: 3:00 Side 2: 1:45	Place in crisper pan in a single layer
Frozen french fries, 2 servings	Side 1: 5:00 Side 2: 2:00	Place in crisper pan in a single layer
Boneless chicken breasts, 2 pieces	Side 1: 4:00 Side 2: 3:00	5-6 oz (142-170 g) each
Hamburger patties, 2	Side 1: 3:30 Side 2: 2:00	4 oz (113 g) each, ½" (1.3 cm) thick
Frozen thin crust pizza	8:00-9:00	

*Times are approximate and may be adjusted for individual tastes.

Soften/Melt

Soften and Melt functions may be used to soften or melt your food. Times and cooking powers have been preset for a number of food types. Use the following chart as a guide.

SOFTEN CHART

FOOD	CODE	QUANTITY	PREPARATION
Butter	1	½-2 sticks	Unwrap and place in microwave-safe container.
Margarine	2	½-2 sticks	Unwrap and place in microwave-safe container.
Ice cream	3	16, 32, or 64 oz (454, 907 g, or 1.8 kg)	
Cream cheese	4	3 or 8 oz (85 g or 227 g)	Unwrap and place in microwave-safe container.

To Soften:

1. Touch SOFTEN OR MELT.

2. Touch number keypad “2” to select Soften function

OR

Touch SOFTEN OR MELT repeatedly to scan and select Soften.

3. Touch number keypad to select food type from the Soften Chart

OR

Touch SOFTEN OR MELT repeatedly to scan and select food settings.

4. Touch number keypads to enter quantity (weight or sticks).

To change the doneness setting, touch the Power keypad before or after the “Start?” prompt is displayed to toggle through and select a doneness of Normal, More, or Less.

5. Touch START.

The upper oven display will count down the soften time.

When the stop time is reached, the oven will shut off automatically and “Soften Complete” will appear in the display.

If enabled, end-of-cycle tones will sound, then reminder tones will sound every minute.

6. Touch CANCEL or open the door to clear the display and/or stop reminder tones.

Use the following chart as a guide.

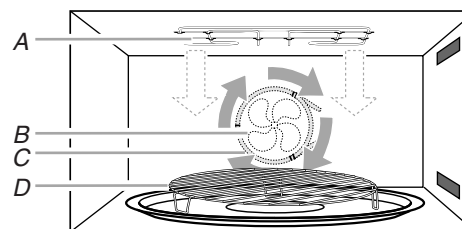
MELT CHART

FOOD	CODE	QUANTITY	PREPARATION
Butter	1	½-2 sticks	Unwrap and place in microwave-safe container.
Margarine	2	½-2 sticks	
Chocolate	3	2, 4, 6, 8 oz (57, 113, 170, 227 g)	Cut squares into small pieces or use chips. Place in microwave-safe container.
Cheese	4	8 or 16 oz (227 or 454 g)	Cut into small pieces and place in microwave-safe container.
Marshmallows	5	5 or 10 oz (142 or 283 g)	Place in microwave-safe container.

To Melt:

1. Touch SOFTEN OR MELT.
2. Touch number keypad “1” to select Melt function
OR
Touch SOFTEN OR MELT repeatedly to scan and select Melt.
3. Touch number keypad to select food type from the Melt Chart
OR
Touch SOFTEN OR MELT repeatedly to scan and select food settings.
4. Touch number keypads to enter quantity (weight or sticks).
To change the doneness setting, touch the Power keypad before or after the “Start?” prompt is displayed to toggle through and select a doneness of Normal, More, or Less.
5. Touch START.
The upper oven display will count down the melt time.
When the stop time is reached, the oven will shut off automatically and “Melt Complete” will appear in the display.
If enabled, end-of-cycle tones will sound, then reminder tones will sound every minute.
6. Touch CANCEL or open the door to clear the display and/or stop reminder tones.

EasyConvect™ Conversion



- A. Broil element
- B. Convection fan
- C. Convection element
- D. Convection grid

Convection cooking uses the convection element, the broil element and the fan. Hot air is circulated throughout the oven cavity by the fan. The constantly moving air surrounds the food to heat the outer portion quickly.

- The convect function may be used to cook small amounts of food on a single rack.
- Always use the convection grid placed on turntable or baking tray.
- Always use the turntable “On” option when convection cooking with the convection grid (default setting).
- Do not cover turntable or convection grid or baking tray with aluminum foil.
- Do not use light plastic containers, plastic wrap or paper products. All heatproof cookware or metal utensils can be used in convection cooking. Round pizza pans are excellent for convection cooking.
- Use convection cooking for items such as souffles, breads, cookies, angel food cakes, pizza, and most meats and fish.
- All EasyConvect™ functions require preheating before use. Place food in microwave oven after preheating is complete.

EasyConvect™ Conversion is a function that converts a standard thermal bake cook time and temperature into an ideal cook time and temperature for convection cooking after the oven has preheated.

Convection temperatures and times differ from those of standard cooking. The oven can automatically reduce standard recipe temperatures and times for convection cooking.

The conversion may not be exact because foods are grouped in general categories. Use the following chart as a guide.

CONVECTION CHART

SETTING	FOODS	CODE
BAKED GOODS	Biscuits, Breads: quick and yeast	1
	Cakes and Cookies	
	Casseroles: including frozen entrées and soufflés	
	Fish	
MEATS	Baked potatoes	2
	Chicken: whole and pieces, Meat loaf	
	Roasts: pork, beef and ham	
	*Turkey and large poultry are not included because their cook times vary.	
OTHER FOODS	Convenience foods: french fries, nuggets, fish sticks, pizza	3
	Pies: fruit and custard	

To Use:

1. Position convection grid on turntable in microwave oven or place baking tray on slide rails and close the door.
2. Touch EASYCONVECT™ function.
3. Touch number keypad to select food category from the Convection Chart

OR

Touch EASYCONVECT™ function repeatedly to scan and select food category. For example, to select the Meats setting, EasyConvect™ must be touched twice.

4. Touch the number keypads to set a standard temperature. Temperature can be set between 170°F and 450°F (77°C and 232°C).
5. Touch the number keypads to set a length of standard time to cook. Time can be set up to 11 hours and 59 minutes.
NOTE: Doneness function not active for EasyConvect™.
6. Touch START. “Preheating” and “Lo” will appear on the upper oven display. Once the temperature reaches 170°F (77°C), “Lo” will be replaced by the increasing temperature. Time and temperature will be automatically converted for convection cooking.
When preheating is complete 2 tones will sound and the display will show the set temperature and “Insert Food” prompt.
7. Place food or bakeware on convection grid or on baking tray and close the door.
8. Touch START. The upper oven display will count down the cook time and show temperature for convection cooking.
When the stop time is reached, the oven will shut off automatically and “Cooking Complete” will appear on the oven display.
If enabled, end-of-cycle tones will sound, then reminder tones will sound every minute.
9. Touch CANCEL or open the door to clear the display and/or stop reminder tones.

BUILT-IN MICROWAVE OVEN CARE

General Cleaning

IMPORTANT: Before cleaning, make sure all controls are off and the microwave oven is cool. Always follow label instructions on cleaning products.

Soap, water and a soft cloth or sponge are suggested first unless otherwise noted.

STAINLESS STEEL (on some models)

NOTE: To avoid damage to stainless steel surfaces, do not use soap-filled scouring pads, abrasive cleaners, Cooktop Polishing Creme, steel-wool pads, gritty washcloths or abrasive paper towels. Damage may occur to stainless steel surfaces, even with one-time or limited use.

Rub in direction of grain to avoid damaging.

Cleaning Method:

- affresh® Stainless Steel Cleaner Part Number W10355016 (not included): See “Assistance or Service” section to order.
- Liquid detergent or all-purpose cleaner: Rinse with clean water and dry with soft, lint-free cloth.
- Vinegar for hard water spots.

MICROWAVE OVEN DOOR EXTERIOR

Cleaning Method:

- Glass cleaner and a soft cloth or sponge: Apply glass cleaner to soft cloth or sponge, not directly on panel.
- affresh® Kitchen Appliance Cleaner Part Number W10355010 (not included): See “Assistance or Service” section to order.

MICROWAVE OVEN CAVITY

To avoid damage to microwave oven cavity, do not use soap-filled scouring pads, abrasive cleaners, steel-wool pads, gritty washcloths or some paper towels.

On stainless steel models, rub in direction of grain to avoid damaging.

The area where the oven door and frame touch when closed should be kept clean.

Cleaning Method:

Average soil

- Mild, nonabrasive soaps and detergents: Rinse with clean water and dry with soft, lint-free cloth.

Heavy soil

- Mild, nonabrasive soaps and detergents:
Heat 1 cup (250 mL) of water for 2 to 5 minutes in oven. Steam will soften soil. Rinse with clean water and dry with soft, lint-free cloth.

Odors

- Lemon juice or vinegar:
Heat 1 cup (250 mL) of water with 1 tbs (15 mL) of either lemon juice or vinegar for 2 to 5 minutes in oven.

MICROWAVE OVEN CEILING

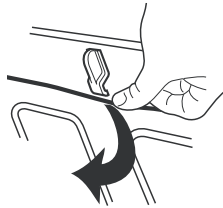
The broil element does not need cleaning since the intense heat will burn off any food spatters. However, the ceiling above the broil element may need regular cleaning.

Cleaning Method:

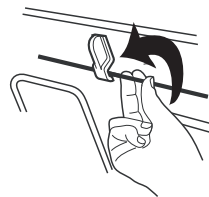
- Warm water, mild detergent and a sponge.

To clean:

1. Push the fastening thread gently towards the back of the ceiling and then lower it to release the broil element.



2. Lower the front of the broil element to access the ceiling for cleaning.
3. Raise broil element back up and return the fastening thread back to its original location.



Always return the broil element to the cooking position after cleaning.

TURNTABLE

Replace turntable immediately after cleaning. Do not operate the microwave oven without the turntable in place.

Cleaning Method:

- Mild cleanser and scouring pad
- Dishwasher

RACK

- Steel-wool pad
- Dishwasher

CRISPER PAN

To avoid damage to browning pan, do not immerse or rinse with water while the crisper pan is hot. Do not use steel-wool pads.

Cleaning Method:

- Warm water, mild detergent and a sponge. Heavily soiled areas can be cleaned with a scouring pad and mild cleanser.
- Dishwasher

BAKING TRAY

- Dishwasher

STEAMER

- Dishwasher

TURNTABLE SUPPORT AND ROLLERS, HUB, CRISPER PAN HANDLE

- Dishwasher

TROUBLESHOOTING

Try the solutions suggested here first in order to avoid the cost of an unnecessary service call.

Nothing will operate

- **Has a household fuse blown, or has the circuit breaker tripped?**
Replace the fuse or reset the circuit breaker. If the problem continues, call an electrician.
- **Is the appliance wired properly?**
See Installation Instructions.

Microwave oven will not operate

- **Is the door completely closed?**
Firmly close door.
- **Is the electronic oven control set correctly?**
See "Electronic Oven Control" section.
- **On some models, is the Control Lock set?**
See "Control Lock" section.
- **On combination oven models, is the lower oven self-cleaning?**
The upper oven will not work during the lower oven Self-Cleaning Cycle.
- **Is the magnetron working properly?**
Try to heat 1 cup (250 mL) of cold water for 2 minutes at 100% cooking power. If water does not heat, call for service. See "Assistance or Service" section.

Microwave oven makes humming noise

- This is normal and occurs when the transformer in the magnetron cycles on.

Microwave oven door looks wavy

- This is normal and will not affect performance.

Turntable will not operate

- **Is the turntable properly in place?**
Make sure turntable is correct side up and is sitting securely on the turntable support.
- **Is the turntable support operating properly?**
Remove turntable. Remove and clean turntable support and rollers. Replace turntable support. Replace turntable. Place 1 cup (250 mL) of water on the turntable, then restart oven. If it still is not working, call for service. See "Assistance or Service" section. Do not operate the oven without turntable and turntable support working properly.

Turntable rotates both directions

- This is normal and depends on motor rotation at beginning of cycle.

Display shows messages

- **Is the display showing a letter followed by a number?**
Clear the display. See "Display(s)" section. If it reappears, call for service. See "Assistance or Service" section.

Display shows time countdown, but is not operating

- **Is the Timer in use?**
See "Timer" section.

Tones are not sounding

- **Are tones disabled?**
See "Tones" section.

Fan stays on after cooking is completed

- Depending on the temperature inside the microwave oven after a cooking cycle ends, the cooling fan may continue to run for some time in order to cool the microwave oven. The turntable may also continue to rotate and the light may stay on during this time. This is normal. The door may be opened at any time to add or remove food, and/or to start another cooking cycle.

Smoke is coming from oven vent during crisping

- Some smoke is normal and occurs just as in conventional crisping.

Sparking during crisping

- This is normal and occurs as fat burns off from past cooking. Sparking will stop once fat is completely burned off.

Cooking times seem too long

- **Is the cooking power set properly?**
See "Microwave Cooking Power."
- **Are large amounts of food being heated?**
Larger amounts of food need longer cooking times.
- **Is the incoming voltage less than that specified in the "Electrical Requirements" section?**
Have a qualified electrician check the electrical system of the house.

Radio or TV Interference

- **Is the microwave oven plugged into the same outlet?**
Try a different outlet.
- **Is the radio or TV receiver near the microwave oven?**
Move the receiver away from the microwave oven, or adjust the radio or TV antenna.
- **Are the microwave oven door and sealing surfaces clean?**
Make sure these areas are clean.

ASSISTANCE OR SERVICE

Before calling for assistance or service, please check "Troubleshooting." It may save you the cost of a service call. If you still need help, follow the instructions below.

When calling, please know the purchase date and the complete model and serial number of your appliance. This information will help us to better respond to your request.

If you need replacement parts

If you need to order replacement parts, we recommend that you use only factory specified parts. These factory specified parts will fit right and work right because they are made with the same precision used to build every new KITCHENAID® appliance.

To locate factory specified parts in your area, call us or your nearest KitchenAid designated service center.

In the U.S.A.

Call the KitchenAid Customer eXperience Center toll free: **1-800-422-1230** or visit our website at www.kitchenaid.com.

Our Consultants Provide Assistance With:

- Features and specifications on our full line of appliances.
- Installation information.
- Use and maintenance procedures.
- Accessory and repair parts sales.
- Specialized customer assistance (Spanish speaking, hearing impaired, limited vision, etc.).
- Referrals to local dealers, repair parts distributors and service companies. KitchenAid designated service technicians are trained to fulfill the product warranty and provide after-warranty service, anywhere in the United States.

To locate the KitchenAid designated service company in your area, you can also look in your telephone directory Yellow Pages.

For further assistance

If you need further assistance, you can write to KitchenAid with any questions or concerns at:

KitchenAid Brand Home Appliances
Customer eXperience Center
553 Benson Road
Benton Harbor, MI 49022-2692

Please include a daytime phone number in your correspondence.

Accessories

Accessories U.S.A.

To order accessories, call the KitchenAid Customer eXperience Center toll free at **1-800-422-1230** and follow the menu prompts. Or visit our website at

www.kitchenaid.com/cookingaccessories. Portable appliances, bakeware, cookware, gadgets and textiles are also available.

Replacement Parts and Accessories

Glass Turntable
Part Number 8205676

Turntable Support and Rollers
Part Number 8205678

Turntable Hub
Part Number 8205677

Crisper Pan and Handle
Part Number W10187336A

Baking Tray
Part Number W10120486

Steamer
Part Number 8208262RB

Convection Rack
Part Number 4452220

affresh® Stainless Steel
Cleaner (stainless steel
models)

Part Number W10355016

affresh® Stainless Steel Wipes
(stainless steel models)
Part Number W10355049

affresh♦ Kitchen Appliance
Cleaner

Part Number W10355010

In Canada

Call the KitchenAid Canada Customer eXperience Centre toll free: **1-800-807-6777** or visit our website at www.kitchenaid.ca.

Our Consultants Provide Assistance With:

- Features and specifications on our full line of appliances.
- Use and maintenance procedures.
- Accessory and repair parts sales.
- Referrals to local dealers, repair parts distributors and service companies. KitchenAid Canada designated service technicians are trained to fulfill the product warranty and provide after-warranty service, anywhere in Canada.

For Further Assistance

If you need further assistance, you can write to KitchenAid Canada with any questions or concerns at:

Customer eXperience Centre
KitchenAid Canada
200 - 6750 Century Ave.
Mississauga, Ontario L5N 0B7

Please include a daytime phone number in your correspondence.

KITCHENAID® BUILT-IN OVEN & MICROWAVE WARRANTY

LIMITED WARRANTY

For one year from the date of purchase, when this major appliance is operated and maintained according to instructions attached to or furnished with the product, KitchenAid brand of Whirlpool Corporation or Whirlpool Canada LP (hereafter "KitchenAid") will pay for Factory Specified Parts and repair labor to correct defects in materials or workmanship. Service must be provided by a KitchenAid designated service company. This limited warranty is valid only in the United States or Canada and applies only when the major appliance is used in the country in which it was purchased. Outside the 50 United States and Canada, this limited warranty does not apply. Proof of original purchase date is required to obtain service under this limited warranty.

SECOND THROUGH FIFTH YEAR LIMITED WARRANTY ON CERTAIN COMPONENT PARTS

In the second through fifth years from the date of purchase, when this appliance is operated and maintained according to instructions attached to or furnished with the product, KitchenAid will pay for Factory Specified Parts for the following components if defective in materials or workmanship:

- Electric element
- Solid state touch control system parts

SECOND THROUGH TENTH YEAR LIMITED WARRANTY

On microwave ovens only, in the second through tenth years from date of purchase, when this major appliance is operated and maintained according to instructions attached to or furnished with the product, KitchenAid will pay for Factory Specified Parts for the stainless steel oven cavity/inner door if the part rusts through due to defects in materials or workmanship.

ITEMS EXCLUDED FROM WARRANTY

This limited warranty does not cover:

1. Service calls to correct the installation of your major appliance, to instruct you on how to use your major appliance, to replace or repair house fuses, or to correct house wiring or plumbing.
2. Service calls to repair or replace appliance light bulbs, air filters or water filters. Consumable parts are excluded from warranty coverage.
3. Repairs when your major appliance is used for other than normal, single-family household use or when it is used in a manner that is contrary to published user or operator instructions and/or installation instructions.
4. Damage resulting from accident, alteration, misuse, abuse, fire, flood, acts of God, improper installation, installation not in accordance with electrical or plumbing codes, or use of consumables or cleaning products not approved by KitchenAid.
5. Cosmetic damage, including scratches, dents, chips or other damage to the finish of your major appliance, unless such damage results from defects in materials or workmanship and is reported to KitchenAid within 30 days from the date of purchase.
6. Costs associated with the removal from your home of your major appliance for repairs. This major appliance is designed to be repaired in the home and only in-home service is covered by this warranty.
7. Repairs to parts or systems resulting from unauthorized modifications made to the appliance.
8. Expenses for travel and transportation for product service if your major appliance is located in a remote area where service by an authorized KitchenAid servicer is not available.
9. The removal and reinstallation of your major appliance if it is installed in an inaccessible location or is not installed in accordance with published installation instructions.
10. Major appliances with original model/serial numbers that have been removed, altered or cannot be easily determined. This warranty is void if the factory applied serial number has been altered or removed from your major appliance.

The cost of repair or replacement under these excluded circumstances shall be borne by the customer.

DISCLAIMER OF IMPLIED WARRANTIES; LIMITATION OF REMEDIES

CUSTOMER'S SOLE AND EXCLUSIVE REMEDY UNDER THIS LIMITED WARRANTY SHALL BE PRODUCT REPAIR AS PROVIDED HEREIN. IMPLIED WARRANTIES, INCLUDING WARRANTIES OF MERCHANTABILITY OR FITNESS FOR A PARTICULAR PURPOSE, ARE LIMITED TO ONE YEAR OR THE SHORTEST PERIOD ALLOWED BY LAW. KITCHENAID SHALL NOT BE LIABLE FOR INCIDENTAL OR CONSEQUENTIAL DAMAGES. SOME STATES AND PROVINCES DO NOT ALLOW THE EXCLUSION OR LIMITATION OF INCIDENTAL OR CONSEQUENTIAL DAMAGES, OR LIMITATIONS ON THE DURATION OF IMPLIED WARRANTIES OF MERCHANTABILITY OR FITNESS, SO THESE EXCLUSIONS OR LIMITATIONS MAY NOT APPLY TO YOU. THIS WARRANTY GIVES YOU SPECIFIC LEGAL RIGHTS, AND YOU MAY ALSO HAVE OTHER RIGHTS WHICH VARY FROM STATE TO STATE OR PROVINCE TO PROVINCE.

If outside the 50 United States and Canada, contact your authorized KitchenAid dealer to determine if another warranty applies.

If you need service, first see the "Troubleshooting" section of the Use & Care Guide. After checking "Troubleshooting," you may find additional help by checking the "Assistance or Service" section or by calling KitchenAid. In the U.S.A., call **1-800-422-1230**. In Canada, call **1-800-807-6777**.

9/07

Keep this book and your sales slip together for future reference. You must provide proof of purchase or installation date for in-warranty service.

Write down the following information about your major appliance to better help you obtain assistance or service if you ever need it. You will need to know your complete model number and serial number. You can find this information on the model and serial number label located on the product.

Dealer name _____

Address _____

Phone number _____

Model number _____

Serial number _____

Purchase date _____

SÉCURITÉ DU FOUR À MICRO-ONDES ENCASTRÉ

Votre sécurité et celle des autres est très importante.

Nous donnons de nombreux messages de sécurité importants dans ce manuel et sur votre appareil ménager. Assurez-vous de toujours lire tous les messages de sécurité et de vous y conformer.



Voici le symbole d'alerte de sécurité.

Ce symbole d'alerte de sécurité vous signale les dangers potentiels de décès et de blessures graves à vous et à d'autres.

Tous les messages de sécurité suivront le symbole d'alerte de sécurité et le mot "DANGER" ou "AVERTISSEMENT". Ces mots signifient :

! DANGER

Risque possible de décès ou de blessure grave si vous ne suivez pas immédiatement les instructions.

! AVERTISSEMENT

Risque possible de décès ou de blessure grave si vous ne suivez pas les instructions.

Tous les messages de sécurité vous diront quel est le danger potentiel et vous disent comment réduire le risque de blessure et ce qui peut se produire en cas de non-respect des instructions.

IMPORTANTES INSTRUCTIONS DE SÉCURITÉ

Lors de l'utilisation d'appareils électroménagers, il convient d'observer certaines précautions élémentaires dont les suivantes :

AVERTISSEMENT : Pour réduire le risque de brûlures, de choc électrique, d'incendie, de blessures aux personnes et l'exposition excessive à l'énergie des micro-ondes :

- Lire toutes les instructions avant d'utiliser le four à micro-ondes.
- Lire et observer les instructions spécifiques de "PRÉCAUTIONS CONTRE LE RISQUE D'EXPOSITION EXCESSIVE À L'ÉNERGIE DES MICRO-ONDES" présentées dans cette section.
- Le four à micro-ondes doit être relié à la terre. Brancher l'appareil uniquement sur une prise de courant convenablement reliée à la terre. Voir les "INSTRUCTIONS DE MISE À LA TERRE" présentées dans cette section.
- Installer ou placer le four à micro-ondes uniquement selon les instructions d'installation fournies.
- Certains produits, comme les oeufs entiers dans leur coquille et les récipients fermés – par exemple les bocaux en verre fermés – peuvent exploser et on ne doit pas les faire chauffer dans un four à micro-ondes.
- Utiliser cet appareil uniquement pour les usages auxquels il est destiné, tels qu'ils sont décrits dans ce manuel. Ne pas utiliser de vapeurs ou de produits chimiques corrosifs dans le four à micro-ondes. Ce type de four est spécifiquement conçu pour chauffer, cuire ou sécher des aliments. Il n'est pas conçu pour usage industriel ou de laboratoire.
- Des aliments et des ustensiles de cuisson en métal de taille excessive ne doivent pas être placés dans le four à micro-ondes car ils peuvent créer un incendie ou un risque de choc électrique.
- Ne pas nettoyer avec un tampon à récurer en métal. Des parties se détachant du tampon peuvent toucher des pièces électriques, causant un risque de choc électrique.
- Ne pas remiser dans le four non utilisé des articles autres que les accessoires recommandés par le fabricant.
- Ne pas faire fonctionner le four à micro-ondes si le cordon d'alimentation ou la fiche de branchement est endommagé, s'il ne fonctionne pas correctement, s'il a subi des dommages ou s'il est tombé sur le plancher.
- Ne pas frire dans le four. Les ustensiles allant au four à micro-ondes ne conviennent pas et il est difficile de maintenir des températures de friture appropriées.
- Ne pas utiliser des produits en papier lorsque l'appareil fonctionne au mode "PAN BROWN" (brunissement).
- Ne pas couvrir les grilles ou toute autre partie du four avec du papier métallique. Un surchauffage du four surviendra.
- Comme pour tout appareil ménager, les enfants ne devraient utiliser ce four que sous une supervision adéquate.
- Tous les travaux de service doivent être exécutés exclusivement par un personnel d'entretien qualifié. Contacter un centre de service autorisé pour les opérations d'inspection, de réparation ou de réglage.
- Ne pas couvrir ou obstruer une ouverture quelconque du four à micro-ondes.

CONSERVEZ CES INSTRUCTIONS

IMPORTANTES INSTRUCTIONS DE SÉCURITÉ

- Les liquides tels que l'eau, le café ou le thé peuvent trop chauffer – au-delà du point d'ébullition – sans sembler bouillir. Il n'y a pas toujours des bulles ou une ébullition lorsqu'on retire le récipient du four à micro-ondes. À CAUSE DE CECI, DES LIQUIDES TRÈS CHAUDS POURRAIENT DÉBORDER LORSQU'ON BOUGE LE RÉCIPIENT OU QUE L'ON UTILISE UNE CUILLÈRE OU UN AUTRE USTENSILE POUR LE REMUER.

Pour réduire le risque de blessures corporelles :

- Ne pas trop faire chauffer le liquide.
- Remuer le liquide avant et pendant le chauffage.
- Ne pas utiliser de récipients à parois droites avec des ouvertures étroites.
- Une fois chaud, laisser le récipient dans le four à micro-ondes un moment avant de le retirer.
- Faire très attention lorsqu'on utilise une cuillère ou un autre ustensile dans le récipient.

- Ne pas remettre le four à micro-ondes à l'extérieur. Ne pas utiliser cet appareil près de l'eau, comme par exemple près d'un évier de cuisine, un sous-sol mouillé ou près d'une piscine ou autres endroits semblables.
- Voir les instructions de nettoyage de la surface de la porte à la section "Entretien du four à micro-ondes".
- Pour réduire le risque d'incendie dans la cavité du four :
 - Ne pas faire cuire les aliments excessivement. Surveiller attentivement le four à micro-ondes après y avoir placé des produits en papier, en plastique ou autres matériaux combustibles pour faciliter la cuisson des aliments.
 - Enlever les attaches métalliques des sachets en papier ou en plastique avant de placer les sachets dans le four.
 - En cas d'inflammation de matériaux placés à l'intérieur du four, maintenir la porte du four fermée, arrêter le four et débrancher le cordon de courant électrique, ou interrompre l'alimentation électrique au niveau du tableau de distribution (fusible ou disjoncteur).
 - Ne pas utiliser la cavité du four comme espace de rangement. Ne pas laisser dans le four des produits en papier, ustensiles de cuisine ou produits alimentaires, lorsqu'il n'est pas utilisé.

CONSERVEZ CES INSTRUCTIONS

PRÉCAUTIONS CONTRE LE RISQUE D'EXPOSITION EXCESSIVE À L'ÉNERGIE DES MICRO-ONDES

- (a) Ne pas tenter de faire fonctionner ce four lorsque la porte est ouverte, car ceci pourrait susciter une exposition dangereuse à l'énergie des micro-ondes. Il est important de ne pas entraver le fonctionnement correct du dispositif de verrouillage de sécurité.
- (b) Ne pas placer d'objet entre la surface avant du four et la porte, et ne jamais laisser des souillures ou résidus de produits de nettoyage s'accumuler sur les surfaces d'étanchéité.
- (c) Ne pas faire fonctionner le four lorsqu'il est endommagé. Il est particulièrement important que la porte du four ferme convenablement et que les composants suivants ne soient pas endommagés :
 - (1) Porte (déformation),
 - (2) Charnières et dispositif de verrouillage (brisés ou desserrés),
 - (3) Joints de porte et surfaces d'étanchéité.
- (d) Seul un personnel d'entretien qualifié est habilité à exécuter des réparations ou réglages sur cet appareil.

Avertissements de la proposition 65 de l'État de Californie :

AVERTISSEMENT : Ce produit contient au moins un produit chimique connu par l'État de Californie pour être à l'origine de cancers.

AVERTISSEMENT : Ce produit contient au moins un produit chimique connu par l'État de Californie pour être à l'origine de malformations et autres déficiences de naissance.

Spécifications électriques

Observer les dispositions de tous les codes et règlements en vigueur. Le four à micro-ondes est connecté aux deux côtés 120 volts du circuit de 208/240 volts requis pour les raccordements électriques. Si la tension d'entrée au four à micro-ondes est inférieure à 120 volts, les temps de cuisson risquent de s'allonger. Demander à un électricien qualifié de vérifier votre système électrique.

Ce dispositif est conforme à la section 18 des règlements FCC.

INSTRUCTIONS DE LIAISON À LA TERRE

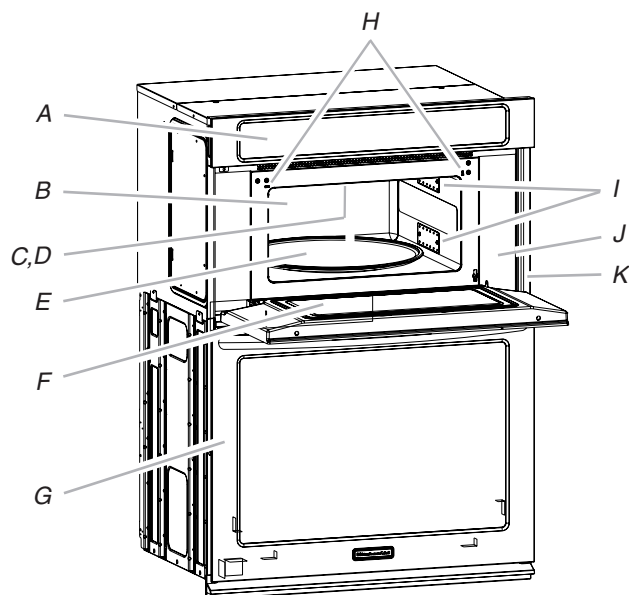
Pour un four à micro-ondes raccordé en permanence :

Le four à micro-ondes doit être raccordé à un système de câblage permanent en métal relié à la terre, ou le câblage d'alimentation doit inclure un conducteur de liaison à la terre connecté à la borne ou à un fil de liaison à la terre sur le four à micro-ondes.

CONSERVER CES INSTRUCTIONS

PIÈCES ET CARACTÉRISTIQUES

Ce manuel couvre différents modèles. Le four à micro-ondes que vous avez acheté peut comporter l'ensemble des pièces et caractéristiques énumérées ou seulement certaines d'entre elles. L'emplacement et l'apparence des caractéristiques illustrées peuvent ne pas correspondre à ceux de votre modèle.



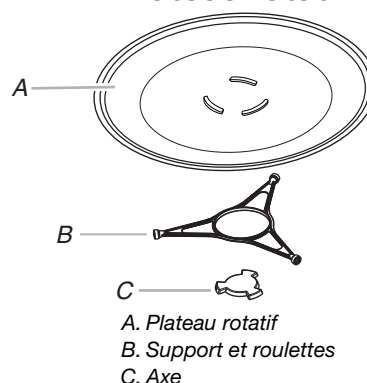
- A. Commande électronique du four
- B. Élément et ventilateur à convection (dissimulés derrière le panneau arrière)
- C. Lampe (inaccessible, dans la voûte)
- D. Élément du grill (peut être abaissé)
- E. Plateau rotatif
- F. Hublot avec protection métallique
- G. Four inférieur (sur les modèles de fours combinés, voir le Guide d'utilisation et d'entretien séparé)
- H. Système de verrouillage de sécurité de la porte

- I. Double point d'émission des micro-ondes
- J. Étiquette du guide de cuisson
- K. Plaque signalétique (sur la glissière à droite, pour les modèles de four simple)

Pièces et caractéristiques non illustrées

- Cuiseur vapeur
- Grille de convection
- Plat à croustiller et poignée
- Plaque de cuisson

Plateau rotatif



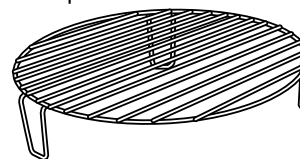
Le plateau rotatif tourne dans les deux sens pour permettre une cuisson plus uniforme. Ne pas faire fonctionner le four à micro-ondes lorsque le plateau rotatif est enlevé. Voir "Assistance ou service" pour passer une nouvelle commande de pièces.

REMARQUE : Le plateau rotatif, la lampe du four à micro-ondes et le ventilateur de refroidissement continuent à fonctionner jusqu'à ce que l'on ouvre la porte du four à micro-ondes ou que l'on appuie sur CANCEL (annulation).

Insérer les protubérances arrondies au centre du dessous du plateau rotatif entre les trois rayons de l'axe. L'axe fait tourner le plateau rotatif pendant l'utilisation du four à micro-ondes. Les roulettes sur le support devraient se loger à l'intérieur du pourtour cranté du dessous du plateau rotatif.

Grille de convection

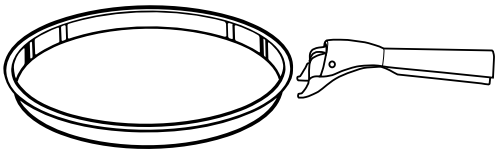
La grille de convection apporte une circulation optimale de la chaleur pour la cuisson par convection.



- La grille devient chaude. Toujours utiliser des mitaines de four ou des maniques lors de la manipulation.
- Pour éviter d'endommager le four à micro-ondes, ne pas laisser la grille toucher les parois internes, la voûte ou le plancher de la cavité du four à micro-ondes.
- Toujours utiliser le plateau rotatif.

- Pour éviter d'endommager le four à micro-ondes, ne pas remettre la grille dans le four.
- La cuisson sur deux niveaux n'est pas recommandée.
- Pour de meilleurs résultats, ne pas placer des sacs de maïs à éclater sur la grille.
- La grille est conçue spécialement pour ce four à micro-ondes. Pour de meilleurs résultats de cuisson, n'utiliser aucune autre grille dans ce four à micro-ondes.
- Voir la section "Assistance ou service" pour une nouvelle commande.

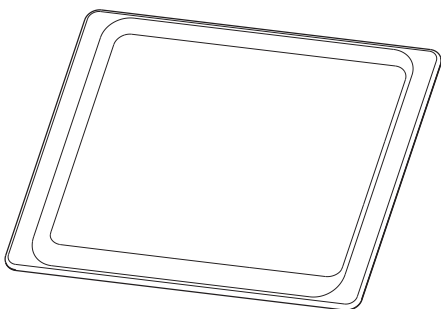
Poêle à croustiller et poignée



La poêle à croustiller, avec sa surface antiadhésive et sa poignée amovible, a été conçue spécialement pour l'utilisation au four à micro-ondes et est idéale pour faire sauter (brunir) des aliments dans le four à micro-ondes.

- La poêle à croustiller deviendra chaude. Toujours utiliser la poignée et des mitaines de four lors de l'utilisation de la poêle. Placer l'extrémité de fixation sur le bord de la poêle, serrer la poignée et soulever la poêle.
- Pour éviter d'endommager le four à micro-ondes, ne pas laisser la poêle à croustiller ou la poignée en contact avec les parois internes, la voûte ou le fond du four à micro-ondes.
- Ne pas placer la poêle à croustiller sur la grille de convection. Toujours utiliser le plateau rotatif comme support pour la poêle à croustiller.
- Pour éviter d'endommager le four, ne pas utiliser d'autre objet métallique avec la poêle à croustiller.
- Pour éviter tout dommage, ne pas placer la poêle à croustiller chaude directement sur des surfaces non résistantes à la chaleur.
- La poêle à croustiller est conçue spécifiquement pour ce four à micro-ondes. Ne pas l'utiliser dans un autre four.
- Utiliser seulement des ustensiles de cuisson en bois ou en plastique pour éviter les rayures.
- Voir la section "Assistance ou service" pour une nouvelle commande.

Plaque de cuisson

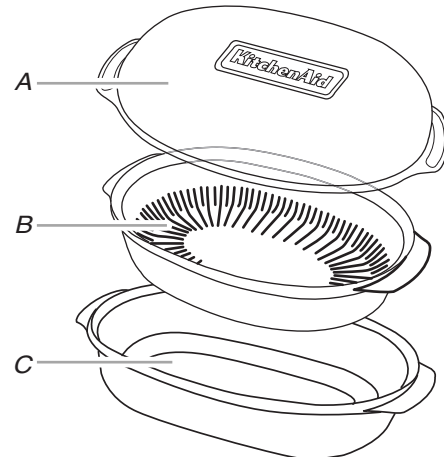


- La plaque de cuisson peut uniquement être utilisée pour la cuisson par convection.
- Pour éviter d'endommager le four à micro-ondes, ne pas utiliser avec la cuisson aux micro-ondes.

- La plaque de cuisson deviendra chaude. Toujours utiliser des mitaines de four ou des maniques lors de l'utilisation.
- Voir la section "Positionnement de la plaque de cuisson" avant l'utilisation.
- Voir la section "Assistance ou service" pour une nouvelle commande.

Cuiseur vapeur KITCHENAID™

Utiliser le cuiseur vapeur KITCHENAID™ avec la caractéristique de cuisson à la vapeur pour cuire les aliments à la vapeur.



A. Couvercle
B. Insert
C. Base

- Le cuiseur vapeur deviendra chaud. Toujours utiliser des mitaines de four ou des maniques lors de l'utilisation.
- Le cuiseur vapeur est conçu pour être utilisé uniquement dans un four à micro-ondes. Pour éviter d'endommager le cuiseur vapeur, ne pas utiliser dans un four conventionnel ou combiné, avec toute autre fonction de convection ou de croustillage, ou sur des éléments électriques ou brûleurs à gaz.
- Ne pas utiliser de film alimentaire ou du papier d'aluminium pour couvrir les aliments.
- Toujours placer le cuiseur vapeur sur le plateau rotatif en verre. Vérifier que le plateau rotatif tourne librement avant de mettre le four en marche.
- Ne pas retirer le couvercle alors que le récipient se trouve à l'intérieur du four, le flux de vapeur annulerait les réglages de détection.
- Pour éviter les rayures, utiliser des ustensiles de plastique.
- Ne pas trop remplir d'eau. Voir le tableau de réglage de vapeur dans la section "Cuisson à la vapeur" pour connaître la quantité d'eau recommandée.

Couvercle : Toujours utiliser le couvercle lorsqu'on cuit à la vapeur. Le placer directement sur l'insert et la base ou simplement sur la base.

Insert : L'utiliser lorsqu'on cuit à la vapeur pour conserver les aliments tels que le poisson et les légumes hors de l'eau. Placer l'insert avec les aliments directement sur la base. Ne pas l'utiliser lors de la cuisson par mijotage.

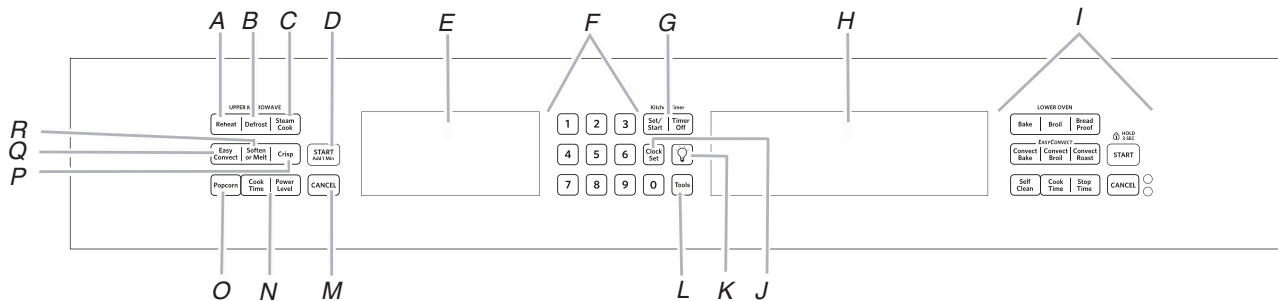
Base : Pour la cuisson à la vapeur, placer l'eau dans la base. Pour les aliments à mijoter, tels que le riz, les pommes de terre, les pâtes et les légumes, placer les aliments et l'eau/le liquide dans la base.

Voir la section "Assistance ou service" pour commander des pièces de rechange. Voir la section "Nettoyage général" pour les instructions de nettoyage.

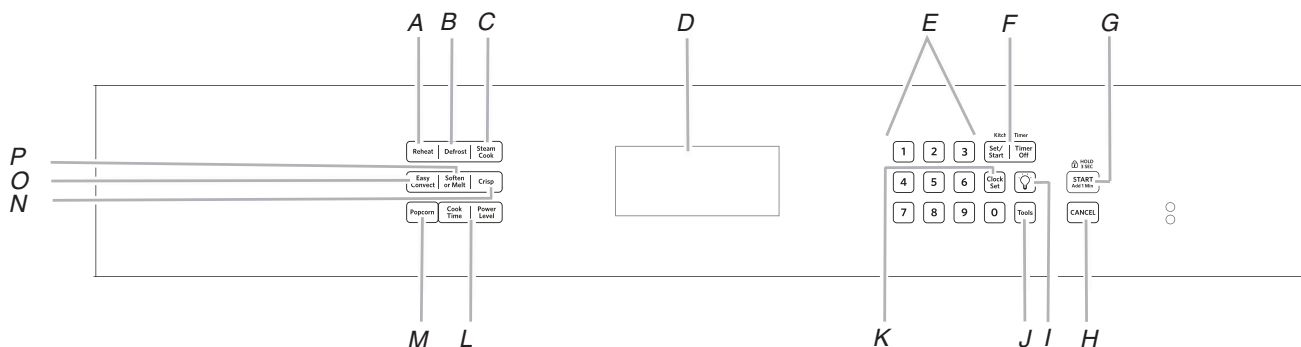
COMMANDES ÉLECTRONIQUES DU FOUR

Ce manuel couvre différents modèles. Le four que vous avez acheté peut comporter tous les articles énumérés ou seulement certains d'entre eux. Les emplacements et aspects des articles illustrés ci-dessous peuvent ne pas correspondre à ceux de votre modèle.

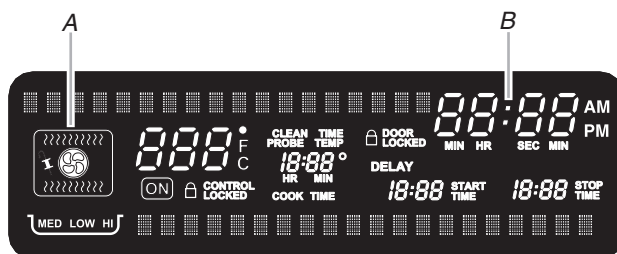
Modèles de fours combinés



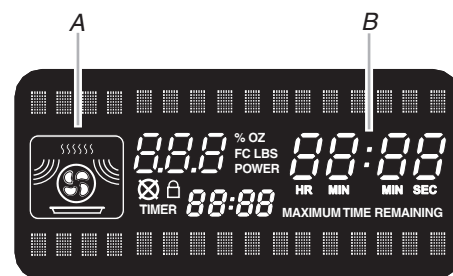
- A. Réchauffage
- B. Décongélation
- C. Cuisson à la vapeur
- D. Mise en marche/ajouter 1 minute
- E. Affichage du four à micro-ondes
- F. Touches numériques
- G. Réglage/mise en marche/arrêt de la minuterie
- H. Affichage du four inférieur
- I. Commandes du four inférieur (voir Guide d'utilisation et d'entretien séparé)
- J. Réglage de l'horloge
- K. Lampe du four
- L. Outils
- M. Annulation
- N. Durée de cuisson/niveau de puissance
- O. Maïs soufflé
- P. Faire croustiller
- Q. EasyConvect™
- R. Ramollir ou faire fondre



- A. Réchauffage
- B. Décongélation
- C. Cuisson à la vapeur
- D. Affichage du four à micro-ondes
- E. Touches numériques
- F. Réglage/mise en marche/arrêt de la minuterie
- G. Mise en marche/ajouter 1 min
- H. Annulation
- I. Lampe du four
- J. Outils
- K. Réglage de l'horloge
- L. Durée de cuisson/niveau de puissance
- M. Maïs soufflé
- N. Faire croustiller
- O. EasyConvect™
- P. Ramollir ou faire fondre



Affichage du four inférieur (modèles de fours combinés)
 A. Symbole de cavité du four
 B. Affichage de l'heure/de la minuterie



Affichage du four à micro-ondes supérieur (modèles de fours combinés)

- A. Symbole de four à micro-ondes
- B. Affichage de la minuterie

Affichage du four à micro-ondes (modèles de four simple)

- A. Symbole de four à micro-ondes
- B. Affichage de l'heure/de la minuterie

Affichage(s)

Lors de la mise sous tension initiale du four, "12:00" clignote sur l'affichage de la minuterie et "Horl-Entr Heure" apparaît sur l'affichage. Entrer l'heure en appuyant sur les touches numériques. Appuyer ensuite sur CLOCK SET (réglage de l'horloge) ou START (mise en marche) pour mettre la minuterie en marche. Pour permettre le fonctionnement du four sans régler l'heure, appuyer sur CLOCK SET (réglage de l'horloge), START (mise en marche) ou CANCEL (annulation).

Affichage du four inférieur (modèles de fours combinés)

Lorsqu'on utilise le four supérieur, l'affichage de ce four indique la ou les sources de chaleur, la puissance de cuisson, les quantités, les poids et/ou des suggestions d'aide et le compte à rebours de la minuterie pour le four supérieur.

Si "Err" apparaît sur l'affichage du four inférieur, cela signifie qu'une erreur s'est produite. Appeler pour demander une intervention de dépannage. Voir la section "Assistance ou service".

Lorsqu'on n'utilise pas le four inférieur, l'affichage de ce four indique l'heure ou le compte à rebours de la minuterie.

Affichage du four à micro-ondes supérieur (modèles de fours combinés)

Lorsqu'on utilise le four supérieur, l'affichage de ce four indique la ou les sources de chaleur du four supérieur, la puissance de cuisson, les quantités, les poids et/ou des suggestions d'aide et le compte à rebours de la minuterie.

Si "Err" apparaît sur l'affichage du four supérieur, cela signifie qu'une erreur est survenue. Appeler pour demander une intervention de dépannage. Voir la section "Assistance ou service".

Lorsqu'on n'utilise pas le four supérieur, l'affichage de ce four est vierge.

Affichage du four à micro-ondes (modèles de four simple)

Lorsqu'on utilise le four à micro-ondes, l'affichage de ce four indique la(les) source(s) de chaleur, la puissance de cuisson, les quantités, les poids et/ou des suggestions d'aide et le compte à rebours de la minuterie.

Si "Err" apparaît sur l'affichage, cela signifie qu'une erreur est survenue. Appeler pour demander une intervention de dépannage. Voir la section "Assistance ou service".

Affichage de l'heure du jour/minuterie

Lorsque le four à micro-ondes n'est pas utilisé, l'affichage indique l'heure du jour ou le compte à rebours de la minuterie.

Codes de chiffres

Le four est pré-réglé avec des codes de chiffres pour faciliter l'utilisation. Un code de chiffres comprend l'une ou plusieurs des fonctions suivantes : type d'aliment, puissance de chauffage, temps de cuisson et quantité d'aliments ou poids. Voir les tableaux de codes dans les sections "Réchauffage", "Décongélation", "Cuisson à la vapeur", "Ramollir/Faire fondre" et "EasyConvect™" pour des informations supplémentaires.

Start/Add 1 Minute (mise en marche/ajouter une minute)

La touche Start/Add 1 Min contrôle 3 fonctions distinctes pour le four à micro-ondes simple encastré : Mise en marche, ajouter une minute et verrouillage des commandes.

Mise en marche

La touche Start/Add 1 Min active n'importe quelle fonction de cuisson du four supérieur ou du four simple une fois qu'on a entré un nombre suffisant de données et que la porte est fermée.

Si l'on a entré suffisamment de données et que la porte est fermée, "Start?" apparaît sur l'affichage du four à titre de rappel. Si l'on n'appuie pas sur la touche Start (mise en marche) dans un délai de 5 minutes après avoir appuyé sur une autre touche, l'affichage du four retourne au mode inactif et la fonction programmée est annulée.

Si la cuisson est interrompue par l'ouverture de la porte, appuyer sur Start/Add 1 Min après la fermeture de la porte pour poursuivre le programme pré-réglé.

Ajouter une minute

Appuyer sur la touche Start/Add 1 minute lorsque le four à micro-ondes est arrêté fera débiter une durée de cuisson de 1 minute à la puissance maximale. En appuyant sur Start/Add 1 Min (mise en marche/ajouter une minute) pendant que le four à micro-ondes fonctionne, on rallonge d'une minute la durée de cuisson du programme en cours. On peut ajouter plusieurs minutes en appuyant plusieurs fois sur Start/Add 1 minute.

Verrouillage des commandes

Le verrouillage des commandes désactive les touches du tableau de commande pour éviter l'utilisation involontaire du four. Si le verrouillage des commandes a été réglé avant une panne de courant, la fonction reste activée après cette panne de courant.

Lorsque le tableau de commande est verrouillé, seules les touches Set/Start (réglage/mise en marche), Oven light (lampe du four) et Timer off (arrêt de la minuterie) fonctionnent.

Le verrouillage des commandes est pré-réglé désactivé, mais peut être activé.

Verrouillage des commandes : Appuyer sur START (sur fours combinés uniquement) ou START/ADD 1 MIN (sur fours à micro-ondes uniquement) pendant environ 3 secondes, jusqu'à ce que "Mod Comm verr" apparaisse sur la ligne de texte inférieure et que l'icône de verrou apparaisse sur l'affichage.

Pour déverrouiller les commandes : Répéter pour déverrouiller. "Mod Comm Déverr" s'affiche sur la ligne de texte inférieure et l'icône de verrouillage disparaît.

Annulation du four à micro-ondes

La touche Cancel (annulation) désactive toutes les fonctions du four à micro-ondes à l'exception de l'horloge, de la minuterie et du verrouillage des commandes.

Le four s'arrête également lorsqu'on ouvre la porte. Lorsque la porte est ouverte, l'élément ou les éléments et le ventilateur s'arrêteront, mais la lampe du four restera allumée. Fermer la porte et appuyer sur START pour réinitialiser le programme pré-réglé (sauf pour les cuissons avec détection).

Le ventilateur de refroidissement du four peut continuer à fonctionner même après l'annulation ou la fin d'une fonction, selon la température du four.

Horloge

Il s'agit d'une horloge de 12 heures. Avant le réglage, s'assurer que le four, la minuterie et la cuisson minutée sont désactivés.

Réglage :

1. Appuyer sur CLOCK SET (réglage de l'horloge).
2. Appuyer sur les touches numériques pour régler l'heure.
3. Appuyer sur CLOCK SET (réglage de l'horloge) ou START (mise en marche).

Signaux sonores

Les signaux sonores indiquent ce qui suit :

Un bip

- Touche numérique valide
- Fonction entrée

Une sonnerie

- Four préchauffé
- Programme de préchauffage terminé

Trois bips

- Touche numérique invalide

Trois sonneries

- Fin d'un programme de cuisson

Quatre sonneries

- Lorsque la minuterie est à zéro
Comprend l'utilisation de la minuterie de cuisine pour des fonctions autres que la cuisson.

Volume des signaux sonores

Le volume est pré réglé à faible, mais il peut être changé à élevé.

Modification : Appuyer sur TOOLS (outils), puis sur "3" pour alterner entre un réglage de volume élevé ou faible.

REMARQUE : La minuterie de cuisine n'est pas affectée par les signaux de rappel.

Tous les signaux sonores

Tous les signaux sonores sont actifs par défaut, mais peuvent être désactivés.

Désactivation/activation : Appuyer sur TOOLS (outils), puis sur "2" pour activer/désactiver les signaux sonores.

Signaux de fin de programme et de rappel

Les signaux sonores de rappel et de fin de programme d'une cuisson minutée sont activés par défaut mais peuvent être désactivés. Si tous les signaux ont été éteints, les signaux sonores de fin de programme et de rappel ne peuvent être allumés seuls.

Désactivation/activation des signaux sonores : Appuyer sur TOOLS (outils), puis sur "4" pour activer/désactiver les signaux sonores.

REMARQUE : La minuterie de cuisine n'est pas affectée par ces signaux de rappel.

Outils

(Modèles de fours à micro-ondes)

La touche de sélection Outils permet d'accéder à 7 fonctions cachées parmi les commandes électroniques du four. Ces fonctions cachées permettent d'alterner entre unités Fahrenheit et Celsius pour la température du four, d'activer ou de désactiver les signaux sonores, les messages, ou le plateau rotatif, de choisir la langue et de sélectionner les modes de démonstration.

REMARQUE : Cette procédure est réservée à certains fours à micro-ondes uniquement. Les outils pour fours combinés apparaissent sur l'affichage du four.

Utilisation :

1. Appuyer sur TOOLS (outils). L'affichage du four fait défiler les différentes options, commençant par 1 et terminant automatiquement à 7.
On peut aussi appuyer plusieurs fois sur la touche Outils pour faire défiler manuellement la liste d'options.
2. Appuyer sur la touche numérique pour choisir l'option et faire défiler la configuration de la fonction. Utiliser le tableau suivant comme guide.

TABLEAU OUTILS

OUTILS	FONCTION CACHÉE
1	Conversion Fahrenheit et Celsius
2	Son On/Off (mise en marche/arrêt)
3	Son Élevé/Bas
4	Signal de fin On/Off (activé/désactivé)
5	Mise en marche/arrêt du plateau rotatif
6	Langue
7	Mode de démonstration

Fahrenheit et Celsius

La température est pré réglée en Fahrenheit, mais elle peut être modifiée et affichée en Celsius.

Pour modifier : Appuyer sur OPTIONS, puis sur "1" pour passer du réglage de température Fahrenheit au réglage Celsius.

Lorsque la température est en mode Fahrenheit, "°F" apparaît après la température du four.

Lorsque la température est en mode Celsius, "°C" apparaît après la température du four.

Minuterie

La minuterie peut être réglée en minutes et secondes ou en heures et minutes et procède à un compte à rebours de la durée programmée.

REMARQUE : La minuterie ne met pas en marche et n'arrête pas le four.

Réglage :

1. Appuyer sur SET/START (réglage/mise en marche).
Appuyer à nouveau pour passer des MIN/SEC aux HR/MIN.
Si aucune action n'est effectuée, le tableau de commande continue d'attendre l'entrée d'une durée de cuisson.
2. Appuyer sur les touches numériques pour programmer une durée.
3. Appuyer sur SET/START (réglage/mise en marche).
Si l'on n'appuie pas sur la touche, le tableau de commande continue d'attendre qu'on appuie sur SET/START (réglage/mise en marche).

Lorsque la durée de cuisson programmée est écoulée, 4 signaux sonores retentissent continuellement jusqu'à ce qu'on appuie sur la touche Timer Off (arrêt de la minuterie).

Si on appuie sur la touche Cancel (annulation), le four s'éteint; cependant, la minuterie ne peut être arrêtée qu'en appuyant sur la touche Timer off (arrêt de la minuterie).

UTILISATION DU FOUR À MICRO-ONDES ENCASTRÉ

Un magnétron dans le four produit des micro-ondes qui rebondissent sur le plancher, les parois et la voûte en métal et qui passent à travers le plateau rotatif et les ustensiles de cuisson appropriés pour atteindre l'aliment. Les micro-ondes sont attirées vers et absorbées par le gras, le sucre et les molécules d'eau dans les aliments et font déplacer ces molécules, en produisant une friction et une chaleur qui fait cuire les aliments.

- Pour éviter d'endommager le four à micro-ondes, ne pas s'appuyer ou laisser les enfants se balancer sur la porte du four à micro-ondes.
- Pour éviter d'endommager le four à micro-ondes, ne pas faire fonctionner le four à micro-ondes pendant qu'il est vide.
- Le plateau rotatif doit être en place et à l'endroit lorsque le four à micro-ondes est utilisé. Ne pas utiliser le plateau rotatif s'il est fêlé ou brisé. Voir la section "Assistance ou service" pour une nouvelle commande.
- Les biberons et les petits pots d'aliments pour bébé ne doivent pas être chauffés dans le four à micro-ondes.
- Les vêtements, fleurs, fruits, herbes, bois, gourdes, papier, y compris les sacs en papier brun et les journaux ne doivent pas être séchés dans le four à micro-ondes.
- La paraffine ne fondra pas dans le four à micro-ondes. car elle n'absorbe pas les micro-ondes.
- Utiliser des mitaines de four ou des maniques lors de l'enlèvement des contenants du four.
- Ne pas faire cuire les pommes de terre excessivement. À la fin de la durée de cuisson recommandée, les pommes de terre devraient être légèrement fermes. Laisser les pommes de terre reposer pendant 5 minutes. Elles achèveront de cuire pendant cette période.
- Ne pas faire cuire ou réchauffer des œufs entiers avec leur coquille. La vapeur accumulée dans les œufs entiers pourrait les faire éclater. Recouvrir les œufs pochés et les laisser reposer.

Caractéristiques des aliments

Lors de la cuisson au four à micro-ondes, la quantité, la taille, la forme, la température de mise en marche, la composition et la densité de l'aliment affectent les résultats de cuisson.

Quantité d'aliments

La quantité d'aliments chauffés à la fois influence la durée de cuisson. Vérifier le degré de cuisson et rallonger légèrement la durée si nécessaire.

Taille et forme

Des morceaux plus petits d'aliments cuiront plus vite que les gros morceaux, et les aliments uniformes cuiront plus également que les aliments de forme irrégulière.

Température de mise en marche

Les aliments à température ambiante chaufferont plus vite que les aliments réfrigérés, et les aliments réfrigérés chaufferont plus vite que les aliments congelés.

Composition et densité

Les aliments à haute teneur en gras et en sucre atteindront une température plus élevée et chaufferont plus vite que les autres. Les aliments lourds et denses, tels que la viande et les pommes de terre, demandent un temps de cuisson plus long qu'un aliment de la même taille, léger et poreux tel que les gâteaux.

Guide de cuisson

Recouvrement

Le recouvrement des aliments aide à retenir l'humidité, réduire le temps de cuisson et réduire les éclaboussures. Utiliser le couvercle fourni avec l'ustensile de cuisson. S'il n'y a pas de couvercle disponible, du papier paraffiné, un essuie-tout ou du film alimentaire approuvés pour les micro-ondes peuvent être utilisés. Le film alimentaire doit être retourné à un coin pour fournir une ouverture à l'échappement de la vapeur. La condensation sur les surfaces de la porte et de la cavité est normale pendant une cuisson intense.

Remuer et tourner

Remuer et tourner les aliments redistribue la chaleur de manière uniforme pour éviter la cuisson excessive des bords externes des aliments. Mélanger de l'extérieur vers le centre. Si possible, retourner les aliments.

Disposition

S'il s'agit d'aliments de formes irrégulières ou de dimensions différentes, les parties plus minces et les morceaux plus petits doivent être disposés près du centre. Si l'on cuit plusieurs aliments de même taille et de même forme, les placer en forme de cercle, en laissant le centre du cercle vide.

Dégagement de la pression

Avant le chauffage, utiliser une fourchette ou un petit couteau pour percer les aliments qui ont une peau ou une membrane, tels que les pommes de terre, jaunes d'œufs, foies de poulet, hot dogs et saucisses. Percer plusieurs endroits pour laisser échapper la vapeur.

Protection

Utiliser du papier d'aluminium en petits morceaux pour protéger les parties minces d'aliments de forme irrégulière, les os, et les aliments tels que les ailes et pilons de poulet et les queues de poisson. Voir d'abord "Papier d'aluminium et métal".

Temps de repos

Les aliments continueront à cuire par conduction naturelle de la chaleur même après l'achèvement du programme de cuisson à micro-ondes. La durée du temps de repos dépend du volume et de la densité de l'aliment.

Mise en marche/arrêt du plateau rotatif

Pour un meilleur rendement, le plateau rotatif doit être mis en marche pendant la cuisson aux micro-ondes.

Si on utilise un ustensile de cuisson très grand qui empêche le plateau rotatif de tourner correctement, arrêter le plateau rotatif. Dans le menu d'options, sélectionner "Arrêt" du plateau rotatif.

Lors de la cuisson aux micro-ondes avec le plateau rotatif arrêté, l'aliment doit être retourné à mi-cuisson.

Ustensiles de cuisson et vaisselle

Les ustensiles de cuisson et la vaisselle doivent pouvoir être placés sur le plateau rotatif. Toujours utiliser des mitaines de four ou des maniques lors de la manipulation car tout plat peut devenir chaud du fait de la chaleur transmise par les aliments. Ne pas utiliser des ustensiles de cuisson ou de la vaisselle avec garniture en or ou en argent. Utiliser le tableau suivant comme guide, ensuite faire un test avant utilisation.

MATÉRIAU	RECOMMANDATIONS
Papier d'aluminium, métal	Voir la section "Papier d'aluminium et métal".
Plat à brunir	La base doit être au moins à $\frac{3}{16}$ " (5 mm) au dessus du plateau rotatif. Suivre les recommandations du fabricant.
Vitrocéramique, verre	Peut être utilisé.
Porcelaine, terre cuite	Suivre les recommandations du fabricant.
Mélatamine	Suivre les recommandations du fabricant.
Papier : Chiffons, vaisselle, serviettes de table	Utiliser des produits non-recyclés et ceux qui sont approuvés par le fabricant pour l'utilisation dans un four à micro-ondes.
Plastique : Emballages en plastique, sacs, couvercles, vaisselle, contenants	Utiliser des produits approuvés par le fabricant pour l'utilisation dans un four à micro-ondes.
Poterie et argile	Suivre les recommandations du fabricant.
Ustensiles de cuisson en silicone	Suivre les recommandations du fabricant.
Paille, osier, contenants en bois	Ne pas utiliser au four à micro-ondes.
Styrofoam®† (mousse de polystyrène)	Ne pas utiliser au four à micro-ondes.
Papier paraffiné	Peut être utilisé.

Pour vérifier l'ustensile de cuisson ou la vaisselle pour l'utilisation au four à micro-ondes :

1. Placer l'ustensile de cuisson ou la vaisselle au four à micro-ondes avec 1 tasse (250 mL) d'eau à côté.
2. Faire cuire à la puissance de cuisson maximale pendant 1 minute.

Ne pas utiliser cet ustensile de cuisson ou cet article de vaisselle s'il devient chaud alors que l'eau demeure froide.

Papier d'aluminium et métal

Toujours utiliser des mitaines de four ou des maniques lorsque l'on retire des plats du four à micro-ondes.

Le papier d'aluminium et certains métaux peuvent être utilisés dans le four à micro-ondes. Si ces articles ne sont pas correctement utilisés, des arcs (un éclair bleu) peuvent survenir et causer des dommages au four à micro-ondes.

Utilisation correcte

Les grilles et les ustensiles de cuisson au four fournis avec le four à micro-ondes (sur certains modèles), la feuille d'aluminium pour protection et les thermomètres à viande approuvés peuvent être utilisés avec les précautions suivantes :

- Pour éviter d'endommager le four à micro-ondes, ne pas laisser le papier d'aluminium ou le métal toucher les parois internes, la voûte ou le plancher de la cavité du four.
- Toujours utiliser le plateau rotatif.
- Pour éviter d'endommager le four à micro-ondes, ne pas permettre le contact avec un autre objet en métal durant la cuisson aux micro-ondes.

Utilisation à éviter

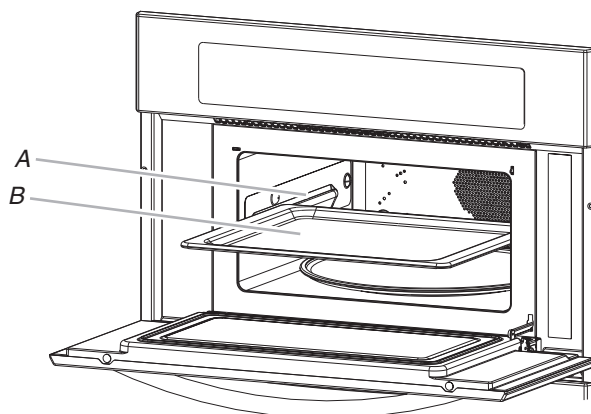
Les ustensiles de cuisson en métal, or, argent, étain, les thermomètres à viande non approuvés, les brochettes, les attaches, les doublures de papier d'aluminium telles que les emballages de sandwich, les agrafes et objets avec garniture en or ou en argent ou avec un enduit métallique ne doivent pas être utilisés dans le four à micro-ondes.

Positionnement de la plaque de cuisson

La plaque de cuisson peut uniquement être utilisée pour la cuisson par convection et la cuisson au grill (sur certains modèles). Afin d'éviter d'endommager le four à micro-ondes, ne pas utiliser la plaque de cuisson pour une cuisson standard aux micro-ondes.

Placer la plaque de cuisson sur les glissières, tel qu'illustré ci-dessous. Pousser la plaque jusqu'à la butée d'arrêt. Vérifier que la plaque de cuisson est d'aplomb.

Pour de meilleurs résultats de cuisson, utiliser uniquement la plaque de cuisson dans la position recommandée.



A. Glissière
B. Plaque de cuisson

†®STYROFOAM est une marque déposée de The Dow Chemical Company.

Puissance de cuisson des micro-ondes

De nombreuses recettes de four à micro-ondes précisent quelle puissance de cuisson doit être utilisée en indiquant un pourcentage, un adjectif ou un chiffre. Par exemple, 70 % = 7 = Moyenne-élevée.

Utiliser le tableau suivant comme guide général pour la puissance de cuisson pour des aliments spécifiques.

TABLEAU DE PUISSANCE DE CUISSON DES MICRO-ONDES

POURCENTAGE/ ADJECTIF	CHIFFRE	UTILISATION
100 %, Élevée (par défaut)	10	Chauffage rapide de plats cuisinés et aliments avec haute teneur en eau, tels que soupes, boissons et la plupart des légumes.
90 %	9	Cuisson de petits morceaux tendres de viande, viande hachée, morceaux de volaille, filets de poisson. Chauffage de soupes en crème.
80 %	8	Chauffage de riz, pâtes ou mets en sauce. Cuisson et chauffage d'aliments qui ont besoin d'une puissance de cuisson inférieure à la puissance élevée. Par exemple, poisson entier et pain de viande.
70 %, Moyenne-élevée	7	Réchauffage d'une seule portion d'aliments.
60 %	6	Cuisson d'aliments sensibles tels que les mets à base de fromage et d'œufs, pudding et crèmes. Cuisson de mets en sauce non remuables tels que les lasagnes.
50 %, Moyenne	5	Cuisson de jambon, de volaille entière et de morceaux de viande à braiser. Mijotage de ragoûts.
40 %	4	Faire fondre le chocolat. Chauffage du pain, des petits pains et pâtisseries.
30 %, Moyenne-faible, décongélation	3	Décongélation de pain, poisson, viande, volaille et aliments précuits.
20 %	2	Ramollir le beurre, le fromage et la crème glacée.
10 %, Faible	1	Mettre les fruits à température ambiante.

REMARQUE : Un pourcentage de 0 % est aussi acceptable. Le four ne chauffera pas.

Réglage d'une puissance de cuisson autre que 100 % :

1. Appuyer sur les touches numériques pour régler la durée de cuisson.
2. Appuyer sur POWER LEVEL (niveau de puissance).
3. À l'aide du tableau de puissance de cuisson pour four à micro-ondes ci-dessus, entrer le chiffre correspondant au niveau de puissance souhaité.
4. Appuyer sur START (mise en marche).

Le compte à rebours de la durée de cuisson s'affiche.

Lorsque l'heure d'arrêt est atteinte, le four s'arrête automatiquement et l'écran de fin de cuisson apparaît sur l'affichage.

Les signaux sonores de fin de programme se font entendre (si activés), suivis des signaux de rappel à intervalles d'une minute.

5. Appuyer sur CANCEL (annulation) ou ouvrir la porte pour effacer l'affichage et/ou arrêter les signaux de rappel.

Degré de cuisson

Le degré de cuisson est une fonction utilisée pour ajuster la durée de cuisson. Cette caractéristique est utilisée sur toutes les fonctions avec et sans détection à l'exception de la cuisson manuelle, maïs soufflé, EasyConvect™, réchauffage personnalisé (boissons-manuel), décongélation (manuelle), et cuisson à la vapeur (manuelle).

Les 3 niveaux de degré de cuisson sont Normal (par défaut), More (plus) ou Less (moins) et apparaîtront une fois activés sur la ligne de texte inférieure de l'afficheur du four supérieur. Le degré de cuisson peut être modifié uniquement avant le début d'un programme.

Modification du réglage du degré de cuisson :

Après avoir réglé une fonction, le réglage du degré de cuisson peut être modifié si désiré. Ceci peut être effectué avant ou après que "START?" (mise en marche) n'apparaisse sur l'afficheur. Appuyer de façon répétée sur la touche POWER LEVEL (niveau de puissance) pour faire défiler les options du degré de cuisson [Normal, More (plus) ou Less (moins)].

Cuisson par détection

La fonction de cuisson par détection est utilisée pour les fonctions de réchauffage (assiettée), cuisson à la vapeur et maïs soufflé.

Pendant une cuisson par détection, un détecteur ajuste automatiquement la durée de cuisson et le niveau de puissance. L'afficheur du four à micro-ondes présentera "Durée restante maximum" et le compte à rebours une fois que le détecteur aura identifié la durée de cuisson.

Si la porte du four à micro-ondes est ouverte pendant une fonction de détection, le four à micro-ondes s'arrêtera, et toutes les autres opérations seront annulées.

Pour un meilleur rendement de cuisson :

Avant d'utiliser une fonction de cuisson par détection, s'assurer que le four à micro-ondes est branché depuis au moins 2 minutes, que la température de la pièce n'est pas supérieure à 95°F (35°C) et que l'extérieur du contenant et la cavité du four à micro-ondes sont secs.

Cuisson manuelle

Utilisation :

1. Appuyer sur COOK TIME (durée de cuisson) puis sur les touches numériques pour régler une durée de cuisson.

OU

Appuyer sur les touches numériques pour régler la durée de cuisson. On peut régler une durée de 99 minutes et 99 secondes.

En cas d'utilisation d'une puissance de cuisson à 100 %, passer directement à l'étape 3.

2. Appuyer sur POWER LEVEL (niveau de puissance) et entrer le niveau de puissance désiré. Voir le tableau de puissance de cuisson aux micro-ondes à la section "Puissance de cuisson aux micro-ondes".

REMARQUE : La fonction Degré de cuisson n'est pas active pendant une cuisson manuelle.

3. Appuyer sur START (mise en marche).

Le compte à rebours de la durée de cuisson s'affiche.

En appuyant sur Start/Add 1 Min (mise en marche/ajouter une minute) pendant que le four à micro-ondes fonctionne, on rallonge d'une minute la durée de cuisson du programme en cours. On peut ajouter plusieurs minutes en appuyant plusieurs fois sur Start/Add 1 Min (mise en marche/ajouter une minute).

Lorsque l'heure d'arrêt est atteinte, le four s'arrête automatiquement et "Cuisson terminée" apparaît sur l'affichage du four.

Les signaux sonores de fin de programme se font entendre (si activés), suivis des signaux de rappel à intervalles d'une minute.

4. Appuyer sur CANCEL (annulation) ou ouvrir la porte pour effacer l'affichage et/ou arrêter les signaux de rappel.

Plat à croustiller - pour frire

Lorsque le plat à croustiller est utilisé avec les micro-ondes, il agit comme un poêlon à frire ou un gril, idéal pour le pain doré, les hamburgers, les oeufs, les fritures et pour faire sauter les aliments.

Avant l'utilisation, voir la section "Plat à croustiller et poignée" et le tableau d'utilisation pour friture du plat à croustiller.

Toujours utiliser l'option de plateau rotatif activé lorsqu'on utilise le plat à croustiller (réglage par défaut).

Avant l'utilisation :

Préchauffer le plat pendant 3 minutes à la puissance maximale. Utiliser une puissance de cuisson maximale.

Avant d'utiliser le plat à croustiller, le badigeonner avec une demi-cuillère à thé (3 mL) d'huile ou vaporiser avec un vaporisateur à cuisson non-adhésif. Disposer sur le plat à croustiller. Placer sur le plateau rotatif.

Utilisation :

1. Appuyer sur COOK TIME (durée de cuisson) puis sur les touches numériques pour régler une durée de cuisson.

OU

Appuyer sur les touches numériques pour régler la durée de cuisson.

REMARQUE : La fonction Degré de cuisson n'est pas active pendant une cuisson manuelle.

2. Appuyer sur START (mise en marche).

Le compte à rebours de la durée de cuisson s'affiche.

Lorsque l'heure d'arrêt est atteinte, le four s'arrête automatiquement et "cuisson terminée" apparaît sur l'affichage du four.

Les signaux sonores de fin de programme se font entendre (si activés), suivis des signaux de rappel à intervalles d'une minute.

3. Appuyer sur CANCEL (annulation) ou ouvrir la porte pour effacer l'affichage et/ou arrêter les signaux de rappel.

Utiliser le tableau suivant comme guide.

TABLEAU DU PLAT À CROUSTILLER - POUR FRIRE

ALIMENT	DURÉE DE CUISSON*	INSTRUCTIONS
Œufs, frits 2 œufs	1er côté : 30 à 45 s 2e côté : 30 à 45 s	Durée de cuisson pour œufs tournés.
4 œufs	1er côté : 1 min 2e côté : 45 s	
Omelette 4 œufs	2 à 3 min	Mélanger les œufs avec 4 cuillères à soupe d'eau.
Galettes de saucisse 1,5 oz (42,5 g) chacune 4 galettes	1er côté : 2 min 2e côté : 1 min 30 s	Température de cuisson à atteindre 160°F (70°C)
8 galettes	1er côté : 3 min 2e côté : 2 min 30 s	
Légumes, sautés à la poêle, 2 tasses (500 mL)	4 à 5 min	Couper les légumes en morceaux de taille égale. Mélanger mi-cuisson.
Noix 1 tasse (250 mL) 2 tasses (500 mL)	3 min 4 min	Mélanger mi-cuisson.

*Les durées sont approximatives et peuvent être ajustées aux goûts individuels.

Réchauffage

Les durées et puissances de cuisson ont été pré-réglées pour réchauffer plusieurs types d'aliments.

Le réchauffage manuel nécessite de régler une durée et une puissance de cuisson si on utilise une puissance de cuisson autre que 70 %.

Utiliser le tableau suivant comme guide.

TABLEAU DE RÉCHAUFFAGE

ALIMENT	CODE	QUANTITÉ
Assiettée Placer les aliments sur l'assiette. Recouvrir d'une pellicule de plastique et laisser une ouverture d'échappement de l'air. Remuer et laisser reposer 2 à 3 minutes après le réchauffage.	1	8 à 16 oz (227 à 454 g)

ALIMENT	CODE	QUANTITÉ
Mets en sauce Placer dans un récipient résistant aux micro-ondes. Recouvrir d'une pellicule de plastique et laisser une ouverture d'échappement de l'air. Remuer et laisser reposer pendant 2 à 3 minutes après le réchauffage.	2	1 à 4 tasses (250 mL à 1 L)
Boisson Ne pas couvrir.	3	1 à 4 tasses (250 à 1 L)
Pizza Placer sur une assiette résistante aux micro-ondes recouverte d'un essuie-tout.	4	1 à 3 tranches, de 3 oz (85 g) chacune
Soupe Placer dans un récipient résistant aux micro-ondes. Recouvrir d'une pellicule de plastique et laisser une ouverture d'échappement de l'air. Remuer et laisser reposer pendant 2 à 3 minutes après le réchauffage.	5	1 à 4 tasses (250 mL à 1 L)
Sauce Placer dans un récipient résistant aux micro-ondes. Recouvrir d'une pellicule de plastique et laisser une ouverture d'échappement de l'air. Remuer et laisser reposer pendant 2 à 3 minutes après le réchauffage.	6	1 à 4 tasses (250 mL à 500 mL)
Réglage manuel	7	Puissance de cuisson par défaut : 70 %

Réchauffage :

1. Appuyer sur REHEAT (réchauffage).

Appuyer sur une touche numérique pour sélectionner le type d'aliment dans le tableau de réchauffage

OU

Appuyer à plusieurs reprises sur REHEAT pour voir et choisir les réglages en fonction de l'aliment. Par exemple, pour sélectionner le réglage Mets en sauce, appuyer deux fois sur REHEAT (réchauffage).

2. Appuyer sur les touches numériques pour entrer la quantité (tranches ou tasses).

Pour modifier le réglage de degré de cuisson, appuyer sur la touche Power level (niveau de puissance), avant ou après l'affichage du message "Start?" (mise en marche), pour faire défiler les différents degrés de cuisson et choisir entre Normal, More (plus) ou Less (moins).

3. Appuyer sur START (mise en marche).

Lorsque l'heure d'arrêt est atteinte, le four s'arrête automatiquement et "Réchauffage terminé" apparaît sur l'affichage du four.

Les signaux sonores de fin de programme se font entendre (si activés), suivis des signaux de rappel à intervalles d'une minute.

4. Appuyer sur CANCEL (annulation) ou ouvrir la porte pour effacer l'affichage et/ou arrêter les signaux de rappel.

Réchauffage manuel :

1. Appuyer sur REHEAT (réchauffage).

2. Appuyer sur la touche "7".

OU

Appuyer plusieurs fois sur REHEAT (réchauffage) pour parcourir le réglage manuel.

En cas d'utilisation d'une puissance de cuisson à 70 %, passer directement à l'étape 4.

3. Appuyer sur POWER LEVEL (niveau de puissance) et entrer le niveau de puissance désiré. Voir le tableau de puissance de cuisson.
4. Appuyer sur COOK TIME (durée de cuisson).
5. Appuyer sur les touches numériques pour régler la durée de cuisson. On peut régler une durée de 99 minutes et 99 secondes.

REMARQUE : La fonction Doneness (degré de cuisson) n'est pas active pendant un réchauffage manuel.

6. Appuyer sur START (mise en marche). L'affichage du four supérieur procède à un compte à rebours de la durée de réchauffage.

Lorsque l'heure d'arrêt est atteinte, le four s'arrête automatiquement et "Réchauffage terminé" apparaît sur l'affichage du four.

Les signaux sonores de fin de programme se font entendre (si activés), suivis des signaux de rappel à intervalles d'une minute.

7. Appuyer sur CANCEL (annulation) ou ouvrir la porte pour effacer l'affichage et/ou arrêter les signaux de rappel.

Réchauffage des boissons :

1. Appuyer sur REHEAT (réchauffage).

2. Appuyer sur la touche "3".

OU

Appuyer plusieurs fois sur REHEAT (réchauffage) pour parcourir les options et sélectionner le réglage Boisson.

3. Appuyer sur les touches numériques pour entrer la quantité en tasses.
4. Appuyer sur les touches numériques 1 à 3 pour sélectionner Warm (tiède), Hot (chaud), Very Hot (très chaud),

OU

Appuyer plusieurs fois sur REHEAT (réchauffage) pour parcourir les options et sélectionner le réglage de température.

REMARQUE : La fonction Doneness (degré de cuisson) n'est pas active pour le réchauffage de boissons.

5. Appuyer sur START (mise en marche).

L'affichage du four supérieur procède à un compte à rebours de la durée de réchauffage.

Lorsque l'heure d'arrêt est atteinte, le four s'arrête automatiquement et "Réchauffage terminé" apparaît sur l'affichage du four.

Les signaux sonores de fin de programme se font entendre (si activés), suivis des signaux de rappel à intervalles d'une minute.

IMPORTANT : Les liquides chauffés peuvent éclabousser durant et après le chauffage. L'utilisation d'un ustensile en bois, placé dans la tasse ou le bol pendant le chauffage peut aider à éviter ces éclaboussures.

6. Appuyer sur CANCEL (annulation) ou ouvrir la porte pour effacer l'affichage et/ou arrêter les signaux de rappel.

Décongélation

On peut utiliser la caractéristique Décongélation ou régler manuellement le four à micro-ondes pour la décongélation à une puissance de cuisson de 30 %.

- Pour des résultats optimaux, la température de l'aliment doit être inférieure ou égale à 0°F (-18°C) lors de la décongélation.
- Débarrasser les aliments et enlever les couvercles (des jus de fruit) avant la décongélation.
- Les paquets peu épais décongèlent plus rapidement que les blocs épais.
- Séparer les morceaux d'aliments le plus tôt possible durant ou à la fin du programme pour une décongélation plus uniforme.
- Les aliments laissés hors du congélateur pendant plus de 20 minutes ou les plats préparés surgelés ne doivent pas être décongelés en utilisant la caractéristique Décongélation mais doivent être décongelés manuellement.
- Utiliser de petits morceaux de papier d'aluminium pour protéger les aliments tels que les ailes et pilons de poulet et les queues de poisson. Voir d'abord "Papier d'aluminium et métal".
- Les durées et puissances de cuisson ont été pré-réglées pour la décongélation de différents types d'aliments.
- La décongélation manuelle nécessite de régler une durée et une puissance de cuisson si on utilise une puissance de cuisson autre que 30 %.

Utiliser le tableau suivant comme guide.

TABLEAU DE DÉCONGÉLATION

ALIMENT	CODE	POIDS
Volaille*	1	0,1 – 6,6 lb (45 g – 3 kg)
Viandes*	2	0,1 – 6,6 lb (45 g – 3 kg)
Poisson*	3	0,1 – 6,6 lb (45 g – 3 kg)
Pain	4	0,1 – 2 lb (45 g - 907 g)
Jus	5	6, 12 ou 16 oz (177, 355 ou 473 mL)
Réglage manuel	6	Puissance de cuisson par défaut : 30 %

*Voir le tableau de préparation pour décongélation à la fin de la section "Décongélation" pour les types de coupes, dimensions et instructions.

Pour décongeler :

1. Appuyer sur DEFROST (décongélation).
2. Appuyer sur la touche numérique du tableau de décongélation pour sélectionner l'aliment

OU

Appuyer à plusieurs reprises sur DEFROST pour faire défiler la liste des aliments. Par exemple, pour sélectionner le réglage Viandes, appuyer deux fois sur DEFROST (décongélation).

3. Appuyer sur les touches numériques pour entrer le poids. Pour modifier le réglage de degré de cuisson, appuyer sur la touche Power Level (niveau de puissance), avant ou après l'affichage du message "Start?" (mise en marche), pour faire défiler les différents degrés de cuisson et choisir entre Normal, More (plus) ou Less (moins).
4. Appuyer sur START (mise en marche).

L'affichage du four supérieur procède à un compte à rebours de la durée de décongélation. Pour de meilleurs résultats, un temps de pause pré-réglé est compris dans la durée de décongélation. Cette action peut faire sembler le temps de décongélation plus long que prévu.

Lorsque l'heure d'arrêt est atteinte, le four s'arrête automatiquement et "Décongélation terminée" apparaît sur l'affichage.

Les signaux sonores de fin de programme se font entendre (si activés), suivis des signaux de rappel à intervalles d'une minute.

5. Appuyer sur CANCEL (annulation) ou ouvrir la porte pour effacer l'affichage et/ou arrêter les signaux de rappel.

Décongélation manuelle :

1. Appuyer sur DEFROST (décongélation).
2. Appuyer sur la touche "6".

OU

Appuyer plusieurs fois sur DEFROST (décongélation) pour parcourir le réglage manuel.

En cas d'utilisation d'une puissance de cuisson à 30 %, passer directement à l'étape 3.

3. Appuyer sur POWER LEVEL (niveau de puissance) et entrer le niveau de puissance désiré. Voir le tableau de puissance de cuisson.
4. Appuyer sur COOK TIME (durée de cuisson).
5. Appuyer sur les touches numériques pour régler la durée de décongélation. On peut régler une durée de 99 minutes et 99 secondes.

REMARQUE : La fonction Degré de cuisson n'est pas active pendant la décongélation manuelle.

6. Appuyer sur START (mise en marche). L'affichage du four supérieur procède à un compte à rebours de la durée de décongélation.

Lorsque l'heure d'arrêt est atteinte, le four s'arrête automatiquement et "Décongélation terminée" apparaît sur l'affichage du four.

Les signaux sonores de fin de programme se font entendre (si activés), suivis des signaux de rappel à intervalles d'une minute.

7. Appuyer sur CANCEL (annulation) ou ouvrir la porte pour effacer l'affichage et/ou arrêter les signaux de rappel.

Utiliser le tableau suivant comme guide lors de la décongélation de la viande, de la volaille ou du poisson.

TABLEAU DE PRÉPARATION DE DÉCONGÉLATION

VIANDE

<i>Bœuf</i> : haché, biftecks, rôti, ragoût	Les sections étroites ou grasses des morceaux de forme irrégulière doivent être recouvertes de papier d'aluminium avant la décongélation.
<i>Agneau</i> : ragoût et côtelettes	
<i>Porc</i> : côtelettes, côtes, rôtis, saucisses	Ne pas décongeler moins de ¼ lb (113 g) ou moins de deux galettes de 4 oz (113 g). Placer toutes les viandes dans un plat de cuisson allant au micro-ondes.

VOLAILLE

<i>Poulet</i> : entier et en morceaux	Placer dans un plat de cuisson allant au micro-ondes, la poitrine de poulet vers le haut.
<i>Poulets de Cornouailles</i>	
<i>Dinde</i> : poitrine	Enlever les abats du poulet entier.

POISSON

<i>Filets, darnes, entier, crustacés</i>	Placer dans un plat de cuisson allant au four à micro-ondes.
--	--

Cuisson à la vapeur

La cuisson à la vapeur est une fonction de cuisson par détection qui utilise les micro-ondes pour cuire les aliments à la vapeur. Toujours utiliser un cuiseur-vapeur. Voir la section "Cuiseur-vapeur KitchenAid™" avant utilisation. Utiliser la cuisson à la vapeur pour les aliments tels que les légumes, le poisson et les pommes de terre.

- Les durées et puissances de cuisson ont été pré-réglées pour cuire à la vapeur plusieurs types d'aliments.
- La cuisson à la vapeur manuelle nécessite de régler une durée de cuisson.
- Il est recommandé d'ajouter ½ tasse (125 mL) d'eau au cuiseur-vapeur avant de démarrer la cuisson.

Utiliser le tableau suivant comme guide.

TABLEAU DE CUISSON À LA VAPEUR

ALIMENT	CODE	QUANTITÉ
Pommes de terre	1	2 à 6 tasses (500 mL à 1,5 L)
Légumes frais	2	2 à 6 tasses (500 mL à 1,5 L)
Légumes surgelés	3	2 à 6 tasses (500 mL à 1,5 L)
Darne	4	8 à 16 oz (227 à 454 g)
Crevettes	5	5 à 10 oz (142 à 283 g)
Réglage manuel	6	Détection

Cuisson à la vapeur :

1. Appuyer sur STEAM COOK (cuisson à la vapeur).
2. Appuyer sur une touche numérique pour sélectionner le type d'aliment dans le tableau de cuisson à la vapeur

OU

Appuyer plusieurs fois sur STEAM COOK pour parcourir les options et choisir le type d'aliment. Par exemple, pour sélectionner le réglage Légumes frais, appuyer deux fois sur Steam Cook.

Pour modifier le réglage de degré de cuisson, appuyer sur la touche Power (mise sous tension), avant ou après l'affichage du message "Start?" (mise en marche), pour faire défiler les différents degrés de cuisson et choisir entre Normal, More (plus) ou Less (moins).

3. Appuyer sur START (mise en marche). L'affichage du four supérieur démarre le compte à rebours de la cuisson à la vapeur une fois que le détecteur a identifié la durée de cuisson.

Lorsque la durée de cuisson à la vapeur est écoulée, le four s'arrête automatiquement et "Cuisson à la vapeur terminée" apparaît sur l'affichage.

Les signaux sonores de fin de programme se font entendre (si activés), suivis des signaux de rappel à intervalles d'une minute.

4. Appuyer sur CANCEL (annulation) ou ouvrir la porte pour effacer l'affichage et/ou arrêter les signaux de rappel.

Cuisson à la vapeur manuelle :

1. Appuyer sur STEAM COOK (cuisson à la vapeur).
2. Appuyer sur la touche "6".

OU

Appuyer plusieurs fois sur STEAM COOK pour parcourir les options et sélectionner le réglage de cuisson à la vapeur manuelle.

3. Appuyer sur les touches numériques pour programmer la durée de cuisson à la vapeur. On peut régler une durée de 99 minutes et 99 secondes.

REMARQUE : La fonction Degré de cuisson n'est pas active pendant une cuisson à la vapeur manuelle.

4. Appuyer sur START (mise en marche).

Une fois que le point d'ébullition est atteint, l'affichage du four supérieur démarre le compte à rebours de la durée de cuisson à la vapeur.

Lorsque l'heure d'arrêt est atteinte, le four s'arrête automatiquement et "Cuisson à la vapeur terminée" apparaît sur l'affichage.

Les signaux sonores de fin de programme se font entendre (si activés), suivis des signaux de rappel à intervalles d'une minute.

5. Appuyer sur CANCEL (annulation) ou ouvrir la porte pour effacer l'affichage et/ou arrêter les signaux de rappel.

Maïs soufflé

- Ne pas utiliser de sachets de papier ordinaire ou d'articles en verre.
- Ne préparer qu'1 sac de maïs à éclater à la fois.
- Suivre les instructions du fabricant lors de l'utilisation de l'éclateur de maïs pour four à micro-ondes.
- Attendre que l'éclatement ralentisse à 1 éclatement toutes les 1 ou 2 secondes, puis mettre fin au programme. Ne pas essayer de faire éclater les grains qui n'ont pas éclaté la première fois.
- Pour de meilleurs résultats, utiliser des sachets de maïs soufflé frais.
- Les résultats de cuisson peuvent varier en fonction de la marque et de la teneur en matières grasses.
- Les tailles de sachets recommandées sont les suivantes : 3,5 oz, 3 oz, et 1,75 oz.

REMARQUE : Suivre les instructions fournies par le fabricant de maïs soufflé pour four à micro-ondes.

Pour faire éclater le maïs

1. Appuyer sur POPCORN (maïs soufflé).
REMARQUE : La fonction Degré de cuisson n'est pas active pour le réglage de maïs soufflé.
2. Appuyer sur START (mise en marche).
Lorsque l'heure d'arrêt est atteinte, le four s'arrête automatiquement et "Cuisson terminée" apparaît sur l'affichage.

Les signaux sonores de fin de programme se font entendre (si activés), suivis des signaux de rappel à intervalles d'une minute.
3. Appuyer sur CANCEL (annulation) ou ouvrir la porte pour effacer l'affichage et/ou arrêter les signaux de rappel.

Garder les aliments au chaud

AVERTISSEMENT

Risque d'empoisonnement alimentaire

Ne pas laisser des aliments dans un four plus d'une heure avant ou après la cuisson.

Le non-respect de cette instruction peut causer un empoisonnement alimentaire ou une maladie.

Les aliments cuits chauds peuvent être gardés chauds dans le four à micro-ondes.

- Couvrir les assiettes de nourriture.
- Couvrir les aliments qui étaient couverts lors de la cuisson.
- Ne pas couvrir les produits de boulangerie tels que pâtisseries, tartes, chaussons, etc.

Pour garder les aliments au chaud :

1. Appuyer sur COOK TIME (durée de cuisson) puis sur les touches numériques pour programmer une durée de maintien au chaud

OU

Appuyer sur les touches numériques pour régler une durée de maintien au chaud.

2. Appuyer sur POWER LEVEL (niveau de puissance).

3. Appuyer sur la touche numérique "1" pour régler la puissance de cuisson à 10 %.

REMARQUE : La fonction Degré de cuisson n'est pas active pendant une cuisson manuelle.

4. Appuyer sur START (mise en marche).

L'affichage présente le compte à rebours de la durée de maintien au chaud.

Lorsque l'heure d'arrêt est atteinte, le four s'arrête automatiquement et "Cuisson terminée" apparaît sur l'affichage.

Les signaux sonores de fin de programme se font entendre (si activés), suivis des signaux de rappel à intervalles d'une minute.

5. Appuyer sur CANCEL (annulation) ou ouvrir la porte pour effacer l'affichage et/ou arrêter les signaux de rappel.

Faire croustiller

La caractéristique de consistance croustillante utilise l'élément de cuisson au gril et les micro-ondes pour brunir et rendre croustillants les aliments. La fonction de consistance croustillante peut être utilisée pour saisir les viandes et les légumes, frire le bacon et les œufs et pour rendre croustillantes et brunes les pizzas et les frites. Toujours utiliser le plat à croustiller. Voir la section "Plat à croustiller et poignée" avant utilisation.

- Le plat à croustiller deviendra très chaud. Utiliser des mitaines de four ou la poignée amovible pour manipuler et retirer le plat du four.
- Ne pas placer le plat à croustiller chaud directement sur des surfaces non-résistantes à la chaleur. Des dommages peuvent survenir.
- Ne pas utiliser d'ustensiles en plastique dans le plat à croustiller; il devient rapidement très chaud et pourrait faire fondre les ustensiles.
- Ne pas utiliser d'ustensiles métalliques; ils risquent d'égratigner le plat.
- Ne pas utiliser le plat dans tout autre four à micro-ondes ou dans un four thermique standard.
- Ne pas placer le plat à croustiller sur une grille de convection ou une plaque de cuisson. Toujours utiliser le plateau rotatif comme support du plat.
- Toujours utiliser l'option de plateau rotatif activé lorsqu'on fait croustiller les aliments (réglage par défaut).

Cuisson pour consistance croustillante :

Avant la cuisson pour consistance croustillante, badigeonner le plat à croustiller avec une demi-cuillerée à thé (3 mL) d'huile ou vaporiser avec un vaporisateur à cuisson non adhésif. Pour de meilleurs résultats, le plat doit être préchauffé pendant 3 minutes. Disposer l'aliment sur le plat à croustiller et placer le plat sur le plateau rotatif.

1. Appuyer sur CRISP (faire croustiller).

Le message "Utiliser le plat à croustiller" apparaît momentanément sur l'affichage pour rappeler à l'utilisateur d'utiliser le plat à croustiller.

2. Appuyer sur les touches numériques pour régler la durée de cuisson en minutes et en secondes. On peut régler une durée de 99 minutes et 99 secondes.

3. Appuyer sur START (mise en marche).

L'affichage du four supérieur procède à un compte à rebours de la durée de cuisson pour consistance croustillante.

Lorsque l'heure d'arrêt est atteinte, le four s'arrête automatiquement et "Cuisson terminée" apparaît sur l'affichage.

Les signaux sonores de fin de programme se font entendre (si activés), suivis des signaux de rappel à intervalles d'une minute.

4. Appuyer sur CANCEL (annulation) ou ouvrir la porte pour effacer l'affichage et/ou arrêter les signaux de rappel.

Utiliser le tableau suivant comme guide.

TABLEAU DE CUISSON POUR CONSISTANCE CROUSTILLANTE

ALIMENT	DURÉE DE CUISSON* (MINUTES)	PROCÉDURE
Bacon, 4 tranches	1er côté : 3:00 2e côté : 1:45	Placer dans le plat à croustiller sur une seule couche
Frites, congelées 2 portions	1er côté : 5:00 2e côté : 2:00	Placer dans le plat à croustiller sur une seule couche
Poitrine de poulet sans os, 2 morceaux	1er côté : 4:00 2e côté : 3:00	5 à 6 oz (142-170 g) chacun
Galettes de steak haché, 2	1er côté : 3:30 2e côté : 2:00	4 oz (113 g) chacune ½" (1,3 cm) d'épaisseur
Pizza surgelée (pâte fine)	8:00-9:00	

*Les durées sont approximatives et peuvent être ajustées aux goûts individuels.

Soften/Melt (ramollir/faire fondre)

Les fonctions pour ramollir et faire fondre peuvent être utilisées pour ramollir ou faire fondre vos aliments. Les durées et puissances de cuisson ont été préréglées pour plusieurs types d'aliments. Utiliser le tableau suivant comme guide.

TABLEAU POUR RAMOLLIR

ALIMENT	CODE	QUANTITÉ	PROCÉDURE
Beurre	1	½-2 bâtonnets	Déballer et placer dans un récipient résistant aux micro-ondes.
Margarine	2	½-2 bâtonnets	
Crème glacée	3	16, 32 ou 64 oz (454, 907 g, ou 1,8 kg)	
Fromage à la crème	4	3 ou 8 oz (85 g ou 227 g)	Déballer et placer dans un récipient résistant aux micro-ondes.

Pour ramollir :

1. Appuyer sur SOFTEN OR MELT (ramollir ou faire fondre).

2. Appuyer sur la touche "2" pour sélectionner la fonction Soften (ramollir).

OU

Appuyer plusieurs fois sur SOFTEN OR MELT (ramollir ou faire fondre) pour parcourir les options et sélectionner Soften (ramollir).

3. Appuyer sur une touche numérique pour sélectionner le type d'aliment dans le tableau pour ramollir

OU

Appuyer plusieurs fois sur SOFTEN OR MELT pour parcourir les options et sélectionner les réglages d'aliment.

4. Appuyer sur les touches numériques pour entrer la quantité (poids ou bâtonnets).

Pour modifier le réglage de degré de cuisson, appuyer sur la touche Power level (niveau de puissance), avant ou après l'affichage du message "Start?" (mise en marche), pour faire défiler les différents degrés de cuisson et choisir entre Normal, More (plus) ou Less (moins).

5. Appuyer sur START (mise en marche).

L'affichage du four supérieur procède à un compte à rebours de la durée de ramollissement.

Lorsque l'heure d'arrêt est atteinte, le four s'arrête automatiquement et "Ramollissement terminé" apparaît sur l'affichage.

Les signaux sonores de fin de programme se font entendre (si activés), suivis des signaux de rappel à intervalles d'une minute.

6. Appuyer sur CANCEL (annulation) ou ouvrir la porte pour effacer l'affichage et/ou arrêter les signaux de rappel.

Utiliser le tableau suivant comme guide.

TABLEAU POUR FAIRE FONDRE

ALIMENT	CODE	QUANTITÉ	PROCÉDURE
Beurre	1	½-2 bâtonnets	Déballer l'aliment et le placer dans un récipient résistant aux micro-ondes.
Margarine	2	½-2 bâtonnets	
Chocolat	3	2, 4, 6, 8 oz (57, 113, 170, 227 g)	Couper les carrés en petits morceaux ou utiliser des pépites. Placer dans un récipient résistant aux micro-ondes.
Fromage	4	8 ou 16 oz (227 ou 454 g)	Couper en petits morceaux et placer dans un récipient résistant aux micro-ondes.
Guimauve	5	5 ou 10 oz (142 ou 283 g)	Placer dans un récipient résistant aux micro-ondes.

Pour faire fondre :

1. Appuyer sur SOFTEN OR MELT (ramollir ou faire fondre).
2. Appuyer sur la touche "1" pour sélectionner la fonction Melt (faire fondre)

OU

Appuyer plusieurs fois sur SOFTEN OR MELT pour parcourir les options et sélectionner Melt (faire fondre).

3. Appuyer sur une touche numérique pour sélectionner le type d'aliment dans le tableau pour faire fondre

OU

Appuyer plusieurs fois sur SOFTEN OR MELT pour parcourir les options et sélectionner les réglages d'aliments.

4. Appuyer sur les touches numériques pour entrer la quantité (poids ou bâtonnets).

Pour modifier le réglage de degré de cuisson, appuyer sur la touche Power (mise sous tension), avant ou après l'affichage du message "Start?" (mise en marche), pour faire défiler les différents degrés de cuisson et choisir entre Normal, More (plus) ou Less (moins).

5. Appuyer sur START (mise en marche).

L'affichage du four supérieur procède à un compte à rebours de la durée de cuisson pour faire fondre.

Lorsque l'heure d'arrêt est atteinte, le four s'arrête automatiquement et "Aliment fondu" apparaît sur l'affichage.

Les signaux sonores de fin de programme se font entendre (si activés), suivis des signaux de rappel à intervalles d'une minute.

6. Appuyer sur CANCEL (annulation) ou ouvrir la porte pour effacer l'affichage et/ou arrêter les signaux de rappel.

- Ne pas utiliser des contenants en plastique léger, des enveloppes en plastique ou des produits de papier. Tous les ustensiles de cuisine résistant à la chaleur ou les ustensiles en métal peuvent être utilisés lors de la cuisson par convection. Les tôles à pizza circulaires sont d'excellents ustensiles de cuisson pour la cuisson par convection.
- Utiliser la cuisson par convection pour les articles tels que les soufflés, pains, biscuits, gâteaux des anges, pizza et la plupart des viandes et poissons.
- Toutes les fonctions EasyConvect™ nécessitent un préchauffage préalable. Placer les aliments dans le four à micro-ondes après le préchauffage.

La conversion EasyConvect™ est une fonction qui convertit une durée de cuisson et une température au four thermique standard en durée de cuisson et température idéales pour la cuisson par convection une fois le four préchauffé.

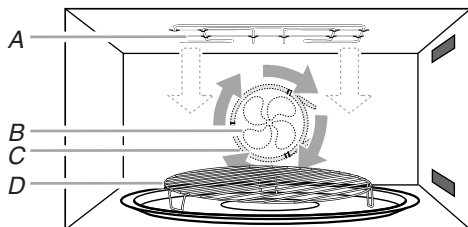
Les températures et durées par convection sont différentes de celles de la cuisson standard. Le four peut réduire automatiquement les températures et les durées de cuisson des recettes standard pour la cuisson par convection.

La conversion peut ne pas être exacte car les aliments sont regroupés en catégories générales. Utiliser le tableau suivant comme guide.

TABLEAU DE CONVECTION

RÉGLAGE	ALIMENTS	CODE
PRODUITS DE BOULANGERIE	Biscuits, pains : à cuisson rapide, à levure	1
	Gâteaux et biscuits	
	Plats en sauce : y compris les plats surgelés et les soufflés	
	Darne	
VIANDES	Pommes de terre au four	2
	Poulet : entier et en morceaux	
	Pain de viande	
	Rôtis : porc, Bœuf et jambon	
	*Les dindes et les grosses volailles ne sont pas mentionnées car leur durée de cuisson est variable.	
AUTRES ALIMENTS	Plats cuisinés : frites, pépites, bâtonnets de poisson, pizza	3
	Tartes : fruits et flan	

Conversion EasyConvect™



- A. Élément de cuisson au grill
B. Ventilateur de convection
C. Élément de convection
D. Grille de convection

La cuisson par convection utilise l'élément de convection, l'élément de cuisson au grill et le ventilateur. L'air chaud circule dans tout le four par le ventilateur. L'air constamment en mouvement entoure l'aliment pour chauffer rapidement la portion extérieure.

- La fonction de convection peut être utilisée pour faire cuire de petites quantités d'aliments sur une seule grille.
- Toujours utiliser la grille de convection placée sur le plateau rotatif ou la plaque de cuisson.
- Toujours utiliser l'option de plateau rotatif activé lorsqu'on utilise la cuisson par convection avec la grille de convection (réglage par défaut).
- Ne pas couvrir le plateau rotatif, la grille de convection ou la plaque de cuisson avec du papier d'aluminium.

Utilisation :

1. Placer la grille de cuisson par convection sur le plateau rotatif dans le four à micro-ondes ou placer la plaque de cuisson sur les glissières et fermer la porte.
2. Appuyer sur la fonction EASYCONVECT™.
3. Appuyer sur une touche numérique pour sélectionner la catégorie d'aliment dans le tableau de convection

OU

Appuyer plusieurs fois sur la fonction EASYCONVECT™ pour parcourir les options et choisir la catégorie d'aliment. Par exemple, pour sélectionner le réglage Viandes, appuyer deux fois sur EasyConvect™.

4. Appuyer sur les touches numériques pour programmer une température standard. La température peut être réglée entre 170°F et 450°F (77°C et 232°C).

5. Appuyer sur les touches numériques pour régler une durée de cuisson standard. On peut régler une durée de 11 heures et 59 minutes.

REMARQUE : La fonction Degré de cuisson n'est pas active lorsque EasyConvect™ fonctionne.

6. Appuyer sur START (mise en marche). "Préchauffage" et "Faible" apparaissent sur l'affichage du four supérieur. Une fois que la température a atteint 170°F (77°C), "Faible" est remplacé par la température augmentée. La durée et la température sont automatiquement converties pour une cuisson par convection.

Lorsque le préchauffage est terminé, 2 signaux sonores retentissent; l'affichage indique la température programmée et le message "Insérer aliment".

7. Placer les aliments ou les ustensiles de cuisson au four sur la grille de convection ou sur la plaque de cuisson et fermer la porte.
8. Appuyer sur START (mise en marche). L'affichage du four supérieur démarre le compte à rebours de la durée de cuisson et présente la température de cuisson par convection.

Lorsque l'heure d'arrêt est atteinte, le four s'arrête automatiquement et "Cuisson terminée" apparaît sur l'affichage du four.

Les signaux sonores de fin de programme se font entendre (si activés), suivis des signaux de rappel à intervalles d'une minute.

ENTRETIEN DU FOUR À MICRO-ONDES ENCASTRÉ

Nettoyage général

IMPORTANT : Avant le nettoyage, s'assurer que toutes les commandes sont désactivées et que le four à micro-ondes est froid. Toujours suivre les instructions figurant sur les étiquettes des produits de nettoyage.

Du savon, de l'eau et un chiffon doux ou une éponge sont recommandés à moins d'indication contraire.

ACIER INOXYDABLE (sur certains modèles)

REMARQUE : Afin d'éviter d'endommager les surfaces en acier inoxydable, ne pas utiliser de tampons à récurer savonneux, de nettoyeurs abrasifs, de crème à polir pour table de cuisson, de tampons en laine d'acier, de chiffons de lavage rêches ou d'essuie-tout abrasifs. Les surfaces en acier inoxydable pourraient subir des dommages, même en cas d'utilisation limitée ou non renouvelée.

Frotter dans la direction du grain pour éviter les dommages.

Méthode de nettoyage :

- Nettoyeur pour acier inoxydable affresh®. Pièce numéro W10355016 (non comprise) : Voir la section "Assistance ou service" pour commander.
- Détergent liquide ou nettoyant tout usage : Rincer à l'eau propre et sécher avec un chiffon doux sans charpie.
- Vinaigre pour les taches d'eau dure.

EXTÉRIEUR DE LA PORTE DU FOUR À MICRO-ONDES

Méthode de nettoyage :

- Nettoyeur à vitre et chiffon doux ou éponge : Appliquer le nettoyeur à vitre sur un chiffon doux ou une éponge, et non pas directement sur le tableau.
- Nettoyeur pour appareils ménagers de cuisine affresh® Pièce numéro W10355010 (non comprise) : Voir la section "Assistance ou service" pour commander.

CAVITÉ DU FOUR À MICRO-ONDES

Afin d'éviter d'endommager la cavité du four à micro-ondes, ne pas utiliser de tampons à récurer savonneux, de nettoyeurs abrasifs, de tampons en laine d'acier, de chiffons de lavage rêches ou certains essuie-tout.

Sur les modèles en acier inoxydable, frotter dans le sens du grain pour éviter d'endommager le fini.

La zone de contact de la porte et du cadre du four quand la porte est fermée doit être maintenue propre.

Méthode de nettoyage :

Saleté moyenne

- Savons et détergents doux, non abrasifs : Rincer à l'eau propre et sécher avec un chiffon doux sans charpie.

Saleté intense

- Savons et détergents doux, non abrasifs : Faire chauffer une tasse (250mL) d'eau pendant 2 à 5 minutes dans le four. La vapeur amollira la saleté. Rincer à l'eau propre et sécher avec un chiffon doux sans charpie.

Odeurs

- Jus de citron ou vinaigre : Faire chauffer une tasse (250 mL) d'eau avec 1 c. à soupe (15 mL) de jus de citron ou de vinaigre pendant 2 à 5 minutes dans le four.

PLAFOND DU FOUR À MICRO-ONDES

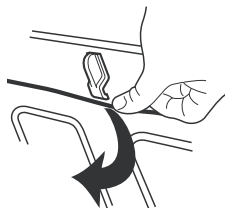
L'élément de cuisson au gril ne nécessite pas un nettoyage sachant que la chaleur intense brûle toute projection de nourriture. Cependant, le plafond au-dessus de l'élément de cuisson au gril nécessite un nettoyage régulier.

Méthode de nettoyage :

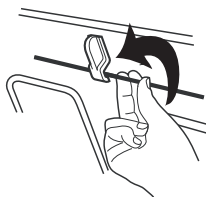
- Eau tiède, détergent doux et une éponge.

Nettoyage :

1. Pousser doucement le cordon de fixation vers l'arrière du plafond puis l'abaisser pour dégager l'élément de cuisson au gril.



2. Abaisser l'avant de l'élément de cuisson au gril pour accéder au plafond et nettoyer.
3. Soulever à nouveau l'élément de cuisson au gril puis réinstaller le cordon de fixation à son emplacement d'origine.



Toujours remettre l'élément de cuisson au gril en position pour la cuisson après le nettoyage.

PLATEAU ROTATIF

Remettre le plateau rotatif en place immédiatement après le nettoyage. Ne pas faire fonctionner le four à micro-ondes lorsque le plateau rotatif est enlevé.

Méthode de nettoyage :

- Nettoyant doux et tampon à récurer
- Lave-vaisselle

GRILLE

- Tampon en laine d'acier
- Lave-vaisselle

PLAT À CROUSTILLER

Afin d'éviter d'endommager le plat brunisseur, ne pas l'immerger ou le rincer sous l'eau tant que le plat à croustiller est encore chaud. Ne pas utiliser de tampons en laine d'acier.

Méthode de nettoyage :

- Eau tiède, détergent doux et une éponge. Les zones très sales peuvent être nettoyées avec un tampon à récurer et un nettoyant doux.
- Lave-vaisselle

PLAQUE DE CUISSON

- Lave-vaisselle

CUISEUR-VAPEUR

- Lave-vaisselle

SUPPORT ET ROULETTES DU PLATEAU ROTATIF, AXE ET POIGNÉE DU PLAT À CROUSTILLER

- Lave-vaisselle

DÉPANNAGE

Essayer les solutions suggérées ici d'abord afin d'éviter le coût d'une visite de service inutile.

Rien ne fonctionne

- **Un fusible est-il grillé ou le disjoncteur s'est-il déclenché?**
Remplacer le fusible ou réenclencher le disjoncteur. Si le problème persiste, appeler un électricien.
- **L'appareil est-il correctement raccordé?**
Voir les Instructions d'installation.

Le four à micro-ondes ne fonctionne pas

- **La porte est-elle bien fermée?**
Bien fermer la porte.
- **La commande électronique du four est-elle correctement réglée?**
Voir la section "Commande électronique du four".
- **Sur certains modèles, le verrouillage des commandes est-il réglé?**
Voir la section "Verrouillage des commandes".

- **Sur les modèles de fours combinés, le four inférieur est-il en train d'effectuer un programme d'autonettoyage?**
Le four supérieur ne fonctionnera pas durant le programme d'autonettoyage du four inférieur.
- **Le magnétron fonctionne-t-il correctement?**
Faire chauffer une tasse (250 mL) d'eau froide pendant 2 minutes à la puissance de cuisson maximale. Si l'eau ne chauffe pas, faire un appel de service. Voir la section "Assistance ou service".

Le four à micro-ondes bourdonne

- Ceci est normal et se produit lorsque le transformateur dans le magnétron se met en marche.

La porte du four à micro-ondes semble gondolée

- Ceci est normal et n'affecte pas la performance.

Le plateau rotatif ne fonctionne pas

■ Le plateau rotatif est-il bien en place?

S'assurer que le plateau rotatif est à l'endroit et repose bien sur son support.

■ Le support du plateau rotatif fonctionne-t-il correctement?

Retirer le plateau rotatif. Retirer et nettoyer le support du plateau rotatif et les roulettes. Réinstaller le support du plateau rotatif. Réinstaller le plateau rotatif. Placer une tasse (250 mL) d'eau sur le plateau rotatif, puis remettre le four à micro-ondes en marche. S'il ne fonctionne toujours pas, faire un appel de service. Voir la section "Assistance ou service". Ne pas faire fonctionner le four si le plateau rotatif et son support ne fonctionnent pas correctement.

Le plateau rotatif tourne dans les deux sens

- Ceci est normal et dépend de la rotation du moteur au début du programme.

Des messages s'affichent

■ L'afficheur indique-t-il une lettre suivie d'un chiffre?

Effacer l'affichage. Voir la section "Affichage(s)". S'il réapparaît, faire un appel de service. Voir la section "Assistance ou service".

L'afficheur indique le compte à rebours, mais ne fonctionne pas

- La minuterie est-elle en cours d'utilisation?
Voir la section "Minuterie".

Les signaux sonores ne retentissent pas

- Les signaux sonores sont-ils désactivés?
Voir la section "Signaux sonores".

La ventilateur continue à fonctionner une fois la cuisson terminée

- En fonction de la température de la cavité du four à micro-ondes à l'issue d'un programme de cuisson, il est possible que le ventilateur de refroidissement continue à fonctionner pendant un certain temps afin de refroidir le four à micro-ondes. Il est aussi possible que le plateau rotatif continue à tourner et que la lampe reste allumée pendant cette période. Ceci est normal. On peut ouvrir la porte à n'importe quel moment pour ajouter ou retirer des aliments et/ou pour démarrer un autre programme de cuisson.

De la fumée sort de l'évent du four lors de la cuisson pour croustiller

- Un dégagement de fumée est normal et se produit tout comme pour la cuisson pour croustiller traditionnelle.

Étincelles pendant la cuisson pour croustiller

- Ceci est normal et se produit lorsque la graisse de la cuisson précédente brûle. Les étincelles cesseront une fois que la graisse sera complètement brûlée.

Les durées de cuisson semblent trop longues

- La puissance de cuisson est-elle bien réglée?
Voir la section "Puissance de cuisson aux micro-ondes".
- Chauffe-t-on de grosses quantités d'aliments?
Les quantités plus grandes d'aliments nécessitent des durées de cuisson plus longues.
- La tension d'alimentation est-elle inférieure à celle indiquée dans "Spécifications électriques"?
Faire vérifier le système électrique du domicile par un électricien qualifié.

Interférences avec la radio ou le téléviseur

- Le four à micro-ondes est-il branché sur la même prise?
Essayer une prise différente.
- La radio ou le téléviseur se trouvent-ils près du four à micro-ondes?
Éloigner l'appareil du four à micro-ondes ou ajuster l'antenne de la radio ou du téléviseur.
- La porte du four à micro-ondes et les surfaces d'étanchéité sont-elles propres?
S'assurer que ces zones sont propres.

ASSISTANCE OU SERVICE

Avant de faire un appel pour assistance ou service, veuillez vérifier la section "Dépannage". Cette vérification peut vous faire économiser le coût d'une visite de service. Si vous avez encore besoin d'aide, suivez les instructions ci-dessous.

Lors d'un appel, veuillez connaître la date d'achat, le numéro de modèle et le numéro de série au complet de l'appareil. Ces renseignements nous aideront à mieux répondre à votre demande.

Si vous avez besoin de pièces de rechange

Si vous avez besoin de commander des pièces de rechange, nous vous recommandons d'employer uniquement des pièces spécifiées par l'usine. Les pièces spécifiées par l'usine conviendront et fonctionneront bien parce qu'elles sont fabriquées avec la même précision que celle utilisée dans la fabrication de chaque nouvel appareil KITCHENAID®.

Pour savoir où trouver des pièces spécifiées par l'usine dans votre région, nous appelons ou contactons le centre de service désigné par KitchenAid le plus proche.

Aux États-Unis

Veuillez appeler sans frais le Centre pour l'eXpérience de la clientèle de KitchenAid au : **1-800-422-1230** ou visitez notre site web à www.kitchenaid.com.

Nos consultants sont prêts à vous aider pour les questions suivantes :

- Caractéristiques et spécifications sur toute notre gamme d'appareils électroménagers.
- Renseignements d'installation.
- Procédés d'utilisation et d'entretien.
- Vente de pièces de rechange et d'accessoires.
- Assistance spécialisée aux consommateurs (langue espagnole, malentendants, malvoyants, etc.).
- Références aux marchands locaux, distributeurs de pièces de rechange et compagnies de service. Les techniciens de service désignés par KitchenAid sont formés pour effectuer les travaux de réparation sous garantie et le service après la garantie, partout aux États-Unis.

Pour localiser la compagnie de service désignée par KitchenAid dans votre région, vous pouvez aussi consulter les Pages jaunes de l'annuaire téléphonique.

Pour plus d'assistance

Si vous avez besoin de plus d'assistance, vous pouvez soumettre par écrit toute question ou préoccupation à KitchenAid à l'adresse suivante :

KitchenAid Brand Home Appliances
Customer eXperience Center
553 Benson Road
Benton Harbor, MI 49022-2692

Veuillez inclure dans votre correspondance un numéro de téléphone où l'on peut vous joindre dans la journée.

Accessoires

Accessoires É.-U.

Pour commander des accessoires, téléphoner sans frais au Centre pour l'eXpérience de la clientèle de KitchenAid au **1-800-422-1230** et suivre les messages sur le menu. Ou visiter notre site Web à www.kitchenaid.com/cookingaccessories. Des appareils portatifs, ustensiles de cuisson, de cuisine, gadgets et textiles sont également proposés.

Pièces de rechange et accessoires

Plateau rotatif en verre

Pièce numéro 8205676

Support du plateau rotatif et
roulettes

Pièce numéro 8205678

Axe du plateau rotatif

Pièce numéro 8205677

Poêle à croustiller et
poignée

Pièce numéro W10187336A

Plaque de cuisson

Pièce numéro W10120486

Cuiseur vapeur

Pièce numéro 8208262RB

Grille de convection

Pièce numéro 4452220

Nettoyant pour acier inoxydable
affresh® (modèles en acier
inoxydable)

Pièce numéro W10355016

Chiffons pour acier inoxydable
affresh® (modèles en acier
inoxydable)

Pièce numéro W10355049

Nettoyant pour appareil
ménager de cuisine affresh®
Pièce numéro W10355010

Au Canada

Veuillez appeler sans frais le Centre pour l'eXpérience de la clientèle de KitchenAid Canada au : **1-800-807-6777** ou visitez notre site web à www.kitchenaid.ca.

Nos consultants vous renseigneront sur les sujets suivants :

- Caractéristiques et spécifications sur toute notre gamme d'appareils électroménagers.
- Consignes d'utilisation et d'entretien.
- Vente d'accessoires et de pièces de rechange.
- Références aux marchands locaux, aux distributeurs de pièces de rechange et aux compagnies de service. Les techniciens de service désignés par KitchenAid Canada sont formés pour remplir la garantie des produits et fournir un service après la garantie, partout au Canada.

Pour plus d'assistance

Si vous avez besoin de plus d'assistance, vous pouvez soumettre par écrit toute question ou préoccupation à KitchenAid Canada à l'adresse suivante :

Centre pour l'eXpérience de la clientèle
KitchenAid Canada
200 - 6750 Century Ave.
Mississauga, Ontario L5N 0B7

Veuillez inclure dans votre correspondance un numéro de téléphone où l'on peut vous joindre dans la journée.

GARANTIE DU FOUR ENCASTRÉ ET DU FOUR À MICRO-ONDES KITCHENAID®

GARANTIE LIMITÉE

Pendant un an à compter de la date d'achat, lorsque ce gros appareil ménager est utilisé et entretenu conformément aux instructions jointes à ou fournies avec le produit, la marque KitchenAid de Whirlpool Corporation ou Whirlpool Canada LP (ci-après désignées "KitchenAid") paiera pour les pièces spécifiées par l'usine et la main-d'œuvre pour corriger les vices de matériaux ou de fabrication. Le service doit être fourni par une compagnie de service désignée par KitchenAid. Cette garantie limitée est valide uniquement aux États-Unis ou au Canada et s'applique exclusivement lorsque l'appareil est utilisé dans le pays où il a été acheté. À l'extérieur du Canada et des 50 États des États-Unis, cette garantie limitée ne s'applique pas. Une preuve de la date d'achat original est exigée pour obtenir un service dans le cadre de la présente garantie limitée.

GARANTIE LIMITÉE DE LA DEUXIÈME À LA CINQUIÈME ANNÉE INCLUSIVEMENT SUR CERTAINS COMPOSANTS

De la deuxième à la cinquième année inclusivement à compter de la date d'achat, lorsque cet appareil ménager est utilisé et entretenu conformément aux instructions jointes à ou fournies avec le produit, KitchenAid paiera pour les pièces spécifiées par l'usine pour les composants suivants, en cas de vices de matériaux ou de fabrication :

- Élément électrique
- Pièces du système de commande à semi-conducteurs

GARANTIE LIMITÉE DE LA DEUXIÈME À LA DIXIÈME ANNÉE INCLUSIVEMENT

Sur les fours à micro-ondes seulement, de la deuxième à la dixième année inclusivement à compter de la date d'achat, lorsque ce gros appareil ménager est utilisé et entretenu conformément aux instructions jointes à ou fournies avec le produit, KitchenAid paiera pour les pièces spécifiées par l'usine pour la cavité du four en acier inoxydable et la porte intérieure si la pièce rouille de part en part du fait de vices de matériaux ou de fabrication.

ARTICLES EXCLUS DE LA GARANTIE

La présente garantie limitée ne couvre pas :

1. Les visites de service pour rectifier l'installation du gros appareil ménager, montrer à l'utilisateur comment utiliser l'appareil, remplacer ou réparer des fusibles ou rectifier le câblage ou la plomberie du domicile.
2. Les visites de service pour réparer ou remplacer les ampoules électriques de l'appareil, les filtres à air ou les filtres à eau. Les pièces consommables ne sont pas couvertes par la garantie.
3. Les réparations lorsque le gros appareil ménager est utilisé à des fins autres que l'usage unifamilial normal ou lorsque les instructions d'installation et/ou les instructions de l'opérateur ou de l'utilisateur fournies ne sont pas respectées.
4. Les dommages imputables à : accident, modification, usage impropre ou abusif, incendie, inondation, actes de Dieu, installation fautive ou installation non conforme aux codes d'électricité ou de plomberie, ou l'utilisation de pièces consommables ou de produits nettoyants non approuvés par KitchenAid.
5. Les défauts apparents, notamment les éraflures, les bosses, fissures ou tout autre dommage au fini du gros appareil ménager, à moins que ces dommages soient dus à des vices de matériaux ou de fabrication et soient signalés à KitchenAid dans les 30 jours suivant la date d'achat.
6. Les coûts associés au transport du gros appareil ménager du domicile pour réparation. Ce gros appareil ménager est conçu pour être réparé à domicile et seul le service à domicile est couvert par la présente garantie.
7. Les réparations aux pièces ou systèmes résultant d'une modification non autorisée faite à l'appareil.
8. Les frais de transport pour le service d'un produit si votre gros appareil est situé dans une région éloignée où un service d'entretien KitchenAid autorisé n'est pas disponible.
9. La dépose et la réinstallation de votre gros appareil si celui-ci est installé dans un endroit inaccessible ou n'est pas installé conformément aux instructions d'installation fournies.
10. Les gros appareils ménagers dont les numéros de série et de modèle originaux ont été enlevés, modifiés ou qui ne peuvent pas être facilement identifiés. La présente garantie est nulle si le numéro de série d'usine a été modifié ou enlevé du gros appareil ménager.

Le coût d'une réparation ou d'un remplacement dans le cadre de ces circonstances exclues est à la charge du client.

CLAUDE D'EXONÉRATION DE RESPONSABILITÉ AU TITRE DES GARANTIES IMPLICITES; LIMITATION DES RECOURS

LE SEUL ET EXCLUSIF RECOURS DU CLIENT DANS LE CADRE DE LA PRÉSENTE GARANTIE LIMITÉE CONSISTE EN LA RÉPARATION PRÉVUE CI-DESSUS. LES GARANTIES IMPLICITES, Y COMPRIS LES GARANTIES APPLICABLES DE QUALITÉ MARCHANDE ET D'APTITUDE À UN USAGE PARTICULIER, SONT LIMITÉES À UN AN OU À LA PLUS COURTE PÉRIODE AUTORISÉE PAR LA LOI. KITCHENAID N'ASSUME AUCUNE RESPONSABILITÉ POUR LES DOMMAGES FORTUITS OU INDIRECTS. CERTAINES JURIDICTIONS NE PERMETTENT PAS L'EXCLUSION OU LA LIMITATION DES DOMMAGES FORTUITS OU INDIRECTS, OU LES LIMITATIONS DE LA DURÉE DES GARANTIES IMPLICITES DE QUALITÉ MARCHANDE OU D'APTITUDE À UN USAGE PARTICULIER, DE SORTE QUE CES EXCLUSIONS OU LIMITATIONS PEUVENT NE PAS S'APPLIQUER DANS VOTRE CAS. CETTE GARANTIE VOUS CONFÈRE DES DROITS JURIDIQUES SPÉCIFIQUES ET VOUS POUVEZ ÉGALEMENT JOUIR D'AUTRES DROITS QUI PEUVENT VARIER D'UNE JURIDICTION À UNE AUTRE.

Si vous résidez à l'extérieur du Canada et des 50 États des États-Unis, contactez votre marchand KitchenAid autorisé pour déterminer si une autre garantie s'applique.

Si vous avez besoin de service, voir d'abord la section "Dépannage" du Guide d'utilisation et d'entretien. Après avoir vérifié la section "Dépannage", de l'aide supplémentaire peut être trouvée en vérifiant la section "Assistance ou service" ou en appelant KitchenAid. Aux É.-U., composer le **1-800-422-1230**. Au Canada, composer le **1-800-807-6777**.

2/09

Conservez ce manuel et votre reçu de vente ensemble pour référence ultérieure. Pour le service sous garantie, vous devez présenter un document prouvant la date d'achat ou d'installation.

Inscrivez les renseignements suivants au sujet de votre gros appareil ménager pour mieux vous aider à obtenir assistance ou service en cas de besoin. Vous devrez connaître le numéro de modèle et le numéro de série au complet. Vous trouverez ces renseignements sur la plaque signalétique située sur le produit.

Nom du marchand _____

Adresse _____

Numéro de téléphone _____

Numéro de modèle _____

Numéro de série _____

Date d'achat _____

Free Manuals Download Website

<http://myh66.com>

<http://usermanuals.us>

<http://www.somanuals.com>

<http://www.4manuals.cc>

<http://www.manual-lib.com>

<http://www.404manual.com>

<http://www.luxmanual.com>

<http://aubethermostatmanual.com>

Golf course search by state

<http://golfingnear.com>

Email search by domain

<http://emailbydomain.com>

Auto manuals search

<http://auto.somanuals.com>

TV manuals search

<http://tv.somanuals.com>