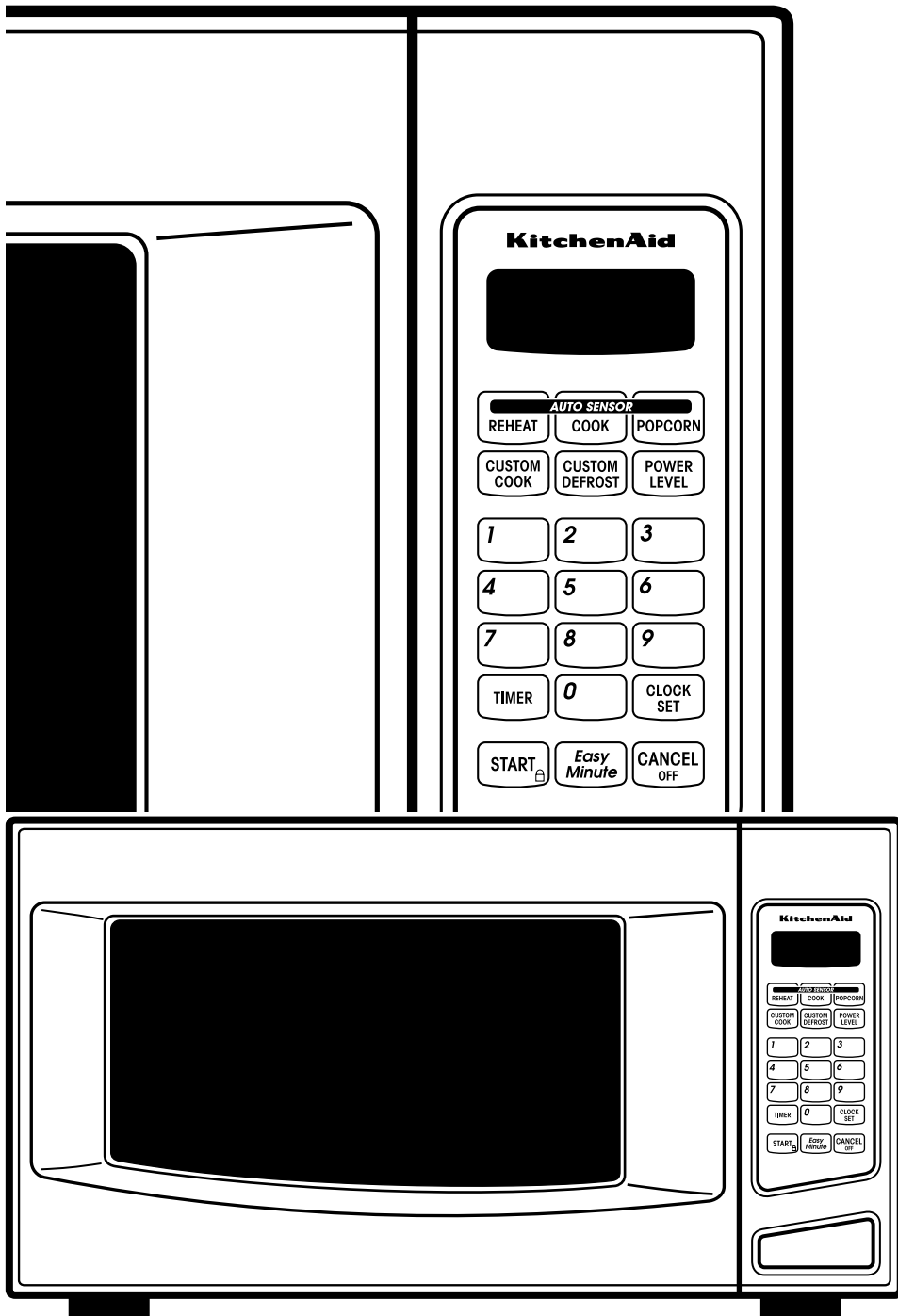


# USE & CARE GUIDE



## KitchenAid<sup>®</sup> Microwave Oven

A Note to You .....	2
Microwave Oven Safety .....	3
Installation Instructions .....	5
Getting to Know Your Microwave Oven .....	7
How your microwave oven works .....	7
Radio interference .....	7
For the best cooking results .....	7
Testing your microwave oven .....	7
Testing your dinnerware or cookware .....	8
Operating tips .....	8
Electrical connection .....	8
Microwave oven features .....	9
Control panel features .....	10
Using PERSONAL CHOICE .....	11
Built-in kits .....	11
Setting the clock .....	12
Using the minute timer .....	12
Using the cooking rack .....	12
Using Your Microwave Oven .....	13
Cooking at high cook power .....	13
Cooking at different cook powers .....	13
Cooking with more than one cook cycle .....	14
Using CUSTOM DEFROST .....	15
Defrosting tips .....	15
Using CUSTOM COOK .....	15
Using EASY START .....	16
Using KEEP WARM .....	16
Auto Sensor Cooking .....	17
Using AUTO SENSOR COOK .....	17
Auto sensor cooking chart .....	17
Using AUTO SENSOR REHEAT .....	18
Auto sensor reheating chart .....	18
Using AUTO SENSOR POPCORN .....	19
Auto sensor popcorn chart .....	19
Cooking Guide .....	20
Caring for Your Microwave Oven .....	21
Questions and Answers .....	22
Troubleshooting .....	23
Requesting Assistance or Service .....	24
Warranty .....	25

**1•800•422•1230**

Call us with questions  
or comments.

# A NOTE TO YOU

## Thank you for buying a KITCHENAID® appliance!

KitchenAid designs the best tools for the most important room in your house. To ensure that you enjoy many years of trouble-free operation, we developed this Use and Care Guide. It contains valuable information concerning how to operate and maintain your new appliance properly. Please read it carefully.

Also, please complete and mail the enclosed Product Registration Card.

## For assistance or service

Call the Customer Interaction Center toll free ..... **1-800-422-1230**

If you need assistance or service, first see the "Troubleshooting" section of this book. After checking "Troubleshooting," additional help can be found by checking the "Requesting Assistance or Service" section, or by calling the telephone number above.

When calling, you will need to know your appliance's complete model number and serial number. You can find this information on the model and serial number label/plate (see diagram in the "Getting to Know Your Microwave Oven" section.)

Keep this book and the sales slip together in a safe place for future reference. **You must provide proof of purchase or installation date for in-warranty service.**

**Model Number** \_\_\_\_\_ **Builder/Dealer Name** \_\_\_\_\_

**Serial Number** \_\_\_\_\_ **Address** \_\_\_\_\_

**Date Installed** \_\_\_\_\_ **Phone** \_\_\_\_\_

# MICROWAVE OVEN SAFETY

## Your safety and the safety of others are very important.

We have provided many important safety messages in this manual and on your appliance. Always read and obey all safety messages.



This is the safety alert symbol.

This symbol alerts you to potential hazards that can kill or hurt you and others.

All safety messages will follow the safety alert symbol and either the word "DANGER" or "WARNING." These words mean:

**⚠ DANGER**

**You can be killed or seriously injured if you don't immediately follow instructions.**

**⚠ WARNING**

**You can be killed or seriously injured if you don't follow instructions.**

All safety messages will tell you what the potential hazard is, tell you how to reduce the chance of injury, and tell you what can happen if the instructions are not followed.

## IMPORTANT SAFETY INSTRUCTIONS

When using electrical appliances basic safety precautions should be followed, including the following:

**WARNING:** To reduce the risk of burns, electric shock, fire, injury to persons or exposure to excessive microwave energy:

- Read all instructions before using the microwave oven.
- Read and follow the specific "PRECAUTIONS TO AVOID POSSIBLE EXPOSURE TO EXCESSIVE MICROWAVE ENERGY" found in this section.
- The microwave oven must be grounded. Connect only to properly grounded outlet. See "GROUNDING INSTRUCTIONS" found in the "Installation Instructions" section.
- Install or locate the microwave oven only in accordance with the installation instructions.
- Some products such as whole eggs and sealed containers – for example, closed glass jars – may explode and should not be heated in the microwave oven.
- Use the microwave oven only for its intended use as described in this manual. Do not use corrosive chemicals or vapors in the microwave oven. This type of oven is specifically designed to heat, cook, or dry food. It is not designed for industrial or laboratory use.
- As with any appliance, close supervision is necessary when used by children.
- Do not operate the microwave oven if it has a damaged cord or plug, if it is not working properly, or if it has been damaged or dropped.
- The microwave oven should be serviced only by qualified service personnel. Call an authorized service company for examination, repair or adjustment.
- Do not cover or block any openings on the microwave oven.
- Do not store the microwave oven outdoors. Do not use the microwave oven near water – for example, near a kitchen sink, in a wet basement, or near a swimming pool, and the like.
- Do not immerse cord or plug in water.
- Keep cord away from heated surfaces.
- Do not let cord hang over edge of table or counter.
- See door surface cleaning instructions in the "Caring for Your Microwave Oven" section.

**SAVE THESE INSTRUCTIONS**

continued on next page

# MICROWAVE OVEN SAFETY

## IMPORTANT SAFETY INSTRUCTIONS

- Do not operate any heating or cooking appliance beneath the microwave oven.
- Do not mount microwave oven over or near any portion of a heating or cooking appliance.
- Do not mount over a sink.
- Do not store anything directly on top of the microwave oven surface when the microwave oven is in operation.
- To reduce the risk of fire in the oven cavity:
  - Do not overcook food. Carefully attend the microwave oven if paper, plastic, or other combustible materials are placed inside the oven to facilitate cooking.
  - Remove wire twist-ties from paper or plastic bags before placing bag in oven.
  - If materials inside the oven should ignite, keep oven door closed, turn oven off, and disconnect the power cord, or shut off power at the fuse or circuit breaker panel.
  - Do not use the cavity for storage purposes. Do not leave paper products, cooking utensils, or food in the cavity when not in use.

## SAVE THESE INSTRUCTIONS

## PRECAUTIONS TO AVOID POSSIBLE EXPOSURE TO EXCESSIVE MICROWAVE ENERGY

- (a)** Do not attempt to operate this oven with the door open since open-door operation can result in harmful exposure to microwave energy. It is important not to defeat or tamper with the safety interlocks.
- (b)** Do not place any object between the oven front face and the door or allow soil or cleaner residue to accumulate on sealing surfaces.
- (c)** Do not operate the oven if it is damaged. It is particularly important that the oven door close properly and that there is no damage to the:
  - (1) door (bent),
  - (2) hinges and latches (broken or loosened),
  - (3) door seals and sealing surfaces.
- (d)** The oven should not be adjusted or repaired by anyone except properly qualified service personnel.

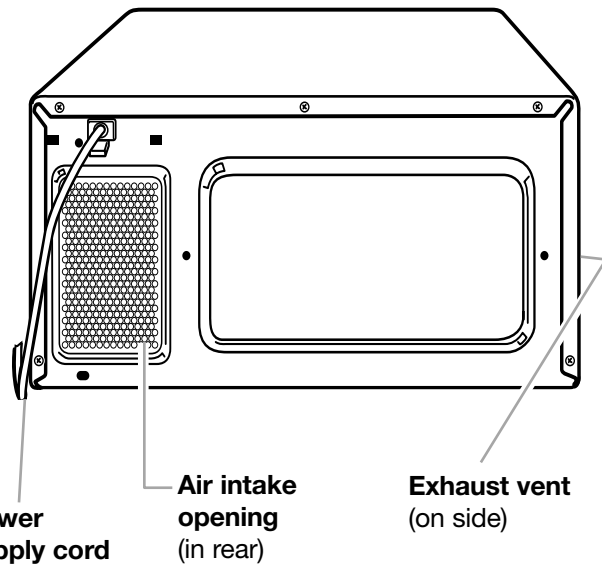
# INSTALLATION INSTRUCTIONS

Before you begin operating the oven, carefully read the following instructions.

- 1. Empty** the microwave oven and **clean** inside it with a soft, damp cloth. **Check** for damage such as a door that isn't lined up correctly, damage around the door, or dents inside the oven or on the exterior. If there is any damage, do not operate the oven until a designated service technician has checked it and made any needed repairs.
- 2. Put** the oven on a cart, counter, table, or shelf that is strong enough to hold the oven and the food and utensils you put in it. **(The control side of the unit is the heavy side. Use care when handling the oven.)** The weight of the oven is about 35 lbs (16 kg). The microwave oven should be at a temperature above 50°F (10°C) for proper operation.

**NOTE:** You can build your microwave oven into a wall or cabinet by using one of the trim kits listed in the "Built-in kits" section.

**NOTE:** Do not block the exhaust vents or air intake openings. Allow a few inches of space at the back and side of the oven where the exhaust vents are located. Blocking the exhaust vents could cause damage to the oven and poor cooking results. Make sure the microwave oven legs are in place to ensure proper airflow. If vents are blocked, a sensitive thermal safety device automatically turns the oven off. The oven should work properly once it has cooled.



Power supply cord

Air intake opening (in rear)

Exhaust vent (on side)

## Electrical requirements

Observe all governing codes and ordinances. A 120 Volt, 60 Hz, AC only, 15- or 20-amp fused electrical supply is required. (A time-delay fuse is recommended.) It is recommended that a separate circuit serving only this appliance be provided.

### ⚠ WARNING



#### Fire Hazard

Do not install the oven next to or over a heat source without a UL approved trim kit. Doing so can result in death, fire, or electrical shock.

### ⚠ WARNING



#### Electrical Shock Hazard

Plug into a grounded 3 prong outlet.  
Do not remove ground prong.  
Do not use an adapter.  
Do not use an extension cord.  
Failure to follow these instructions can result in death, fire, or electrical shock.

# INSTALLATION INSTRUCTIONS

## Electrical requirements

### GROUNDING INSTRUCTIONS

- **For all cord connected appliances:**

The microwave oven must be grounded. In the event of an electrical short circuit, grounding reduces the risk of electric shock by providing an escape wire for the electric current. The microwave oven is equipped with a cord having a grounding wire with a grounding plug. The plug must be plugged into an outlet that is properly installed and grounded.

**WARNING:** Improper use of the grounding plug can result in a risk of electric shock.

Consult a qualified electrician or serviceman if the grounding instructions are not completely understood, or if doubt exists as to whether the microwave oven is properly grounded.

Do not use an extension cord. If the power supply cord is too short, have a qualified electrician or serviceman install an outlet near the microwave oven.

- **For a permanently connected appliance:**

The microwave oven must be connected to a grounded, metallic, permanent wiring system, or an equipment grounding conductor should be run with the circuit conductors and connected to the equipment grounding terminal or lead on the microwave oven.

**SAVE THESE INSTRUCTIONS**

# GETTING TO KNOW YOUR MICROWAVE OVEN

This section discusses the concepts behind microwave cooking. It also shows you the basics you need to know to operate your microwave oven. Please read this information before you use your oven.

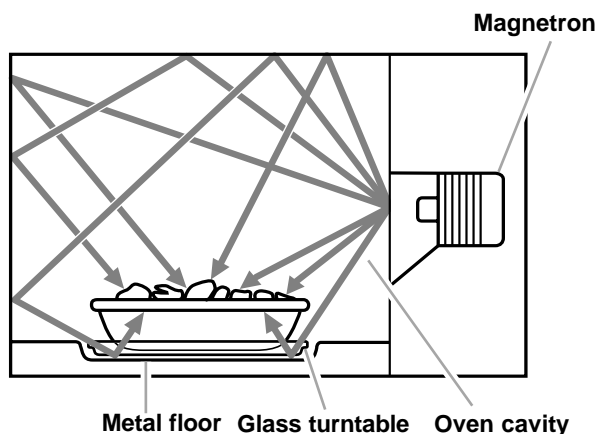
## How your microwave oven works

Microwave energy is not hot. It causes food to make its own heat, and it's this heat that cooks the food.

Microwaves are like TV waves, radio waves, or light waves. You cannot see them, but you can see what they do.

A **magnetron** in the microwave oven produces microwaves. The microwaves move into the oven where they contact food as it turns on the turntable.

Your oven has a **ULTRA WAVE™ multiple microwave distribution system**. Microwave energy is released from two locations, giving you better, more even cooking.



The **glass turntable** of your microwave oven lets microwaves pass through. Then they bounce off a metal floor, back through the glass turntable, and are absorbed by the food.

**Microwaves** pass through most glass, paper, and plastics without heating them so food absorbs the energy. Microwaves bounce off metal containers so food does not absorb the energy.

## Radio interference

Using your microwave oven may cause interference to your radio, TV, or similar equipment. When there is interference, you can reduce it or remove it by:

- **Cleaning** the door and sealing surfaces of the oven.
- **Adjusting** the receiving antenna of the radio or television.
- **Moving** the receiver away from the microwave oven.
- **Plugging** the microwave oven into a different outlet so that the microwave oven and receiver are on different branch circuits.

## For the best cooking results

- **Always cook food** for the shortest cooking time recommended. Check to see how the food is cooking. If needed, **touch EASY START** while the oven is operating or after the cooking cycle is over (see the "Using EASY START" section).
- **Stir, turn over, or rearrange** the food being cooked about halfway through the cooking time for all recipes. This will help make sure the food is evenly cooked.
- **If you do not have a cover for a dish**, use wax paper, or microwave-approved paper towels or plastic wrap. Remember to turn back a corner of the plastic wrap to vent steam during cooking.

## Testing your microwave oven

To test the oven, put 1 cup (250 mL) of cold water in a glass container in the oven. Close the door. Make sure it latches. Cook at 100% power for 2 minutes. When the time is up, the water should be heated.

# GETTING TO KNOW YOUR MICROWAVE OVEN

## Testing your dinnerware or cookware

### Test dinnerware or cookware before using.

To test a dish for safe use, put it into the oven with 1 cup (250 mL) of water beside it. Cook at 100% cook power for one minute. **If the dish gets hot and water stays cool, do not use it.** Some dishes (melamine, some ceramic dinnerware, etc.) absorb microwave energy, becoming too hot to handle and slowing cooking times. Cooking in metal containers not designed for microwave use could damage the oven, as could containers with hidden metal (twist-ties, foil lining, staples, metallic glaze or trim).

## Operating tips

- **Never** lean on the door or allow a child to swing on it when the door is open.
  - **Use hot pads.** Microwave energy does not heat containers, but the heat from the food can make the container hot.
  - **Do not** use newspaper or other printed paper in the oven.
  - **Do not** dry flowers, fruit, herbs, wood, paper, gourds, or clothes in the oven.
  - **Do not** start a microwave oven when it is empty. Product life may be shortened. If you practice programming the oven, **put** a container of water in the oven. It is normal for the oven door to look wavy after the oven has been running for a while.
  - **Do not** try to melt paraffin wax in the oven. Paraffin wax will not melt in a microwave oven because it allows microwaves to pass through it.
  - **Do not** operate the microwave oven unless the glass turntable is securely in place and can rotate freely. The turntable can rotate in either direction. **Make sure** the turntable is correct-side up in the oven. **Handle your turntable with care** when removing it from the oven to avoid possibly breaking it. If your turntable cracks or breaks, contact your dealer for a replacement.
- **When you use a browning dish**, the browning dish bottom must be at least  $\frac{3}{16}$  in. (5 mm) above the turntable. Follow the directions supplied with the browning dish.
  - **Never cook or reheat a whole egg inside the shell.** Steam buildup in whole eggs may cause them to burst, and possibly damage the oven. **Slice** hard-boiled eggs before heating. In rare cases, poached eggs have been known to explode. **Cover** poached eggs and **allow** a standing time of one minute before cutting into them.
  - **For best results, stir any liquid several times during heating or reheating.** Liquids heated in certain containers (especially containers shaped like cylinders) may become overheated. The liquid may splash out with a loud noise during or after heating or when adding ingredients (coffee granules, tea bags, etc.). This can harm the oven.
  - **Microwaves** may not reach the center of a roast. The heat spreads to the center from the outer, cooked areas just as in regular oven cooking. This is one of the reasons for letting some foods (for example, roasts or baked potatoes) stand for a while after cooking, or for stirring some foods during the cooking time.
  - **Do not deep fry in the oven.** Microwavable utensils are not suitable and it is difficult to maintain appropriate deep-frying temperatures.
  - **Do not overcook potatoes.** At the end of the recommended cooking time, potatoes should be slightly firm because they will continue cooking during standing time. **After microwaving, let potatoes stand for 5 minutes.** They will finish cooking while standing.

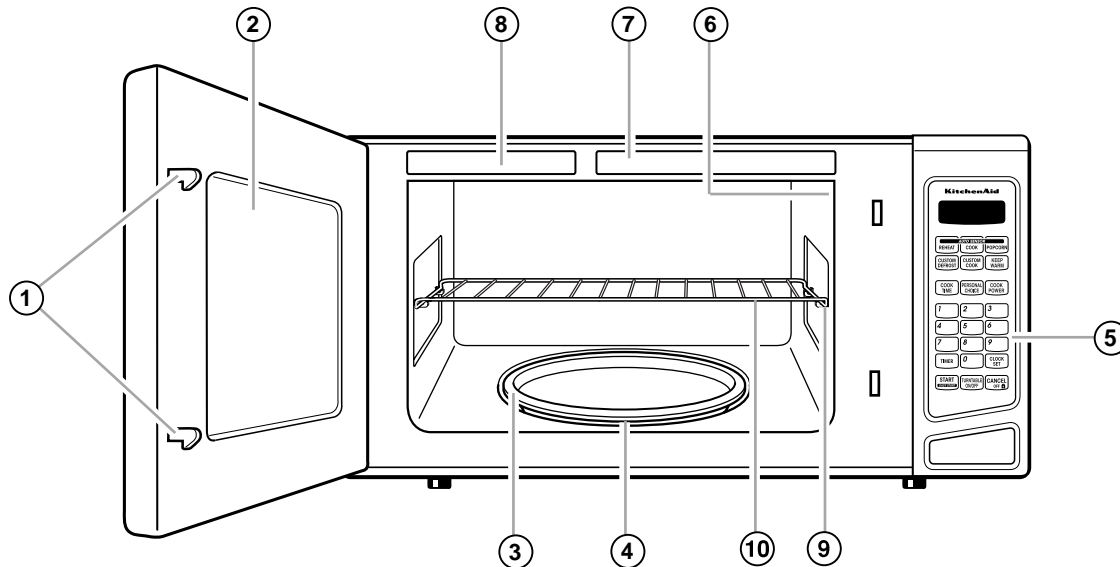
## Electrical connection

**If your electric power line or outlet voltage** is less than 110 volts, cooking times may be longer. Have a qualified electrician check your electrical system.



# GETTING TO KNOW YOUR MICROWAVE OVEN

## Microwave oven features



Your microwave oven is designed to make your cooking experience enjoyable and productive. To help get you up and running quickly, the following is a list of the oven's basic features:

- 1. Door Safety Lock System.** The oven will not work unless the door is securely closed.
- 2. Window with Metal Shield.** The shield prevents microwaves from escaping. It is designed as a screen to allow you to view food as it cooks.
- 3. Glass Turntable.** This turntable turns food as it cooks for more even cooking. It must be in the oven during operation for best cooking results. The turntable is sunken into the cavity floor to give you more cooking space and better cooking results. (The turntable for Model KCMS185J can be stopped from turning by touching the TURNTABLE ON/OFF pad.)
- 4. Removable Turntable Support** (under turntable).
- 5. Control Panel.** (Model KCMS185J shown) Touch pads on this panel to perform all functions.
- 6. Light** (not shown). Automatically turns on when the door is opened or when the oven is running.
- 7. Cooking Guide Label.**
- 8. Model and Serial Number Plate.**
- 9. Rack Supports.** (Model KCMS185J only)
- 10. Cooking Rack.** (Model KCMS185J only) (Part No. 8172101) Use for extra space when cooking on more than one level in your microwave oven.

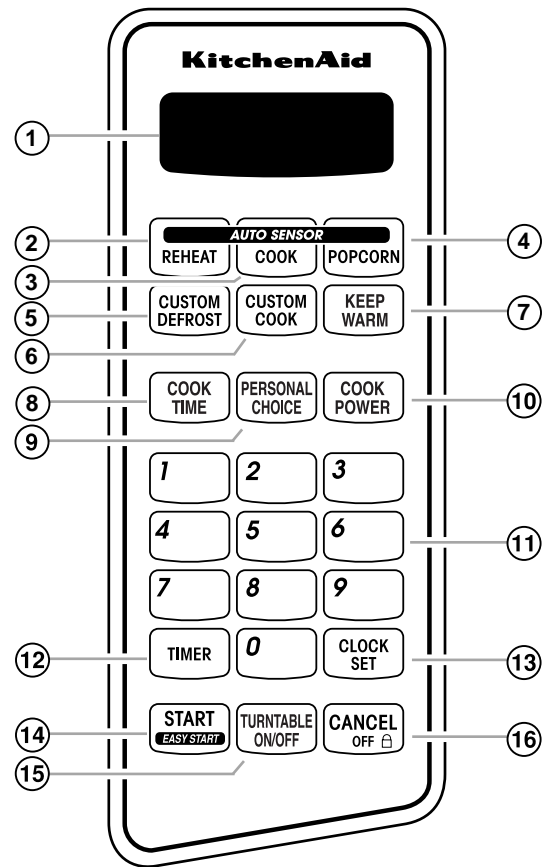
# GETTING TO KNOW YOUR MICROWAVE OVEN

## Control panel features

Your microwave oven control panel lets you select a desired cooking function quickly and easily. The following is a list of all the Command pads located on the control panel (Model KCMS185J shown).

**For more information on these features, see “Using Your Microwave Oven” section.**

- 1. Display.** This display includes a clock and indicators to tell you the time of day, cooking time settings, cook powers, quantities, weights, and cooking functions.
- 2. AUTO SENSOR REHEAT.** Touch this pad to reheat from a variety of food categories available.
- 3. AUTO SENSOR COOK.** Touch this pad to cook from a variety of food categories available.
- 4. AUTO SENSOR POPCORN.** Touch this pad to pop a bag of popcorn in any of 4 sizes.
- 5. CUSTOM DEFROST.** Touch this pad to defrost frozen food by weight.
- 6. CUSTOM COOK.** Touch this pad to cook at custom settings.
- 7. KEEP WARM.** Touch this pad to keep hot, cooked food warm in your microwave oven. You can use KEEP WARM by itself or to automatically follow a cooking cycle.
- 8. COOK TIME.** Touch this pad to set a cooking time.
- 9. PERSONAL CHOICE.** Touch this pad to control sound volume or turn on/off, to change weight measurement from lbs to kilograms, to change the language displayed, to change scroll speed, to change the clock from 12 hours to 24 hours or to turn on/off, or to turn the Demo mode on and off.
- 10. COOK POWER.** Touch this pad to set the amount of microwave energy released to cook the food. The higher the number, the higher the power wattage and the faster the “cooking speed.”
- 11. Number pads.** Touch number pads to control sound, weights, language, scroll speed, clock, Demo mode, cooking times, cook powers, or quantities.
- 12. TIMER.** Touch this pad to set or cancel the timer function.
- 13. CLOCK SET.** Touch this pad to enter the correct time of day.
- 14. START/EASY START.** Touch this pad to start a function you have set or to cook food for 30 seconds at 100% cook power.
- 15. TURNTABLE ON/OFF.** (Model KCMS185J only) Touch this pad to start or stop turntable rotation. This function works during manual cook only. It will not work while in the CUSTOM DEFROST, CUSTOM COOK, AUTO SENSOR REHEAT, AUTO SENSOR COOK, or AUTO SENSOR POPCORN modes.
- 16. CANCEL/OFF.** Touch this pad once to clear an incorrect command or to cancel a program during cooking. This pad will not erase the time of day.



## Audible signals

Your microwave oven comes with audible signals that can guide you when setting and using your oven:

- A programming tone will sound each time you touch a pad.
- Three tones signal the end of a cooking cycle and five tones signal the end of the timer function.

**NOTE:** The tones on your oven can be turned off. To do so, see “Using PERSONAL CHOICE”.

# GETTING TO KNOW YOUR MICROWAVE OVEN

## Control panel features (cont.)

### Interrupting cooking

You can stop the oven during a cycle by opening the door. The oven stops heating and the fan stops, but the light stays on. To restart cooking, close the door and

#### Touch **START**.

#### If you do not want to continue cooking:

- Close the door and the light goes off.

**OR**

- Touch **CANCEL/OFF**.

**NOTE:** Before setting a function, touch **CANCEL/OFF** to make sure no other function is on.

### Using the child lock

The Child Lock locks the control panel so children cannot use the microwave when you do not want them to.

#### To lock the control panel:

**Touch and hold CANCEL/OFF** until "LOCKED" appears on display (approximately 4 seconds). (One tone will sound.)

#### To unlock the control panel:

**Touch and hold CANCEL/OFF** until "UNLOCK" appears on display. (Two tones will sound.)

## Built-in kits

You can build in your microwave oven by using one of the following trim kits\*. These kits are available from your dealer. If your dealer does not stock the kit you can order it, by kit part number, by calling **1-800-253-1301** and following the instructions and telephone prompts you hear.

SIZE	COLOR	KIT MODEL NO.	FOR INSTALLATION OVER OVEN MODEL	
27" (69 cm)	Black	MK1197XHB	RBS275PD	GBS277PD
30" (76 cm)	Black	MK1190XHB	RBS305PD	GBS307PD
27" (69 cm)	White	MK1197XHQ	RBS275PD	GBS277PD
30" (76 cm)	White	MK1190XHQ	RBS305PD	GBS307PD
27" (69 cm)	Stainless	MK1197XHS	RBS275PD	GBS277PD
30" (76 cm)	Stainless	MK1190XHS	RBS305PD	GBS307PD

\* Approved, electric single ovens only

## Using PERSONAL CHOICE

You can select or change the following functions or displays by touching PERSONAL CHOICE:

Function	Choice
Sound volume	Control volume or turn on/off.
Weight	Change to standard (lbs) or metric (kgs).
Language	Change to English, French or Spanish.
Scroll speed	Change speed.
Clock	Change to 12 hrs. or 24 hrs. or turn on/off
Demo mode	Turn on or off.

### 1. Touch **PERSONAL CHOICE** for desired function.

Once to control sound volume, twice for weight, 3 times for language, 4 times for scroll speed, 5 times for clock, or 6 times for Demo mode.

For example, to change weight measurements you see:



### 2. Touch "1" for "lbs" or "2" for "kgs".

### 3. Touch **START**.

# GETTING TO KNOW YOUR MICROWAVE OVEN

---

## Setting the clock

When you first plug in your microwave oven, the display shows “ : ”. If the electric power ever goes off, the display will again show “ : ” when the power comes back on.

**NOTE:** You can cook without setting the clock, but the display will show “ : ” again after the cooking is completed.

---

### 1. Touch **CLOCK SET**.

---

### 2. Touch number pads for time of day.

For example: For 7:00, **touch** “7 0 0”

---

### 3. Touch **CLOCK SET**.

---

## Using the minute timer

You can use your microwave oven as a kitchen timer. Use the minute timer for timing up to 90 minutes.

---

### 1. Touch **TIMER**.

---

### 2. Touch number pads for desired time.

For example, for 10 minutes **touch** “1 0 0 0”

---

### 3. Touch **START, (or, TIMER) or allow the timer to start automatically after a short delay.**

---

### 4. At the end of the set time:

Timer will count down to zero, then will display “TIMER END” and 5 tones will sound.

**NOTE:** To cancel timer at any time, **touch** **TIMER**.

---

## Using the cooking rack (Model KCMSI85J only)

The Cooking Rack (Part No. 8172101) gives you extra space when cooking at more than one level in your microwave oven.

### **NOTES:**

- Do not store the metal rack in the oven. Arcing and damage to the oven could result if someone accidentally starts the oven.
- Do not operate the oven with the metal rack stored on the floor of the oven. Damage to the interior finish will result.
- Do not use this rack in other cooking appliances.
- Do not use rack with browning dish.
- Do not place a metal cooking container directly on the microwave oven rack. Place a microwave-safe plate between the metal container and the rack to prevent possible arcing and damage to the oven.

# USING YOUR MICROWAVE OVEN

This section gives you instructions for operating each function. Please read these instructions carefully.

## Cooking at high cook power

- 1. Put the food in the oven and close the door.**
- 2. Touch COOK TIME.**  
Display will show "STAGE 1".
- 3. Touch number pads for desired time.**  
For example, for 10 minutes touch "1 0 0 0"
- 4. Touch START.**
- 5. At the end of the cooking time:**  
Display will show "END" and 3 tones will sound.

## Cooking at different cook powers

- 1. Put your food in the oven and close the door.**
- 2. Touch COOK TIME.**  
Display will show "STAGE 1".
- 3. Touch number pads for desired time.**
- 4. Touch COOK POWER.**
- 5. Select number pad for desired power setting.**  
(See the following chart.)
- 6. Touch START.**
- 7. At the end of the cooking time:**  
Display will show "END" and 3 tones will sound.

For best results, some recipes call for different cook powers. The lower the cook power, the slower the cooking. Each level stands for a different percentage of cook power. Many microwave cookbook recipes tell you by number, percent, or name which cook power to use.

The following chart gives the percentage of cook power each level stands for, and the cook power name usually used. It also tells you when to use each cook power. Follow recipe or food package instructions if available.

**NOTE:** Refer to a reliable cookbook for cooking times.

COOK POWER	NAME	WHEN TO USE IT
P100-HI = 100% of full power (automatic)	High	<ul style="list-style-type: none"><li>● Quick heating many convenience foods and foods with high water content, such as soups, beverages and most vegetables</li></ul>
P90 = 90% of full power		<ul style="list-style-type: none"><li>● Cooking small tender pieces of meat, ground meat, poultry pieces, and fish fillets</li><li>● Heating cream soups</li></ul>
P80-RHT = 80% of full power	Medium-High, Reheat	<ul style="list-style-type: none"><li>● Heating rice, pasta, or stirrable casseroles</li><li>● Cooking and heating foods that need a cook power lower than high (for example, whole fish and meat loaf)</li></ul>
P70 = 70% of full power		<ul style="list-style-type: none"><li>● Reheating a single serving of food</li></ul>
P60 = 60% of full power		<ul style="list-style-type: none"><li>● Cooking sensitive foods such as cheese and egg dishes, pudding, and custards</li><li>● Cooking non-stirrable casseroles, such as lasagna</li></ul>

continued on next page

# USING YOUR MICROWAVE OVEN

COOK POWER	NAME	WHEN TO USE IT
P50 = 50% of full power	Medium	<ul style="list-style-type: none"><li>● Cooking ham, whole poultry, and pot roasts</li><li>● Simmering stews</li></ul>
P40 = 40% of full power		<ul style="list-style-type: none"><li>● Melting chocolate</li><li>● Heating bread, rolls and pastries</li></ul>
P30-DEF = 30% of full power	Medium-Low, Defrost	<ul style="list-style-type: none"><li>● Defrosting foods, such as bread, fish, meats, poultry, and precooked foods</li></ul>
P20 = 20% of full power		<ul style="list-style-type: none"><li>● Softening butter, cheese, and ice cream</li></ul>
P10-WRM = 10% of full power	Low	<ul style="list-style-type: none"><li>● Keeping food warm</li><li>● Taking chill out of fruit</li></ul>

## Cooking with more than one cook cycle

For best results, some recipes call for one cook power for a certain length of time, and another cook power for another length of time. Your oven can be set to change from one power level to another automatically, for up to 3 cycles plus a defrost cycle.

**1. Put your food in the oven and close the door.**

**2. Touch number pads to set the cooking time for the first cycle.**

**3. Touch number pad to set the cook power for the first cycle.**

**4. Repeat Steps 2 and 3 to set the cooking time and cook power for each additional cycle.**

**5. Touch START.**

After each cycle is complete, 2 tones sound and the next cycle(s) will count down.

**6. At the end of the cooking time:**

Display will show "END" and 3 tones will sound.

**NOTES:**

- You can set your chosen cook functions in any order. However, when you use CUSTOM DEFROST, it must be the first cycle.
- Cooking with more than one cook cycle will not work with AUTO SENSOR COOK or AUTO SENSOR REHEAT functions.

# USING YOUR MICROWAVE OVEN

## Using CUSTOM DEFROST

You can defrost food by choosing a category and setting a weight. CUSTOM DEFROST has preset times and cook powers for 3 categories: Meat, Poultry, and Fish.

### 1. Touch CUSTOM DEFROST.

Once for Meat, twice for Poultry, three times for Fish.

### 2. Touch number pads for desired weight (from .1 to 6.0 lbs [45 g to 2.7 kg]).

### 3. Touch START.

### 4. During defrosting, 5 tones will sound. These tones tell you when to check, turn over, separate, or rearrange the food. To start the oven again, touch START.

### 5. At the end of the defrosting time:

Display will show "END" and 3 tones will sound.

## Weight conversion chart

You are probably used to food weights as being in pounds and ounces that are fractions of a pound (for example, 4 ounces equals  $\frac{1}{4}$  pound [113.4 g]).

If the weight on the food package is in fractions of a pound, you can use the following chart to convert the weight to decimals.

Equivalent Weight		
OUNCES	GRAMS	DECIMAL WEIGHT
1.6	45.4	.10
3.2	90.7	.20
4.0	113.4	.25 One-Quarter Pound
4.8	136.1	.30
6.4	181.4	.40
8.0	226.8	.50 One-Half Pound
9.6	272.2	.60
11.2	317.5	.70
12.0	340.2	.75 Three-Quarters Pound
12.8	362.9	.80
14.4	408.2	.90
16.0	453.6	1.00 One Pound

## Defrosting tips

- **Before starting**, make sure you have removed any of the metal twist-ties which often come with frozen food bags, and replace them with strings or elastic bands.
- **Open containers** such as cartons before they are placed in the oven.
- **Always slit** or pierce plastic pouches or packaging.
- **If food is foil wrapped**, remove foil and place it in a suitable container.
- **Slit** the skins, if any, of frozen food such as sausage.
- **Bend** plastic pouches of food to ensure even defrosting.
- **Always underestimate** defrosting time. If defrosted food is still icy in the center, return it to the microwave oven for more defrosting.
- **The length** of defrosting time varies according to how solidly the food is frozen.
- **The shape of the package** affects how quickly food will defrost. Shallow packages will defrost more quickly than a deep block.
- **As food begins to defrost**, separate the pieces. Separated pieces defrost more evenly.
- **Use small pieces of aluminum foil** to shield parts of food such as chicken wings, leg tips, fish tails, or areas that start to get warm. Make sure the foil does not touch the sides, top, or bottom of the oven. The foil can damage the oven lining.
- **For better results**, let food stand after defrosting. (For more information on standing time, see "Microwave cooking tips" in the "Cooking Guide" section.)
- **Turn food over** during defrosting or standing time. Break apart and remove food as required.

## Using CUSTOM COOK

### 1. Touch CUSTOM COOK.

- Twice for Bacon (select number of slices from 2 to 6)
- 3 times for Beverage (select number of cups, either 1 or 2)
- 4 times for Frozen Roll/Muffin (select number of rolls from 1 to 6)
- 5 times for Fresh Roll/Muffin (select number of rolls from 1 to 6)
- 6 times for Oatmeal (select number of servings from 1 to 6)

### 2. At the end of cooking time:

Display will show "END" and 3 tones will sound.

# USING YOUR MICROWAVE OVEN

## Using EASY START

Easy Start lets you cook food for 30 seconds at 100% cook power or, during any manual program you can use it to add 30-second increments.

### NOTES:

- Each time you **touch** EASY START, it will add 30 seconds.
- You can enter Easy Start only after closing the door or after **touching** CANCEL/OFF.
- You can also use the pad to increase the remaining cook time during manual programs.

---

### 1. Make sure your food is in the oven.

---

### 2. Touch EASY START.

(each additional touch adds 30 seconds of cooking time, up to a total of 10 minutes)

---

### 3. At the end of the cooking time:

Display will show "END" and 3 tones will sound.

## Using KEEP WARM

### **⚠ WARNING**

#### Food Poisoning Hazard

**Do not let food sit in oven more than one hour before or after cooking.**

**Doing so can result in food poisoning or sickness.**

Keep Warm keeps hot, cooked food warm in your microwave oven.

### NOTES:

- Food cooked should be covered during Keep Warm.
- Pastry items (pies, turnovers, etc.) should be uncovered during Keep Warm.
- Complete meals kept warm on a dinner plate should be covered during Keep Warm.
- Do not use more than 1 complete Keep Warm cycle. The quality of some foods will suffer with extended time.

---

### 1. Put hot, cooked food in the oven and close the door.

---

### 2. Touch KEEP WARM.

"KEEP WARM" scrolls twice, then "START" flashes until you touch START.

---

### 3. Touch START.

Display will show "WARM".

---

### 4. To cancel KEEP WARM, open door or touch CANCEL/OFF.



# AUTO SENSOR COOKING

Your microwave oven has a sensor that detects the humidity released by the food. The amount of humidity detected tells the oven how long to cook or heat your food. The sensor is used by 3 special functions: AUTO SENSOR COOK, AUTO SENSOR REHEAT, and AUTO SENSOR POPCORN. The simple instructions for these functions are on the following pages.

## NOTES:

- If you want to cook by entering a time and cook power, see "Microwave cooking guide" in the "Cooking Guide" section.
- The oven should be plugged in at least 5 minutes before sensor cooking.
- Room temperature should not exceed 95°F (35°C).
- Be sure the exterior of the cooking container and the interior of the oven are dry. Wipe off each with a paper towel.
- The oven will not generate microwave energy for approximately 28 seconds at the beginning of the sensor cooking cycle.
- When covering foods, be sure to leave an opening big enough for moisture to escape so that the sensor can determine cooking or reheating time.

## Using AUTO SENSOR COOK

### To use AUTO SENSOR COOK:

1. Put the food in the oven and close the door.

2. Touch **AUTO SENSOR COOK** until desired food type is displayed.

AUTO SENSOR COOK will start automatically after a short delay.

(See Auto Sensor Cooking Chart.)

## Auto sensor cooking chart

FOOD	SERVING SIZE	DIRECTIONS
<b>Baked Potatoes</b>	1 to 4 medium, about 8 to 10 oz (227 to 284 g) each	<ul style="list-style-type: none"><li>● Pierce each potato several times with a fork and place on the oven tray around the edge, at least 1 inch (2.5 cm) apart.</li></ul>
<b>Frozen Vegetables</b>	1 to 4 cups (250 mL to 1 L)	<ul style="list-style-type: none"><li>● Remove from package. Place vegetables in a microwavable container. Cover with plastic wrap and vent.</li><li>● Most vegetables need stirring and 2-3 minutes standing time after cooking.</li></ul>
<b>Fresh Vegetables</b>	1 to 4 cups (250 mL to 1 L)	<ul style="list-style-type: none"><li>● Place moist vegetables in a microwavable container. Cover with plastic wrap and vent.</li><li>● Most vegetables need stirring and 2-3 minutes standing time after cooking.</li></ul>
<b>Frozen Entree</b>	Works best if entree is 10 to 20 oz. (284 to 567 g)	<ul style="list-style-type: none"><li>● Remove from outer package. Loosen cover on three sides. If entrée is not in a microwave-safe container, place it on a plate, cover with plastic wrap and vent.</li><li>● Most entrees need 2-3 minutes standing time after cooking.</li></ul>
<b>Rice</b>	½ to 2 cups (125 to 500 mL) of dry rice (Use medium or long grain rice. Cook instant rice according to directions on the package.)	<ul style="list-style-type: none"><li>● Follow measurements on package for ingredient amounts. Place rice and liquid (water or chicken or vegetable stock) in a microwavable dish. Cover with plastic wrap and vent. When cooking is complete, allow rice to stand 5 minutes or until liquid is absorbed. Stir rice.</li></ul>

# AUTO SENSOR COOKING

## Auto sensor cooking chart (cont.)

FOOD	SERVING SIZE	DIRECTIONS
<b>Fish, Seafood</b>	¼ to 2 lbs (113 to 907 g)	● Place the food around the sides of a microwave-safe container. Season and add ¼ to ½ cup (63 to 125 mL) liquid (wine, water, salsa, etc.) if desired. Cover with plastic wrap, vented.

## Using AUTO SENSOR REHEAT

**1. Put the food in the oven and close the door.**

**2. Touch AUTO SENSOR REHEAT until desired food type is displayed.**

AUTO SENSOR REHEAT will start automatically after a short delay.

(See Auto Sensor Reheating Chart.)

**NOTE:** When covering foods, be sure to leave an opening big enough for moisture to escape so that the sensor can determine cooking or reheating time.

## Auto sensor reheating chart

FOOD	SERVING SIZE	DIRECTIONS
<b>Dinner plate</b>	About 8 to 16 oz (227 to 454 g)	● Place food to be heated on a dinner plate or similar dish. Cover with plastic wrap and vent.
<b>Soup</b>	1 to 4 cups (250 mL to 1 L)	● Place food to be heated in a microwave container. Cover with plastic wrap and vent.
<b>Sauce</b>	1 to 4 cups (250 mL to 1 L)	● Place food to be heated in a microwave container. Cover with plastic wrap and vent.
<b>Casserole</b>	1 to 2 cups (250 to 500 mL)	● Place food to be heated in a microwave container. Cover with plastic wrap and vent.

# AUTO SENSOR COOKING

## Using AUTO SENSOR POPCORN

AUTO SENSOR POPCORN lets you pop commercially packaged microwave popcorn with just one touch.

### NOTES:

- Pop only 1 package at a time.
- If you are using a microwave popcorn popper, follow manufacturer's instructions.

**1. Place the bag in the center of the turntable and close the door.**

**2. Touch AUTO SENSOR POPCORN.**

**NOTE:** The sensor will determine "popping time", based on the size of the package.

## Auto sensor popcorn chart

	SERVING SIZE	DIRECTIONS
<b>POPCORN</b>	3.5 oz (99 g) 3.0 oz (85 g) 1.75 oz (50 g) 1.5 oz (42 g)	<ul style="list-style-type: none"><li>● Follow package directions.</li><li>● Use a popcorn package which is made especially for microwave cooking.</li><li>● Do not try to pop unpopped kernels.</li><li>● Pop only 1 package at a time.</li><li>● Do not leave the microwave oven unattended while popping popcorn.</li><li>● If you are using a microwave popcorn popper, follow manufacturer's instructions.</li><li>● How well your popcorn cooks will depend on the brand of popcorn and how much fat it has in it. Try several brands to decide which pops the best. For best results, use fresh bags of popcorn.</li></ul>

## Microwave cooking tips

### Amount of food

- **If you increase or decrease** the amount of food you prepare, the time it takes to cook that food will also change. For example, if you double a recipe, add a little more than half the original cooking time. Check for doneness and, if necessary, add more time in small increments.

### Starting temperature of food

- **The lower the temperature** of the food being put into the microwave oven, the longer it takes to cook. Food at room temperature will be reheated more quickly than food at refrigerator temperature.

### Composition of food

- **Food with a lot of fat and sugar** will be heated faster than food containing a lot of water. Fat and sugar will also reach a higher temperature than water in the cooking process.
- **The more dense the food**, the longer it takes to heat. "Very dense" food like meat takes longer to re-heat than lighter, more porous food like sponge cakes.

### Size and shape

- **Smaller pieces of food** will cook faster than larger pieces. Also, same-shaped pieces cook more evenly than different-shaped pieces.
- **With foods that have different thicknesses**, the thinner parts will cook faster than the thicker parts. **Place** the thinner parts of chicken wings and legs in the center of the dish.

### Stirring, turning foods

- **Stirring and turning foods** spreads heat quickly to the center of the dish and avoids overcooking at the outer edges of the food.

### Covering food

#### Cover food to:

- **Reduce** splattering
- **Shorten** cooking times
- **Keep** food moist

You can use any covering that lets microwaves pass through. See "Getting to Know Your Microwave Oven" for materials that microwaves will pass through. If you are using the Auto Sensor function, be sure to vent.

### Releasing pressure in foods

- **Several foods** (for example: baked potatoes, sausages, egg yolks, and some fruits) are tightly covered by a skin or membrane. Steam can build up under the membrane during cooking, causing the food to burst. To relieve the pressure and to prevent bursting, **pierce** these foods before cooking with a fork, cocktail pick, or toothpick.

### Using standing time

- **Always allow food to stand** after cooking. Standing time after defrosting and cooking allows the temperature to evenly spread throughout the food, improving the cooking results.
- **The length of the standing time** depends on how much food you are cooking and how dense it is. Sometimes it can be as short as the time it takes you to remove the food from the oven and take it to the serving table. However, with larger, denser food, the standing time may be as long as 10 minutes.

### Arranging food

For best results, place food evenly on the plate. You can do this in several ways:

- **If you are cooking several items of the same food**, such as baked potatoes, **place** them in a ring pattern for uniform cooking.
- **When cooking foods of uneven shapes or thickness, such as chicken breasts**, **place** the smaller or thinner area of the food towards the center of the dish where it will be heated last.
- **Layer thin slices of meat** on top of each other.
- **When you cook or reheat whole fish**, **score** the skin – this prevents cracking.
- **Do not** let food or a container touch the top or sides of the oven. This will prevent possible arcing.

## Microwave cooking tips (cont.)

### Using aluminum foil

Metal containers should not be used in a microwave oven. There are, however, some exceptions. If you have purchased food which is prepackaged in an aluminum foil container, refer to the instructions on the package. When using aluminum foil containers, cooking times may be longer because microwaves will only penetrate the top of the food.

If you use aluminum containers without package instructions, follow these guidelines:

- **Place** the container in a glass bowl and add some water so that it covers the bottom of the container, not more than  $\frac{1}{4}$  in. (.64 cm) high. This ensures even heating of the container bottom.
- **Always remove** the lid to avoid damage to the oven.
- **Use only** undamaged containers.
- **Do not use** containers taller than  $\frac{3}{4}$  in. (1.9 cm).
- **Container must be** at least half filled.
- **To avoid arcing**, there must be a minimum  $\frac{1}{4}$  in. (.64 cm) between the aluminum container and the walls of the oven and also between two aluminum containers.
- **Always place** the container on the turntable.
- **Reheating food** in aluminum foil containers usually takes up to double the time compared to reheating in plastic, glass, china, or paper containers. The time when food is ready will vary depending upon the type of container you use.
- **Let food stand** for 2 to 3 minutes after heating so that heat is spread evenly throughout container.

### Cooking you should not do in your microwave oven

- **Do not** do canning of foods in the oven. Closed glass jars may explode, resulting in damage to the oven.
- **Do not** use the microwave oven to sterilize objects (baby bottles, etc.). It is difficult to keep the oven at the high temperature needed for sterilization.

To make sure your microwave oven looks good and works well for a long time, you should maintain it properly. For proper care, please follow these instructions carefully.

**For interior surfaces:** Wash often with warm, sudsy water and a sponge or soft cloth. Use only mild, non-abrasive soaps or a mild detergent. **Be sure to keep the areas clean where the door and oven frame touch when closed.** Wipe well with clean water. Over time, stains can occur on the surfaces as the result of food particles spattering during cooking. This is normal.

For stubborn soil, **boil** a cup (250 mL) of water in the oven for 2 or 3 minutes. Steam will soften the soil. To get rid of odors inside the oven, **boil** a cup (250 mL) of water with lemon juice or vinegar.

**For exterior surfaces and control panel:** Use a soft cloth with spray glass cleaner. Apply the spray glass cleaner to the soft cloth; do not spray directly on the oven.

**NOTE: Abrasive cleansers, steel-wool pads, gritty wash cloths, some paper towels, etc.,** can damage the control panel and the interior and exterior oven surfaces.

**To clean turntable and turntable support,** wash in mild, sudsy water; for heavily soiled areas use a mild cleanser and scouring sponge. The turntable and turntable support are dishwasher-safe.

# QUESTIONS AND ANSWERS

QUESTIONS	ANSWERS
Can I operate my microwave oven without the turntable or turn the turntable over to hold a large dish?	No. If you remove or turn over the turntable, you will get poor cooking results. Dishes used in your oven must fit on the turntable.
Can I use a rack in my microwave oven so that I may reheat or cook on two levels at a time?	You can use a rack only if the rack is supplied with your microwave oven. If you use a rack not supplied with the microwave oven, you can get poor cooking performance and/or arcing.
Can I use either metal or aluminum pans in my microwave oven?	You can use aluminum foil for shielding (use small, flat pieces), small skewers, and shallow foil trays (if tray is not taller than $\frac{3}{4}$ in. [1.9 cm] deep and half filled with food to absorb microwave energy). Never allow metal to touch walls or door.
Is it normal for the turntable to turn in either direction?	Yes. The turntable rotates clockwise or counter-clockwise, depending on the rotation of the motor when the cooking cycle begins.
Sometimes the door of my microwave oven appears wavy. Is this normal?	This appearance is normal and does not affect the operation of your oven.
What are the humming noises that I hear when my microwave oven is operating?	You may hear the sound of the transformer when the magnetron tube cycles on.
Why does the dish become hot when I microwave food in it? I thought that this should not happen.	As the food becomes hot it will conduct the heat to the dish. Be prepared to use hot pads to remove food after cooking.
What does "standing time" mean?	"Standing time" means that food should be removed from the oven and covered for additional time to allow it to finish cooking. This frees the oven for other cooking.
Why does steam come out of the air exhaust vent?	Steam is normally produced during cooking. The microwave oven has been designed to vent this steam out the vents.
Can I pop popcorn in my microwave oven? How do I get the best results?	Yes. Pop packaged microwave popcorn following manufacturer's guidelines or use the preset AUTO SENSOR POPCORN pad. Do not use regular paper bags. Use the "listening test" by stopping the oven as soon as the popping slows to a "pop" every 1 or 2 seconds. Do not repop unpopped kernels. Do not pop popcorn in glass cookware.

# TROUBLESHOOTING

Most cooking problems often are caused by little things you can find and fix without tools of any kind. Check the lists below before calling for assistance or service. If you still need help, see the “Requesting Assistance or Service” section.

## IF MICROWAVE DOES NOT OPERATE, FIRST CHECK THE FOLLOWING:

- Is the microwave plugged into a live outlet with the proper voltage? (See installation instructions.)
- Have you blown a household fuse or tripped a circuit breaker?
- Has the electric company experienced a power failure?

## OTHER POSSIBLE PROBLEMS AND THEIR CAUSES:

Problem	Cause
<b>The microwave oven will not run.</b>	<ul style="list-style-type: none"><li>● The door is not firmly closed and latched.</li><li>● You did not touch START.</li><li>● You did not follow directions exactly.</li><li>● An operation that was programmed earlier is still running.</li><li>● You have not set the time after touching COOK TIME.</li></ul>
<b>Microwave cooking times seem too long.</b>	<ul style="list-style-type: none"><li>● The electric supply to your home or wall outlets is low or lower than normal. Your electric company can tell you if the line voltage is low. Your electrician or service technician can tell you if the outlet voltage is low.</li><li>● The cook power is not at the recommended setting.</li><li>● Larger amounts of food need longer cooking times.</li></ul>
<b>The turntable will not turn.</b>	<ul style="list-style-type: none"><li>● The turntable is not correctly in place. Make sure the turntable is correct-side up and is sitting securely on center shaft.</li><li>● The TURNTABLE ON/OFF pad (Model KCMS185J only) has been touched and shows T/TABLE OFF on display. Touch the pad again to turn the turntable to ON position.</li><li>● The support is not operating correctly. Remove turntable, check that the turntable support is properly in place, and restart oven. If turntable support does not move, call a designated service technician for repair. Cooking without the turntable can give you poor results.</li></ul>
<b>The display shows a time counting down but the oven is not cooking.</b>	<ul style="list-style-type: none"><li>● The oven door is not closed completely.</li><li>● You have set the controls as a kitchen timer. Touch CANCEL/OFF to cancel the Minute Timer.</li></ul>
<b>You do not hear the Programming Tone.</b>	<ul style="list-style-type: none"><li>● The command is not correct.</li></ul>
<b>The fan seems to be running slower than usual.</b>	<ul style="list-style-type: none"><li>● The oven has been stored in a cold area. The fan will run slower until the oven warms up to normal room temperature.</li></ul>
<b>The display is showing “ : ”.</b>	<ul style="list-style-type: none"><li>● There has been a power interruption. Reset the clock.</li></ul>

If none of these items is causing your problem, see the “Requesting Assistance or Service” section.

# REQUESTING ASSISTANCE OR SERVICE

To avoid unnecessary service calls, please check the "Troubleshooting" section. It may save you the cost of a service call. If you still need help, follow the instructions below.

## If you need assistance or service

**Call the KitchenAid Customer Interaction Center toll free at 1-800-422-1230.**



When calling:

Please provide KitchenAid with the purchase date, and the complete model and serial number of your appliance (see the "A Note to You" section). This information will help us better respond to your request.

**Our consultants provide assistance with:**

- Features and specifications on our full line of appliances
- Installation information

- Accessory and repair parts sales
- Specialized customer assistance (Spanish speaking, hearing impaired, limited vision, etc.)
- Referrals to local dealers, service companies, and repair parts distributors

**KitchenAid designated service technicians** are trained to fulfill the product warranty and provide after-warranty service anywhere in the United States.

To locate the KitchenAid designated service company in your area, you can also look in your telephone directory Yellow Pages.

## For further assistance

If you need further assistance, you can write to KitchenAid with any questions or concerns at:

KitchenAid Brand Home Appliances  
Customer Interaction Center  
c/o Correspondence Dept.  
2000 North M-63  
Benton Harbor, MI 49022-2692

Please include a daytime phone number in your correspondence.



# MICROWAVE OVEN WARRANTY

LENGTH OF WARRANTY:	KITCHENAID WILL PAY FOR:	KITCHENAID WILL NOT PAY FOR:
<b>ONE-YEAR FULL WARRANTY</b> FROM DATE OF PURCHASE	Replacement parts and repair labor costs to correct defects in materials or workmanship. Service must be provided by a KitchenAid designated service company.	<b>A.</b> Service calls to: <ol style="list-style-type: none"> <li>1. Correct the installation of the oven.</li> <li>2. Instruct you how to use the oven.</li> <li>3. Replace house fuses or correct house wiring.</li> </ol> <b>B.</b> Repairs when oven is used in other than normal single-family home use. <b>C.</b> Damage resulting from accident, alteration, misuse, abuse, fire, flood, acts of God, improper installation, installation not in accordance with local electrical codes or use of products not approved by KitchenAid. <b>D.</b> Any labor costs during the limited warranty. <b>E.</b> Replacement parts or repair labor costs for units operated outside the United States. <b>F.</b> In-home service. Your microwave oven must be taken to a KitchenAid designated service company, except when your microwave oven is installed over an approved KitchenAid oven using an approved built-in kit. (See "Built-in kits" in the "Getting to Know Your Microwave Oven" section for a list of approved built-in kits.) <b>G.</b> Repairs to parts or systems resulting from unauthorized modifications made to the appliance. <b>H.</b> Travel or transportation expenses for customers who reside in remote areas. <span style="float: right;">3/00</span>
<b>SECOND-THROUGH FIFTH-YEAR LIMITED WARRANTY</b> FROM DATE OF PURCHASE	Replacement of magnetron tube to correct defects in materials or workmanship.	

**KITCHENAID DOES NOT ASSUME ANY RESPONSIBILITY FOR INCIDENTAL OR CONSEQUENTIAL DAMAGES.** Some states do not allow the exclusion or limitation of incidental or consequential damages, so this exclusion or limitation may not apply to you. This warranty gives you specific legal rights and you may also have other rights which may vary from state to state.

**Outside the 50 United States, this warranty does not apply. Contact your authorized KitchenAid dealer to determine if another warranty applies.**

If you need service, first see the "Troubleshooting" section of this book. After checking "Troubleshooting," additional help can be found by checking the "Requesting Assistance or Service" section or by calling our Customer Interaction Center telephone number, **1-800-422-1230**, from anywhere in the U.S.A.

## Free Manuals Download Website

<http://myh66.com>

<http://usermanuals.us>

<http://www.somanuals.com>

<http://www.4manuals.cc>

<http://www.manual-lib.com>

<http://www.404manual.com>

<http://www.luxmanual.com>

<http://aubethermostatmanual.com>

Golf course search by state

<http://golfingnear.com>

Email search by domain

<http://emailbydomain.com>

Auto manuals search

<http://auto.somanuals.com>

TV manuals search

<http://tv.somanuals.com>