

INSTALLATION INSTRUCTIONS

KitchenAid® **30" BUILT-IN**

MICROWAVE/HOOD

MODEL: KHMS 105

MICROWAVE-CONVECTION HOOD

MODEL: KHMC 106

*Read And Save These
Installation Instructions*

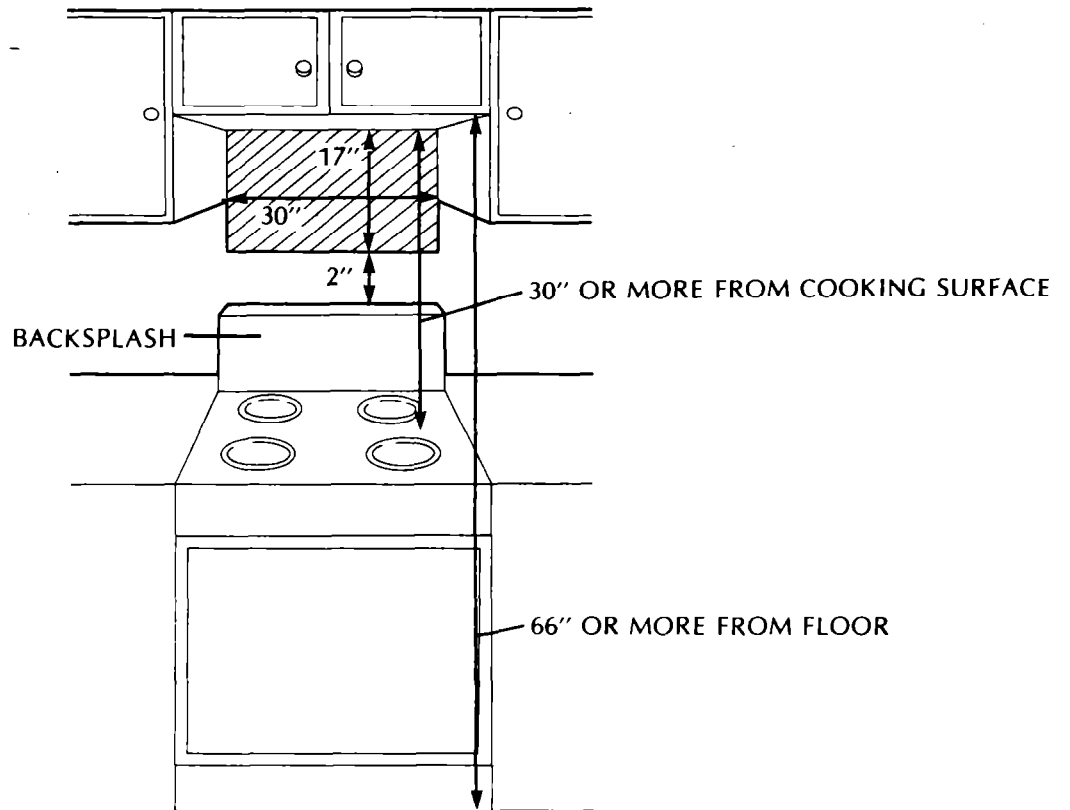
INTRODUCTION

Please read all instructions thoroughly before installing Microwave/Hood System. **TWO PEOPLE** are required to install this product.

If a new electrical outlet is required, it should be connected by a qualified electrician before the Microwave/Hood System is installed.

MOUNTING SPACE

Microwave/Hood System requires mounting space on a wall as shown below.



For removal of the Microwave/Hood System bottom cover for cleaning or servicing, a 2-inch space is necessary between the top of the range backsplash and the bottom of the Microwave/Hood System.

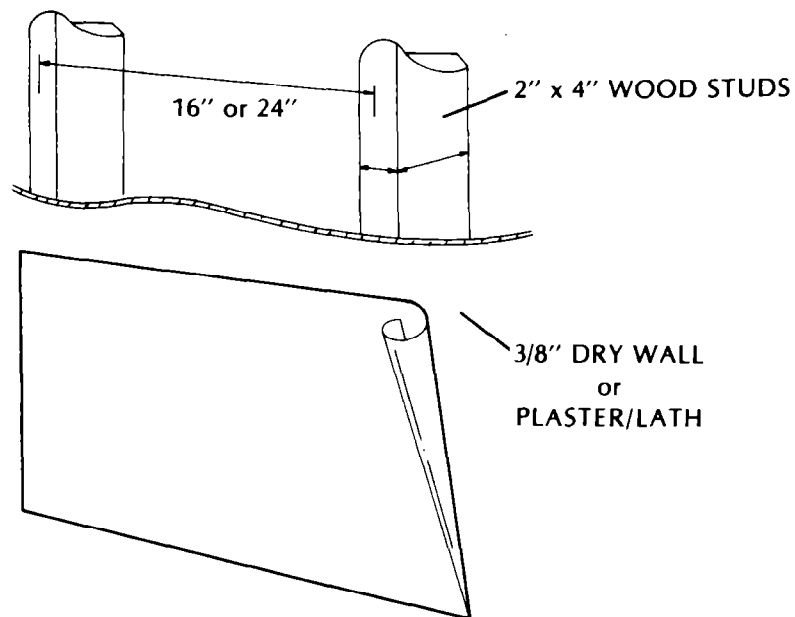
WALL CONSTRUCTION

Microwave/Hood System should be mounted against and supported by a flat, vertical wall. If wall is not flat, use spacers to fill gaps. Mounting plate must be flat for proper installation. Wall construction should be a minimum of 2" x 4" wood studding and 3/8" or more thick dry wall or plaster/lath. The unit must be attached to a minimum of one 2" x 4" wall stud.

For proper installation, the wall must be capable of supporting a minimum of 140 pounds (the 90 pound weight of product and load weight allowance of 50 pounds).

To find studs, use one of the following methods:

- A. Stud Finder — a magnetic device which locates nails.
- B. Use a hammer to tap lightly across the mounting surface to find a solid sound. This will indicate a stud installation.



The center of the stud can be located by probing the wall with a small nail to find the edges of the stud and then placing a mark half way between the edges. The center of any adjacent studs will be 16" or 24" from this mark.

ELECTRICAL SERVICE

Visual check after unpacking.

Remove all packing material from the oven cavity.

Check the oven for any damage, such as misaligned door, damaged gaskets around door or dents inside the oven cavity or on the door. If there is any damage, please do not operate the oven until it has been checked by an Authorized KitchenAid Servicer and any repairs made, if necessary.

GROUNDING INSTRUCTIONS:

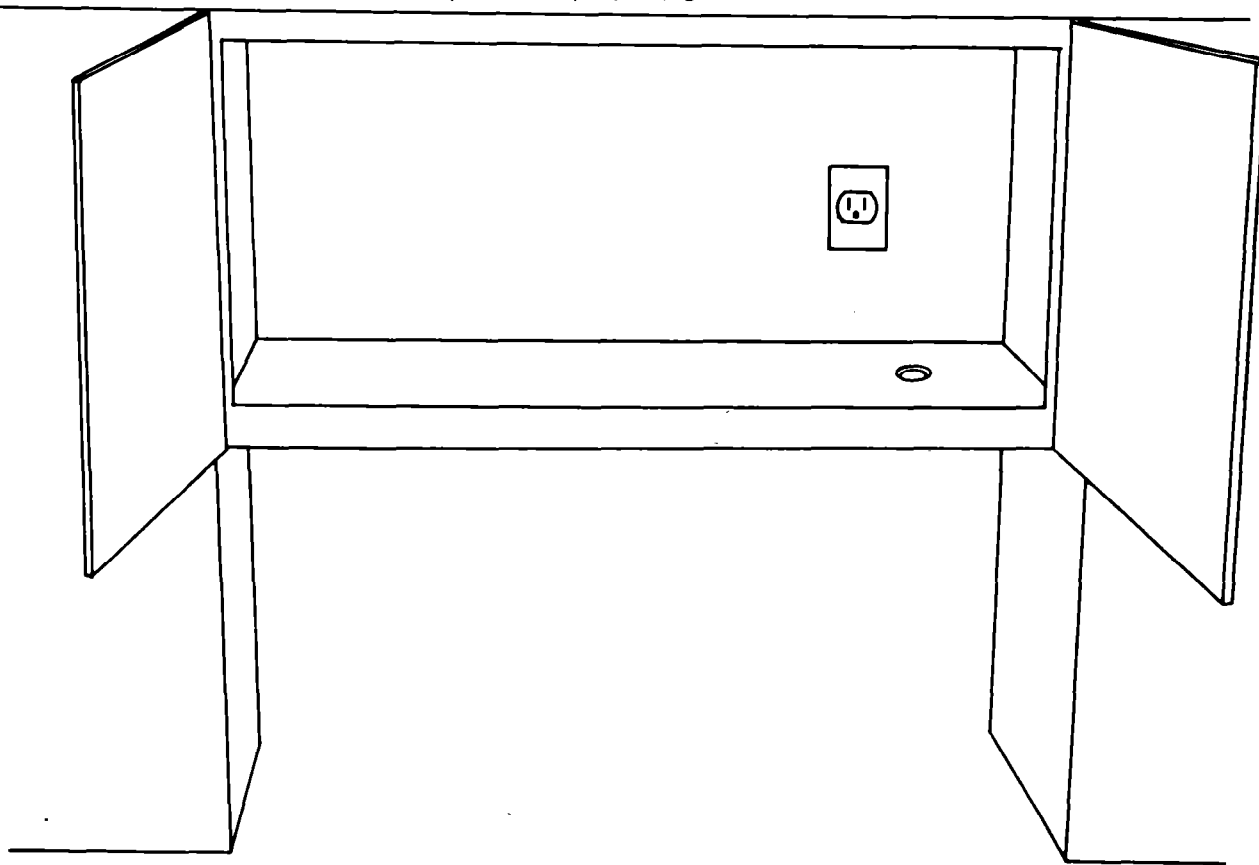
This appliance must be grounded. In the event of an electrical short circuit, grounding reduces the risk of electric shock by providing an escape wire for the electric current. This appliance is equipped with a cord having a grounding wire with a grounding plug. The plug must be plugged into an outlet that is properly installed and grounded.

WARNING — Improper use of the grounding plug can result in a risk of electric shock.

If it is necessary to use an extension cord, use only a 3-wire extension cord that has a 3-blade grounding plug, and a 3-slot receptacle that will accept the plug on the appliance. The marked rating of the extension cord should be AC 115-120 Volt, 15 Amp. or more.

The extension cord should be located in the cabinet above the Microwave/Hood System. It should not hang over edge of cabinet or in front of cooking surface.

Consult a qualified electrician or serviceman if the grounding instructions are not completely understood, or if doubt exists as to whether the appliance is properly grounded.



The power supply cord and plug must be connected to a separate AC 120-Volt, 60 Hz, 15 or 20 Amp. branch circuit, single grounded receptacle. The receptacle should be located inside the cabinet directly above the Microwave/Hood System mounting location.

HOOD EXHAUST DUCT

Outside ventilation requires HOOD EXHAUST DUCT. Read the following carefully.

EXHAUST CONNECTION: The hood exhaust has been designed to mate with a standard 3-1/4" x 10" rectangular duct.

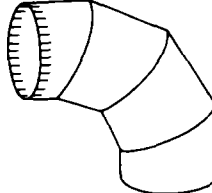
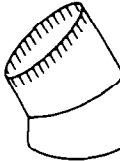
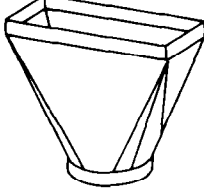
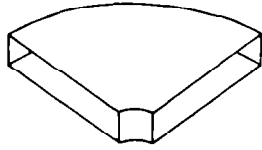
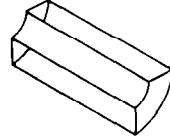
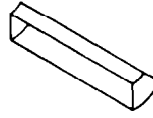
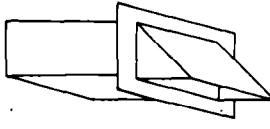
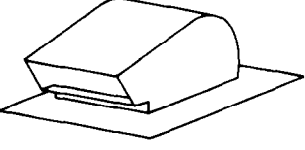
If round duct is required, a rectangular-to-round transition adaptor must be used. Do not use less than a 6" diameter duct.

REAR EXHAUST: If rear or horizontal exhaust is to be used, care should be taken to align exhaust with space between studs, or wall should be prepared at the time it is constructed by leaving enough space between wall studs to accommodate exhaust.

MAXIMUM DUCT LENGTH: For satisfactory air movement, the total duct length of 3-1/4" x 10" rectangular or 6" diameter round duct should not exceed 140 feet.

ELBOWS, TRANSITIONS, WALL and ROOF CAPS, etc. present additional resistance to air flow and are equivalent to a section of straight duct which is longer than their actual physical size. When calculating the total duct length add the equivalent lengths of all transitions and adaptors plus the lengths of all straight duct sections. The diagram below shows the approximate feet of equivalent length of some typical ducts.

EXHAUST DUCT

 <p>90° ELBOW 10 FT.</p>	 <p>45° ELBOW 5 FT.</p>	 <p>TRANSITION ADAPTOR 5 FT.</p>
 <p>10" WIDE ELBOW 10 FT.</p>	 <p>90° ELBOW 25 FT.</p>	 <p>45° ELBOW 5 FT.</p>
 <p>WALL CAP 40 FT.</p>	 <p>ROOF CAP 24 FT.</p>	

TOOLS RECOMMENDED FOR INSTALLATION

Phillips Screw Driver

Electric Drill

5/8", 3/32" Drill Bit

1-1/2" Wood Bit

Saw to cut exhaust opening (if needed)

Protective drop cloth for product and range. You may use part of carton for protection.

Pencil

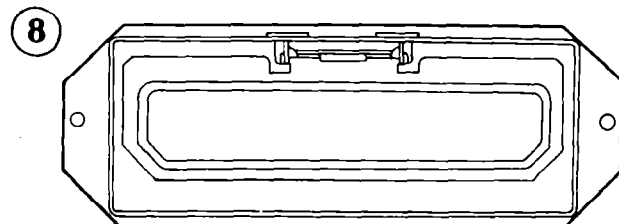
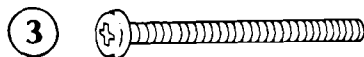
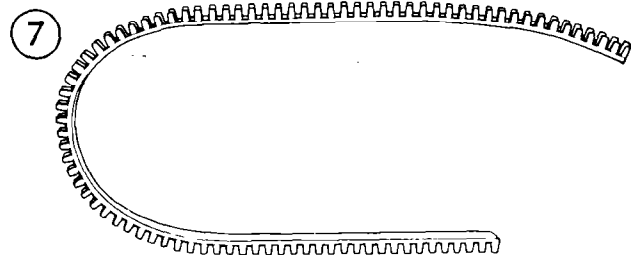
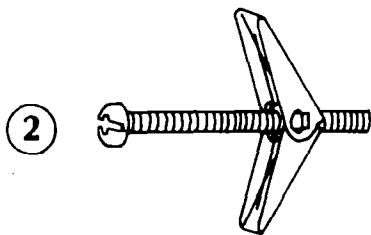
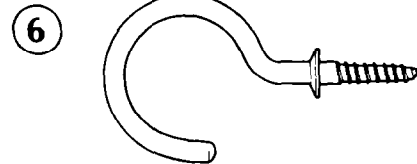
Measure

Tape

INSTALLATION HARDWARE

The installation hardware (① - ⑧) packed with the product should include the following:

NAME	QUANTITY
① Wood Screw 5x30mm	5
② Toggle Bolts 3/16 inch	4
③ Screw 5x55mm	2
④ Flat Washer 30mm Dia.	2
⑤ Tapping Screw 4x12mm	2
⑥ Power Cord Hanger	1
⑦ Grommet	1
⑧ Back Draft Damper	1



PREPARATION OF PRODUCT

REMOVING MOUNTING PLATE

1. Use a portion of the carton or some other material to protect the outercase from being damaged.
2. Stand the unit on its side as shown in **Fig. 1**.

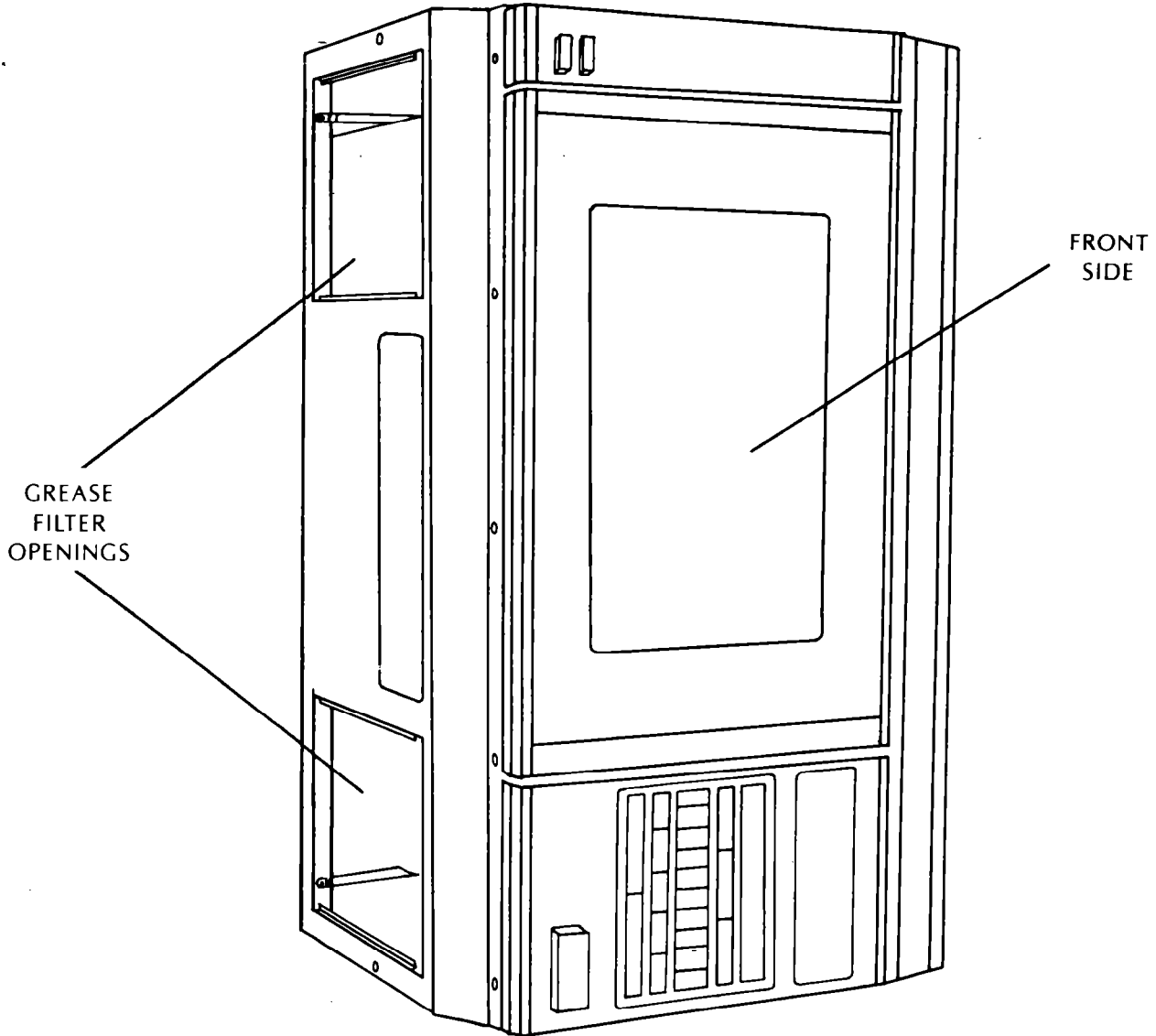


Figure 1

3. Remove and save two hexagonal Phillips head screws (inside grease filter openings) (**Fig. 2**).

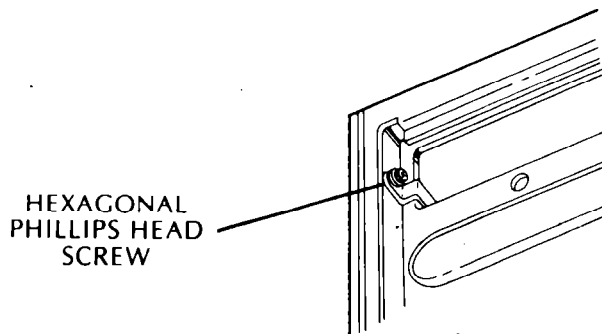


Figure 2

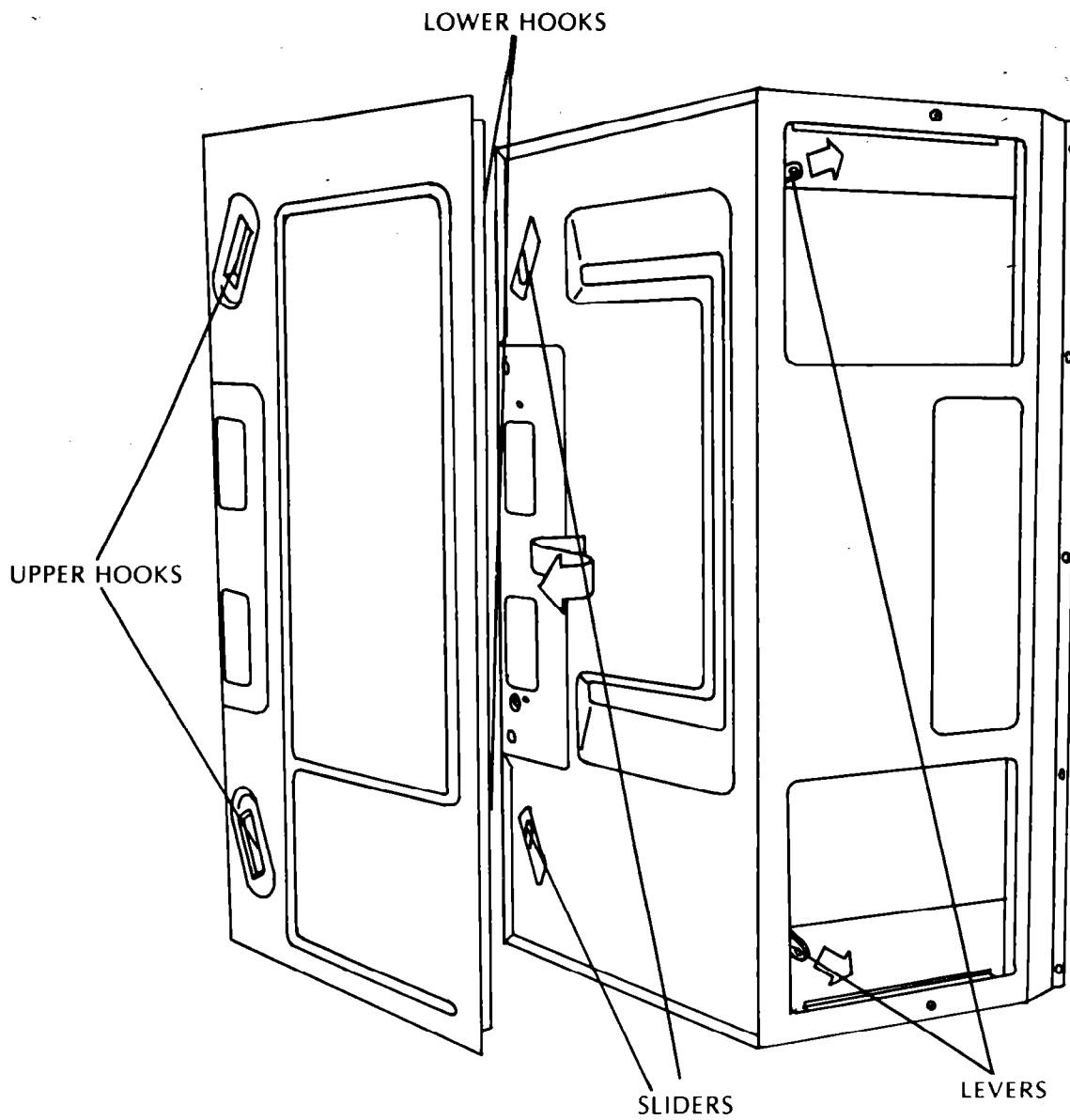


Figure 3

4. Pull out two levers to release sliders from hooks. This action will release mounting plate from back surface of outercase.

Familiarize yourself with the operation of the mounting levers so you will be aware of the proper procedure for mounting the unit to the wall.

Gently pull mounting plate toward you and slide it to the right.

(Mounting plate is attached to outercase at both upper and lower sides.)

VENTILATION SYSTEM

MICROWAVE/HOOD SYSTEM IS DESIGNED FOR ADAPTATION TO THE FOLLOWING THREE (3) TYPES OF VENTILATION SYSTEMS.

Select the type required for your installation.

- a. OUTSIDE VENTILATION: Vertical Exhaust
- b. OUTSIDE VENTILATION: Horizontal Exhaust
- c. RECIRCULATING: Non-Vented, ductless

Installation requires use of charcoal filters packed with product.

Your Microwave/Hood System is set for Vertical Exhaust; follow the procedure listed below to attach the Backdraft Damper if you desire Vertical Exhaust. If you prefer Horizontal Exhaust, proceed to page 11; or for recirculating exhaust, proceed to page 13.

ADAPTING HOOD FAN UNIT FOR ALTERNATE EXHAUST

A. OUTSIDE VENTILATION: Vertical Exhaust

The unit is shipped assembled for Vertical Exhaust. Attach the Backdraft Damper on the outer case cabinet with 2 tapping screws provided (Fig. 4). Proceed to Preparation of Wall and Top Cabinet page 14.

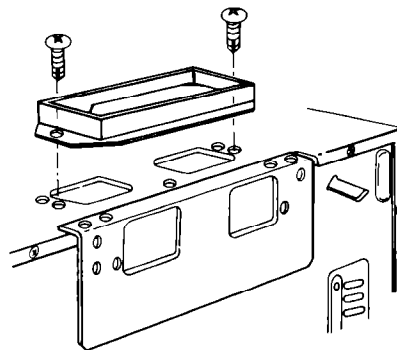


Figure 4

B. OUTSIDE VENTILATION: Horizontal Exhaust

1. Remove and save 9 screws.
Remove rear stay (Fig. 5).

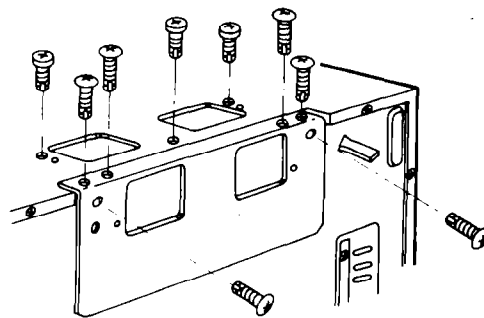


Figure 5

2. Withdraw hood fan unit carefully (Fig. 6).

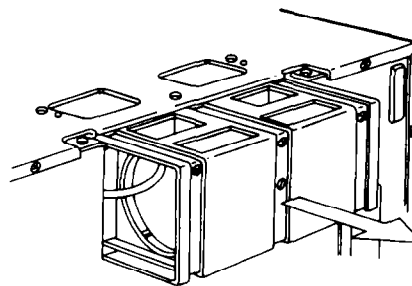


Figure 6

3. Rotate hood fan unit ¼ turn (Fig. 7).

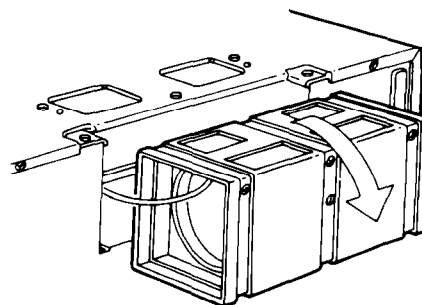


Figure 7

4. Replace hood fan unit into oven unit with left corner side inserted into opening first, right corner next.
Be careful not to pinch the lead wire between the back plate and hood fan unit (Fig. 8).

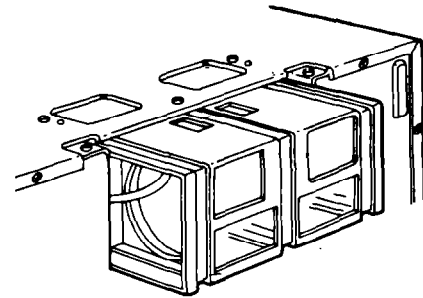


Figure 8

5. Replace the rear stay.

First, attach rear stay to unit with 2 screws (Fig. 9).

Make sure the fan blades are visible through the openings in the rear stay before proceeding.

Safety Screw is located on the rear stay to prevent improper installation. Do not remove this screw. If you cannot attach rear stay to the back plate precisely, the hood fan unit is improperly placed and the safety screw will not line up.

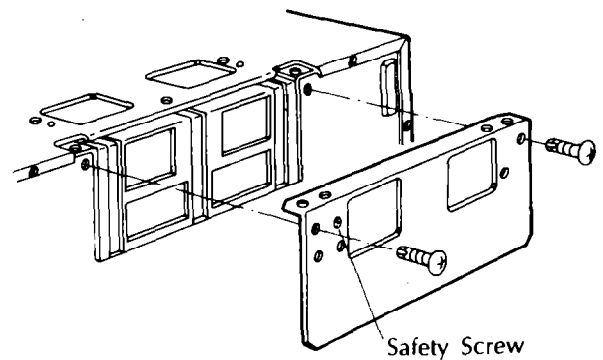


Figure 9

6. Secure, using remaining 7 screws (Fig. 10).

The hood fan unit is now rotated for horizontal exhaust.

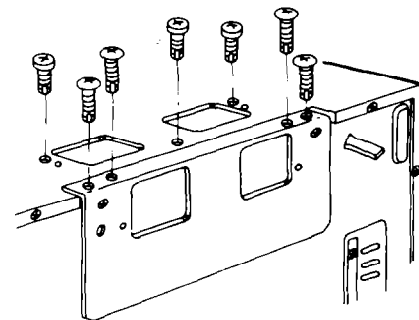


Figure 10

7. See page 15 for Backdraft Damper installation.

C. RECIRCULATING: Non-Vented, Ductless

1. Remove and save 9 screws. Remove rear stay.
(Fig. 5 pg. 11).
2. Withdraw hood fan unit.
(Fig. 6 pg. 11).
3. Change lead wire holding position from left side wire retainer to right side wire retainer (Fig. 11).
4. Rotate hood fan unit so exhaust opening faces in, towards the upper side of the oven.
Replace hood fan unit into oven unit by pressing it as shown (Fig. 12).
Be careful that back plate and hood fan unit do not pinch lead wire.
5. Replace rear stay.
First, attach rear stay to unit with 2 screws
(Fig. 9 pg. 12).
Safety Screw is located on the rear stay to prevent improper installation. Do not remove this screw. If you cannot attach rear stay to the back plate precisely, the hood fan unit is improperly placed and the safety screw will not line up. Check steps 3 & 4 again.
6. Secure using remaining 7 screws (Fig. 10 pg. 12).

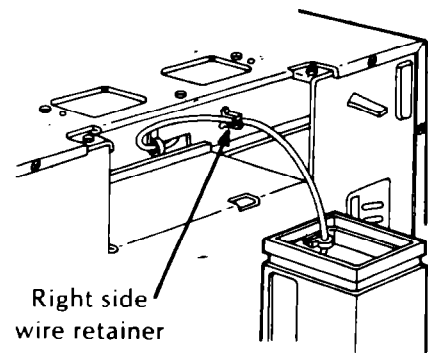


Figure 11

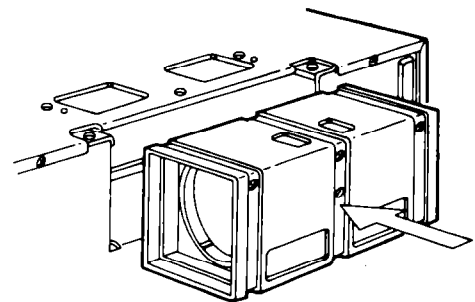


Figure 12

NOTE: Backdraft Damper is not required for recirculating exhaust. It is recommended that the Backdraft Damper be saved should outside venting be decided upon at a later time.

PREPARATION OF WALL AND TOP CABINET

MOUNTING TEMPLATES

CAUTION:

THIS PRODUCT CANNOT BE PROPERLY INSTALLED WITHOUT REFERRING TO MOUNTING INSTRUCTIONS ON BOTH TEMPLATES.

Read and follow mounting information on both Top Cabinet and Wall Templates. Templates are included in the printed matters packed with this oven.

WALL AND TOP CABINET

1. The mounting area on top cabinet and wall must be capable of supporting a minimum of 140 pounds. If wall is not flat, use spacers to fill gaps. Mounting plate must be flat for proper installation.
2. Wall space for installation should be the same as the wall template. Make sure top of wall template is at least 66" from the floor and 30" from the cooking surface.

For easier access to the hood lamp the bottom of Microwave/Hood System should be at least 2" above backsplash of range.

GO TO WALL AND TOP CABINET TEMPLATES.

MOUNTING PLATE INSTALLATION

1. Separate toggle bolts from toggle nuts.
2. Insert one toggle bolt into each hole on the mounting plate (these holes correspond to holes A, B, C and D of the Wall Template) and put toggle nut onto the toggle bolt (Fig. 13). If hole is located in a stud, do not use toggle bolt.
3. If using horizontal exhaust follow these two (2) steps. If method other than horizontal continue to step 4.
 1. Attach Backdraft Damper assy. to the back of mounting plate with 2 tapping screws provided for OUTSIDE VENTILATION, Horizontal Exhaust (Fig. 14).
 2. Connect the Backdraft Damper assy. to the horizontal duct. Insure that Backdraft Damper plate is allowed to move freely. (See Fig. 14a).
4. Insert nut and bolt through the hole in the wall with toggle nut closed (Fig. 15).

NOTE: Before you do this, be sure you leave space at least the thickness of the wall between the mounting plate and the end of toggle nut (in closed position). If you do not leave this space, toggle nut will not open on the other side of wall.

5. Turn toggle bolt clockwise to tighten (Fig. 15a).
6. Secure mounting plate to a minimum of one stud with a wood screw provided.

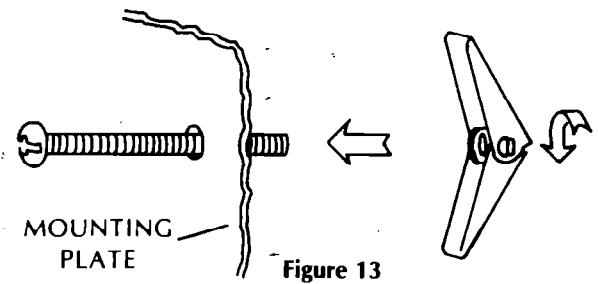


Figure 13

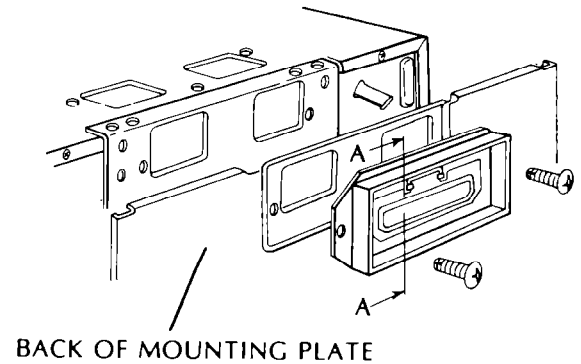


Figure 14

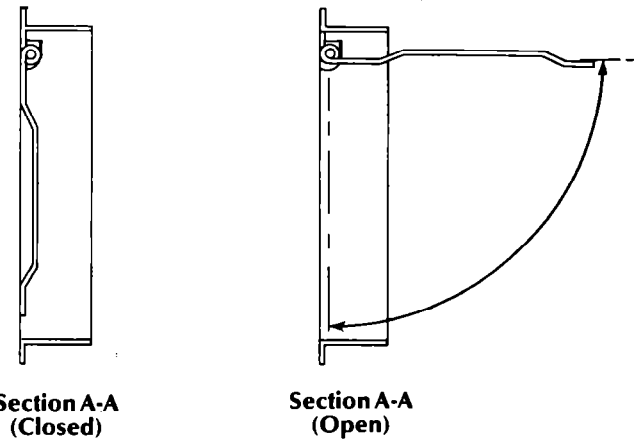


Figure 14a

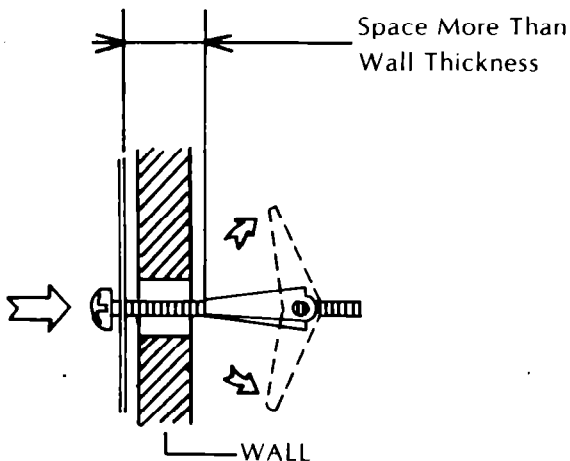


Figure 15

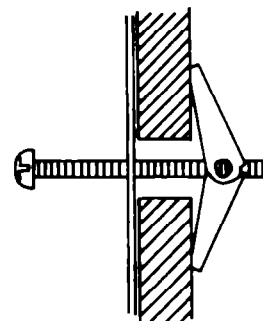


Figure 15a

PRODUCT INSTALLATION

1. Place styrofoam packing blocks (2 pieces) on top surface of range/cooktop.

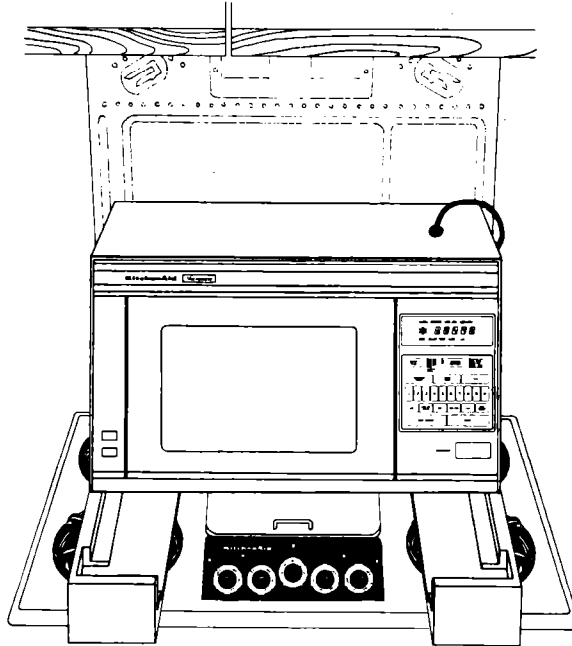


Figure 16

2. Place microwave/hood system on top of styrofoam blocks as shown in **Fig. 16**.
3. Thread power supply cord through the hole at the bottom of top cabinet.
4. Using two (2) people, hang the unit on the hooks at the bottom of the mounting plate. Lift unit upward and hold pressed to the wall.
5. Pull unit slightly out from the mounting plate.
6. Pull levers down. Press unit to mounting plate. Push levers back up.

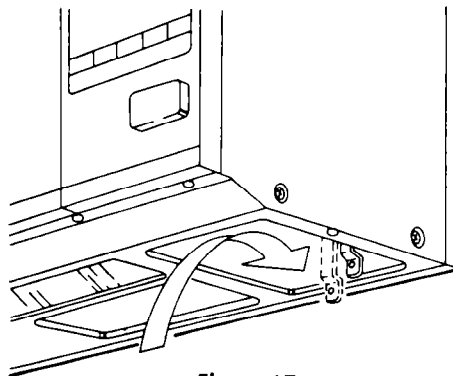


Figure 17

7. Check to be sure the unit is secure to the mounting plate at both upper and lower hooks when you remove your support.
8. Screw hexagonal Phillips head screws to levers (inside grease filter opening) (**Fig. 18**).

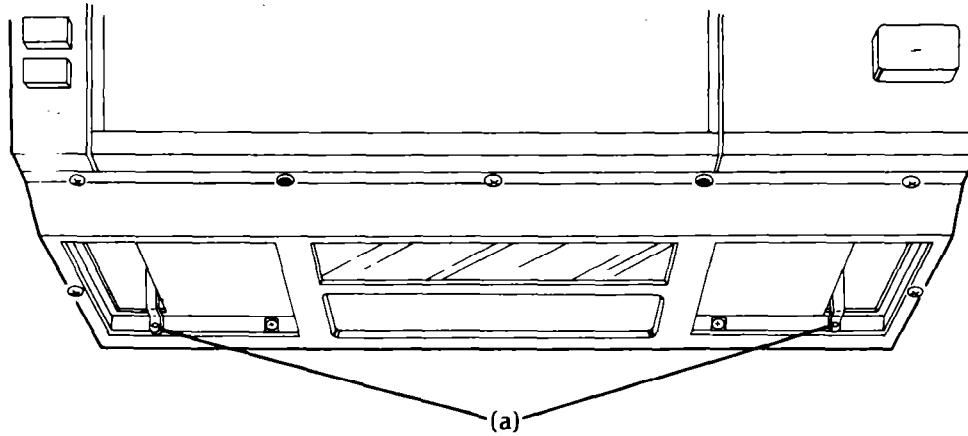


Figure 18

9. Check that both levers (a) are securely fixed. If not, tighten screws (**Fig. 18**).
10. Replace grease filters.

10. Use adjusting screws (c) and flat washers (d) for gaps between top cabinet and unit (Fig. 19).

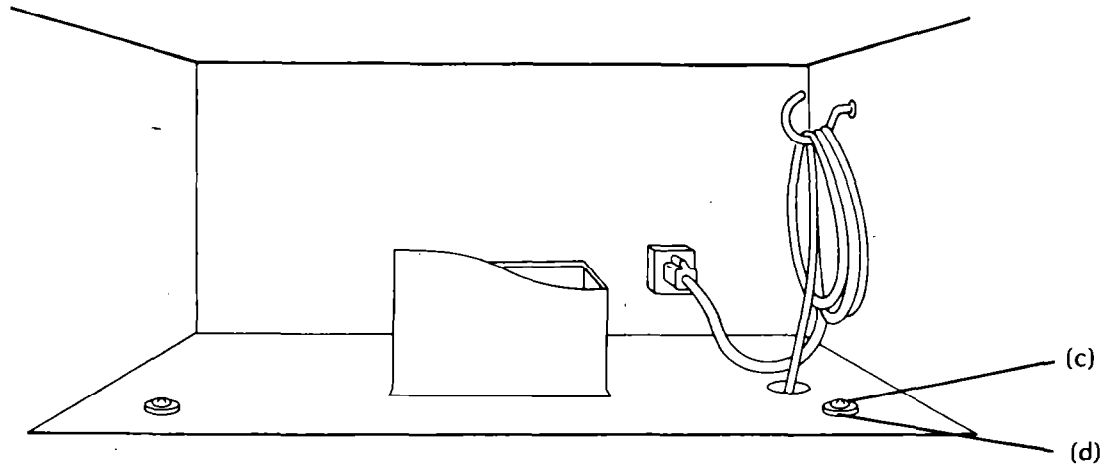


Figure 19

11. Make a bundle of power supply cord, then fix it to cabinet using cord hook.

A short power supply cord is provided to reduce the risks resulting from contacting the cooking surface or from becoming tangled.

Extension cords are available and may be used if care is exercised in their use.

If an extension cord is used, (1) the marked electrical rating of the extension cord should be at least as great as the electrical rating of the appliance, (2) the extension cord must be a grounding-type 3-wire cord, and (3) the extension cord should be arranged so that it will not drape over the countertop or cooking surface where it can be pulled on by children or tripped over accidentally.

CHECK LIST FOR INSTALLATION

1. Make sure unit has been installed according to instructions.
2. Remove all packing material from the oven.
3. Plug in power cord.
4. Read Use and Care Manual.
5. Keep installation instructions for the local electrical inspector's use.

ACCESSORIES

1. **CHARCOAL FILTER KIT (307931)**. Filter is used for recirculating exhaust.

Form #85032

KitchenAid, Inc. St. Joseph, MI 49085

Printed in U.S.A.

4174733

Free Manuals Download Website

<http://myh66.com>

<http://usermanuals.us>

<http://www.somanuals.com>

<http://www.4manuals.cc>

<http://www.manual-lib.com>

<http://www.404manual.com>

<http://www.luxmanual.com>

<http://aubethermostatmanual.com>

Golf course search by state

<http://golfingnear.com>

Email search by domain

<http://emailbydomain.com>

Auto manuals search

<http://auto.somanuals.com>

TV manuals search

<http://tv.somanuals.com>