

CONTROL PANEL PARTS

For Models: KHMS1850SWH0, KHMS1850SBL0, KHMS1850SSS0

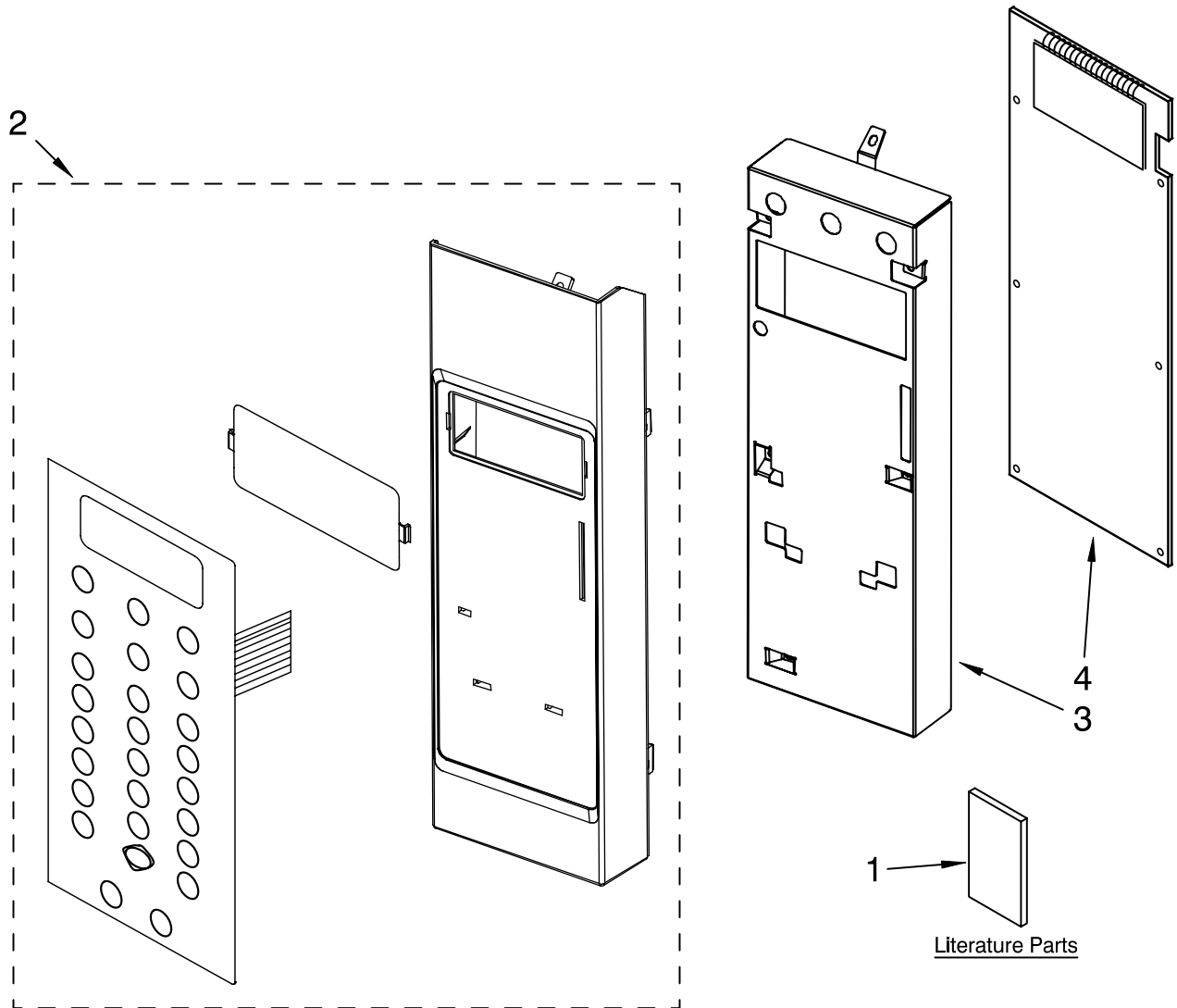
Microwave Hood Combination
1.8 Cu. Ft.

KitchenAid®

(WHITE)

(BLACK)

(STAINLESS)

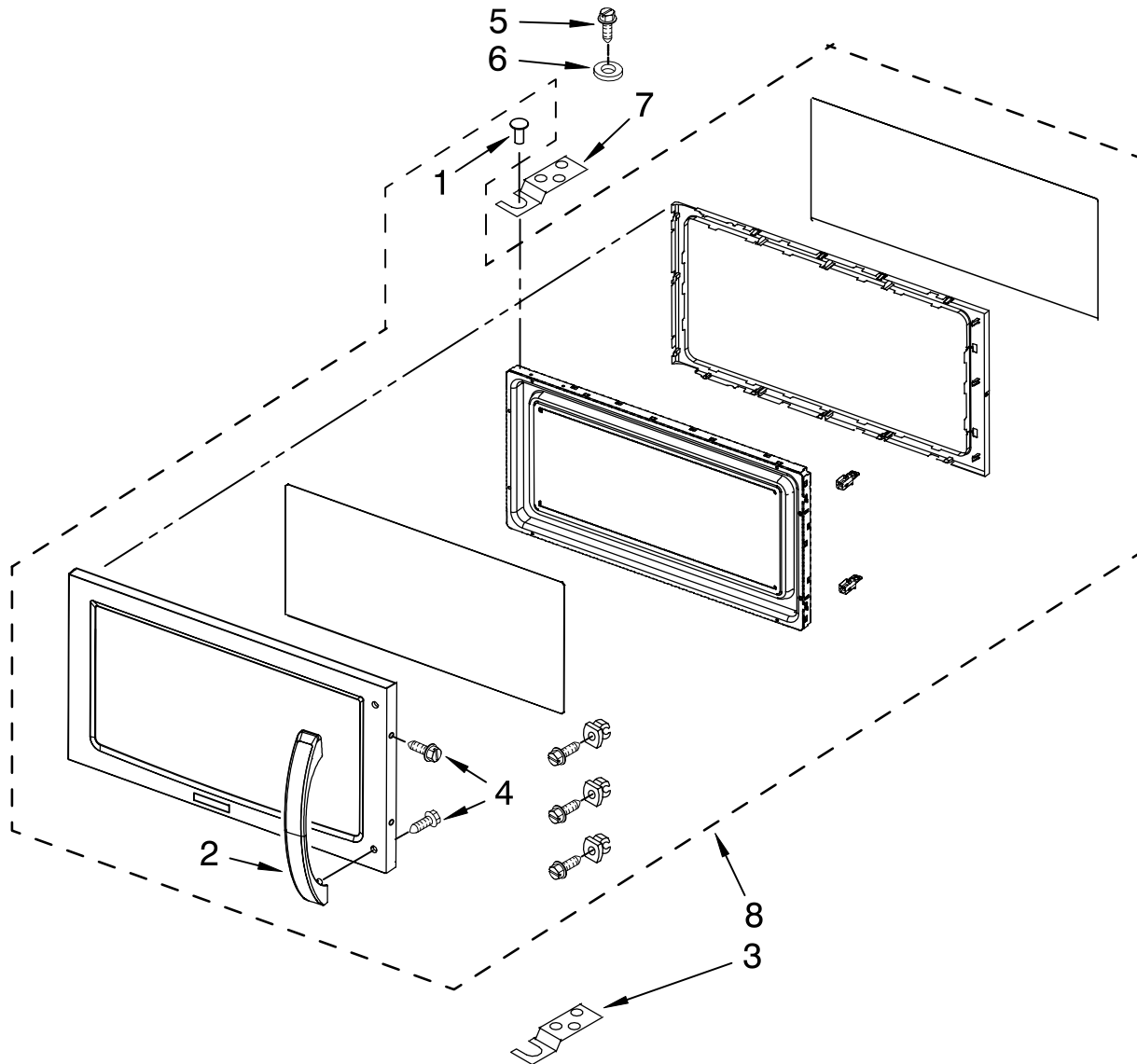


| Illus. No. | Part No. | DESCRIPTION |
|------------|-----------|-----------------------------------|
| 1 | | Literature |
| | W10117796 | Inst. Instructions |
| | 8206647 | U & C Guide |
| | 8206648 | Tech Sheet |
| | 8206649 | Cook Guide Label |
| 2 | | Panel Asy, Control |
| | | Includes Lens and Membrane Switch |
| | W10117923 | White |
| | W10117925 | Black |
| | W10117924 | Stainless |
| 3 | W10117927 | Bracket, Control |
| 4 | W10117928 | Microcomputer |

FOR ORDERING INFORMATION REFER TO PARTS PRICE LIST

DOOR PARTS

For Models: KHMS1850SWH0, KHMS1850SBL0, KHMS1850SSS0
 (WHITE) (BLACK) (STAINLESS)



| Illus. No. | Part No. | DESCRIPTION |
|------------|-----------|---------------|
| 1 | 8184922 | Pivot, Door |
| 2 | 8206501 | Handle, Door |
| | W10116265 | White |
| | W10110267 | Black |
| | W10110267 | Stainless |
| 3 | W10114254 | Lower Hinge |
| 4 | 8169479 | Screw |
| 5 | 8204690 | Screw |
| 6 | 8204691 | Washer |
| 7 | W10114255 | Upper Hinge |
| 8 | | Complete Door |
| | W10117920 | White |
| | W10117922 | Black |
| | W10117921 | Stainless |

FOR ORDERING INFORMATION REFER TO PARTS PRICE LIST

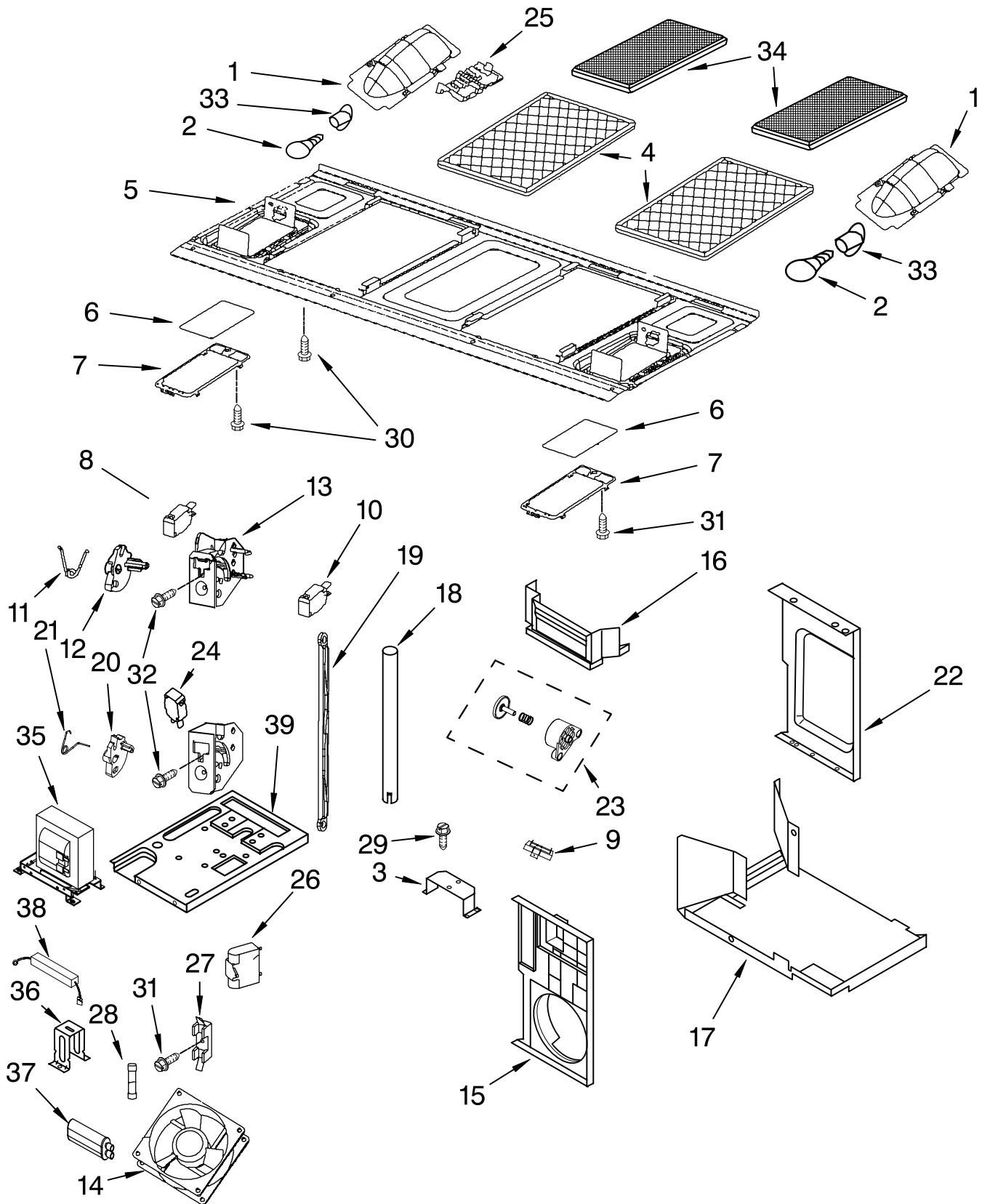
INTERIOR AND VENTILATION PARTS

For Models: KHMS1850SWH0, KHMS1850SBL0, KHMS1850SSS0

(WHITE)

(BLACK)

(STAINLESS)



FOR ORDERING INFORMATION REFER TO PARTS PRICE LIST

INTERIOR AND VENTILATION PARTS

For Models: KHMS1850SWH0, KHMS1850SBL0, KHMS1850SSS0

(WHITE)

(BLACK)

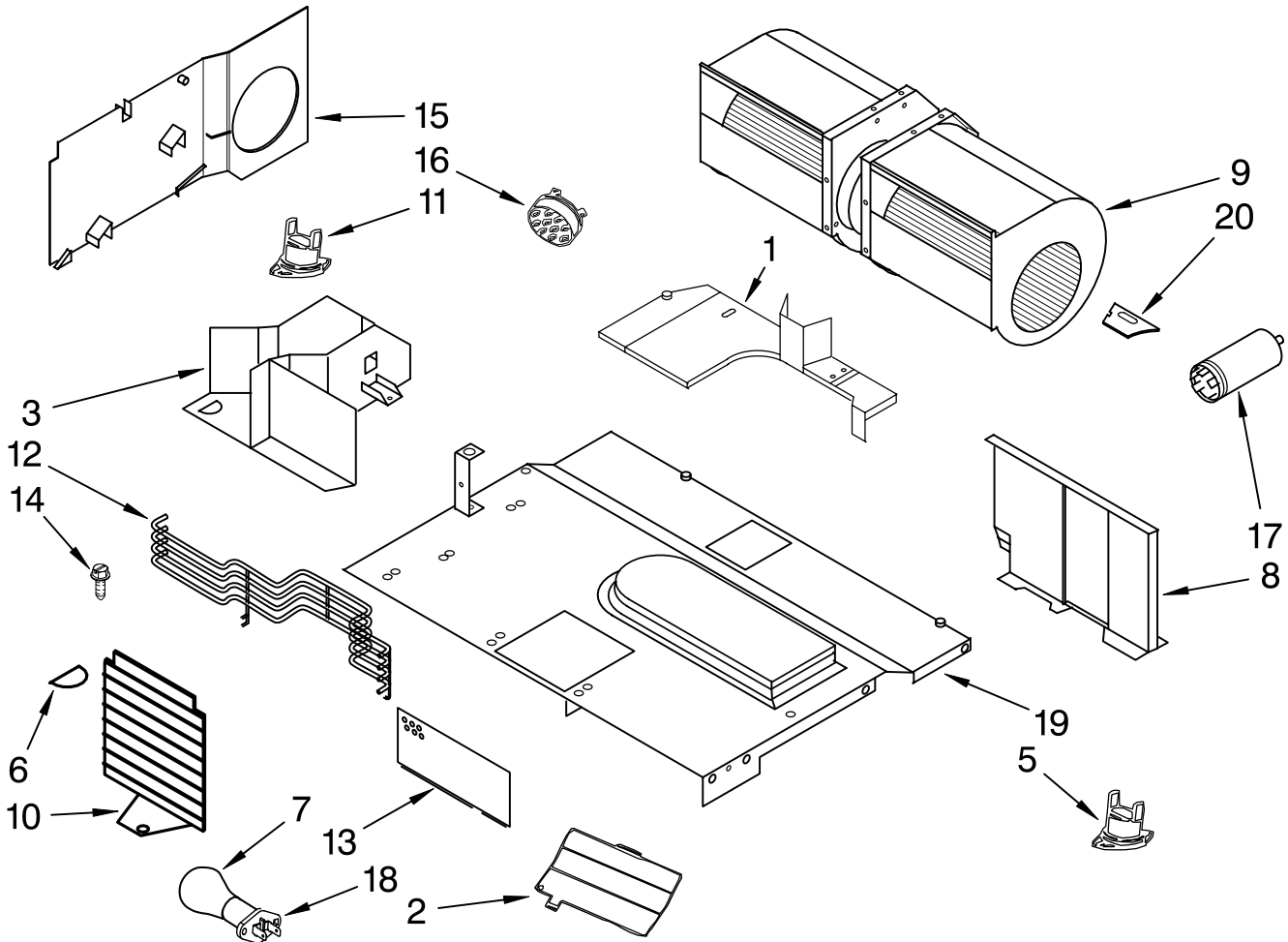
(STAINLESS)

| Illus. No. | Part No. | DESCRIPTION |
|-------------------|-----------------|------------------------------------|
| 1 | 8205096 | Reflector, Lamp |
| 2 | W10112515 | Lamp |
| 3 | 8205578 | TC0, Brkt. Assy. |
| 4 | W10113040 | Filter, Grease |
| 5 | 8205366 | Plate, Bottom |
| 6 | 8184141 | Glass, Lamp |
| 7 | 8184889 | Holder, Glass |
| 8 | 8206345 | Switch, Micro Primary/Secondary |
| 9 | 8205152 | Resistor |
| 10 | 8206352 | Switch, Micro |
| 11 | 8169438 | Spring, Interlock |
| 12 | 8183824 | Plate, Cam |
| 13 | W10117909 | Support, Interlock |
| 14 | 8205362 | Fan, DC 12 Volt |
| 15 | 8205364 | Housing, Fan |
| 16 | W10117906 | Shield,Wtr.Spill. |
| 17 | 8205357 | Diffuser, Housing |
| 18 | W10117907 | Tube,Watershoot |
| 19 | 8185190 | Rod-Locking Link |
| 20 | W10117910 | Plate, Cam |
| 21 | W10117911 | Spring, Interlock |
| 22 | 8206455 | Plate, Side |
| 23 | W10117912 | Piston Assembly |
| 24 | 8206347 | Switch, Micro |
| 25 | 8184202 | Cover, Terminal |
| 26 | 8184091 | Motor, Capacitor |
| 27 | W10117908 | Holder, Fuse |
| 28 | 4393308 | Fuse |
| 29 | 8184199 | Screw |
| 30 | 4393835 | Screw |
| 31 | 8184200 | Screw |
| 32 | 8169477 | Screw |
| 33 | 8169539 | Holder, Lamp |
| 34 | W10112514 | Filter, Charcoal |
| 35 | 8206456 | Transformer, H.V. |
| 36 | 8206457 | Bracket, Capacitor |
| 37 | W10117913 | Capacitor, H.V. |
| 38 | 8205361 | Diode, H.V. |
| 39 | W10117914 | Chassis |

FOR ORDERING INFORMATION REFER TO PARTS PRICE LIST

AIR FLOW PARTS

For Models: KHMS1850SWH0, KHMS1850SBL0, KHMS1850SSS0
(WHITE) (BLACK) (STAINLESS)



| Illus. No. | Part No. | DESCRIPTION |
|------------|-----------|-----------------|
| 1 | 8205350 | Deflector, Air |
| 2 | W10117848 | Cover, Lamp |
| 3 | 8205368 | Duct, Air |
| 5 | 8183703 | Thrmst, Exh.Fan |
| 6 | 8204676 | Cover |
| 7 | 8183993 | Lamp |
| 8 | 8205354 | Air Guide, Back |

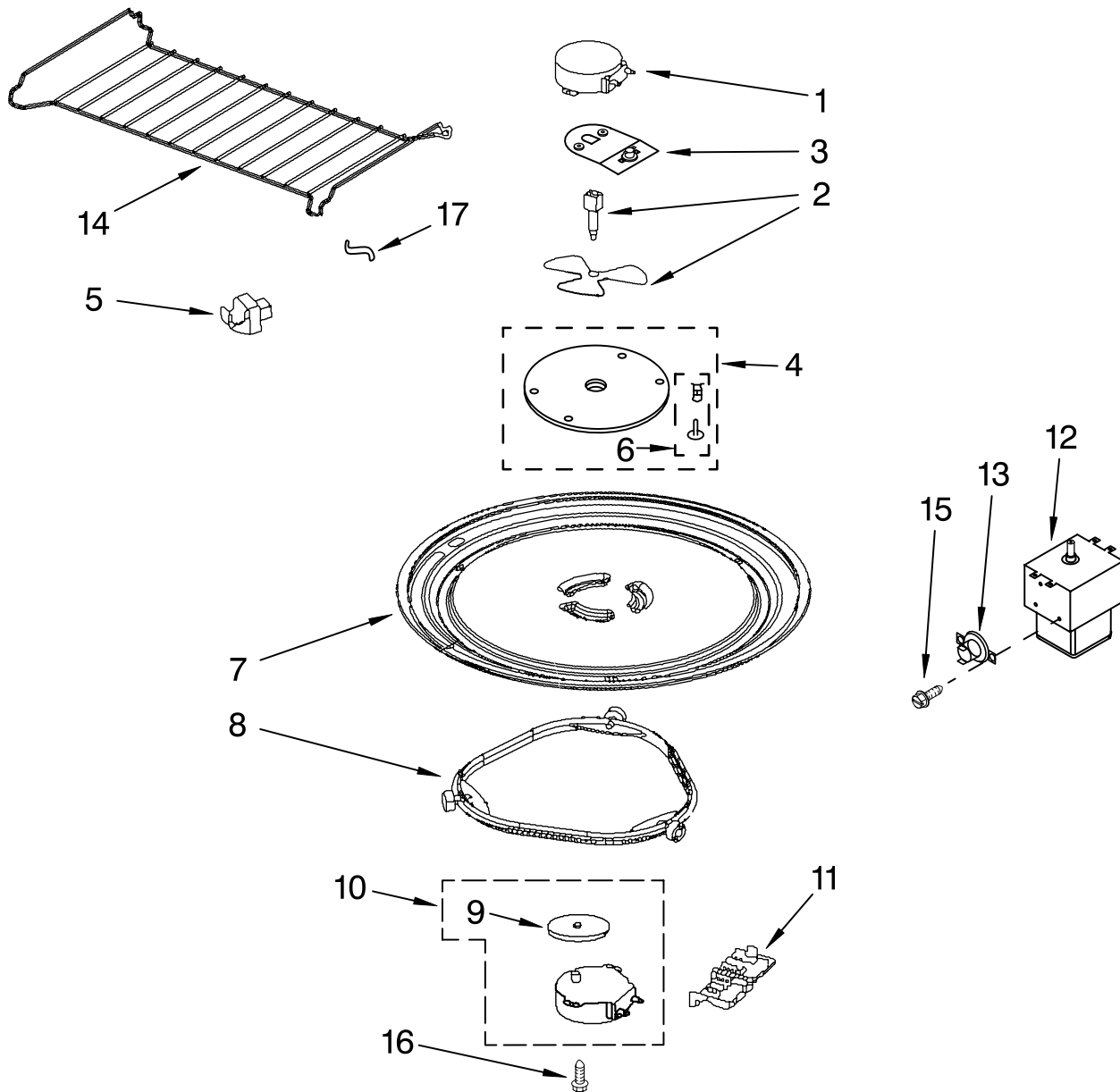
| Illus. No. | Part No. | DESCRIPTION |
|------------|-----------|-----------------|
| 9 | W10117942 | Motor, Fan Assy |
| 10 | 8206460 | Shield (Left) |
| 11 | 8183999 | Thrmst, Cavity |
| 12 | W10117915 | Shield (Middle) |
| 13 | W10117916 | Shield (Right) |
| 14 | 8169474 | Screw |
| 15 | | Air Guide |
| | 8205367 | Left |
| | 8205352 | Right |

| Illus. No. | Part No. | DESCRIPTION |
|------------|-----------|-----------------------|
| 16 | 8206446 | Humidity, Sensor |
| 17 | 8206624 | Filter |
| 18 | 8169539 | Holder, Lamp |
| 19 | 8205351 | Base Plate, Air Guide |
| 20 | W10117846 | Socket, Motor Wire |

FOR ORDERING INFORMATION REFER TO PARTS PRICE LIST

MAGNETRON AND TURNTABLE PARTS

For Models: KHMS1850SWH0, KHMS1850SBL0, KHMS1850SSS0
(WHITE) (BLACK) (STAINLESS)



| Illus. No. | Part No. | DESCRIPTION |
|------------|----------|---|
| 1 | 8205044 | Motor, Stirrer |
| 2 | 8205202 | Stirrer Shaft/Blade |
| 3 | 8206454 | Thermostat/Bracket |
| 4 | 8184476 | Cover, Inlet Includes Nails and Bushings |

| Illus. No. | Part No. | DESCRIPTION |
|------------|-----------|-------------------------------|
| 5 | 8206118 | Hook, Rack (4) |
| 6 | 8184549 | Nails/Bushings (4 of each) |
| 7 | 4393799 | Turntable |
| 8 | 8206227 | Ring, Turntable |
| 9 | W10107780 | Spacer, Waterproof |
| 10 | 8183953 | Motor, Turntable |

| Illus. No. | Part No. | DESCRIPTION |
|------------|-----------|-----------------|
| 11 | W10110598 | Cover, Terminal |
| 12 | 8205363 | Magnetron |
| 13 | 8184951 | Thermostat |
| 14 | 8205549 | Rack |
| 15 | 4393838 | Screw |
| 16 | 4393832 | Screw |
| 17 | W10117929 | Spacer (4) |

FOR ORDERING INFORMATION REFER TO PARTS PRICE LIST

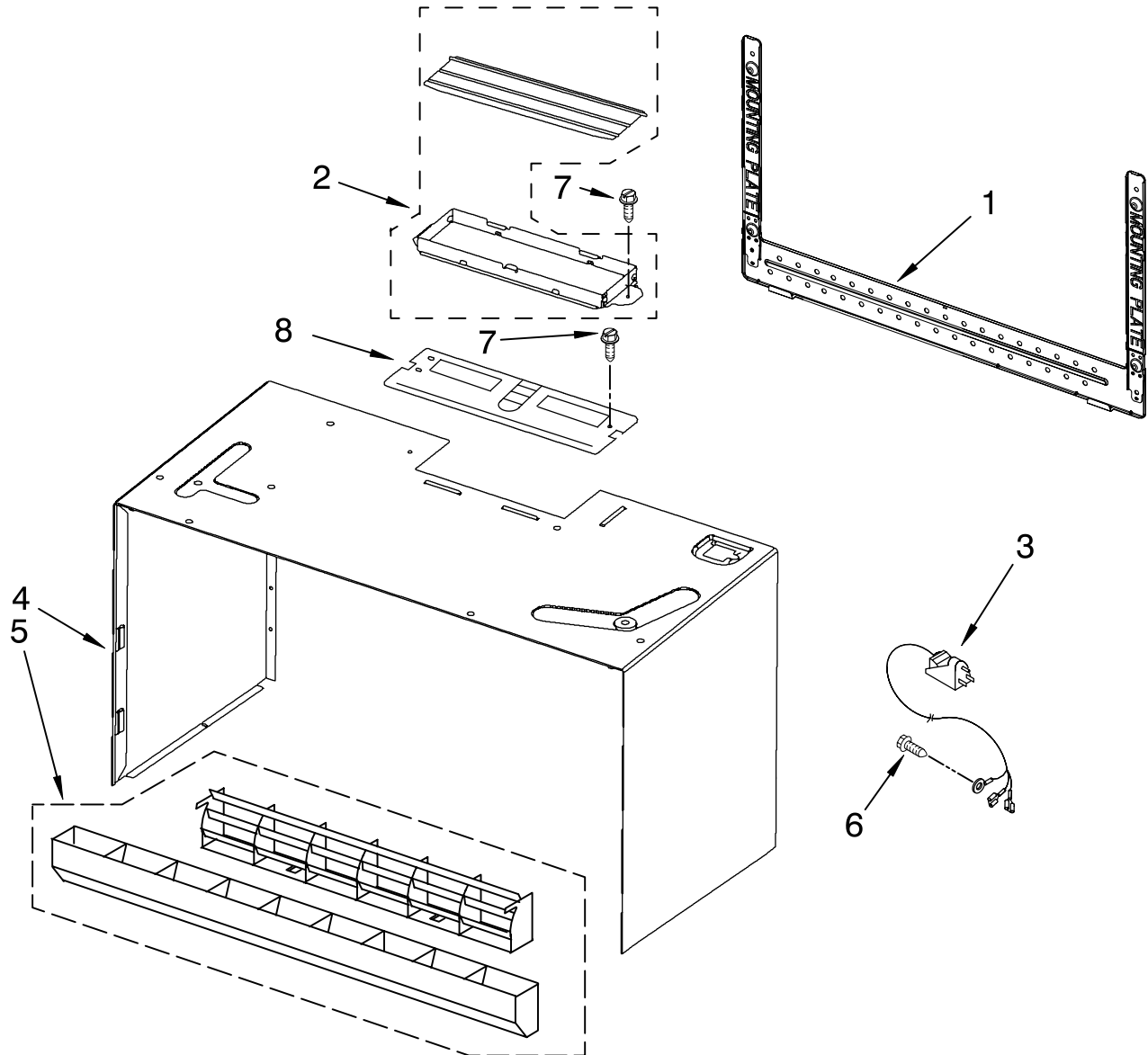
CABINET AND INSTALLATION PARTS

For Models: KHMS1850SWH0, KHMS1850SBL0, KHMS1850SSS0

(WHITE)

(BLACK)

(STAINLESS)



| Illus. No. | Part No. | DESCRIPTION |
|------------|-----------|-----------------|
| 1 | 8206315 | Plate, Mounting |
| 2 | 8206442 | Damper Assembly |
| 3 | 8205808 | Cord, Power |
| 4 | | Case, Outer |
| | W10117844 | White |
| | W10117845 | Black |

| Illus. No. | Part No. | DESCRIPTION |
|------------|-----------|-----------------|
| 5 | | Grille, Vent |
| | W10117917 | White |
| | W10117918 | Black |
| | W10117919 | Stainless Steel |
| 6 | 4393836 | Screw |
| 7 | 4393472 | Screw |
| 8 | 8206452 | Plate, Damper |

| Illus. No. | Part No. | DESCRIPTION |
|------------|----------|-------------|
|------------|----------|-------------|

FOLLOWING PARTS NOT ILLUSTRATED

Miscellaneous

| | |
|-----------|------------------------|
| 8205948 | Installation, Hardware |
| 8184731 | Template, Upper |
| 8169704 | Screw, Top Mountng |
| 8205696 | Ground Wire |
| W10117932 | H.V. Wire Assembly |
| W10117930 | Main Wire Assy |
| W10117931 | Lamp/TT Wire Assy. |
| w10117933 | Therm. Harns-Wire |
| W10117934 | Wire-Grnd, AC Line |

FOR ORDERING INFORMATION REFER TO PARTS PRICE LIST

Free Manuals Download Website

<http://myh66.com>

<http://usermanuals.us>

<http://www.somanuals.com>

<http://www.4manuals.cc>

<http://www.manual-lib.com>

<http://www.404manual.com>

<http://www.luxmanual.com>

<http://aubethermostatmanual.com>

Golf course search by state

<http://golfingnear.com>

Email search by domain

<http://emailbydomain.com>

Auto manuals search

<http://auto.somanuals.com>

TV manuals search

<http://tv.somanuals.com>