

KitchenAid®

MICROWAVE OVEN

Use & Care Guide

In Canada, call for assistance **1-800-461-5681**, for installation and service, call: **1-800-807-6777**
or visit our website at... **www.KitchenAid.ca**

FOUR À MICRO-ONDES

Guide d'utilisation et d'entretien

Au Canada, pour assistance composez le **1-800-461-5681**, pour installation ou service composez le **1-800-807-6777**
ou visitez notre site web à... **www.KitchenAid.ca**

Table of Contents/Table des matières 2



Model/Modèle YKCMS1555R
8205543/3828W5A8154

TABLE OF CONTENTS

MICROWAVE OVEN SAFETY	3
INSTALLATION INSTRUCTIONS	5
Unpacking	5
Location Requirements	5
Electrical Requirements	5
PARTS AND FEATURES	6
Turntable	6
MICROWAVE OVEN CONTROL	6
Display	7
Start	7
Easy Start	7
Cancel	7
Clock	7
Tones.....	7
Timer.....	7
Control Lock.....	8
Demo Mode.....	8
Personal Choice	8
MICROWAVE OVEN USE	8
Food Characteristics	8
Cooking Guidelines	8
Cookware and Dinnerware	9
Aluminum Foil and Metal	9
Cooking Power.....	9
Cooking	10
Cooking in Stages.....	10
Custom Cooking	10
Custom Defrosting	11
Auto Sensor Cooking.....	11
Auto Sensor Popcorn.....	12
Auto Sensor Reheat	12
Keep Warm.....	12
MICROWAVE OVEN CARE	13
General Cleaning.....	13
TROUBLESHOOTING	14
ASSISTANCE OR SERVICE	15
Replacement Parts.....	15
Built-in Kits	15
WARRANTY	16

TABLE DES MATIÈRES

SÉCURITÉ DU FOUR À MICRO-ONDES	17
INSTRUCTIONS D'INSTALLATION	19
Déballage.....	19
Exigences d'emplacement	19
Spécifications électriques	20
PIÈCES ET CARACTÉRISTIQUES	20
Plateau rotatif	20
COMMANDE DU FOUR À MICRO-ONDES	21
Affichage.....	21
Mise en marche.....	21
Easy Start (mise en marche facile).....	21
Annulation.....	21
Horloge	21
Signaux sonores.....	22
Minuterie.....	22
Verrouillage des commandes.....	22
Mode de démonstration.....	22
Personal Choice (choix personnel)	22
UTILISATION DU FOUR À MICRO-ONDES	23
Caractéristiques des aliments.....	23
Guide de cuisson.....	23
Ustensiles de cuisson et vaisselle.....	24
Papier d'aluminium et métal.....	24
Puissance de cuisson	25
Cuisson.....	25
Cuisson par étapes	25
Cuisson personnalisée	26
Décongélation personnalisée.....	26
Cuisson par détection automatique.....	27
Maïs éclaté - détection automatique	27
Réchauffage - détection automatique	28
Keep Warm (maintien au chaud).....	28
ENTRETIEN DU FOUR À MICRO-ONDES	29
Nettoyage général	29
DÉPANNAGE	30
ASSISTANCE OU SERVICE	31
Pièces de rechange.....	31
Trousses pour fours encastrés	31
GARANTIE	32

MICROWAVE OVEN SAFETY

Your safety and the safety of others are very important.

We have provided many important safety messages in this manual and on your appliance. Always read and obey all safety messages.



This is the safety alert symbol.

This symbol alerts you to potential hazards that can kill or hurt you and others.

All safety messages will follow the safety alert symbol and either the word "DANGER" or "WARNING." These words mean:

⚠ DANGER

You can be killed or seriously injured if you don't immediately follow instructions.

⚠ WARNING

You can be killed or seriously injured if you don't follow instructions.

All safety messages will tell you what the potential hazard is, tell you how to reduce the chance of injury, and tell you what can happen if the instructions are not followed.

IMPORTANT SAFETY INSTRUCTIONS

When using electrical appliances basic safety precautions should be followed, including the following:

WARNING: To reduce the risk of burns, electric shock, fire, injury to persons, or exposure to excessive microwave energy:

- Read all instructions before using the microwave oven.
- Read and follow the specific "PRECAUTIONS TO AVOID POSSIBLE EXPOSURE TO EXCESSIVE MICROWAVE ENERGY" found in this section.
- The microwave oven must be grounded. Connect only to properly grounded outlet. See "GROUNDING INSTRUCTIONS" found in this section and in the provided Installation Instructions.
- Install or locate the microwave oven only in accordance with the provided Installation Instructions.
- Some products such as whole eggs in the shell and sealed containers – for example, closed glass jars – are able to explode and should not be heated in the microwave oven.
- Use the microwave oven only for its intended use as described in this manual. Do not use corrosive chemicals or vapors in the microwave oven. This type of oven is specifically designed to heat, cook, or dry food. It is not designed for industrial or laboratory use.
- As with any appliance, close supervision is necessary when used by children.
- Do not operate the microwave oven if it has a damaged cord or plug, if it is not working properly, or if it has been damaged or dropped.
- The microwave oven should be serviced only by qualified service personnel. Call an authorized service company for examination, repair, or adjustment.
- See door surface cleaning instructions in the "Microwave Oven Care" section.
- To reduce the risk of fire in the oven cavity:
 - Do not overcook food. Carefully attend the microwave oven when paper, plastic, or other combustible materials are placed inside the oven to facilitate cooking.
 - Remove wire twist-ties from paper or plastic bags before placing bags in oven.
 - If materials inside the oven ignite, keep oven door closed, turn oven off, and disconnect the power cord, or shut off power at the fuse or circuit breaker panel.
 - Do not use the cavity for storage purposes. Do not leave paper products, cooking utensils, or food in the cavity when not in use.

SAVE THESE INSTRUCTIONS

IMPORTANT SAFETY INSTRUCTIONS

- Liquids, such as water, coffee, or tea are able to be overheated beyond the boiling point without appearing to be boiling. Visible bubbling or boiling when the container is removed from the microwave oven is not always present. **THIS COULD RESULT IN VERY HOT LIQUIDS SUDDENLY BOILING OVER WHEN THE CONTAINER IS DISTURBED OR A SPOON OR OTHER UTENSIL IS INSERTED INTO THE LIQUID.**

To reduce the risk of injury to persons:

- Do not overheat the liquid.
- Stir the liquid both before and halfway through heating it.
- Do not use straight-sided containers with narrow necks.
- After heating, allow the container to stand in the microwave oven for a short time before removing the container.
- Use extreme care when inserting a spoon or other utensil into the container.
- Do not operate any heating or cooking appliance beneath the microwave oven.
- Do not mount microwave oven over or near any portion of a heating or cooking appliance.
- Oversized foods or oversized metal utensils should not be inserted in the microwave oven as they may create a fire or risk of electric shock.

- Do not clean with metal scouring pads. Pieces can burn off the pad and touch electrical parts involving a risk of electric shock.
- Do not use paper products when appliance is operated in the "PAN BROWN" mode (on models with this feature).
- Do not store any materials, other than manufacturer's recommended accessories, in this microwave oven when not in use.
- Do not store anything directly on top of the microwave oven when the microwave oven is in operation.
- Do not cover or block any openings on the microwave oven.
- Do not store this microwave oven outdoors. Do not use the microwave oven near water - for example, near a kitchen sink, in a wet basement, or near a swimming pool, or similar locations.
- Do not immerse cord or plug in water.
- Keep cord away from heated surfaces.
- Do not let cord hang over edge of table or counter.
- Do not mount over a sink.
- Do not cover racks or any other part of the microwave oven with metal foil. This will cause overheating of the microwave oven.

SAVE THESE INSTRUCTIONS

PRECAUTIONS TO AVOID POSSIBLE EXPOSURE TO EXCESSIVE MICROWAVE ENERGY

- (a) Do not attempt to operate this oven with the door open since open-door operation can result in harmful exposure to microwave energy. It is important not to defeat or tamper with the safety interlocks.
- (b) Do not place any object between the oven front face and the door or allow soil or cleaner residue to accumulate on sealing surfaces.
- (c) Do not operate the oven if it is damaged. It is particularly important that the oven door close properly and that there is no damage to the:
 - (1) Door (bent),
 - (2) Hinges and latches (broken or loosened),
 - (3) Door seals and sealing surfaces.
- (d) The oven should not be adjusted or repaired by anyone except properly qualified service personnel.

This device complies with Part 18 of the FCC Rules.

INSTALLATION INSTRUCTIONS

Unpacking

1. Empty the microwave oven of any packing materials.
2. Clean the inside with a soft, damp cloth.
3. Check for damage, such as:
 - a door that is not lined up correctly
 - damage around the door, or
 - dents on the interior or exterior of the microwave oven.

If there is any damage, do not operate the microwave oven until a designated service technician has checked it and made any needed repairs.

Location Requirements

⚠ WARNING



Fire Hazard

Do not install oven next to or over a heat source without a UL approved (CSA approved in Canada) trim kit.

Doing so can result in death, fire, or electrical shock.

⚠ WARNING

Excessive Weight Hazard

Use two or more people to move and install microwave oven.

Failure to do so can result in back or other injury.

IMPORTANT: The control side of the unit is the heavy side. Handle the microwave oven gently. The weight of the microwave oven is more than 35 lbs (15.9 kg).

- Place the microwave oven on a cart, counter, table or shelf that is strong enough to hold the microwave oven and the food and utensils you place inside it.
- The microwave oven should be at a temperature above 50°F (10°C) for proper operation.

NOTE: Some models can be built into a wall or cabinet by using one of the trim kits listed in the "Microwave Oven Built-In Trim Kit Installation Instructions."

- Do not block the exhaust vents or air intake openings. Allow a few inches of space at the back of the microwave oven where the exhaust vents are located. Blocking the exhaust vents could cause damage to the microwave oven, as well as poor cooking results.

- Make sure the microwave oven legs are in place to ensure proper airflow. If vents are blocked, a sensitive thermal safety device may automatically turn the microwave oven off. The microwave oven should work properly once it has cooled.

Electrical Requirements

⚠ WARNING



Electrical Shock Hazard

Plug into a grounded 3 prong outlet.

Do not remove ground prong.

Do not use an adapter.

Do not use an extension cord.

Failure to follow these instructions can result in death, fire, or electrical shock.

Observe all governing codes and ordinances. A 120 Volt, 60 Hz, AC only, 15- or 20-amp fused electrical supply (or circuit breaker) is required. (A time-delay fuse is recommended.) It is recommended that a separate circuit serving only this appliance be provided.

GROUNDING INSTRUCTIONS

- **For all cord connected appliances:**
The microwave oven must be grounded. In the event of an electrical short circuit, grounding reduces the risk of electric shock by providing an escape wire for the electric current. The microwave oven is equipped with a cord having a grounding wire with a grounding plug. The plug must be plugged into an outlet that is properly installed and grounded.

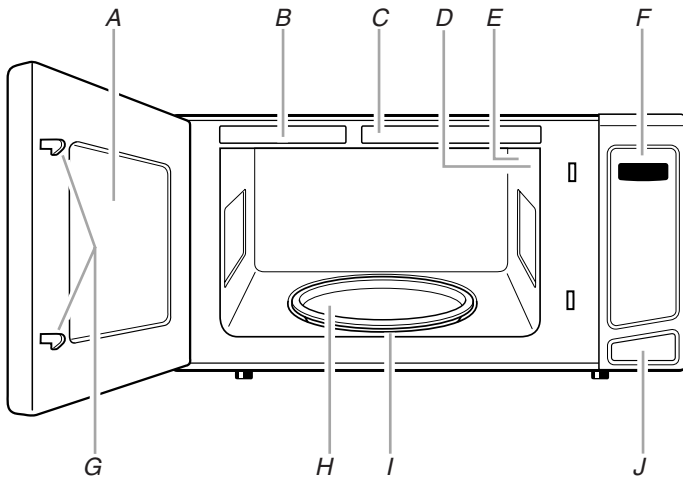
WARNING: Improper use of the grounding plug can result in a risk of electric shock. Consult a qualified electrician or serviceman if the grounding instructions are not completely understood, or if doubt exists as to whether the microwave oven is properly grounded.

Do not use an extension cord. If the power supply cord is too short, have a qualified electrician or serviceman install an outlet near the microwave oven.

SAVE THESE INSTRUCTIONS

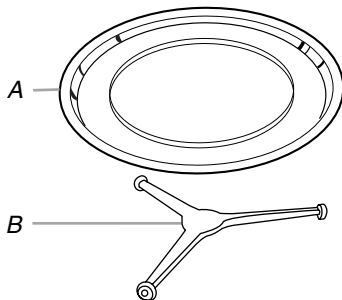
PARTS AND FEATURES

This manual may cover several different models. The model you have purchased may have some or all of the features shown here. The appearance of your particular model may differ slightly from the illustrations in this manual.



- A. Metal shielded window
- B. Model and serial number plate
- C. Cooking guide label
- D. Microwave oven light
- E. Microwave inlet cover
- F. Control panel
- G. Door safety lock system
- H. Glass turntable
- I. Turntable support
- J. Door open push button

Turntable



- A. Turntable
- B. Support

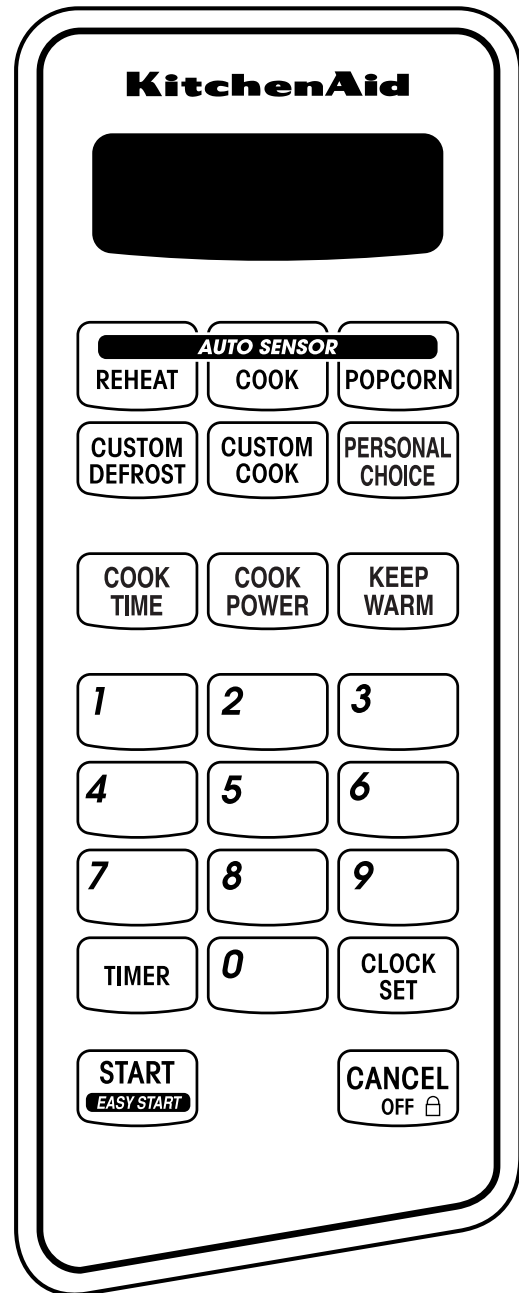
The turntable can rotate in either direction to help cook food more evenly. Do not operate the oven without having the turntable in place. See "Assistance or Service" to reorder any of the parts.

To Install:

1. Place the support on the oven cavity bottom.
2. Place the turntable on the support.

Fit the raised, curved lines in the center of the turntable bottom between the three spokes of the support. The rollers on the support should fit inside the turntable bottom ridge.

MICROWAVE OVEN CONTROL



Display

When power is first supplied to the microwave oven, “:” will appear in the display. If the “:” appears in the display at any other time, a power failure has occurred. Reset the clock if needed.

When the microwave oven is in use, the display shows cook time remaining. When the microwave oven is not in use, the display shows the time of day (if the clock is set) or Timer countdown.

Start

The START pad begins any function. If non-sensor cooking is interrupted, touching START will resume the preset cycle. Touching START will not resume an interrupted sensor cycle.

Easy Start

Cook time may be added to a manual cook cycle by touching the EASY START (START) pad. Touching EASY START during the cycle will add 30 seconds of cook time at the current cook power. Each additional touch adds 30 seconds of cook time, up to 3 minutes, then 1 minute of cook time, up to 10 minutes.

The EASY START pad will also start the microwave oven at 100% power for 30 seconds after the door is closed or CANCEL is touched. Additional time may be added by touching EASY START.

Cancel

The CANCEL pad clears any incorrect command and cancels most functions except for the Timer and Control Lock. It will not erase the time of day.

The oven will also turn off when the door is opened. Close the door and touch START to resume the non-sensor cycle.

Clock

This is a 12-hour or 24-hour clock.

To Set Clock:

The microwave oven and Timer must be off.

1. Touch CLOCK SET.
2. Touch number pads to correct time of day.
3. Touch CLOCK SET.

The hour format may be changed, and the clock may be hidden using Personal Choice.

To Change Clock Display:

1. Touch PERSONAL CHOICE 5 times.
“Clock” will appear in the display, then instructions will scroll.
2. Touch “1” for 12-hour format, “2” for 24-hour format, or “3” to turn off.
3. Touch START.

When the clock is turned off, the display will be blank.

Tones

Tones are audible signals, indicating the following:

One tone

- Valid entry
- Hidden feature entered

Two tones

- End of stage in multistage cooking
- Invalid entry (short tones)
- Every minute after end-of-cycle tones, as reminder
- Hidden feature exited

Three tones

- End of cycle

Five tones

- End of Timer countdown
- During defrost cycle, as reminder to check, turn, rearrange, or separate food

Tone volume may be adjusted, or the tones may be disabled using Personal Choice.

To Change Tones Settings:

1. Touch PERSONAL CHOICE.
“Sound Volume” will appear in the display, then instructions will scroll.
 2. Touch “1” for low volume, “2” for medium, “3” for high, or touch “4” to turn off tones.
 3. Touch START.
-

Timer

The Timer can be set in minutes and seconds, up to 99 minutes, 99 seconds, and counts down the set time.

NOTE: The Timer does not start or stop the microwave oven.

Cook functions may be used while the Timer is counting down. When the cook function is active in the display, touch TIMER to see the Timer countdown for 5 seconds.

To Set:

1. Touch TIMER.
2. Touch number pads to enter desired time.
3. Touch TIMER or START, or allow the Timer to start automatically after a brief delay.
When the set time ends, “TIMER END” will scroll across the display and the end-of-Timer tones will sound.
4. Touch TIMER at anytime while the Timer countdown is active in the display to cancel the Timer.
Remember, touching CANCEL will turn off the microwave oven.

The time can be reset during the countdown by repeating the above steps.

Control Lock

The Control Lock shuts down the control panel pads to prevent unintended use of the microwave oven. If any pad is touched while the Control Lock is active, "LOCKED" will appear in the display.

To Lock/Unlock Control: Touch and hold CANCEL for approximately 5 seconds until 1 tone sounds and "LOCKED" appears in the display. Repeat to unlock the control. Two tones will sound, and "UNLOCK" will appear in the display.

Demo Mode

The Demo Mode is ideal for learning how to use the microwave oven. When set, functions can be entered without actually turning on the magnetron. While functions are operating in the Demo Mode, the microwave oven light will come on, the fan will run, the countdown will run very quickly in the display, the turntable will rotate, and the tones will sound.

To Turn On/Off Demo Mode: Touch and hold TIMER for 5 seconds until 1 tone sounds, and "DEMO ON" appears in the display. Repeat to turn off Demo Mode.

Personal Choice

Settings can be selected, and displays can be changed by touching PERSONAL CHOICE.

TOUCH PAD	SETTING	NUMBER PAD = OPTION
Once	Sound volume	1=Low, 2=Medium, 3=High, 4=Off
Twice	Weight	1=lbs, 2=kgs
3 times	Language	1=English, 2=French, 3=Spanish
4 times	Scroll speed	1=Slow, 2=Medium, 3=Fast
5 times	Clock	1=12 hrs, 2=24 hrs, 3=Off

1. Touch PERSONAL CHOICE repeatedly to scroll through the settings until the desired setting is displayed. Instructions for that setting will scroll across the display.
 2. Touch the appropriate number pad to select the desired setting option.
 3. Touch START.
-

MICROWAVE OVEN USE

A magnetron in the oven produces microwaves which reflect off the metal floor, walls and ceiling and pass through the turntable and appropriate cookware to the food. Microwaves are attracted to and absorbed by fat, sugar and water molecules in the food, causing them to move, producing friction and heat which cooks the food.

- Do not lean on or allow children to swing on the microwave oven door.
- Do not operate microwave oven when it is empty.
- The turntable must be in place and correct side up when microwave oven is in use. Do not use if turntable is chipped or broken. See "Assistance or Service" section to reorder.
- Baby bottles and baby food jars should not be heated in microwave oven.
- Clothes, flowers, fruit, herbs, wood, gourds, paper, including brown paper bags and newspaper, should not be dried in microwave oven.
- Do not use the microwave oven for canning, sterilizing or deep frying. The microwave oven cannot maintain appropriate temperatures.
- Paraffin wax will not melt in the microwave oven because it does not absorb microwaves.
- Use oven mitts or pot holders when removing containers from microwave oven.
- Do not overcook potatoes. At the end of the recommended cook time, potatoes should be slightly firm. Let potatoes stand for 5 minutes. They will finish cooking while standing.
- Do not cook or reheat whole eggs inside the shell. Steam buildup in whole eggs may cause them to burst. Cover poached eggs and allow a standing time.

Food Characteristics

When microwave cooking, the amount, size and shape, starting temperature, composition and density of the food affect cooking results.

Amount of Food

The more food heated at once, the longer the cook time. Check for doneness and add small increments of time if necessary.

Size and Shape

Smaller pieces of food will cook more quickly than larger pieces, and uniformly shaped foods cook more evenly than irregularly shaped food.

Starting Temperature

Room temperature foods will heat faster than refrigerated foods, and refrigerated foods will heat faster than frozen foods.

Composition and Density

Foods high in fat and sugar will reach a higher temperature, and will heat faster than other foods. Heavy, dense foods, such as meat and potatoes, require a longer cook time than the same size of a light, porous food, such as cake.

Cooking Guidelines

Covering

Covering food helps retain moisture, shorten cook time and reduce spattering. Use the lid supplied with cookware. If a lid is not available, wax paper, paper towels or plastic wrap approved for microwave ovens may be used. Plastic wrap should be turned back at one corner to provide an opening to vent steam. Condensation on the door and cavity surfaces is normal during heavy cooking.

Stirring and Turning

Stirring and turning redistribute heat evenly to avoid overcooking the outer edges of food. Stir from outside to center. If possible, turn food over from bottom to top.

Arranging

If heating irregularly shaped or different sized foods, arrange the thinner parts and smaller sized items toward the center. If cooking several items of the same size and shape, place them in a ring pattern, leaving the center of the ring empty.

Piercing

Before heating, use a fork or small knife to pierce or prick foods that have a skin or membrane, such as potatoes, egg yolks, chicken livers, hot dogs, and sausage. Prick in several places to allow steam to vent.

Shielding

Use small, flat pieces of aluminum foil to shield the thin pieces of irregularly shaped foods, bones and foods such as chicken wings, leg tips and fish tail. See "Aluminum Foil and Metal" first.

Standing Time

Food will continue to cook by the natural conduction of heat even after the microwave cooking cycle ends. The length of standing time depends on the volume and density of the food.

Cookware and Dinnerware

Cookware and dinnerware must fit on the turntable. Always use oven mitts or pot holders when handling because any dish may become hot from heat transferred from the food. Do not use cookware and dinnerware with gold or silver trim. Use the following chart as a guide, then test before using.

MATERIAL	RECOMMENDATIONS
Aluminum Foil, Metal	See "Aluminum Foil and Metal" section.
Browning Dish	Bottom must be at least 3/16" (5 mm) above the turntable. Follow manufacturer's recommendations.
Ceramic Glass, Glass	Acceptable for use.
China, Earthenware	Follow manufacturer's recommendations.
Melamine	Follow manufacturer's recommendations.
Paper: Towels, Dinnerware, Napkins	Use nonrecycled and those approved by the manufacturer for microwave oven use.
Plastic: Wraps, Bags, Covers, Dinnerware, Containers	Use those approved by the manufacturer for microwave oven use.
Pottery and Clay	Follow manufacturer's recommendations.
Styrofoam*	Do not use in microwave oven.
Straw, Wicker, Wooden Containers	Do not use in microwave oven.
Wax Paper	Acceptable for use.

To Test Cookware or Dinnerware for Microwave Use:

- Put cookware or dinnerware in microwave oven with 1 cup (250 mL) of water beside it.
- Cook at 100% cooking power for 1 minute.

Do not use cookware or dinnerware if it becomes hot and the water stays cool.

Aluminum Foil and Metal

Always use oven mitts or pot holders when removing dishes from the microwave oven.

Aluminum foil and some metal can be used in the microwave oven. If not used properly, arcing (a blue flash of light) can occur and cause damage to the microwave oven.

OK for Use

Racks and bakeware supplied with the microwave oven (on some models), aluminum foil for shielding, and approved meat thermometers may be used with the following guidelines:

- Do not allow aluminum foil or metal to touch the inside cavity walls, ceiling or floor.
- Always use the turntable.
- Do not allow contact with another metal object during cooking.

Do Not Use

Metal cookware and bakeware, gold, silver, pewter, non-approved meat thermometers, skewers, twist ties, foil liners such as sandwich wrappers, staples and objects with gold or silver trim or a metallic glaze should not be used in the microwave oven.

Cooking Power

Many recipes for microwave cooking specify which cooking power to use by percent, name or number. For example, 70%=7=Medium-High.

Use the following chart as a general guide for the suggested cooking power of specific foods.

PERCENT/NAME	NO.	USE
100%, High (default setting)	10	Quick heating convenience foods and foods with high water content, such as soups, beverages and most vegetables.
90%	9	Cooking small, tender pieces of meat, ground meat, poultry pieces and fish fillets. Heating cream soups.
80%	8	Heating rice, pasta or casseroles. Cooking and heating foods that need a cook power lower than high. For example, whole fish and meat loaf.
70%, Medium-High	7	Reheating a single serving of food.
60%	6	Cooking sensitive foods such as cheese and egg dishes, pudding and custards. Cooking non-stirrabable casseroles, such as lasagna.

PERCENT/NAME	NO.	USE
50%, Medium	5	Cooking ham, whole poultry and pot roasts. Simmering stews.
40%	4	Melting chocolate. Heating bread, rolls and pastries.
30%, Medium-Low, Defrost	3	Defrosting bread, fish, meats, poultry and precooked foods.
20%	2	Softening butter, cheese, and ice cream.
10%, Low	1	Taking chill out of fruit.

Cooking

To Use:

1. Touch COOK TIME.
"STAGE 1" will appear briefly, then "ENTER COOK TIME" will scroll across display. Enter the length of time to cook.
If cooking with 100% power, skip Step 2.
2. Touch COOK POWER, then set the desired cooking power. See "Cooking Power."
3. Touch START.
When the cycle ends, "END" will appear in the display, and the end-of-cycle tones will sound, followed by reminder tones.
4. Touch CANCEL or open the door to clear the display.
Cook time may be added in 30-second increments during the cycle by touching EASY START (START).

Cooking in Stages

The microwave oven can be set to cook at different cooking powers for various lengths of time, up to 3 stages, plus a warming stage.

To Cook in Stages:

1. Touch COOK TIME.
"STAGE 1" will briefly appear, then "ENTER COOK TIME" will scroll across display. Enter the length of time to cook during the 1st stage.
2. Touch COOK POWER, then enter the desired cooking power for the 1st stage. See "Cooking Power."
3. Repeat steps 1 and 2 for each additional stage.
Keep Warm may be programmed to follow the last stage by touching KEEP WARM at any time during stage programming.
4. Touch START.
Two tones will sound between stages.
When the cycle ends, "END" will appear in the display, and the end-of-cycle tones will sound, followed by reminder tones.
5. Touch CANCEL or open the door to clear the display and/or stop reminder tones.

Cook time may be added in 30-second increments during the cycling stage by touching EASY START (START).

Custom Cooking

Times and cooking power have been preset for certain microwavable foods. Use the following chart as a guide.

FOOD	NO.	QUANTITY/INSTRUCTIONS
Bacon*	1	2-6 slices, average thickness/ Follow package directions.
Beverage	2	1 or 2 cups, 8 oz (250 mL) each/ Do not cover. The diameter of the cup's opening will affect how the liquid heats. Beverages in cups with smaller openings may heat faster.
Frozen Roll/Muffin (prebaked)	3	1-4 pieces, 2 oz (57 g) each**/ Place on paper towel.
Fresh Roll/Muffin (prebaked)	4	1-4 pieces, 2 oz (57 g) each**/ Place on paper towel.
Oatmeal	5	1-6 servings/ Follow package directions. Use microwavable bowls with high sides.

*Differences in the amount of fat, meat, thickness, and curing process affect results. Average is 16 slices per pound.

**For smaller rolls, 2 rolls may be counted as 1 piece.

To Use Custom Cook:

1. Touch CUSTOM COOK repeatedly to scroll through foods
or
Touch number pad of desired food type from chart.
2. Enter quantity.
3. Touch START or wait for the microwave oven to start automatically after a brief delay.
The display will count down the cook time.
When the cycle ends, "END" will appear in the display, and the end-of-cycle tones will sound, followed by reminder tones.
4. Touch CANCEL or open the door to clear the display and/or stop reminder tones.

Custom Defrosting

The Custom Defrost feature's preset programs can be used, or the microwave oven can be manually set to defrost. To defrost manually, use 30% cook power. Refer to a reliable cookbook for defrosting information.

- Food should be 0°F (-18°C) or colder at defrosting for optimal results. How foods are stored can affect results.
- Unwrap foods and remove lids (for example, from fruit juice containers) before defrosting.
- Shallow packages will defrost more quickly than thick blocks.
- Separate food pieces as soon as possible during or at the end of the cycle for more even defrosting.
- Use small pieces of aluminum foil to shield parts of food such as chicken wings, leg tips and fish tails. See "Aluminum Foil and Metal" first.

The Custom Defrost feature has preset times and cook powers for 3 categories: Meat, Poultry and Fish. Custom Defrost should not be used for food that has been left outside the freezer for more than 20 minutes, or for frozen ready-made food. Use the following chart as a guide.

MEAT

<i>Beef:</i> ground, steaks, roast, stew	The narrow or fatty areas of irregular shaped cuts should be shielded with foil before defrosting.
<i>Lamb:</i> stew and chops	
<i>Pork:</i> chops, ribs, roasts, sausage	Do not defrost less than 1/4 lb (113 g) or two 4 oz (113 g) patties. Place all meats in microwavable baking dish. Do not cover.

POULTRY

<i>Chicken:</i> whole and cut up	Place in microwavable baking dish, chicken breast side up. Do not cover.
<i>Cornish hens</i>	
<i>Turkey:</i> breast	

FISH

<i>Filletts, Steaks, Whole, Shellfish</i>	Place in microwavable baking dish. Do not cover.
---	--

To Use Custom Defrost:

1. Touch CUSTOM DEFROST.
The display will show the setting for defrosting Meat. Touch CUSTOM DEFROST a second time for the Poultry setting, and a third time for the Fish setting.
2. Enter the weight.
Weight can be set from 0.1 lb to 6.0 lbs (45 g to 2.7 kg).
3. Touch START.
The display will count down the defrost time.
During defrosting, 5 short tones will sound. These tones indicate it is time to check, turn, rearrange or separate food. Open door, turn food if necessary, close door and touch START to resume defrosting.
When the cycle ends, "END" will appear in the display, and the end-of-cycle tones will sound, followed by reminder tones.
4. Touch CANCEL or open the door to clear the display and/or stop reminder tones.

Auto Sensor Cooking

The sensor in the microwave oven detects humidity released from the food and automatically sets a cooking time based on the selected food category.

Use the following chart as a guide.

FOOD	QUANTITY	INSTRUCTIONS
Baked Potatoes	1-4 medium, 10-13 oz (283-369 g) each	Pierce each one several times with a fork. Place on turntable around edges, at least 1" (2.5 cm) apart. Let stand 5 minutes after cooking.
Frozen Vegetables	1-4 cups (250 mL-1 L)	Remove from package. Place in microwavable container. Cover with plastic wrap and vent. Stir and let stand 2-3 minutes after cooking.
Fresh Vegetables	1-4 cups (250 mL-1 L)	Place in microwavable container and add 2-4 tbs (30-60 mL) water. Cover with plastic wrap and vent. Stir and let stand 2-3 minutes after cooking.
Frozen Entrée	10-20 oz (283-567 g)	Remove from package. Loosen cover on three sides. If entrée is not in microwavable container, place on plate, cover with plastic wrap and vent.
Rice	0.5-2 cups (125-500 mL) dry rice (Use medium or long grain rice.)	Follow measurements on package for ingredient amounts. Place rice and liquid in microwavable dish. Cover with loose-fitting lid. Let stand 5 minutes after cooking, or until liquid is absorbed. Stir.
Fish	0.25-2 lbs (113-907 g)	Place in microwavable dish. Cover with plastic wrap and vent. Let stand 2-3 minutes after cooking.
Seafood		

NOTE: When covering foods, make sure the vent opening is large enough for moisture to escape. This will allow the sensor to accurately determine cooking time.

To Use Auto Cook:

Before using, make sure the microwave oven has been plugged in for at least 3 minutes, the room temperature is not above 95°F (35°C), and the outside of the container and microwave oven cavity are dry.

1. Place food on the turntable and close the door.
2. Touch COOK (AUTO SENSOR COOK) until the desired food type is displayed.
The microwave oven will start automatically after a brief delay.
When the cycle ends, "END" will appear in the display, and the end-of-cycle tones will sound, followed by reminder tones.
3. Touch CANCEL or open the door to clear the display and/or stop reminder tones.

Auto Sensor Popcorn

The sensor in the microwave oven determines the appropriate popping time of commercially packaged microwavable popcorn.

- Do not use regular paper bags or glassware.
- Pop only 1 package of popcorn at a time.
- Follow manufacturer's instructions when using a microwave popcorn popper.
- Listen for popping to slow to 1 pop every 1 or 2 seconds, then stop the cycle. Do not try to pop unpopped kernels.
- Use fresh bags of popcorn for optimal results.
- Cooking results may vary by brand and fat content.

There are 2 popcorn functions: Regular and Snack. Use Regular for bag sizes 3.5 oz (99 g) and 3.0 oz (85 g). Use Snack for bag size 1.75 oz (50 g).

To Use Auto Sensor Popcorn:

1. Place popcorn bag on the turntable.
2. Touch POPCORN once for Regular, or twice for Snack. Touch START, or wait for the oven to start the popping cycle automatically.

When the cycle ends, "END" will appear in the display, and the end-of-cycle tones will sound, followed by reminder tones.
3. Touch CANCEL or open the door to clear the display and/or stop reminder tones.

Auto Sensor Reheat

A sensor in the microwave oven detects humidity released from the food and automatically sets a reheating time based on the selection. Use the following chart as a guide.

FOOD	SERVING SIZE/INSTRUCTIONS
Dinner Plate (refrigerated)	8-16 oz (227-454 g) Place food on microwavable plate, cover with plastic wrap and vent.
Soup	1-4 cups (250 mL-1 L) Place in microwavable container, cover with plastic wrap and vent. Stir and let stand 2-3 minutes after reheating.
Sauce	1-4 cups (250 mL-1 L) Place in microwavable container, cover with plastic wrap and vent. Stir and let stand 2-3 minutes after reheating.
Casserole (refrigerated)	1-2 cups (250-500 mL) Place in microwavable container, cover with plastic wrap and vent. Stir and let stand 2-3 minutes after reheating.

NOTE: When covering foods, make sure the vent opening is large enough for moisture to escape. This will allow the sensor to accurately determine reheating time.

To Use Auto Sensor Reheat:

Before using, make sure the microwave oven has been plugged in for at least 3 minutes, the room temperature is not above 95°F (35°C), and the outside of the container and microwave oven cavity are dry.

1. Place food on the turntable and close the door.
2. Touch REHEAT until the desired food type is displayed. The microwave oven will start automatically after a brief delay.

When the cycle ends, "END" will appear in the display, and the end-of-cycle tones will sound, followed by reminder tones.
3. Touch CANCEL or open the door to clear the display and/or stop reminder tones.

Keep Warm

WARNING

Food Poisoning Hazard

Do not let food sit in oven more than one hour before or after cooking.

Doing so can result in food poisoning or sickness.

Hot cooked food can be kept warm in the microwave oven. Keep Warm can be used by itself, or it can be programmed to follow a cooking cycle. Opening the door during Keep Warm will cancel the function.

To Use:

Put hot cooked food in the microwave oven. Cover plates of food and foods that were cooked covered. Pastries, pies, turnovers, etc. should remain uncovered.

1. Touch KEEP WARM. "WARM HOLD" will scroll twice, and then "START" will flash.
2. Touch START. "WARM" will appear in the display during the entire cycle.

When the cycle ends, "END" will appear in the display, and the end-of-cycle tones will sound, followed by reminder tones.
3. Touch CANCEL or open the door to clear the display and/or stop reminder tones.

To Set at end of cycle: Touch KEEP WARM while setting a cooking cycle before touching START.

MICROWAVE OVEN CARE

General Cleaning

IMPORTANT: Before cleaning, make sure all controls are off and the microwave oven is cool. Always follow label instructions on cleaning products.

Soap, water and a soft cloth or sponge are suggested first unless otherwise noted.

OVEN CAVITY

Do not use soap-filled scouring pads, abrasive cleaners, steel-wool pads, gritty washcloths or some recycled paper towels. Damage may occur.

On stainless steel models, rub in direction of grain to avoid damaging.

The area where the oven door and frame touch when closed should be kept clean.

Average soil

- Mild, nonabrasive soaps and detergents:
Rinse with clean water and dry with soft, lint-free cloth.

Heavy soil

- Mild, nonabrasive soaps and detergents:
Heat 1 cup (250 mL) of water for 2 to 5 minutes in oven. Steam will soften soil. Rinse with clean water and dry with soft, lint-free cloth.

Odors

- Lemon juice or vinegar:
Heat 1 cup (250 mL) of water with 1 tbs (15 mL) of either lemon juice or vinegar for 2 to 5 minutes in oven.

Microwave Inlet Cover

The microwave inlet cover (see "Parts and Features") should be kept clean to avoid arcing and oven damage.

- Wipe with wet cloth.

OVEN DOOR AND EXTERIOR

The area where the oven door and frame touch when closed should be kept clean.

- Mild, nonabrasive soaps and detergents:
Rinse with clean water and dry with soft, lint-free cloth.
- Glass cleaner and paper towels or nonabrasive plastic scrubbing pad:
Apply glass cleaner to towel, not directly to surface.

Stainless Steel (on some models)

Do not use soap-filled scouring pads, abrasive cleaners, steel-wool pads, gritty washcloths or some paper towels. Damage may occur. Rub in direction of grain to avoid damaging.

- Stainless Steel Cleaner & Polish (not included):
See "Assistance or Service" section to order.
- Liquid detergent or all-purpose cleaner:
Rinse with clean water and dry with soft, lint-free cloth.
- Vinegar for hard water spots

CONTROL PANEL

- Sponge or soft cloth and water:
Dampen sponge with water and wipe panel. Dry with soft cloth.
- Do not use chemical or abrasive cleansers.

TURNTABLE

Replace turntable immediately after cleaning. Do not operate the microwave oven without the turntable in place.

- Mild cleanser and scouring pad
- Dishwasher

TROUBLESHOOTING

Try the solutions suggested here first in order to avoid the cost of an unnecessary service call.

Nothing will operate

- **Has a household fuse blown, or has a circuit breaker tripped?**
Replace the fuse or reset the circuit.

Oven will not operate

- **Is the door completely closed?**
Firmly close door.
- **Is a spacer (on some models) attached to the inside of the door?**
Remove spacer, then firmly close door.
- **Is the electronic microwave oven control set correctly?**
See "Microwave Oven Control" section.
- **On some models, is the Control Lock set?**
See "Control Lock" section.
- **On some models, is the Demo Mode in use?**
See "Demo Mode" section.
- **Is the magnetron working properly?**
Try to heat 1 cup (250 mL) of cold water for 2 minutes at 100% cooking power. If water does not heat, call for service. See "Assistance or Service" section.

Oven makes humming noise

- This is normal and occurs when the power supply switches the magnetron on and off.

Oven door looks wavy

- This is normal and will not affect performance.

Turntable will not operate

- **Is the turntable properly in place?**
Make sure turntable is correct side up and is sitting securely on the turntable support.
- **Is the turntable support operating properly?**
Remove turntable. Remove and replace turntable support. Replace turntable. Place 1 cup (250 mL) of water on the turntable, then restart microwave oven. If it still is not working, call for service. See "Assistance or Service" section. Do not operate the microwave oven without turntable and turntable support working properly.

Turntable rotates both directions

- This is normal and depends on motor rotation at beginning of cycle.

Display shows messages

- **Is the display showing ":"?**
The clock has not been set. See "Display" section to clear display. See "Clock" section to reset the clock.
- **Is the display showing a letter followed by a number?**
See "Display" section to clear. If it reappears, call for service. See "Assistance or Service" section.

Display shows time countdown, but the microwave oven is not operating

- **Is the Timer in use?**
See "Timer" section.
- **On some models, is the Demo Mode in use?**
See "Demo Mode" section.

Tones are not sounding

- **Are tones turned off?**
See "Tones" section.

Cooking times seem too long

- **Is the cooking power set properly?**
See "Cooking Power" section.
- **Are large amounts of food being heated?**
Larger amounts of food need longer cooking times.
- **Is the incoming voltage less than specified in "Microwave Oven Safety?"**
Have a qualified electrician check the electrical system in the home.

Interference with radio, TV, cordless phone, etc.

- **Is the microwave oven plugged into the same outlet?**
Try a different outlet.
- **Is the radio or TV receiver near the microwave oven?**
Move the receiver away from the microwave oven, or adjust the radio or TV antenna.
- **Are the microwave oven door and sealing surfaces clean?**
Make sure these areas are clean.
- **Is the cordless phone frequency 2.4 GHz?**
Some 2.4 GHz-based cordless phones and home wireless networks may experience static or noise while the microwave oven is on. Use a corded phone or a different frequency cordless phone, or avoid using these items during oven operation.

ASSISTANCE OR SERVICE

Before calling for assistance or service, please check "Troubleshooting." It may save you the cost of a service call. If you still need help, follow the instructions below.

When calling, please know the purchase date and the complete model and serial number of your appliance. This information will help us to better respond to your request.

If you need replacement parts

If you need to order replacement parts, we recommend that you use only factory specified parts. These factory specified parts will fit right and work right because they are made with the same precision used to build every new KITCHENAID® appliance.

To locate factory specified parts in your area, call us or your nearest KitchenAid designated service center.

In Canada

For product related questions, please call the KitchenAid Canada Customer Interaction Centre toll free: **1-800-461-5681** Monday to Friday 8:00 a.m. - 6:00 p.m. (EST). Saturday 8:30 a.m. - 4:30 p.m. (EST).

Our consultants provide assistance with:

- Features and specifications on our full line of appliances.
- Referrals to local dealers.

For parts, accessories and service in Canada

Call **1-800-807-6777**. KitchenAid designated service technicians are trained to fulfill the product warranty and provide after-warranty service, anywhere in Canada.

For further assistance

If you need further assistance, you can write to KitchenAid Canada with any questions or concerns at:

Customer Interaction Centre
KitchenAid Canada
1901 Minnesota Court
Mississauga, Ontario L5N 3A7

Please include a daytime phone number in your correspondence.

Replacement Parts

Turntable
Part No. 8205147
Turntable Support/Roller
Assembly
Part No. 8205148

Turntable Rollers
Part No. 8205149
Stainless Steel Cleaner & Polish
Part No. 8171420

Built-in Kits

This countertop microwave oven can be built in by using one of the following trim kits*. These kits are available from the dealer or can be ordered by kit model number. See "Assistance or Service" section for the toll-free number.

KIT SIZE	KIT MODEL NUMBERS/ COLORS	FOR INSTALLATION OVER OVEN MODELS
24" (61 cm)	MK1154XPQ / White	KEBI141D
	MK1154XPB / Black	KEBS147D
	MK1154XPS / Stainless	
27" (69 cm)	MK1157XPQ / White	KEBI171D
	MK1157XPB / Black	KEBS177D
	MK1157XPS / Stainless	
30" (76 cm)	MK1150XPQ / White	KEBI101D
	MK1150XPB / Black	KEBS107D
	MK1150XPS / Stainless	

*Approved, electric single microwave ovens only

KITCHENAID® MICROWAVE OVEN WARRANTY

ONE-YEAR FULL WARRANTY

For one year from the date of purchase, when this appliance is operated and maintained according to instructions attached to or furnished with this product, KitchenAid Canada will pay for factory specified parts and repair labor costs to correct defects in materials or workmanship. Service must be provided by a KitchenAid designated service company.

SECOND THROUGH FIFTH YEAR LIMITED WARRANTY ON MAGNETRON TUBE, ELECTRIC OVEN ELEMENTS AND SOLID STATE TOUCH CONTROL SYSTEM

In the second through fifth years from the date of purchase, when this appliance is operated and maintained according to instructions attached to or furnished with this product, KitchenAid Canada will pay for factory specified parts for the microwave magnetron tube, any electric oven element and the solid state touch control system to correct defects in materials or workmanship.

SECOND THROUGH TENTH YEAR LIMITED WARRANTY ON STAINLESS STEEL OVEN CAVITY/INNER DOOR

In the second through tenth years from date of purchase, when this appliance is operated and maintained according to instructions attached to or furnished with this product, KitchenAid Canada will pay for factory specified parts for the stainless steel oven cavity/inner door if the part rusts through due to defects in materials or workmanship.

KitchenAid Canada will not pay for:

1. Service calls to correct the installation of your appliance, to instruct you how to use your appliance, to replace house fuses or correct house wiring, or to replace owner-accessible light bulbs.
 2. Repairs when your appliance is used in other than normal, single-family household use.
 3. Pickup and delivery. Your appliance is designed to be repaired in the home.
 4. Damage resulting from accident, alteration, misuse, abuse, fire, flood, improper installation, acts of God or use of products not approved by KitchenAid Canada.
 5. Repairs to parts or systems resulting from unauthorized modifications made to the appliance.
 6. Replacement parts or repair labor costs for units operated outside Canada.
 7. In Canada, travel or transportation expenses for customers who reside in remote areas.
 8. Any labor costs during the limited warranty periods.
-

KITCHENAID CANADA SHALL NOT BE LIABLE FOR INCIDENTAL OR CONSEQUENTIAL DAMAGES.

Some provinces do not allow the exclusion or limitation of incidental or consequential damages, so this exclusion or limitation may not apply to you. This warranty gives you specific legal rights, and you may also have other rights which vary from province to province.

Outside Canada, this warranty does not apply. Contact your authorized KitchenAid dealer to determine if another warranty applies.

If you need service, first see the "Troubleshooting" section of this book. After checking "Troubleshooting," additional help can be found by checking the "Assistance or Service" section or by contacting your designated KitchenAid Canada service company or by calling **1-800-807-6777**.

2/05

Keep this book and your sales slip together for future reference. You must provide proof of purchase or installation date for in-warranty service.

Write down the following information about your appliance to better help you obtain assistance or service if you ever need it. You will need to know your complete model number and serial number. You can find this information on the model and serial number label/plate, located on your appliance as shown in the "Parts and Features" section.

Dealer name _____
Address _____
Phone number _____
Model number _____
Serial number _____
Purchase date _____

SÉCURITÉ DU FOUR À MICRO-ONDES

Votre sécurité et celle des autres est très importante.

Nous donnons de nombreux messages de sécurité importants dans ce manuel et sur votre appareil ménager. Assurez-vous de toujours lire tous les messages de sécurité et de vous y conformer.



Voici le symbole d'alerte de sécurité.

Ce symbole d'alerte de sécurité vous signale les dangers potentiels de décès et de blessures graves à vous et à d'autres.

Tous les messages de sécurité suivront le symbole d'alerte de sécurité et le mot "DANGER" ou "AVERTISSEMENT". Ces mots signifient :

⚠ DANGER

Risque possible de décès ou de blessure grave si vous ne suivez pas immédiatement les instructions.

⚠ AVERTISSEMENT

Risque possible de décès ou de blessure grave si vous ne suivez pas les instructions.

Tous les messages de sécurité vous diront quel est le danger potentiel et vous disent comment réduire le risque de blessure et ce qui peut se produire en cas de non-respect des instructions.

IMPORTANTES INSTRUCTIONS DE SÉCURITÉ

Lors de l'utilisation de tout appareil ménager électrique on doit observer certaines précautions de sécurité fondamentales, dont les suivantes :

AVERTISSEMENT : Pour réduire le risque de brûlures, de choc électrique, d'incendie, de blessures et l'exposition excessive à l'énergie des micro-ondes :

- Lire la totalité des instructions avant d'utiliser le four à micro-ondes.
- Lire et observer les instructions spécifiques de "PRÉCAUTIONS CONTRE LE RISQUE D'EXPOSITION EXCESSIVE À L'ÉNERGIE DES MICRO-ONDES" dans cette section.
- Le four à micro-ondes doit être relié à la terre. Brancher l'appareil uniquement sur une prise de courant convenablement reliée à la terre. Voir les "INSTRUCTIONS DE LIAISON À LA TERRE" présentées dans cette section et dans les instructions d'installation fournies.
- Installer ou placer le four à micro-ondes uniquement selon les instructions d'installation fournies.
- Certains produits, comme les oeufs entiers dans leur coquille et les récipients fermés – par exemple les bocaux en verre fermés – peuvent exploser et on ne doit pas les faire chauffer dans le four à micro-ondes.
- Utiliser le four à micro-ondes uniquement pour les applications auxquelles il est destiné, telles qu'elles sont décrites dans ce manuel. Ne pas utiliser de vapeurs ou de produits chimiques corrosifs dans le four à micro-ondes. Ce type de four est spécifiquement conçu pour chauffer, cuire ou sécher des aliments. Il n'est pas conçu pour des applications industrielles ou de laboratoire.
- Comme pour tout appareil ménager, les enfants ne devraient utiliser ce four que sous une supervision adéquate.
- Ne pas faire fonctionner le four à micro-ondes si le cordon d'alimentation ou la fiche de branchement est endommagé, s'il ne fonctionne pas correctement, s'il a subi des dommages ou s'il est tombé.
- Tous les travaux de service doivent être exécutés exclusivement par un personnel d'entretien qualifié. Contacter un centre de service autorisé pour les opérations d'inspection, de réparation ou de réglage.
- Voir les instructions de nettoyage de la surface de la porte à la section "Entretien du four à micro-ondes".

CONSERVEZ CES INSTRUCTIONS

IMPORTANTES INSTRUCTIONS DE SÉCURITÉ

- Pour réduire le risque d'incendie dans la cavité du four :
 - Ne pas faire cuire les aliments excessivement. Surveiller attentivement le four à micro-ondes après y avoir placé des produits en papier, en plastique ou autres matériaux combustibles pour faciliter la cuisson des aliments.
 - Enlever les attaches métalliques des sachets en papier ou en plastique avant de placer de tels sachets dans le four.
 - En cas d'inflammation de matériaux placés à l'intérieur du four, maintenir la porte du four fermée, arrêter le four, débrancher le four, ou interrompre l'alimentation électrique au niveau du tableau de distribution (fusible ou disjoncteur).
 - Ne pas utiliser la cavité du four comme espace de rangement. Ne pas laisser dans le four des produits en papier, ustensiles de cuisine ou produits alimentaires, lorsqu'il n'est pas utilisé.
- Les liquides tels que l'eau, le café ou le thé peuvent trop chauffer – au-delà du point d'ébullition – sans sembler bouillir. Il n'y a pas toujours des bulles ou une ébullition lorsqu'on retire le récipient du four à micro-ondes. **À CAUSE DE CECI, DES LIQUIDES TRÈS CHAUDS POURRAIENT DÉBORDER LORSQU'ON BOUGE LE RÉCIPIENT OU QUE L'ON UTILISE UNE CUILLÈRE OU UN AUTRE USTENSILE POUR LE REMUER.**

Pour réduire le risque de blessures corporelles :

 - Ne pas trop faire chauffer le liquide.
 - Remuer le liquide avant et pendant le chauffage.
 - Ne pas utiliser de récipients à parois droites avec des ouvertures étroites.
 - Une fois chaud, laisser le récipient dans le four à micro-ondes un moment avant de le retirer.
 - Faire très attention lorsqu'on utilise une cuillère ou un autre ustensile dans le récipient.
- Ne pas faire fonctionner un appareil de chauffage ou de cuisson sous le four à micro-ondes.
- Ne pas installer le four à micro-ondes au-dessus ou près de toute portion d'un appareil de chauffage ou de cuisson.
- Les aliments trop volumineux ou des ustensiles en métal de grande taille ne doivent pas être insérés dans le four à micro-ondes car ils peuvent créer un incendie ou un risque de choc électrique.
- Ne pas nettoyer avec des tampons métalliques à récurer. Des pièces peuvent se détacher du tampon en brûlant et venir en contact avec des pièces électriques qui pourraient causer un risque de choc électrique.
- Ne pas utiliser des produits en papier lorsque l'appareil fonctionne au mode "PAN BROWN" (sur les modèles avec cette caractéristique).
- Ne pas remiser des matériaux autres que les accessoires recommandés par le fabricant dans ce four à micro-ondes lorsqu'il n'est pas utilisé.
- Veiller à ne rien remiser directement sur le four à micro-ondes lorsqu'il est en service.
- Ne pas couvrir ni obstruer toute ouverture sur le four à micro-ondes.
- Ne pas remiser ce four à micro-ondes à l'extérieur. Ne pas utiliser le four à micro-ondes à proximité d'eau - par exemple, près d'un évier de cuisine, dans un sous-sol humide ou près d'une piscine ou à un emplacement similaire.
- Ne pas immerger le cordon ou la fiche de branchement dans l'eau.
- Garder le cordon d'alimentation loin des surfaces chauffées.
- Ne pas laisser le cordon d'alimentation pendre sur le bord d'une table ou d'un comptoir.
- Ne pas faire le montage au-dessus d'un évier.
- Ne pas couvrir les grilles ou autre partie du four à micro-ondes avec du papier métallique. Cette action causera un surchauffage du four à micro-ondes.

CONSERVEZ CES INSTRUCTIONS

PRÉCAUTIONS CONTRE LE RISQUE D'EXPOSITION EXCESSIVE À L'ÉNERGIE DES MICRO-ONDES

- (a) Ne pas tenter de faire fonctionner ce four lorsque la porte est ouverte, car ceci pourrait susciter une exposition dangereuse à l'énergie des micro-ondes. Il est important de ne pas entraver le fonctionnement correct du dispositif de verrouillage de sécurité.
- (b) Ne pas placer d'objet entre la surface avant du four et la porte, et ne jamais laisser des souillures ou résidus de produits de nettoyage s'accumuler sur les surfaces d'étanchéité.
- (c) Ne pas faire fonctionner le four lorsqu'il est endommagé. Il est particulièrement important que la porte du four ferme convenablement et que les composants suivants ne soient pas endommagés :
 - (1) Porte (déformation),
 - (2) Charnières et dispositif de verrouillage (brisés ou desserrés),
 - (3) Joints de porte et surfaces d'étanchéité.
- (d) Seul un personnel d'entretien qualifié est habilité à exécuter des réparations ou réglages sur cet appareil.

Ce dispositif est conforme à la section 18 des règlements FCC.

INSTRUCTIONS D'INSTALLATION

Déballage

1. Ôter du four à micro-ondes tous les matériaux d'emballage divers.
2. Nettoyer l'intérieur du four avec un chiffon doux humide.
3. Vérifier l'absence de dommages tels que :
 - porte qui n'est pas alignée correctement
 - dommages autour de la porte, ou
 - bosses à l'intérieur ou à l'extérieur du four à micro-ondes.

En cas de dommage quelconque, ne pas faire fonctionner le four à micro-ondes avant qu'un technicien de service désigné n'ait vérifié le four et ait effectué les réparations nécessaires.

Exigences d'emplacement

⚠ AVERTISSEMENT



Risque d'incendie

Ne pas installer le four à proximité ou au-dessus d'une source de chaleur sans un nécessaire de garniture approuvé par UL (approuvé par ACNOR au Canada).

Le non-respect de cette instruction peut causer un décès, un incendie ou un choc électrique.

⚠ AVERTISSEMENT

Risque du poids excessif

Utiliser deux ou plus de personnes pour déplacer et installer le four à micro-ondes.

Le non-respect de cette instruction peut causer une blessure au dos ou d'autre blessure.

IMPORTANT : Le côté de l'appareil où se trouve la commande est le plus lourd. Manipuler le four à micro-ondes délicatement. Le poids du four à micro-ondes est supérieur à 35 lb (15,9 kg).

- Placer le four à micro-ondes sur un chariot, un plan de travail, une table ou une tablette suffisamment solide pour supporter le four à micro-ondes ainsi que les aliments et ustensiles placés à l'intérieur.
- Le four à micro-ondes doit se trouver à une température supérieure à 50°F (10°C) pour un fonctionnement correct.

REMARQUE : Certains modèles peuvent être encastrés dans un mur ou un placard en utilisant l'une des trousse de garniture indiquées à "Instructions d'installation de la trousse de garniture pour four à micro-ondes encastré".

- Ne pas obstruer les conduits d'évacuation ou les ouvertures de prise d'air. Laisser quelques centimètres à l'arrière du four à micro-ondes à l'emplacement des conduits d'évacuation. L'obstruction des conduits d'évacuation peut entraîner des dommages au four à micro-ondes, de même que de médiocres résultats de cuisson.
- Veiller à ce que les pieds du four à micro-ondes soient bien en place pour assurer un flux d'air approprié. Si les conduits sont obstrués, un dispositif de sécurité thermique sensible peut commander l'extinction automatique du four à micro-ondes. Le four à micro-ondes devrait fonctionner correctement une fois refroidi.

Spécifications électriques

⚠ AVERTISSEMENT



Risque de choc électrique

Brancher sur une prise à 3 alvéoles reliée à la terre.

Ne pas enlever la broche de liaison à la terre.

Ne pas utiliser un adaptateur.

Ne pas utiliser un câble de rallonge.

Le non-respect de ces instructions peut causer un décès, un incendie ou un choc électrique.

Observer les dispositions de tous les codes et règlements en vigueur. L'appareil doit être alimenté uniquement par un circuit de 120 V CA, 60 Hz, protégé par un fusible de 15 ou 20 A (on recommande l'utilisation d'un fusible temporisé ou d'un disjoncteur). On recommande que cet appareil soit alimenté par un circuit indépendant.

INSTRUCTIONS DE MISE À LA TERRE

■ Pour tout appareil ménager connecté par un cordon de courant électrique :

Il faut que le four à micro-ondes soit relié à la terre. En cas de court-circuit électrique, la liaison à la terre réduit le risque de choc électrique car le courant électrique dispose d'un itinéraire direct d'acheminement à la terre. Le four à micro-ondes est doté d'un cordon de courant électrique qui comporte un fil de liaison à la terre, avec broche de liaison à la terre. On doit brancher la fiche sur une prise de courant convenablement installée et reliée à la terre.

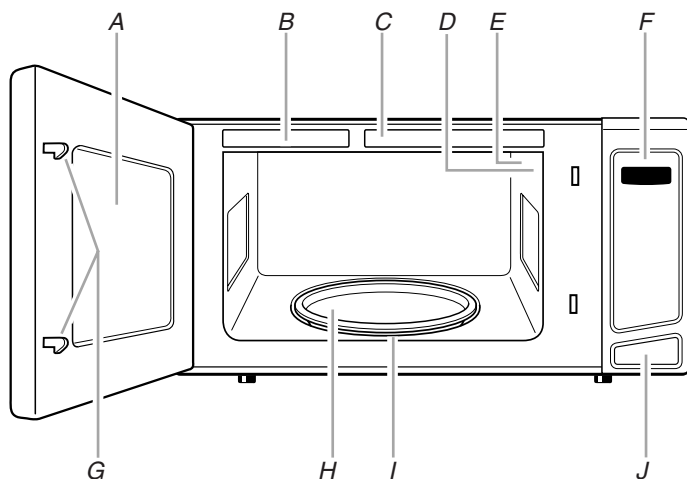
AVERTISSEMENT : L'utilisation incorrecte du dispositif de liaison à la terre peut susciter un risque de choc électrique. L'utilisateur qui ne comprend pas bien les instructions de liaison à la terre, ou qui n'est pas certain que le four à micro-ondes soit convenablement relié à la terre, devrait consulter un électricien qualifié.

Ne pas utiliser un câble de rallonge. Si le cordon de courant électrique est trop court, demander à un électricien qualifié d'installer une prise de courant à proximité du four à micro-ondes.

CONSERVEZ CES INSTRUCTIONS

PIÈCES ET CARACTÉRISTIQUES

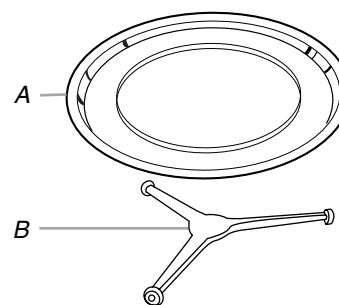
Ce manuel peut couvrir différents modèles. Le four que vous avez acheté peut avoir certaines ou toutes les caractéristiques énumérées. L'apparence des caractéristiques illustrées ici peut ne pas correspondre exactement à celle de votre modèle.



A. Hublot avec grille métallique
B. Plaque signalétique des numéros de modèle et de série
C. Étiquette du guide de cuisson
D. Lampe du four à micro-ondes
E. Couverture - orifice d'introduction des micro-ondes

F. Tableau de commande
G. Système de verrouillage de la porte
H. Plateau rotatif en verre
I. Support du plateau rotatif
J. Bouton-poussoir pour ouvrir la porte

Plateau rotatif



A. Plateau rotatif
B. Support

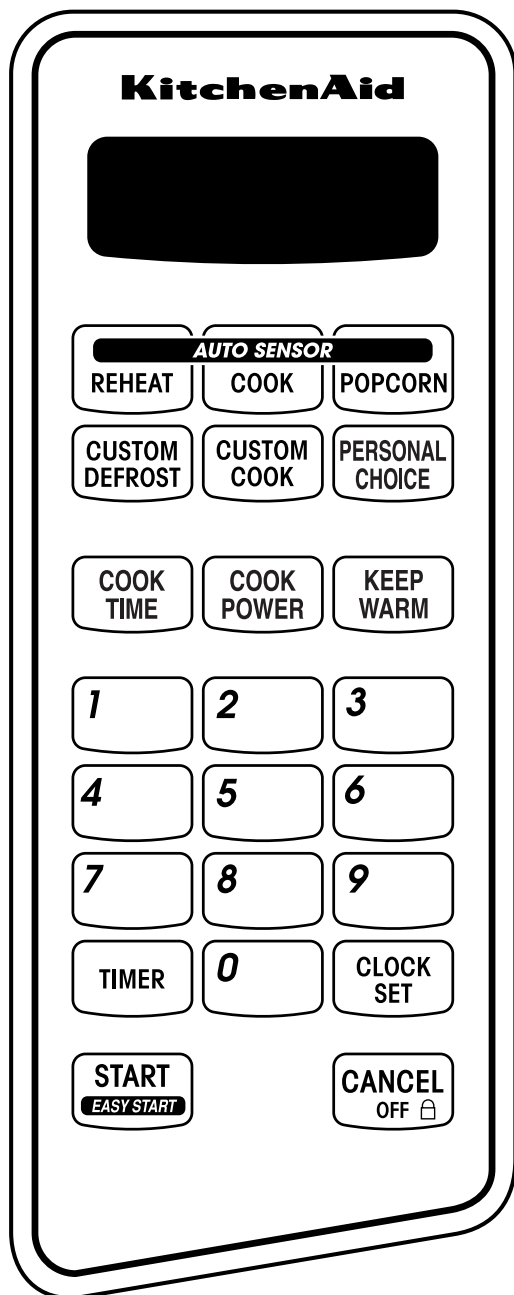
Le plateau rotatif tourne dans les deux sens pour permettre une cuisson plus uniforme. Ne pas faire fonctionner le four à micro-ondes sans que le plateau rotatif ne soit en place. Voir "Assistance ou service" pour passer une nouvelle commande de pièces.

Installation :

1. Placer le support sur le fond de la cavité du four.
2. Placer le plateau rotatif sur le support.

Insérer les protubérances arrondies au centre du dessous du plateau rotatif entre les trois rayons de l'axe. Les roulettes sur le support devraient se loger à l'intérieur du pourtour cranté du dessous du plateau rotatif.

COMMANDE DU FOUR À MICRO-ONDES



Affichage

Lors de la mise sous tension initiale du four à micro-ondes, “:” apparaît sur l’afficheur. Si “:” s’affiche à tout autre moment, une panne de courant s’est produite. Régler de nouveau l’horloge si nécessaire.

Lorsque le four à micro-ondes est utilisé, l’affichage indique la durée de cuisson résiduelle. Lorsque le four à micro-ondes n’est pas utilisé, l’affichage indique l’heure (si l’horloge est réglée) ou le compte à rebours de la minuterie.

Mise en marche

La touche START met en marche toute fonction. Si la cuisson sans détection est interrompue, il suffit d’appuyer sur START pour reprendre le programme pré-réglé. L’appui sur START ne permettra pas de reprendre le programme de détection interrompu.

Easy Start (mise en marche facile)

La durée de cuisson peut être ajoutée à un programme manuel de cuisson en appuyant sur la touche EASY START (START). L’appui sur la touche EASY START en cours de programme ajoutera 30 secondes de durée de cuisson à la puissance de cuisson actuelle. Chaque appui additionnel ajoute 30 secondes de durée de cuisson jusqu’à 3 minutes, puis 1 minute de durée de cuisson jusqu’à 10 minutes.

La touche EASY START démarre aussi le four à micro-ondes à la puissance maximale pendant 30 secondes après fermeture de la porte ou après appui sur CANCEL. Du temps additionnel peut être ajouté en appuyant sur EASY START.

Annulation

La touche CANCEL (annulation) efface toute commande incorrecte et annule la plupart des fonctions à l’exception de la minuterie et du verrouillage des commandes. Cette fonction n’effacera pas l’heure.

Le four s’arrête également lorsqu’on ouvre la porte. Fermer la porte et appuyer sur Start pour reprendre le programme sans détection.

Horloge

Il s’agit d’une horloge de 12 heures ou de 24 heures.

Réglage de l’horloge :

Le four à micro-ondes et la minuterie doivent être éteints.

1. Appuyer sur CLOCK SET (réglage de l’horloge).
2. Appuyer sur les touches numériques pour entrer l’heure correcte.
3. Appuyer sur CLOCK SET (réglage de l’horloge).

Le format de l’heure peut être modifié, et l’horloge peut être dissimulée grâce à la fonction Personal Choice (choix personnel).

Modification de l’affichage de l’horloge :

1. Appuyer cinq fois sur PERSONAL CHOICE.
“Clock” (horloge) apparaîtra sur l’affichage, puis les instructions défilent.
2. Appuyer sur “1” pour le format de 12 heures, sur “2” pour le format de 24 heures, ou sur “3” pour désactiver.
3. Appuyer sur START (mise en marche).

Lorsque l’horloge est éteinte, l’affichage est vierge.

Signaux sonores

Les signaux sonores indiquent ce qui suit :

Un signal sonore

- Entrée valide
- Entrée d'une caractéristique dissimulée

Deux signaux sonores

- Fin d'étape pour la cuisson par étapes
- Entrée invalide (signaux sonores courts)
- Signaux sonores de fin de programme émis à intervalles de une minute à titre de rappel
- Sortie d'une caractéristique dissimulée

Trois signaux sonores

- Fin du programme

Cinq signaux sonores

- Fin du compte à rebours de la minuterie
- Pendant le programme de décongélation pour vous rappeler de vérifier, de tourner, de réarranger ou de séparer les aliments.

Le volume du signal sonore peut être ajusté, ou les signaux sonores peuvent être désactivés grâce à la fonction Personal Choice.

Modification des réglages des signaux sonores :

1. Appuyer sur PERSONAL CHOICE.
"Sound Volume" (volume sonore) apparaîtra sur l'affichage, puis les instructions défileront.
2. Appuyer sur "1" pour un volume faible, "2" pour moyen, "3" pour élevé, ou appuyer sur "4" pour désactiver les signaux sonores.
3. Appuyer sur START (mise en marche).

Minuterie

La minuterie peut être réglée en minutes et secondes jusqu'à 99 minutes et 99 secondes et procède à un compte à rebours de la durée réglée.

REMARQUE : La minuterie ne met pas en marche et n'arrête pas le four à micro-ondes.

Les fonctions de cuisson peuvent être utilisées alors que la minuterie procède au compte à rebours. Lorsque la fonction de cuisson est activée sur l'afficheur, appuyer sur TIMER pour visualiser le compte à rebours de la minuterie pendant 5 secondes.

Réglage :

1. Appuyer sur TIMER (minuterie).
2. Appuyer sur les touches numériques pour entrer la durée désirée.
3. Appuyer sur TIMER ou START, ou laisser la minuterie se mettre en marche automatiquement après un bref délai.
Lorsque la durée réglée est terminée, "TIMER END" (fin de la minuterie) défile sur l'afficheur et les signaux de fin de programme sont émis.
4. Appuyer sur TIMER à tout moment lorsque le compte à rebours de la minuterie est activé sur l'afficheur pour annuler la minuterie.
Ne pas oublier que le four à micro-ondes s'éteint lorsqu'on appuie sur CANCEL.

La durée peut être réglée de nouveau durant le compte à rebours en répétant les étapes ci-dessus.

Verrouillage des commandes

Le verrouillage des commandes désactive les touches du tableau de commande pour empêcher l'utilisation non intentionnelle du four à micro-ondes. Si on appuie sur une touche alors que le verrouillage des commandes est activé, "LOCKED" (verrouillé) s'affiche.

Pour verrouiller/déverrouiller les commandes : Appuyer sur CANCEL (annulation) pendant environ 5 secondes jusqu'à l'émission d'un signal sonore et l'affichage de "LOCKED". Répéter pour déverrouiller les commandes. Deux signaux sonores sont émis et "UNLOCK" (déverrouillage) s'affiche.

Mode de démonstration

Le mode de démonstration est idéal pour apprendre à utiliser le four à micro-ondes. Lorsque ce mode est réglé, il est possible de sélectionner des fonctions sans activer le magnétron. Lorsque des fonctions sont activées dans le cadre du mode de démonstration, la lampe du four à micro-ondes s'allume, le ventilateur se met en marche, le compte à rebours défile très rapidement sur l'afficheur, le plateau rotatif tourne, et les signaux sonores sont émis.

Activation/désactivation du mode de démonstration :

Appuyer sur TIMER pendant 5 secondes jusqu'à l'émission d'un signal sonore et l'affichage de "DEMO ON" (mode de démonstration activé). Répéter pour désactiver le mode de démonstration.

Personal Choice (choix personnel)

Les réglages peuvent être sélectionnés et les affichages peuvent être modifiés en appuyant sur PERSONAL CHOICE.

APPUYER SUR LA TOUCHE	RÉGLAGE	TOUCHE NUMÉRIQUE=OPTION
Une fois	Volume sonore	1=faible, 2=moyen, 3=élevé, 4=éteint
Deux fois	Poids	1=lb, 2=kg
3 fois	Langue	1=anglais, 2=français, 3=espagnol
4 fois	Vitesse de défilement	1=lente, 2=moyenne, 3=rapide
5 fois	Horloge	1=12 heures, 2=24 heures, 3=désactivée

1. Appuyer sur PERSONAL CHOICE à plusieurs reprises pour faire défiler les réglages jusqu'à l'affichage du réglage désiré. Les instructions correspondant à ce réglage défileront sur l'afficheur.
2. Appuyer sur la touche appropriée pour sélectionner l'option de réglage désirée.
3. Appuyer sur START (mise en marche).

UTILISATION DU FOUR À MICRO-ONDES

Un magnétron dans le four produit des micro-ondes qui rebondissent de la base, des parois et de la voûte en métal et qui passent à travers le plateau rotatif et les ustensiles de cuisson appropriés pour atteindre l'aliment. Les micro-ondes sont attirées et absorbées par le gras, le sucre et les molécules d'eau dans les aliments et font déplacer ces molécules, en produisant une friction et une chaleur qui fait cuire les aliments.

- Ne pas s'appuyer ou laisser les enfants se balancer sur la porte du four à micro-ondes.
- Ne pas faire fonctionner le four à micro-ondes pendant qu'il est vide.
- Le plateau rotatif doit être en place et avec le côté correct vers le haut lorsque le four à micro-ondes est utilisé. Ne pas utiliser le plateau rotatif s'il est fêlé ou brisé. Voir la section "Assistance ou service" pour en commander un nouveau.
- Les biberons et les petits pots d'aliments pour bébé ne doivent pas être chauffés dans le four à micro-ondes.
- Les vêtements, fleurs, fruits, herbes, bois, gourdes, papier, y compris les sacs en papier brun et les journaux ne doivent pas être séchés dans le four à micro-ondes.
- Le four à micro-ondes ne doit pas être utilisé pour la mise en conserve, la stérilisation ou la grande friture. Le four à micro-ondes ne peut pas maintenir des températures appropriées.
- La paraffine ne fondra pas dans le four à micro-ondes car elle n'absorbe pas les micro-ondes.
- Utiliser des mitaines de four ou des maniques lors de l'enlèvement de contenants du four à micro-ondes.
- Ne pas faire cuire les pommes de terre excessivement. À la fin de la durée de cuisson recommandée, les pommes de terre devraient être légèrement fermes. Laisser les pommes de terre reposer pendant 5 minutes. Elles achèveront de cuire pendant cette période.
- Ne pas faire cuire ou réchauffer des oeufs entiers avec leur coquille. La vapeur accumulée dans les oeufs entiers pourrait les faire éclater. Recouvrir les oeufs pochés et les laisser reposer.

Caractéristiques des aliments

Lors de la cuisson au four à micro-ondes, la quantité, la taille, la forme, la température de mise en marche et la composition et la densité de l'aliment affectent les résultats de cuisson.

Quantité d'aliments

La quantité d'aliments chauffés à la fois influencera le temps de cuisson. Vérifier le degré de cuisson et rallonger légèrement la durée si nécessaire.

Taille et forme

Des morceaux plus petits d'aliments cuiront plus vite que les gros morceaux, et les aliments uniformes cuiront plus également que les aliments de forme irrégulière.

Température de mise en marche

Les aliments à température ambiante chaufferont plus vite que les aliments réfrigérés, et les aliments réfrigérés chaufferont plus vite que les aliments congelés.

Composition et densité

Les aliments à haute teneur en gras et en sucre atteindront une température plus élevée et chaufferont plus vite que les autres. Les aliments lourds et denses, tels que la viande et les pommes de terre, demandent un temps de cuisson plus long qu'un aliment de la même taille, léger et poreux tel que les gâteaux.

Guide de cuisson

Recouvrement

Le recouvrement des aliments aide à retenir l'humidité, réduire le temps de cuisson et réduire les éclaboussures. Utiliser le couvercle fourni avec l'ustensile de cuisson. S'il n'y a pas de couvercle disponible, du papier paraffiné, un essuie-tout ou de la pellicule de plastique approuvée pour les micro-ondes peuvent être utilisés. La pellicule de plastique doit être retournée à un coin pour fournir une ouverture à l'échappement de la vapeur. La condensation sur les surfaces de la porte et de la cavité est normale pendant une cuisson intense.

Remuer et tourner

Remuer et tourner les aliments redistribue la chaleur de manière égale pour éviter la cuisson excessive des bords des aliments. Mélanger de l'extérieur vers le centre. Si possible, retourner les aliments.

Disposition

S'il s'agit d'aliments de forme irrégulière ou de dimensions différentes, les parties plus minces et les morceaux plus petits doivent être disposés près du centre. Si l'on cuit plusieurs aliments de même taille et de même forme, les placer dans un cercle, en laissant le centre du cercle vide.

Dégagement de la pression

Avant le chauffage, utiliser une fourchette ou un petit couteau pour percer les aliments qui ont une peau ou une membrane, tels que les pommes de terre, jaunes d'oeufs, foies de poulet, hot dogs et saucisses. Percer plusieurs endroits pour laisser échapper la vapeur.

Protection

Utiliser du papier d'aluminium en petits morceaux pour protéger les parties minces d'aliments de forme irrégulière, les os, et des aliments tels que les ailes et pilons de poulet et les queues de poisson. Voir en premier "Papier d'aluminium et métal".

Temps de repos

Les aliments continueront à cuire par la conduction naturelle de la chaleur même lorsque le programme de micro-ondes sera terminé. La durée du temps de repos dépend du volume et de la densité de l'aliment.

Ustensiles de cuisson et vaisselle

Les ustensiles de cuisson et la vaisselle doivent pouvoir être placés sur le plateau rotatif. Toujours utiliser des mitaines de four ou des maniques lors de la manipulation parce que tout plat peut devenir chaud à cause de la chaleur transmise par les aliments. Ne pas utiliser des ustensiles de cuisson ou de la vaisselle avec garniture en or ou en argent. Utiliser le tableau suivant comme guide, ensuite faire un test avant l'utilisation.

MATÉRIAU	RECOMMANDATIONS
Papier d'aluminium, métal	Voir la section "Papier d'aluminium et métal".
Plat brunisseur	La base doit être au moins à 3/16" (5 mm) au dessus du plateau rotatif. Suivre les recommandations du fabricant.
Vitrocéramique, verre	Peut être utilisé.
Porcelaine, faïence	Suivre les recommandations du fabricant.
Mélatamine	Suivre les recommandations du fabricant.
Papier : essuie-tout, vaisselle, serviettes de table	Utiliser des produits non-recyclés et ceux qui sont approuvés par le fabricant pour utilisation au four à micro-ondes.
Plastique : pellicule, sacs, couvercles, vaisselle, contenants	Utiliser des produits approuvés par le fabricant pour l'utilisation dans un four à micro-ondes.
Poterie et argile	Suivre les recommandations du fabricant.
Mousse de polystyrène	Ne pas utiliser au four à micro-ondes.
Paille, osier, contenants en bois	Ne pas utiliser au four à micro-ondes.
Papier paraffiné	Peut être utilisé.

Pour vérifier l'ustensile de cuisson ou la vaisselle pour l'utilisation au four à micro-ondes :

1. Placer l'ustensile de cuisson ou la vaisselle dans le four à micro-ondes avec 1 tasse (250 mL) d'eau à côté de l'article.
2. Faire cuire à puissance de chauffage maximale pendant 1 minute.

Ne pas utiliser cet ustensile de cuisson ou cet article de vaisselle s'il devient chaud alors que l'eau demeure froide.

Papier d'aluminium et métal

Toujours utiliser des mitaines de four ou des maniques pour enlever des plats du four à micro-ondes.

Le papier d'aluminium et certains métaux peuvent être utilisés dans le four à micro-ondes. Si ces articles ne sont pas bien utilisés, des arcs (un éclair bleu) peuvent survenir et causer des dommages au four à micro-ondes.

Utilisation correcte

Les grilles et les ustensiles de cuisson fournis avec le four à micro-ondes (sur certains modèles), la feuille d'aluminium pour protection et les thermomètres à viande approuvés peuvent être utilisés avec les précautions suivantes :

- Ne pas laisser le papier d'aluminium ou le métal toucher les parois, le plafond ou le fond de la cavité.
- Toujours utiliser le plateau rotatif.
- Ne pas permettre un contact avec un autre objet en métal durant la cuisson.

Utilisation à éviter

Les ustensiles de cuisson et de cuisson au four en métal, l'or, l'argent, l'étain, les thermomètres à viande non approuvés, les brochettes, les attaches, les doublures de papier d'aluminium telles que les enveloppes à sandwich, les agrafes et objets avec garniture en or ou en argent ou avec un enduit métallique ne doivent pas être utilisés dans le four à micro-ondes.

Puissance de cuisson

De nombreuses recettes de four à micro-ondes précisent quelle puissance de chauffage doit être utilisée en indiquant un pourcentage, un nom ou un chiffre. Par exemple, 70 % = 7 = Moyen-élevé.

Utiliser le tableau suivant comme guide général pour la puissance de chauffage suggérée pour des aliments spécifiques.

POURCENTAGE/NOM	N°	UTILISATION
100 %, Élevé (par défaut)	10	Chauffage rapide d'aliments minute et aliments avec haute teneur en eau, tels que soupes, boissons et la plupart des légumes.
90 %	9	Cuisson de petits morceaux tendres de viande, viande hachée, morceaux de volaille, filets de poisson. Chauffage de soupes en crème.
80 %	8	Chauffage de riz, pâtes ou mets en sauce. Cuisson et chauffage d'aliments qui ont besoin d'une puissance de chauffage inférieure à la puissance élevée. Par exemple, poisson entier et pain de viande.
70 %, Moyen-élevé	7	Réchauffage d'une seule portion d'aliments.
60 %	6	Cuisson d'aliments sensibles tels que les mets à base de fromage et d'oeufs, pudding et crèmes. Cuisson de mets en sauce non remuables tels que les lasagnes.
50 %, Moyen	5	Cuisson de jambon, volaille entière et de morceaux de viande à braiser. Mijotage de ragoûts.
40 %	4	Pour faire fondre le chocolat. Chauffage du pain, des petits pains et pâtisseries.
30 %, Moyen-faible, Décongélation	3	Décongélation de pain, poisson, viande, volaille et aliments pré-cuits.
20 %	2	Amollir le beurre, le fromage et la crème glacée.
10 %, Faible	1	Mettre les fruits à température ambiante.

Cuisson

Utilisation :

1. Appuyer sur COOK TIME (durée de cuisson).
"STAGE 1" apparaît brièvement, puis "ENTER COOK TIME" (entrer la durée de cuisson) défile sur l'afficheur. Entrer la durée de cuisson.

En cas de cuisson à la puissance maximale, passer à l'étape 3.

2. Appuyer sur COOK POWER (puissance de cuisson), puis régler la puissance de cuisson désirée. Voir "Puissance de cuisson".
3. Appuyer sur START (mise en marche).
À la fin du programme, "END" (fin) apparaît sur l'affichage, et les signaux de fin de programme sont émis, suivis de signaux de rappel.
4. Appuyer sur CANCEL (annulation) ou ouvrir la porte pour effacer l'affichage.

Une durée de cuisson peut être ajoutée en tranches de 30 secondes au cours du programme en appuyant sur EASY START (START).

Cuisson par étapes

Le four à micro-ondes peut être réglé pour cuire à différentes puissances pendant diverses durées, jusqu'à 3 étapes, plus une étape de réchauffage.

Cuisson par étapes :

1. Appuyer sur COOK TIME (durée de cuisson).
"STAGE 1" apparaît brièvement, puis "ENTER COOK TIME" (entrer la durée de cuisson) défile sur l'afficheur. Entrer la durée de cuisson pour la première étape.
2. Appuyer sur COOK POWER (puissance de cuisson), puis entrer la puissance de cuisson désirée pour la première étape. Voir "Puissance de cuisson".
3. Répéter les étapes 1 et 2 pour chaque étape additionnelle.
La fonction Keep Warm (maintien au chaud) peut être programmée à la suite de la dernière étape en appuyant sur KEEP WARM à tout moment durant la programmation d'étapes.
4. Appuyer sur START (mise en marche).
Deux signaux sonores sont émis entre les étapes.
À la fin du programme, "END" (fin) apparaît sur l'affichage, et les signaux de fin de programme sont émis, suivis de signaux de rappel.
5. Appuyer sur CANCEL (annulation) ou ouvrir la porte pour effacer l'affichage et/ou arrêter les signaux de rappel.

Une durée de cuisson peut être ajoutée en tranches de 30 secondes durant l'étape en cours en appuyant sur EASY START (START).

Cuisson personnalisée

Les durées et puissances de cuisson ont été préréglées pour certains aliments qui vont au micro-ondes. Utiliser le tableau suivant comme guide.

ALIMENTS	N°	QUANTITÉ/INSTRUCTIONS
Bacon*	1	2 à 6 tranches, d'épaisseur moyenne/ Suivre les indications sur l'emballage.
Boissons	2	1 ou 2 tasses, 8 oz (250 mL) chacune/ Ne pas couvrir. Le diamètre de l'ouverture de la tasse affectera le mode de chauffage du liquide. Les boissons dans des tasses avec ouverture plus petite peuvent chauffer plus rapidement.
Petits pains/ muffins surgelés (précuits)	3	1 à 4 morceaux, 2 oz (57 g) chacun** Placer sur un essuie-tout.
Petits pains/ muffins frais (précuits)	4	1 à 4 morceaux, 2 oz (57 g) chacun**/ Placer sur un essuie-tout.
Gruau	5	1 à 6 portions/ Suivre les indications sur l'emballage. Utiliser des bols à bords élevés qui vont au micro-ondes.

*Les différences de quantité de matière grasse, de viande, d'épaisseur et de procédé de salaison affectent les résultats. La moyenne est de 16 tranches par livre.

**Pour des pains plus petits, compter 2 petits pains comme 1 morceau.

Pour utiliser la cuisson personnalisée :

- Appuyer à plusieurs reprises sur CUSTOM COOK pour parcourir la liste des aliments
ou
Appuyer sur la touche numérique du type d'aliment désiré à partir du tableau.
- Entrer la quantité.
- Appuyer sur START ou attendre que le four à micro-ondes se mette en marche automatiquement après un bref délai.
L'affichage procède à un compte à rebours de la durée de cuisson.
À la fin du programme, "END" (fin) apparaît sur l'affichage, et les signaux de fin de programme sont émis, suivis de signaux de rappel.
- Appuyer sur CANCEL (annulation) ou ouvrir la porte pour effacer l'affichage et/ou arrêter les signaux de rappel.

Décongélation personnalisée

Pour la décongélation, on peut utiliser les programmes préréglés de la caractéristique Custom Defrost (décongélation personnalisée) ou bien régler le four à micro-ondes manuellement. Pour la programmation manuelle de la décongélation, utiliser 30 % de la puissance de cuisson. Se référer à un livre de cuisine fiable pour des renseignements concernant la décongélation.

- Pour des résultats optimaux, l'aliment doit être à 0°F (-18°C) ou plus froid lors de la décongélation. Le mode de remisage des aliments peut affecter les résultats.
- Déballez les aliments et enlever les couvercles (par exemple, des contenants de jus de fruit) avant la décongélation.

- Les paquets peu épais se décongèlent plus rapidement que les blocs épais.
- Séparer les morceaux d'aliments le plus tôt possible durant ou à la fin du programme pour une décongélation plus uniforme.
- Utiliser de petits morceaux de papier d'aluminium pour protéger les extrémités d'aliments telles que les ailes et pilons de poulet et les queues de poisson. Voir d'abord "Papier d'aluminium et métal".

La caractéristique de décongélation personnalisée comporte des durées et puissances de cuisson préréglées pour 3 catégories : viande, volaille et poisson. La décongélation personnalisée ne doit pas être utilisée pour des aliments qui ont été laissés hors du congélateur pendant plus de 20 minutes ou pour les plats cuisinés surgelés. Utiliser le tableau suivant comme guide.

VIANDE

<i>Boeuf</i> : haché, biftecks, rôti, ragoût	Les sections étroites ou grasses des morceaux de forme irrégulière doivent être recouvertes de papier d'aluminium avant la décongélation.
<i>Agneau</i> : ragoût et côtelettes	
<i>Porc</i> : côtelettes, côtes, rôtis, saucisse	Ne pas décongeler moins de 1/4 lb (113 g) ou 2 galettes de 4 oz (113 g). Placer toute viande dans un plat de cuisson allant au micro-ondes. Ne pas couvrir.

VOLAILLE

<i>Poulet</i> : entier et en morceaux	Placer dans un plat de cuisson allant au micro-ondes, la poitrine de poulet vers le haut. Ne pas couvrir.
<i>Poulet de Cornouailles</i>	
<i>Dinde</i> : poitrine	

POISSON

<i>Filets, darnes, entier, crustacés</i>	Placer dans un plat de cuisson allant au four à micro-ondes. Ne pas couvrir.
--	--

Pour utiliser la décongélation personnalisée :

- Appuyer sur CUSTOM DEFROST.
L'affichage indiquera le réglage pour décongeler de la viande. Appuyer une deuxième fois sur CUSTOM DEFROST pour le réglage de la décongélation de volaille, et une troisième fois pour le poisson.
- Entrer le poids.
Le poids peut être réglé de 0,1 lb à 6 lb (45 g à 2,7 kg).
- Appuyer sur START (mise en marche).
L'afficheur procède à un compte à rebours de la durée de décongélation.
Pendant la décongélation, 5 signaux sonores brefs seront émis. Ces signaux sonores indiquent qu'il convient de vérifier, tourner, réarranger ou séparer les aliments. Ouvrir la porte, tourner les aliments si nécessaire, fermer la porte et appuyer sur START pour poursuivre la décongélation.
À la fin du programme, "END" (fin) apparaît sur l'affichage, et les signaux de fin de programme sont émis, suivis de signaux de rappel.
- Appuyer sur CANCEL (annulation) ou ouvrir la porte pour effacer l'affichage et/ou arrêter les signaux de rappel.

Cuisson par détection automatique

Le capteur dans le four à micro-ondes détecte l'humidité dégagée par l'aliment et règle automatiquement une durée de cuisson basée sur la catégorie d'aliment sélectionnée.

Utiliser le tableau suivant comme guide.

ALIMENTS	QUANTITÉ	INSTRUCTIONS
Pommes de terre au four	1 à 4 moyennes, 10 à 13 oz (283 à 369 g) chacune	Percer plusieurs fois chaque pomme de terre avec une fourchette. Les disposer sur le pourtour du plateau rotatif, à au moins 1" (2,5 cm) les unes des autres. Laisser reposer 5 minutes après cuisson.
Légumes surgelés	1 à 4 tasses (250 mL à 1 L)	Les sortir de l'emballage. Les placer dans un contenant pour micro-ondes. Recouvrir d'une pellicule de plastique et laisser une ouverture d'échappement de l'air. Remuer et laisser reposer 2 à 3 minutes après cuisson.
Légumes frais	1 à 4 tasses (250 mL à 1 L)	Les placer dans un contenant pour micro-ondes et ajouter 2 à 4 c. à soupe (30 à 60 mL) d'eau. Recouvrir d'une pellicule de plastique et laisser une ouverture d'échappement de l'air. Remuer et laisser reposer 2 à 3 minutes après cuisson.
Plats surgelés	10 à 20 oz (283 à 567 g)	Les sortir de l'emballage. Dégager l'opercule sur trois côtés. Si le plat ne se trouve pas dans un contenant pour micro-ondes, le placer sur une assiette, le couvrir d'une pellicule de plastique et laisser une ouverture d'échappement de l'air.
Riz	0,5 à 2 tasses (125 à 500 mL) de riz sec (Utiliser du riz à moyen ou long grain)	Suivre les mesures figurant sur l'emballage pour les quantités. Mettre le riz et le liquide dans un plat allant au micro-ondes. Couvrir avec un couvercle non hermétique. Laisser reposer 5 minutes après cuisson, ou jusqu'à absorption du liquide. Remuer.
Poisson	0,25 à 2 lb (113 à 907 g)	Placer dans un plat allant au micro-ondes. Recouvrir d'une pellicule de plastique et laisser une ouverture d'échappement de l'air. Laisser reposer 2 à 3 minutes après cuisson.
Fruits de mer		

REMARQUE : En couvrant les aliments, s'assurer que l'ouverture d'échappement de l'air est suffisante pour laisser l'humidité s'échapper. Ceci permettra au capteur de déterminer précisément la durée de cuisson.

Utilisation du mode de cuisson automatique :

Avant de l'utiliser, s'assurer que le four à micro-ondes est branché depuis au moins 3 minutes, que la température de la pièce n'est pas supérieure à 95°F (35°C) et que l'extérieur du contenant et la cavité du four à micro-ondes sont secs.

1. Placer les aliments sur le plateau rotatif et fermer la porte.
2. Appuyer sur COOK (AUTO SENSOR COOK) jusqu'à ce que le type d'aliment désiré s'affiche.

Le four à micro-ondes se met en marche automatiquement après un bref délai.

À la fin du programme, "END" (fin) apparaît sur l'affichage, et les signaux de fin de programme sont émis, suivis de signaux de rappel.

3. Appuyer sur CANCEL (annulation) ou ouvrir la porte pour effacer l'affichage et/ou arrêter les signaux de rappel.

Maïs éclaté - détection automatique

Le capteur du four à micro-ondes détermine la durée d'éclatement appropriée en fonction des emballages commerciaux de maïs à éclater pour micro-ondes.

- Ne pas utiliser de sacs de papier ordinaires ou d'articles en verre.
- Ne préparer que 1 sac de maïs à éclater à la fois.
- Suivre les instructions du fabricant lors de l'utilisation de l'éclateur de maïs pour four à micro-ondes.
- Attendre que l'éclatement ralentisse à 1 éclatement toutes les 1 ou 2 secondes, puis mettre fin au programme. Ne pas essayer de faire éclater les grains qui n'ont pas éclaté.
- Utiliser des sacs de maïs à éclater frais pour des résultats optimaux.
- Les résultats de cuisson peuvent varier en fonction de la marque et de la teneur en matières grasses. Pour des sacs dont les dimensions ne figurent pas dans cette section, suivre les indications de l'emballage.

Il existe 2 fonctions de maïs éclaté : Regular (régulier) et Snack (petit sachet). Choisir la fonction Regular pour les sacs de 3,5 oz (99 g) et de 3 oz (85 g). Utiliser la fonction Snack pour les sacs de 1,75 oz (50 g).

Utilisation de la détection automatique pour maïs éclaté :

1. Placer le sac de maïs à éclater sur le plateau rotatif.
2. Appuyer sur POPCORN une fois pour la fonction Regular, ou deux fois pour la fonction Snack.

Appuyer sur START (mise en marche) ou attendre que le four commence automatiquement le programme d'éclatement.

À la fin du programme, "END" (fin) apparaît sur l'affichage, et les signaux de fin de programme sont émis, suivis de signaux de rappel.

3. Appuyer sur CANCEL (annulation) ou ouvrir la porte pour effacer l'affichage et/ou arrêter les signaux de rappel.

Réchauffage - détection automatique

Un capteur dans le four à micro-ondes détecte l'humidité dégagée par l'aliment et règle automatiquement une durée de réchauffage basée sur la sélection. Utiliser le tableau suivant comme guide.

ALIMENTS	TAILLE DES PORTIONS/INSTRUCTIONS
Assiettée (réfrigérée)	8 à 16 oz (227 à 454 g) Placer l'aliment sur une assiette allant au micro-ondes, couvrir d'une pellicule de plastique et laisser une ouverture d'échappement de l'air.
Soupe	1 à 4 tasses (250 mL à 1 L) Placer dans un contenant pour micro-ondes, couvrir d'une pellicule de plastique et laisser une ouverture d'échappement de l'air. Remuer et laisser reposer pendant 2 à 3 minutes après réchauffage.
Sauce	1 à 4 tasses (250 mL à 1 L) Placer dans un contenant pour micro-ondes, recouvrir d'une pellicule de plastique et laisser une ouverture d'échappement de l'air. Remuer et laisser reposer pendant 2 à 3 minutes après réchauffage.
Mets en sauce (réfrigéré)	1 à 2 tasses (250 à 500 mL) Placer dans un contenant pour micro-ondes, recouvrir d'une pellicule de plastique et laisser une ouverture d'échappement de l'air. Remuer et laisser reposer pendant 2 à 3 minutes après réchauffage.

REMARQUE : En couvrant les aliments, s'assurer que l'ouverture d'échappement de l'air est suffisante pour laisser l'humidité s'échapper. Ceci permettra au capteur de déterminer précisément la durée de réchauffage.

Utilisation de la détection automatique pour le réchauffage :

Avant de l'utiliser, s'assurer que le four à micro-ondes est branché depuis au moins 3 minutes, que la température de la pièce n'est pas supérieure à 95°F (35°C) et que l'extérieur du contenant et la cavité du four à micro-ondes sont secs.

1. Placer les aliments sur le plateau rotatif et fermer la porte.
2. Appuyer sur REHEAT jusqu'à ce que le type d'aliment désiré s'affiche.

Le four à micro-ondes se met en marche automatiquement après un bref délai.

À la fin du programme, "END" (fin) apparaît sur l'affichage, et les signaux de fin de programme sont émis, suivis de signaux de rappel.

3. Appuyer sur CANCEL (annulation) ou ouvrir la porte pour effacer l'affichage et/ou arrêter les signaux de rappel.

Keep Warm (maintien au chaud)

AVERTISSEMENT

Risque d'empoisonnement alimentaire

Ne pas laisser des aliments dans un four plus d'une heure avant ou après la cuisson.

Le non-respect de cette instruction peut causer un empoisonnement alimentaire ou une maladie.

Les aliments cuits chauds peuvent être gardés chauds dans le four à micro-ondes. La fonction de maintien au chaud peut être utilisée seule, ou être programmée pour suivre un programme de cuisson. L'ouverture de la porte au cours de la fonction de maintien au chaud annulera la fonction.

Utilisation :

Placer l'aliment cuit chaud dans le four à micro-ondes. Couvrir les assiettes d'aliments et les aliments qui ont été cuits couverts. Ne pas couvrir les pâtisseries, tartes, chaussons, etc.

1. Appuyer sur KEEP WARM.
"WARM HOLD" défile deux fois, puis "START" clignote.
2. Appuyer sur START (mise en marche).
"WARM" apparaît sur l'afficheur pendant toute la durée du programme.
À la fin du programme, "END" (fin) apparaît sur l'affichage, et les signaux de fin de programme sont émis, suivis de signaux de rappel.
3. Appuyer sur CANCEL (annulation) ou ouvrir la porte pour effacer l'affichage et/ou arrêter les signaux de rappel.

Réglage de la fin d'un programme : Appuyer sur KEEP WARM durant le réglage d'un programme de cuisson avant d'appuyer sur START.

ENTRETIEN DU FOUR À MICRO-ONDES

Nettoyage général

IMPORTANT : Avant le nettoyage, s'assurer que toutes les commandes sont désactivées et que le four à micro-ondes est froid. Toujours suivre les instructions sur l'étiquette des produits de nettoyage.

Le savon, l'eau et un linge doux ou une éponge sont suggérés en premier à moins d'avis contraire.

CAVITÉ DU FOUR

Ne pas utiliser de tampons savonneux à récurer, de nettoyeurs abrasifs, de tampons en laine d'acier, de chiffons rugueux de lavage ou certains genres d'essuie-tout recyclés. Des dommages peuvent survenir.

Sur les modèles en acier inoxydable, frotter dans le sens du grain pour éviter d'endommager le fini.

La surface où la porte et le cadre du four se touchent quand la porte est fermée doit être maintenue propre.

Saleté moyenne

- Savons et détergents doux, non abrasifs :

Rincer à l'eau propre et sécher avec un linge doux sans charpie.

Saleté intense

- Savons et détergents doux, non abrasifs :

Faire chauffer 1 tasse (250 mL) d'eau pendant 2 à 5 minutes dans le four. La vapeur amollira la saleté. Rincer à l'eau propre et sécher avec un linge doux sans charpie.

Odeurs

- Jus de citron ou vinaigre :

Faire chauffer une tasse (250 mL) d'eau avec 1 c. à soupe (15 mL) de jus de citron ou de vinaigre pendant 2 à 5 minutes dans le four.

Couvercle - orifice d'introduction des micro-ondes

Le couvercle - orifice d'introduction des micro-ondes (voir la section "Pièces et caractéristiques") doit être maintenue propre pour éviter la formation d'arcs et les dommages causés au four.

- Essuyer avec un chiffon humide.

PORTE DU FOUR ET EXTÉRIEUR

La surface où la porte et le cadre du four se touchent quand la porte est fermée doit être maintenue propre.

- Savons et détergents doux, non abrasifs :

Rincer à l'eau propre et sécher avec un linge doux sans charpie.

- Nettoyant à vitres et essuie-tout ou tampon à récurer en plastique non abrasif :

Appliquer le nettoyant à vitres sur un linge doux, et non pas directement sur la surface.

Acier inoxydable (sur certains modèles)

Ne pas utiliser de tampons à récurer garnis de savon, nettoyeurs abrasifs, tampons en laine d'acier, chiffons de lavage rugueux ou certains essuie-tout. Des dommages peuvent survenir. Frotter dans le sens du grain pour éviter les dommages.

- Nettoyant et poli pour acier inoxydable (non inclus) :

Voir la section "Assistance ou service" pour soumettre une commande.

- Détergent liquide ou nettoyant tout-usage :

Rincer à l'eau propre et sécher avec un linge doux sans charpie.

- Vinaigre pour les taches d'eau dure.

PANNEAU DE COMMANDE

- Éponge ou linge doux et eau :

Humecter l'éponge avec l'eau et essuyer le panneau. Sécher avec un linge doux.

- Ne pas utiliser de produits de nettoyage chimiques ou abrasifs.

PLATEAU ROTATIF

Remettre le plateau rotatif en place immédiatement après le nettoyage. Ne pas faire fonctionner le four lorsque le plateau rotatif est enlevé.

- Nettoyant doux et tampon à récurer

- Lave-vaisselle

DÉPANNAGE

Essayer les solutions suggérées ici d'abord afin d'éviter le coût d'une visite de service non nécessaire.

Rien ne fonctionne

- **Un fusible est-il grillé ou le disjoncteur s'est-il ouvert?**
Remplacer le fusible ou remettre le disjoncteur en fonction.

Le four ne fonctionne pas

- **La porte est-elle fermée complètement?**
Bien fermer la porte.
- **Une cale d'espacement (sur certains modèles) est-elle fixée à l'intérieur de la porte?**
Enlever la cale d'espacement, puis bien fermer la porte.
- **La commande électronique du four est-elle bien réglée?**
Voir la section "Commande du four à micro-ondes".
- **Sur certains modèles, le verrouillage des commandes est-il réglé?**
Voir la section "Verrouillage des commandes".
- **Sur certains modèles, le mode démonstration est-il réglé?**
Voir la section "Mode démonstration".
- **Le magnétron fonctionne-t-il correctement?**
Chauffer 1 tasse (250 mL) d'eau froide pendant 2 minutes à la puissance de cuisson maximale. Si l'eau ne chauffe pas, faire un appel de service. Voir la section "Assistance ou service".

Le four bourdonne

- Ceci est normal et se produit lorsque l'alimentation électrique allume et éteint le magnétron par intermittence.

La porte du four semble gondolée

- Ceci est normal et n'affecte pas la performance.

Le plateau rotatif ne fonctionne pas

- **Le plateau rotatif est-il bien en place?**
S'assurer que le plateau rotatif est à l'endroit et repose bien sur son support.
- **Le support du plateau rotatif fonctionne-t-il correctement?**
Retirer le plateau rotatif. Retirer et réinstaller le support du plateau rotatif. Réinstaller le plateau rotatif. Placer 1 tasse (250 mL) d'eau, puis remettre le four à micro-ondes en marche. S'il ne fonctionne toujours pas, faire un appel de service. Voir la section "Assistance ou service". Ne pas faire fonctionner le four à micro-ondes sans que le plateau rotatif et son support fonctionnent correctement.

Le plateau rotatif tourne dans les deux sens

- Ceci est normal et dépend de la rotation du moteur au début du programme.

L'affichage indique des messages

- **L'affichage indique-t-il ":"?**
L'horloge n'a pas été réglée. Voir la section "Affichage" pour effacer l'affichage. Voir la section "Horloge" pour régler de nouveau l'horloge.
- **L'affichage indique-t-il une lettre suivie d'un chiffre?**
Voir la section "Affichage" pour effacer l'affichage. S'il réapparaît, faire un appel de service. Voir la section "Assistance ou service".

L'afficheur indique le compte à rebours, mais le four à micro-ondes ne fonctionne pas

- **La minuterie est-elle en cours d'utilisation?**
Voir la section "Minuterie".
- **Sur certains modèles, le mode démonstration est-il réglé?**
Voir la section "Mode démonstration".

Les signaux sonores ne sont pas émis

- **Les signaux sonores sont-ils désactivés?**
Voir la section "Signaux sonores".

Les durées de cuisson semblent trop longues

- **La puissance de cuisson est-elle bien réglée?**
Voir la section "Puissance de cuisson".
- **Chauffe-t-on de grosses quantités d'aliments?**
Les quantités plus grandes d'aliments nécessitent des durées de cuisson plus longues.
- **La tension d'alimentation est-elle inférieure à celle indiquée dans "Sécurité du four à micro-ondes"?**
Faire vérifier le système électrique du domicile par un électricien qualifié.

Brouillage par la radio, le téléviseur, le téléphone sans fil, etc.

- **Le four à micro-ondes est-il branché sur la même prise?**
Essayer une prise différente.
- **La radio ou le téléviseur se trouve-t-il près du four à micro-ondes?**
Éloigner l'appareil du four à micro-ondes ou ajuster l'antenne de la radio ou du téléviseur.
- **La porte du four à micro-ondes et les surfaces d'étanchéité sont-elles propres?**
S'assurer que ces zones sont propres.
- **Le téléphone sans fil est-il de fréquence 2,4 GHz?**
Certains téléphones sans fil de 2,4 GHz et certains réseaux domestiques sans fil peuvent être l'objet de parasites ou de bruit lorsque le four est en marche. Utiliser un téléphone avec fil, un téléphone sans fil avec une fréquence différente ou éviter d'utiliser ces articles pendant le fonctionnement du four.

ASSISTANCE OU SERVICE

Avant de faire un appel pour assistance ou service, consulter la section "Dépannage". Ce guide peut vous faire économiser le coût d'une visite de service. Si vous avez encore besoin d'aide, suivre les instructions ci-dessous.

Lors d'un appel, veuillez connaître la date d'achat, le numéro de modèle et le numéro de série au complet de l'appareil. Ces renseignements nous aideront à mieux répondre à votre demande.

Si vous avez besoin de pièces de rechange

Si vous avez besoin de commander des pièces de rechange, nous vous recommandons d'employer uniquement des pièces spécifiées par l'usine. Les pièces spécifiées par l'usine conviendront et fonctionneront bien parce qu'elles sont fabriquées avec la même précision que celles utilisées dans la fabrication de chaque nouvel appareil KITCHENAID®.

Pour localiser des pièces spécifiées par l'usine dans votre région, contactez-nous ou appelez le centre de service désigné de KitchenAid le plus proche.

Pour des questions relatives aux produits, veuillez appeler sans frais le Centre d'interaction avec la clientèle de KitchenAid Canada au : **1-800-461-5681**

Lundi à vendredi 8 h - 18 h (HNE).

Samedi 8 h 30 - 16 h 30 (HNE).

Nos consultants vous renseigneront sur les sujets suivants :

- Caractéristiques et spécifications sur toute notre gamme d'appareils électroménagers.
- Références aux marchands locaux.

Pour pièces, accessoires et service

Composer le **1-800-807-6777**. Les techniciens de service désignés par KitchenAid Canada sont formés pour remplir la garantie des produits et fournir un service après la garantie, partout au Canada.

Pour plus d'assistance

Si vous avez besoin de plus d'assistance, vous pouvez soumettre par écrit toute question ou préoccupation à KitchenAid Canada à l'adresse suivante :

Centre d'interaction avec la clientèle
KitchenAid Canada
1901 Minnesota Court
Mississauga, Ontario L5N 3A7

Veuillez inclure dans votre correspondance un numéro de téléphone où on peut vous joindre dans la journée.

Pièces de rechange

Plateau rotatif N° de pièce 8205147	Roulettes du plateau rotatif N° de pièce 8205149
Support du plateau rotatif et ensemble de roulettes N° de pièce 8205148	Nettoyant et poli pour acier inoxydable N° de pièce 8171420

Trousses pour fours encastrés

Ce four à micro-ondes de plan de travail peut être encastré à l'aide de l'une des trousse suivantes*. Ces trousse sont disponibles auprès du marchand ou peuvent être commandées en indiquant le numéro de modèle de la trousse. Voir la section "Assistance ou service" pour le numéro sans frais.

TAILLE DE LA TROUSSE	NUMÉROS/COLORIS DES MODÈLES DE TROUSSE	POUR INSTALLATION SUR MODÈLES DE FOUR
24" (61 cm)	MK1154XPQ / Blanc	KEBI141D
	MK1154XPB / Noir	KEBS147D
	MK1154XPS / Acier inoxydable	
27" (69 cm)	MK1157XPQ / Blanc	KEBI171D
	MK1157XPB / Noir	KEBS177D
	MK1157XPS / Acier inoxydable	
30" (76 cm)	MK1150XPQ / Blanc	KEBI101D
	MK1150XPB / Noir	KEBS107D
	MK1150XPS / Acier inoxydable	

*Fours à micro-ondes électriques simples, approuvés seulement

GARANTIE DU FOUR À MICRO-ONDES KITCHENAID®

GARANTIE COMPLÈTE DE UN AN

Pour un an à compter de la date d'achat, lorsque cet appareil ménager est utilisé et entretenu conformément aux instructions fournies avec ou jointes au produit, KitchenAid Canada paiera pour les pièces spécifiées par l'usine et les frais de main-d'oeuvre en cas de vices de matériaux ou de fabrication. Le service doit être fourni par une compagnie de service désignée par KitchenAid.

GARANTIE LIMITÉE DE LA DEUXIÈME À LA CINQUIÈME ANNÉE INCLUSIVEMENT SUR LE TUBE MAGNÉTRON, TOUT ÉLÉMENT ÉLECTRIQUE DU FOUR ET LE SYSTÈME DE COMMANDE À SEMI-CONDUCTEURS

De la deuxième à la cinquième année inclusivement à partir de la date d'achat, lorsque cet appareil est utilisé et entretenu conformément aux instructions fournies avec ou jointes au produit, KitchenAid Canada paiera pour les pièces spécifiées par l'usine pour le tube magnétron à micro-ondes, tout élément électrique du four et le système de commande à semi-conducteurs, en cas de vices de matériaux ou de fabrication.

GARANTIE LIMITÉE DE LA DEUXIÈME À LA DIXIÈME ANNÉE INCLUSIVEMENT SUR LA CAVITÉ DU FOUR ET LA PORTE INTÉRIEURE EN ACIER INOXYDABLE

De la deuxième à la dixième année inclusivement à partir de la date d'achat, lorsque cet appareil est utilisé et entretenu conformément aux instructions fournies avec ou jointes au produit, KitchenAid Canada paiera pour les pièces spécifiées par l'usine pour la cavité du four et la porte intérieure en acier inoxydable en cas de vices de matériaux et de fabrication.

KitchenAid Canada ne paiera pas pour :

1. Les appels de service pour rectifier l'installation de l'appareil, donner des instructions concernant l'utilisation de l'appareil, remplacer les fusibles ou rectifier l'installation électrique de la maison, ou remplacer les ampoules accessibles au propriétaire.
2. Les réparations lorsque l'appareil est utilisé à des fins autres que domestiques normales.
3. Le ramassage et la livraison. Votre appareil est conçu pour être réparé sur place.
4. Les dommages causés par accident, modification, usage inapproprié ou abusif, incendie, inondation, actes de Dieu, mauvaise installation ou utilisation de produits non approuvés par KitchenAid Canada.
5. Les réparations de pièces ou systèmes imputables à des modifications exécutées sans autorisation sur l'appareil.
6. Les pièces de rechange ou frais de main-d'oeuvre pour les appareils utilisés hors du Canada.
7. Les frais de voyage ou de transport chez les clients qui habitent dans des régions éloignées.
8. Tous les frais de main-d'oeuvre durant la période de garantie limitée.

KITCHENAID CANADA DÉCLINE TOUTE RESPONSABILITÉ AU TITRE DE DOMMAGES FORTUITS OU INDIRECTS.

Certaines provinces ne permettent pas l'exclusion ou la limitation des dommages fortuits ou indirects par conséquent, cette exclusion ou limitation peut ne pas s'appliquer dans votre cas. Cette garantie vous donne des droits juridiques spécifiques, et vous pouvez aussi avoir d'autres droits qui varient d'une province à une autre.

Cette garantie ne s'applique pas en dehors du Canada. Contacter le vendeur autorisé KitchenAid pour savoir si une autre garantie s'applique.

Si vous avez besoin de service, voir d'abord la section "Dépannage". Après avoir vérifié la section "Dépannage", une aide additionnelle peut être trouvée en vérifiant la section "Assistance ou service" ou en contactant votre compagnie de service désignée par KitchenAid Canada ou en composant le **1-800-807-6777**.

2/05

Conservez ce manuel et votre reçu d'achat pour référence ultérieure. Vous devez fournir la preuve d'achat ou de la date d'installation pour le service couvert par la garantie.

Écrivez les renseignements suivants concernant votre appareil afin d'obtenir une assistance ou un service plus rapide en cas de besoin. Vous devrez connaître vos numéros complets de modèle et de série. Vous pouvez trouver cette information sur la plaque signalétique située sur l'appareil tel qu'indiqué à la section "Pièces et caractéristiques".

Nom du marchand _____

Adresse _____

Numéro de téléphone _____

Numéro de modèle _____

Numéro de série _____

Date d'achat _____

8205543/3828W5A8154

© 2005. All rights reserved.
Tous droits réservés.

© Registered Trademark/TM Trademark of KitchenAid, U.S.A., KitchenAid Canada licensee in Canada
© Marque déposée/TM Marque de commerce de KitchenAid, U.S.A., Emploi licencié par KitchenAid Canada au Canada
*Styrofoam is a Registered Trademark of The Dow Chemical Company.
*Styrofoam est une marque déposée de The Dow Chemical Company.

2/05
Printed in China
Imprimé en Chine

Free Manuals Download Website

<http://myh66.com>

<http://usermanuals.us>

<http://www.somanuals.com>

<http://www.4manuals.cc>

<http://www.manual-lib.com>

<http://www.404manual.com>

<http://www.luxmanual.com>

<http://aubethermostatmanual.com>

Golf course search by state

<http://golfingnear.com>

Email search by domain

<http://emailbydomain.com>

Auto manuals search

<http://auto.somanuals.com>

TV manuals search

<http://tv.somanuals.com>