

PARTS LIST

for

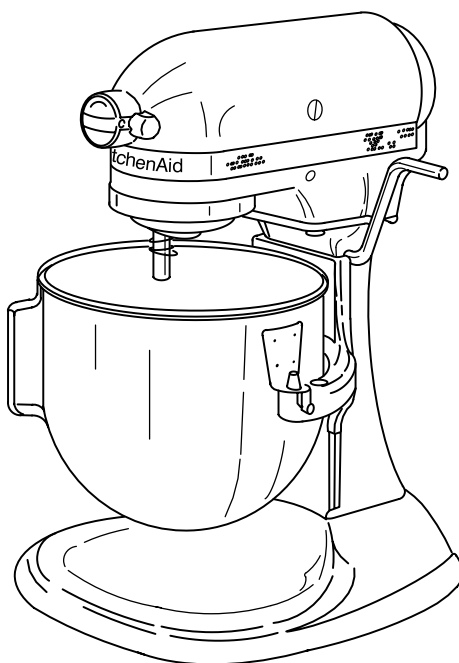
KitchenAid®

COMMERCIAL MIXER

MODEL VARIATIONS

OF

KSMC50 SOLID STATE



FOR CUSTOMER SATISFACTION ALWAYS USE
FACTORY SPECIFICATION PARTS



© 2001 KITCHENAID

ST. JOSEPH MICHIGAN 49085

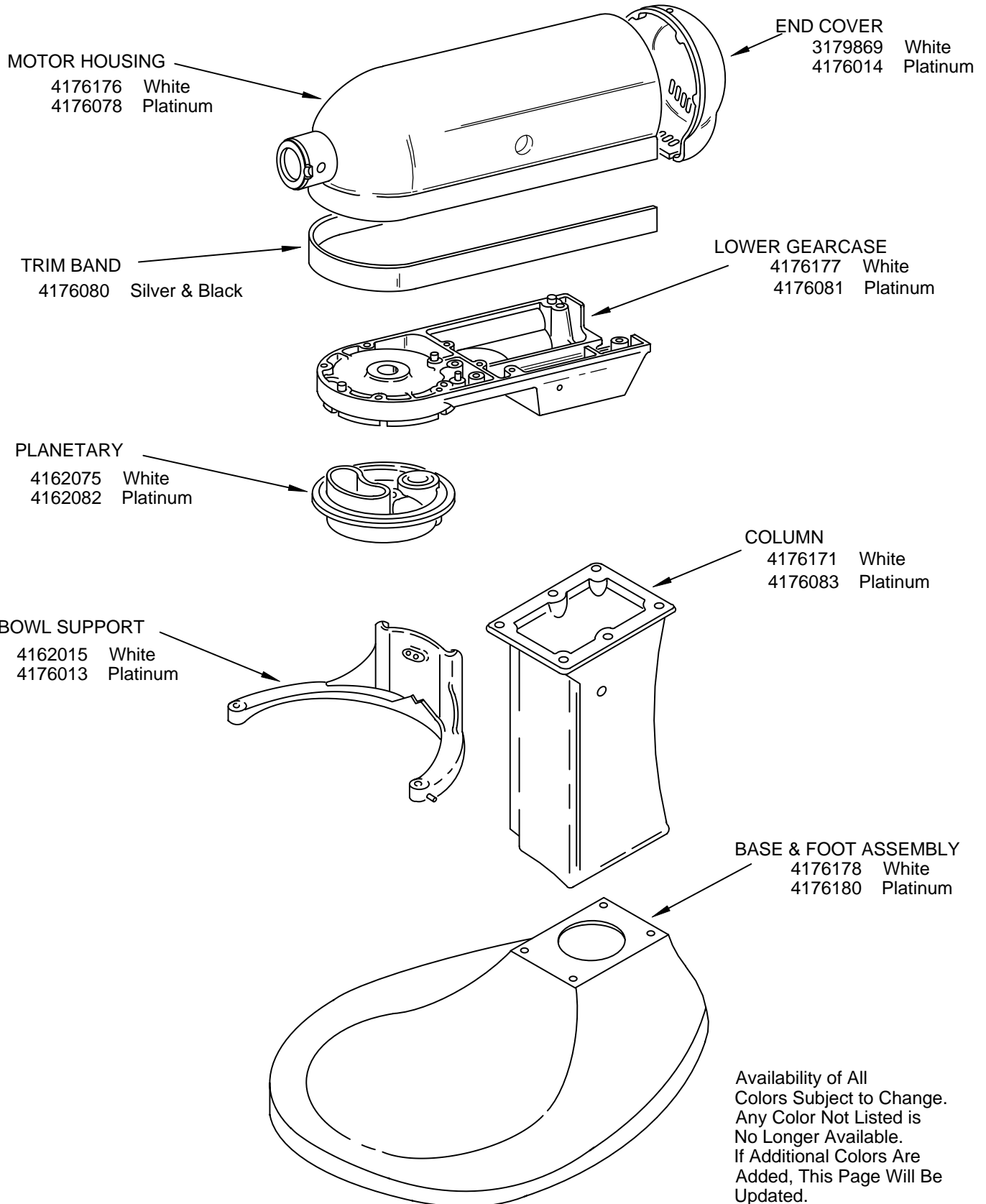
This Parts List Supercedes All Previous KSMC50 Parts Lists.
Updates Required Only on Page 2.

7-01 Litho in U.S.A. (lml)

Part No. 4176925 Rev.B

COLOR VARIATION PARTS

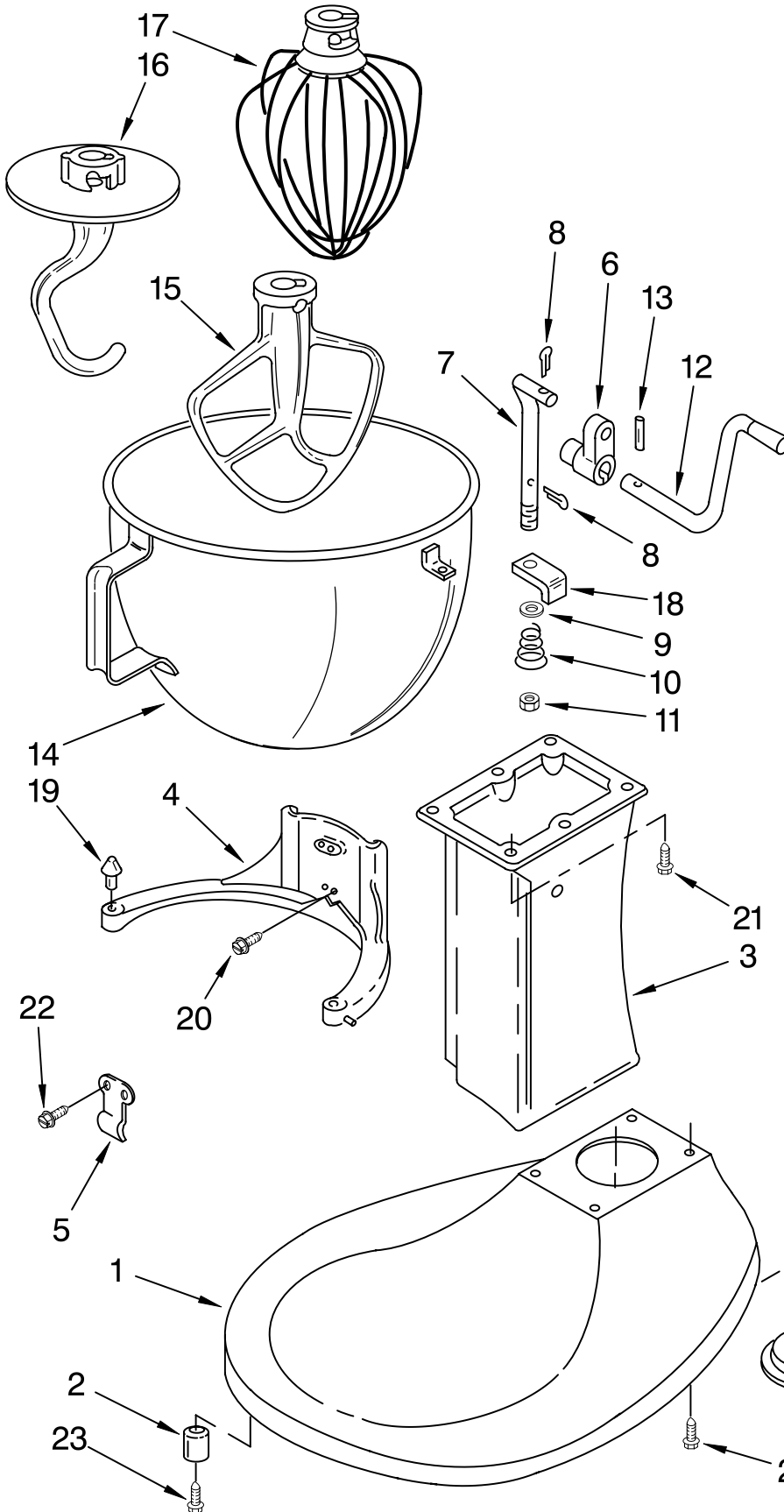
For Model: KSMC50



FOR ORDERING INFORMATION REFER TO PARTS PRICE LIST

BASE AND PEDESTAL UNIT

For Model: KSMC50



Illus. No.	Part No.	DESCRIPTION
1	**	Base & Foot Supports
2	4162038	Foot, Rubber (4)
3	**	Column Assembly
4	**	Bowl Support
5	4159618	Latch, Bowl Spring
6	4162874	Arm, Bowl Lift
7	4159620	Rod, Bowl Lift
8	4159126	Cotter Pin 3/32 X 1/2 (2)
9	4159514	Washer
10	4159622	Spring
11	4159092	Nut, 1/4-28
12	4159615	Handle, Bowl Lift
13	4176048	Roll Pin
14	3177258	Bowl (5 Qt) Satin, Stainless
15	3177260	Beater, Flat
16	3177261	Dough Hook
17	3177259	Wire Whip
18	4162022	Bracket, Bowl Lift
19	4162028	Pin, Bowl Locating
20	4159214	Screw, #10-24 x 1/2
21	4162403	Screw, Special #5/16-18 x 3/4 Pan Head (4)
22	4159193	Screw, Machine #10-24 x 1/4 Round Head
23	4159349	Screw, #8 x 3/8 Phil. Rd. Hd. Type B
24	4176184	Plug Button

LITERATURE PARTS

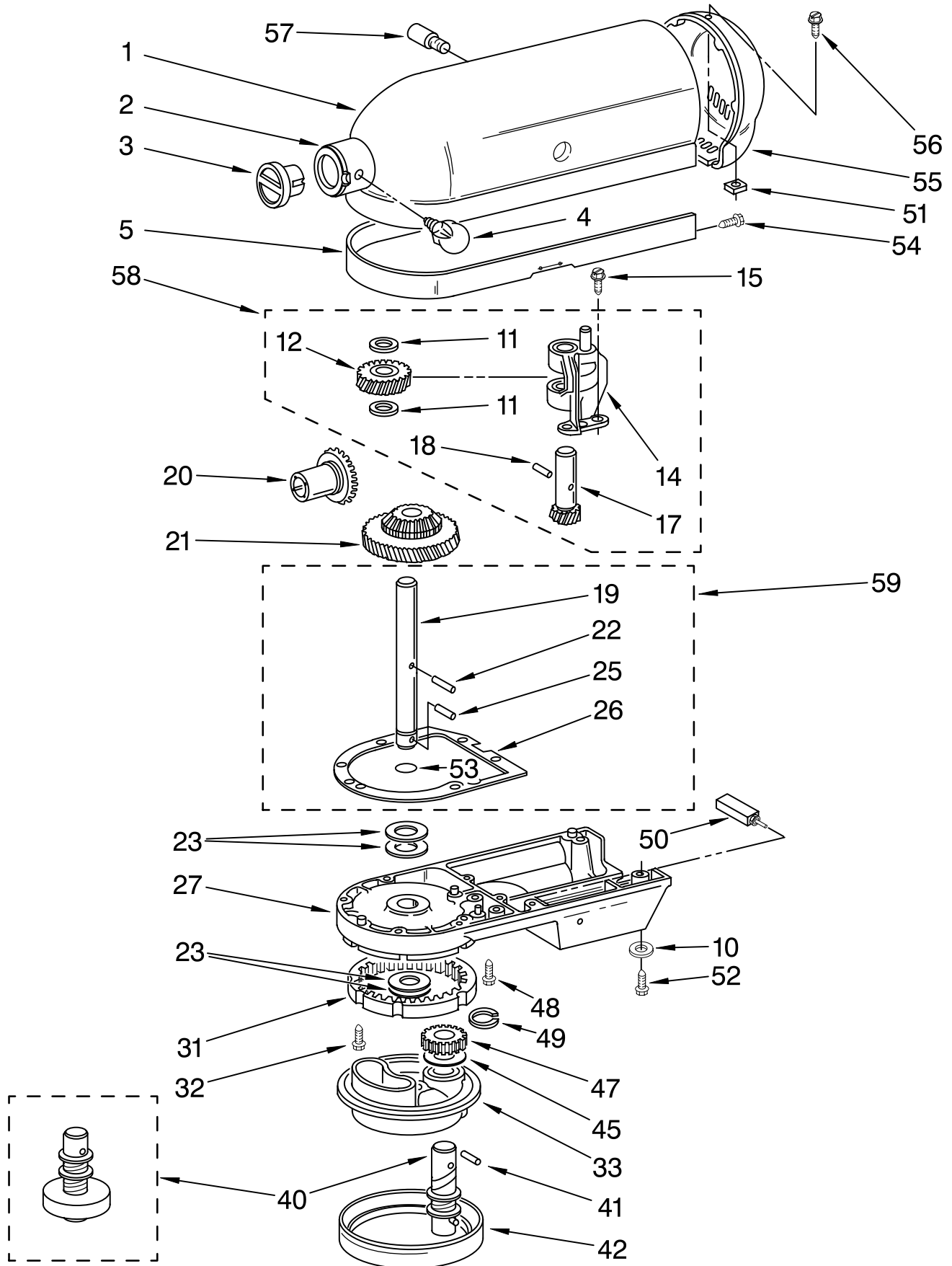
LIT3177217 Instruction Manual
LIT4176925 Repair Parts List

**Refer to Page 2

FOR ORDERING INFORMATION REFER TO PARTS PRICE LIST

CASE, GEARING AND PLANETARY UNIT

For Model: KSMC50



FOR ORDERING INFORMATION REFER TO PARTS PRICE LIST

CASE, GEARING AND PLANETARY UNIT

For Model: KSMC50

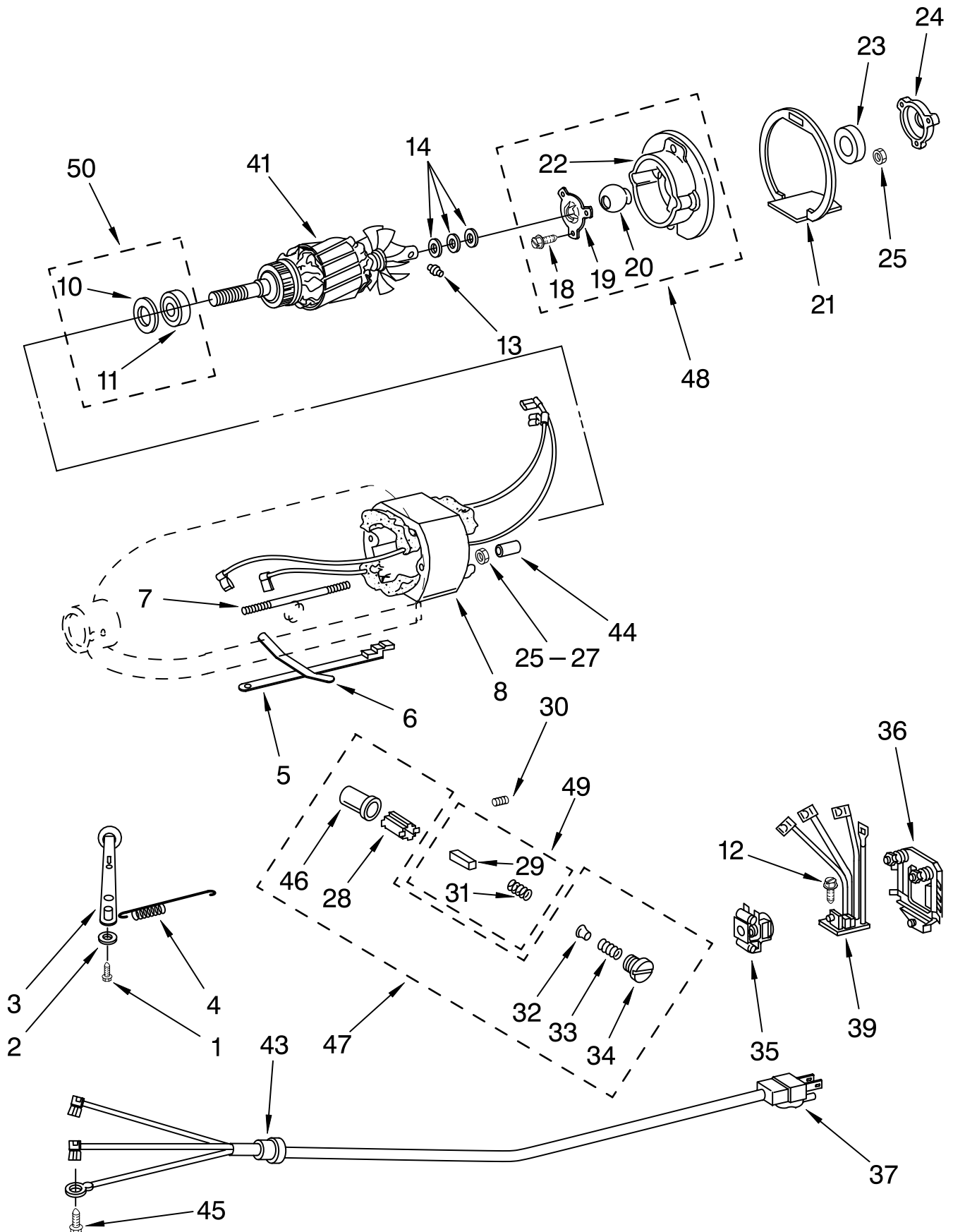
Illus. No.	Part No.	DESCRIPTION	Illus. No.	Part No.	DESCRIPTION	Illus. No.	Part No.	DESCRIPTION
1	**	Gearcase Motor Housing (Includes Illus 2)	25	4159133	Groov-Pin, Type E, 5/32" X 7/8"	55	**	Cover, End
2	4159709	Ring, Attachment Hub	26	4162324	Gasket, Case	56	4162914	Screw, 6-32 X 3/8 Phil. Oval Hd.
3	4176079	Cap, Attachemnt Hub	27	**	Lower Gear Case	57	4176183	Pin-Guard
4	4162142	Thumb Screw	31	4161402	Gear, Internal (59T)	58	4162101	Worm Gear Bracket And Gear (10 T & 23 T) (Incls. Illus 11 thru 14 17 & 18)
5	**	Band, Trim	32	4160595	Screw, Special (5)	59	4160474	Center Shaft & "O" Ring (Incls. Illus. 19,22,25,26, & 53)
10	4159479	Lock Washer, #10 Light	33	**	Planetary			
11	3180161	Washer, Fiber (Black, Gray)	40	4176082	Agitator Shaft			
12	4162897	Worm Gear (23T)	41	4161950	Pin (Agitator Shaft Pinion)			
14	4162099	Worm Gear Bracket And Bearing	42	4162074	Ring, Planetary Drip			
15	4159180	Screw And L.W. Assy. #10-24 X 7/16" Phil. Fil. Hd. (3)	45	3180160	Washer, Shim (.015 & .031 Thk)			
17	4162037	Shaft & Pinion (10T)	47	4161401	Pinion, Gear (18T) (Agitator Shaft)			
18	4159131	Groov-Pin-Type E 3/32" X 3/4"	48	4159215	Screw, Machine 10-32 X 5/16" Flat Head	<u>LITERATURE PARTS</u>		
19	4161956	Shaft, Vertical Center	49	4159614	Washer, Retaining	LIT3177217		Instruction Manual
20	4161405	Gear, Attachment Hub Bevel (23T)	50	4176099	Circuit Breaker	LIT4176925		Repair Parts List
21	4161403	Bevel Pinion (19T) & Center Gear (62T)	52	4159204	Machine Screw, 10-24 X 1 Fil. Head			
22	4161950	Pin (Vertical Center Shaft)	53	4159817	"O" Ring			
23	3180163	Washer, Fiber (Black, Gray)	54	4159430	Screw, Self Tapping 6-32 X 1/4" Phil. Pan Hd. Type F			

**Refer to Page 2

FOR ORDERING INFORMATION REFER TO PARTS PRICE LIST

MOTOR AND CONTROL PARTS

For Model: KSMC50



FOR ORDERING INFORMATION REFER TO PARTS PRICE LIST

MOTOR AND CONTROL PARTS

For Model: KSMC50

Illus. No.	Part No.	DESCRIPTION	Illus. No.	Part No.	DESCRIPTION	Illus. No.	Part No.	DESCRIPTION
1	4160965	Screw, Pivot	27	4159494	Lock Washer #10 Ext. Shake-proof	46	3179908	Housing, Brush Holder
2	4161697	Washer, Spring	28	4162320	Insert, Brush Holder	47	4162546	Brush Holder (Incls. Illus. 28, 32, 33, 34, & 46)
3	4162607	Switch Lever And Stud	29	4162648	Brush, Carbon	48	4162463	Motor Bearing Bracket (Incls. Illus 18, 19, 20, 22, 23 & 24)
4	4160596	Spring, Control Plate	30	4159262	Set Screw, 10-24 X 1/4" Hdls. Cup Pt	49	4159774	Brush & Spring (Incls. Illus. 29 & 31)
5	4176111	Speed Link & Cam	31	4162424	Spring, Brush	50	4176025	Ball Bearing And Washer Kit
6	4162035	Spring, Flat	32	4161745	Cap, Spring Seat			
7	4162344	Screw, Stator	33	4161746	Spring, Cap			
8	4163585	Field Assembly (Must Use With Item # 41) 115 Volts	34	3179909	Cap, Brush Holder (Black)			
10	4162428	Washer, Ball Bearing (Front)	35	4159675	Governor Assembly			
11	4159001	Ball Bearing SKF-6200ZJ	36	4162402	Control Plate Assembly			
12	4159438	Screw, Self Tapping 4-40 X 5/16" Phil. Pan Hd. Type TT	37	3177532	Cord & Plug 115 Volt			
13	4159662	Stud, Governor Drive	39	4163711	Phase Control Board (115 Volt)			
14	3180162	Washer, Fiber (Black, Gray, Red, White)	41	4162959	Armature & Bearing (115 V.) Incls. Illus 11) (Must use with Illus. 8)			
18	4159415	Screw, Self Tapping 4-40 X 1/2" Phil. Pan Hd. Type TT	43	4176021	Strain Relief			
19	4162349	Retainer, Bearing	44	4162634	Sleeve, Motor Stud			
20	4162348	Bearing (Fan End)	45	4176022	Screw, Self Tapping (10-32 X 1/4") Phil. Pan Hd. Type TT			
21	4162351	Seal, End						
22	4162337	Bracket, Bearing						
23	4159539	Washer, Felt						
24	4162347	Cap, Motor Bearing						
25	4159074	Nut, Machine Hex (10-24)						

Following Parts Not Illustrated

OPTIONAL ATTACHMENTS, ACCESSORIES AND SERVICE ITEMS

3177975	Pouring Shield (KPS2CL)
3177261	Dough Hook
3177260	Beater
3177259	Wire Whip
3177258	5 Qt. Bowl, Polished Stainless Steel
4164839	Speed Disc (Service Tool)
4160588	Grease, Planetary

FOR ORDERING INFORMATION REFER TO PARTS PRICE LIST

Free Manuals Download Website

<http://myh66.com>

<http://usermanuals.us>

<http://www.somanuals.com>

<http://www.4manuals.cc>

<http://www.manual-lib.com>

<http://www.404manual.com>

<http://www.luxmanual.com>

<http://aubethermostatmanual.com>

Golf course search by state

<http://golfingnear.com>

Email search by domain

<http://emailbydomain.com>

Auto manuals search

<http://auto.somanuals.com>

TV manuals search

<http://tv.somanuals.com>