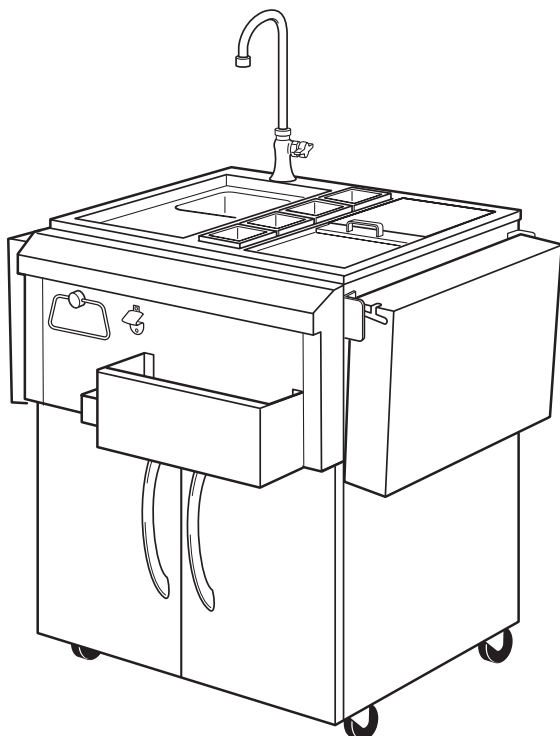


Installation Instructions and Use and Care Guide

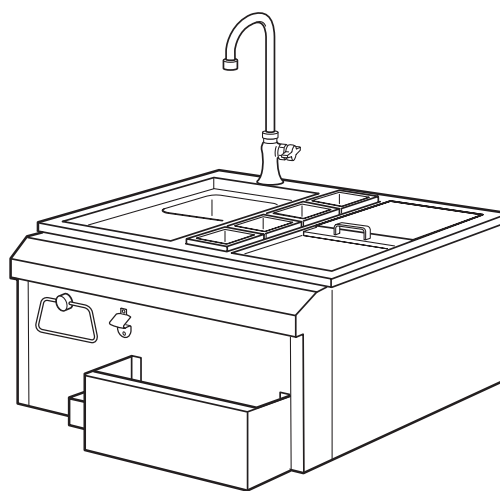


8184968A

Outdoor Bar Cart (Portable and Built-in)



Portable Model
KFBP102LSS



Built-in Model
KFBP100LSS

KitchenAid[®]
FOR THE WAY IT'S MADE[®]

Questions regarding features, operation, performance, parts or service? Call 1-800-422-1230 or visit our web site at www.kitchenaid.com.

IMPORTANT: Read and save these instructions.

IMPORTANT:

Installer: Leave Installation Instructions with the consumer.
Consumer: Keep Installation Instructions for future reference.

Write down the model and serial numbers before installing or using Outdoor Bar Cart.

Both numbers are on the model/serial number plate, located on the underside, right front of the Outdoor Bar Cart.

Model # _____

Serial # _____

Part No. 8184968 Rev. A

Before you start...

Your safety and the safety of others are very important.

We have provided many important safety messages in this manual and on your appliance. Always read and obey all safety messages.



This is the safety alert symbol.

This symbol alerts you to potential hazards that can kill or hurt you and others.

All safety messages will follow the safety alert symbol and either the word "DANGER" or "WARNING." These words mean:

! DANGER

You can be killed or seriously injured if you don't immediately follow instructions.

! WARNING

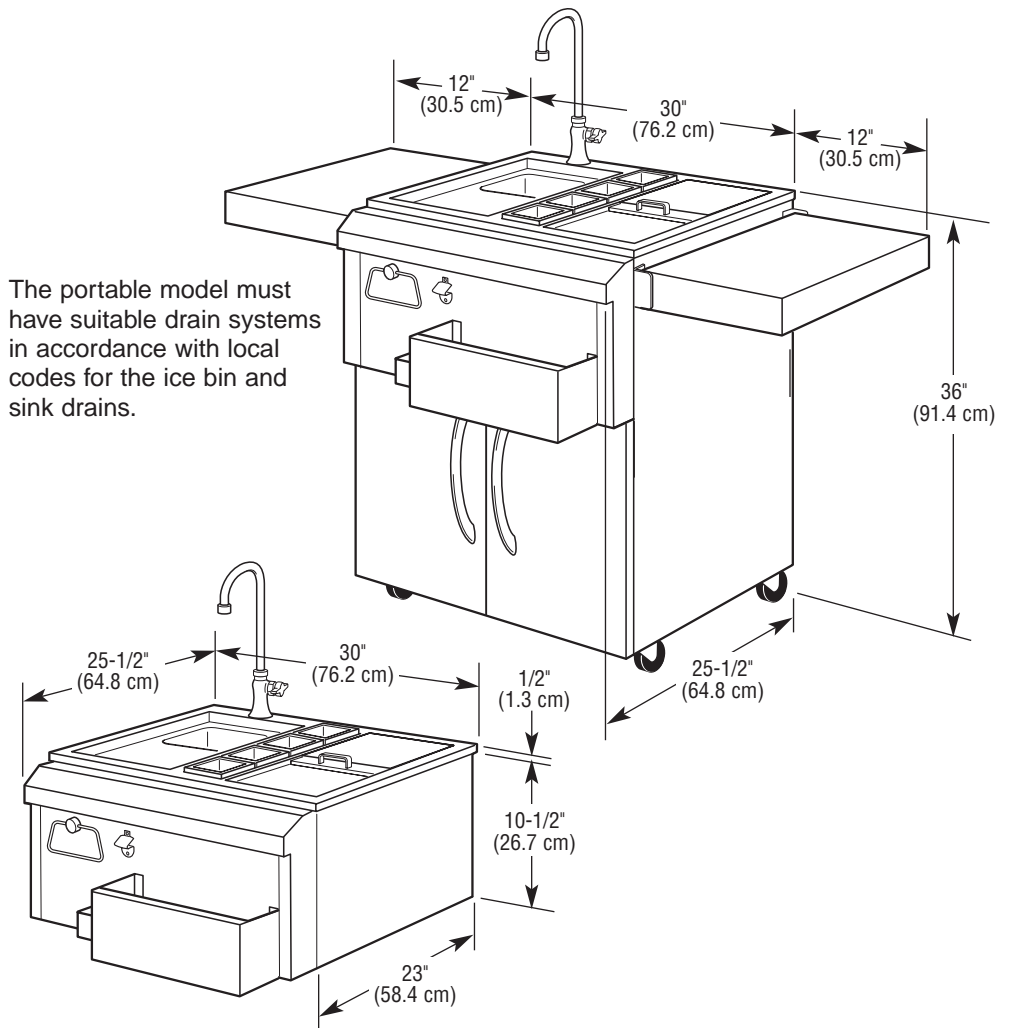
You can be killed or seriously injured if you don't follow instructions.

All safety messages will tell you what the potential hazard is, tell you how to reduce the chance of injury, and tell you what can happen if the instructions are not followed.

IMPORTANT: Observe all governing codes and ordinances.

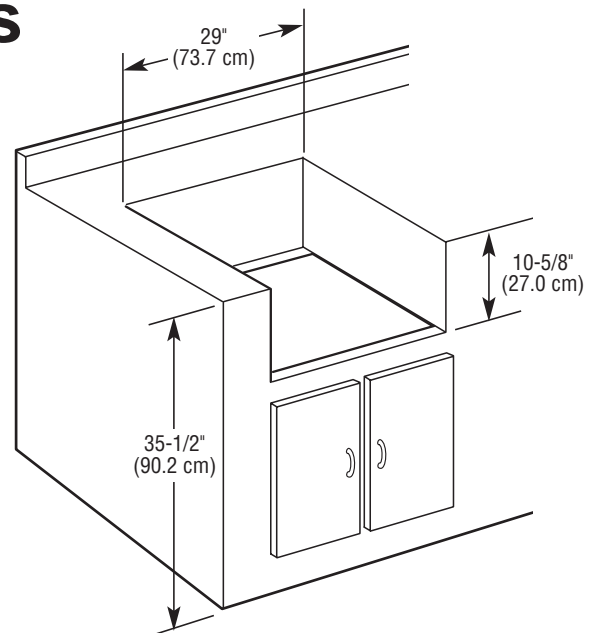
Product Dimensions

Portable and Built-in models



Built-in Installation Dimensions

Provide suitable drain systems in accordance with local codes for ice bin and sink drains. The drains and filter must be accessible.



Basic Parts of the Built-in and Portable models

Side shelves not shown

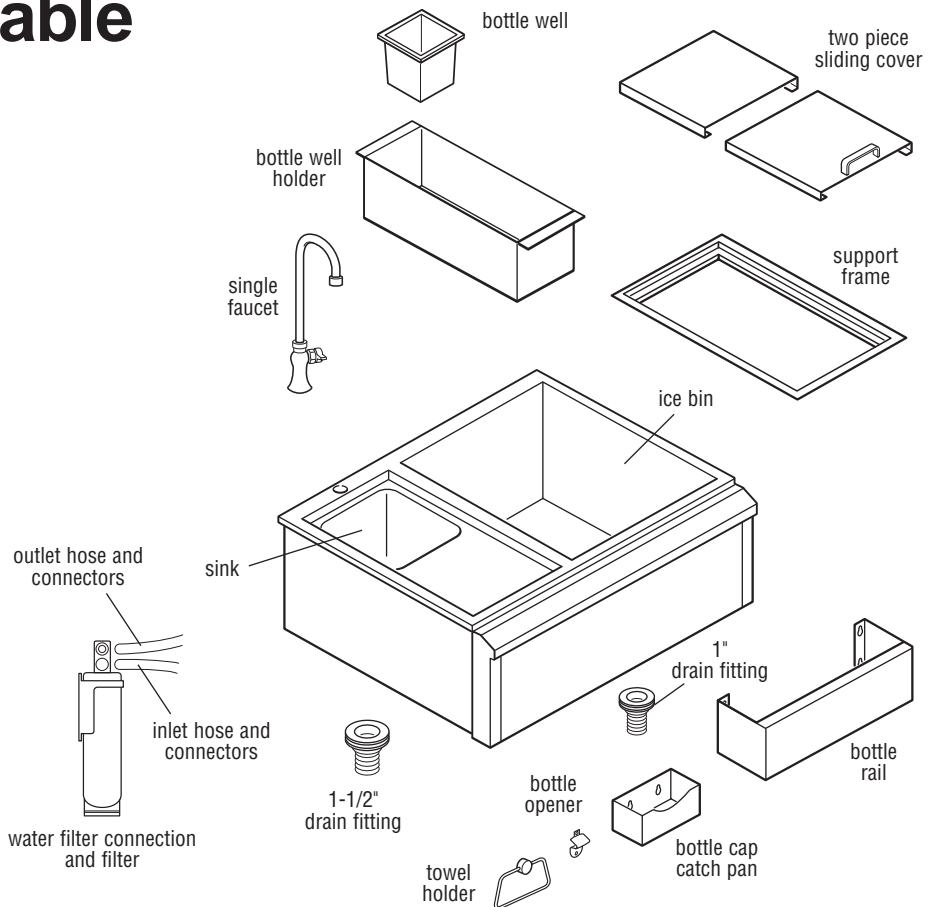
Tools needed:

Gather the required tools and parts before starting installation. Read and follow the instructions provided with any tools listed.

- Level
- Phillips screwdriver
- tape measure or ruler
- slip joint pliers
- pipe wrench
- adjustable wrench

Parts needed:

- 1-1/2" drain system
- 1" drain system
- NSF- or UPC-listed water connection lines
- plumbers putty
- clear silicon



Installation - Built-in model

⚠ WARNING

Excessive Weight Hazard

Use two or more people to move and install bar cart.

Failure to do so can result in back or other injury.

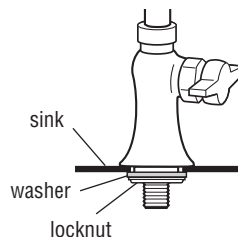
Use a certified plumber to connect and install potable water supply and drain system to outdoor bar cart per local code requirements.

1. Set the Bar Cart on a protective surface such as cardboard or a blanket.

2. Make sure you have the drain connections, in accordance with local codes, under the Bar Cart.

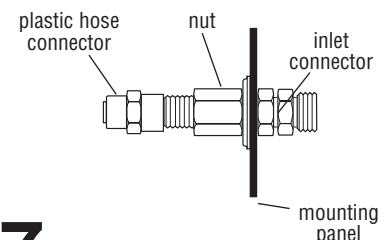
3. Remove the bottle rail, bottle cap catch pan and water filter from the ice bin.

4. Remove the faucet from the sink.

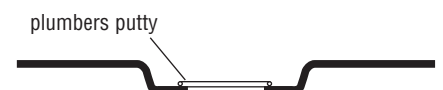


5. Install the faucet and fasten securely.

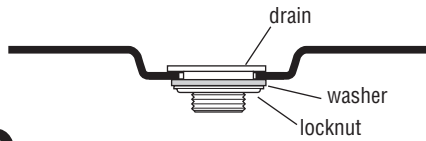
6. Install the water filter on the sink/faucet side of the cutout. Position the filter so that the plastic hose attached to the filter easily reaches the faucet connection.



7. Install water inlet connection in a convenient location under the cutout. Position the water inlet connection so that the plastic hose easily reaches the filter inlet connection.

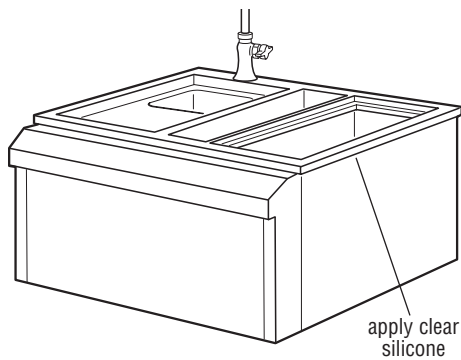


8. Place a small amount of plumbers putty around both the ice bin and sink drain mounting seats.



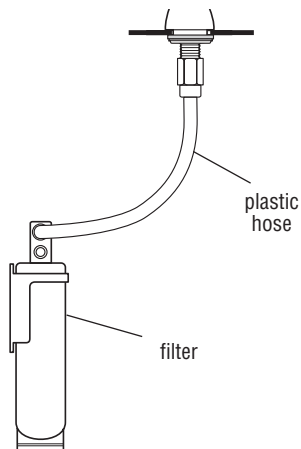
9. Install the 1" (2.5 cm) drain fitting in the ice bin and the 1-1/2" (3.8 cm) drain fitting in the sink. Tighten securely. Remove and discard the excess plumbers putty.

10. Ice bin drain and sink drain fittings to be connected to drain system in accordance with local code requirements.

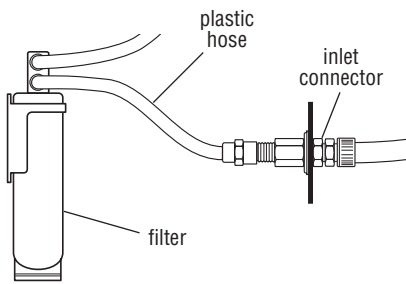


11. Apply a bead of all weather clear silicone on the under side of the back and two sides of the top lip.

12. Carefully position the Bar Cart into the cut out. Immediately remove any excess silicone.



13. Connect the plastic hose from the water filter to the faucet connection and tighten securely.



14. Attach the plastic cold water hose from the water inlet connection to the inlet side of the filter. Use N.S.F. or U.P.C.-listed water connection line for water supply to inlet connector. Potable water supply system to be connected to inlet connector per local code requirements.

15. Unwrap the bottle rail and bottle cap catch pan. Position them over the key-lock studs and slide down to lock in place.

16. Unwrap the sliding cover and place into frame on top of the ice bin.

Installation - Portable model

⚠ WARNING

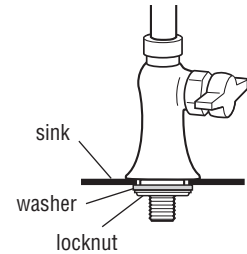
Excessive Weight Hazard
Use two or more people to move and install bar cart.
Failure to do so can result in back or other injury.

Use a certified plumber to connect and install potable water supply and drain system to outdoor bar cart per local code requirements.

1. Make sure you have adequate drain connections for the Bar Cart.

2. Remove the bottle rail, bottle cap catch pan and water filter from the ice bin.

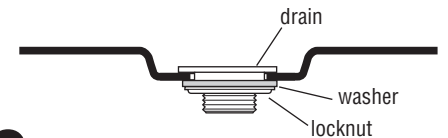
3. Remove the faucet from the sink.



4. Install the faucet and fasten securely.

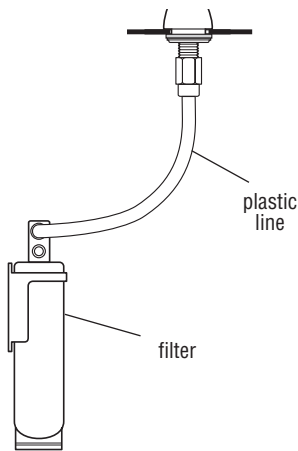


5. Place a small amount of plumbers putty around both the ice bin and sink drain mounting seats.

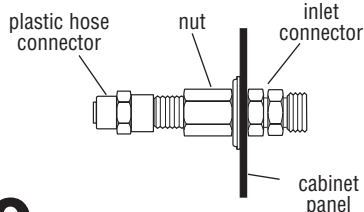


6. Ice bin drain and sink drain fittings to be connected to drain system in accordance with local code requirements.

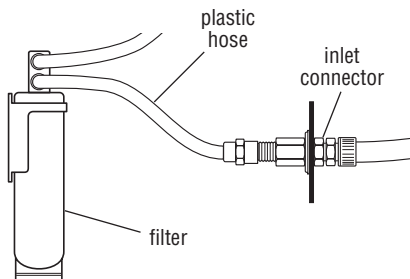
7. Install the 1" (2.5 cm) drain fitting in the ice bin and the 1-1/2" (3.8 cm) drain fitting in the sink. Tighten securely. Remove and discard the excess plumbers putty.



8. Connect the plastic line from the water filter to the faucet connection and tighten securely.



9. Install water inlet connection through hole provided in cabinet rear panel.



10. Attach the plastic cold water hose from the water inlet connection to the inlet side of the filter. Use N.S.F. U.P.C.-listed water connection line for water supply to inlet connector. Potable water supply system to be connected to inlet connector per local code requirements.

11. Unwrap the bottle rail and bottle cap catch pan. Position them over the key-lock studs and slide down to lock in place.

12. Unwrap the sliding cover and place into frame on top of the ice bin.

13. Rotate the side shelves up into their locked position or leave down as needed.

14. Lock the front locking caster wheels when in use.

Taking care of your Bar Cart

Wipe up any water spills on the exterior. Water can cause spots.

Stainless steel surfaces: Use any cleaner acceptable for use on stainless steel. Always rub in the direction of the manufacturer's polishing marks.

Other surfaces: Clean with warm dishwashing soap and water.

Cleaning

General Tips

IMPORTANT: Always follow label instructions on cleaning products.

For routine cleaning, wash with soap and water using a soft cloth or sponge. Rinse with clean water and dry at once with a soft, lint-free cloth to avoid spots and streaks.

Never use steel wool, as it will scratch the surface.

Use of the accessory cover designed for Outdoor Bar Cart will protect finish from weather.

Stainless Steel

IMPORTANT: Do not use soap-filled scouring pads, abrasive cleaners, Cooktop Polishing Creme, steel wool, gritty wash cloths or paper towels.

Cleaners should not contain chlorine. Damage may occur.

Rub in direction of grain to avoid scratching or damaging the surface.

Food spills should be cleaned as soon as possible. Spills may cause permanent discoloration.

- Use Stainless Steel Cleaner & Polish (Part #4396095). See "Requesting

Assistance or Service" on Page 7 to order.

- Use a mild liquid detergent or all-purpose cleaner according to label instructions.
- Rinse with clean water and dry at once with soft, lint-free cloth to avoid spots and streaks.
- Use vinegar to remove hard water spots. Rinse with water and dry thoroughly.
- Use a glass cleaner to remove fingerprints.

Exterior

The quality of this material resists most stains and pitting, providing that the surface is kept clean and protected.

- Apply stainless steel polish to all areas before first use. Re-apply after each cleaning to prevent permanent damage to surface.
- Cleaning should always be followed by rinsing with clean warm water.
- Use a metal polish or stainless steel brightener to remove fingerprints, water spots, oxidation and food stains. Always follow the manufacturer's directions.
- Wipe the surface completely dry with a soft cloth.

Winterization of faucet and drain system

When temperatures are below 35° F for an extended period of time:

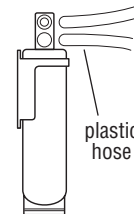
1. Turn off water source to sink.

2. Remove potable water supply system from connection and store appropriately.

3. Remove filter from its connection and store inside in a warm dry area.

4. Disconnect drain traps and 1/4" tubing from the filter connector and allow to drain.

5. Cover bar cart with accessory cover or tarp.



Warranty

KitchenAid® Outdoor Bar Cart Warranty	
LENGTH OF WARRANTY	KitchenAid WILL PAY FOR:
LIMITED ONE-YEAR WARRANTY From Date of Purchase	<p>Factory Specified Parts and Repair Labor to correct defects in material and workmanship (except filters). Service must be provided by a Service Company designated by KitchenAid.</p> <p>This warranty excludes damage to the finish, such as scratches or discoloration, which may occur during regular use.</p>
KitchenAid WILL NOT PAY FOR:	
<p>A. Installation of your KitchenAid Outdoor Bar Cart or damage caused by improper installation or failure to comply with local code requirements</p> <p>B. Shipping, pickup and delivery, removal or re-installation, as your bar cart is designed to be repaired in the home.</p> <p>C. Service calls to:</p> <ol style="list-style-type: none"> 1. Correct the installation of your KitchenAid bar cart. 2. Instruct you how to use your KitchenAid bar cart. 3. Correct house plumbing. 4. Perform normal maintenance, including periodic replacement of seals, fittings, etc. <p>D. Repairs when your bar cart is used in other than normal, single-family household use.</p> <p>E. Damage to your bar cart caused by negligence, accident, misuse, fire, flood, acts of God, or use of products, including cleaning products, not approved by KitchenAid or KitchenAid Canada.</p> <p>F. Repairs to parts or system resulting from unauthorized modifications to your bar cart.</p> <p>G. In Canada, travel or transportation expenses for customers who reside in remote areas.</p> <p>H. Replacement parts or repair labor costs for units operated outside the United States and Canada.</p> <p>I. Deterioration due to normal wear and tear of your bar cart.</p>	

KitchenAid and KitchenAid Canada do not assume any responsibility for Incidental or Consequential Damages. Any implied warranty or merchantability or fitness for a particular purpose is limited in duration to the duration of this warranty. Some states do not allow the exclusion or limitation of incidental or consequential damages, or allow limitations on how long an implied warranty lasts, so these exclusions or limitations may not apply to you. This warranty gives you specific legal rights, and you may also have other rights, which vary, from state to state or province to province.

Outside the United States and Canada, a different warranty may apply. For details, please contact your authorized KitchenAid bar cart dealer.

If you need customer or technical assistance, check the "Requesting Assistance or Service" section or by calling our KitchenAid Customer Interaction Center at 1-800-422-1230, from anywhere in the U.S.A. , and 1-800-807-6777, from anywhere in Canada.

Requesting Assistance or Service

If you need assistance or service in U.S.A.

Call the KitchenAid Customer Interaction Center toll-free at 1-800-235-0665.

Our consultants are available to assist you.

When calling: Please know the purchase date, and the complete model and serial number of your appliance. This information will help us better respond to your request.



Our consultants provide assistance with:

- Features and specifications on our full line of appliances
- Installation information

- Use and maintenance procedures
- Accessory and repair parts sales
- Specialized customer assistance (Spanish speaking, hearing impaired, limited vision, etc.)
- Referrals to local dealers, service companies, and repair parts distributors

KitchenAid designated service technicians are trained to fulfill the product warranty and provide after-warranty service, anywhere in the United States.

To locate the designated KitchenAid service company in your area, you can also look in your telephone directory Yellow Pages.

If you need replacement parts

If you need to order replacement parts, we recommend that you only use factory-authorized parts. These parts will fit right and work right, because they are made to the same exacting specifications used to build every new KitchenAid® appliance.

To locate factory-authorized parts in your area, call our Customer Interaction Center telephone number, your nearest authorized service center, or KitchenAid Factory Service at 1-800-442-1111.

For further assistance

If you need further assistance, you can write to KitchenAid with any questions or concerns at:

KitchenAid Brand Home Appliances
Customer Interaction Center
c/o Correspondence Dept.
2000 North M-63
Benton Harbor, MI 49022-2692

Please include a daytime phone number in your correspondence.

Requesting Assistance or Service

If you need assistance or service in Canada

1. If the problem is not due to one of the items listed in "Check Operation"†...



Contact the dealer from whom you purchased your appliance, or call the KitchenAid Canada Customer Interaction Center toll-free, 8:30 a.m. – 6 p.m. (EST), at 1-800-235-0665.

2. If you need service†...

Contact your nearest KitchenAid Canada Appliance Service branch or authorized servicing outlet to service your appliance. (See list below.) Make sure the service company you contact is authorized to service your appliance during the warranty period.

†When asking for assistance or service, please provide a detailed description of the problem, your appliance's complete model and serial numbers, and the purchase date. This information will help us respond properly to your request.

KitchenAid Canada Appliance Service – Consumer Services

Direct service branches:

BRITISH COLUMBIA		1-800-665-6788
ALBERTA		1-800-661-6291
ONTARIO (except 807 area code)	Ottawa area Outside the Ottawa area	1-800-267-3456 1-800-807-6777
MANITOBA, SASKATCHEWAN and 807 area code in ONTARIO		1-800-665-1683
QUEBEC	Montreal (except South Shore) South Shore Montreal Quebec City Sherbrooke	1-800-361-3032 1-800-361-0950 1-800-463-1523 1-800-567-6966
ATLANTIC PROVINCES		1-800-565-1598

For further assistance

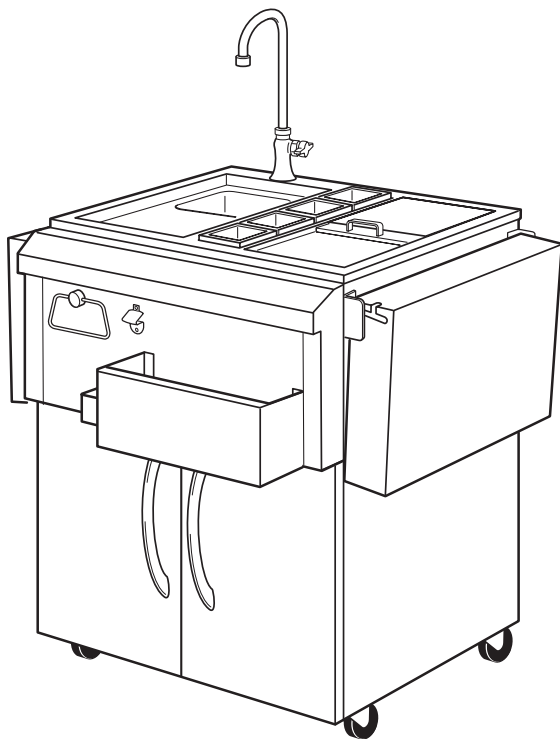
If you need further assistance, you can write to KitchenAid Canada with any questions or concerns at:

Consumer Relations Department
KitchenAid Canada
1901 Minnesota Court
Mississauga, Ontario L5N 3A7

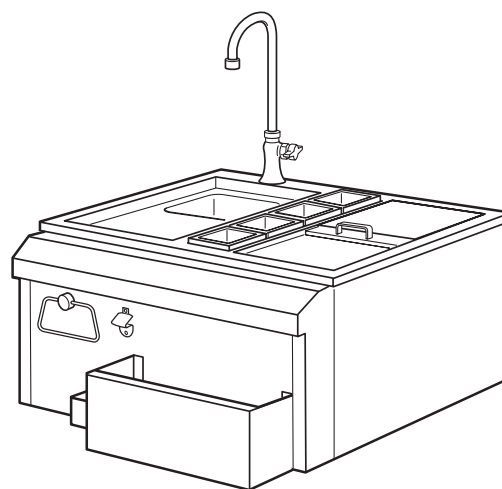
Please include a daytime phone number in your correspondence.

Instructions d'installation et Guide d'utilisation

Bar d'extérieur (Mobile ou stationnaire)



Modèle mobile
KFBP102LSS



Modèle stationnaire
KFBP100LSS

KitchenAid[®]
APPAREILS MÉNAGERS[®]

Pour toute question concernant caractéristiques, pièces, utilisation, performance ou entretien du produit, téléphoner au 1-800-422-1230 ou consulter le site Internet www.kitchenaid.com.

IMPORTANT : Lire et conserver ces instructions.

IMPORTANT :

Installateur : Remettre les instructions d'installation au propriétaire.

Propriétaire : Conserver les instructions d'installation pour consultation ultérieure.

Avant l'installation du produit, prendre note ci-dessous du numéro de modèle et du numéro de série.

On trouve les deux numéros sur la plaque signalétique située sur la face inférieure (angle avant/droit) du produit.

Numéro de modèle : _____

Numéro de série : _____

Pièce n° 8184968 Rév. A

Avant de commencer...

Votre sécurité et celle des autres est très importante.

Nous donnons de nombreux messages de sécurité importants dans ce manuel, et sur votre appareil ménager. Assurez-vous de toujours lire tous les messages de sécurité et de vous y conformer.



Voici le symbole d'alerte de sécurité.

Ce symbole d'alerte de sécurité vous signale les dangers potentiels de décès et de blessures graves à vous et à d'autres.

Tous les messages de sécurité suivront le symbole d'alerte de sécurité et le mot "DANGER" ou "AVERTISSEMENT". Ces mots signifient :

⚠ DANGER

Risque possible de décès ou de blessure grave si vous ne suivez pas immédiatement les instructions.

⚠ AVERTISSEMENT

Risque possible de décès ou de blessure grave si vous ne suivez pas les instructions.

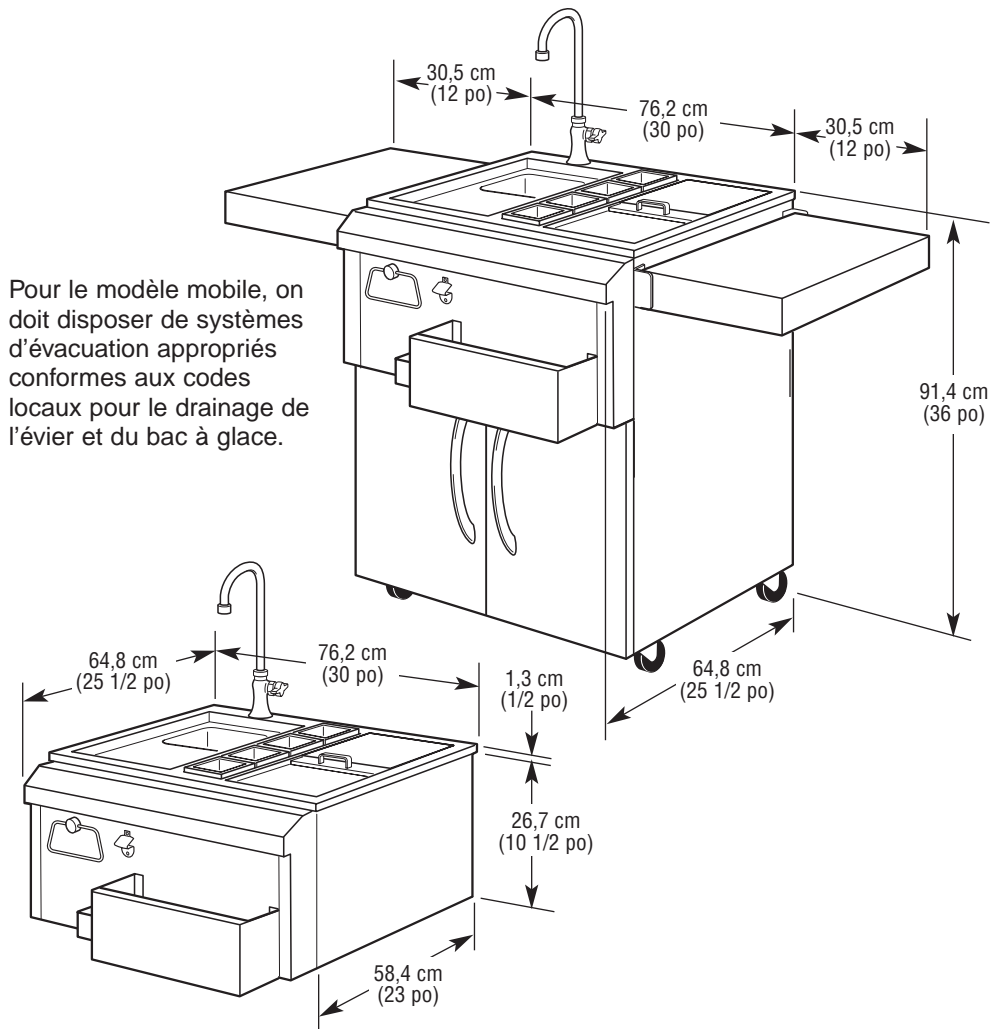
Tous les messages de sécurité vous diront quel est le danger potentiel et vous disent comment réduire le risque de blessure et ce qui peut se produire en cas de non-respect des instructions.

IMPORTANT : Respecter les prescriptions de tous les codes et règlements en vigueur.

C'est au propriétaire du produit qu'incombe la responsabilité d'une installation correcte.

Dimensions du produit

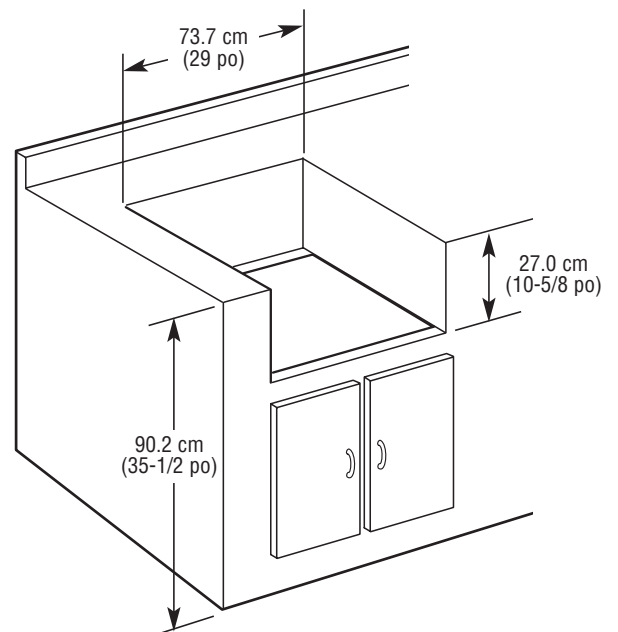
Modèle mobile et modèle stationnaire



Pour le modèle mobile, on doit disposer de systèmes d'évacuation appropriés conformes aux codes locaux pour le drainage de l'évier et du bac à glace.

Dimensions pour l'installation du modèle stationnaire

Prévoir des systèmes d'évacuation adéquats conformes aux codes locaux pour le bac à glace et l'évier. Le filtre et les raccords de vidange/drainage doivent être accessibles.



Composants des modèles stationnaires et mobiles

Étagères latérales pas représentées

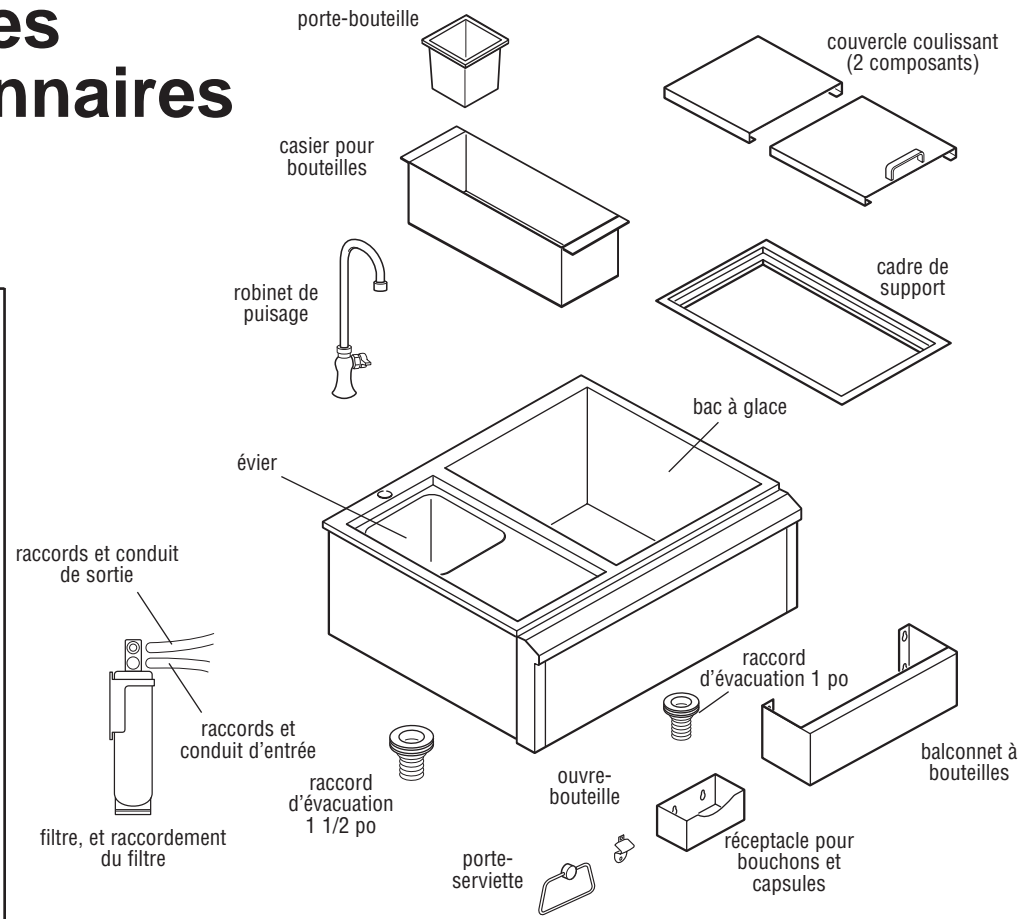
Outils nécessaires :

Rassembler les outils et pièces nécessaires avant de commencer l'installation. Lire et respecter les instructions d'installation fournies avec chacun des outils de cette liste.

- Niveau
- Tournevis Phillips
- mètre-ruban ou règle
- pince articulée
- clé à tuyauterie
- clé à molette

Pièces nécessaires :

- Système d'évacuation 1 1/2 po
- Système d'évacuation 1 po
- Canalisations d'eau (homologation NSF ou CUP)
- Mastic de plomberie
- Calfeutrant aux silicones, transparent



Installation – Modèle stationnaire

⚠ AVERTISSEMENT

Risque du poids excessif

Utiliser deux ou plus de personnes pour déplacer et installer le bar d'extérieur.

Le non-respect de cette instruction peut causer une blessure au dos ou d'autre blessure.

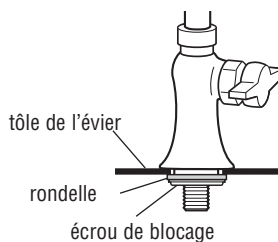
Avoir recours à un plombier agréé pour connecter et installer l'alimentation en eau potable et le système d'évacuation sur le bar d'extérieur selon les exigences des codes locaux en vigueur.

1. Placer le bar d'extérieur sur une surface protégée par une feuille de carton ou une couverture.

2. S'assurer que les connexions de drainage soient bien placées sous le bar d'extérieur, conformément aux codes locaux.

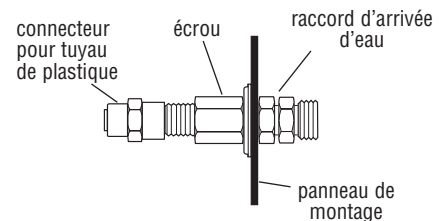
3. Enlever balconnet à bouteilles, réceptacle à capsules et filtre à eau du bac à glace.

4. Retirer de l'évier le robinet.

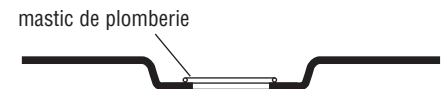


5. Installer le robinet; bien serrer l'écrou de blocage.

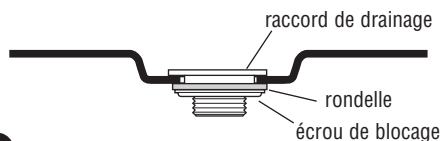
6. Installer le filtre à eau (côté évier/robinet de l'espace d'encastrement). Positionner le filtre de telle manière que le tuyau de plastique connecté au filtre puisse facilement atteindre le point de connexion au robinet.



7. Installer le raccord d'admission d'eau en un endroit pratique sous l'espace d'encastrement. Positionner le raccord d'arrivée d'eau de telle manière que le tuyau de plastique puisse facilement atteindre la connexion d'entrée du filtre.

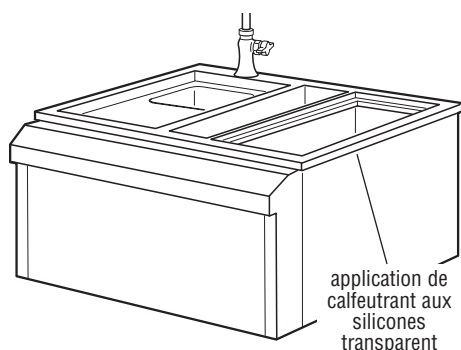


8. Placer une petite quantité de mastic de plomberie sur les sièges de montage des raccords de drainage de l'évier et du bac à glace.



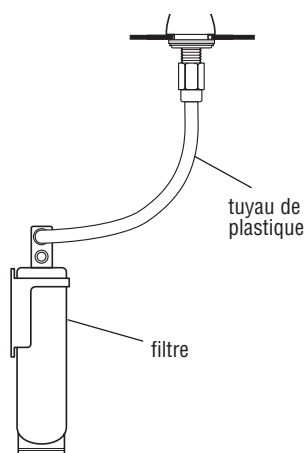
9. Installer le raccord de drainage de 2,5 cm (1 po) sur le bac à glace, et le raccord de drainage de 3,8 cm (1 1/2 po) sur l'évier. Bien serrer chaque écrou de blocage; enlever et jeter l'excès de mastic de plomberie.

10. Les raccords de drainage du bac à glace et de l'évier doivent être connectés au système de drainage conformément aux exigences des codes locaux.

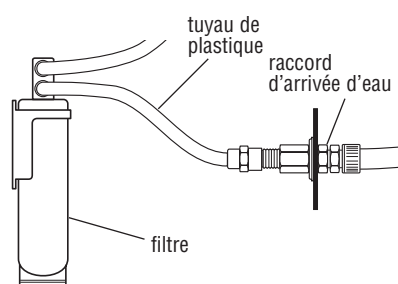


11. Appliquer une coulée de calfeutrant aux silicones transparent sur la face inférieure du rebord périphérique du produit (à l'arrière et sur les deux côtés).

12. Positionner prudemment le bar d'extérieur dans l'espace d'encastrement. Enlever immédiatement tout excès de calfeutrant aux silicones.



13. Raccorder le tuyau de plastique du filtre à eau au robinet de puisage; bien serrer les écrous de blocage.



14. Raccorder le tuyau de plastique d'arrivée d'eau froide entre le raccord d'arrivée d'eau et l'entrée du filtre. Utiliser un tuyau à homologation N.S.F. ou un tuyau de connexion d'eau listé dans le CUP pour l'arrivée d'eau jusqu'au raccord d'arrivée d'eau. Un système d'alimentation en eau potable doit être connecté au raccord d'arrivée d'eau selon les exigences des codes locaux.

15. Débarrer le balconnet à bouteilles et le réceptacle à capsules. Engager ces composants sur les goujons de positionnement; laisser glisser vers le bas pour la mise en place.

16. Débarrer le couvercle coulissant; placer les deux composants sur le cadre au sommet du bac à glace.

Installation – Modèle mobile

⚠ AVERTISSEMENT

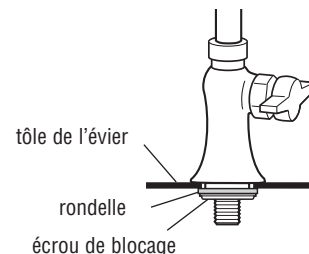
Risque du poids excessif
Utiliser deux ou plus de personnes pour déplacer et installer le bar d'extérieur.
Le non-respect de cette instruction peut causer une blessure au dos ou d'autre blessure.

Avoir recours à un plombier agréé pour connecter et installer l'alimentation en eau potable et le système d'évacuation sur le bar d'extérieur selon les exigences des codes locaux.

1. Veiller à disposer d'un point d'évacuation adéquat pour les conduits de drainage du bar d'extérieur.

2. Enlever balconnet à bouteilles, réceptacle à capsules et filtre à eau du bac à glace.

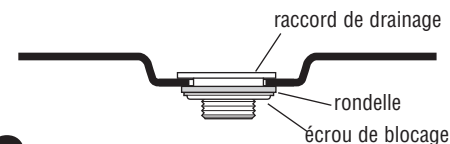
3. Retirer de l'évier le robinet.



4. Installer le robinet; bien serrer l'écrou de blocage.

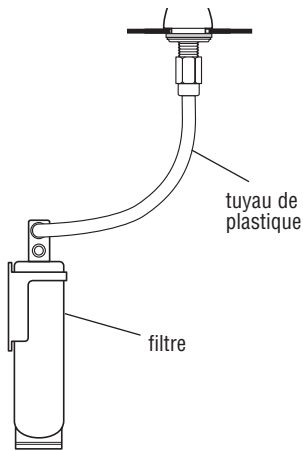


5. Placer une petite quantité de mastic de plomberie sur les sièges de montage des raccords de drainage de l'évier et du bac à glace.

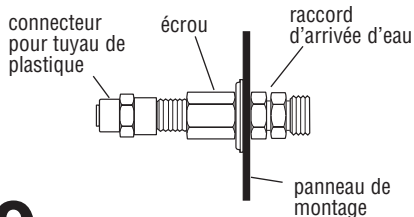


6. Installer le raccord de drainage de 2,5 cm (1 po) sur le bac à glace, et le raccord de drainage de 3,8 cm (1 1/2 po) sur l'évier. Bien serrer chaque écrou de blocage. Enlever et jeter l'excès de mastic de plomberie.

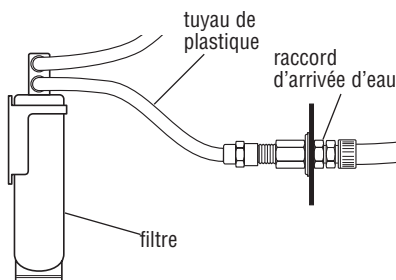
7. Les raccords de drainage du bac à glace et de l'évier doivent être connectés au système de drainage conformément aux exigences des codes locaux.



8. Raccorder le tuyau de plastique du filtre à eau au robinet de puisage; bien serrer les écrous de blocage.



9. Installer le raccord d'admission d'eau dans le trou prévu à cet effet dans le panneau arrière du placard.



10. Raccorder le tuyau de plastique d'arrivée d'eau froide entre le raccord d'arrivée d'eau et l'entrée du filtre. Utiliser un tuyau à homologation N.S.F. ou un tuyau de connexion d'eau listé dans le CUP pour l'arrivée d'eau jusqu'au raccord d'arrivée d'eau. Un système d'alimentation en eau potable doit être connecté au raccord d'arrivée d'eau selon les exigences du code locaux.

11. Déballer le balconnet à bouteilles et le réceptacle à capsules. Engager ces composants sur les goujons de positionnement; laisser glisser le bas pour la mise en place.

12. Déballer le couvercle coulissant; placer les deux composants sur le cadre au sommet du bac à glace.

13. Étagère latérale : relever à la position de blocage ou laisser abaissée, selon le besoin.

14. Bloquer les roulettes pivotantes pendant l'utilisation.

Entretien du bar d'extérieur

Essuyer l'eau renversée sur les surfaces extérieures; l'eau peut laisser des taches.

Surfaces d'acier inoxydable : Employer un produit de nettoyage utilisable sur l'acier inoxydable. Frotter toujours dans la direction des marques de polissage laissées lors de la fabrication.

Autres surfaces : Nettoyer avec de l'eau tiède et un détergent à vaisselle.

Nettoyage

Conseils généraux

IMPORTANT : On doit toujours respecter les instructions du mode d'emploi du produit de nettoyage.

Pour le nettoyage de routine, laver avec du savon et de l'eau, avec une éponge ou un linge doux. Rincer avec de l'eau propre et sécher immédiatement avec un linge doux sans peluches pour éviter la formation de taches et traînées.

Ne jamais utiliser de la laine d'acier, ce qui laisserait des éraflures sur la surface.

L'utilisation de la housse de protection du bar d'extérieur (accessoire) protégera la finition contre les intempéries.

Acier inoxydable

IMPORTANT : Ne pas utiliser tampon de récurage savonneux, produit de nettoyage abrasif, crème de polissage de table de cuisson, laine d'acier, lavette abrasive ou essuie-tout en papier.

Ne pas utiliser un produit de nettoyage contenant du chlore, ce qui endommagerait le matériau.

Frotter dans la direction du grain pour éviter d'égratigner ou d'endommager la surface.

Nettoyer les renversements de produit alimentaire dès que possible. Les produits alimentaires renversés peuvent laisser des taches indélébiles.

- Utiliser le produit de polissage nettoyant pour acier inoxydable (pièce n° 4396095). Pour la commande, voir "Demande d'assistance ou de service", page 7.
- Utiliser un détergent liquide doux ou un produit de nettoyage polyvalent en suivant les instructions fournies avec le produit.
- Rincer avec de l'eau propre puis sécher immédiatement avec un linge doux sans peluches pour éviter de laisser des marques et des taches.
- Utiliser du vinaigre pour éliminer les taches laissées par de l'eau dure. Rincer avec de l'eau et bien sécher.
- Utiliser un produit de nettoyage du verre pour éliminer les traces de doigt.

Extérieur

Ce matériau de qualité peut résister à la plupart des produits susceptibles de former des taches ou de corroder d'autres matériaux, sous réserve que la surface soit maintenue propre et protégée.

- Avant la première utilisation, appliquer un produit de polissage de l'acier inoxydable partout. Effectuer une autre application après chaque opération de nettoyage, pour éviter que la surface subisse des dommages irréversibles.
- Chaque nettoyage devrait être suivi d'un rinçage avec de l'eau tiède propre.
- Pour faire disparaître les traces de doigt, les taches laissées par l'eau, les taches d'oxydation et les taches de produits alimentaires, utiliser un produit de polissage des métaux ou d'éclaircissement de l'acier inoxydable. Toujours respecter les instructions du fabricant du produit.
- Pour le séchage, essuyer complètement la surface avec un linge doux.

Protection contre le gel

Lorsque la température peut s'abaisser au-dessous de 0°C (35°F) pendant une période prolongée :

1. Fermer la source d'alimentation d'eau de l'évier.

2. Déconnecter le système d'alimentation en eau potable et le remettre adéquatement.

3. Déconnecter le filtre; le remettre à l'intérieur dans un endroit sec et chauffé.

4. Déconnecter les siphons et le tube de 1/4 po du connecteur de filtre; drainer complètement l'eau.



5. Recouvrir le bar d'extérieur avec la housse ou une bâche.

Garantie

Bar d'extérieur KitchenAid® – Garantie	
DURÉE DE LA GARANTIE	KitchenAid PAIERA POUR :
GARANTIE LIMITÉE DE UN AN À compter de la date d'achat	Pièces spécifiées par l'usine et main-d'œuvre d'intervention pour l'élimination des vices de matériau et de fabrication (à l'exception des filtres). Le travail doit être exécuté par une entreprise de service après-vente agréée par KitchenAid. Cette garantie ne couvre pas les détériorations de la finition, comme éraflures ou changements de couleur, qui peuvent survenir dans le cadre de l'utilisation régulière.
KitchenAid NE PAIERA PAS POUR :	
A. Installation du bar d'extérieur KitchenAid ou réparation de dommages imputables à une installation incorrecte, ou au non-respect des exigences des codes locaux.	
B. Expédition, livraison, dépose et réinstallation du bar d'extérieur – le bar d'extérieur est conçu pour être réparé à domicile.	
C. Intervention pour : 1. Correction de l'installation du bar d'extérieur KitchenAid. 2. Instruction de l'utilisateur pour l'utilisation du bar d'extérieur KitchenAid. 3. Correction de la plomberie de la résidence. 4. Travaux d'entretien de routine, ceci incluant le remplacement périodique de joints, raccords, etc.	
D. Réparations, lorsque le bar d'extérieur est utilisé autrement que dans le cadre du service normal d'une résidence unifamiliale.	
E. Dommages imputables à une négligence, un accident, un emploi impropre, un incendie, une inondation, un désastre naturel, ou l'utilisation d'un produit non approuvé par KitchenAid ou KitchenAid Canada.	
F. Réparations sur des composants ou l'ensemble, imputables à une modification non autorisée de l'appareil.	
G. Au Canada, frais de déplacement ou de transport lorsque le client réside en un lieu éloigné.	
H. Pièces de rechange et frais de réparation pour un appareil utilisé hors des États-Unis ou du Canada.	
I. Détériorations imputables à l'usure normale du bar d'extérieur.	

KitchenAid et KitchenAid Canada déclinent toute responsabilité au titre de dommages secondaires ou indirects. Toute garantie implicite de qualité marchande ou d'aptitude du produit pour une application particulière est limitée dans le temps à la durée de validité de cette garantie. Certains états ou certaines provinces ne permettent pas l'exclusion ou la limitation des dommages secondaires ou indirects, ou la limitation de la durée de validité des garanties implicites; par conséquent ces exclusions ou limitations peuvent ne pas vous être applicables. Cette garantie vous confère des droits juridiques spécifiques; vous pouvez également jouir d'autres droits, variables d'un état à un autre ou d'une province à une autre.

Hors des États-Unis et du Canada, l'appareil peut être couvert par une garantie différente. Pour les détails, contacter le revendeur agréé du bar d'extérieur KitchenAid.

Pour obtenir une assistance particulière ou technique, consulter la section "Demande d'assistance ou de service" ou appeler le centre d'interaction avec la clientèle KitchenAid au 1-800-422-1230, de n'importe où aux É.-U., et au 1-800-807-6777, de n'importe où au Canada.

Demande d'assistance ou de service

Si vous avez besoin d'assistance ou de service aux É.-U.

Contactez le centre d'interaction avec la clientèle KitchenAid sans frais au 1-800-235-0665.

Nos consultants sont prêts à vous aider.

Lors d'un appel, veuillez connaître la date d'achat et les numéros de modèle et de série au complet de votre appareil. Ces renseignements nous aideront à mieux répondre à votre demande.



Nos consultants vous renseigneront sur les sujets suivants :

- Caractéristiques et spécifications de notre gamme complète d'appareils électroménagers
- Renseignements sur l'installation

- Méthodes d'utilisation et d'entretien
- Vente de pièces de rechange et d'accessoires
- Assistance spécialisée à la clientèle (langue espagnole, malentendants, malvoyants, etc.)
- Coordonnées des revendeurs, compagnies de service et distributeurs locaux de pièces de rechange

Les techniciens de service désignés par KitchenAid ont reçu une formation qui leur permet d'effectuer les travaux de réparation sous garantie et le service après-garantie partout aux États-Unis.

Vous pouvez également consulter les Pages jaunes de l'annuaire téléphonique pour identifier une compagnie de service agréée KitchenAid dans votre région.

Si vous avez besoin de pièces de rechange

Si vous devez commander des pièces de rechange, nous vous recommandons d'utiliser seulement les pièces de rechange d'origine. Ces pièces de rechange fonctionneront bien parce qu'elles sont fabriquées selon les mêmes spécifications précises appliquées lors de la fabrication de chaque nouvel appareil ménager KitchenAid®.

Pour localiser des pièces de rechange d'origine dans votre région, appeler notre centre d'interaction avec la clientèle, le centre de service agréé le plus proche, ou contacter le département de service après-vente de KitchenAid au 1-800-442-1111.

Pour plus d'assistance

Si vous avez besoin de plus d'assistance, vous pouvez nous écrire en soumettant toute question ou tout problème à :

KitchenAid Brand Home Appliances
Customer Interaction Center
c/o Correspondence Dept.
2000 North M-63
Benton Harbor, MI 49022-2692

Veuillez indiquer dans votre correspondance un numéro de téléphone où l'on peut vous joindre durant la journée.

Demande d'assistance ou de service

Si vous avez besoin d'assistance ou de service au Canada

1. Si le problème n'est pas attribuable à l'une des causes indiquées dans "Dépannage/contrôle du fonctionnement" †...



Contactez le commerçant qui a vendu l'appareil électroménager, ou téléphoner sans frais au Centre d'interaction avec la clientèle de KitchenAid Canada, de 8 h 30 à 18 h 00 (HNE), au 1-800-235-0665.

2. Si vous avez besoin de service†...

Contactez la succursale ou l'établissement de service agréé de KitchenAid Canada le plus proche (voir la liste ci-dessous). S'assurer que l'établissement de service contacté est autorisé à réparer votre appareil ménager durant la période de garantie.

†Lorsque vous demandez de l'assistance ou une intervention, veuillez fournir une description détaillée du problème, les numéros de modèle et de série de l'appareil au complet, et la date d'achat. Ces renseignements nous aideront à mieux répondre à votre demande.

Service pour les appareils KitchenAid Canada – Service à la clientèle

Succursales "service en direct" :

COLOMBIE-BRITANNIQUE		1-800-665-6788
ALBERTA		1-800-661-6291
ONTARIO (à l'exception de l'indicatif régional 807)	Région d'Ottawa En dehors de la région d'Ottawa	1-800-267-3456 1-800-807-6777
MANITOBA, SASKATCHEWAN et indicatif régional 807 en Ontario		1-800-665-1683
QUÉBEC	Montréal (à l'exception de la Rive Sud) Montréal - Rive Sud Québec Sherbrooke	1-800-361-3032 1-800-361-0950 1-800-463-1523 1-800-567-6966
PROVINCES DE L'ATLANTIQUE		1-800-565-1598

Pour plus d'assistance

Si vous avez besoin de plus d'assistance, vous pouvez nous écrire en soumettant toute question ou tout problème à

Service des relations avec la clientèle
KitchenAid Canada
1901 Minnesota Court
Mississauga, Ontario L5N 3A7

Veuillez indiquer dans votre correspondance un numéro de téléphone où l'on peut vous joindre dans la journée.

Free Manuals Download Website

<http://myh66.com>

<http://usermanuals.us>

<http://www.somanuals.com>

<http://www.4manuals.cc>

<http://www.manual-lib.com>

<http://www.404manual.com>

<http://www.luxmanual.com>

<http://aubethermostatmanual.com>

Golf course search by state

<http://golfingnear.com>

Email search by domain

<http://emailbydomain.com>

Auto manuals search

<http://auto.somanuals.com>

TV manuals search

<http://tv.somanuals.com>