

KitchenAid®

FREESTANDING AND BUILT-IN OUTDOOR REFRESHMENT CENTER

Installation Instructions and Use & Care Guide

For questions about features, operation/performance, parts, accessories or service, call: **1-800-422-1230**
or visit our website at www.kitchenaid.com

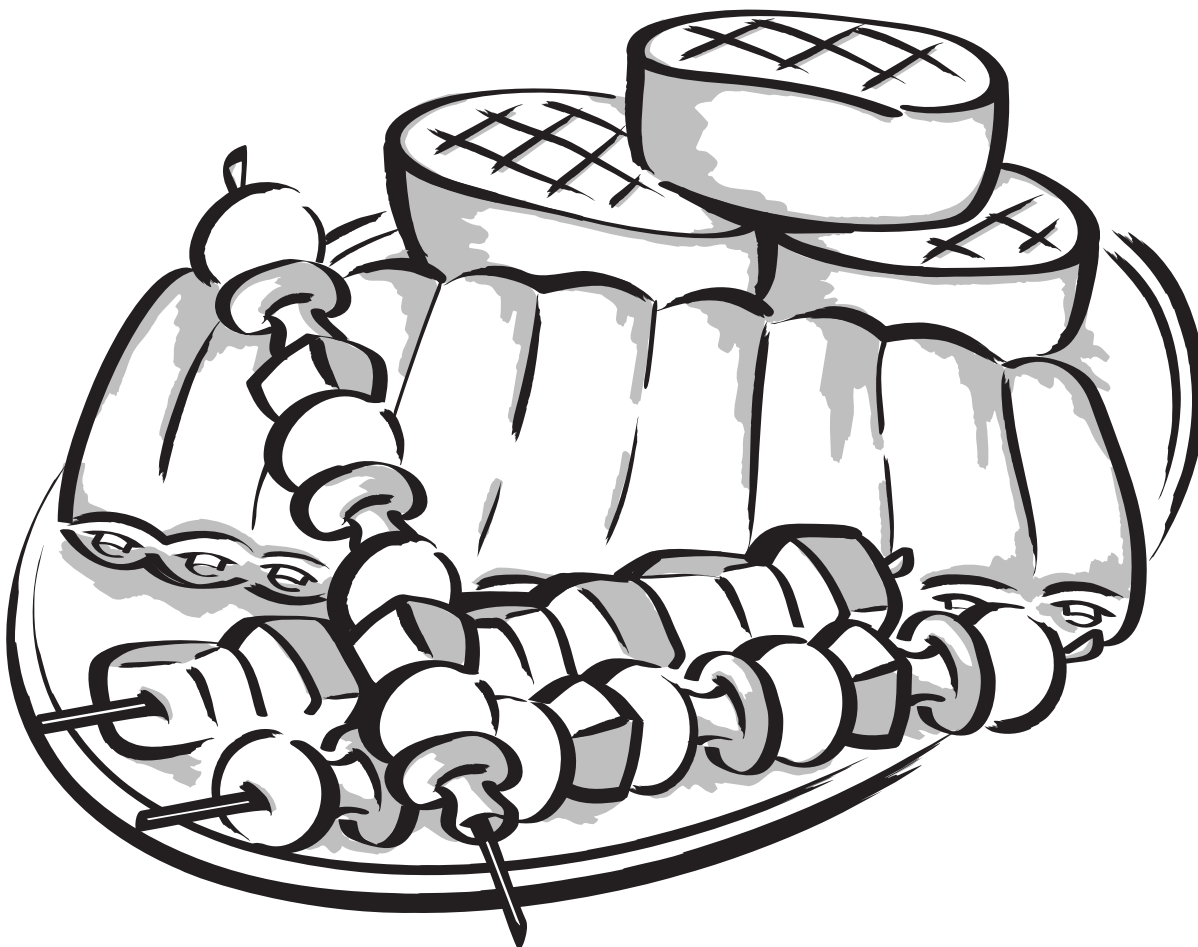
In Canada, for assistance, installation and service, call: **1-800-807-6777**
or visit our website at www.KitchenAid.ca

COMPTOIR POUR RAFRAÎCHISSEMENTS D'EXTÉRIEUR - AUTOPORTANT ET ENCASTRÉ

Instructions d'installation et Guide d'utilisation et d'entretien

Au Canada, pour assistance, installation ou service composez le **1-800-807-6777** ou visitez notre site web à...
www.KitchenAid.ca

Table of Contents/Table des matières..... 2



Models/Modèles KFFU271 KBFU271
W10110733

TABLE OF CONTENTS

OUTDOOR REFRESHMENT CENTER SAFETY	2
INSTALLATION REQUIREMENTS	3
Tools and Parts	3
Location Requirements	3
INSTALLATION INSTRUCTIONS	4
Built-In Refreshment Center	4
Freestanding Refreshment Center.....	5
REFRESHMENT CENTER CARE	6
General Cleaning.....	6
ASSISTANCE OR SERVICE	7
In the U.S.A.	7
Accessories	7
In Canada	7
WARRANTY	8

TABLE DES MATIÈRES

SÉCURITÉ COMPTOIR POUR RAFRÂCHISSEMENTS D'EXTÉRIEUR	9
EXIGENCES D'INSTALLATION	10
Outillage et pièces	10
Exigences d'emplacement.....	10
INSTRUCTIONS D'INSTALLATION	11
Comptoir pour rafraîchissements encastré	11
Comptoir pour rafraîchissements autoportant	12
ENTRETIEN DU COMPTOIR POUR RAFRÂCHISSEMENTS	13
Nettoyage général	13
ASSISTANCE OU SERVICE	14
Accessoires	14
GARANTIE	14

OUTDOOR REFRESHMENT CENTER SAFETY

Your safety and the safety of others are very important.

We have provided many important safety messages in this manual and on your appliance. Always read and obey all safety messages.



This is the safety alert symbol.

This symbol alerts you to potential hazards that can kill or hurt you and others.

All safety messages will follow the safety alert symbol and either the word "DANGER" or "WARNING."

These words mean:

⚠ DANGER

You can be killed or seriously injured if you don't immediately follow instructions.

⚠ WARNING

You can be killed or seriously injured if you don't follow instructions.

All safety messages will tell you what the potential hazard is, tell you how to reduce the chance of injury, and tell you what can happen if the instructions are not followed.

INSTALLATION REQUIREMENTS

Tools and Parts

Gather the required tools and parts before starting installation. Read and follow the instructions provided with any tools listed here.

Tools needed

- Level
- Phillips screwdriver
- Tape measure
- Slip-joint pliers
- Pipe wrench
- Adjustable wrench

Parts needed

- NSF or UPC listed water connection lines
- All weather clear silicone

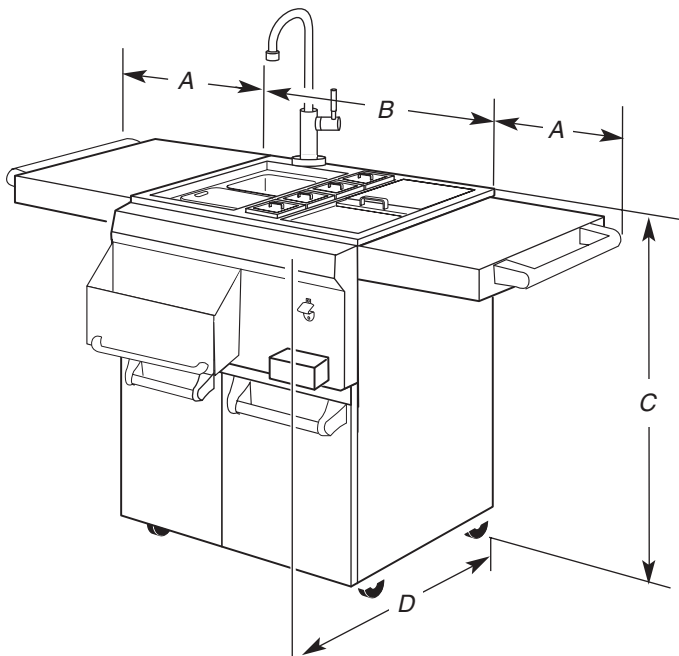
Location Requirements

IMPORTANT: Observe all governing codes and ordinances.

Product Dimensions

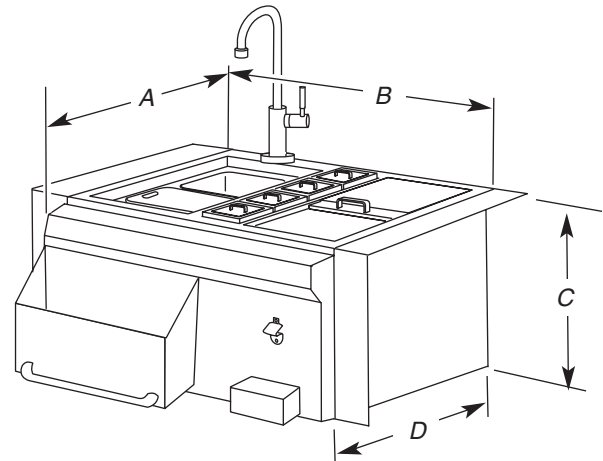
Freestanding Models

The freestanding model must have suitable drain systems in accordance with local codes for the ice bin and sink drains.



- A. $17\frac{1}{4}$ " (43.8 cm)
- B. 30" (76.2 cm)
- C. $36\frac{7}{8}$ " (93.7 cm)
- D. $26\frac{3}{8}$ " (67.0 cm)

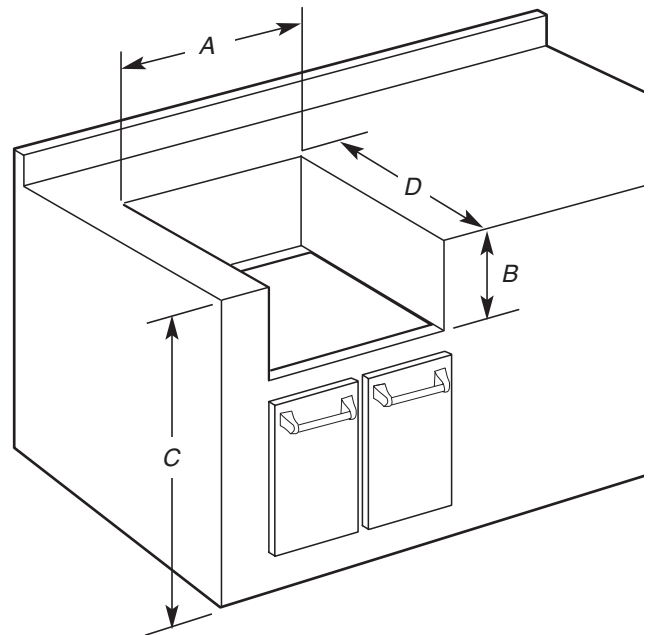
Built-In Models



- A. $26\frac{3}{8}$ " (67.0 cm)
- B. 30" (76.2 cm)
- C. 10" (25.4 cm)
- D. $22\frac{3}{4}$ " (57.8 cm)

Cabinet Dimensions (for built-in model)

Provide suitable drain systems in accordance with local codes for ice bin and sink drains. The drains and filter must be accessible.



- A. $30\frac{1}{2}$ " (77.5 cm)
- B. $10\frac{3}{4}$ " (27.3 cm)
- C. $35\frac{1}{2}$ " (90.2 cm) min.
- D. 23" (58.4 cm)

INSTALLATION INSTRUCTIONS

Built-In Refreshment Center

⚠ WARNING

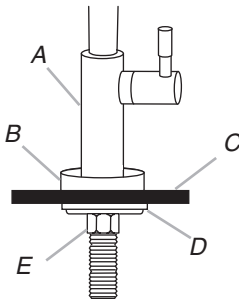
Excessive Weight Hazard

Use two or more people to move and install refreshment center.

Failure to do so can result in back or other injury.

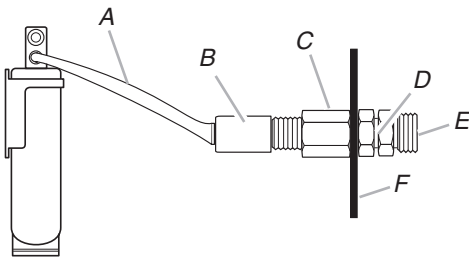
Use a certified plumber to connect and install potable water supply and drain system to outdoor refreshment center according to local code requirements.

1. Using two or more people, set the refreshment center on a covered surface.
2. Check that you have the drain connections, in accordance with local codes, under the refreshment center.
3. Remove the faucet from the ice bin.
4. Install the faucet and fasten securely.



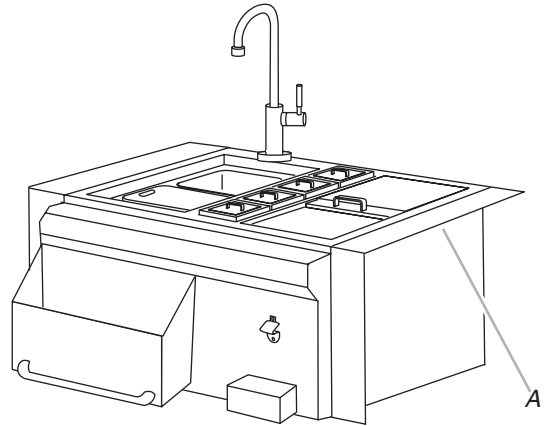
- A. Faucet
- B. Brass escutcheon with "O" ring
- C. Sink
- D. Plastic washer
- E. Locking nut

5. Install water inlet connection in a convenient location under the cutout. Position the water inlet connection so that the plastic hose easily reaches the filter inlet connection.



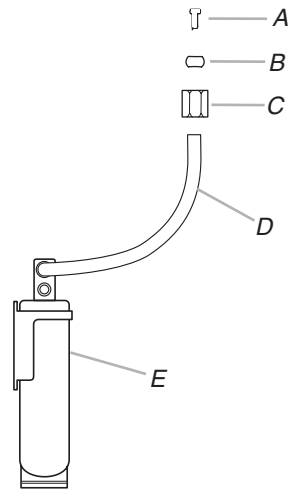
- A. Tubing from water filter (inlet)
- B. Hose connector
- C. Hose connector nut
- D. Brass locking nut
- E. Inlet connector
- F. Exterior side of mounting panel

6. Ice bin drain and sink drain fittings to be connected to drain system in accordance with local code requirements.



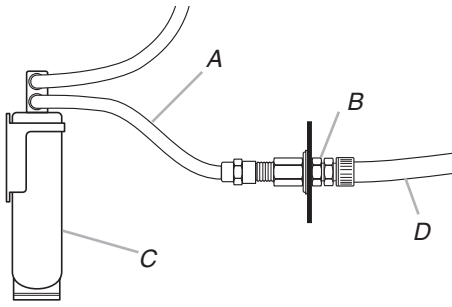
A. Underside of mounting trim

7. Apply a bead of all weather clear silicone on the under side of the two sides of mounting trim.
8. Using two or more people, place the refreshment center into the cutout. Immediately remove any excess silicone.
9. Connect the plastic hose from the water filter to the faucet connection and securely tighten.



- A. Plastic tube insert
- B. Plastic ferrule
- C. Compression nut
- D. Plastic hose
- E. Filter

10. Attach the plastic cold water hose from the water inlet connection to the inlet side of the filter. Use NSF or UPC listed water connection line for water supply to inlet connector. Potable water supply system must be connected to inlet connector according to local code requirements.



A. Plastic hose
B. Inlet connector
C. Filter
D. NSF or UPC listed water supply line or hose

11. Unwrap the sliding cover and place into frame on top of the ice bin.

Freestanding Refreshment Center

! WARNING

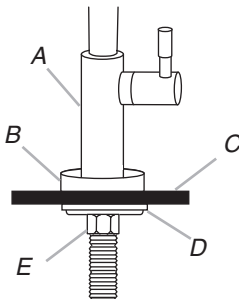
Excessive Weight Hazard

Use two or more people to move and install refreshment center.

Failure to do so can result in back or other injury.

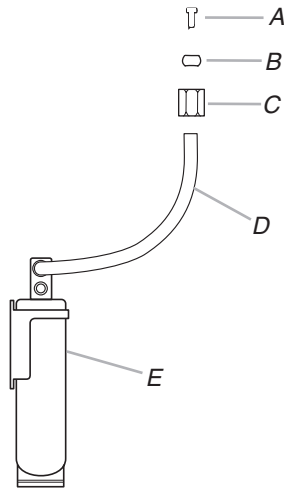
Use a certified plumber to connect and install potable water supply and drain system to outdoor refreshment center according to local code requirements.

1. Check that you have adequate drain connections for the refreshment center.
2. Remove the faucet from the ice bin.
3. Install the faucet and securely fasten.



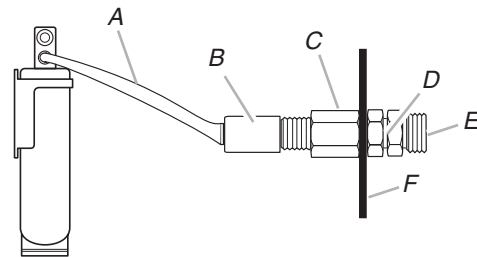
A. Faucet
B. Brass escutcheon with "O" ring
C. Sink
D. Plastic washer
E. Locking nut

4. Connect the plastic line from the water filter to the faucet connection and securely tighten.



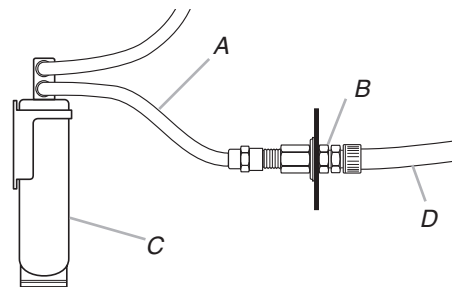
A. Plastic tube insert
B. Plastic ferrule
C. Compression nut
D. Plastic hose
E. Filter

5. Install water inlet connection through hole provided in cabinet rear panel.



A. Tubing from water filter (inlet)
B. Hose connector
C. Hose connector nut
D. Brass locking nut
E. Inlet connector
F. Exterior side of mounting panel

6. Attach the plastic cold water hose from the water inlet connection to the inlet side of the filter. Use NSF or UPC listed water connection line for water supply to inlet connector. Potable water supply system must be connected to inlet connector according to local code requirements.



A. Plastic hose
B. Inlet connector
C. Filter
D. NSF or UPC listed water supply line or hose

7. Unwrap the sliding cover and place into frame on top of the ice bin.
8. Rotate the side shelves up into their locked position or leave down as needed.
9. Lock the front locking caster wheels to keep refreshment center from moving.

REFRESHMENT CENTER CARE

General Cleaning

IMPORTANT: Always follow label instructions on cleaning products.

Soap, water and a soft cloth or sponge are suggested first unless otherwise noted.

To avoid weather damage use the accessory cover designed for the Outdoor Refreshment Center.

STAINLESS STEEL

Cleaning Method:

Rub in direction of grain to avoid damaging stainless steel surface.

- Food spills should be cleaned as soon as possible. Spills may cause permanent discoloration. Use stainless steel cleaner and polish to clean spills.

KitchenAid® Stainless Steel Cleaner and Polish Part Number 4396920 (not included) or KitchenAid® Stainless Steel Wipes Part Number 8212510 (not included):

See "Assistance or Service" section to order.

- Liquid detergent or all-purpose cleaner:
Rinse with clean water and dry with soft, lint-free cloth.
- Vinegar for hard water spots
- Use a glass cleaner to remove fingerprints.

To avoid damage to stainless steel surfaces, do not use soap-filled scouring pads, abrasive cleaners, cleaners containing chlorine, Cooktop Polishing Creme, steel-wool pads, gritty washcloths or some paper towels.

REFRESHMENT CENTER WATER FILTER

- Filter should be replaced every 6 to 12 months.
To remove filter, turn filter counterclockwise ¼ turn and remove.
To install filter, push in new cartridge and turn clockwise.

REFRESHMENT CENTER EXTERIOR

The quality of this material resists most stains and pitting, providing that the surface is kept clean and protected.

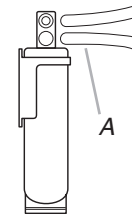
Cleaning Method:

- Apply stainless steel polish to all areas before first use. Apply after each cleaning to avoid damage refreshment center exterior surface.
- Cleaning should always be followed by rinsing with clean, warm water.
- Use a metal polish or stainless steel brightener to remove fingerprints, water spots, oxidation, and food stains. Always follow the manufacturer's directions.
- Wipe the surface completely dry with a soft cloth.

Winterization of faucet and drain system

When temperatures are below 35°F (1.7°C) for an extended period of time:

1. Turn off water source to sink.
2. Remove potable water supply system from connection and store it appropriately.
3. Remove filter from its connection and store filter inside in a warm dry area.
4. Disconnect ice bin and sink drain and ¼" (6.4 mm) tubing from the filter connector and allow to drain.



A. Plastic hose

5. Cover refreshment center with accessory cover or tarpaulin.

ASSISTANCE OR SERVICE

Before calling for assistance or service, please check "Troubleshooting." It may save you the cost of a service call. If you still need help, follow the instructions below.

When calling, please know the purchase date and the complete model and serial number of your appliance. This information will help us to better respond to your request.

If you need replacement parts

If you need to order replacement parts, we recommend that you use only factory specified parts. These factory specified parts will fit right and work right because they are made with the same precision used to build every new KITCHENAID® appliance.

To locate factory specified parts in your area, call us or your nearest KitchenAid designated service center.

In the U.S.A.

Call the KitchenAid Customer eXperience Center toll free: **1-800-422-1230**.

Our consultants provide assistance with:

- Features and specifications on our full line of appliances.
- Installation information.
- Use and maintenance procedures.
- Accessory and repair parts sales.
- Specialized customer assistance (Spanish speaking, hearing impaired, limited vision, etc.).
- Referrals to local dealers, repair parts distributors and service companies. KitchenAid designated service technicians are trained to fulfill the product warranty and provide after-warranty service, anywhere in the United States.

To locate the KitchenAid designated service company in your area, you can also look in your telephone directory Yellow Pages.

For further assistance

If you need further assistance, you can write to KitchenAid with any questions or concerns at:

KitchenAid Brand Home Appliances
Customer eXperience Center
553 Benson Road
Benton Harbor, MI 49022-2692

Please include a daytime phone number in your correspondence.

Accessories

Water Filter

Order Part Number NL-300

KitchenAid® Stainless Steel Cleaner and Polish

Order Part Number 4396920

Vinyl Cover for Outdoor Freestanding Refreshment Center

Order Part Number 8212707

Vinyl Cover for Outdoor Built-In Refreshment Center

Order Part Number 8212708

In Canada

Call the KitchenAid Canada Customer Interaction Centre toll free: **1-800-807-6777**.

Our consultants provide assistance with:

- Features and specifications on our full line of appliances.
- Use and maintenance procedures.
- Accessory and repair parts sales.
- Referrals to local dealers, repair parts distributors and service companies. KitchenAid Canada designated service technicians are trained to fulfill the product warranty and provide after-warranty service, anywhere in Canada.

For further assistance

If you need further assistance, you can write to KitchenAid Canada with any questions or concerns at:

Customer Interaction Centre
KitchenAid Canada
1901 Minnesota Court
Mississauga, Ontario L5N 3A7

Please include a daytime phone number in your correspondence.

KITCHENAID® OUTDOOR PRODUCT WARRANTY

ONE YEAR LIMITED WARRANTY

For one year from the date of purchase, when this outdoor product is operated and maintained according to instructions attached to or furnished with the product, KitchenAid will pay for factory specified parts and repair labor to correct defects in materials or workmanship. Service must be provided by a KitchenAid designated service company.

SECOND THROUGH FIFTH YEAR LIMITED WARRANTY ON PARTS ON GRILLS ONLY

In the second through fifth years from the date of purchase when this grill is operated and maintained according to instructions attached to or furnished with the product, KitchenAid will pay for factory specified parts to correct defects in materials or workmanship.

LIFETIME LIMITED WARRANTY ON STAINLESS STEEL COMPONENTS ON GRILLS ONLY

For the life of the product, when this grill is operated and maintained according to instructions attached to or furnished with the product, KitchenAid will pay for replacement of the stainless steel body housing due to defective materials or workmanship. For the life of the product, when this grill is operated and maintained according to instructions attached to or furnished with the product, KitchenAid will pay for replacement parts for the stainless steel grill burners.

ITEMS KITCHENAID WILL NOT PAY FOR

1. Service calls to correct the installation of your outdoor product, to instruct you how to use your outdoor product, to replace or repair house fuses or to correct house wiring or plumbing.
 2. Damages to the finish, such as scratches or discoloration that may occur during normal use.
 3. Repairs when your outdoor product is used for other than normal, single-family household use.
 4. Damage resulting from accident, alteration, misuse, abuse, fire, flood, acts of God, improper installation, installation not in accordance with electrical or plumbing codes, or use of products not approved by KitchenAid.
 5. Conversion kit or service call for the conversion of your outdoor product from natural gas to L.P./propane or from L.P./propane to natural gas.
 6. Replacement parts or repair labor costs for outdoor product operated outside the United States and Canada.
 7. Pickup and delivery. This outdoor product is designed to be repaired in the home.
 8. Repairs to parts or systems resulting from unauthorized modifications made to the outdoor product.
 9. Expenses for travel and transportation for product service in remote locations.
 10. The removal and reinstallation of your outdoor product if it is installed in an inaccessible location or is not installed in accordance with published installation instructions.
 11. Any labor costs after the first year.
 12. Damage resulting from normal wear and tear of your outdoor product.
-

DISCLAIMER OF IMPLIED WARRANTIES; LIMITATION OF REMEDIES

CUSTOMER'S SOLE AND EXCLUSIVE REMEDY UNDER THIS LIMITED WARRANTY SHALL BE PRODUCT REPAIR AS PROVIDED HEREIN. IMPLIED WARRANTIES, INCLUDING WARRANTIES OF MERCHANTABILITY OR FITNESS FOR A PARTICULAR PURPOSE, ARE LIMITED TO ONE YEAR OR THE SHORTEST PERIOD ALLOWED BY LAW. KITCHENAID SHALL NOT BE LIABLE FOR INCIDENTAL OR CONSEQUENTIAL DAMAGES. SOME STATES AND PROVINCES DO NOT ALLOW THE EXCLUSION OR LIMITATION OF INCIDENTAL OR CONSEQUENTIAL DAMAGES, OR LIMITATIONS ON THE DURATION OF IMPLIED WARRANTIES OF MERCHANTABILITY OR FITNESS, SO THESE EXCLUSIONS OR LIMITATIONS MAY NOT APPLY TO YOU. THIS WARRANTY GIVES YOU SPECIFIC LEGAL RIGHTS AND YOU MAY ALSO HAVE OTHER RIGHTS, WHICH VARY FROM STATE TO STATE OR PROVINCE TO PROVINCE.

Outside the 50 United States and Canada, this warranty does not apply. Contact your authorized KitchenAid dealer to determine if another warranty applies.

If you need service, first see the "Troubleshooting" section of the Use & Care Guide. After checking "Troubleshooting," additional help can be found by checking the "Assistance or Service" section or by calling KitchenAid. In the U.S.A., call **1-800-422-1230**. In Canada, call **1-800-807-6777**.

11/06

Keep this book and your sales slip together for future reference. You must provide proof of purchase or installation date for in-warranty service.

Write down the following information about your major appliance to better help you obtain assistance or service if you ever need it. You will need to know your complete model number and serial number. You can find this information on the model and serial number label located on the product.

Dealer name _____

Address _____

Phone number _____

Model number _____

Serial number _____

Purchase date _____

SÉCURITÉ COMPTOIR POUR RAFRAÎCHISSEMENTS D'EXTÉRIEUR

Votre sécurité et celle des autres est très importante.

Nous donnons de nombreux messages de sécurité importants dans ce manuel et sur votre appareil ménager. Assurez-vous de toujours lire tous les messages de sécurité et de vous y conformer.



Voici le symbole d'alerte de sécurité.

Ce symbole d'alerte de sécurité vous signale les dangers potentiels de décès et de blessures graves à vous et à d'autres.

Tous les messages de sécurité suivront le symbole d'alerte de sécurité et le mot "DANGER" ou "AVERTISSEMENT". Ces mots signifient :

⚠ DANGER

Risque possible de décès ou de blessure grave si vous ne suivez pas immédiatement les instructions.

⚠ AVERTISSEMENT

Risque possible de décès ou de blessure grave si vous ne suivez pas les instructions.

Tous les messages de sécurité vous diront quel est le danger potentiel et vous disent comment réduire le risque de blessure et ce qui peut se produire en cas de non-respect des instructions.

EXIGENCES D'INSTALLATION

Outillage et pièces

Rassembler les outils et pièces nécessaires avant de commencer l'installation. Lire et suivre les instructions fournies avec les outils indiqués ici.

Outils nécessaires

- Niveau
- Tournevis Phillips
- Mètre ruban
- Pince multiprise
- Clé à tuyauterie
- Clé à molette

Pièces nécessaires

- Canalisations d'eau homologuées (NSF ou UPC)
- Silicones transparentes (résistant aux intempéries)

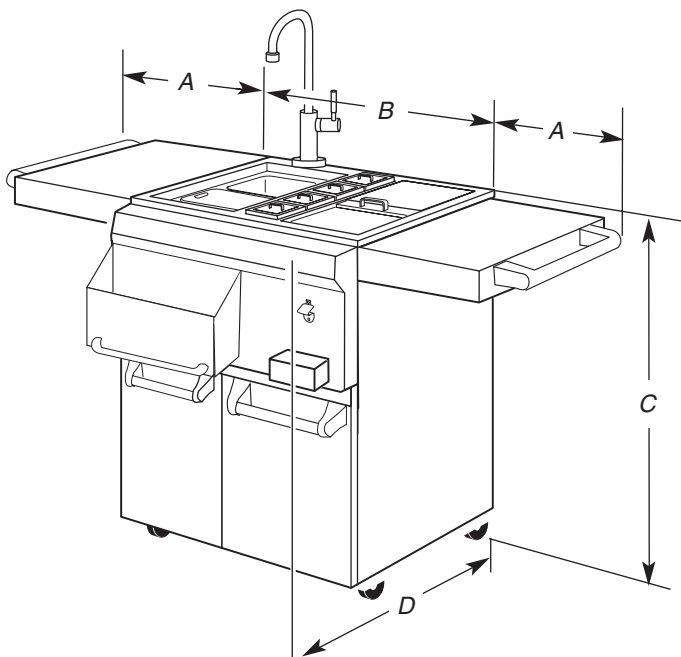
Exigences d'emplacement

IMPORTANT : Observer les dispositions de tous les codes et règlements en vigueur.

Dimensions du produit

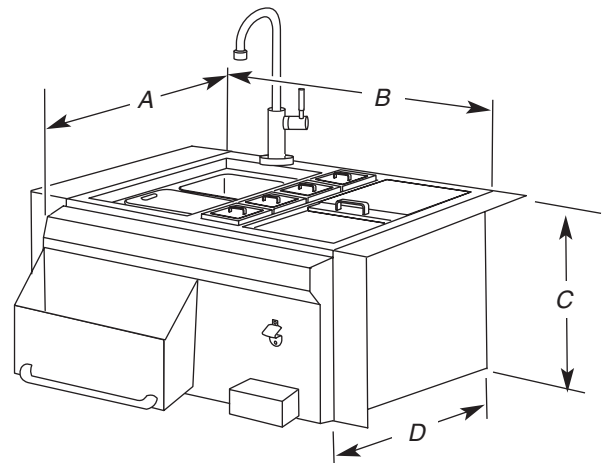
Modèles autoportants

Pour l'installation du modèle autoportant, on doit disposer d'un circuit de liaison à l'égout adéquat installé conformément aux prescriptions des codes locaux, pour le bac à glaçons et l'évier. Les canalisations d'évacuation et le filtre doivent être accessibles.



- A. 17 $\frac{1}{4}$ " (43,8 cm)
- B. 30" (76,2 cm)
- C. 36 $\frac{7}{8}$ " (93,7 cm)
- D. 26 $\frac{3}{8}$ " (67,0 cm)

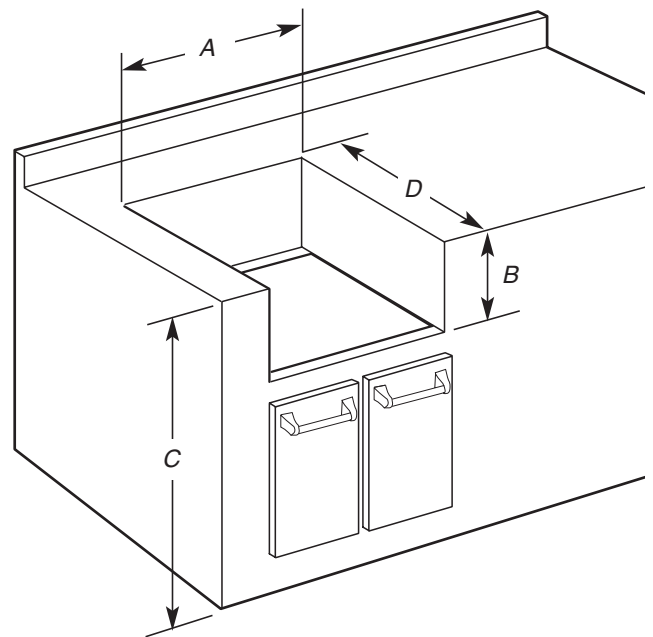
Modèles encastrés



- A. 26 $\frac{3}{8}$ " (67,0 cm)
- B. 30" (76,2 cm)
- C. 10" (25,4 cm)
- D. 22 $\frac{3}{4}$ " (57,8 cm)

Dimensions du placard (pour modèle encastré)

Fournir un circuit de liaison à l'égout adéquat installé conformément aux prescriptions des codes locaux, pour le bac à glaçons et l'évier. Les canalisations d'évacuation et le filtre doivent être accessibles.



- A. 30 $\frac{1}{2}$ " (77,5 cm)
- B. 10 $\frac{3}{4}$ " (27,3 cm)
- C. 35 $\frac{1}{2}$ " (90,2 cm) min.
- D. 23" (58,4 cm)

INSTRUCTIONS D'INSTALLATION

Comptoir pour rafraîchissements encastré

AVERTISSEMENT

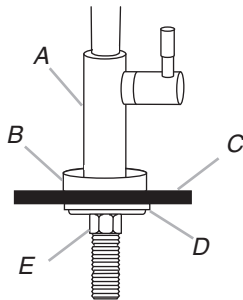
Risque du poids excessif

Utiliser deux ou plus de personnes pour déplacer et installer comptoir pour rafraîchissements.

Le non-respect de cette instruction peut causer une blessure au dos ou d'autre blessure.

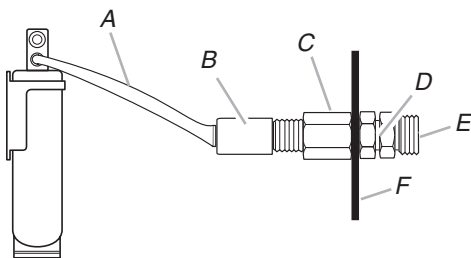
Demander à un plombier agréé d'installer et de raccorder le comptoir pour rafraîchissements d'extérieur à la source d'eau potable et à l'égout, conformément aux prescriptions du code local en vigueur.

1. À deux personnes ou plus, placer le comptoir pour rafraîchissements sur une surface couverte.
2. Vérifier que les points de connexion à l'égout sont sous le comptoir pour rafraîchissements (circuit réalisé conformément aux prescriptions des codes locaux).
3. Enlever le robinet du bac à glaçons.
4. Installer le robinet; bien serrer.



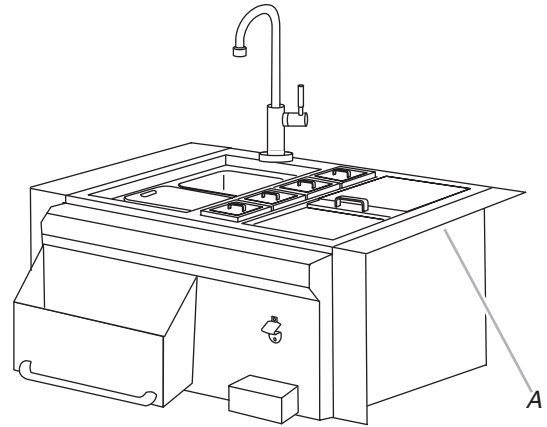
- A. Robinet
- B. Garniture de laiton avec joint torique
- C. Évier
- D. Joint de plastique
- E. Écrou de blocage

5. Installer le point de raccordement pour l'entrée de l'eau en un endroit approprié, sous l'ouverture découpée. Positionner le dispositif de connexion de l'arrivée de telle manière que le tuyau de plastique puisse facilement atteindre le point de connexion sur le filtre.



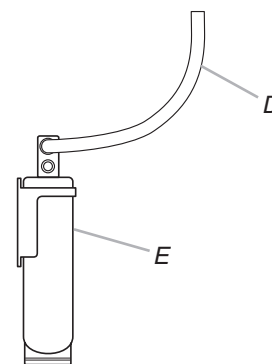
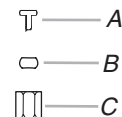
- A. Tube depuis le filtre à eau (entrée)
- B. Connecteur pour tuyau
- C. Écrou de connexion du tuyau
- D. Écrou de blocage en laiton
- E. Raccord d'entrée
- F. Face extérieure du panneau de montage

6. Les circuits de raccordement à l'égout pour le bac à glaçons et l'évier doivent être réalisés conformément aux prescriptions du code local en vigueur.



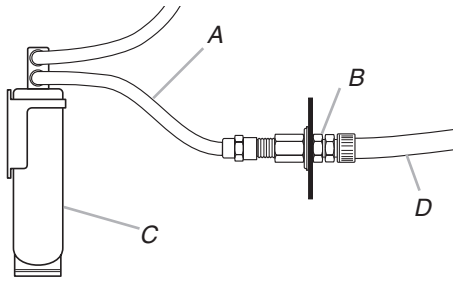
A. Face inférieure de la garniture de montage

7. Sous chaque côté de la garniture de montage, appliquer une coulée de composés d'étanchéité transparents aux silicones (résistant aux intempéries).
8. À deux personnes ou plus, placer le comptoir pour rafraîchissements dans l'ouverture. Enlever immédiatement l'excès de composés d'étanchéité aux silicones.
9. Connecter le tuyau de plastique provenant du filtre à eau sur le raccord de connexion du robinet; bien serrer.



- A. Partie insérée du tube de plastique
- B. Virole de plastique
- C. Écrou de compression
- D. Tuyau de plastique
- E. Filtre

10. Connecter le tuyau d'eau froide en plastique provenant de l'entrée d'eau à l'entrée du filtre. Pour l'arrivée d'eau jusqu'au raccord d'entrée, utiliser un conduit de raccordement homologué (NSF ou UPC). La source d'eau potable doit être connectée au raccord d'entrée conformément aux prescriptions du code local.



A. Tuyau de plastique
B. Raccord d'entrée
C. Filtre
D. Canalisation d'eau homologuée (NSF ou UPC)

11. Déballez le couvercle coulissant; placez le couvercle dans le châssis au sommet du bac à glaçons.

Comptoir pour rafraîchissements autoportant

⚠ AVERTISSEMENT

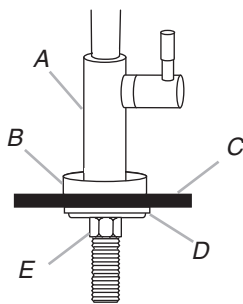
Risque du poids excessif

Utiliser deux ou plus de personnes pour déplacer et installer comptoir pour rafraîchissements.

Le non-respect de cette instruction peut causer une blessure au dos ou d'autre blessure.

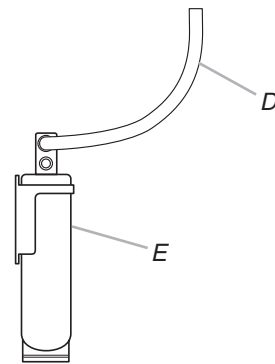
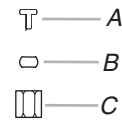
Demander à un plombier agréé d'installer et de raccorder le comptoir pour rafraîchissements d'extérieur à la source d'eau potable et à l'égoût, conformément aux prescriptions du code local en vigueur.

- Vérifier que vous avez un circuit de liaison à l'égoût adéquat pour le comptoir pour rafraîchissements.
- Enlever le robinet du bac à glaçons.
- Installer le robinet; bien serrer.



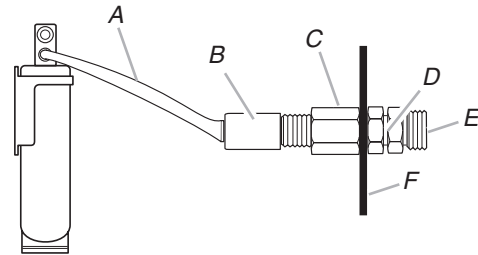
A. Robinet
B. Garniture de laiton avec joint torique
C. Évier
D. Joint de plastique
E. Écrou de blocage

4. Connecter le tuyau de plastique provenant du filtre à eau sur le raccord de connexion du robinet; bien serrer.



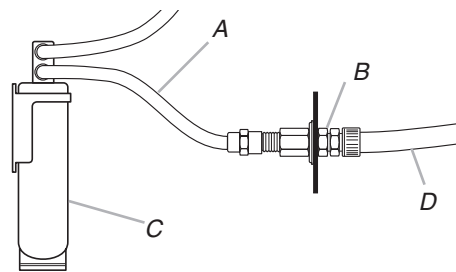
A. Partie insérée du tube de plastique
B. Virole de plastique
C. Écrou de compression
D. Tuyau de plastique
E. Filtre

5. Installer le dispositif de raccordement à travers le trou prévu à cet effet dans le panneau arrière du placard.



A. Tube depuis le filtre à eau (entrée)
B. Connecteur pour tuyau
C. Écrou de connexion du tuyau
D. Écrou de blocage en laiton
E. Raccord d'entrée
F. Face extérieure du panneau de montage

6. Connecter le tuyau d'eau froide en plastique provenant de l'entrée d'eau à l'entrée du filtre. Pour l'arrivée d'eau jusqu'au raccord d'entrée, utiliser un conduit de raccordement homologué (NSF ou UPC). La source d'eau potable doit être connectée au raccord d'entrée conformément aux prescriptions du code local.



A. Tuyau de plastique
B. Raccord d'entrée
C. Filtre
D. Canalisation d'eau homologuée (NSF ou UPC)

- Déballez le couvercle coulissant; placez le couvercle dans le châssis au sommet du bac à glaçons.
- Faire pivoter chaque étagère latérale vers le haut jusqu'à la position de verrouillage ou laisser chaque étagère abaissée, selon le besoin.
- Bloquer les roulettes avant pour empêcher le comptoir pour rafraîchissements de bouger.

ENTRETIEN DU COMPTOIR POUR RAFRAÎCHISSEMENTS

Nettoyage général

IMPORTANT : Toujours suivre les instructions figurant sur les étiquettes des produits de nettoyage.

Du savon, de l'eau et un chiffon doux ou une éponge sont recommandés à moins d'indication contraire.

Pour éviter les dommages causés par les intempéries, utiliser la housse (accessoire) conçue pour le comptoir pour rafraîchissements.

ACIER INOXYDABLE

Méthode de nettoyage :

Frotter dans la direction du grain pour éviter d'endommager la surface en acier inoxydable.

- Les renversements de nourriture doivent être nettoyés dès que possible. Les renversements peuvent causer une décoloration permanente. Utiliser un nettoyeur et un poli pour acier inoxydable pour nettoyer les renversements.

Nettoyant et poli pour acier inoxydable KitchenAid® - Pièce n° 4396920 (non incluse) ou chiffons pour acier inoxydable KitchenAid® - Pièce n° 8212510 (non incluse) :

Voir la section "Assistance ou service" pour commander.

- Détergent liquide ou nettoyeur tout-usage :
Rincer à l'eau propre et sécher avec un chiffon doux sans charpie.
- Vinaigre pour les taches d'eau dure
- Utiliser un nettoyeur pour les vitres pour retirer les traces de doigts.

Pour éviter d'endommager les surfaces en acier inoxydable, ne pas utiliser de tampons à récurer savonneux, de nettoyeurs abrasifs, de nettoyeurs contenant du chlore, de crème à polir pour table de cuisson, de tampons en laine d'acier, de chiffons de lavage rudes ou certains essuie-tout.

FILTRE À EAU POUR COMPTOIR POUR RAFRAÎCHISSEMENTS

- Il convient de remplacer le filtre à intervalles de 6 à 12 mois.
Pour démonter le filtre, faire tourner le filtre d'un quart de tour dans le sens antihoraire.
Pour l'installation du filtre, enfoncer la nouvelle cartouche et faire tourner dans le sens horaire.

EXTÉRIEUR DU COMPTOIR POUR RAFRAÎCHISSEMENTS

La qualité de ce matériau résiste à la plupart des taches et piqûres de corrosion dès lors que la surface est maintenue propre et protégée.

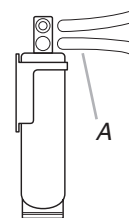
Méthode de nettoyage :

- Appliquer le poli pour acier inoxydable sur toutes les zones avant la première utilisation. Appliquer le produit après chaque nettoyage pour éviter d'endommager la surface externe du comptoir pour rafraîchissements.
- Le nettoyage doit toujours être suivi d'un rinçage à l'eau tiède propre.
- Utiliser un poli pour métal ou un nettoyeur pour acier inoxydable pour retirer les traces de doigts, les taches d'eau, l'oxydation et les taches de nourriture. Toujours suivre les directives du fabricant.
- Essuyer complètement la surface à l'aide d'un chiffon doux.

Préparation pour l'hiver - robinet et circuit du raccordement à l'égout

Si la température doit s'abaisser au-dessous de 35°F (1,7°C) pendant une période prolongée :

1. Fermer l'arrivée d'eau à l'évier.
2. Débrancher le circuit d'arrivée d'eau potable au point de connexion; remiser le système adéquatement.
3. Déconnecter le filtre; remiser le filtre à l'intérieur, en un endroit tiède et sec.
4. Déconnecter le circuit de raccordement à l'égout du bac à glaçons et de l'évier ainsi que le tube de 1/4" (6,4 mm) connecté sur le filtre; drainer l'eau de sa canalisation.



A. Tuyau de plastique

5. Recouvrir le comptoir pour rafraîchissements avec la housse (accessoire) ou une bâche.

ASSISTANCE OU SERVICE

Avant de faire un appel pour assistance ou service, consulter la section "Dépannage". Ce guide peut vous faire économiser le coût d'une visite de service. Si vous avez encore besoin d'aide, suivre les instructions ci-dessous.

Lors d'un appel, veuillez connaître la date d'achat, le numéro de modèle et le numéro de série au complet de l'appareil. Ces renseignements nous aideront à mieux répondre à votre demande.

Si vous avez besoin de pièces de rechange

Si vous avez besoin de commander des pièces de rechange, nous vous recommandons d'employer uniquement des pièces spécifiées par l'usine. Les pièces spécifiées par l'usine conviendront et fonctionneront bien parce qu'elles sont fabriquées avec la même précision que celles utilisées dans la fabrication de chaque nouvel appareil KITCHENAID®.

Pour localiser des pièces spécifiées par l'usine dans votre région, nous appeler ou contacter le centre de service désigné le plus proche.

Accessoires

Nettoyant et poli pour acier inoxydable KitchenAid®

Commander la pièce n° 4396920

Housse de vinyle pour comptoir pour rafraîchissements d'extérieur autoportant

Commander la pièce n° 8212707

Housse de vinyle pour comptoir pour rafraîchissements d'extérieur encastré

Commander la pièce n° 8212708

Veuillez appeler sans frais le Centre d'interaction avec la clientèle de KitchenAid Canada au : **1-800-807-6777**.

Nos consultants vous renseigneront sur les sujets suivants :

- Caractéristiques et spécifications sur toute notre gamme d'appareils électroménagers.
- Consignes d'utilisation et d'entretien.
- Ventes d'accessoires et pièces de rechange.
- Références aux marchands locaux, aux distributeurs de pièces de rechange et aux compagnies de service. Les techniciens de service désignés par KitchenAid Canada sont formés pour remplir la garantie des produits et fournir un service après la garantie, partout au Canada.

Pour plus d'assistance

Si vous avez besoin de plus d'assistance, vous pouvez soumettre par écrit toute question ou préoccupation à KitchenAid Canada à l'adresse suivante :

Centre d'interaction avec la clientèle
KitchenAid Canada
1901 Minnesota Court
Mississauga, Ontario L5N 3A7

Veuillez inclure dans votre correspondance un numéro de téléphone où l'on peut vous joindre dans la journée.

GARANTIE DES PRODUITS POUR USAGE EXTÉRIEUR KITCHENAID®

GARANTIE LIMITÉE DE UN AN

Pendant un an à compter de la date d'achat, lorsque ce produit pour usage extérieur est utilisé et entretenu conformément aux instructions jointes à ou fournies avec le produit, KitchenAid paiera pour les pièces spécifiées par l'usine et la main-d'œuvre pour corriger les vices de matériaux ou de fabrication. Le service doit être fourni par une compagnie de service désignée par KitchenAid.

GARANTIE LIMITÉE DE LA DEUXIÈME À LA CINQUIÈME ANNÉE INCLUSIVEMENT SUR LES PIÈCES POUR LES GRILS UNIQUEMENT

De la deuxième à la cinquième année inclusivement à compter de la date d'achat, lorsque ce gril est utilisé et entretenu conformément aux instructions jointes à ou fournies avec le produit, KitchenAid paiera pour les pièces spécifiées par l'usine pour corriger les vices de matériaux ou de fabrication.

GARANTIE LIMITÉE À VIE SUR LES COMPOSANTS EN ACIER INOXYDABLE POUR LES GRILS UNIQUEMENT

Pour la durée de vie du produit, lorsque ce gril est utilisé et entretenu conformément aux instructions jointes à ou fournies avec le produit, KitchenAid remplacera la structure en acier inoxydable en cas de vices de matériaux ou de fabrication. Pour la durée de vie du produit, lorsque ce gril est utilisé et entretenu conformément aux instructions jointes à ou fournies avec le produit, KitchenAid paiera pour les pièces de rechange des brûleurs du gril en acier inoxydable.

KITCHENAID NE PRENDRA PAS EN CHARGE

1. Les visites de service pour rectifier l'installation du produit pour usage extérieur, montrer à l'utilisateur comment utiliser le produit pour usage extérieur, remplacer ou réparer des fusibles ou rectifier le câblage ou la plomberie du domicile.
2. Les dommages au fini, tels qu'éraflures ou décoloration qui peuvent résulter de l'utilisation normale.
3. Les réparations lorsque le produit pour usage extérieur est utilisé à des fins autres que l'usage unifamilial normal.
4. Les dommages imputables à : accident, modification, usage impropre ou abusif, incendie, inondation, actes de Dieu, installation fautive ou installation non conforme aux codes d'électricité ou de plomberie, ou l'utilisation de produits non approuvés par KitchenAid.
5. L'ensemble de conversion ou l'appel de service pour la conversion de produit pour usage extérieur de gaz naturel à propane ou de propane à gaz naturel.
6. Le coût des pièces de rechange et de la main-d'œuvre pour les produits pour usage extérieur utilisés hors des États-Unis et du Canada.
7. Le ramassage et la livraison. Ce produit pour usage extérieur est conçu pour être réparé à domicile.
8. Les réparations aux pièces ou systèmes résultant d'une modification non autorisée faite au produit pour usage extérieur.
9. Les frais de voyage et de transport pour le service d'un produit dans les régions éloignées.
10. La dépose et la réinstallation de votre produit pour usage extérieur si celui-ci est installé dans un endroit inaccessible ou n'est pas installé conformément aux instructions d'installation fournies.
11. Toute main-d'œuvre après la première année.
12. Les dommages résultant de l'usure normale du produit pour usage extérieur.

CLAUSE D'EXONÉRATION DE RESPONSABILITÉ AU TITRE DES GARANTIES IMPLICITES; LIMITATION DES RECOURS

LE SEUL ET EXCLUSIF RECOURS DU CLIENT DANS LE CADRE DE LA PRÉSENTE GARANTIE LIMITÉE CONSISTE EN LA RÉPARATION PRÉVUE CI-DESSUS. LES GARANTIES IMPLICITES, Y COMPRIS LES GARANTIES APPLICABLES DE QUALITÉ MARCHANDE ET D'APTITUDE À UN USAGE PARTICULIER, SONT LIMITÉES À UN AN OU À LA PLUS COURTE PÉRIODE AUTORISÉE PAR LA LOI. KITCHENAID N'ASSUME AUCUNE RESPONSABILITÉ POUR LES DOMMAGES FORTUITS OU INDIRECTS. CERTAINES JURIDICTIONS NE PERMETTENT PAS L'EXCLUSION OU LA LIMITATION DES DOMMAGES FORTUITS OU INDIRECTS, OU LES LIMITATIONS DE LA DURÉE DES GARANTIES IMPLICITES DE QUALITÉ MARCHANDE OU D'APTITUDE À UN USAGE PARTICULIER, DE SORTE QUE CES EXCLUSIONS OU LIMITATIONS PEUVENT NE PAS S'APPLIQUER DANS VOTRE CAS. CETTE GARANTIE VOUS CONFÈRE DES DROITS JURIDIQUES SPÉCIFIQUES ET VOUS POUVEZ ÉGALEMENT JOUIR D'AUTRES DROITS QUI PEUVENT VARIER D'UNE JURIDICTION À UNE AUTRE.

À l'extérieur du Canada et des 50 États des États-Unis, cette garantie ne s'applique pas. Contacter votre marchand KitchenAid autorisé pour déterminer si une autre garantie s'applique.

Si vous avez besoin de service, voir d'abord la section "Dépannage" du Guide d'utilisation et d'entretien. Après avoir vérifié la section "Dépannage", de l'aide supplémentaire peut être trouvée en vérifiant la section "Assistance ou service" ou en appelant KitchenAid. Aux É.-U., composer le **1-800-422-1230**. Au Canada, composer le **1-800-807-6777**. 11/06

Conservez ce manuel et votre reçu de vente ensemble pour référence ultérieure. Pour le service sous garantie, vous devez présenter un document prouvant la date d'achat ou d'installation.

Inscrivez les renseignements suivants au sujet de votre gros appareil ménager pour mieux vous aider à obtenir assistance ou service en cas de besoin. Vous devrez connaître le numéro de modèle et le numéro de série au complet. Vous trouverez ces renseignements sur la plaque signalétique située sur le produit.

Nom du marchand _____

Adresse _____

Numéro de téléphone _____

Numéro de modèle _____

Numéro de série _____

Date d'achat _____

W10110733

© 2007. All rights reserved.
Tous droits réservés.

® Registered Trademark/TM Trademark of KitchenAid, U.S.A., KitchenAid Canada licensee in Canada
® Marque déposée/TM Marque de commerce de KitchenAid, U.S.A., Emploi sous licence par KitchenAid Canada au Canada

2/07
Printed in China
Imprimé en Chine

Free Manuals Download Website

<http://myh66.com>

<http://usermanuals.us>

<http://www.somanuals.com>

<http://www.4manuals.cc>

<http://www.manual-lib.com>

<http://www.404manual.com>

<http://www.luxmanual.com>

<http://aubethermostatmanual.com>

Golf course search by state

<http://golfingnear.com>

Email search by domain

<http://emailbydomain.com>

Auto manuals search

<http://auto.somanuals.com>

TV manuals search

<http://tv.somanuals.com>