

KitchenAid[®]

Installation Instructions

Part No. 4367501

30" Electric Built-in/Built-under Flush Oven

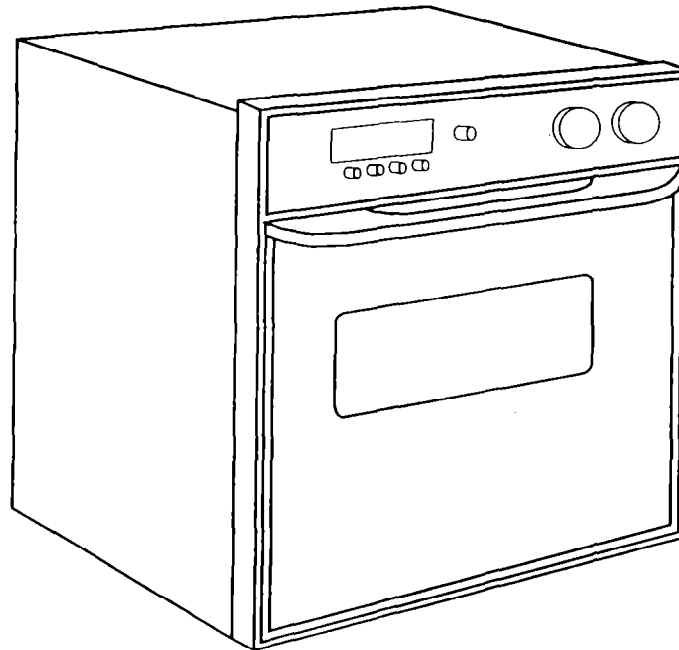
**IMPORTANT:
Read and save
these instructions.**

IMPORTANT:

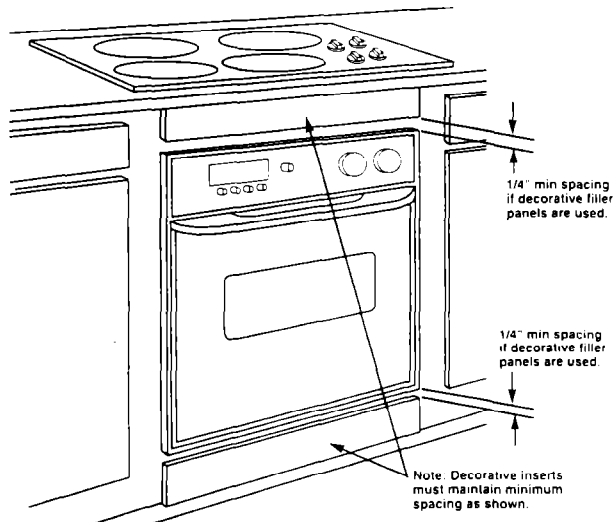
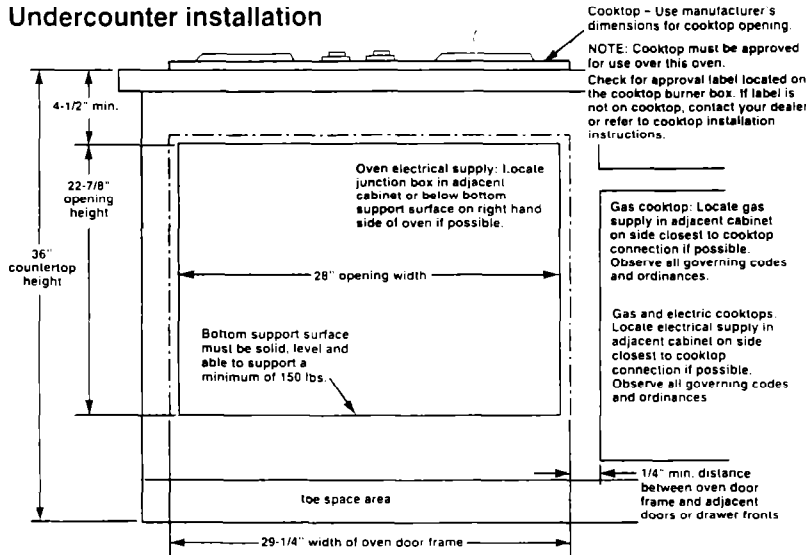
Installer: Leave Installation Instructions with the homeowner.

Homeowner: Keep Installation Instructions for future reference.

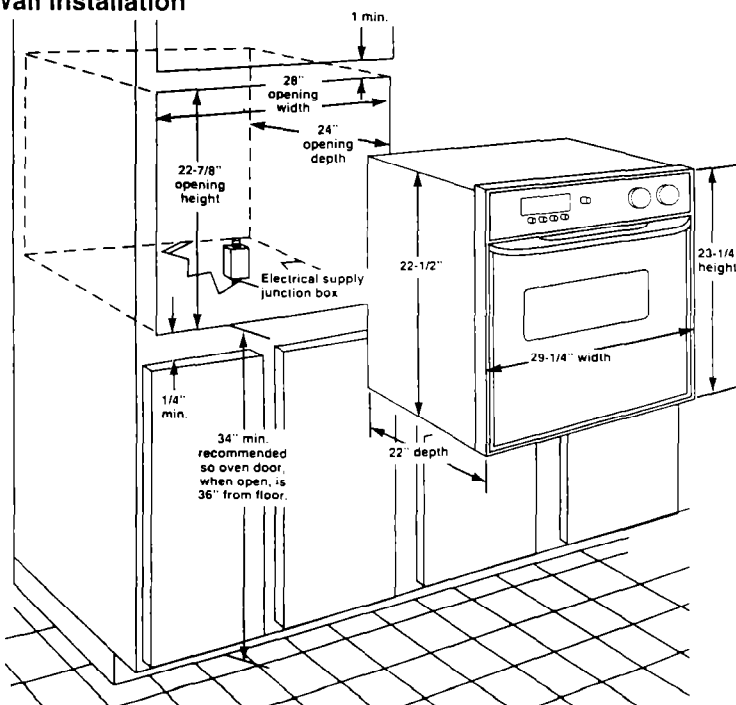
Save Installation Instructions for local electrical inspector's use.



Undercounter installation



Wall installation



Panel A

Before you start...

Read the electrical and carpentry instructions.

This appliance is manufactured for connection to a separate, 240-volt circuit. If a 208-volt circuit must be used, wiring inside oven must be modified. See "Connection to 208-volt circuit," Panel B, for details.

Proper installation is your responsibility. A qualified technician should install this oven. Make sure you have everything necessary for correct installation.

Check location where oven will be installed. The location should be away from strong draft areas, such as windows, doors, and strong heating vents or fans. The oven should be located for convenient use in kitchen.

Cabinet opening dimensions that are shown must be used. Bottom support surface must be solid, level and able to support a minimum of 150 lbs.

The recessed installation area must provide complete enclosure around the recessed portion of the oven.

Electrical ground is required. See Electrical requirements.

WARNING

Electrical Shock Hazard

It is the customer's responsibility:

- To contact a qualified electrical installer.
- To assure that the electrical installation is adequate and in conformance with National Electrical Code, ANS/NFPA 70-latest edition*, and all local codes and ordinances.

Failure to do so could result in electrical shock or other personal injury.

Personal Injury Hazard

Securely fasten oven to cabinet using the two screws provided.

Failure to do so could cause the oven to move or tip during use and result in personal injury.

CAUTION

Cabinet Damage

Do Not block the oven vent.

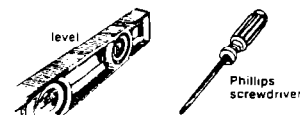
Blocking the oven vent may cause cabinet damage and poor baking performance.

NOTE:

- This oven is not intended for commercial use.
- The oven support surface must be flush with the bottom of the cabinet cutout.
- Clearances specified are for combustible walls and materials that have a density of 20 or more pounds per cubic foot. No evaluation has been made for installations adjacent to materials that are less than 20 pounds per cu. ft. or to plastic tiles and sheeting.

Important: Observe all governing codes and ordinances.

Tools needed for installation:



Parts supplied for installation:



Electrical requirements

⚠ WARNING

Electrical Shock Hazard

- Electrical ground is required on this appliance.
 - If cold water pipe is interrupted by plastic, non-metallic gaskets or other insulating materials, Do Not use for grounding.
 - Do Not ground to a gas pipe.
 - Do Not have a fuse in the neutral or grounding circuit. A fuse in the neutral or grounding circuit could result in an electrical shock.
 - Do Not use an extension cord with this appliance.
 - Check with a qualified electrician if you are in doubt as to whether the appliance is properly grounded.
- Failure to follow these instructions could result in serious injury or death.

If codes permit and a separate grounding wire is used, it is recommended that a qualified electrician determine that the grounding path is adequate.

IMPORTANT:

Save Installation Instructions for the local electrical inspector's use.

A. This appliance must be connected to the proper electrical voltage and frequency specified on the serial/rating plate. The serial/rating plate is located on the frame behind the oven door.

The branch circuit load for a counter-mounted cooktop and not more than two wall-mounted ovens, all supplied from a single branch circuit and located in the same room, shall be computed by adding the nameplate ratings of the individual appliances and treating this total as equivalent to one range.

A three-wire or four-wire, single phase, 120/240-volt, 60-Hz, AC-only electrical supply (or three-wire or four-wire, 120/208-volt if specified on the nameplate) is required on a separate 30-ampere circuit, fused on both sides of the line. A time-delay fuse or circuit breaker is recommended.

NOTE: Wiring must be modified for 208-volt usage. See "Connecting to 208-volt circuit." Panel B

B. OVEN MUST BE CONNECTED WITH COPPER WIRE ONLY.

C. It is the personal responsibility and obligation of the customer to contact a qualified electrician to assure that the electrical installation is adequate and in conformance with the National Electrical Code, ANSI/NFPA 70-latest edition,* and all local codes and ordinances for the kilowatt rating of the oven.

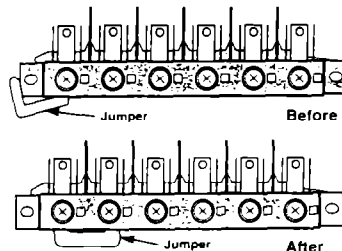
Copies of the standards listed may be obtained from:

*National Fire Protection Association
Battery March Park
Quincy, Massachusetts 02269

D. This appliance should be connected directly to the fused disconnect or circuit breaker box through flexible, armored or non-metallic sheathed, copper cable (with grounding wire). Allow two to three feet of slack in the line so that the oven can be moved if servicing is ever necessary. Do Not cut the conduit.

A U.L.-listed conduit connector must be provided at each end of the power supply cable (at the appliance and at the junction box). Wire sizes (COPPER WIRE ONLY) and connections must conform with the rating of the appliance

Connecting to 208-volt circuit



1. Remove access panel located on back of oven
2. Loosen the first and second screws in the terminal block.
3. Place metal jumper between the first and second screws
4. Tighten screws.
5. Replace access panel.

Electrical connection

⚠ WARNING

Electrical Shock Hazard

- Electrical ground is required on this appliance.
 - Do Not connect to the electrical supply until appliance is permanently grounded.
 - Disconnect power to the junction box before making the electrical connection.
 - This appliance must be connected to a grounded, metallic, permanent wiring system, or a grounding connector should be connected to the grounding terminal or wire lead on the appliance.
- Failure to do so could result in a fire, personal injury or electrical shock

This appliance is manufactured with white (neutral) power supply wire and a cabinet-connected green grounding wire twisted together. Connect the appliance cable to the junction box through the U.L.-listed conduit connector. Complete electrical connection according to local codes and ordinances.

A. Where local codes permit... connecting the cabinet-grounding conductor to the neutral (white) junction box wire:

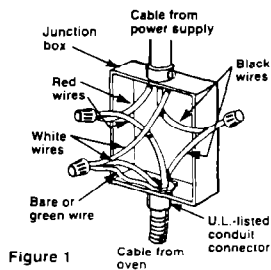


Figure 1
Grounded Neutral

1. Disconnect the power supply.
2. Connect together 3 wires: green and white appliance cable wires and the neutral white wire in the junction box
3. Connect the two black wires together, then connect the two red wires together. See Figure 1

B. Where local codes Do Not permit...

connecting the cabinet-grounding conductor to the neutral (white) junction box wire:

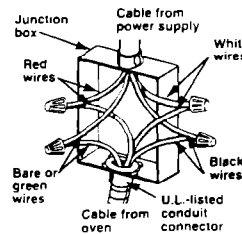


Figure 2
Ungrounded Neutral

1. Disconnect power supply.
2. Separate the green and white appliance cable wires
3. Connect the white appliance cable wire to the neutral (white) wire in the junction box.
4. Connect the two black wires together, then connect the two red wires together. See Figure 2
5. Connect the green or bare grounding wire from the appliance cable to a grounded wire in the junction box.

C. If connecting to a four-wire electrical system...

Do Not connect the cabinet-grounding conductor to the neutral (white) junction box wire.

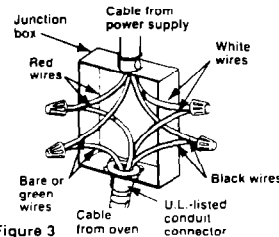


Figure 3

1. Disconnect power supply.
2. Separate the green and white appliance cable wires
3. Connect the white appliance cable wire to the neutral (white) wire in the junction box.
4. Connect the two black wires together, then connect the two red wires together. See Figure 3
5. Connect the green or bare grounding wire from the appliance cable to the grounding wire in the junction box.

Now start...

With oven in kitchen.

1. Remove shipping materials, tape and protective film from oven. Do Not remove the shipping base at this time.

WARNING

Personal Injury/Product Damage Hazard

- Do Not use the handle or any portion of the front frame or trim for lifting.
- Because of the weight and size of the oven, two or more people are needed to move and safely install this oven.

Failure to properly lift the oven properly could result in product damage or personal injury.

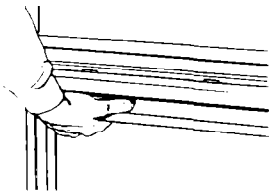
CAUTION

Floor Damage

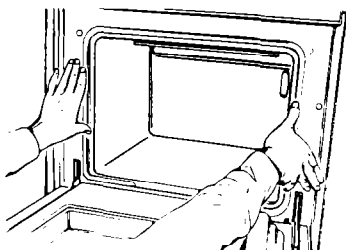
Before moving oven across floor, check that oven is on shipping base or slide oven onto cardboard or hardboard.

Failure to do so could cause damage to floor covering.

2. Disconnect the power supply. Move oven close to cabinet opening. Make electrical connection. See "Electrical requirements" and "Electrical connection" sections, Panel B, for details.



3. Remove and discard shipping base or cardboard or hardboard from under oven. Lift oven up to cabinet opening using the oven opening as an area to grip. Center oven in cabinet opening.



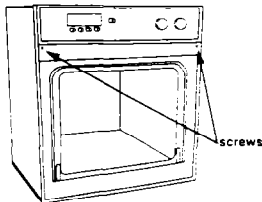
Push against seal area of front frame to push oven into cabinet.

WARNING

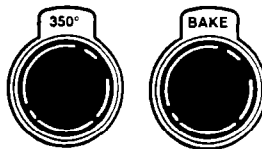
Personal Injury Hazard

Securely fasten oven to cabinet using the two screws provided.

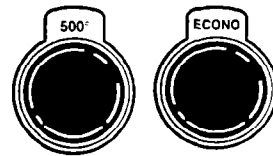
Failure to do so could cause oven to move or tip during use and result in personal injury.



4. Secure oven to cabinet using the two screws through the mounting holes in the front frame of the oven. Do Not overtighten screws.



5. Turn power supply on. Check the operation of the oven bake element. Press the Selector and Temperature control knobs. The knobs will pop out. Turn the Selector control knob to "BAKE." Turn the Temperature control knob to "350°." Press Start button. The oven indicator light should be on. The lower oven element (sealed below the oven bottom) should be heating and the outer upper element should become hot, but not glow red. The oven indicator light goes off when oven is preheated. Turn oven selector and temperature control knobs to "OFF."



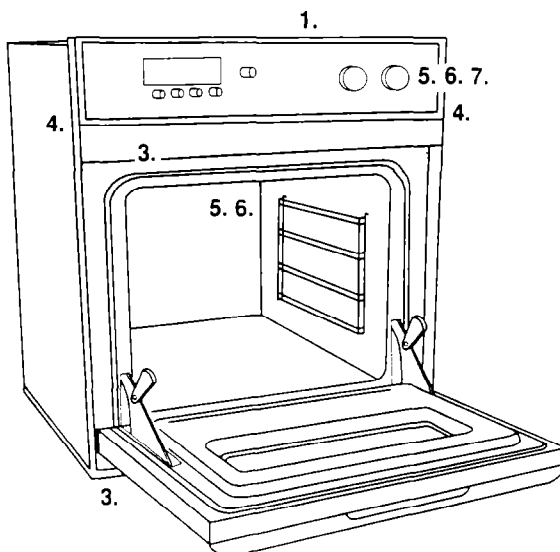
6. Check the operation of the oven broil elements.

ECONO BROIL: Turn the Selector control knob to "ECONO." Turn the Temperature control knob to "500°." Press Start button. The oven indicator light should be on, the inner upper element should glow red, and the cooling fan may turn on. The oven should be heating.

MAXI BROIL: Turn the Selector control knob to "MAXI." Turn the Temperature control knob to "500°." Press Start button. The oven indicator light should be on. Both the inner and outer upper elements should glow red, and the cooling fan may turn on. The oven should be heating.

7. Turn the Selector and Temperature control knobs to "OFF." Push in on the Temperature and Selector control knobs. The knobs will retract, flush with the oven.

To get the most efficient use from your new oven, read your KitchenAid Use & Care Guide. Keep Installation Instructions and Guide close to oven for easy reference.



Numbers correspond to steps.

If the oven does not operate...

Check that the house circuit breaker is not tripped or the fuse blown. A more detailed troubleshooting checklist is provided in the Use and Care Guide.



WARNING

Personal Injury/Product Damage Hazard
Do Not step, lean or sit on the oven door.
Failure to follow this instruction could result in personal injury and/or product damage.

NOTE:
Refer to Use and Care Guide for operating instructions and cleaning instructions.

If you need assistance...

The KitchenAid Consumer Assistance Center will answer any questions about operating or maintaining your oven not covered in the Installation Instructions. The KitchenAid Consumer Assistance Center is open 24 hours a day, 7 days a week. Just dial (800) 422-1230 — the call is free.

When you call, you will need the oven model number and serial number. Both numbers can be found on the serial/rating plate located behind the oven door on the oven frame.

If you need service...

In the event that your KitchenAid appliance should need service, call the dealer from whom you purchased the appliance or a KitchenAid-authorized service company. A KitchenAid-authorized service company is listed in the Yellow Pages of your telephone directory under "Appliances — Household — Major — Service or Repair". You can also obtain the service company's name and telephone number by dialing, free, within the continental United States, the KitchenAid Consumer Assistance Center telephone number, (800) 422-1230. A special operator will tell you the name and number of your nearest KitchenAid-authorized service company.

Maintain the quality built into your KitchenAid appliance — call a KitchenAid-authorized service company.

Free Manuals Download Website

<http://myh66.com>

<http://usermanuals.us>

<http://www.somanuals.com>

<http://www.4manuals.cc>

<http://www.manual-lib.com>

<http://www.404manual.com>

<http://www.luxmanual.com>

<http://aubethermostatmanual.com>

Golf course search by state

<http://golfingnear.com>

Email search by domain

<http://emailbydomain.com>

Auto manuals search

<http://auto.somanuals.com>

TV manuals search

<http://tv.somanuals.com>