

KitchenAid® 27" Electric Built-In Single and Double Ovens

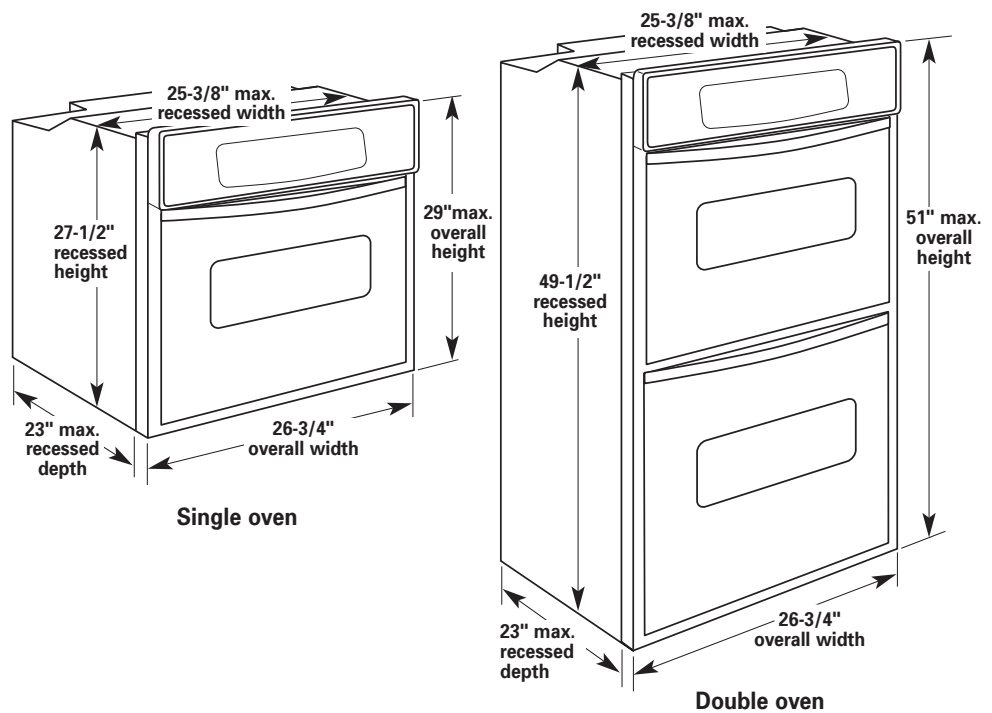
PRODUCT MODEL SERIES

KEBC171K	KEBI171D
KEBC177K	KEBI276D
KEBC276K	KEBS177D
KEBC277K	KEBS277D
KEBC278K	KEBS278D

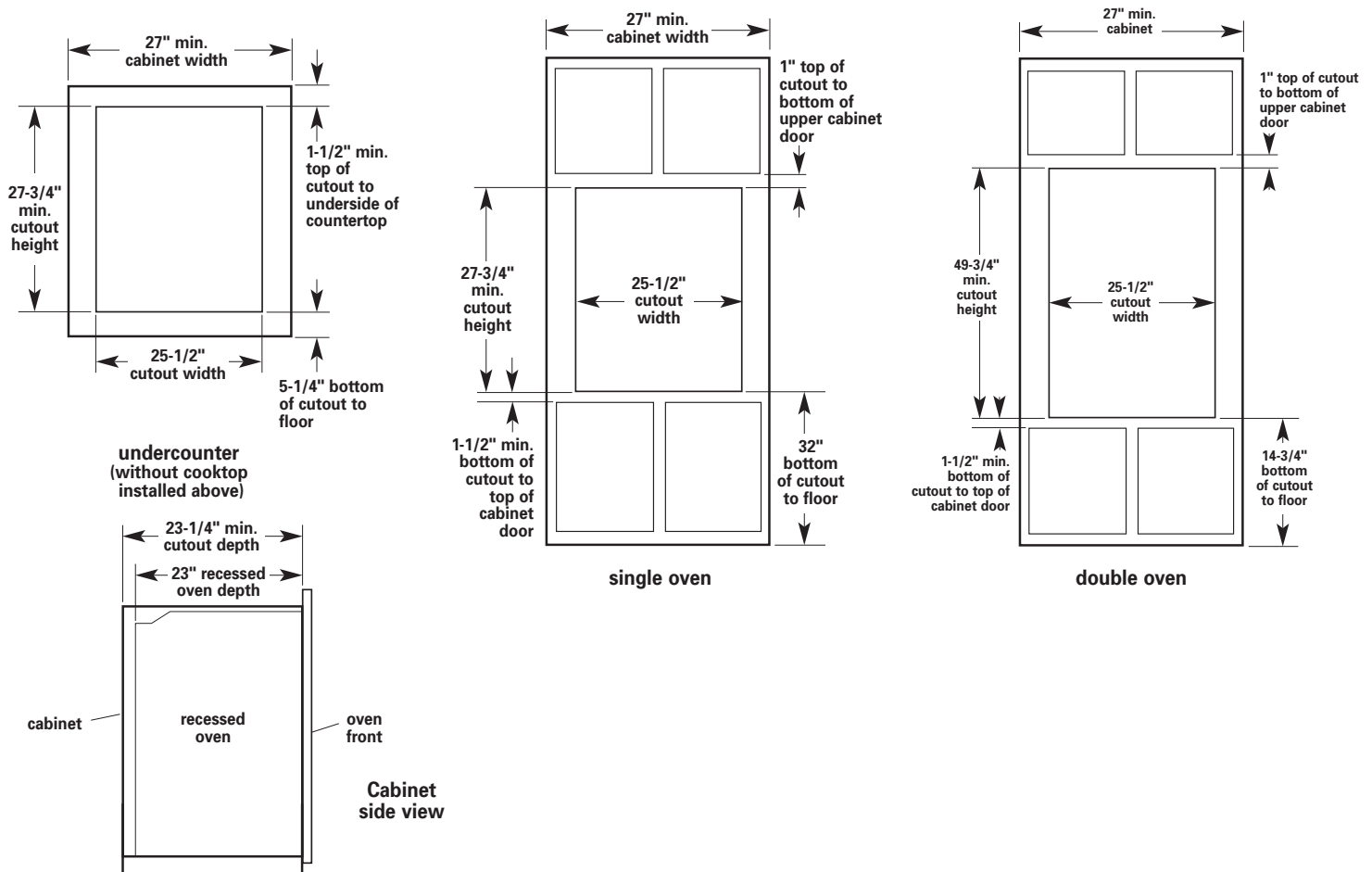
Electrical:

A three-wire or four-wire, single phase, 240-volt, 60-Hz, AC-only electrical supply is required. Models rated from 7.3 to 9.6 kW at 240 volts (5.5 to 7.2 kW at 208 volts) require a separate 40 amp circuit, fused on both sides of the line. Models rated at 7.2 kW and below at 240 volts (5.4 kW and below at 208 volts) require a separate 30 amp circuit, fused on both sides of the line. Use minimum 8 gauge copper wire only. A time-delay fuse or circuit breaker is recommended. A U.L.-listed conduit connector must be provided at the junction box.

OVERALL DIMENSIONS



CABINET OPENING DIMENSIONS



Free Manuals Download Website

<http://myh66.com>

<http://usermanuals.us>

<http://www.somanuals.com>

<http://www.4manuals.cc>

<http://www.manual-lib.com>

<http://www.404manual.com>

<http://www.luxmanual.com>

<http://aubethermostatmanual.com>

Golf course search by state

<http://golfingnear.com>

Email search by domain

<http://emailbydomain.com>

Auto manuals search

<http://auto.somanuals.com>

TV manuals search

<http://tv.somanuals.com>