



ELECTRIC BUILT-IN SINGLE & DOUBLE OVENS

MODELS (singles):

KEBI140/141/170/171

KEBS145/146/176/177

SCO-1243/2433/1273/2733

MODELS (doubles):

KEBI240/241/270/271

KEBS245/246/276/277

SCO-2243/2443/2273/2743

INSTALLATION INSTRUCTIONS

INSTALLER: FINAL CHECK LIST

IMPORTANT:

LEAVE THESE INSTRUCTIONS FOR USE BY LOCAL ELECTRICAL INSPECTOR

PLACEMENT OF UNIT

- 1. Properly positioned-level, aligned and square with cabinet opening.
- 2. Anchored securely to cabinet.
- 3. Installation debris removed.

ELECTRICAL

- 1. Oven properly grounded.
- 2. Separate 120/240 volt or 120/208 volt, 60 Hz, single phase branch circuit of proper ampacity, and protected by a time-delay fuse or circuit breaker of proper size.
- 3. All connections made in accordance with National Electrical Code, ANSI/NFPA 70-latest edition and local codes and ordinances.

OPERATIONAL

- 1. Oven racks installed and slide freely in all positions.
- 2. Knobs securely in place and rotate freely without rubbing edges of control panel glass holes.
- 3. All lights function properly.
- 4. Clock timer buzzer operates.
- 5. Doors properly adjusted, open and close smoothly.
- 6. Selector switch functions in all modes.
- 7. Unless instructed to leave for owner, remove all tags, labels and internal packing materials.
- 8. Oven has been wiped clean to remove fingerprints and other smudges.

THANK YOU INSTALLER:

1. Complete Installation Check List.
2. Leave all literature for customer.
3. Notify dealer that installation is completed.

FOR DETAILED INSTRUCTIONS, FOLLOW METHODS DESCRIBED IN THIS FOLDER.

Download from www.Somanuals.com. All Manuals Search And Download.

IMPORTANT: Read Before Installing to Save Time, Work, assure proper performance, and owner's warranty protection.

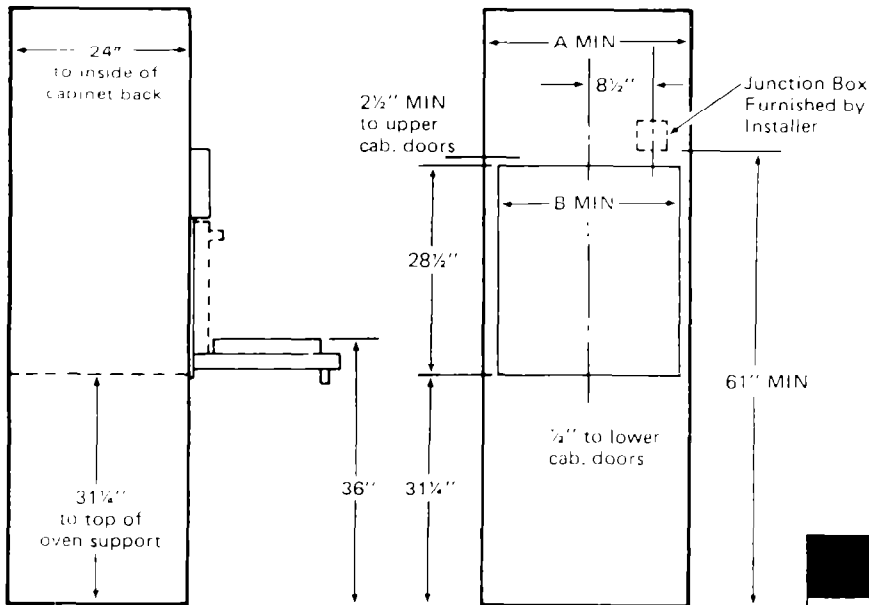
INSTALLATION INSTRUCTIONS

CABINET CONSTRUCTION

The oven must be enclosed by an appropriate cabinet or properly framed opening in the wall. See illustrations and tables for dimensions.

The cabinet must have a solid bottom or two runners, 19-1/2 inches apart and centered within the cabinet. The bottom or runners must be able to support the weight of the unit (225 pounds for a double oven). The bottom or runners must be level, straight and flush with the cabinet cutout. The oven must be level for proper baking and once installed, the oven cannot be leveled.

Note: Clearances specified are for combustible walls and materials that have a density of 20 or more pounds per cubic foot. No evaluation of clearances has been made for installations adjacent to materials that are less than 20 pounds per cu. ft. density or to plastic tiles and sheeting.



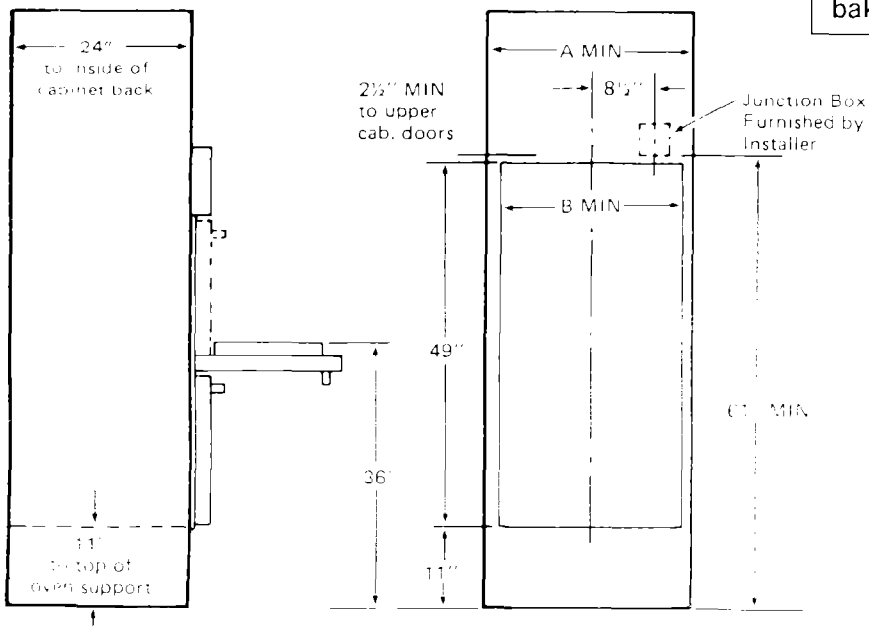
SINGLE OVENS

Model No.	A Min. Cabinet Width	B Min. Cut Out Width
KEBI140/141 KEBS145/146 SCO-1243 SCO-2433	24"	22 1/2"
KEBI170/171 KEBS176/177 SCO-1273 SCO 2733	27"	24 1/2"

WARNING

Cabinet Damage Hazard

Do Not block the oven vent. Blocking the vent may cause cabinet damage and poor baking performance.



DOUBLE OVENS

Model No.	A Min. Cabinet Width	B Min. Cut Out Width
KEBI240/241 KEBS245/246 SCO-2243 SCO-2443	24"	22 1/2"
KEBI270/271 KEBS276/277 SCO-2273 SCO-2743	27"	24 1/2"

ELECTRICAL REQUIREMENTS

⚠ WARNING

Electrical Shock Hazard

- Electrical ground is required on this appliance.
- Improper connection of the equipment-grounding conductor line can result in electrical shock.
- Check with a qualified electrician if you are in doubt as to whether the appliance is properly grounded. Do Not modify the power supply cord plug. If it will not fit the outlet, have a proper outlet installed by a qualified electrician.
- Do Not use an extension cord with this appliance. Such use may result in a fire, electrical shock or other personal injury.
- Do Not have a fuse in the neutral or ground circuit. A fuse in the neutral or ground circuit could result in an electrical shock.
- This appliance must be connected to a grounded, metallic permanent wiring system; or a grounding conductor should be connected to the grounding terminal or lead on the appliance. Failure to do so could result in an electrical shock.

It is the customer's responsibility to contact a qualified electrical installer to assure that electrical installation is adequate and in conformance with National Electrical Code, ANSI/NFPA 70-latest edition and local codes and ordinances.

A 120/240-volt or 120/208 volt, 60 Hz, AC only, fused electrical supply is required. A time-delay fuse or circuit breaker is recommended. It is recommended that a separate circuit serving only this appliance be provided. It is the personal responsibility of the customer to have a properly grounded, 3-prong wall receptacle installed by a qualified electrician.

The following amperage circuits must be provided:

When installed in a mobile home, the installation must conform to the Manufactured Home Construction and Safety Standards, Title 24 CFR, Part 3280 (formerly the Federal Standard for Mobile Home Construction and Safety, Title 24, HUD, Part 280).

TABLE 1

Model No.	Maximum Wattage (KW) 240/208 Volt	Fuse or Breaker Size Required
KEBS177	3.7/3.0	30 Amps
KEBI140/141/170/171 KEBS145/146/176 SCO-1243/1273 SCO-2433/2733	3.8/3.0	
KEBI240/270 SCO-2243/2273	6.0/5.0	
KEBS277	7.3/5.8	
KEBI241/271 KEBS245/246/276 SCO-2443/2743	7.5/6.0	40 Amps

UNPACKING THE UNIT

⚠ WARNING

Personal Injury

More than one person is required to lift or move the oven because of its weight and size. Failure to follow these instructions may result in personal injury.

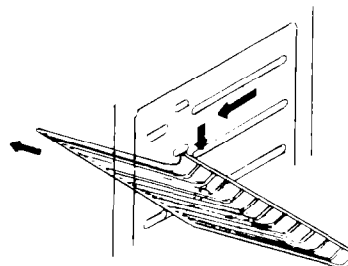
⚠ CAUTION

Floor Damage

Keep shipping base under oven. Failure to do so could cause damage to floor covering.

The oven should be left on the carton base until it is ready to put into the cabinet. It is also recommended that the pads over the door(s) be left in place. These precautions will reduce the possibility of damage to the front of the unit and the bottom of the front frame.

Remove all cords, tape and wire used to hold various parts in position during shipment. Remove oven racks from the inside of the oven and put to one side while oven is being installed in cabinet. Take broiler pan and grid from packing on top of the oven and keep with literature packet in a location where they will be retained by the owner.



To Remove Oven Racks

Slide rack forward until bar on back of rack touches first stop.
Lift front of rack until rear portion of rack slides out between front two stops

ELECTRICAL CONNECTION

⚠ WARNING

Electrical Shock Hazard

Disconnect power supply before making any electrical connections. Failure to do so may result in electrical shock.

Connect the conduit from the oven to the junction box and properly connect to the power supply leads. (Bare to ground, black to L2, red to L1, white to neutral or according to local code.)

GROUNDING — THE OVEN MUST BE GROUNDED.

Do not work on the oven wiring until the oven has been positively grounded.

The oven frame is grounded through the bare grounding wire. Connect the white neutral to the service neutral wire at the junction box.

INSTALLING THE UNIT IN CABINET

⚠ WARNING

Potential Personal Injury

- Use both hands to remove oven doors.
- Grasp only the sides of the oven door. Do Not use any portion of the front frame or trim for lifting.

Failure to properly grasp oven door could result in damage to product or personal injury.

The doors should be removed to decrease the weight of the oven and provide a better hand-hold on the oven while lifting it into the cabinet.

- A. To Remove Doors (See Fig. 1)
Use caution! Oven door is heavy.

1. Open door completely.
2. Depress finger tab in oven door hinge area. Push tab toward oven. Lift tab away from door liner and slide toward top of oven door.
3. Repeat step 2 for other side of door.
4. Close door until approximately 5 inches from fully closed position.
5. Slide door off the hinge arm assemblies.
6. Repeat steps 1 through 5 for other door on double ovens.

BE SURE THAT PHENOLIC SPACERS AT EACH SIDE OF OVEN
ARE IN PLACE TO PROVIDE PROPER AIR FLOW
BETWEEN CABINET AND OVEN.

- B. When oven has been placed into cabinet; install exterior trim, if used, or the bottom trim strip. Where the exterior trim is to be installed on the oven, omit step C and proceed with the instructions supplied with the trim.
- C. The bottom trim strip is placed on lower edge of front frame. This is done by loosening the three screws at the bottom of the front frame. Slide the trim strip under the screw heads until the strip meets the lower corners of the front frame (See Fig. 2). Tighten screws to hold to front frame.

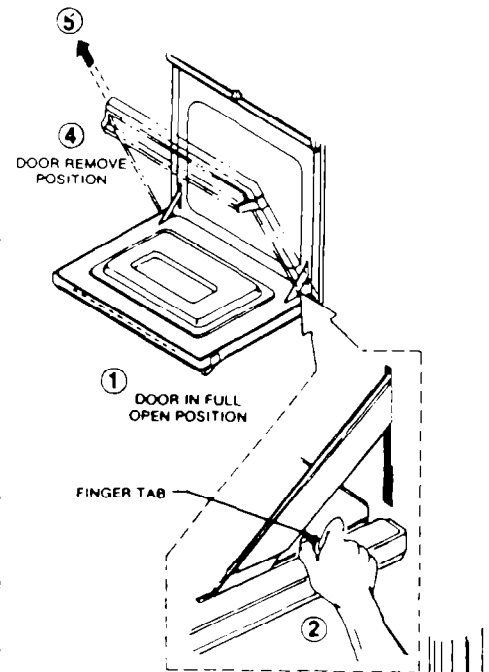


Fig. 1

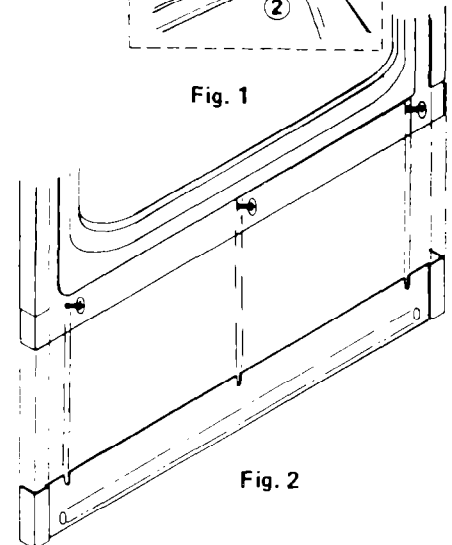


Fig. 2

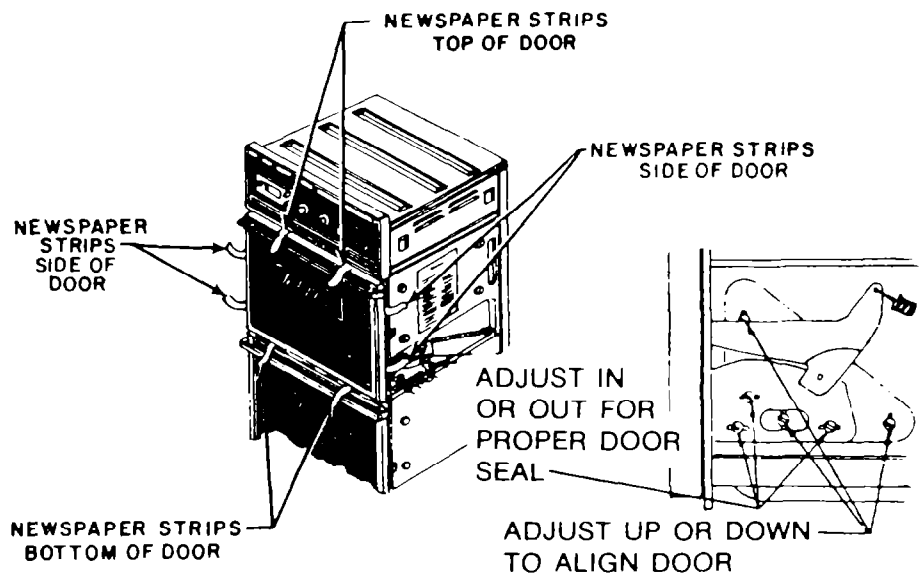
⚠ WARNING

Personal Injury Hazard

Securely fasten wall oven to cabinets using the screws provided (4 screws for a double oven or 2 screws for a single oven). Failure to do so could cause oven to move or tip during use and result in personal injury.

- D. Secure oven to cabinet with #8 screws provided. Do not overtighten screws. Edge of front frame should be parallel to cabinet or front edge of exterior trim. Disregard any excess screws that are left after all screw holes in front frame have been used.
- E. Install unwrapped oven racks in oven.
- F. Reinstall the doors (See Fig. 1).
1. Slide door hinge arms until firmly seated.
 2. Lower door to full open position.
 3. Push finger tabs to back. Depress the tabs and slide forward.
 4. Close and reopen door slowly to make sure it has been replaced properly.
 5. Repeat steps 1 through 4 for other door on double oven.

DOOR ADJUSTMENT CHECK



Place 2" x 18" strips of newspaper in locations indicated by illustration. Allow one end of the paper to extend into the oven cavity. Pull gently at each piece of paper. If door is properly adjusted, each piece of paper will offer firm resistance when pulled. When door is out of adjustment, slide unit out far enough to expose hinges on each side. Loosen screws and move bottom of door to a proper fit. After completing adjustment tighten all screws in hinges.

Specifications Subject to Change Without Notice

Free Manuals Download Website

<http://myh66.com>

<http://usermanuals.us>

<http://www.somanuals.com>

<http://www.4manuals.cc>

<http://www.manual-lib.com>

<http://www.404manual.com>

<http://www.luxmanual.com>

<http://aubethermostatmanual.com>

Golf course search by state

<http://golfingnear.com>

Email search by domain

<http://emailbydomain.com>

Auto manuals search

<http://auto.somanuals.com>

TV manuals search

<http://tv.somanuals.com>