

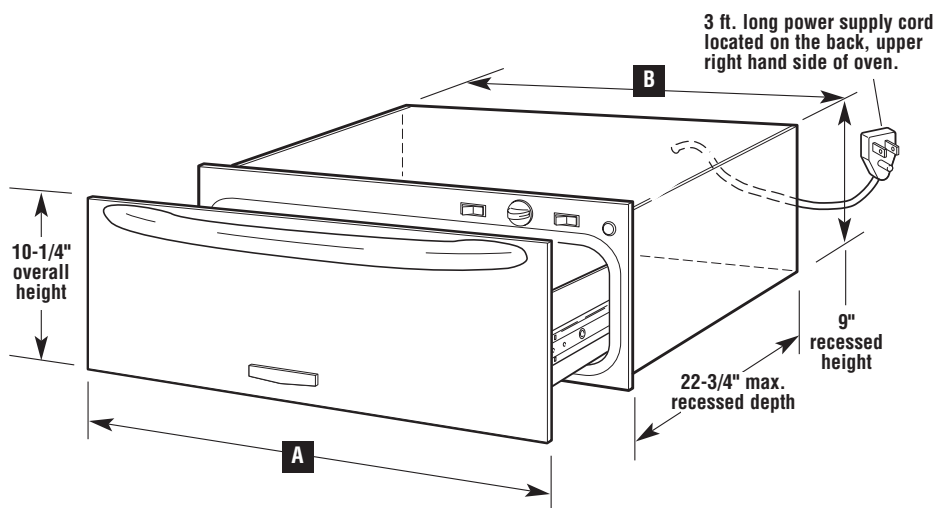
KitchenAid® 27" and 30" Electric Warming Oven

PRODUCT MODEL NUMBERS

KEWD105H
KEWD175H
KEWV105M

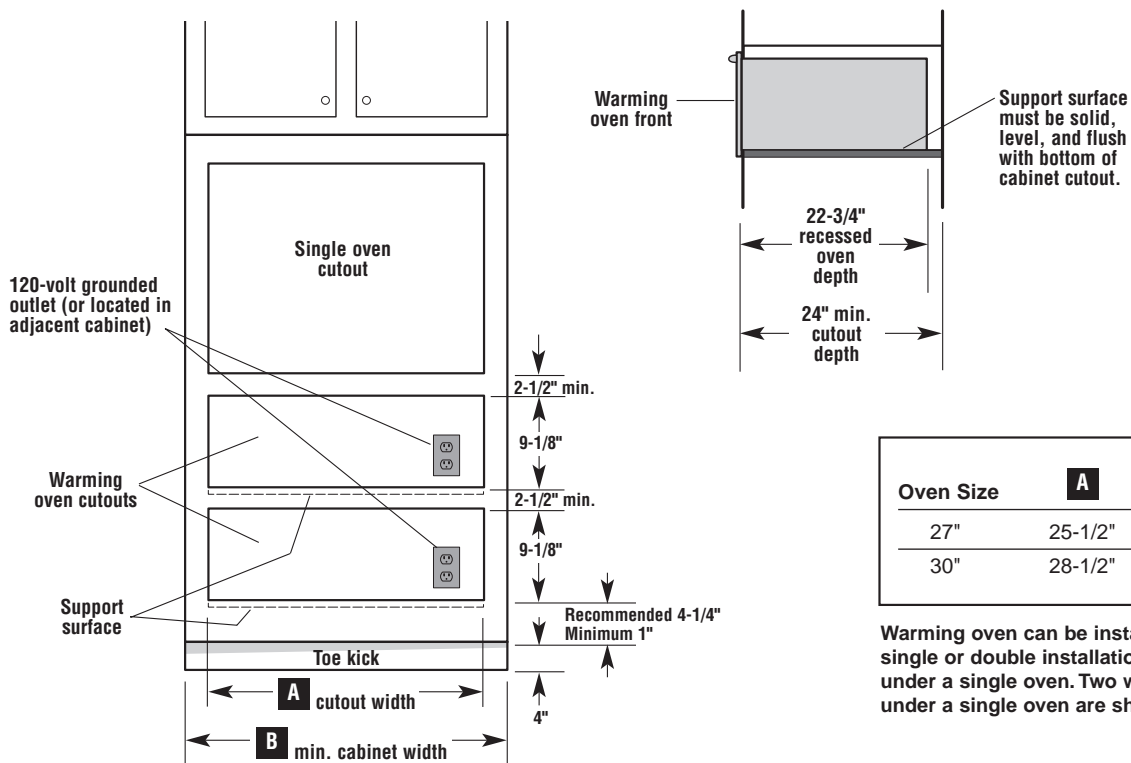
Electrical: 120-volt, 60-Hz, AC-only, 15- or 20-amp. electrical supply. Use copper wire only. A time-delay fuse or circuit breaker and separate circuit is recommended.

OVERALL DIMENSIONS



Oven Size	A Overall Width	B Recessed Width
27"	26-3/4"	25-1/4"
30"	29-3/4"	28-1/4"

CABINET OPENING DIMENSIONS



Oven Size	A	B
27"	25-1/2"	27"
30"	28-1/2"	30"

Warming oven can be installed as a single or double installation or installed under a single oven. Two warming ovens under a single oven are shown.

Free Manuals Download Website

<http://myh66.com>

<http://usermanuals.us>

<http://www.somanuals.com>

<http://www.4manuals.cc>

<http://www.manual-lib.com>

<http://www.404manual.com>

<http://www.luxmanual.com>

<http://aubethermostatmanual.com>

Golf course search by state

<http://golfingnear.com>

Email search by domain

<http://emailbydomain.com>

Auto manuals search

<http://auto.somanuals.com>

TV manuals search

<http://tv.somanuals.com>