

KitchenAid®

OUTDOOR BUILT-IN POWER™ BURNER

Installation Instructions and Use & Care Guide

For questions about features, operation/performance, parts, accessories or service, call: **1-800-422-1230**

or visit our website at www.kitchenaid.com

In Canada, call for assistance, installation and service, call: **1-800-807-6777**

or visit our website at www.KitchenAid.ca

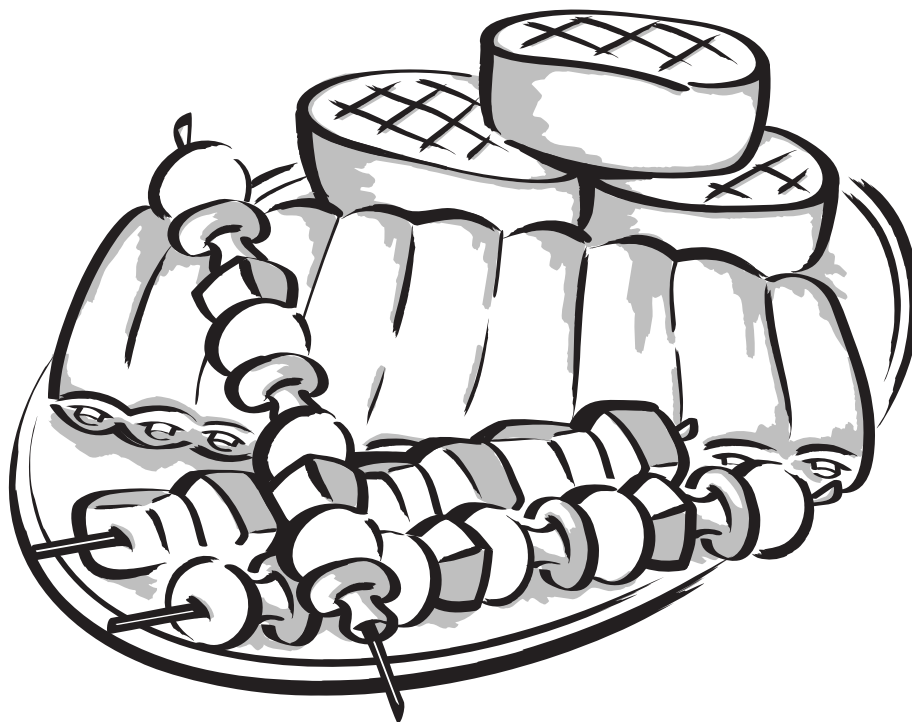
BRÛLEUR ENCASTRÉ POWER™ POUR USAGE EXTÉRIEUR

Instructions d'installation et Guide d'utilisation et d'entretien

Au Canada, pour assistance, installation ou service composez le **1-800-807-6777** ou visitez notre site Web à...

www.KitchenAid.ca

Table of Contents/Table des matières..... 4



IMPORTANT:

Save for local electrical inspector's use.

Installer: Leave installation instructions with the homeowner.

Homeowner: Keep installation instructions for future reference.

IMPORTANT :

À conserver pour consultation par l'inspecteur local des installations électriques.

Installateur : Remettre les instructions d'installation au propriétaire.

Propriétaire : Conserver les instructions d'installation pour référence ultérieure.

Model/Modèle KBPU182VSS

W10243318B

OUTDOOR BUILT-IN POWER™ BURNER SAFETY

Your safety and the safety of others are very important.

We have provided many important safety messages in this manual and on your appliance. Always read and obey all safety messages.



This is the safety alert symbol.

This symbol alerts you to potential hazards that can kill or hurt you and others.

All safety messages will follow the safety alert symbol and either the word "DANGER" or "WARNING."

These words mean:

⚠ DANGER

You can be killed or seriously injured if you don't immediately follow instructions.

⚠ WARNING

You can be killed or seriously injured if you don't follow instructions.

All safety messages will tell you what the potential hazard is, tell you how to reduce the chance of injury, and tell you what can happen if the instructions are not followed.

⚠ DANGER

If you smell gas:

1. Shut off gas to the appliance.
2. Extinguish any open flame.
3. Open lid.
4. If odor continues, keep away from the appliance and immediately call your gas supplier or your fire department.

⚠ WARNING

1. Do not store or use gasoline or other flammable liquids or vapors in the vicinity of this or any other appliance.
2. An LP cylinder not connected for use shall not be stored in the vicinity of this or any other appliance.

State of California Proposition 65 Warnings:

WARNING: This product contains one or more chemicals known to the State of California to cause cancer.

WARNING: This product contains one or more chemicals known to the State of California to cause birth defects or other reproductive harm.

In the State of Massachusetts, the following installation instructions apply:

- Installations and repairs must be performed by a qualified or licensed contractor, plumber, or gasfitter qualified or licensed by the State of Massachusetts.
- If using a ball valve, it shall be a T-handle type.
- A flexible gas connector, when used, must not exceed 3 feet.

IMPORTANT: This Power™ burner is manufactured for outdoor use only. For Power™ burners that are to be used at elevations above 2000 ft (609.6 m) orifice conversion is required. See “Gas Supply Requirements” section. It is the responsibility of the installer to comply with the minimum installation clearances specified on the model/serial rating plate. The model/serial rating plate can be found on the right-hand side panel.

Copies of the standards listed may be obtained from:

National Fire Protection Association
One Batterymarch Park
Quincy, Massachusetts 02269

CSA International
8501 East Pleasant Valley Rd.
Cleveland, Ohio 44131-5575

IMPORTANT SAFETY INSTRUCTIONS

WARNING: To reduce the risk of fire, electrical shock, injury to persons, or damage when using the outdoor cooking gas appliance, follow basic precautions, including the following:

- Do not install portable or built-in outdoor cooking gas appliances in or on a recreational vehicle, portable trailer, boat or in any other moving installation.
 - Always maintain minimum clearances from combustible construction, see “Location Requirements” section.
 - The outdoor cooking gas appliance shall not be located under overhead unprotected combustible construction.
 - This outdoor cooking gas appliance shall be used only outdoors and shall not be used in a building, garage, or any other enclosed area.
 - Keep any electrical supply cord and fuel supply hose away from any heated surfaces.
 - Keep outdoor cooking gas appliance area clear and free from combustible materials, gasoline and other flammable vapors and liquids.
 - Do not obstruct the flow of combustion and ventilation air. Keep the ventilation openings of the cylinder enclosure free and clear from debris.
 - Inspect the gas cylinder supply hose before each use of the outdoor cooking gas appliance. If the hose shows excessive abrasion or wear, or is cut, it **MUST** be replaced before using the outdoor cooking gas appliance. Contact your dealer and use only replacement hoses specified for use with the outdoor cooking gas appliance.
 - Visually check the burner flames. They should be blue. Slight yellow tipping is normal for LP gas.
 - Check and clean burner/venturi tube for insects and insect nest. A clogged tube can lead to fire under the outdoor cooking gas appliance.
 - The LP gas supply cylinder to be used must be:
 - constructed and marked in accordance with the Specification for LP Gas Cylinders of the U.S. Department of Transportation (DOT) or the National Standard of Canada, CAN/CSA-B339, Cylinders, Spheres, and Tubes for Transportation of Dangerous Goods; and Commission.
 - provided with a listed overfilling prevention device.
 - provided with a cylinder connection device compatible with the connection for outdoor cooking gas appliances.
 - Always check connections for leaks each time you connect and disconnect the LP gas supply cylinder. See “Installation Instructions” section.
 - When the outdoor cooking gas appliance is not in use, the gas must be turned off at the supply cylinder.
 - Storage of an outdoor cooking gas appliance indoors is permissible only if the cylinder is disconnected and removed from the outdoor cooking gas appliance.
 - Cylinders must be stored outdoors and out of the reach of children and must not be stored in a building, garage, or any other enclosed area.
 - The pressure regulator and hose assembly supplied with the outdoor cooking gas appliance must be used. A replacement pressure regulator and hose assembly specific to your model is available from your outdoor cooking gas appliance dealer.
 - Gas cylinder must include a collar to protect the cylinder valve.
 - For appliances designed to use a CGA791 Connection: Place a dust cap on cylinder valve outlet whenever the cylinder is not in use. Only install the type of dust cap on the cylinder valve outlet that is provided with the cylinder valve. Other types of caps or plugs may result in leakage of propane.
- If the following information is not followed exactly, a fire causing death or serious injury may occur.
- Do not store a spare LP gas cylinder under or near this outdoor cooking gas appliance.
 - Never fill the cylinder beyond 80 percent full.

SAVE THESE INSTRUCTIONS

TABLE OF CONTENTS

OUTDOOR BUILT-IN POWER™ BURNER SAFETY	2
INSTALLATION REQUIREMENTS	5
Tools and Parts	5
Location Requirements	5
Product Dimensions	5
Cabinet Dimensions	6
Electrical Requirements	9
Gas Supply Requirements	9
Gas Connection Requirements.....	10
INSTALLATION INSTRUCTIONS	11
Built-in Outdoor Power™ Burner Installation	11
Install Tank Tray for 20 lb LP Gas Fuel Tank.....	11
GAS CONVERSIONS	15
Tools and Parts for Gas Conversion.....	15
Conversion to a Local LP Gas Supply.....	15
Conversion from LP Gas to Natural Gas	16
Check and Adjust the Burners.....	18
USING YOUR OUTDOOR POWER™ BURNER	19
Power™ Burner Use	19
Lighting Your Power™ Burner	20
OUTDOOR POWER™ BURNER CARE	21
General Cleaning.....	21
TROUBLESHOOTING	22
ASSISTANCE OR SERVICE	22
In the U.S.A.	22
Accessories	22
In Canada	22
WARRANTY	23

TABLE DES MATIÈRES

SÉCURITÉ DU BRÛLEUR D'EXTÉRIEUR ENCASTRÉ POWER™	25
EXIGENCES D'INSTALLATION	27
Outillage et pièces	27
Exigences d'emplacement.....	27
Dimensions du produit	27
Dimensions du placard	27
Spécifications électriques	31
Spécifications de l'alimentation en gaz	31
Exigences concernant le raccordement au gaz	32
INSTRUCTIONS D'INSTALLATION	33
Installation du brûleur d'extérieur encastré Power™	33
Installation du chariot de bouteille de gaz +propane de 20 lb	34
CONVERSIONS DE GAZ	38
Outillage et pièces pour la conversion de gaz.....	38
Conversion au gaz propane local	38
Conversion du gaz propane au gaz naturel.....	39
Contrôle et réglage des brûleurs.....	41
UTILISATION DU BRÛLEUR POWER™ D'EXTÉRIEUR	42
Utilisation du brûleur Power™	42
Allumage du brûleur Power™	43
ENTRETIEN DU BRÛLEUR POWER™ D'EXTÉRIEUR	44
Nettoyage général	44
DÉPANNAGE	45
ASSISTANCE OU SERVICE	45
Accessoires	45
Au Canada	45
GARANTIE	46

INSTALLATION REQUIREMENTS

Tools and Parts

Gather the required tools and parts before starting installation. Read and follow the instructions provided with any tools listed here.

Tools Needed

- Tape measure
- Small, flat-blade screwdriver
- Flat-blade screwdriver
- #2 and #3 Phillips screwdriver
- Level
- Wrench or pliers
- Pipe wrench
- Scissors or cutting pliers (to remove tiedowns)
- Noncorrosive leak-detection solution

Parts Supplied

- Gas pressure regulator/hose assembly set for 11" (28 cm) WCP LP gas (attached to manifold)
- 1 single-prong plug transformer assembly
- Convertible regulator set for 4" (10.2 cm) WCP Natural gas
- Orifices for Natural gas conversion
- LP gas fuel tank tray

Parts Needed

- 20 lb LP gas fuel tank - approximately 18" (45.7 cm) height and 12" (30.5 cm) diameter

Location Requirements

Select a location that provides minimum exposure to wind and traffic paths. The location should be away from strong draft areas.

Do not obstruct flow of combustion and ventilation air.

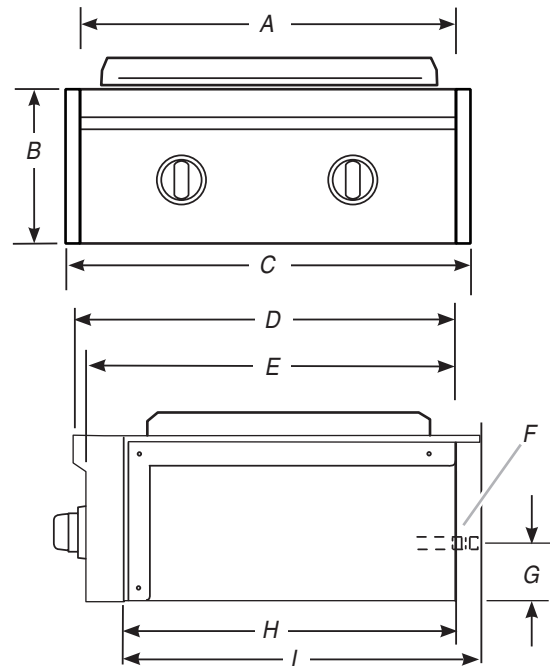
Clearance to combustible construction for built-in outdoor Power™ burners:

- A minimum of 24" (58 cm) must be maintained between the sides and back and any combustible construction.
- A zero clearance may be maintained below the cooking surface and any combustible construction.

Ignition

A grounded, 3-prong outdoor GFI outlet is to be located inside the island cabinet and to the left of the Power™ burner. See "Electrical Requirements" section.

Product Dimensions



- | | |
|---|--|
| A. 18 ⁷ / ₈ " (47.9 cm) | F. Manifold pipe |
| B. 10 ⁵ / ₈ " (27.0 cm) | G. 3 ¹ / ₄ " (8.3 cm) |
| C. 22 ⁷ / ₈ " (58.1 cm) | H. 19 ¹ / ₁₆ " (50.0 cm) |
| D. 23 ⁵ / ₈ " (60.0 cm) | I. 20 ¹ / ₁₆ " (53.2 cm) |
| E. 22 ¹ / ₄ " (56.5 cm) | |

Built-In Outdoor Power™ Burner Enclosure

This built-in outdoor Power™ burner is for installation in a built-in enclosure constructed of combustible and noncombustible materials. Some types of noncombustible materials could be brick, firewall or steel. Some types of combustible materials could be wood or laminate.

The enclosure for the built-in outdoor Power™ burner is to be a minimum of 11" (28.0 cm) high x 20" (50.8 cm) deep x 19" (48.6 cm) wide.

Cabinet Dimensions

Counter or support surfaces must be level.

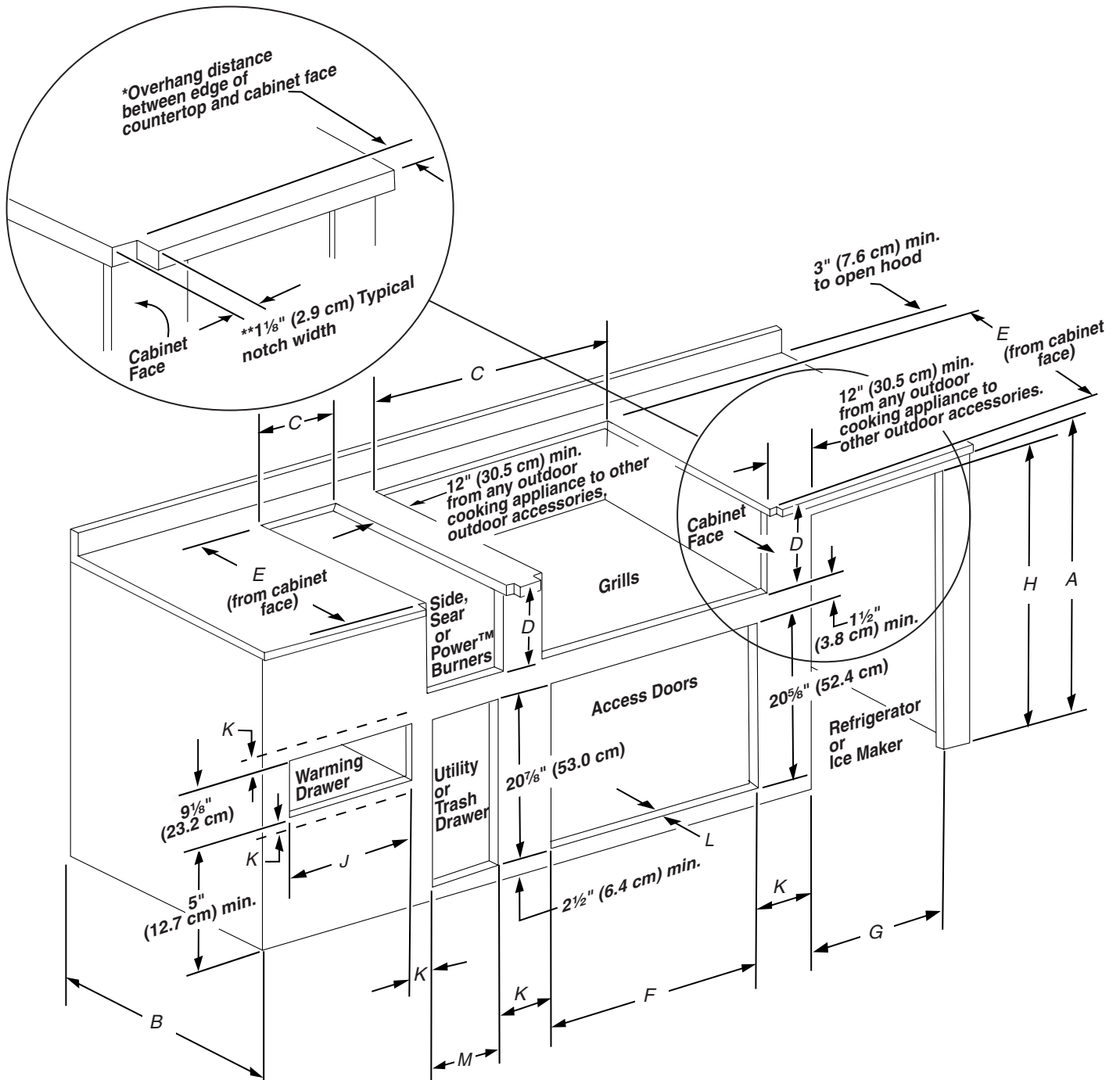
The installation of this Power™ burner must conform with local codes or, in the absence of local codes, with either the National Fuel Gas Code, ANSI Z223.1/NPFA 54, Natural Gas and Propane Installation Code, CSA B149.1, or Propane Storage and Handling Code, B149.2.

Copies of the standards listed may be obtained from:
 CSA International
 8501 East Pleasant Valley Rd.
 Cleveland, Ohio 44131-5575

NOTE: The outdoor Power™ burner drops into the enclosure opening and is supported by its side flanges. No bottom support is needed.

The following dimension chart and illustration include cutout dimensions and minimum spacing requirements for all built-in outdoor products. The illustration is for reference. The design of your cabinet layout can be personalized, but the dimensions for the cutouts and minimum spacing must be followed.

***NOTE:** Maintain a minimum 3/4" (1.9 cm) countertop overhang from the door/drawer mounting surface to help keep water runoff from the countertop out of the door or drawer.



**Each corner of countertop cutouts for built-in grill, side burner, sear burner, Power™ burner and refreshment center.

Minimum Spacing Requirement Between Cutouts - Dimension K

Between 2 or more sets of Access Doors adjacent to each other:

K = 14" (35.6 cm) when 2 adjacent doors are opened to 90 degrees

K = 8" (20.3 cm) when 1 of the adjacent doors is opened to 90 degrees

Between a set of Access Doors and a Trash Drawer, Utility Drawer, Warming Drawer, Refrigerator, or Ice Maker:

K = 8" (20.3 cm) when 1 of the adjacent doors is opened to 90 degrees

Between a Trash Drawer, Utility Drawer, or Warming Drawer:

K = 3" (7.6 cm)

Cabinet Height and Depth Dimensions

	Dimension A Minimum	Dimension B Minimum
With outdoor refrigerator	37" (94.0 cm)	26" (66.0 cm)
Grill with insulated jacket	36½" (92.7 cm)	27" (68.6 cm)
Grill without insulated jacket	35½" (90.2 cm)	26" (66.0 cm)

Cutout Dimensions - Built-in Grill

Grill Size	Dimension C	Dimension D	Dimension E
27" (68.6 cm)	29⅝" (75.2 cm)	10¾" (27.3 cm)	22⅞" (58.1 cm)
36" (91.4 cm)	38⅝" (98.1 cm)	10¾" (27.3 cm)	22⅞" (58.1 cm)
48" (121.9 cm)	50⅝" (128.6 cm)	10¾" (27.3 cm)	22⅞" (58.1 cm)

Cutout Dimensions - Built-in Grill with Insulated Jacket

Grill Size	Dimension C	Dimension D	Dimension E
27" (68.6 cm)	33" (83.8 cm)	11¾" (29.8 cm)	24" (61.0 cm)
36" (91.4 cm)	42" (106.7 cm)	11¾" (29.8 cm)	24" (61.0 cm)
48" (121.9 cm)	54" (137.2 cm)	11¾" (29.8 cm)	24" (61.0 cm)

Cutout Dimensions - Built-in Power™ Burner

	Dimension C	Dimension D	Dimension E
	19⅜" (49.2 cm)	10¾" (27.3 cm)	19¾" (50.2 cm)

Cutout Dimensions - Built-in Side Burner

Burner Position	Dimension C	Dimension D	Dimension E
Front to Back	13½" (34.3 cm)	10¾" (27.3 cm)	22⅝" (57.5 cm)
Side by Side	24½" (62.2 cm)	10¾" (27.3 cm)	16⅞" (42.9 cm)

Cutout Dimensions - Built-in Sear Burner

	Dimension C	Dimension D	Dimension E
	13½" (34.3 cm)	10⅝" (27.0 cm)	22⅞" (57.6 cm)

Cutout Dimensions - Built-in Refreshment Center

Dimension C	Dimension D	Dimension E
30½" (77.5 cm)	10¾" (27.3 cm)	23" (58.4 cm)

Cutout Dimensions - Built-in Access Doors

Door Size	Dimension F	Dimension L*
18" (45.7 cm)	16¾" (41.1 cm)	1½" (3.8 cm)
27" (68.6 cm)	25½" (63.8 cm)	1½" (3.8 cm)
30" (76.2 cm)	28½" (71.4 cm)	1½" (3.8 cm)
36" (91.4 cm)	34½" (86.7 cm)	1½" (3.8 cm)
48" (121.9 cm)	46½" (117.2 cm)	1½" (3.8 cm)

*Dimension L is the minimum mounting surface area around the opening for mounting the optional door or drawers.

Cutout Dimensions - Outdoor Refrigerator

Dimension G	Dimension H
24" (61.0 cm)	35¼" (89.5 cm)

Cutout Dimensions - Outdoor Ice Maker

Dimension G	Dimension H
18" (45.7 cm)	34" (86.4 cm) min. to 34½" (87.6 cm) max.

Cutout Dimensions - Built-in Warming Drawer

Warming Drawer Size	Dimension J
24" (61.0 cm)	22½" (57.2 cm)

Cutout Dimensions - Built-in Utility Drawer and Built-in Trash Drawer

Dimension M	Dimension L*
12¼" (31.1 cm)	1½" (3.8 cm)

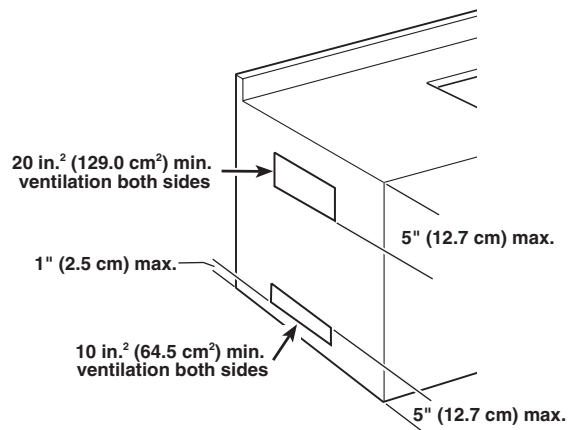
*Dimension L is the minimum mounting surface area around the opening for mounting the optional door or drawers.

Built-in Outdoor Grill Enclosure Ventilation for LP Gas:

An enclosure for an LP gas fuel tank is to be ventilated by openings at both the top and lower levels of the enclosure.

If converting to LP gas, these vents are to be in the enclosure:

An enclosure for use with an LP gas fuel tank for built-in installation is to have at least one ventilation opening on an exposed exterior side located within 5" (12.7 cm) of the top is to be a minimum of 20 in.² (129.0 cm²). One ventilation opening within 1" (2.5 cm) of the bottom of the enclosure and the bottom opening is to be a minimum of 10 in.² (64.5 cm²). All vent openings are to be unobstructed. Every opening is to be a minimum of ½" (0.32 cm) wide.



Electrical Requirements

⚠ WARNING



Electrical Shock Hazard

Plug into a grounded 3 prong outlet.

Do not remove ground prong.

Do not use an adapter.

Do not use an extension cord.

Failure to follow these instructions can result in death, fire, or electrical shock.

If codes permit and a separate ground wire is used, it is recommended that a qualified electrician determine that the ground path is adequate.

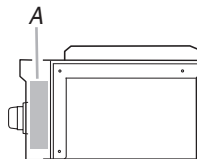
Check with a qualified electrician if you are not sure whether the Power™ burner is properly grounded.

A 120-volt, 60-Hz, AC-only, 15-amp, fused electrical supply is required.

It is recommended that a separate circuit servicing only this Power™ burner be provided.

- To avoid electrical shock, do not immerse cord or plugs in water or other liquid.
- Unplug from the outlet when not in use and before cleaning. Allow to cool before putting on or taking off parts.
- Do not operate any outdoor cooking gas appliance with a damaged cord, damaged plug, or after the appliance malfunctions or has been damaged in any manner. Contact the manufacturer for repair.
- Do not let the cord hang over the edge of a table or touch hot surfaces.
- Do not use an outdoor cooking appliance for purposes other than intended.
- When connecting, first connect plug to the outdoor cooking gas appliance then plug appliance into the outlet.
- Use only a Ground Fault Interrupter (GFI) protected circuit with this outdoor cooking gas appliance.
- Do not remove the ground prong or use with an adapter of 2 prongs.

The model/serial number rating plate is located on the right-hand side panel. See the following illustration.



A. Model/serial number plate

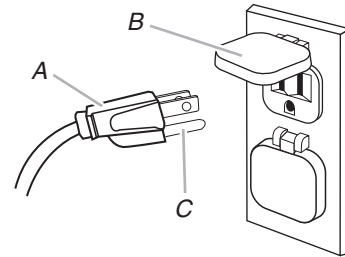
Recommended Ground Method

The outdoor Power™ burner, when installed, must be electrically grounded in accordance with local codes or, in the absence of local codes, with the National Electrical Code ANSI/NFPA 70, or Canadian Electrical Code, CSA C22.1.

Copies of the standards listed above may be obtained from:

CSA International
8501 East Pleasant Valley Rd.
Cleveland, Ohio 44131-5575

National Fire Protection Association
One Batterymarch Park
Quincy, Massachusetts 02269



A. 3 prong ground plug

B. 3-prong polarized type outdoor GFI outlet

C. Ground prong

Gas Supply Requirements

⚠ WARNING



Explosion Hazard

Use a new CSA International approved “outdoor” gas supply line.

Securely tighten all gas connections.

If connected to LP, have a qualified person make sure gas pressure does not exceed 11” (28 cm) water column.

Examples of a qualified person include:

**licensed heating personnel,
authorized gas company personnel, and
authorized service personnel.**

Failure to do so can result in death, explosion, or fire.

Observe all governing codes and ordinances.

IMPORTANT: This installation must conform with all local codes and ordinances. In the absence of local codes, installation must conform with American National Standard, National Fuel Gas Code ANSI Z223.1 - latest edition or CAN/CGA B149.1 - latest edition.

IMPORTANT: The Power™ burner must be connected to a regulated gas supply.

Refer to the model/serial rating plate for information on the type of gas that can be used. If this information does not agree with the type of gas available, check with your local gas supplier.

Gas Conversion:

No attempt shall be made to convert the Power™ burner from the gas specified on the model/serial rating plate for use with a different gas type without consulting the serving gas supplier. The conversion kits supplied with the Power™ burner must be used. See "Gas Conversions" section for instructions.

Gas Pressure Regulator

The gas pressure regulator supplied with this Power™ burner must be used. The inlet (supply) pressure to the regulator should be as follows for proper operation:

LP Gas:

Set pressure: 11" (28 cm) WCP

Inlet (supply) pressure: 11" to 14" (28 cm to 35.5 cm) WCP

Natural Gas:

Set pressure: 4" (10.2 cm) WCP

Inlet (supply) pressure: 7" to 14" (17.8 cm to 35.5 cm)

WCP maximum.

Contact local gas supplier if you are not sure about the inlet (supply) pressure.

Burner Requirements for High Altitude

Input ratings shown on the model/serial rating plate are for elevations up to 2,000 ft (609.6 m).

For elevations above 2,000 ft (609.6 m), ratings are reduced at a rate of 4% for each 1,000 ft (304.8 m) above sea level. Orifice conversion is required. See "Assistance or Service" section to order.

Gas Supply Line Pressure Testing

Testing above ½ psi (3.5 kPa) or 14" (35.5 cm) WCP (gauge):

The Power™ burner and its individual shutoff valve must be disconnected from the gas supply piping system during any pressure testing of that system at test pressures greater than ½ psi (3.5 kPa).

Testing below ½ psi (3.5 kPa) or 14" (35.5 cm) WCP (gauge) or lower:

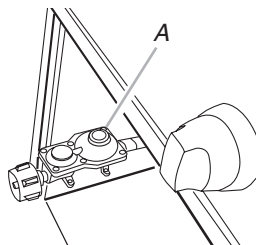
The Power™ burner must be isolated from the gas supply piping system by closing its individual manual shutoff valve during any pressure testing of the gas supply piping system at test pressures equal to or less than ½ psi (3.5 kPa).

Gas Connection Requirements

20 lb LP Gas Fuel Tank

This Power™ burner is equipped for use with a 20 lb LP gas fuel tank (fuel tank not supplied). A gas pressure regulator/hose assembly is supplied.

It is also design-certified by CSA International for local LP gas supply or for Natural gas with appropriate conversion.

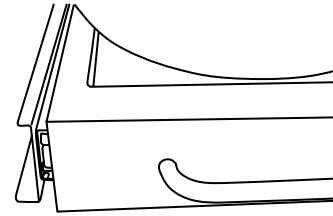


A. Gas pressure regulator/hose assembly

The 20 lb LP gas fuel tank must be mounted and secured.

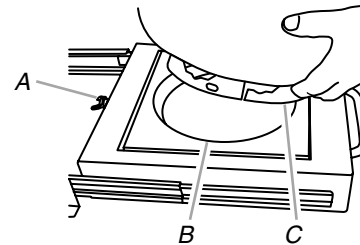
Door Style Tank Tray

1. Open cabinet doors.
2. Pull out the tank tray.



Tank tray

3. Place the 20 lb LP gas fuel tank bottom collar into the mounting hole in the tank tray.
4. Tighten the locking screw against the bottom collar of the 20 lb LP gas fuel tank to secure.



A. Locking screw
B. Mounting hole
C. Bottom collar

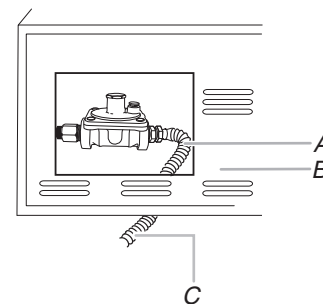
5. Slide tank tray back into the cabinet.
6. Close cabinet doors.

Local LP Gas Supply Conversion

Conversion must be made by a qualified gas technician. The qualified gas technician shall provide the gas supply to the selected Power™ burner location in accordance with the National Fuel Gas Code ANSI Z223.1/NFPA 54 - latest edition, and local codes. For conversion to local LP, the convertible regulator in the conversion kit supplied with the Power™ burner must be used.

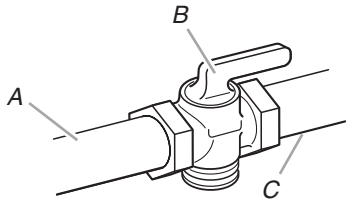
IMPORTANT: The gas installation must conform with local codes, or in the absence of local codes, with the National Fuel Gas Code, ANSI Z223.1/NFPA 54 - latest edition. The qualified LP gas technician shall provide the LP gas supply to the selected Power™ burner location in accordance with the National Fuel Gas Code, ANSI Z223.1/NFPA 54 and local codes.

Follow instructions for converting to local LP gas in the "Gas Conversions" section.



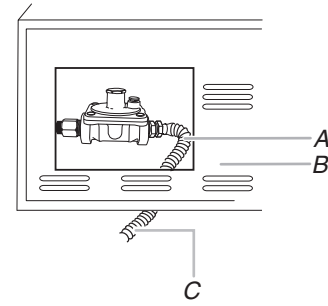
A. New CSA International approved "outdoor" flexible gas supply line
B. Rear of Power™ burner
C. To local LP gas supply

The gas supply line shall be equipped with an approved shutoff valve. This valve should be located in the same area as the Power™ burner and should be in a location that allows ease of opening and closing. Do not block access to the shutoff valve. The valve is for turning on or shutting off gas to the Power™ burner.



A. Gas supply line
B. Shutoff valve "open" position
C. To Power™ burner

Follow instructions for converting to Natural gas in the "Gas Conversions" section.



A. New CSA International approved "outdoor" flexible gas supply line
B. Rear of Power™ burner
C. To Natural gas supply

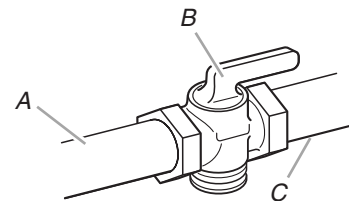
Natural Gas Conversion

Conversion must be made by a qualified gas technician. The qualified Natural gas technician shall provide the Natural gas supply to the selected Power™ burner location in accordance with the National Fuel Gas Code ANSI Z223.1/NFPA 54 - latest edition, and local codes. For conversion to Natural gas, the Natural gas conversion kit supplied with the Power™ burner must be used.

IMPORTANT: The gas installation must conform with local codes, or in the absence of local codes, with the National Fuel Gas Code, ANSI Z223.1/NFPA 54 - latest edition.

To convert to Natural gas, the Natural Gas Conversion Kit supplied with the Power™ burner must be used.

The gas supply line shall be equipped with an approved shutoff valve. This valve should be located in the same area as the Power™ burner and should be in a location that allows ease of opening and closing. Do not block access to the shutoff valve. The valve is for turning on or shutting off gas to the Power™ burner.



A. Gas supply line
B. Shutoff valve "open" position
C. To Power™ burner

INSTALLATION INSTRUCTIONS

Built-in Outdoor Power™ Burner Installation

WARNING

Excessive Weight Hazard

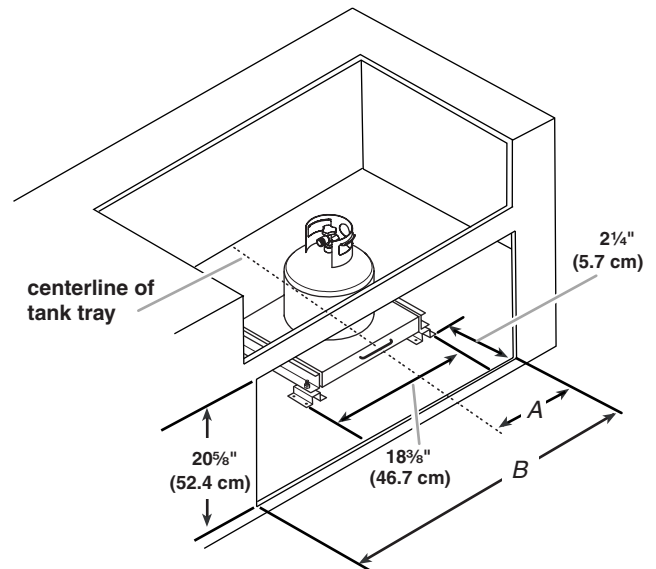
Use two or more people to move and install side burner.

Failure to do so can result in back or other injury.

- Unpack Power™ burner. Remove all packaging materials and remove Power™ burner from carton.
- Place Power™ burner into outdoor enclosure, but leave enough room in back to connect to gas supply and electrical single prong plug-in.

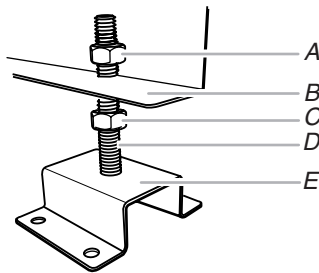
Install Tank Tray for 20 lb LP Gas Fuel Tank

1. Position the tank tray for 20 lb LP gas fuel tank in the island cabinet.



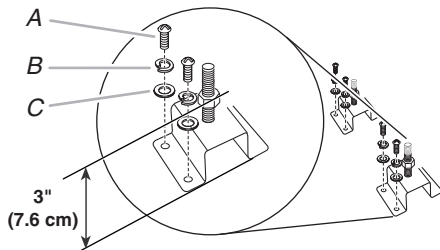
A. 8 3/32" (20.6 cm)
B. 16 3/16" (41.1 cm)

- Square the tank tray mounting brackets and mark the mounting hole locations in the island base.
- Remove the top nuts (4) from the tank tray assembly and lift the tank tray off of the mounting brackets.



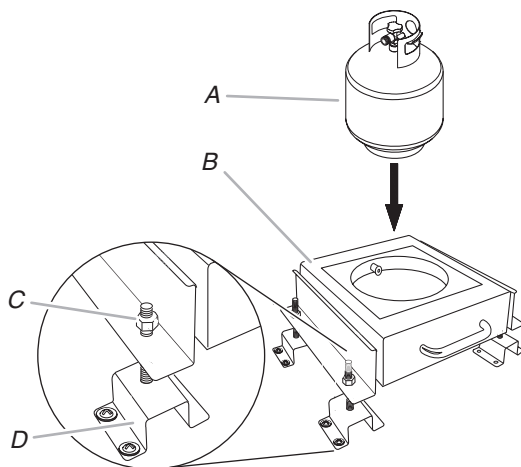
A. Top nut
B. Tank tray
C. Bottom nut
D. Bolt
E. Mounting bracket

- Install the tank tray mounting brackets to the base or floor of the island using the proper size and type of mounting hardware (not supplied). Tighten mounting hardware.



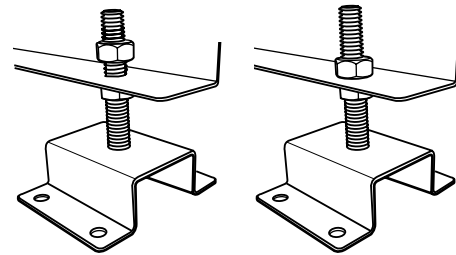
A. Screw (Use proper screw for island floor material.)
B. Lock washer
C. Flat washer

- Pre-adjust each of the bottom nuts on the mounting brackets to 3" (7.6 cm) from the base of the island to the top of the nuts.
- Remount the tank tray back onto the mounting brackets. Replace the 4 top nuts, but do not tighten.



A. 20 lb LP gas fuel tank
B. Tank tray for 20 lb gas fuel tank
C. Top nut (do not tighten)
D. Mounting bracket

- The tank tray for the 20 lb LP gas fuel tank must be adjusted so that the bottom of the tank tray is $\frac{1}{8}$ " (0.32 cm) above the cabinet door opening and is level. The top nut on each of the mounting brackets is to be loose. Turn the bottom nuts counterclockwise to raise the tank tray and turn the bottom nuts clockwise to lower the tank tray. When the tank tray is level and slides in and out without touching the cabinet door opening at the bottom or top with the 20 lb LP tank installed, tighten the top nuts against the adjustment flange.



A. Top nut loosened
B. Top nut tightened

NOTE: A bracket or shelf (not supplied) that is large enough to keep a second 20 lb LP gas fuel tank from being stored in the storage area under the Power™ burner is required to be mounted inside the island.

Make Gas Connection

Gas Connection to a 20 lb LP Gas Fuel Tank

⚠ WARNING



Explosion Hazard

Use a new CSA International approved "outdoor" gas supply line.

Securely tighten all gas connections.

If connected to LP, have a qualified person make sure gas pressure does not exceed 11" (28 cm) water column.

Examples of a qualified person include:

licensed heating personnel,
authorized gas company personnel, and
authorized service personnel.

Failure to do so can result in death, explosion, or fire.

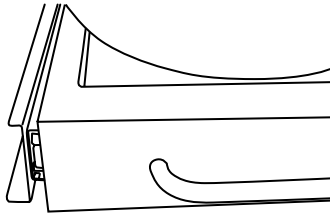
If converting to local LP or Natural gas, follow the instructions in the "Gas Conversions" section.

IMPORTANT: A 20 lb LP gas fuel tank must be purchased separately.

IMPORTANT: The gas pressure regulator/hose assembly supplied with the Power™ burner must be used. Replacement gas pressure regulator/hose assembly specific to your model, is available from your outdoor Power™ burner dealer.

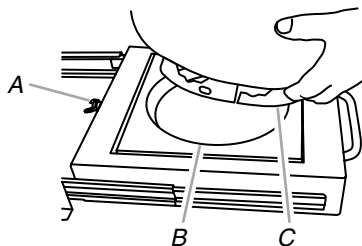
To Install the 20 lb LP Gas Fuel Tank:

1. Open cabinet doors.
2. Pull out the tank tray.



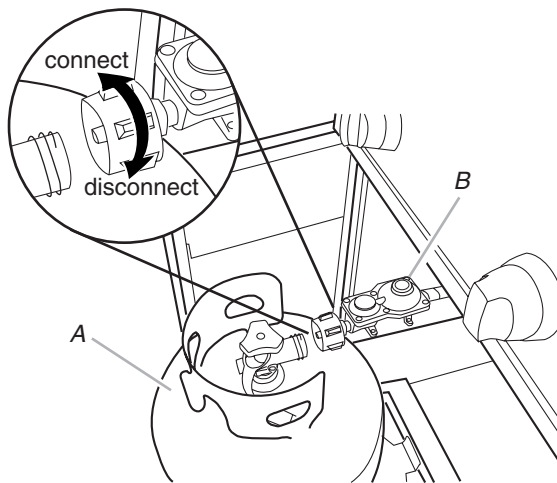
Tank tray

3. Place the 20 lb LP gas fuel tank bottom collar into the mounting hole in the tank tray.
4. Tighten the locking screw against the bottom collar of the 20 lb LP gas fuel tank to secure.



A. Locking screw
B. Mounting hole
C. Bottom collar

5. Screw the gas pressure regulator/hose assembly to the 20 lb LP gas fuel tank as shown. (To disconnect, turn off the gas supply to the 20 lb LP gas fuel tank, then unscrew the gas pressure regulator/hose assembly from the 20 lb LP gas fuel tank as shown.)



A. 20 lb LP gas fuel tank
B. Gas pressure regulator/hose assembly

6. Turn on the gas supply. Wait a few minutes for gas to move through the gas line.
7. Test all connections by brushing on an approved noncorrosive leak-detection solution. Bubbles will show a leak. Correct any leak found.
8. Slide tank tray back into the cabinet.
9. Go to "Plug in Power™ Burner" in this section.

Gas Connection to Natural Gas or Local LP Gas

⚠ WARNING



Explosion Hazard

Use a new CSA International approved "outdoor" gas supply line.

Securely tighten all gas connections.

If connected to LP, have a qualified person make sure gas pressure does not exceed 11" (28 cm) water column.

Examples of a qualified person include:
licensed heating personnel,
authorized gas company personnel, and
authorized service personnel.

Failure to do so can result in death, explosion, or fire.

This installation must conform with local codes and ordinances. In the absence of local codes, installations must conform with either the National Fuel Gas Code ANSI Z223.1 - latest edition, or CAN/CGA-B149.1 Natural Gas and Propane installation code.

Copies of the standards listed above may be obtained from:

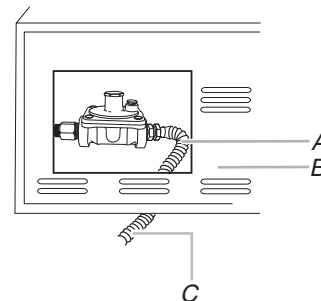
CSA International
8501 East Pleasant Valley Rd.
Cleveland, Ohio 44131-5575

National Fire Protection Association
One Batterymarch Park
Quincy, Massachusetts 02269

1. Make gas connections.

A combination of pipe fittings must be used to connect the Power™ burner to the existing gas line.

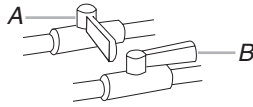
- If local codes permit, use an outdoor flexible stainless steel tubing gas connector, design-certified by CSA International, to connect the Power™ burner to the rigid gas supply line. A 5/8" diameter line is recommended. Using a wrench to tighten, connect the gas supply to the Power™ burner. Use pipe-joint compound on all non-flared male threads. Do not kink or damage the flexible connector when moving the Power™ burner.
- Pipe-joint compounds suitable for use with LP gas must be used. Do not use TEFLON† tape.



A. New CSA International approved "outdoor" flexible gas supply line
B. Rear of Power™ burner
C. To Natural gas or local LP gas supply

†TEFLON is a registered trademark of E.I. Du Pont De Nemours and Company.

- Open the manual shutoff valve in the gas supply line. The valve is open when the handle is parallel to the gas pipe.



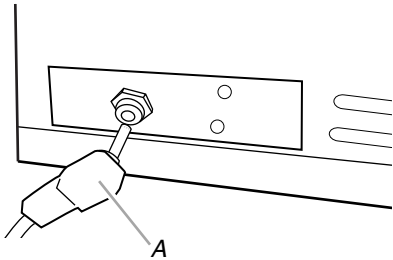
A. Closed valve
B. Open valve

- Test all connections by brushing on an approved noncorrosive leak-detection solution. Bubbles will show a leak. Correct any leak found.

Plug in Power™ Burner

NOTE: This built-in outdoor Power™ burner comes with a large 5000 mAmp power transformer/plug assembly for the Power™ burner igniters. Follow the instructions for plugging in and mounting the power transformer. Keep any electrical supply cord away from any heated surfaces.

- Plug the single-prong plug into the receptacle on the left underside of the Power™ burner.



A. Single-prong plug

- Locate or build a non-combustible surface inside the island cabinet to mount the power transformer. It must be to the left side of the Power™ burner at a minimum of 3" (7.6 cm) from the side and 4" (10.2 cm) below the bottom of the Power™ burner.
- Mount the power transformer to the mounting surface using 4 #8 screws (not supplied) that are the proper type and length for the transformer and the mounting surface. It must be mounted with the wire for the single-prong plug upward or toward the Power™ burner.

NOTE: The cord must be properly mounted with a cord retention device so that its 3-prong plug will not touch the ground when it is unplugged.

- Gently slide the Power™ burner completely into the outdoor enclosure.

⚠ WARNING



Electrical Shock Hazard

Plug into a grounded 3 prong outlet.

Do not remove ground prong.

Do not use an adapter.

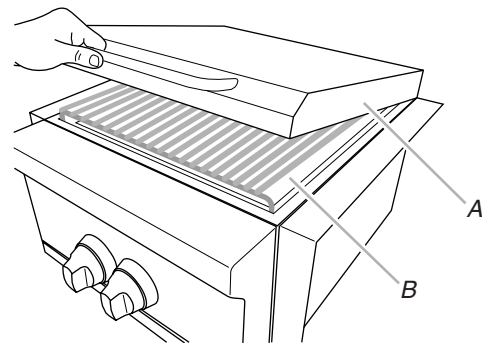
Do not use an extension cord.

Failure to follow these instructions can result in death, fire, or electrical shock.

- Plug 3-prong power cord plug into a grounded 3-prong GFI outlet.
 - To avoid electrical shock, do not immerse cord or plugs in water or other liquid.
 - Unplug from the outlet when not in use and before cleaning. Allow to cool before putting on or taking off parts.
 - Do not operate any outdoor cooking gas appliance with a damaged cord, damaged plug, or after the appliance malfunctions or has been damaged in any manner. Contact the manufacturer for repair.
 - Do not let the cord hang over the edge of a table or touch hot surfaces.
 - Do not use an outdoor cooking appliance for purposes other than intended.
 - When connecting, first connect plug to the outdoor cooking gas appliance then plug appliance into the outlet.
 - Use only a Ground Fault Interrupter (GFI) protected circuit with this outdoor cooking gas appliance.
 - Do not remove the ground prong or use with an adapter of 2 prongs.

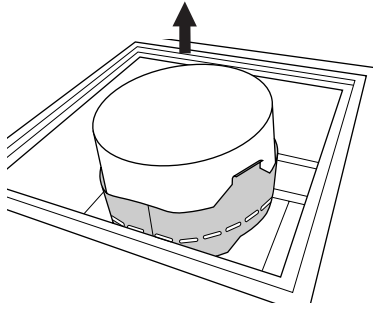
Assemble Cooking Area

- Lift off cover and grate and set aside.



A. Cover
B. Grate

2. Remove packing from around burner.



3. Remove plastic bags from grate and film from cover.
4. Reinstall grate.
5. Dispose of/recycle all packaging materials.
6. Go to the "Check and Adjust the Burners" section.

GAS CONVERSIONS

Tools and Parts for Gas Conversion

Gather the required tools and parts before starting installation. Read and follow the instructions provided with any tools listed here.

Tools needed

- Phillips screwdriver
- Pipe wrench
- Adjustable wrench
- 7 mm socket and wrench or 7 mm nut driver
- Thin flat-blade screwdriver
- Pliers
- Pipe thread sealant certified for LP gas

Parts supplied

- Brass connector
- Convertible regulator 4" (10.2 cm) W.C. Natural, 11" (28 cm) W.C. LP
- Natural gas orifices

IMPORTANT: Gas conversions must be done by a qualified installer. Before proceeding with conversion, shut off the gas supply to the appliance prior to disconnecting the electrical power.

This kit is designed for use from sea level up to 2000 ft elevation. For higher elevations contact KitchenAid at **1-800-422-1230** in the U.S.A. or call **1-800-607-6777** in Canada.

⚠ WARNING



Explosion Hazard

Use a new CSA International approved "outdoor" gas supply line.

Securely tighten all gas connections.

If connected to LP, have a qualified person make sure gas pressure does not exceed 11" (28 cm) water column.

Examples of a qualified person include:

licensed heating personnel,
authorized gas company personnel, and
authorized service personnel.

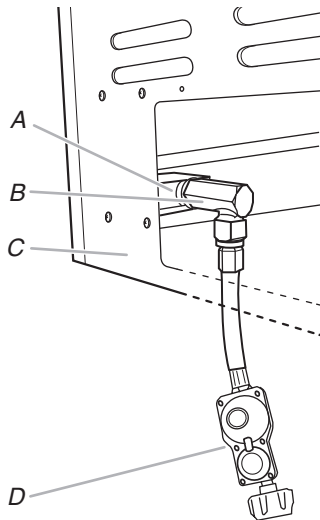
Failure to do so can result in death, explosion, or fire.

Conversion to a Local LP Gas Supply

Installation of the regulator

1. Turn off the main gas supply valve.
2. Unplug Power™ burner or disconnect power.
3. Disconnect 20 lb LP gas fuel tank (if present).
4. Turn off all burner control valves.

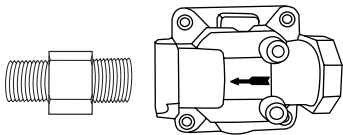
- Use adjustable wrench to remove LP hose regulator from brass elbow. Use adjustable wrench to remove brass elbow.



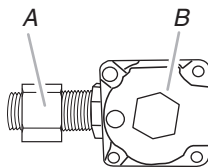
A. Manifold
B. Brass elbow
C. Rear of Power™ burner
D. Gas pressure regulator/hose assembly

- Apply pipe sealant to the threads of the brass connector. Use pipe thread sealant that is certified for use with LP gas.
- Use adjustable wrench to install brass connector (supplied) to manifold fitting.

NOTE: The arrow on the regulator must be pointing toward the brass connector.

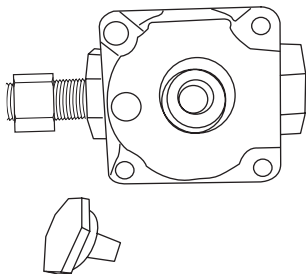


- Use pipe wrench to install the convertible regulator. Brass cap will be facing up when tight.



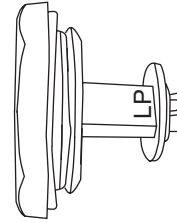
A. Brass connector
B. Convertible regulator

- To set the appliance regulator for LP gas, use adjustable wrench to remove the brass cap on the convertible regulator.



- Examine the stem on the brass cap. The letters "NAT" should be showing on the end of the plastic stem farthest away from the brass cap.

- Remove stem from cap, turn it over and snap stem back into the cap so the letters "LP" are at the end of the stem farthest away from the brass cap.



- Use adjustable wrench to reinstall cap onto regulator.

Make Power™ Burner Connections

Connect Local LP Gas Supply

- Use pipe wrench to connect certified ½" (1.3 cm) gas supply pipe to inlet side of regulator from Fixed LP gas supply according to local codes requirements. Use pipe thread sealant that is certified for use with LP gas at connections where required. There must be a certified manual shutoff valve in the gas supply line near the Power™ burner for easy access.
- Turn on the gas supply to the Power™ burner.
- Test all connections by brushing on an approved noncorrosive leak-detection solution. Bubbles will show a leak. Correct any leaks found.

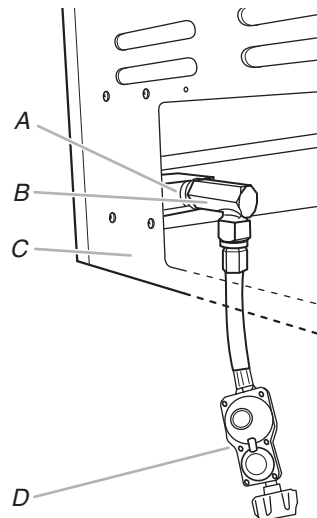
Record Conversion

In the last page of the Use and Care Guide, write "Converted to Local LP Gas Supply." Also record the conversion date and the technician/company that performed the conversion.

Conversion from LP Gas to Natural Gas

Installation of the regulator

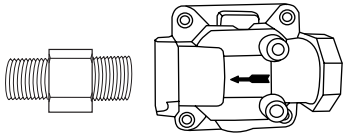
- Turn off the main gas supply valve.
- Unplug Power™ burner or disconnect power.
- Disconnect 20 lb LP gas fuel tank (if present).
- Turn off all burner control valves.
- Use adjustable wrench to remove LP hose regulator from brass elbow. Use adjustable wrench to remove brass elbow.



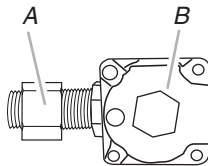
A. Manifold
B. Brass elbow
C. Rear of Power™ burner
D. Gas pressure regulator/hose assembly

6. Apply pipe sealant to the threads of the brass connector. Use pipe thread sealant that is certified for use with LP gas.
7. Use adjustable wrench to install brass connector (supplied) to manifold fitting.

NOTE: The arrow on the regulator must be pointing toward the brass connector.

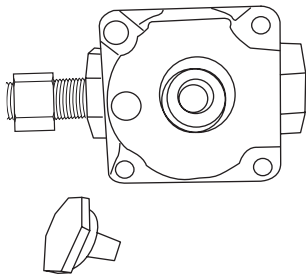


8. Use pipe wrench to install the convertible regulator. Brass cap will be facing up when tight.

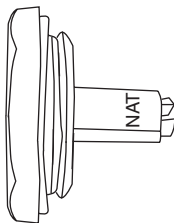


A. Brass elbow
B. Convertible regulator

9. To make sure the regulator is set for Natural gas, use adjustable wrench to remove brass cap on appliance regulator.



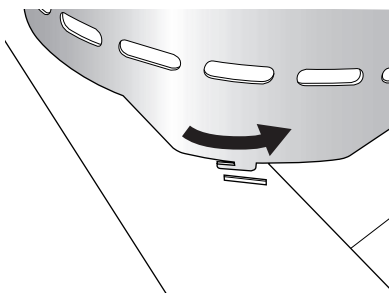
10. Examine the stem on the brass cap. If the letters "NAT" are not showing on the end of the plastic stem farthest away from the brass cap, remove stem from cap, turn it over and snap stem back into the cap so the letters "NAT" are at the end of the stem farthest away from the brass cap.



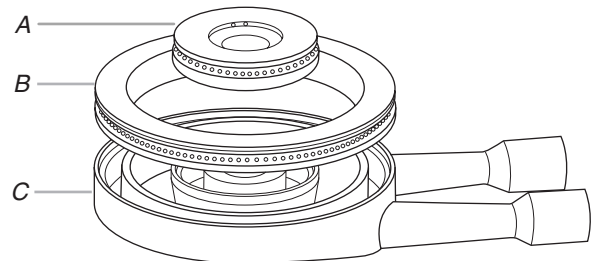
11. Reinstall cap onto convertible regulator.

Change the Power™ burner orifices

1. Remove the Power™ burner grate.
2. Remove the wok ring. Twist counterclockwise, lift, and set aside.

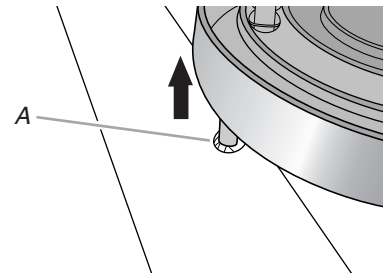


3. Remove inner burner top ring from burner base.
4. Remove outer burner top ring from burner base.



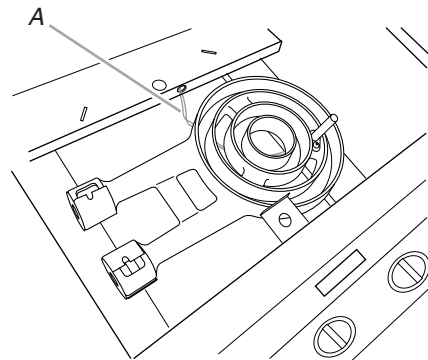
A. Inner burner
B. Outer burner
C. Burner base

5. Remove the burner base.
 - a. Lift rear of burner to remove locator pin from locator hole.



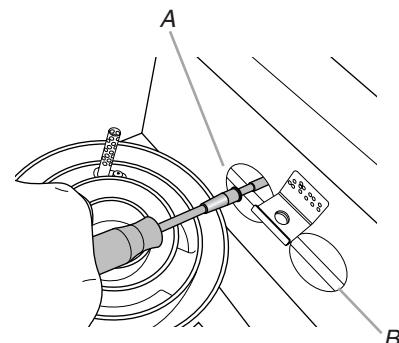
- b. Gently pull the burner base to the rear to disengage the burner from the gas valves and openings.

IMPORTANT: The igniter is connected to the burner base. Make sure the wires do not get pulled from the ignition.
- c. Rotate burner base 90° and place in the bottom of the burner box.



A. Igniter wire

6. Use a 7 mm socket and wrench or 7 mm nut driver to remove the brass orifices from the gas valves.

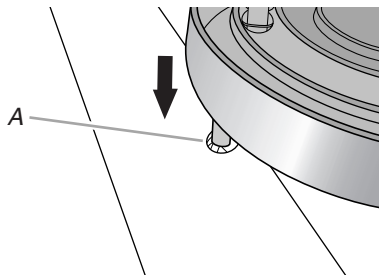


A. Inner burner
B. Outer burner

- Use a 7 mm socket and wrench or 7 mm nut driver to install the new 2.01 mm (inner burner) and 2.87 mm (outer burner) brass orifices supplied with this kit.

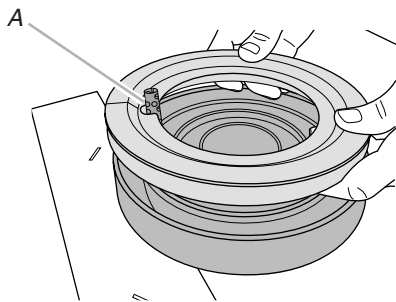
NOTE: The number 2.01 and 2.87 are stamped on the orifices for identification.

- Replace the burner base. Insure the locator pin locks into the locator hole.



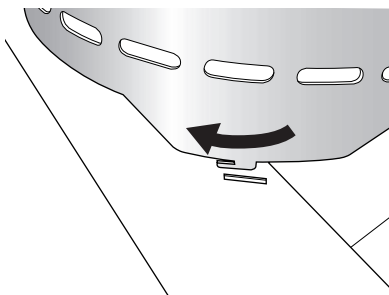
A. Locator pin

- Replace outer burner top ring, locate with the igniter slot over the igniter.



A. Igniter

- Replace inner burner top ring.
- Replace the wok ring, locate the tabs to the slots and twist clockwise to secure.



- Replace burner grate.

Hook up to Natural gas and Leak Test

- Use pipe wrench to connect certified 1/2" (1.3 cm) gas supply pipe to inlet side of regulator from Natural gas supply according to local codes requirements. Use pipe thread sealant that is certified for use with LP gas at connections where required. There must be a certified manual shutoff valve in the gas supply line near the grill for easy access.
- Turn on the gas supply to the grill.
- Test all connections using an approved noncorrosive leak-detection solution. Bubbles will show a leak. Correct any leak found.

Record Conversion

- The appliance nameplate is located on the right-hand side panel. With a permanent marker, check the box next to "Natural gas" and mark through "LP - Propane."

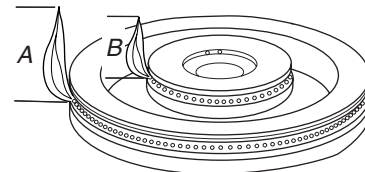
In the last page of the Use and Care Guide, write "Converted to Natural Gas." Also record the conversion date and the technician/company that performed the conversion.

NOTE: Place LP gas parts in plastic parts bag for future use and keep with pack containing literature.

Check and Adjust the Burners

The burners are tested and factory-set for most efficient operation. However, variations in gas supply and other conditions may make minor adjustments to low flame setting necessary.

It is recommended that a qualified person make burner adjustments.

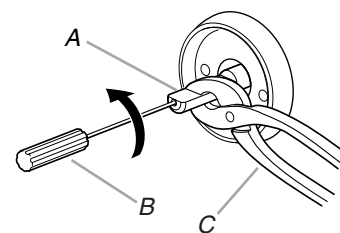


A. 4" (10.2 cm) for outer burner when set to "HI."
B. 3" (7.6 cm) for inner burner when set to HI."

Low Flame Adjustment

If flame goes out on the "LO" setting, the low flame setting must be adjusted.

- Turn off the valve and wait until burners are cool.
- Light Power™ burner using information in the "Outdoor Power™ Burner Use" section.
- Turn burner to its lowest setting and remove knob.
- Hold valve stem with pliers and insert a small flat-blade screwdriver into the shaft.
- Watch the flame and slowly turn the screwdriver counterclockwise.
- Adjust flame to minimum stable flame.



A. Valve stem
B. Small flat-blade screwdriver
C. Pliers

- Replace the control knob and turn off the burner.
- Repeat steps 3 through 7 for each burner if needed.

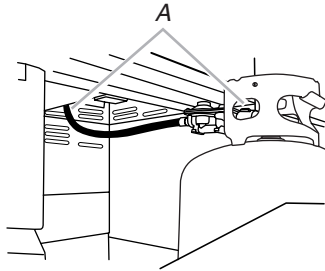
USING YOUR OUTDOOR POWER™ BURNER

Inspect the LP Gas Fuel Tank Supply Hose

Inspect the gas pressure regulator/hose assembly before each use.

1. Open the cabinet door and slide 20 lb LP gas fuel tank out.
2. Inspect the entire gas pressure regulator/hose assembly for cuts, abrasions, or excessive wear.
3. If necessary, replace the gas pressure regulator/hose assembly before using the Power™ burner.

Contact the dealer and use only replacement hoses specified for use with the Power™ burner.



A. Gas pressure regulator/hose assembly

Prepare the Gas Supply

1. Remove outdoor Power™ burner cover.
2. Make sure the control knobs are all turned to the OFF position.

Turn the Gas Supply On

1. For outdoor Power™ burners using a 20 lb LP gas fuel tank: Slowly open the tank valve.
NOTE: If flow limiting device activates, your Power™ burner may not light. If your Power™ burner does light, the flames will be low and will not heat properly. Turn 20 lb LP gas fuel tank valve and all control knobs off and wait 30 seconds. After shutting off the 20 lb LP gas fuel tank, very slowly open tank valve and wait 5 seconds before lighting.
2. For outdoor Power™ burners using gas supply source other than 20 lb LP gas fuel tank: Open the manual shutoff valve in the gas supply line. The valve is open when the handle is parallel to the gas pipe.

Power™ Burner Use

The Power™ Burner, depending on your need, can be used with:

- The inner burner provides lowest amount of heat for cooking smaller quantities of food or liquid using smaller pots and pans.
- The outer burner provides high heat for cooking large quantities of food or liquid using large pots and pans.
- Both inner and outer burners together, provide extra-high heat for cooking extra-large quantities of food or liquid using extra-large pots and pans.

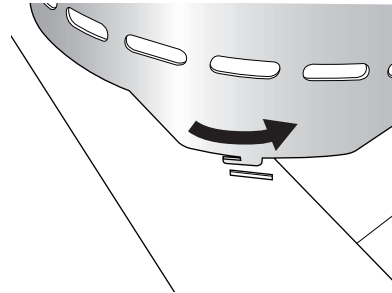
Wok Ring

NOTE: The Power™ burner can be used with or without the wok ring. Without the wok ring, the heat zone expands to the edges of the grate.

IMPORTANT: Before removing the Power™ burner grate, make sure the gas supply is Off, all controls are in the Off position, and the Power™ burner is cool.

To Remove the Wok Ring

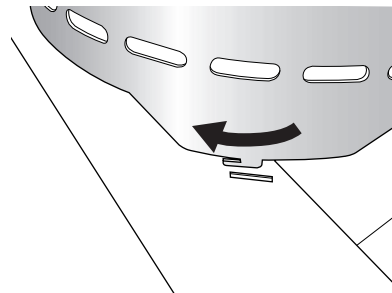
1. Remove the Power™ burner grate.
2. Remove the wok ring. Twist counterclockwise, lift, and set aside for future use with a wok.



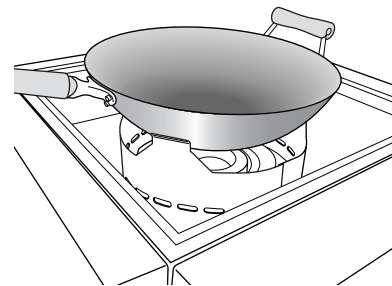
3. Replace burner grate.

To Replace the Wok Ring:

1. Remove the Power™ burner grate and set aside for future use.
2. Set the wok ring into the notches in Power™ burner frame. Twist clockwise to secure.



3. Place wok onto wok ring.



Lighting Your Power™ Burner

! WARNING



Burn Hazard

Do not let the burner flame extend beyond the edge of the pan.

Doing so can result in burns.

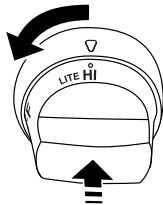
! WARNING

Food Poisoning Hazard

Do not let food sit for more than one hour before or after cooking.

Doing so can result in food poisoning or sickness.

1. Remove the Power™ burner cover. Do not light burners with the cover on.
2. Do not lean over the Power™ burner.
3. Push in and turn the control knob for the inner or outer burner to LITE/Hi and hold in.

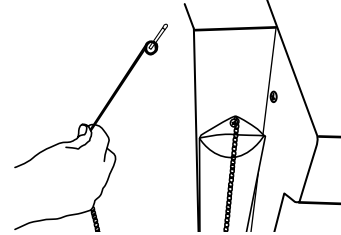


4. You will see the igniter glow. When burner is lit, release the knob. Turn knob to desired setting.
5. Repeat for the other burner as needed.

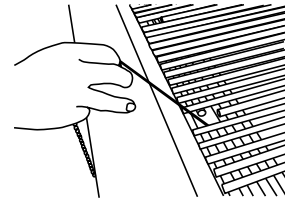
IMPORTANT: If burner does not light immediately, turn the burner knob to OFF and wait 5 minutes before relighting.

Manually lighting the Power™ burner

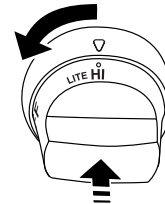
1. Remove the outdoor Power™ burner cover.
2. Remove the manual lighting extension (see following illustration) and attach a match to the split ring.



3. Strike the match to light it.
4. Guide the match to the burner you wish to light.



5. Do not lean over the Power™ burner. Push in and turn the burner knob to LITE/Hi for the burner you wish to light. The burner will light immediately. When burner is lit, turn knob to desired setting.



6. Repeat for each of the other burners as needed.
7. Remove match and replace manual lighting extension inside its holder.

IMPORTANT:

If burner does not light immediately, turn the burner knob to OFF and wait 5 minutes before relighting.

If any burners do not light after attempting to manually light them, contact the KitchenAid Customer eXperience Center. See the "Assistance or Service" section.

OUTDOOR POWER™ BURNER CARE

General Cleaning

IMPORTANT: Before cleaning, make sure all controls are off and the Power™ burner is cool. Always follow label instructions on cleaning products.

For routine cleaning, wash with soap and water using a soft cloth or sponge. Rinse with clean water and dry at once with a soft, lint-free cloth to avoid spots and streaks.

Do not use steel wool to clean the Power™ burner, as it will scratch the surface.

To avoid weather damage to finish, use stainless steel Power™ burner cover.

STAINLESS STEEL

IMPORTANT: To avoid damage to stainless steel surfaces, do not use soap-filled scouring pads, abrasive cleaners, Cooktop Polishing Creme, steel wool, gritty wash cloths or paper towels.

To avoid damage to the finish, cleaners should not contain chlorine.

Food spills should be cleaned as soon as entire Power™ burner is cool. Spills may cause permanent discoloration.

Cleaning Method:

- Rub in direction of grain to avoid scratching or damaging the surface.
- KitchenAid® Stainless Steel Cleaner and Polish Part Number 4396920 (not included) or KitchenAid® Stainless Steel Wipes Part Number 8212510 (not included): See "Assistance or Service" section to order.
- Liquid detergent or all-purpose cleaner:
- Rinse with clean water and dry with soft, lint-free cloth.
- Vinegar to remove hard water spots.
- Glass cleaner to remove fingerprints.

EXTERIOR

The quality of this material resists most stains and pitting, providing that the surface is kept clean, polished and covered.

- Apply stainless steel polish to all non-cooking areas before first use. Reapply after each cleaning to avoid permanent damage to surface.
- Cleaning should always be followed by rinsing with clean warm water.
- Wipe the surface completely dry with a soft cloth.
- For tough spots or baked-on grease, use Kitchen and BBQ Grill Degreaser Part Number 31617, a commercial degreaser designed for stainless steel. See "Assistance or Service" section to order.

INTERIOR

Discoloration of stainless steel on these parts is to be expected, due to intense heat from the burners. Always rub in the direction of the grain. Cleaning should always be followed by rinsing with clean, warm water.

Cleaning Method:

- Liquid detergent or all-purpose cleaner.
- Rinse with clean water and dry completely with a soft, lint-free cloth.
- A heavy-duty scrub sponge can be used with mild cleaning products.
- For small, difficult-to-clean areas, use Kitchen and BBQ Grill Degreaser Part Number 31617, a commercial degreaser designed for stainless steel. See "Assistance or Service" section to order.

POWER™ BURNER CAPS AND GRATE

Cleaning Method:

- Clean with a brass bristle brush.
- Wash grate using mild detergent, warm water and degreaser.
- Rinse with clean water and dry with soft, lint-free cloth.
- KitchenAid® Stainless Steel Cleaner and Polish Part Number 4396920 (not included) or KitchenAid® Stainless Steel Wipes Part Number 8212510 (not included): See "Assistance or Service" section to order.

KNOBS AND FLANGE AREA AROUND KNOBS

IMPORTANT: To avoid damage to knobs or to flange area around knobs, do not use steel wool, abrasive cleaners, or oven cleaner. Do not soak knobs.

Cleaning Method:

- Mild detergent, a soft cloth and warm water.
- Rinse and dry.

CONTROL PANEL GRAPHICS

IMPORTANT: To avoid damage to control panel graphics, do not use steel wool, abrasive cleaners or oven cleaner. Do not spray cleaner directly onto panel.

Cleaning Method:

- Clean around the burner labels gently; scrubbing may remove printing.
- Mild detergent, soft cloth and warm water.
- Rinse and dry.

TROUBLESHOOTING

Try the solutions suggested here first in order to avoid the cost of an unnecessary service call.

Nothing will operate

- **Is the main or regulator gas shutoff valve in the off position?**
See the Installation Instructions.
- **Is the gas supply properly connected?**
Contact a trained repair specialist or see Installation Instructions.

⚠ WARNING



Electrical Shock Hazard

- Plug into a grounded 3 prong outlet.
- Do not remove ground prong.
- Do not use an adapter.
- Do not use an extension cord.
- Failure to follow these instructions can result in death, fire, or electrical shock.

- **Is the power supply cord unplugged?**
Plug into a grounded 3 prong outlet.
- **Has a household fuse blown, or has a circuit breaker tripped?**
Replace the fuse or reset the circuit breaker. If the problem continues, call an electrician.

ASSISTANCE OR SERVICE

Before calling for assistance or service, please check "Troubleshooting." It may save you the cost of a service call. If you still need help, follow the instructions below.

When calling, please know the purchase date and the complete model and serial number of your appliance. This information will help us to better respond to your request.

If you need replacement parts

If you need to order replacement parts, we recommend that you use only factory specified parts. These factory specified parts will fit right and work right because they are made with the same precision used to build every new KITCHENAID® appliance.

To locate factory specified parts in your area, call us or your nearest KitchenAid designated service center.

In the U.S.A.

Call the KitchenAid Customer eXperience Center toll free: **1-800-422-1230**.

Our consultants provide assistance with:

- Features and specifications on our full line of appliances.
- Installation information.
- Use and maintenance procedures.
- Accessory and repair parts sales.
- Specialized customer assistance (Spanish speaking, hearing impaired, limited vision, etc.).
- Referrals to local dealers, repair parts distributors and service companies. KitchenAid designated service technicians are trained to fulfill the product warranty and provide after-warranty service, anywhere in the United States.

To locate the KitchenAid designated service company in your area, you can also look in your telephone directory Yellow Pages.

For further assistance

If you need further assistance, you can write to KitchenAid with any questions or concerns at:

KitchenAid Brand Home Appliances
Customer eXperience Center
553 Benson Road
Benton Harbor, MI 49022-2692

Please include a daytime phone number in your correspondence.

Accessories

Kitchen and BBQ Grill Degreaser

Order Part Number 31617

KitchenAid® Stainless Steel Cleaner and Polish

Order Part Number 4396920

KitchenAid® Stainless Steel Wipes

Order Part Number 8212510

In Canada

Call the KitchenAid Canada Customer eXperience Centre toll free: **1-800-807-6777**.

Our consultants provide assistance with:

- Features and specifications on our full line of appliances.
- Use and maintenance procedures.
- Accessory and repair parts sales.
- Referrals to local dealers, repair parts distributors and service companies. KitchenAid Canada designated service technicians are trained to fulfill the product warranty and provide after-warranty service, anywhere in Canada.

For further assistance

If you need further assistance, you can write to KitchenAid Canada with any questions or concerns at:

Customer eXperience Centre
KitchenAid Canada
200 - 6750 Century Ave.
Mississauga, Ontario L5N 0B7

Please include a daytime phone number in your correspondence.

KITCHENAID® OUTDOOR PRODUCT WARRANTY

LIMITED WARRANTY

For one year from the date of purchase, when this outdoor product is operated and maintained according to instructions attached to or furnished with the product, KitchenAid brand of Whirlpool Corporation or Whirlpool Canada LP (hereafter "KitchenAid") will pay for Factory Specified Parts and repair labor to correct defects in materials or workmanship. Service must be provided by a KitchenAid designated service company. This limited warranty is valid only in the United States or Canada and applies only when the outdoor product is used in the country in which it was purchased. Outside the 50 United States and Canada, this limited warranty does not apply. Proof of original purchase date is required to obtain service under this limited warranty.

SECOND THROUGH FIFTH YEAR LIMITED WARRANTY ON PARTS ON GRILLS ONLY

In the second through fifth years from the date of purchase when this grill is operated and maintained according to instructions attached to or furnished with the product, KitchenAid will pay for Factory Specified Parts to correct defects in materials or workmanship.

LIFETIME LIMITED WARRANTY ON STAINLESS STEEL COMPONENTS ON GRILLS ONLY

For the life of the product, when this grill is operated and maintained according to instructions attached to or furnished with the product, KitchenAid will pay for replacement of the stainless steel body housing due to defective materials or workmanship. For the life of the product, when this grill is operated and maintained according to instructions attached to or furnished with the product, KitchenAid will pay for replacement parts for the stainless steel grill burners.

ITEMS EXCLUDED FROM WARRANTY

This limited warranty does not cover:

1. Service calls to correct the installation of your outdoor product, to instruct you on how to use your outdoor product, to replace or repair house fuses, or to correct house wiring or plumbing.
2. Cosmetic damage, including scratches, dents, chips or other damage to the finish of your outdoor product, unless such damage results from defects in materials or workmanship and is reported to KitchenAid within 30 days from the date of purchase.
3. Repairs when your outdoor product is used for other than normal, single-family household use or when it is used in a manner that is contrary to published user or operator instructions and/or installation instructions.
4. Damage resulting from accident, alteration, misuse, abuse, fire, flood, acts of God, improper installation, installation not in accordance with electrical or plumbing codes, or use of consumables or cleaning products not approved by KitchenAid.
5. Conversion kit or service call for the conversion of your outdoor product from natural gas to L.P./propane or from L.P./propane to natural gas.
6. Costs associated with the removal from your home of your outdoor product for repairs. This outdoor product is designed to be repaired in the home and only in-home service is covered by this warranty.
7. Repairs to parts or systems resulting from unauthorized modifications made to the outdoor product.
8. Expenses for travel and transportation for product service if your outdoor product is located in a remote area where service by an authorized KitchenAid servicer is not available.
9. The removal and reinstallation of your outdoor product if it is installed in an inaccessible location or is not installed in accordance with published installation instructions.
10. Damage resulting from normal wear and tear of your outdoor product.
11. Outdoor products with original model/serial numbers that have been removed, altered or cannot be easily determined. This warranty is void if the factory applied serial number has been altered or removed from your outdoor product.

The cost of repair or replacement under these excluded circumstances shall be borne by the customer.

DISCLAIMER OF IMPLIED WARRANTIES; LIMITATION OF REMEDIES

CUSTOMER'S SOLE AND EXCLUSIVE REMEDY UNDER THIS LIMITED WARRANTY SHALL BE PRODUCT REPAIR AS PROVIDED HEREIN. IMPLIED WARRANTIES, INCLUDING WARRANTIES OF MERCHANTABILITY OR FITNESS FOR A PARTICULAR PURPOSE, ARE LIMITED TO ONE YEAR OR THE SHORTEST PERIOD ALLOWED BY LAW. KITCHENAID SHALL NOT BE LIABLE FOR INCIDENTAL OR CONSEQUENTIAL DAMAGES. SOME STATES AND PROVINCES DO NOT ALLOW THE EXCLUSION OR LIMITATION OF INCIDENTAL OR CONSEQUENTIAL DAMAGES, OR LIMITATIONS ON THE DURATION OF IMPLIED WARRANTIES OF MERCHANTABILITY OR FITNESS, SO THESE EXCLUSIONS OR LIMITATIONS MAY NOT APPLY TO YOU. THIS WARRANTY GIVES YOU SPECIFIC LEGAL RIGHTS, AND YOU MAY ALSO HAVE OTHER RIGHTS WHICH VARY FROM STATE TO STATE OR PROVINCE TO PROVINCE.

If outside the 50 United States and Canada, contact your authorized KitchenAid dealer to determine if another warranty applies.

If you need service, first see the "Troubleshooting" section of the Use & Care Guide. After checking "Troubleshooting," you may find additional help by checking the "Assistance or Service" section or by calling KitchenAid. In the U.S.A., call **1-800-422-1230**. In Canada, call **1-800-807-6777**.

9/07

Keep this book and your sales slip together for future reference. You must provide proof of purchase or installation date for in-warranty service.

Write down the following information about your major appliance to better help you obtain assistance or service if you ever need it. You will need to know your complete model number and serial number. You can find this information on the model and serial number label located on the product.

Dealer name _____

Address _____

Phone number _____

Model number _____

Serial number _____

Purchase date _____

SÉCURITÉ DU BRÛLEUR D'EXTÉRIEUR ENCASTRÉ POWER™

Votre sécurité et celle des autres est très importante.

Nous donnons de nombreux messages de sécurité importants dans ce manuel et sur votre appareil ménager. Assurez-vous de toujours lire tous les messages de sécurité et de vous y conformer.



Voici le symbole d'alerte de sécurité.

Ce symbole d'alerte de sécurité vous signale les dangers potentiels de décès et de blessures graves à vous et à d'autres.

Tous les messages de sécurité suivront le symbole d'alerte de sécurité et le mot "DANGER" ou "AVERTISSEMENT". Ces mots signifient :

⚠ DANGER

Risque possible de décès ou de blessure grave si vous ne suivez pas immédiatement les instructions.

⚠ AVERTISSEMENT

Risque possible de décès ou de blessure grave si vous ne suivez pas les instructions.

Tous les messages de sécurité vous diront quel est le danger potentiel et vous disent comment réduire le risque de blessure et ce qui peut se produire en cas de non-respect des instructions.

⚠ DANGER

En cas de détection d'une odeur de gaz :

- 1. Fermer l'arrivée de gaz de l'appareil.**
- 2. Éteindre toute flamme nue.**
- 3. Ouvrir le couvercle.**
- 4. Si l'odeur persiste, s'éloigner de l'appareil et appeler immédiatement le fournisseur en gaz ou les pompiers.**

⚠ AVERTISSEMENT

- 1. Ne pas remiser ou utiliser de l'essence ou tout autre liquide ou vapeur inflammable à proximité de cet appareil ou de tout autre appareil.**
- 2. Ne pas remiser une bouteille de gaz de pétrole liquéfié non raccordée à proximité de cet appareil ou de tout autre appareil.**

Avertissements de la proposition 65 de l'État de Californie :

AVERTISSEMENT : Ce produit contient au moins un produit chimique connu par l'État de Californie pour être à l'origine de cancers.

AVERTISSEMENT : Ce produit contient au moins un produit chimique connu par l'État de Californie pour être à l'origine de malformations et autres déficiences de naissance.

Dans l'État du Massachusetts, les instructions d'installation suivantes sont applicables :

- Les travaux d'installation et réparation doivent être exécutés par un plombier ou tuyauteur qualifié ou licencié, ou par le personnel qualifié d'une entreprise licenciée par l'État du Massachusetts.
- Si une vanne à boisseau sphérique est utilisée, elle doit comporter une manette "T".
- Si un conduit de raccordement flexible est utilisé, sa longueur ne doit pas dépasser 3 pi.

IMPORTANT : Ce brûleur Power™ est conçu pour un usage à l'extérieur uniquement. Pour les brûleurs Power™ destinés à être utilisés à des altitudes supérieures à 2000 pi (609,6 m), il est nécessaire de convertir le gicleur. Voir la section "Spécifications de l'alimentation en gaz". C'est à l'installateur qu'incombe la responsabilité de respecter les déagements de séparation minimaux, spécifiés sur la plaque signalétique de l'appareil. La plaque signalétique se trouve sur le panneau de droite.

On peut obtenir des exemplaires des normes mentionnées aux adresses suivantes :

National Fire Protection Association
One Batterymarch Park
Quincy, Massachusetts 02269

CSA International
8501 East Pleasant Valley Rd.
Cleveland, Ohio 44131-5575

IMPORTANTES INSTRUCTIONS DE SÉCURITÉ

AVERTISSEMENT : Pour réduire le risque d'incendie, de choc électrique, de blessures corporelles ou de dommages lors de l'utilisation de l'appareil de cuisson à gaz d'extérieur, il convient d'observer certaines précautions fondamentales, notamment :

- Ne pas installer les appareils de cuisson à gaz d'extérieur (portatifs ou encastrés) dans ou sur un véhicule récréatif, une remorque portative, un bateau ou toute autre installation mobile.
- Toujours respecter les distances de séparation minimales entre l'appareil et les constructions combustibles; voir la section "Exigences d'emplacement".
- L'appareil de cuisson à gaz d'extérieur ne doit pas être situé sous une construction combustible non protégée.
- Cet appareil de cuisson à gaz d'extérieur doit être utilisé à l'extérieur uniquement; ne pas l'utiliser dans un bâtiment, un garage ou tout autre endroit clos.
- Conserver le cordon d'alimentation électrique et le tuyau d'alimentation en combustible à l'écart des surfaces chauffées.
- Maintenir la zone de l'appareil de cuisson à gaz d'extérieur à l'abri des matériaux combustibles, essence ou autres vapeurs ou liquides inflammables.
- Ne pas obstruer le flux de combustion et la ventilation. Conserver les ouvertures de ventilation de l'enceinte de la bouteille de gaz libre et dépourvues de débris.
- Inspecter le tuyau d'alimentation de la bouteille de gaz avant chaque utilisation de l'appareil de cuisson à gaz d'extérieur. Si le tuyau présente d'importants signes d'abrasion ou d'usure ou s'il est coupé, il DOIT être remplacé avant toute nouvelle utilisation de l'appareil de cuisson à gaz d'extérieur. Contacter votre marchand et utiliser uniquement les tuyaux de rechange spécifiés pour utilisation avec l'appareil de cuisson à gaz d'extérieur.
- Inspecter visuellement les flammes du brûleur. Elles doivent être bleues. Avec du gaz de pétrole liquéfié, il est normal d'observer une légère pointe jaune.
- Nettoyer le tube du brûleur/de la buse et vérifier l'absence d'insectes ou de nids d'insectes. Un tube obstrué peut entraîner un feu sous l'appareil de cuisson à gaz d'extérieur.

- La bouteille d'alimentation au gaz de pétrole liquéfié utilisée doit être :
 - construite et marquée conformément aux spécifications pour les bouteilles de gaz de pétrole liquéfié du U.S. Department of Transportation (DOT) ou de la Norme nationale du Canada, CAN/CSA-B339, Bouteilles, tubes et autres récipients pour le transport des marchandises dangereuses; et de la Commission.
 - fournie avec un dispositif de prévention de remplissage excessif.
 - fournie avec un dispositif de connexion de la bouteille de gaz compatible avec la connexion pour les appareils de cuisson à gaz d'extérieur.
 - Toujours vérifier les connexions pour identifier des fuites à chaque branchement et débranchement de la bouteille d'alimentation en gaz de pétrole liquéfié. Voir la section "Instructions d'installation".
 - Lorsque l'appareil de cuisson à gaz d'extérieur n'est pas utilisé, l'arrivée de gaz doit être fermée au niveau de la bouteille de gaz.
 - Le remisage d'un appareil de cuisson à gaz d'extérieur est autorisé seulement en cas de débranchement et de retrait de la bouteille de gaz de l'appareil.
 - Les bouteilles de gaz doivent être remises à l'extérieur et hors de portée des enfants; elles ne doivent pas être remises dans un bâtiment, un garage ou tout endroit clos.
 - Il est nécessaire d'utiliser le détendeur et le tuyau fournis avec l'appareil de cuisson à gaz d'extérieur. Un détendeur et un tuyau de rechange spécifiques à votre modèle sont disponibles auprès de votre marchand d'appareils de cuisson à gaz d'extérieur.
 - La bouteille de gaz doit comporter un manchon destiné à protéger le robinet de la bouteille.
 - Pour les appareils conçus pour utiliser une connexion CGA791: Placer un capuchon protecteur sur le robinet de la bouteille de gaz lorsqu'elle n'est pas utilisée. Installer uniquement le type de capuchon protecteur sur le conduit d'évacuation fourni avec la bouteille de gaz. D'autres types de capuchons ou obturateurs pourraient provoquer des fuites de propane.
- Le non-respect des instructions suivantes peut entraîner un incendie causant la mort ou des blessures graves.
- Ne pas remiser une bouteille de gaz de pétrole liquéfié de secours sous l'appareil de cuisson à gaz d'extérieur ou à proximité de celui-ci.
 - Ne jamais remplir la bouteille au-delà de 80 % de sa capacité de remplissage.

CONSERVEZ CES INSTRUCTIONS

EXIGENCES D'INSTALLATION

Outillage et pièces

Rassembler les outils et pièces nécessaires avant de commencer l'installation. Lire et suivre les instructions fournies avec les outils indiqués ici.

Outillage nécessaire

- Mètre ruban
- Petit tournevis à lame plate
- Tournevis à lame plate
- Tournevis Phillips n° 2 et n° 3
- Niveau
- Clé ou pince
- Clé à tuyauterie
- Ciseaux ou pince coupante (pour couper les attaches)
- Solution non corrosive de détection des fuites

Pièces fournies

- Ensemble détendeur/tuyau de raccordement, pour gaz propane sous pression de 11" (28 cm) (colonne d'eau) (raccordement à la tubulure de distribution).
- 1 ensemble transformateur avec prise à une broche
- Détendeur convertible pour gaz naturel sous pression de 4" (10,2 cm) (colonne d'eau)
- Ensemble de conversion au gaz naturel
- Chariot pour bouteille de propane

Pièces nécessaires

- Bouteille de gaz propane de 20 lb – environ 18" (45,7 cm) de hauteur et 12" (30,5 cm) de diamètre

Exigences d'emplacement

Sélectionner un emplacement où l'exposition au vent est faible et les passages peu nombreux. L'emplacement ne doit pas se trouver dans une zone à forts courants d'air.

Ne pas obstruer le flux de combustion et la ventilation.

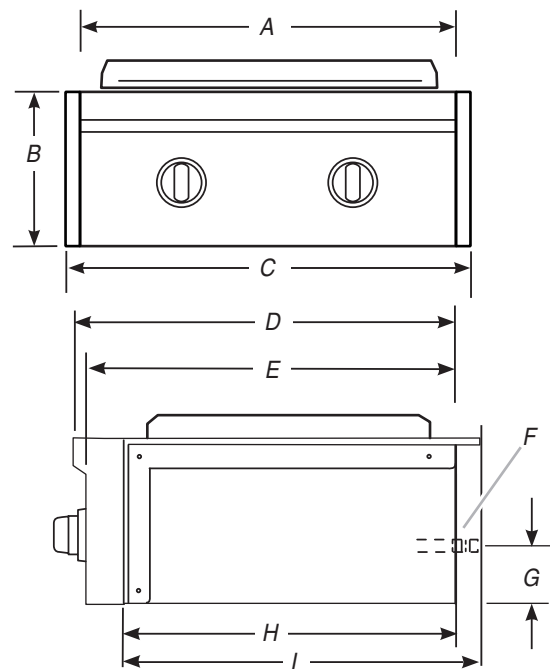
Distance de séparation entre les constructions combustibles et les brûleurs encastrés d'extérieur Power™ :

- Un minimum de 24" (58,0 cm) doit être maintenu entre les côtés et l'arrière et toute construction combustible.
- Il est possible de ne pas laisser d'espace entre la surface de cuisson et toute construction combustible.

Allumage

On doit disposer à gauche du brûleur Power™ et à l'intérieur du placard en îlot d'une prise de courant à 3 alvéoles, reliée à la terre et protégée par disjoncteur différentiel. Voir la section "Spécifications électriques".

Dimensions du produit



A. 18⁷/₈" (47,9 cm)

B. 10⁵/₈" (27 cm)

C. 22⁷/₈" (58,1 cm)

D. 23⁵/₈" (60 cm)

E. 22¹/₄" (56,5 cm)

F. Tubulure de distribution

G. 3¹/₄" (8,3 cm)

H. 19¹/₁₆" (50 cm)

I. 20¹⁵/₁₆" (53,2 cm)

Enceinte du brûleur d'extérieur encastré Power™

Ce brûleur d'extérieur encastré Power™ est conçu pour une installation dans une enceinte encastrée fabriquée à partir de matériaux combustibles et non combustibles. Parmi ces types de matériaux non combustibles, on compte la brique, le plâtre ou l'acier. Parmi les types de matériaux combustibles, on compte le bois et les revêtements stratifiés.

L'enceinte du brûleur d'extérieur encastré Power™ doit respecter les dimensions minimales suivantes : 11" (28,0 cm) de hauteur x 20" (50,8 cm) de profondeur x 19" (48,6 cm) de largeur.

Dimensions du placard

Les surfaces du comptoir ou de support doivent être d'aplomb.

L'installation de ce brûleur Power™ doit être conforme aux codes locaux ou, en l'absence de tels codes, au Code national d'alimentation en gaz, ANSI Z223.1/NPFA 54, au Code des installations au gaz naturel ou au propane, CSA B149.1 ou au Code d'entreposage et de manutention du propane, B149.2.

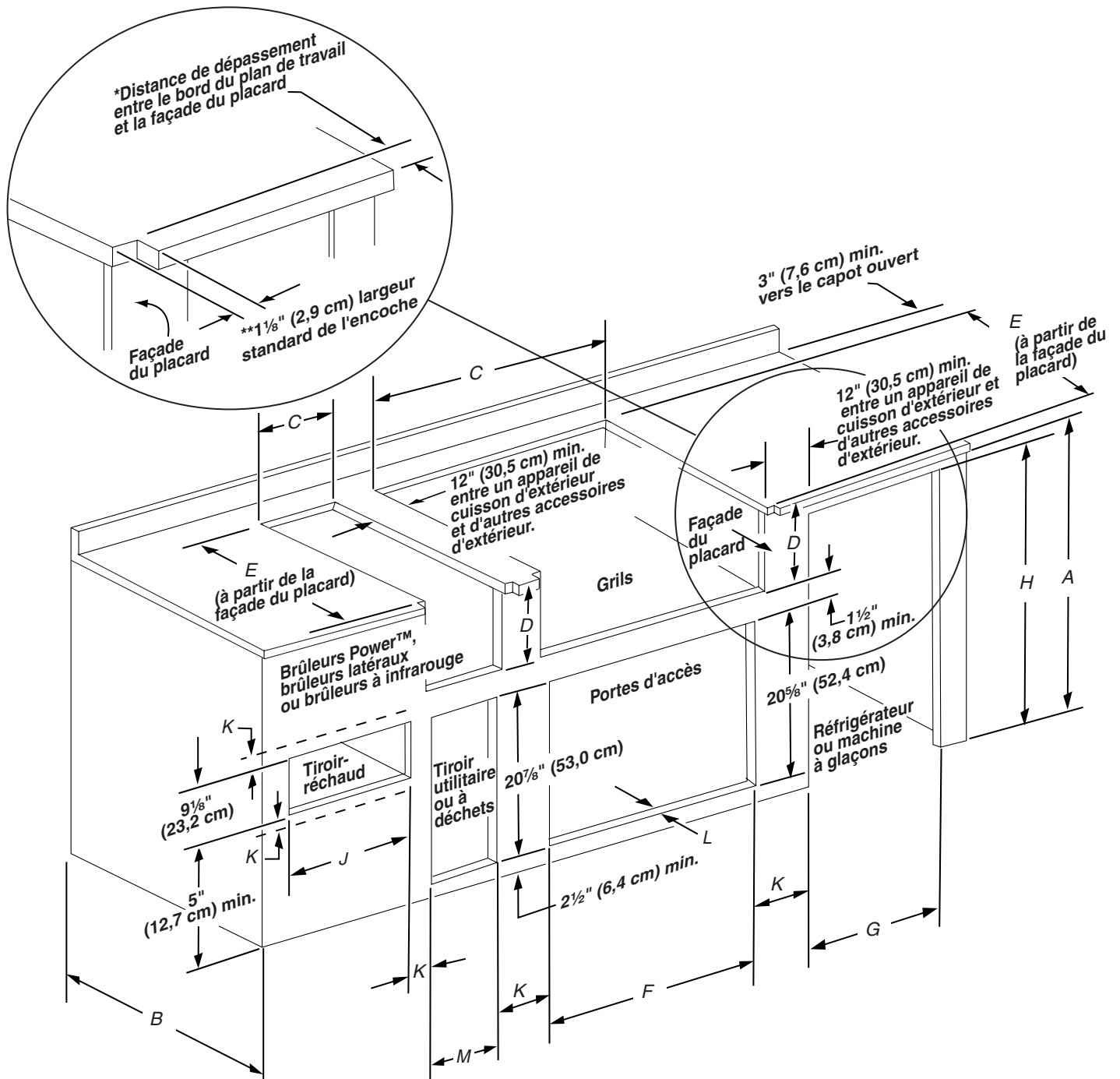
On peut obtenir des exemplaires des normes mentionnées à l'adresse suivante :

CSA International
8501 East Pleasant Valley Rd.
Cleveland, Ohio 44131-5575

REMARQUE : Le brûleur d'extérieur Power™ se glisse dans l'ouverture et est soutenu par ses rebords latéraux. Aucun support pour la partie inférieure n'est nécessaire.

Le tableau de dimensions et l'illustration ci-dessous comprennent les dimensions de l'ouverture à découper et les valeurs minimales de dégagements de séparation pour tous les produits d'extérieur encastrés. L'illustration est à titre de référence. La conception de la disposition de votre placard peut être personnalisée, mais les dimensions pour les ouvertures à découper et les dégagements de séparation minimaux doivent être respectés.

***REMARQUE :** Faire déborder le plan de travail de $\frac{3}{4}$ " (1,9 cm) par rapport à la surface de montage de la porte/du tiroir pour aider à évacuer l'eau présente sur le plan de travail sans qu'elle n'atteigne la porte ou le tiroir.



**Chaque coin des découpes du plan de travail pour gril, brûleur latéral, brûleur à infrarouge, brûleur Power™ et comptoir pour rafraîchissements encastrés.

Valeur de dégagement de séparation minimale entre les ouvertures à découper - Dimension K

Entre au moins 2 portes d'accès adjacentes :

K = 14" (35,6 cm) lorsque 2 portes adjacentes sont ouvertes à 90 degrés

K = 8" (20,3 cm) lorsque l'une des portes adjacentes est ouverte à 90 degrés

Entre un ensemble de portes d'accès et un tiroir à déchets, un tiroir utilitaire, un tiroir-réchaud, un réfrigérateur ou une machine à glaçons :

K = 8" (20,3 cm) lorsque l'une des portes adjacentes est ouverte à 90 degrés

Entre un tiroir à déchets, un tiroir utilitaire ou un tiroir-réchaud :

K = 3" (7,6 cm)

Dimensions de hauteur et profondeur pour le placard

	Dimension A Minimum	Dimension B Minimum
Avec réfrigérateur d'extérieur	37" (94 cm)	26" (66 cm)
Gril avec isolation thermique	36½" (92,7 cm)	27" (68,6 cm)
Gril sans isolation thermique	35½" (90,2 cm)	26" (66 cm)

Dimensions de l'ouverture à découper - Gril encastré

Taille du gril	Dimension C	Dimension D	Dimension E
27" (68,6 cm)	29⅝" (75,2 cm)	10¾" (27,3 cm)	22⅞" (58,1 cm)
36" (91,4 cm)	38⅝" (98,1 cm)	10¾" (27,3 cm)	22⅞" (58,1 cm)
48" (121,9 cm)	50⅝" (128,6 cm)	10¾" (27,3 cm)	22⅞" (58,1 cm)

Dimensions de l'ouverture à découper - Gril encastré avec isolation thermique

Taille du gril	Dimension C	Dimension D	Dimension E
27" (68,6 cm)	33" (83,8 cm)	11¾" (29,8 cm)	24" (61 cm)
36" (91,4 cm)	42" (106,7 cm)	11¾" (29,8 cm)	24" (61 cm)
48" (121,9 cm)	54" (137,2 cm)	11¾" (29,8 cm)	24" (61 cm)

Dimensions de l'ouverture à découper - Brûleur Power™ encastré

	Dimension C	Dimension D	Dimension E
	19⅝" (49,2 cm)	10¾" (27,3 cm)	19¾" (50,2 cm)

Dimensions de l'ouverture à découper - Brûleur latéral encastré

Position du brûleur	Dimension C	Dimension D	Dimension E
De l'avant vers l'arrière	13½" (34,3 cm)	10¾" (27,3 cm)	22⅝" (57,5 cm)
Côte à côte	24½" (62,2 cm)	10¾" (27,3 cm)	16⅞" (42,9 cm)

Dimensions de l'ouverture à découper - Brûleur à rôtissage encastré

	Dimension C	Dimension D	Dimension E
	13½" (34,3 cm)	10⅝" (27 cm)	22⅞" (57,6 cm)

Dimensions de l'ouverture à découper - Comptoir pour rafraîchissements encastré

Dimension C	Dimension D	Dimension E
30½" (77,5 cm)	10¾" (27,3 cm)	23" (58,4 cm)

Dimensions de l'ouverture à découper - Portes d'accès encastrées

Taille de la porte	Dimension F	Dimension L*
18" (45,7 cm)	16¾" (41,1 cm)	1½" (3,8 cm)
27" (68,6 cm)	25½" (63,8 cm)	1½" (3,8 cm)
30" (76,2 cm)	28½" (71,4 cm)	1½" (3,8 cm)
36" (91,4 cm)	34½" (86,7 cm)	1½" (3,8 cm)
48" (121,9 cm)	46½" (117,2 cm)	1½" (3,8 cm)

*La dimension L représente la zone de surface de montage minimale autour de l'ouverture pour le montage de la porte ou des tiroirs facultatifs.

Dimensions de l'ouverture à découper - Réfrigérateur d'extérieur

Dimension G	Dimension H
24" (61 cm)	35¼" (89,5 cm)

Dimensions de l'ouverture à découper - Machine à glaçons d'extérieur

Dimension G	Dimension H
18" (45,7 cm)	34" (86,4 cm) min. à 34½" (87,6 cm) max.

Dimensions de l'ouverture à découper - Tiroir-réchaud encastré

Taille du tiroir-réchaud	Dimension J
24" (61 cm)	22½" (57,2 cm)

Dimensions de l'ouverture à découper - Tiroir utilitaire encastré ou tiroir à déchets encastré

Dimension M	Dimension L*
12¼" (31,1 cm)	1½" (3,8 cm)

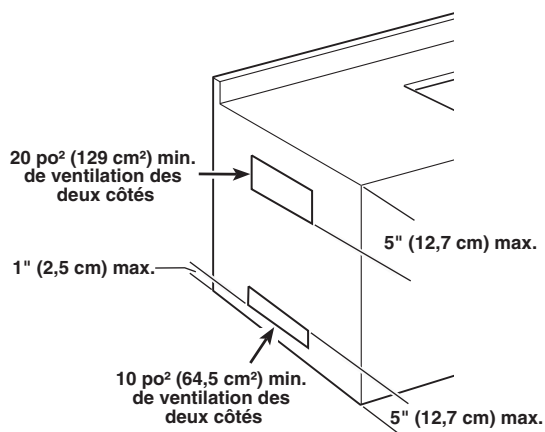
*La dimension L représente la zone de surface de montage minimale autour de l'ouverture pour le montage de la porte ou des tiroirs facultatifs.

Ventilation de l'enceinte du gril d'extérieur encastré - alimentation au propane :

L'enceinte pour la bouteille de gaz propane doit être ventilée au niveau des ouvertures supérieures et inférieures de l'enceinte.

En cas de conversion pour utilisation du propane, ces ouvertures d'aération doivent se trouver dans l'enceinte :

L'enceinte pour utilisation avec une bouteille de gaz propane pour installation encastrée doit comporter au moins une ouverture d'aération sur le côté extérieur exposé. L'ouverture d'aération doit être située à 5" (12,7 cm) maximum de la partie supérieure et doit être de 20 po² (129 cm²) minimum. Une ouverture d'aération doit être située à 1" (2,5 cm) max. de la partie inférieure de l'enceinte avec partie inférieure de l'ouverture de 10 po² (64,5 cm²) minimum. Aucune ouverture d'aération ne doit être obstruée. Chaque ouverture doit comporter une largeur de ⅛" (0,32 cm) minimum.



Spécifications électriques

⚠ AVERTISSEMENT



Risque de choc électrique

Brancher sur une prise à 3 alvéoles reliée à la terre.

Ne pas enlever la broche de liaison à la terre.

Ne pas utiliser un adaptateur.

Ne pas utiliser un câble de rallonge.

Le non-respect de ces instructions peut causer un décès, un incendie ou un choc électrique.

Si les codes le permettent et si on utilise un conducteur distinct de liaison à la terre, il est recommandé qu'un électricien qualifié vérifie la qualité de la liaison à la terre.

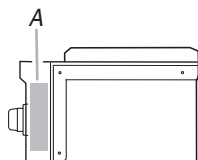
Consulter un électricien qualifié en cas de doute sur la qualité de la liaison à la terre du brûleur Power™.

L'appareil doit être alimenté par un circuit de 120 V, CA seulement, 60 Hz, 15 ampères, protégé par fusible.

Il est recommandé de raccorder ce brûleur Power™ sur un circuit distinct exclusif à ce brûleur.

- Pour éviter un choc électrique, ne pas immerger le cordon ou les prises dans l'eau ou dans tout autre liquide.
- Débrancher la prise lorsque l'appareil n'est pas utilisé et avant le nettoyage. Attendre le refroidissement total avant d'installer ou de retirer des pièces.
- Ne pas faire fonctionner un appareil de cuisson d'extérieur alimenté au gaz lorsque le cordon ou la prise est endommagé(e), lorsque l'appareil ne fonctionne pas correctement ou lorsqu'il a été endommagé d'une quelconque façon. Contacter le fabricant pour toute réparation.
- Ne pas laisser le cordon pendre sur le côté d'une table ou toucher des surfaces chaudes.
- Ne pas utiliser un appareil de cuisson d'extérieur à d'autres fins que celles pour lesquelles il est initialement conçu.
- Lors du raccordement, brancher d'abord la prise dans l'appareil de cuisson d'extérieur alimenté au gaz, puis brancher l'appareil à une prise murale.
- Avec un appareil de cuisson d'extérieur alimenté au gaz, utiliser uniquement un circuit protégé par disjoncteur différentiel.
- Ne pas enlever la broche de liaison à la terre ni utiliser un adaptateur à deux broches.

La plaque signalétique est située sur le panneau de droite. Voir l'illustration ci-dessous.



A. Plaque signalétique

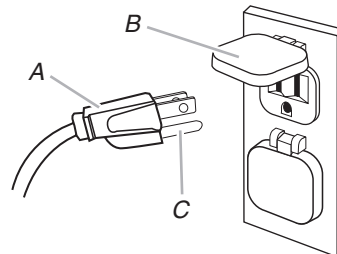
Méthode recommandée de mise à la terre

Le brûleur d'extérieur Power™, une fois installé, doit être correctement relié à la terre conformément aux codes locaux en vigueur ou, en l'absence de tels codes, au National Electrical Code, ANSI/NFPA 70 ou au Code canadien de l'électricité, CSA C22.1.

On peut obtenir des exemplaires des normes mentionnées ci-dessus aux adresses suivantes :

CSA International
8501 East Pleasant Valley Rd.
Cleveland, Ohio 44131-5575

National Fire Protection Association
One Batterymarch Park
Quincy, Massachusetts 02269



A. Prise à 3 broches reliée à la terre

B. Prise murale polarisée d'extérieur à 3 alvéoles avec disjoncteur différentiel

C. Broche de liaison à la terre

Spécifications de l'alimentation en gaz

⚠ AVERTISSEMENT



Risque d'explosion

Utiliser une canalisation neuve d'arrivée de gaz pour utilisation à l'extérieur approuvée par la CSA International.

Bien serrer chaque organe de connexion de la canalisation de gaz.

En cas de connexion au gaz propane, demander à une personne qualifiée de s'assurer que la pression de gaz ne dépasse pas 11 po (28 cm) de la colonne d'eau.

Par personne qualifiée, on comprend :

**le personnel autorisé de chauffage,
le personnel autorisé d'une compagnie de gaz, et
le personnel d'entretien autorisé.**

Le non-respect de ces instructions peut causer un décès, une explosion ou un incendie.

Observer les dispositions de tous les codes et règlements en vigueur.

IMPORTANT : L'installation doit satisfaire aux critères de tous les codes et règlements locaux. En l'absence de code local, l'installation doit satisfaire aux prescriptions de la plus récente édition du code national en vigueur : American National Standard, National Fuel Gas Code ANSI Z223.1 ou CAN/CGA B149.1.

IMPORTANT : Le brûleur Power™ doit être raccordé à une source d'alimentation en gaz régulée.

Le type de gaz utilisable est indiqué sur la plaque signalétique de l'appareil; si celui-ci ne correspond pas au type de gaz disponible, consulter le fournisseur de gaz local.

Conversion pour changement de gaz :

Ne pas entreprendre de convertir le brûleur Power™ pour l'utilisation d'un gaz différent de celui indiqué sur la plaque signalétique sans d'abord consulter le fournisseur de gaz. Dans un tel cas on doit utiliser l'ensemble de conversion fourni avec le brûleur Power™. Voir la section "Conversions de gaz" pour plus d'instructions.

Détendeur

Le détendeur fourni avec ce brûleur Power™ doit être utilisé. Pour un fonctionnement correct, la pression à l'entrée (alimentation) du détendeur doit être comme suit :

Gaz propane :

Pression de service : 11" (28 cm) (colonne d'eau)

Pression à l'entrée (alimentation) : 11" à 14" (28 cm à 35,5 cm) (colonne d'eau)

Gaz naturel :

Pression de service : 4" (10,2 cm) (colonne d'eau)

Pression de service (alimentation) : 7" à 14" (17,8 cm à 35,5 cm) (colonne d'eau) maximum.

En cas d'incertitude quant à la pression à l'entrée (alimentation), contacter le fournisseur de gaz local.

Puissance thermique des brûleurs en altitude

Les débits thermiques indiqués sur la plaque signalétique correspondent à une altitude d'utilisation inférieure ou égale à 2000 pi (609,6 m).

Lorsque l'appareil est utilisé à une altitude supérieure à 2000 pi (609,6 m), on doit réduire le débit thermique indiqué de 4 % pour chaque tranche de 1000 pi (304,8 m) au-dessus du niveau de la mer. La conversion du gicleur du brûleur est nécessaire. Voir la section "Assistance ou service" pour commander.

Test de pressurisation de la canalisation de gaz

Test de pressurisation à une pression relative supérieure à ½ lb/po² (3,5 kPa) ou 14" (35,5 cm) (colonne d'eau) :

Pour tout test de pressurisation du système à une pression supérieure à ½ lb/po² (3,5 kPa), on doit déconnecter le brûleur Power™ et son robinet d'arrêt de la canalisation à pressuriser.

Test de pressurisation à une pression relative inférieure à ½ lb/po² (3,5 kPa) ou inférieure ou égale à 14" (35,5 cm) (colonne d'eau) :

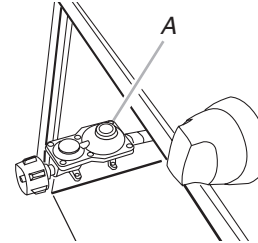
Le brûleur Power™ devra être isolé de la canalisation de gaz par la fermeture du robinet d'arrêt manuel individuel durant tout test de pressurisation de la canalisation de gaz à une pression égale ou inférieure à ½ lb/po² (3,5 kPa).

Exigences concernant le raccordement au gaz

Bouteille de propane de 20 lb

Ce brûleur Power™ est configuré pour l'alimentation à l'aide d'une bouteille de gaz propane de 20 lb (non fournie). L'ensemble détendeur/tuyau de raccordement est fourni.

La conception de l'appareil est homologuée par CSA International pour l'alimentation au gaz propane ou pour l'alimentation au gaz naturel après conversion appropriée.

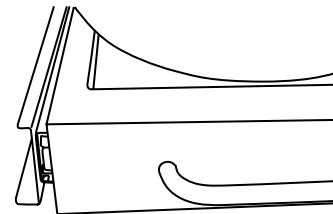


A. Ensemble détendeur/tuyau de raccordement

La bouteille de gaz propane de 20 lb doit être montée et immobilisée.

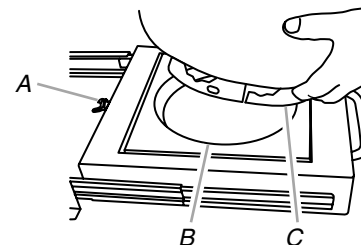
Chariot de la bouteille - style porte

1. Ouvrir les portes du placard.
2. Retirer le chariot.



Chariot de la bouteille

3. Placer la collerette inférieure de la bouteille de gaz propane de 20 lb dans le trou de montage du chariot.
4. Serrer la vis de blocage contre la collerette inférieure de la bouteille de gaz propane de 20 lb pour l'immobiliser.



A. Vis de blocage
B. Trou de montage
C. Collerette inférieure

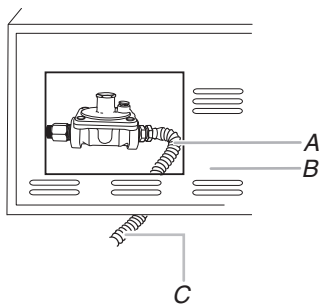
5. Réinsérer le chariot dans le placard.
6. Fermer les portes du placard.

Conversion pour l'alimentation au gaz propane par canalisation locale

L'opération de conversion doit être exécutée par un technicien qualifié. Le technicien qualifié doit installer la canalisation de gaz jusqu'à l'emplacement choisi pour l'installation du brûleur Power™, en conformité avec les prescriptions de la plus récente édition du National Fuel Gas Code ANSI Z223.1/NFPA 54 et des codes locaux. Pour une conversion au gaz propane local, le détendeur convertible de l'ensemble de conversion fourni avec le brûleur Power™ doit être utilisé.

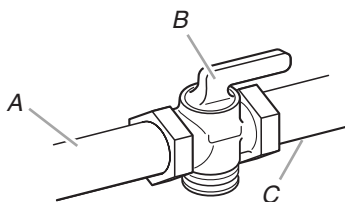
IMPORTANT : Le circuit de distribution de gaz doit être conforme aux prescriptions des codes locaux ou, en l'absence de code local, aux prescriptions de l'édition la plus récente du National Fuel Gas Code, ANSI Z223.1/NFPA 54. Un technicien qualifié doit installer la canalisation d'arrivée de propane jusqu'à l'emplacement choisi pour l'installation du brûleur Power™, en conformité avec les prescriptions du National Fuel Gas Code, ANSI Z223.1/NFPA 54 et des codes locaux.

Suivre les instructions pour convertir au gaz propane local dans la section "Conversions de gaz".



- A. Conduit d'alimentation en gaz flexible neuf, pour l'utilisation à l'extérieur (homologation CSA International)
- B. Arrière du brûleur Power™
- C. Vers canalisation locale d'alimentation en gaz propane

La canalisation d'alimentation doit comporter un robinet d'arrêt approuvé. Le robinet d'arrêt doit être installé au voisinage du brûleur Power™ et être facilement accessible pour les manœuvres d'ouverture/fermeture. Ne pas entraver l'accès au robinet d'arrêt. Le robinet d'arrêt commande l'alimentation en gaz du brûleur Power™.



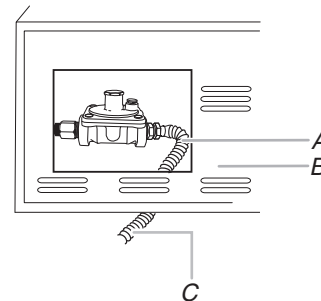
- A. Canalisation d'alimentation en gaz
- B. Robinet d'arrêt - position d'ouverture "open"
- C. Vers le brûleur Power™

Conversion pour l'alimentation au gaz naturel

L'opération de conversion doit être exécutée par un technicien qualifié. Le technicien qualifié doit installer la canalisation de gaz naturel jusqu'à l'emplacement choisi pour l'installation du brûleur Power™, en conformité avec les prescriptions de la plus récente édition du National Fuel Gas Code ANSI Z223.1/NFPA 54 et des codes locaux. Pour la conversion au gaz naturel, on doit utiliser l'ensemble de conversion pour gaz naturel fourni avec le brûleur Power™.

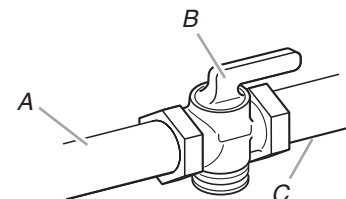
IMPORTANT : Le circuit de distribution de gaz doit être conforme aux prescriptions des codes locaux ou, en l'absence de code local, aux prescriptions de l'édition la plus récente du National Fuel Gas Code, ANSI Z223.1/NFPA 54.

Pour la conversion pour l'alimentation au gaz naturel, on doit utiliser l'ensemble de conversion pour gaz naturel fourni avec le brûleur Power™. Suivre les instructions de conversion au gaz naturel à la section "Conversions de gaz".



- A. Conduit d'alimentation en gaz flexible neuf, pour l'utilisation à l'extérieur (homologation CSA International)
- B. Arrière du brûleur Power™
- C. Vers canalisation locale de gaz naturel

La canalisation d'alimentation doit comporter un robinet d'arrêt approuvé. Le robinet d'arrêt doit être installé au voisinage du brûleur Power™ et être facilement accessible pour les manœuvres d'ouverture/fermeture. Ne pas entraver l'accès au robinet d'arrêt. Le robinet d'arrêt commande l'alimentation en gaz du brûleur Power™.



- A. Canalisation d'alimentation en gaz
- B. Robinet d'arrêt - position d'ouverture "open"
- C. Vers le brûleur Power™

INSTRUCTIONS D'INSTALLATION

Installation du brûleur d'extérieur encastré Power™

⚠ AVERTISSEMENT

Risque du poids excessif

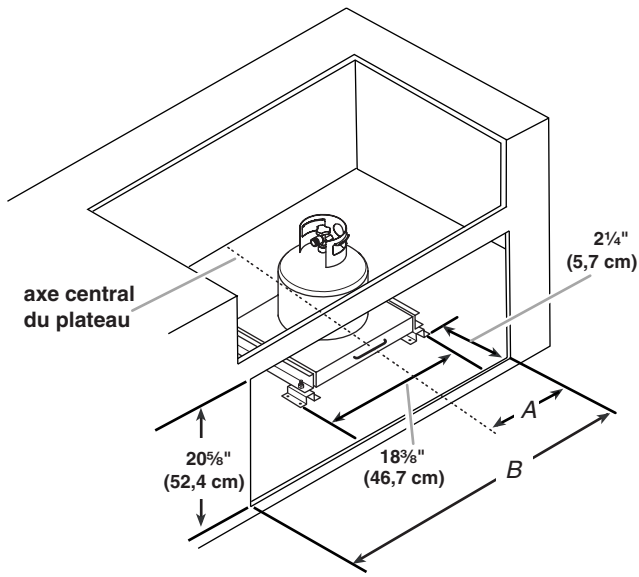
Utiliser deux ou plus de personnes pour déplacer et installer le brûleur latéral.

Le non-respect de cette instruction peut causer une blessure au dos ou d'autre blessure.

- Déballez le brûleur Power™. Enlever tous les matériaux d'emballage et retirer le brûleur Power™ de son emballage.
- Déplacer le brûleur Power™ dans l'emplacement d'installation à l'extérieur, mais laisser suffisamment d'espace à l'arrière pour le raccordement de l'alimentation en gaz et au circuit électrique avec une fiche à alvéole unique.

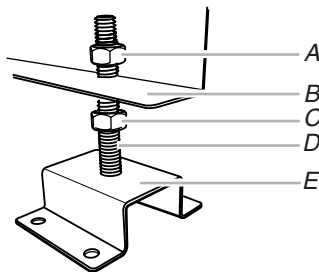
Installation du chariot de bouteille de gaz propane de 20 lb

1. Placer le chariot de la bouteille de gaz propane de 20 lb dans le meuble en îlot.



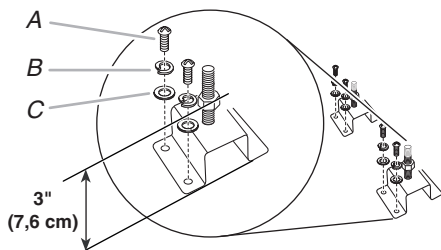
A. $8\frac{3}{32}$ " (20,6 cm)
B. $16\frac{3}{16}$ " (41,1 cm)

2. Aligner les brides de montage du chariot de la bouteille et marquer l'emplacement des trous de montage à la base du meuble en îlot.
3. Ôter les 4 écrous supérieurs du chariot de la bouteille et dégager le chariot des brides de montage en le soulevant.



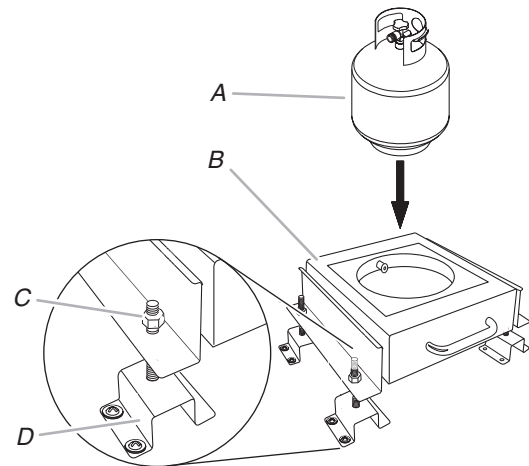
A. Écrou supérieur
B. Chariot de la bouteille
C. Écrou inférieur
D. Boulon
E. Bride de montage

4. Fixer les brides de montage du chariot de la bouteille sur la base ou le plancher du meuble en îlot à l'aide de pièces de montage de type et de taille appropriés (non fournis). Serrer la visserie de montage.



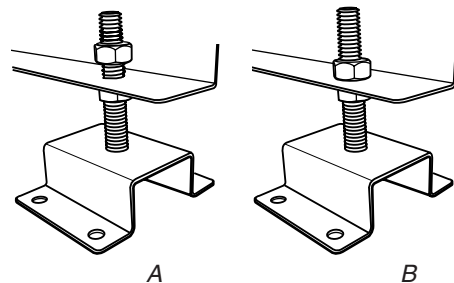
A. Vis (utiliser une vis adéquate pour le matériau du plancher du meuble en îlot).
B. Rondelle de blocage
C. Rondelle plate

5. Pré-régler chacun des écrous inférieurs sur les brides de montage à 3" (7,6 cm) entre la base du meuble en îlot et le sommet des écrous.
6. Fixer à nouveau le chariot de la bouteille sur les brides de montage. Remettre en place les 4 écrous supérieurs mais ne pas serrer.



A. Bouteille de gaz propane de 20 lb
B. Chariot de la bouteille de gaz de 20 lb
C. Écrou supérieur (ne pas serrer)
D. Bride de montage

7. Le chariot de la bouteille de gaz propane de 20 lb doit être ajusté de façon à ce que le bas du chariot se trouve à $\frac{1}{8}$ " (0,32 cm) au-dessus de l'ouverture de la porte du placard et soit de niveau. Desserrer l'écrou supérieur de chaque bride de montage et visser chacun des écrous inférieurs dans le sens antihoraire pour élever le chariot de la bouteille de propane ou dans le sens horaire pour l'abaisser. Lorsque le chariot est de niveau et qu'il coulisse sans toucher le haut ou le bas de l'ouverture de la porte alors que la bouteille de gaz propane de 20 lb est installée, serrer les écrous supérieurs contre le rebord d'ajustement.



A. Écrou supérieur desserré
B. Écrou supérieur serré

REMARQUE : Il est nécessaire de monter à l'intérieur du meuble en îlot une bride ou une étagère (non fournie) qui soit suffisamment grande pour empêcher l'entreposage d'une autre bouteille de gaz propane de 20 lb dans l'espace d'entreposage situé sous le brûleur Power™.

Raccordement de gaz

Raccordement à une bouteille de gaz propane de 20 lb

⚠ AVERTISSEMENT



Risque d'explosion

Utiliser une canalisation neuve d'arrivée de gaz pour utilisation à l'extérieur approuvée par la CSA International.

Bien serrer chaque organe de connexion de la canalisation de gaz.

En cas de connexion au gaz propane, demander à une personne qualifiée de s'assurer que la pression de gaz ne dépasse pas 11 po (28 cm) de la colonne d'eau.

Par personne qualifiée, on comprend :

le personnel autorisé de chauffage,
le personnel autorisé d'une compagnie de gaz, et
le personnel d'entretien autorisé.

Le non-respect de ces instructions peut causer un décès, une explosion ou un incendie.

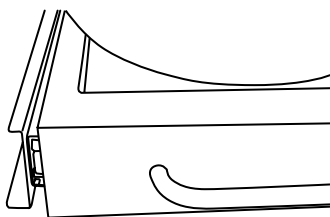
Si on passe du gaz propane au gaz naturel ou inversement, suivre les instructions de la section "Conversions de gaz".

IMPORTANT : Il faut acheter une bouteille de gaz propane de 20 lb séparément.

IMPORTANT : Il est nécessaire d'utiliser l'ensemble détendeur/tuyau de raccordement fourni avec le brûleur Power™. Un détendeur/tuyau de raccordement de remplacement spécifique au brûleur utilisé est disponible auprès de votre marchand de brûleur d'extérieur Power™.

Installation de la bouteille de propane de 20 lb :

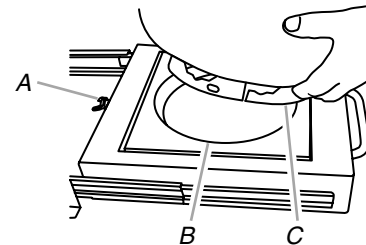
1. Ouvrir les portes du placard.
2. Retirer le chariot.



Chariot de la bouteille

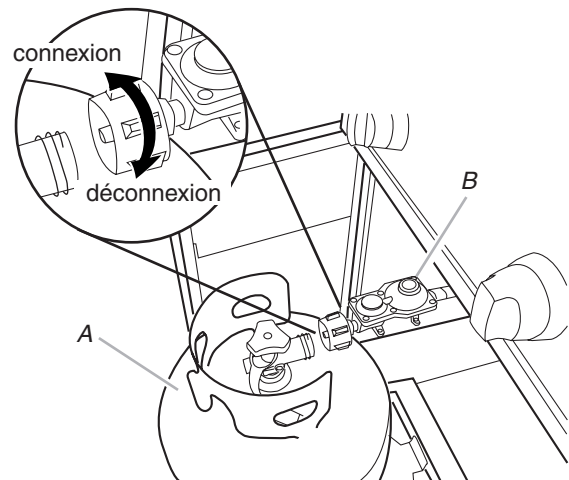
3. Placer la collerette inférieure de la bouteille de gaz propane de 20 lb dans le trou de montage du chariot.

4. Serrer la vis de blocage contre la collerette inférieure de la bouteille de gaz propane de 20 lb pour l'immobiliser.



A. Vis de blocage
B. Trou pour montage
C. Collerette inférieure

5. Visser l'ensemble détendeur/tuyau de raccordement sur la bouteille de gaz propane de 20 lb - voir l'illustration. (Pour déconnecter, fermer l'alimentation en gaz à la bouteille de propane de 20 lb, puis dévisser l'ensemble détendeur/tuyau de raccordement de la bouteille de propane de 20 lb tel qu'illustré).



A. Bouteille de gaz propane de 20 lb
B. Ensemble détendeur/tuyau de raccordement

6. Ouvrir l'alimentation en gaz. Attendre quelques minutes pour que le gaz remplisse la canalisation.
7. Vérifier tous les raccords en les badigeonnant d'une solution de détection des fuites non corrosive approuvée. L'apparition de bulles indique une fuite. Réparer toute fuite éventuelle.
8. Réinsérer le chariot de la bouteille dans le placard.
9. Passer à "Branchement du brûleur Power™" dans cette section.

⚠ AVERTISSEMENT



Risque d'explosion

Utiliser une canalisation neuve d'arrivée de gaz pour utilisation à l'extérieur approuvée par la CSA International.

Bien serrer chaque organe de connexion de la canalisation de gaz.

En cas de connexion au gaz propane, demander à une personne qualifiée de s'assurer que la pression de gaz ne dépasse pas 11 po (28 cm) de la colonne d'eau.

Par personne qualifiée, on comprend :

le personnel autorisé de chauffage,
le personnel autorisé d'une compagnie de gaz, et
le personnel d'entretien autorisé.

Le non-respect de ces instructions peut causer un décès, une explosion ou un incendie.

L'installation doit satisfaire aux critères des codes et règlements locaux. En l'absence de code local, l'installation doit être conforme aux critères de la plus récente édition du National Fuel Gas Code ANSI Z223.1, ou de la norme CAN/CGA-B149.1 Code des installations pour gaz naturel ou propane.

On peut obtenir des exemplaires des normes mentionnées ci-dessus aux adresses suivantes :

CSA International
8501 East Pleasant Valley Rd.
Cleveland, Ohio 44131-5575

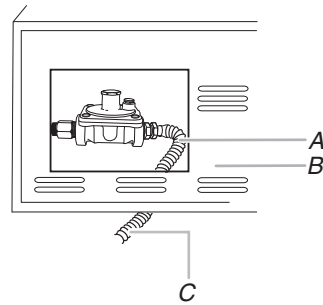
National Fire Protection Association
One Batterymarch Park
Quincy, Massachusetts 02269

1. Réaliser les raccordements de la canalisation de gaz.

On doit employer une combinaison de raccords pour raccorder le brûleur Power™ à la canalisation de gaz existante.

- Si les codes locaux le permettent, pour le raccordement du brûleur Power™ à la canalisation de gaz rigide, utiliser un conduit de raccordement flexible en acier inoxydable, homologué par CSA International pour utilisation à l'extérieur. On recommande l'emploi d'une canalisation de diamètre 5/8". Raccorder l'alimentation en gaz au brûleur Power™ et serrer avec une clé. Utiliser un composé d'étanchéité des tuyauteries sur tous les filetages mâles non évasés. Veiller à ne pas écraser/déformer/endommager le conduit de raccordement flexible lors du déplacement du brûleur Power™.

- Utiliser un composé d'étanchéité pour tuyauterie compatible avec le gaz propane. Ne pas utiliser de ruban adhésif TEFLON®†.

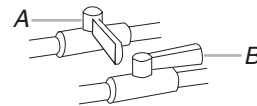


A. Conduit d'alimentation en gaz flexible neuf, pour l'utilisation à l'extérieur (homologation CSA International)

B. Arrière du brûleur Power™

C. Vers canalisation de gaz naturel ou propane (locale)

2. Ouvrir le robinet d'arrêt manuel sur la canalisation de gaz. Le robinet est ouvert lorsque la manette est parallèle à la canalisation de gaz.



A. Robinet fermé

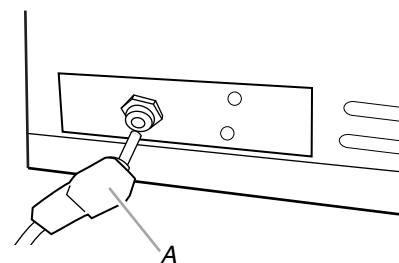
B. Robinet ouvert

3. Vérifier tous les raccordements en les badigeonnant d'une solution de détection des fuites non corrosive approuvée. L'apparition de bulles indique une fuite. Réparer toute fuite éventuelle.

Branchement du brûleur Power™

REMARQUE : Ce brûleur d'extérieur encastré Power™ est fourni avec un transformateur/une prise de 5000 mAmp de grosse taille pour les allumeurs de brûleur Power™. Suivre les instructions de branchement et d'installation du transformateur. Tenir tout cordon d'alimentation électrique à l'écart des surfaces chaudes.

1. Brancher la prise à une broche dans la prise située sur la partie inférieure gauche du brûleur Power™.



A. Prise à une broche

2. Localiser ou créer une surface non combustible à l'intérieur du placard en îlot pour installer le transformateur. Il doit être sur le côté gauche du brûleur Power™ à un minimum de 3" (7,6 cm) du côté et 4" (10,2 cm) en-dessous du bas du brûleur Power™.

†®TEFLON est une marque déposée de E.I. Du Pont De Nemours et Compagnie.

3. Installer le transformateur sur la surface de fixation à l'aide de 4 vis n° 8 (non fournies) du type et de la longueur appropriés au transformateur et à la surface de montage. Il doit être installé avec le conducteur de la prise à une broche orienté vers le haut ou vers le brûleur Power™.

REMARQUE : Le cordon doit être bien fixé à l'aide d'un dispositif de retenue de cordon de façon à ce que la prise à 3 broches n'entre pas en contact avec la terre lors du débranchement.

4. Faire glisser doucement mais complètement le brûleur Power™ dans l'enceinte d'encastrement.

⚠ AVERTISSEMENT



Risque de choc électrique

Brancher sur une prise à 3 alvéoles reliée à la terre.

Ne pas enlever la broche de liaison à la terre.

Ne pas utiliser un adaptateur.

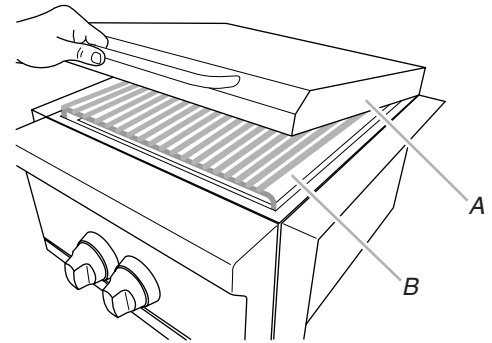
Ne pas utiliser un câble de rallonge.

Le non-respect de ces instructions peut causer un décès, un incendie ou un choc électrique.

5. Brancher sur une prise à 3 alvéoles reliée à la terre, protégée par disjoncteur différentiel.
 - Pour éviter un choc électrique, ne pas immerger les cordons ou les prises dans l'eau ou dans tout autre liquide.
 - Débrancher la prise lorsque l'appareil n'est pas utilisé et avant le nettoyage. Attendre le refroidissement total avant d'installer ou de retirer des pièces.
 - Ne pas faire fonctionner un appareil d'extérieur alimenté au gaz lorsque le cordon ou la prise est endommagé(e), lorsque l'appareil ne fonctionne pas correctement ou lorsqu'il a été endommagé d'une quelconque façon. Contacter le fabricant pour toute réparation.
 - Ne pas laisser le cordon pendre sur le côté d'une table ou toucher des surfaces chaudes.
 - Ne pas utiliser un appareil de cuisson d'extérieur à d'autres fins que celles pour lesquelles il est initialement conçu.
 - Lors du raccordement, brancher d'abord l'appareil de cuisson d'extérieur alimenté au gaz, puis brancher l'appareil à une prise.
 - Avec un appareil de cuisson d'extérieur alimenté au gaz, utiliser uniquement un circuit protégé par disjoncteur différentiel.
 - Ne pas enlever la broche de liaison à la terre ou utiliser un adaptateur à deux broches.

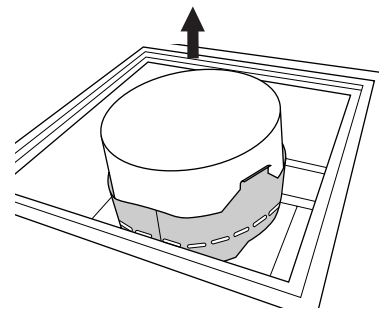
Installation de la surface de cuisson

1. Soulever le couvercle et la grille et les mettre de côté.



A. Couvercle
B. Grille

2. Retirer l'emballage autour des brûleurs.



3. Retirer les sachets en plastique de la grille et la pellicule du couvercle.
4. Réinstaller la grille.
5. Jeter/recycler tous les matériaux d'emballage.
6. Passer à la section "Contrôle et réglage des brûleurs".

CONVERSIONS DE GAZ

Outillage et pièces pour la conversion de gaz

Rassembler les outils et pièces nécessaires avant de commencer l'installation. Lire et suivre les instructions fournies avec les outils indiqués ici.

Outils nécessaires

- Tournevis Phillips
- Clé à tuyauterie
- Clé à molette
- Clé et douille de 7 mm ou tourne-écrou de 7 mm
- Petit tournevis à lame plate
- Pince
- Produit d'étanchéité des jointures homologué pour gaz propane

Pièces fournies

- Raccord en laiton
- Détendeur convertible pour gaz naturel de 4" (10,2 cm) (colonne d'eau)/gaz propane de 11" (28 cm) (colonne d'eau)
- Gicleurs de gaz naturel

IMPORTANT : L'opération de conversion de l'appareil doit être exécutée par un installateur qualifié. Avant d'entreprendre la conversion, fermer l'arrivée de gaz avant d'interrompre l'alimentation électrique de l'appareil.

Cet ensemble est conçu pour une utilisation à une altitude de 2 000 pi ou moins au-dessus du niveau de la mer. Pour une utilisation de l'appareil à une altitude plus élevée, contacter KitchenAid au 1-800-607-6777 au Canada.

⚠ AVERTISSEMENT



Risque d'explosion

Utiliser une canalisation neuve d'arrivée de gaz pour utilisation à l'extérieur approuvée par la CSA International.

Bien serrer chaque organe de connexion de la canalisation de gaz.

En cas de connexion au gaz propane, demander à une personne qualifiée de s'assurer que la pression de gaz ne dépasse pas 11 po (28 cm) de la colonne d'eau.

Par personne qualifiée, on comprend :

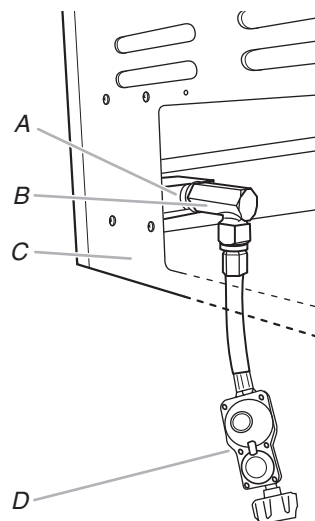
**le personnel autorisé de chauffage,
le personnel autorisé d'une compagnie de gaz, et
le personnel d'entretien autorisé.**

Le non-respect de ces instructions peut causer un décès, une explosion ou un incendie.

Conversion au gaz propane local

Installation du détendeur

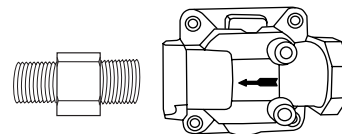
1. Fermer le robinet d'arrêt principal d'alimentation en gaz.
2. Débrancher le brûleur Power™ ou déconnecter la source de courant électrique.
3. Débrancher la bouteille de gaz propane de 20 lb (le cas échéant).
4. Fermer le robinet de commande de chaque brûleur.
5. Utiliser une clé à molette pour démonter le détendeur/tuyau de raccordement pour propane du coude en laiton. Utiliser une clé à molette pour démonter le raccord en laiton.



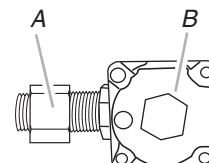
A. Tubulure de distribution
B. Coude en laiton
C. Arrière du brûleur Power™
D. Ensemble détendeur/tuyau de raccordement

6. Appliquer un composé d'étanchéité des tuyauteries sur le filetage du raccord en laiton. Employer un produit d'étanchéité des jointures homologué pour une utilisation avec gaz propane.
7. Utiliser une clé à molette pour installer le raccord en laiton (fourni) sur la tubulure de distribution.

REMARQUE : La flèche sur le détendeur doit être orientée vers le raccord en laiton.

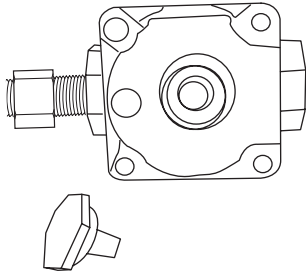


8. Utiliser une clé à tuyauterie pour installer le détendeur convertible. Une fois fixé, le chapeau de laiton doit être orienté vers le haut.

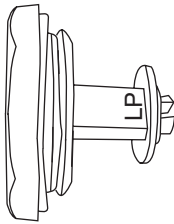


A. Raccord en laiton
B. Détendeur convertible

9. Pour configurer le détendeur de l'appareil pour l'alimentation au propane, utiliser une clé à molette et démonter le chapeau de laiton du détendeur convertible.



10. Examiner la tige sur le chapeau de laiton. Les lettres "NAT" doivent être visibles à l'extrémité de la tige de plastique la plus éloignée du chapeau de laiton.
11. Séparer la tige du chapeau, inverser la position de la tige, et réinsérer la tige dans le chapeau de telle manière que les lettres "LP" soient maintenant visibles à l'extrémité de la tige la plus éloignée du chapeau de laiton.



12. Utiliser une clé à molette pour réinstaller le chapeau sur le détendeur.

Effectuer les raccordements au brûleur Power™

Raccordement à l'alimentation en gaz propane locale

1. À l'aide d'une clé à tuyauterie, raccorder l'entrée du détendeur à l'arrivée fixe de gaz propane au moyen d'un tuyau d'alimentation en gaz certifié de 1/2" (1,3 cm), en respectant les prescriptions des codes locaux. Lorsque c'est nécessaire, appliquer un composé d'étanchéité des jointures homologué pour utilisation avec gaz propane. Le circuit d'arrivée de gaz doit comporter un robinet d'arrêt manuel homologué facilement accessible à proximité du brûleur Power™.
2. Ouvrir l'arrivée de gaz du brûleur Power™.
3. Vérifier tous les raccordements en les badigeonnant d'une solution de détection des fuites non corrosive approuvée. L'apparition de bulles indique une fuite. Veiller à éliminer toute fuite détectée.

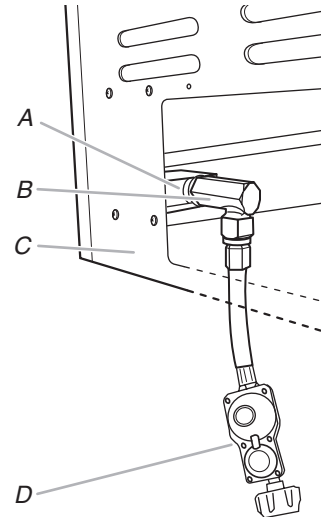
Enregistrer la conversion

Sur la dernière page du guide d'utilisation et d'entretien, inscrire "Converti pour l'alimentation au gaz propane locale". Enregistrer également la date de la conversion et le nom du technicien/de la compagnie qui a exécuté la conversion.

Conversion du gaz propane au gaz naturel

Installation du détendeur

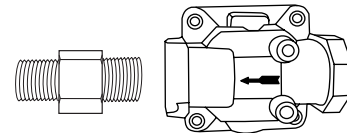
1. Fermer le robinet d'arrêt principal de la canalisation de gaz.
2. Débrancher le brûleur Power™ ou déconnecter la source de courant électrique.
3. Débrancher la bouteille de gaz propane de 20 lb (le cas échéant).
4. Fermer le robinet de commande de chaque brûleur.
5. Utiliser une clé à molette pour démonter le détendeur/tuyau de raccordement pour propane du coude en laiton. Utiliser une clé à molette pour démonter le coude en laiton.



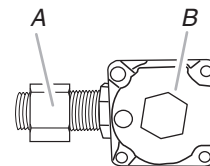
A. Tubulure de distribution
B. Raccord en laiton
C. Arrière du brûleur Power™
D. Ensemble détendeur/tuyau de raccordement

6. Appliquer un composé d'étanchéité des tuyauteries sur le filetage du raccord en laiton. Employer un produit d'étanchéité des jointures homologué pour une utilisation avec gaz propane.
7. Utiliser une clé à molette pour installer le raccord en laiton (fourni) sur la tubulure de distribution.

REMARQUE : La flèche sur le détendeur doit être orientée vers le raccord en laiton.

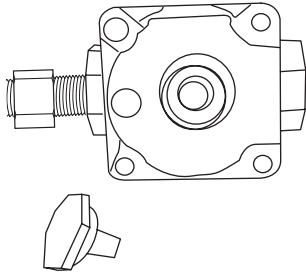


8. Utiliser une clé à tuyauterie pour installer le détendeur convertible. Une fois fixé, le chapeau de laiton doit être orienté vers le haut.

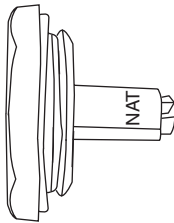


A. Raccord en laiton
B. Détendeur convertible

9. Pour s'assurer que le détendeur est réglé pour le gaz naturel, utiliser une clé à molette et ôter le chapeau de laiton du détendeur de l'appareil.



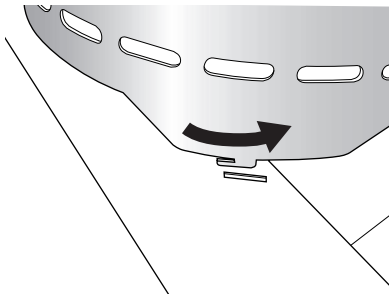
10. Examiner la tige sur le chapeau de laiton. Si les lettres "NAT" ne sont pas visibles à l'extrémité de la tige de plastique la plus éloignée du chapeau de laiton, séparer la tige du chapeau, inverser la position de la tige et réinsérer la tige dans le chapeau de façon à ce que les lettres "NAT" soient visibles à l'extrémité de la tige la plus éloignée du chapeau de laiton.



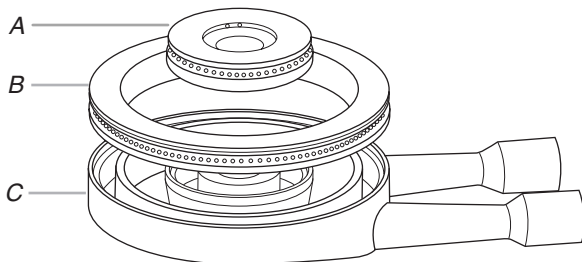
11. Réinstaller le chapeau sur le détendeur convertible.

Remplacement des gicleurs du brûleur Power™

1. Enlever la grille du brûleur Power™.
2. Retirer le cerclage de wok. Le tourner dans le sens antihoraire, le soulever puis le mettre de côté.



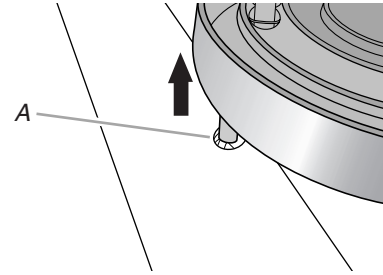
3. Retirer le cerclage supérieur du brûleur intérieur de la base du brûleur.
4. Retirer le cerclage supérieur du brûleur extérieur de la base du brûleur.



A. Brûleur intérieur
B. Brûleur extérieur
C. Base du brûleur

5. Ôter la base du brûleur.

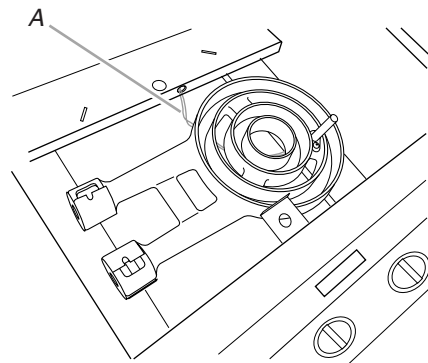
- a. Soulever l'arrière du brûleur pour retirer la tige de positionnement du trou de positionnement.



- b. Tirer doucement la base du brûleur de l'arrière pour désengager le brûleur des robinets et ouvertures de gaz.

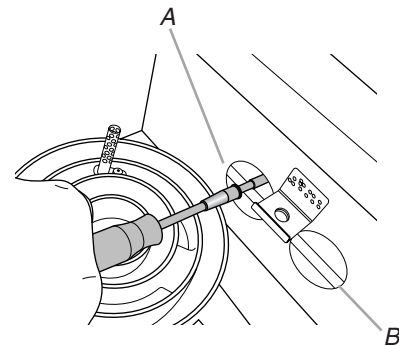
IMPORTANT : L'allumeur est raccordé à la base du brûleur. S'assurer que les conducteurs ne seront pas déconnectés à la suite de l'allumage.

- c. Faire pivoter la base du brûleur de 90° et la placer dans le fond du logement du brûleur.



A. Conducteur de l'allumeur

6. Démontez les gicleurs de laiton des robinets de gaz à l'aide d'une clé à douille de 7 mm ou d'un tourne-écrou de 7 mm.

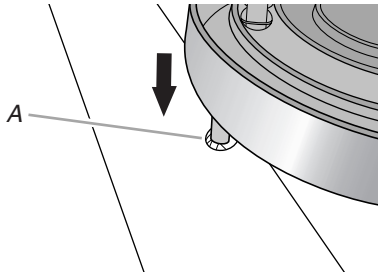


A. Brûleur intérieur
B. Brûleur extérieur

7. Installer les nouveaux gicleurs de laiton de 2,01 mm (brûleur intérieur) et de 2,87 mm (brûleur externe) fournis avec cet ensemble à l'aide d'une clé à douille de 7 mm ou d'un tourne-écrou de 7 mm.

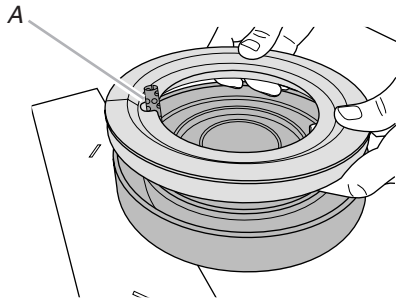
REMARQUE : Les numéros 2.01 et 2.87 sont imprimés sur les orifices pour permettre une identification correcte.

8. Réinstaller la base du brûleur. S'assurer que la tige de positionnement s'emboîte dans le trou de positionnement.



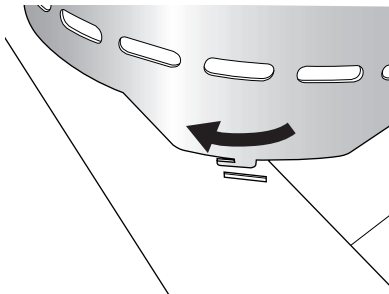
A. Tige de positionnement

9. Remettre en place le cerclage supérieur du brûleur extérieur; le positionner avec l'encoche de l'allumeur placée sur l'allumeur.



A. Allumeur

10. Réinstaller le cerclage supérieur du brûleur interne.
11. Réinstaller le cerclage de wok; aligner les onglets avec les encoches et tourner dans le sens horaire pour le fixer.



12. Réinstaller la grille de brûleur.

Raccordement au gaz naturel et recherche de fuites

- À l'aide d'une clé à tuyauterie, raccorder l'entrée du détendeur à l'arrivée fixe de gaz naturel au moyen d'un tuyau d'alimentation en gaz certifié de 1/2" (1,3 cm), en respectant les prescriptions des codes locaux. Lorsque c'est nécessaire, appliquer sur les raccords un composé d'étanchéité de jointures homologué pour utilisation avec gaz propane. La canalisation d'alimentation en gaz doit comporter un robinet d'arrêt manuel (homologué) facilement accessible à proximité du gril.
- Ouvrir l'arrivée de gaz alimentant le gril.
- Effectuer une recherche des fuites sur chaque raccord à l'aide d'une solution homologuée de détection des fuites, non corrosive. L'apparition de bulles indique la présence d'une fuite. Réparer toute fuite détectée.

Enregistrer la conversion

La plaque signalétique de l'appareil est située sur le panneau de droite. À l'aide d'un marqueur à encre indélébile, cocher la case de texte à côté de "Natural gas" (gaz naturel) et rayer "LP - Propane."

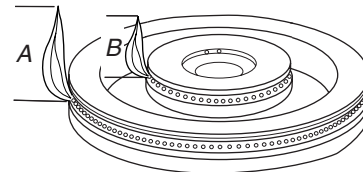
À la dernière page du guide d'utilisation et d'entretien, inscrire "Appareil converti pour alimentation au gaz naturel". Enregistrer également la date de la conversion, le nom du technicien/de la compagnie qui a exécuté la conversion.

REMARQUE : Placer les pièces de brûleurs pour gaz propane dans le sachet de pièces en plastique et conserver celui-ci avec les documents fournis avec l'appareil.

Contrôle et réglage des brûleurs

Les brûleurs ont été testés et réglés à l'usine pour un fonctionnement efficace. Cependant, il est possible qu'il faille apporter de légères modifications au débit thermique minimum dans le cas de variations de pression de l'approvisionnement en gaz ou dans d'autres situations.

On recommande que tout réglage des brûleurs soit exécuté par une personne qualifiée.



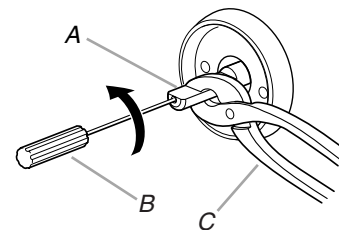
A. 4" (10,2 cm) pour le brûleur extérieur lorsque réglé à "HI" (élevé).

B. 3" (7,6 cm) pour le brûleur intérieur lorsque réglé à "HI" (élevé).

Réglage pour le débit thermique minimum

Si la flamme s'éteint lorsqu'elle est réglée pour le débit thermique minimum (position LO), le réglage du débit thermique minimum doit être ajusté.

- Fermer le robinet et laisser les brûleurs refroidir complètement.
- Allumer le brûleur Power™ - voir les instructions à la section "Utilisation du brûleur Power™ d'extérieur".
- Placer le brûleur au réglage le plus bas et ôter le bouton.
- Immobiliser la tige de réglage du robinet avec une pince et insérer un petit tournevis à lame plate dans la tige creuse.
- Observer les flammes sur le brûleur et faire tourner doucement le tournevis dans le sens antihoraire.
- Régler les flammes pour obtenir des flammes stables de taille minimum.



A. Tige de réglage du robinet

B. Petit tournevis à lame plate

C. Pince

- Réinstaller le bouton de commande et éteindre le brûleur.
- Répéter les étapes 3 à 7 pour chaque brûleur au besoin.

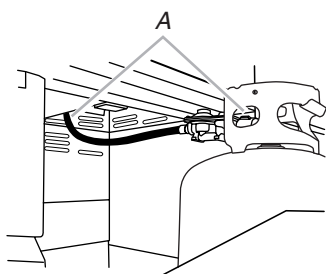
UTILISATION DU BRÛLEUR POWER™ D'EXTÉRIEUR

Inspection du tuyau d'alimentation de la bouteille de gaz propane

Avant chaque utilisation, inspecter l'ensemble détendeur/tuyau de raccordement.

1. Ouvrir la porte du placard et faire glisser vers l'extérieur le chariot de la bouteille de gaz propane de 20 lb.
2. Inspecter l'intégralité de l'ensemble détendeur/tuyau de raccordement; rechercher coupures, abrasions ou usure excessive.
3. Si nécessaire, remplacer l'ensemble détendeur/tuyau de raccordement avant d'utiliser le brûleur Power™.

Pour commander, contacter le marchand et utiliser uniquement des tuyaux de remplacement spécifiques au brûleur Power™ utilisé.



A. Ensemble détendeur/tuyau de raccordement

Préparation de l'alimentation en gaz

1. Retirer le chapeau de brûleur Power™ d'extérieur.
2. Vérifier que tous les boutons de commande sont à la position de fermeture OFF.

Ouverture de l'arrivée de gaz

1. Pour les brûleurs Power™ d'extérieur, avec bouteille de gaz propane de 20 lb : ouvrir lentement le robinet de la bouteille.
REMARQUE : En cas d'activation d'un dispositif de limitation du débit de gaz, le brûleur Power™ peut ne pas s'allumer. Si le brûleur Power™ parvient à s'allumer, la taille des flammes sera réduite, de même que le débit thermique. Fermer le robinet de la bouteille de gaz propane de 20 lb ainsi que tous les boutons de commande et attendre 30 secondes. Après la fermeture de la bouteille de gaz propane de 20 lb, ouvrir très lentement le robinet de la bouteille et attendre 5 secondes avant de tenter d'allumer un brûleur.
2. Pour les brûleurs Power™ d'extérieur avec source de gaz autre qu'une bouteille de gaz propane de 20 lb : ouvrir le robinet d'arrêt manuel sur la canalisation de gaz. Le robinet est ouvert lorsque la manette est parallèle à la canalisation de gaz.

Utilisation du brûleur Power™

Selon vos besoins, le brûleur Power™ peut être utilisé avec :

- Le brûleur intérieur fournit la quantité de chaleur la plus faible pour la cuisson de petites quantités d'aliments ou de liquides avec des casseroles et des poêles de taille plus petite.
- Le brûleur extérieur fournit une chaleur élevée pour la cuisson de grandes quantités d'aliments ou de liquides avec des casseroles et des poêles de grande taille.
- Le fonctionnement conjugué du brûleur intérieur et extérieur fournit une chaleur très élevée pour la cuisson de très grandes quantités d'aliments ou de liquides avec des casseroles et des poêles de très grande taille.

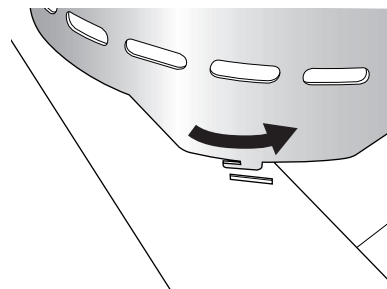
Cerclage de wok

REMARQUE : Le brûleur Power™ peut être utilisé avec ou sans le cerclage de wok. Sans le cerclage de wok, la zone de chaleur s'étend jusqu'aux bords de la grille.

IMPORTANT : Avant de retirer la grille du brûleur Power™ s'assurer que l'alimentation en gaz est coupée, que toutes les commandes sont à la position d'arrêt Off et que le brûleur Power™ est froid.

Retrait du cerclage de wok

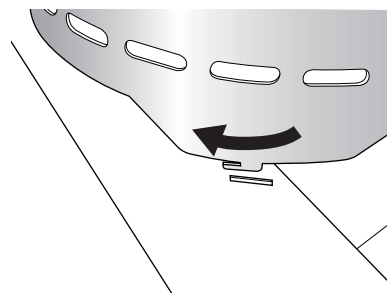
1. Enlever la grille du brûleur Power™.
2. Retirer le cerclage de wok. Tourner dans le sens antihoraire, soulever et mettre de côté pour utilisation ultérieure avec un wok.



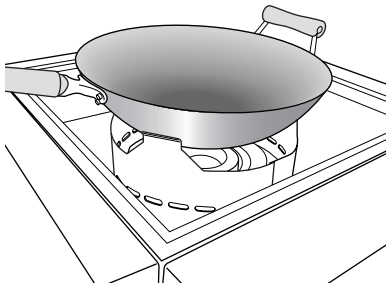
3. Réinstaller la grille de brûleur.

Réinstallation du cerclage de wok :

1. Retirer la grille du brûleur Power™ et la mettre de côté pour utilisation ultérieure.
2. Placer le cerclage de wok dans les encoches du pourtour du brûleur Power™. Tourner dans le sens horaire pour fixer.



- Placer le wok sur le cerclage de wok.



Allumage du brûleur Power™

⚠ AVERTISSEMENT



Risque de brûlures

La flamme du brûleur ne doit pas dépasser du bord du récipient de cuisson.

Le non-respect de cette instruction peut causer des brûlures.

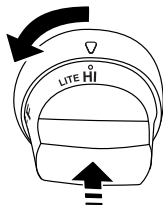
⚠ AVERTISSEMENT

Risque d'empoisonnement alimentaire

Ne pas laisser des aliments reposer plus d'une heure avant ou après la cuisson.

Le non-respect de cette instruction peut causer un empoisonnement alimentaire ou une maladie.

- Retirer le chapeau de protection du brûleur Power™. Ne pas allumer un brûleur lorsque le chapeau est en place.
- Ne pas se pencher au-dessus du brûleur Power™.
- Enfoncer et tourner le bouton de commande à la position LITE/HI (allumage/élevée) pour le brûleur intérieur ou extérieur; le maintenir enfoncé.

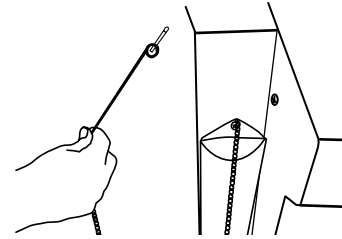


- On doit constater l'allumage de l'allumeur. Lorsque le brûleur est allumé, relâcher le bouton; tourner le bouton de commande au réglage désiré.
- Répéter ce processus pour chaque brûleur, selon le besoin.

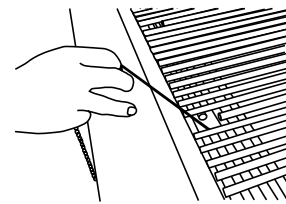
IMPORTANT : Si un brûleur ne s'allume pas immédiatement, ramener le bouton du brûleur à la position d'arrêt OFF et attendre 5 minutes avant une nouvelle tentative.

Allumage manuel du brûleur Power™

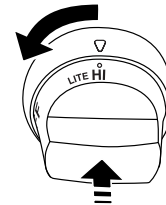
- Retirer le chapeau Power™ d'extérieur.
- Prendre le porte-allumette manuel (voir l'illustration ci-dessous) et fixer une allumette dans la boucle.



- Frotter l'allumette pour l'allumer.
- Guider l'allumette vers le brûleur que l'on souhaite allumer.



- Ne pas se pencher au-dessus du brûleur Power™. Pour le brûleur à allumer, enfoncer et faire tourner le bouton du brûleur jusqu'à la position LITE/HI. Le brûleur s'allume immédiatement. Lorsque le brûleur est allumé, tourner le bouton jusqu'au réglage désiré.



- Répéter l'opération pour chaque brûleur, selon le besoin.
- Retirer l'allumette; réinstaller le porte-allumette à l'intérieur de son support.

IMPORTANT : Si un brûleur ne s'allume pas immédiatement, ramener le bouton du brûleur à la position d'arrêt OFF et attendre 5 minutes avant une nouvelle tentative.

Si un brûleur ne s'allume pas après une tentative d'allumage manuel, contacter le centre d'eXpérience pour la clientèle KitchenAid. Voir la section "Assistance ou service".

ENTRETIEN DU BRÛLEUR POWER™ D'EXTÉRIEUR

Nettoyage général

IMPORTANT : Avant le nettoyage, s'assurer que toutes les commandes sont éteintes et que le brûleur Power™ a refroidi. Toujours suivre les instructions figurant sur les étiquettes des produits de nettoyage.

Pour le nettoyage de routine, laver à l'eau savonneuse à l'aide d'un chiffon doux ou d'une éponge. Rincer à l'eau propre et sécher immédiatement à l'aide d'un chiffon doux, sans charpie, afin d'éviter les taches et traces.

Ne pas utiliser de laine d'acier pour nettoyer le brûleur Power™, car ceci égratignera la surface.

Utiliser le couvercle en acier inoxydable du brûleur Power™ afin d'éviter que le fini ne subisse des dommages liés aux intempéries.

ACIER INOXYDABLE

IMPORTANT : Afin d'éviter d'endommager les surfaces en acier inoxydable, ne pas utiliser de tampons de récurage savonneux, de nettoyeurs abrasifs, de crème à polir pour table de cuisson, de laine d'acier, de chiffons de lavage rugueux ou d'essuie-tout.

Afin d'éviter d'endommager le fini, les produits de nettoyage ne doivent pas contenir de chlore.

Les renversements d'aliments doivent être nettoyés dès que le brûleur Power™ a entièrement refroidi. Les renversements peuvent causer une décoloration permanente.

Méthode de nettoyage :

- Frotter dans la direction du grain pour éviter d'égratigner ou d'endommager la surface.
- Nettoyant et poli pour acier inoxydable KitchenAid® - Référence 4396920 (non incluse) ou chiffons pour acier inoxydable KitchenAid® - Pièce n° 8212510 (non incluse) : Voir la section "Assistance ou service" pour commander.
- Détergent liquide ou nettoyant tous usages
- Rincer à l'eau propre et sécher avec un chiffon doux sans charpie.
- Vinaigre pour éliminer les taches de tartre.
- Nettoyant à vitre pour éliminer les traces de doigts.

EXTÉRIEUR

La qualité de ce matériau résiste à la plupart des taches et piqûres de corrosion dès lors que la surface est astiquée, polie et recouverte.

- Appliquer le produit à astiquer pour acier inoxydable sur toutes les zones non dédiées à la cuisson avant la première utilisation. Appliquer de nouveau après chaque nettoyage pour éviter les dommages permanents à la surface.
- Le nettoyage doit toujours être suivi d'un rinçage à l'eau tiède propre.
- Essuyer complètement la surface à l'aide d'un chiffon doux.
- Pour les taches tenaces ou la graisse incrustée, utiliser le produit dégraissant pour grill de barbecue et de cuisine, pièce n° 31617, un produit conçu pour l'acier inoxydable, vendu dans le commerce.

Voir la section "Assistance ou service" pour commander.

INTÉRIEUR

On doit s'attendre à une décoloration de l'acier inoxydable sur ces pièces, du fait de la chaleur intense provenant des brûleurs. Toujours frotter dans la direction du grain. Le nettoyage doit toujours être suivi d'un rinçage à l'eau tiède propre.

Méthode de nettoyage :

- Détergent liquide ou nettoyant tous usages.
- Rincer à l'eau propre et sécher complètement avec un chiffon doux sans charpie.
- Une éponge à gratter robuste peut être utilisée avec des produits détergents doux.
- Pour les petites zones, difficiles à nettoyer, utiliser le produit dégraissant pour grill de barbecue et de cuisine, référence 31617, un produit conçu pour l'acier inoxydable, vendu dans le commerce.
Voir la section "Assistance ou service" pour commander.

CHAPEAUX ET GRILLE DE BRÛLEUR POWER™

Méthode de nettoyage :

- Nettoyer à l'aide d'une brosse en laiton.
- Laver la grille à l'aide d'un détergent doux, d'eau tiède et d'un produit de dégraissage.
- Rincer à l'eau propre et sécher avec un chiffon doux sans charpie.
- Nettoyant et poli pour acier inoxydable KitchenAid® - Pièce n° 4396920 (non incluse) ou chiffons pour acier inoxydable KitchenAid® - Pièce n° 8212510 (non incluse) : Voir la section "Assistance ou service" pour commander.

BOUTONS ET REBORD DES BOUTONS

IMPORTANT : Pour éviter d'endommager les boutons et le rebord des boutons, ne pas utiliser de laine d'acier, de produits de nettoyage abrasifs ou de nettoyant pour four.

Ne pas immerger les boutons de commande.

Méthode de nettoyage :

- Détergent doux, chiffon doux et eau tiède.
- Rincer et sécher.

ILLUSTRATIONS DU TABLEAU DE COMMANDE

IMPORTANT : Afin d'éviter d'endommager les indications du tableau de commande, ne pas utiliser de laine d'acier, de produits de nettoyage abrasifs ou de nettoyant pour four.

Ne pas vaporiser le nettoyant directement sur le tableau.

Méthode de nettoyage :

- Nettoyer doucement autour des étiquettes des brûleurs; le frottement pourrait effacer les indications.
- Détergent doux, chiffon doux et eau tiède.
- Rincer et sécher.

DÉPANNAGE

Essayer les solutions suggérées ici d'abord afin d'éviter le coût d'une visite de service non nécessaire.

Rien ne fonctionne

- **Le robinet principal d'arrêt du gaz ou le robinet d'arrêt du détendeur sont-ils fermés?**
Voir les Instructions d'installation.
- **Le raccordement de l'alimentation en gaz est-il correctement effectué?**
Contacter un technicien de réparation qualifié ou voir les Instructions d'installation.

AVERTISSEMENT



Risque de choc électrique

Brancher sur une prise à 3 alvéoles reliée à la terre.

Ne pas enlever la broche de liaison à la terre.

Ne pas utiliser un adaptateur.

Ne pas utiliser un câble de rallonge.

Le non-respect de ces instructions peut causer un décès, un incendie ou un choc électrique.

- **Le cordon d'alimentation est-il débranché?**
Brancher sur une prise à 3 alvéoles reliée à la terre.
- **Un fusible est-il grillé ou le disjoncteur s'est-il déclenché?**
Remplacer le fusible ou réenclencher le disjoncteur. Si le problème persiste, contacter un électricien.

ASSISTANCE OU SERVICE

Avant de faire un appel pour assistance ou service, veuillez vérifier la section "Dépannage". Cette vérification peut vous faire économiser le coût d'une visite de service. Si vous avez encore besoin d'aide, suivez les instructions ci-dessous.

Lors d'un appel, veuillez connaître la date d'achat, le numéro de modèle et le numéro de série au complet de l'appareil. Ces renseignements nous aideront à mieux répondre à votre demande.

Si vous avez besoin de pièces de rechange

Si vous avez besoin de commander des pièces de rechange, nous vous recommandons d'employer uniquement des pièces spécifiées par l'usine. Les pièces spécifiées par l'usine fonctionneront bien parce qu'elles sont fabriquées avec la même précision que celle utilisée dans la fabrication de chaque nouvel appareil KITCHENAID®.

Pour localiser des pièces spécifiées par l'usine dans votre région, nous appeler ou contacter le centre de service désigné KitchenAid le plus proche.

Accessoires

Produit dégraissant pour grill de barbecue et de cuisine

Commander la pièce n° 31617

Nettoyant et poli pour acier inoxydable KitchenAid®

Commander la pièce n° 4396920

Chiffons pour acier inoxydable KitchenAid®

Commander la pièce n° 8212510

Au Canada

Veuillez appeler sans frais le Centre pour l'eXpérience de la clientèle de KitchenAid Canada au : **1-800-807-6777**.

Nos consultants vous renseigneront sur les sujets suivants :

- Caractéristiques et spécifications sur toute notre gamme d'appareils électroménagers.
- Consignes d'utilisation et d'entretien.
- Vente d'accessoires et de pièces de rechange.
- Références aux marchands locaux, aux distributeurs de pièces de rechange et aux compagnies de service. Les techniciens de service désignés par KitchenAid Canada sont formés pour remplir la garantie des produits et fournir un service après la garantie, partout au Canada.

Pour plus d'assistance

Si vous avez besoin de plus d'assistance, vous pouvez soumettre par écrit toute question ou préoccupation à KitchenAid Canada à l'adresse suivante :

Centre pour l'eXpérience de la clientèle
KitchenAid Canada
200 - 6750 Century Ave.
Mississauga, Ontario L5N 0B7

Veuillez inclure dans votre correspondance un numéro de téléphone où l'on peut vous joindre dans la journée.

GARANTIE DES PRODUITS POUR USAGE EXTÉRIEUR KITCHENAID®

GARANTIE LIMITÉE

Pendant un an à compter de la date d'achat, lorsque ce produit pour usage extérieur est utilisé et entretenu conformément aux instructions jointes à ou fournies avec le produit, la marque KitchenAid de Whirlpool Corporation ou Whirlpool Canada LP (ci-après désignées "KitchenAid") paiera pour les pièces spécifiées par l'usine et la main-d'œuvre pour corriger les vices de matériaux ou de fabrication. Le service doit être fourni par une compagnie de service désignée par KitchenAid. Cette garantie limitée est valide uniquement aux États-Unis ou au Canada et s'applique exclusivement lorsque l'appareil pour usage extérieur est utilisé dans le pays où il a été acheté. À l'extérieur du Canada et des 50 États des États-Unis, cette garantie limitée ne s'applique pas. Une preuve de la date d'achat original est exigée pour obtenir un service dans le cadre de la présente garantie limitée.

GARANTIE LIMITÉE DE LA DEUXIÈME À LA CINQUIÈME ANNÉE INCLUSIVEMENT SUR LES PIÈCES POUR LES GRILS UNIQUEMENT

De la deuxième à la cinquième année inclusivement à compter de la date d'achat, lorsque ce gril est utilisé et entretenu conformément aux instructions jointes à ou fournies avec le produit, KitchenAid paiera pour les pièces spécifiées par l'usine pour corriger les vices de matériaux ou de fabrication.

GARANTIE LIMITÉE À VIE SUR LES COMPOSANTS EN ACIER INOXYDABLE POUR LES GRILS UNIQUEMENT

Pour la durée de vie du produit, lorsque ce gril est utilisé et entretenu conformément aux instructions jointes à ou fournies avec le produit, KitchenAid paiera pour le remplacement de la structure en acier inoxydable en cas de vices de matériaux ou de fabrication. Pour la durée de vie du produit, lorsque ce gril est utilisé et entretenu conformément aux instructions jointes à ou fournies avec le produit, KitchenAid paiera pour les pièces de rechange des brûleurs du gril en acier inoxydable.

ARTICLES EXCLUS DE LA GARANTIE

La présente garantie limitée ne couvre pas :

1. Les visites de service pour rectifier l'installation du produit pour usage extérieur, montrer à l'utilisateur comment utiliser l'appareil pour usage extérieur, remplacer ou réparer des fusibles ou rectifier le câblage ou la plomberie du domicile.
2. Les défauts apparents, notamment les éraflures, les bosses, fissures ou tout autre dommage au fini du produit pour usage extérieur, à moins que ces dommages soient dus à des vices de matériaux ou de fabrication et soient signalés à KitchenAid dans les 30 jours suivant la date d'achat.
3. Les réparations lorsque le produit pour usage extérieur est utilisé à des fins autres que l'usage unifamilial normal ou lorsque les instructions d'installation et/ou les instructions de l'opérateur ou de l'utilisateur fournies ne sont pas respectées.
4. Les dommages imputables à : accident, modification, usage impropre ou abusif, incendie, inondation, actes de Dieu, installation fautive ou installation non conforme aux codes d'électricité ou de plomberie, ou l'utilisation de pièces consommables ou de produits nettoyants non approuvés par KitchenAid.
5. L'ensemble de conversion ou l'appel de service pour la conversion de produit pour usage extérieur de gaz naturel à propane ou de propane à gaz naturel.
6. Les coûts associés au transport du produit pour usage extérieur du domicile pour réparation. Ce produit pour usage extérieur est conçu pour être réparé à domicile et seul le service à domicile est couvert par la présente garantie.
7. Les réparations aux pièces ou systèmes résultant d'une modification non autorisée faite à l'appareil pour usage extérieur.
8. Les frais de transport pour le service d'un produit si votre appareil pour usage extérieur est situé dans une région éloignée où un service d'entretien KitchenAid autorisé n'est pas disponible.
9. La dépose et la réinstallation de votre appareil pour usage extérieur si celui-ci est installé dans un endroit inaccessible ou n'est pas installé conformément aux instructions d'installation fournies.
10. Les dommages résultant de l'usure normale du produit pour usage extérieur.
11. Les appareils pour usage extérieur dont les numéros de série et de modèle originaux ont été enlevés, modifiés ou qui ne peuvent pas être facilement identifiés. La présente garantie est nulle si le numéro de série d'usine a été modifié ou enlevé du produit pour usage extérieur.

Le coût d'une réparation ou d'un remplacement dans le cadre de ces circonstances exclues est à la charge du client.

CLAUSE D'EXONÉRATION DE RESPONSABILITÉ AU TITRE DES GARANTIES IMPLICITES; LIMITATION DES RECOURS

LE SEUL ET EXCLUSIF RECOURS DU CLIENT DANS LE CADRE DE LA PRÉSENTE GARANTIE LIMITÉE CONSISTE EN LA RÉPARATION PRÉVUE CI-DESSUS. LES GARANTIES IMPLICITES, Y COMPRIS LES GARANTIES APPLICABLES DE QUALITÉ MARCHANDE ET D'APTITUDE À UN USAGE PARTICULIER, SONT LIMITÉES À UN AN OU À LA PLUS COURTE PÉRIODE AUTORISÉE PAR LA LOI. KITCHENAID N'ASSUME AUCUNE RESPONSABILITÉ POUR LES DOMMAGES FORTUITS OU INDIRECTS. CERTAINES JURIDICTIONS NE PERMETTENT PAS L'EXCLUSION OU LA LIMITATION DES DOMMAGES FORTUITS OU INDIRECTS, OU LES LIMITATIONS DE LA DURÉE DES GARANTIES IMPLICITES DE QUALITÉ MARCHANDE OU D'APTITUDE À UN USAGE PARTICULIER, DE SORTE QUE CES EXCLUSIONS OU LIMITATIONS PEUVENT NE PAS S'APPLIQUER DANS VOTRE CAS. CETTE GARANTIE VOUS CONFÈRE DES DROITS JURIDIQUES SPÉCIFIQUES ET VOUS POUVEZ ÉGALEMENT JOUIR D'AUTRES DROITS QUI PEUVENT VARIER D'UNE JURIDICTION À UNE AUTRE.

Si vous résidez à l'extérieur du Canada et des 50 États des États-Unis, contactez votre marchand KitchenAid autorisé pour déterminer si une autre garantie s'applique.

Si vous avez besoin de service, voir d'abord la section "Dépannage" du Guide d'utilisation et d'entretien. Après avoir vérifié la section "Dépannage", de l'aide supplémentaire peut être trouvée en vérifiant la section "Assistance ou service" ou en appelant KitchenAid. Aux É.-U., composer le **1-800-422-1230**. Au Canada, composer le **1-800-807-6777**.

2/09

Conservez ce manuel et votre reçu de vente ensemble pour référence ultérieure. Pour le service sous garantie, vous devez présenter un document prouvant la date d'achat ou d'installation.

Inscrivez les renseignements suivants au sujet de votre gros appareil ménager pour mieux vous aider à obtenir assistance ou service en cas de besoin. Vous devrez connaître le numéro de modèle et le numéro de série au complet. Vous trouverez ces renseignements sur la plaque signalétique située sur le produit.

Nom du marchand _____

Adresse _____

Numéro de téléphone _____

Numéro de modèle _____

Numéro de série _____

Date d'achat _____

W10243318B

© 2010. All rights reserved.
Tous droits réservés.

® Registered Trademark/TM Trademark of KitchenAid, U.S.A., KitchenAid Canada licensee in Canada
® Marque déposée/TM Marque de commerce de KitchenAid, U.S.A., Emploi sous licence par KitchenAid Canada au Canada

11/10
Printed in China
Imprimé en Chine

Free Manuals Download Website

<http://myh66.com>

<http://usermanuals.us>

<http://www.somanuals.com>

<http://www.4manuals.cc>

<http://www.manual-lib.com>

<http://www.404manual.com>

<http://www.luxmanual.com>

<http://aubethermostatmanual.com>

Golf course search by state

<http://golfingnear.com>

Email search by domain

<http://emailbydomain.com>

Auto manuals search

<http://auto.somanuals.com>

TV manuals search

<http://tv.somanuals.com>