

Installation Instructions

Part No. 9752043 Rev. B

⚠ WARNING



Tip Over Hazard

A child or adult can tip the range and be killed. Connect anti-tip bracket to rear range foot. Reconnect the anti-tip bracket, if the range is moved. Failure to follow these instructions can result in death or serious burns to children and adults.

IMPORTANT:
Read and save
these instructions.

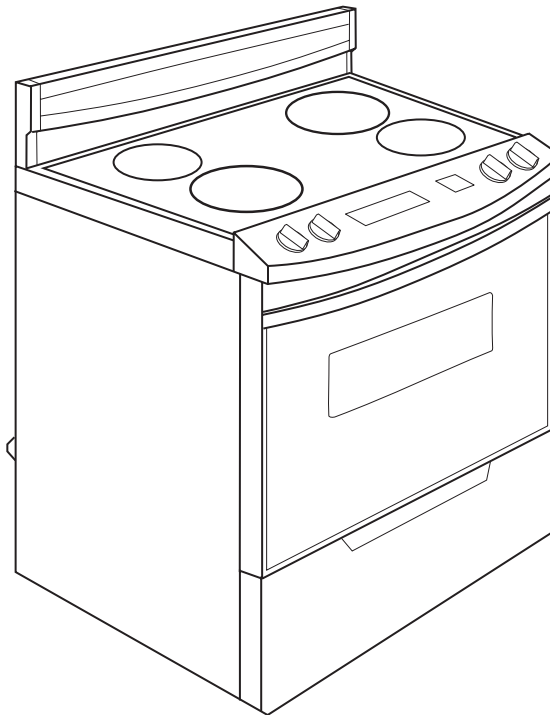
IMPORTANT:

Installer: Leave Installation Instructions with the homeowner.

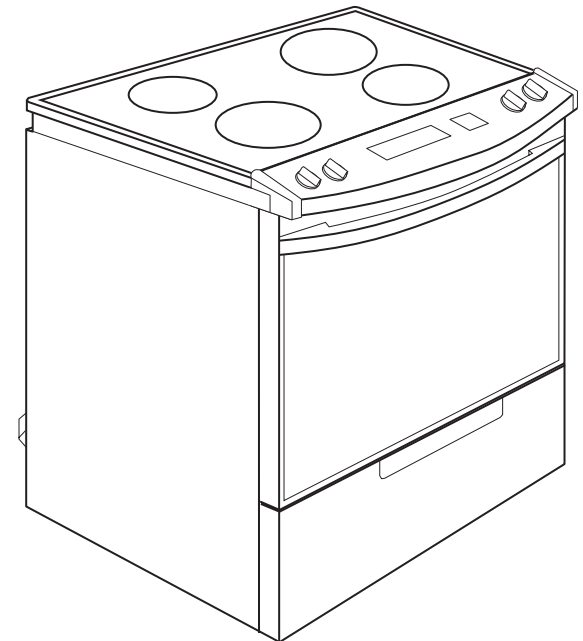
Homeowner: Keep Installation Instructions and anti-tip bracket template for future reference.

Save Installation Instructions for local electrical inspector's use.

30" (76.2 cm)
Electric Range
with self-cleaning
thermal/convection oven



Freestanding Range



Slide-in Range

Before you start...

Your safety and the safety of others are very important.

We have provided many important safety messages in this manual and on your appliance. Always read and obey all safety messages.



This is the safety alert symbol.

This symbol alerts you to potential hazards that can kill or hurt you and others.

All safety messages will follow the safety alert symbol and either the word "DANGER" or "WARNING". These words mean:

DANGER

You can be killed or seriously injured if you don't immediately follow instructions.

WARNING

You can be killed or seriously injured if you don't follow instructions.

All safety messages will tell you what the potential hazard is, tell you how to reduce the chance of injury, and tell you what can happen if the instructions are not followed.

Read electrical and carpentry instructions.

Proper installation is your responsibility. A qualified technician must install this range. Make sure you have everything necessary for correct installation. It is the customer's responsibility to make sure that the countertop has been properly prepared and that the installation clearances specified on the model/serial rating plate are met. The model/serial rating plate is located on the oven frame behind the drawer.

Check location where range will be installed. The range should be located for convenient use in the kitchen. Recessed installations must provide complete enclosure of the sides and rear of range.

ALL OPENINGS IN THE WALL OR FLOOR WHERE RANGE IS TO BE INSTALLED MUST BE SEALED.

IMPORTANT: Some cabinet and building materials are not designed to withstand the heat produced by the oven for baking and self-cleaning. Check with your builder or cabinet supplier to make sure that the materials used will not discolor, delaminate or sustain other damage.

It is the customer's responsibility:

To contact a qualified electrical installer.

To assure that the electrical installation is adequate and in conformance with National Electrical Code, ANSI/NFPA 70 — latest edition*, or CSA Standard C22.1, Canadian Electrical Code, Part 1 — latest edition**, and all local codes and ordinances.

Note: The metal chassis of the range MUST be grounded in order for the control panel to work. If the metal chassis of the range is not grounded, NO keypads will operate. Check with a qualified electrician if you are in doubt as to whether the metal chassis of range is grounded.

Mobile home installation

The installation of this range must conform to the Manufactured Home Construction and Safety Standards, Title 24 CFR, Part 3280 (formerly the Federal Standard for Mobile Home Construction and Safety, Title 24, HUD, Part 280); or when such standard is not applicable, the Standard for Manufactured Homes Installations (Manufactured Home Sites, Communities and Setups), ANSI A225.1/NFPA 501A, or with local codes*.

In Canada, the installation of this range must conform with the current standards CAN/CSA-Z240 — latest edition**, or with local codes.

When this range is installed in a mobile home, it must be secured to the floor during transit. Any method of securing the range is adequate as long as it conforms to the standards listed above.

Four-wire power supply cable must be used in a mobile home installation. The appliance wiring will need to be revised. See four-wire electrical connection, Panel B.

Copies of the standards listed may be obtained from:

* National Fire Protection Association
One Batterymarch Park
Quincy, Massachusetts 02269

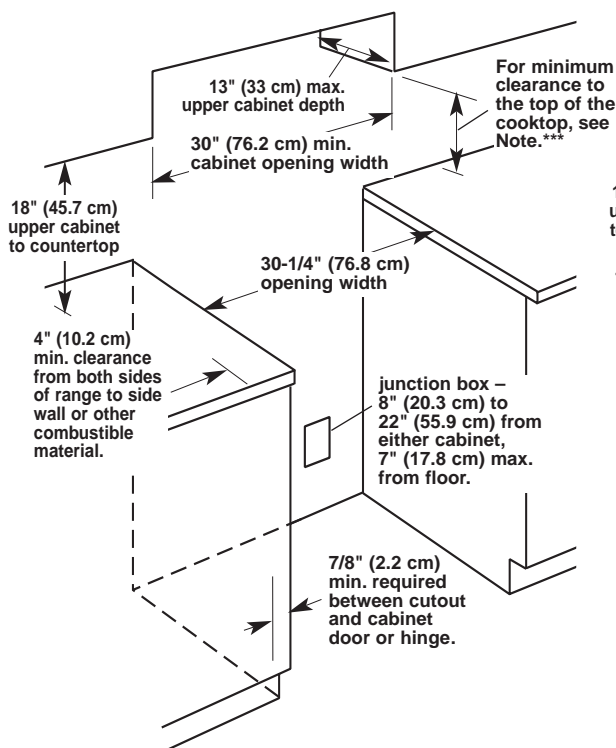
** Canadian Standard Association
178 Rexdale Boulevard
Rexdale (Toronto), Ontario M9W 1R3

Panel A

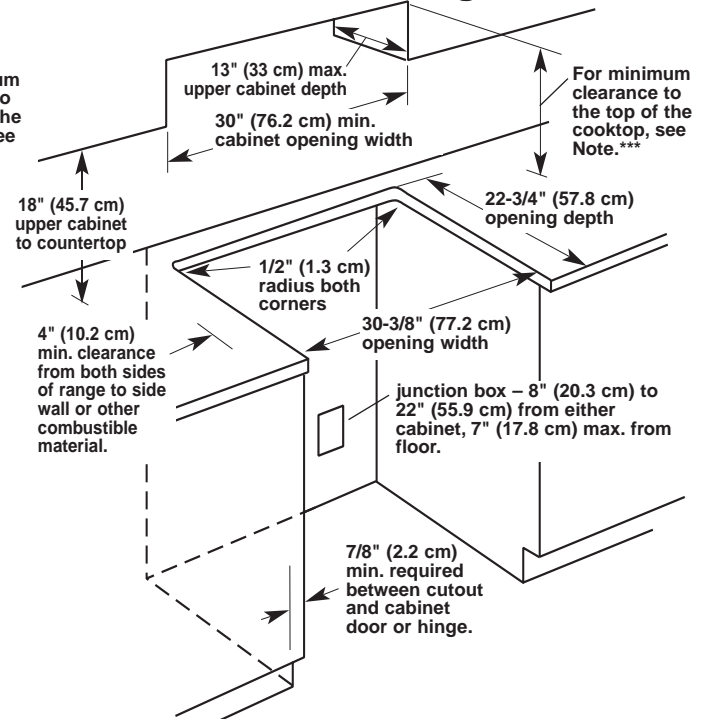
Cabinet opening dimensions

25" (63.5 cm) countertop depth and 24" (61 cm) base cabinet depth, 36" (91.4 cm) countertop height

Freestanding Range



Slide-in Range



*** Note: 24" (61 cm) min. when bottom of wood or metal cabinet is protected by not less than 1/4" (0.64 cm) flame retardant millboard covered with not less than No. 28 MSG sheet steel, 0.015" (0.4 mm) stainless steel, 0.024" (0.6 mm) aluminum or 0.020" (0.5 mm) copper.
30" (76.2 cm) min. clearance between the top of the cooking platform and the bottom of an unprotected wood or metal cabinet.

Important: Observe all governing codes and ordinances.

When installing a range under existing cabinets and the installation does not meet the minimum cabinet clearances, install a range hood above the cooktop to avoid burn hazards.

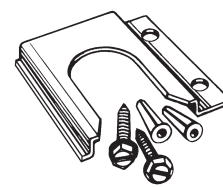
Grounded electrical outlet is required. See "Electrical requirements," Panel B.

Cabinet opening dimensions that are shown must be used. Given dimensions are minimum clearances.

Do Not pinch the power supply cord between the range and the wall.

Do Not seal range to side cabinets.

Anti-tip bracket:



The floor anti-tip bracket **MUST** be installed. To install the anti-tip bracket shipped with the range, see Panel C and the anti-tip bracket template.

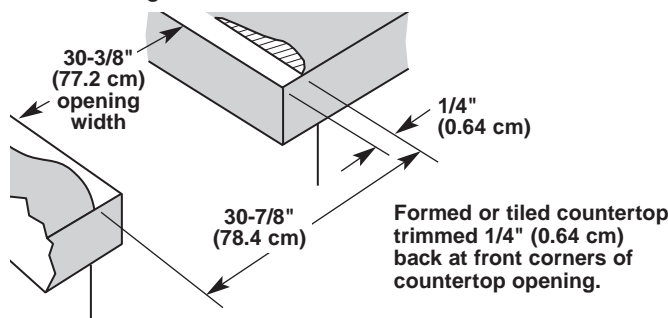
Slide-in ranges: countertop preparation

The cooktop sides of the slide-in range fit over the cutout edge of your countertop.

If you have a square finish (flat) countertop and the opening width is 30-3/8" (77.2 cm), no countertop preparation is required.

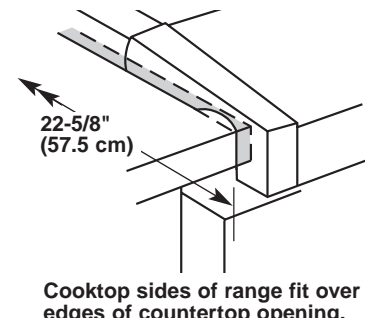
Formed front-edged countertops: Must have molded edge shaved flat 1/4" (0.64 cm) from each front corner of opening.

Tile countertops may need trim cut back 1/4" (0.64 cm) from each front corner and/or rounded edge flattened.



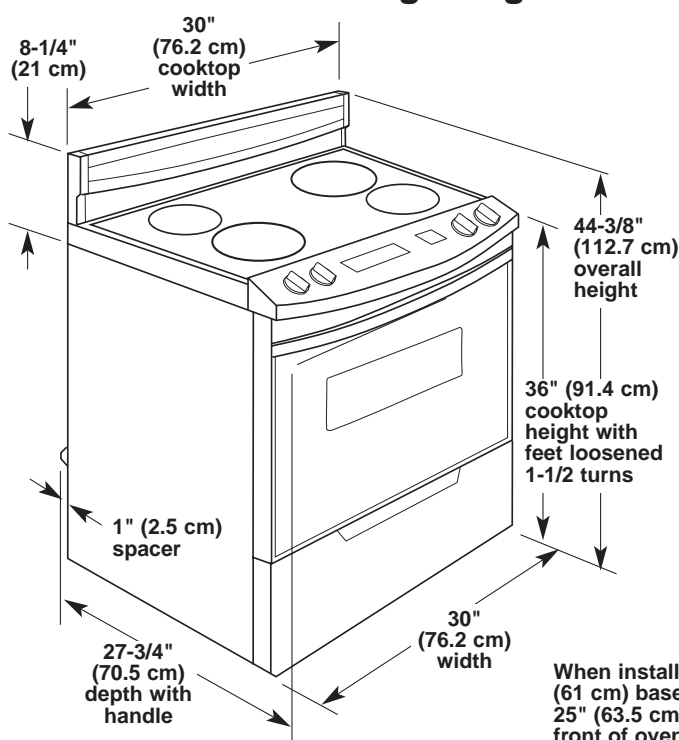
If countertop opening width is greater than 30-3/8" (77.2 cm), adjust the 1/4" (0.64 cm) dimension.

Countertop must be level. Place level on countertop, first side to side; then front to back. If countertop is not level, range will not be level. Oven must be level for satisfactory baking conditions.

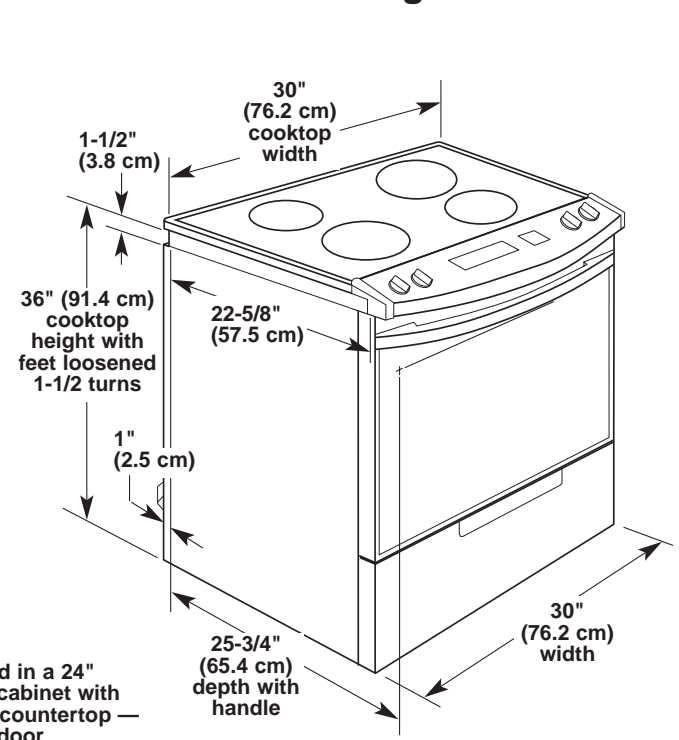


Product dimensions

Freestanding Range



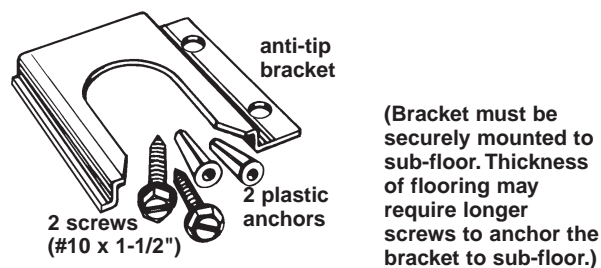
Slide-in Range



Tools needed for installation:



Parts supplied for installation:



Electrical requirements

⚠ WARNING



Electrical Shock Hazard

Electrically ground range.
Failure to follow these instructions can result in death, fire, or electrical shock.

If codes permit and a separate ground wire is used, it is recommended that a qualified electrician determine that the ground path is adequate.

Do Not ground to a gas pipe.

Check with a qualified electrician if you are not sure range is grounded.

Do Not have a fuse in the neutral or ground circuit.

A. When a four-wire or three-wire, single-phase, 120/240-volt, 60-Hz, AC-only, electrical supply is available, a 50-ampere maximum circuit protection is required, (or, if specified on the model/serial rating plate, when a four-wire or three-wire, single-phase 120/208-volt, 60 Hz, AC-only electrical supply is available, a 40-ampere maximum circuit protection is required), fused on both sides of the line. A time-delay fuse or circuit breaker is recommended. The model/serial rating plate is located on the oven frame behind the drawer.

B. THE RANGE MUST BE CONNECTED WITH COPPER WIRE ONLY.

C. Wire sizes and connections must conform to the requirements of the National Electrical Code, ANSI/NFPA 70 — latest edition* or CSA Standard C22.1, Canadian Electrical Code, Part 1 — latest edition** and all local codes and ordinances for the kilowatt rating of the range.

Copies of the standards listed may be obtained from:

* National Fire Protection Association
One Batterymarch Park
Quincy, Massachusetts 02269

** Canadian Standard Association
178 Rexdale Boulevard
Rexdale (Toronto), Ontario M9W 1R3

Panel B

D. This range should be connected directly to the fused disconnect or circuit breaker box through flexible, armored or non-metallic sheathed, copper cable (with ground wire). Locate the junction box to allow two to three feet of slack in the line so that the range can be moved if servicing is ever necessary. Do Not cut the conduit.

A U.L.-listed conduit connector **must** be provided at each end of the power supply cable (at the range and at the junction box). Wires sizes (COPPER WIRE ONLY) and connections must conform with the rating of the range.

Electrical connection

⚠ WARNING



Electrical Shock Hazard

Turn power supply off before connecting wires.

Use 8-gauge solid copper wire.

Electrically ground range.

Failure to follow these instructions can result in death, fire, or electrical shock.

This range must be connected to a grounded, metallic, permanent wiring system, or a ground connector should be connected to the ground terminal or wire lead on the range.

This range is manufactured with white (neutral) power supply wire and a cabinet-connected green ground wire twisted together.

Connect the range cable to the junction box through a U.L.-listed conduit connector. Complete electrical connection according to local codes and ordinances.

Note: The metal chassis of the range MUST be grounded in order for the control panel to work. If the metal chassis of the range is not grounded, NO keypads will operate. Check with a qualified electrician if you are in doubt as to whether the metal chassis of range is grounded.

A. If connecting to a four-wire electrical system...

Do Not connect the cabinet-grounding conductor to the neutral (white) junction box wire:

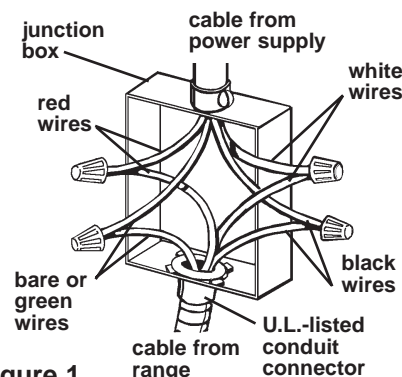


Figure 1

1. Disconnect the power supply.
2. Separate the green (or bare) and white appliance cable wires.
3. Connect the white appliance cable wire to the neutral (white) wire in the junction box.
4. Connect the two black wires together; then the two red wires together. See Figure 1.
5. Connect the green appliance cable wire to the green ground wire in the junction box.

B. Where local codes permit... connecting the cabinet-grounding conductor to the neutral (white) junction box wire:

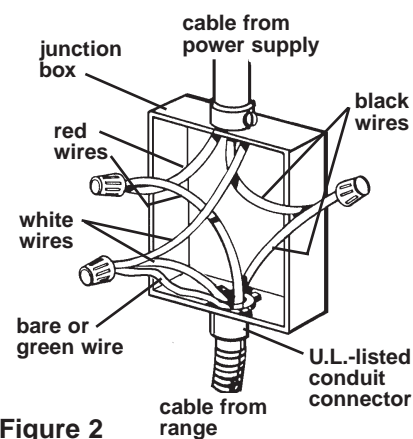


Figure 2

Grounded Neutral

1. Disconnect the power supply.
2. Remove the terminal block cover.
3. Connect together 3 wires: green and white appliance cable wires and the neutral (white) wire in junction box.
4. Connect the two black wires together; then the two red wires together. See Figure 2.

C. Where local codes DO NOT permit... connecting the cabinet-grounding conductor to the neutral (white) junction box wire.

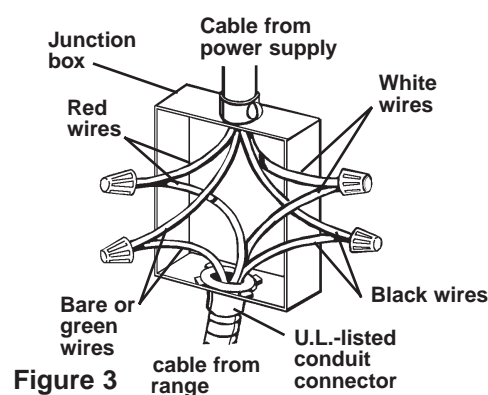


Figure 3

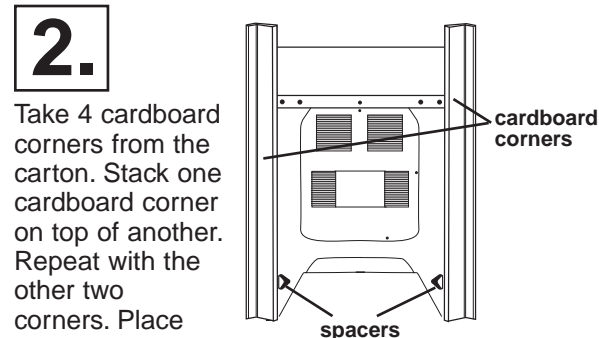
Grounded Neutral

1. Disconnect the power supply.
2. Separate the green and white appliance cable wires.
3. Connect the white appliance cable wire to the neutral (white) wire in the junction box.
4. Connect the two black wires together; then the two red wires together. See Figure 3.
5. Connect the green or bare ground wire from the appliance cable to a grounded wire in the junction box.

Now start...

With range in kitchen.

1. Put on safety glasses and gloves. Remove shipping materials, tape and protective film from range. Keep cardboard bottom and shipping base under range. Remove oven racks and parts package from inside oven.



2. Take 4 cardboard corners from the carton. Stack one cardboard corner on top of another. Repeat with the other two corners. Place corners lengthwise on the floor in back of range so corners will support outer side edges of range as shown.

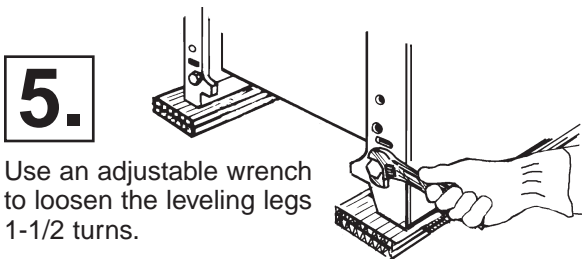
WARNING

Excessive Weight Hazard

Use two or more people to move and install range.
Failure to follow this instruction can result in back or other injury.

3. Firmly grasp the range and gently lay it on its back on the cardboard corners.

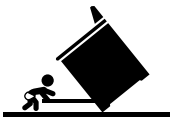
4. Pull cardboard bottom and shipping base firmly to remove.



Use an adjustable wrench to loosen the leveling legs 1-1/2 turns.

6. Place cardboard or hardboard in front of range. Stand range back up onto cardboard or hardboard.

WARNING



Tip Over Hazard

A child or adult can tip the range and be killed.

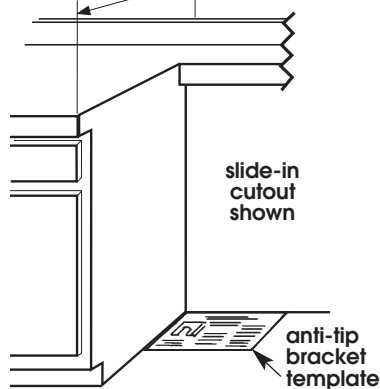
Connect anti-tip bracket to rear range foot. Reconnect the anti-tip bracket, if the range is moved.

Failure to follow these instructions can result in death or serious burns to children and adults.

7.

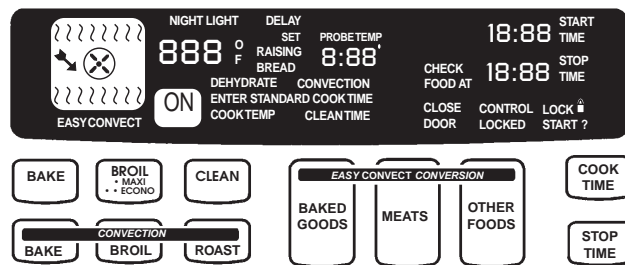
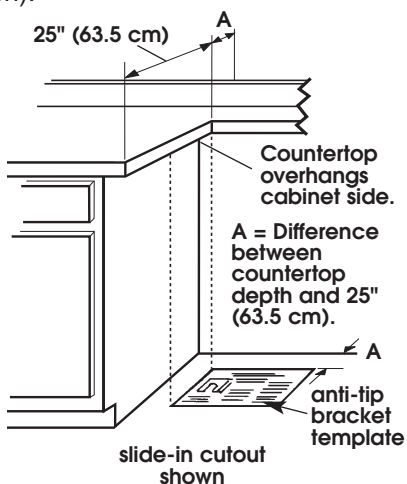
25" (63.5 cm) countertop over 24" (61 cm) cabinet

Place the anti-tip bracket template on the floor in the cabinet opening so that the left edge is against cabinets and the top edge is against the rear wall, molding or cabinet. If



countertop opening is deeper than 25 inches (63.5 cm), measure and mark a distance 25 inches (63.5 cm) in from front of countertop opening and align template with mark (or subtract 25 inches (63.5 cm) from countertop depth and add the difference to the 2-1/4-inch (5.7 cm) dimension).

If countertop is not flush to the side of cabinet opening, align the left side of the template to allow for the countertop overhang. Tape the range anti-tip bracket template in place.



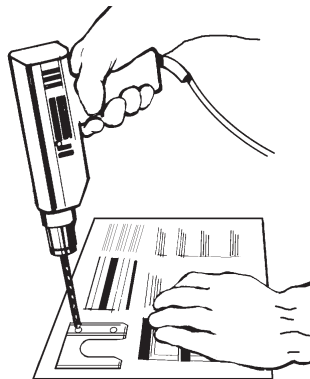
Control panels may vary.

Contact a qualified floor covering installer for the best procedure of drilling mounting holes through your type of floor covering.

Before moving, slide range onto cardboard or hardboard.

8.

To mount anti-tip bracket to wood floor, use the anti-tip bracket template to mark where to drill mounting holes. Use a drill with a 1/8" (0.3 cm) drill bit to drill the two holes. Remove template from floor.

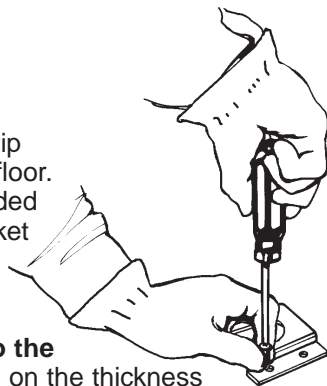


To mount anti-tip bracket to concrete or ceramic floor, use the anti-tip bracket template to mark where to drill mounting holes. Use a drill with a 3/16" (0.48 cm) masonry drill bit to drill the two holes. Remove template from floor. Tap plastic anchors into mounting holes in floor with hammer.

9.

Line up holes in anti-tip bracket with holes in floor. Use the screws provided to fasten anti-tip bracket to floor.

NOTE: Anti-tip bracket must be mounted securely to the sub floor. Depending on the thickness of your flooring, longer screws may be necessary to anchor the bracket to the sub floor. Longer screws are available from your local hardware store.

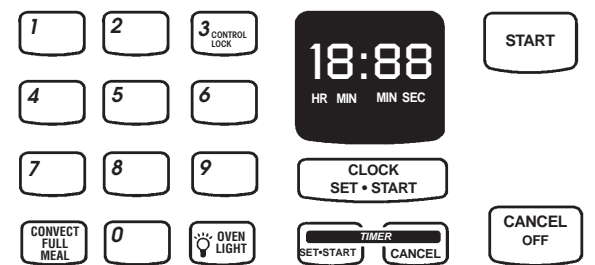
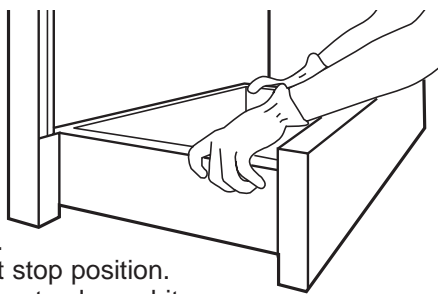


10. Move range close to cabinet opening. Make electrical connection. See "Electrical requirements" and "Electrical connection," Panel B, for details. "8888" should appear in the clock display. Refer to Use and Care Guide for information on electronic controls.

11. Remove cardboard or hardboard from under range. Carefully move range into final position.

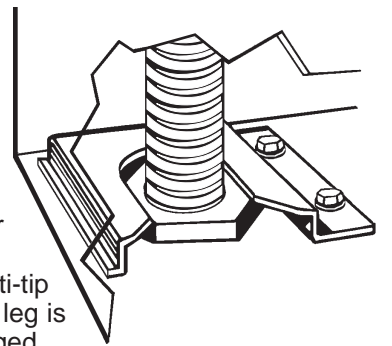
12.

Press on front of storage drawer and release to open. Pull open to first stop position. Lift front of drawer to clear white wheels in drawer guides. Remove drawer and set it aside on a protected surface.



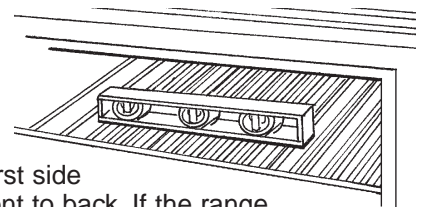
13.

Look under range (a flashlight may be needed) to check that left rear leveling leg is engaged in the anti-tip bracket. If leveling leg is not properly engaged, remove and reposition the anti-tip bracket to insure that the leveling leg fits properly in the anti-tip bracket.



14.

Place rack in oven. Place level on rack, first side to side; then front to back. If the range is not level, pull range forward until the rear leveling leg is removed from the anti-tip bracket. Adjust the leveling legs up or down. Then slide range back into position. Check that leveling leg is engaged in anti-tip bracket.



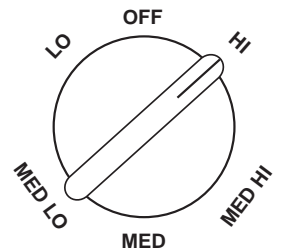
NOTE: Oven must be level for satisfactory baking conditions.

15.

Insert storage drawer into slide rails on sides of drawer opening. Lift front of drawer slightly and push firmly to close drawer.

16.

Push in and turn each surface unit control knob to "HI" position. Check the operation of the cooktop elements and indicator lights.



17.

Check the operation of the oven element. Press the "BAKE" pad. "350°F" will appear in the temperature display. Press the "START" pad. "Lo" will appear in the display; then "170°F" (when oven reaches 170°F).

The bottom element should glow red and the indicator light should be on. The upper element should become hot but not glow red. As the oven temperature rises, the temperature in the display will increase in 5°F increments until the oven reaches the set temperature. Press "CANCEL/OFF" pad.

18.

Check the operation of the broil element. Close the oven door. Press the "BROIL" pad. "500°F" will appear in the temperature display. Press the "START" pad. Look through the oven window. The top element should glow red. Press the "CANCEL/OFF" pad.

To get the most efficient use from your new electric range, read your KitchenAid Use and Care Guide. Keep Installation Instructions and Guide close to the electric range for easy reference.

If the range does not operate...

- Check that the circuit breaker is not tripped or the house fuse blown.
- Check that power supply cord is plugged into wall receptacle.

NOTE:

Refer to Use and Care Guide for operating instructions and cleaning instructions.

WARNING



Tip Over Hazard

A child or adult can tip the range and be killed.

Connect anti-tip bracket to rear range foot.

Reconnect the anti-tip bracket, if the range is moved.

Failure to follow these instructions can result in death or serious burns to children and adults.

For cleaning and maintenance...

If removing the range is necessary for cleaning or maintenance, disconnect the electric supply. If electrical supply is inaccessible, lift the range slightly at the front and pull the range away from the wall. Pull the range out only as far as necessary to disconnect the electrical supply line.

Remove the range to complete cleaning or maintenance.

Move range back into operating position. Remove drawer. Level the range. Reconnect the electrical supply. Make sure that left rear leveling leg is engaged in the anti-tip bracket.

Accessories

Slide-in ranges only:

- Horizontal Backguard
Part No. 9752090PW – White
9752090PT – Almond
9752090PB – Black

If you need assistance...

The KitchenAid Consumer Assistance Center will answer any questions about operating or maintaining your range not covered in the Installation Instructions. The KitchenAid Consumer Assistance Center is open 24 hours a day, 7 days a week. Just dial 1-800-422-1230 – the call is free within the continental United States.

When you call, you will need the range model number and serial number. Both numbers can be found on the model/serial rating plate located on the oven frame behind the door.

If you need service...

In the event that your KitchenAid appliance should need service, call the dealer from whom you purchased the appliance or a KitchenAid-authorized service company. A KitchenAid-authorized service company is listed in the Yellow Pages of your telephone directory under "Appliances – Household – Major – Service & Repair." You can also obtain the service company's name and number by dialing, free within the continental United States, the KitchenAid Consumer Assistance Center telephone number, 1-800-422-1230. A special operator will tell you the name of your nearest KitchenAid-authorized service company.

Maintain the quality built into your KitchenAid appliance — call a KitchenAid-authorized service company.

KitchenAid[®]
HOME APPLIANCES

Part No. 9752043 Rev. B

© 2000 KitchenAid

® Registered Trademark of KitchenAid.

Prepared by KitchenAid, Benton Harbor, Michigan 49022

Printed in U.S.A.

Free Manuals Download Website

<http://myh66.com>

<http://usermanuals.us>

<http://www.somanuals.com>

<http://www.4manuals.cc>

<http://www.manual-lib.com>

<http://www.404manual.com>

<http://www.luxmanual.com>

<http://aubethermostatmanual.com>

Golf course search by state

<http://golfingnear.com>

Email search by domain

<http://emailbydomain.com>

Auto manuals search

<http://auto.somanuals.com>

TV manuals search

<http://tv.somanuals.com>