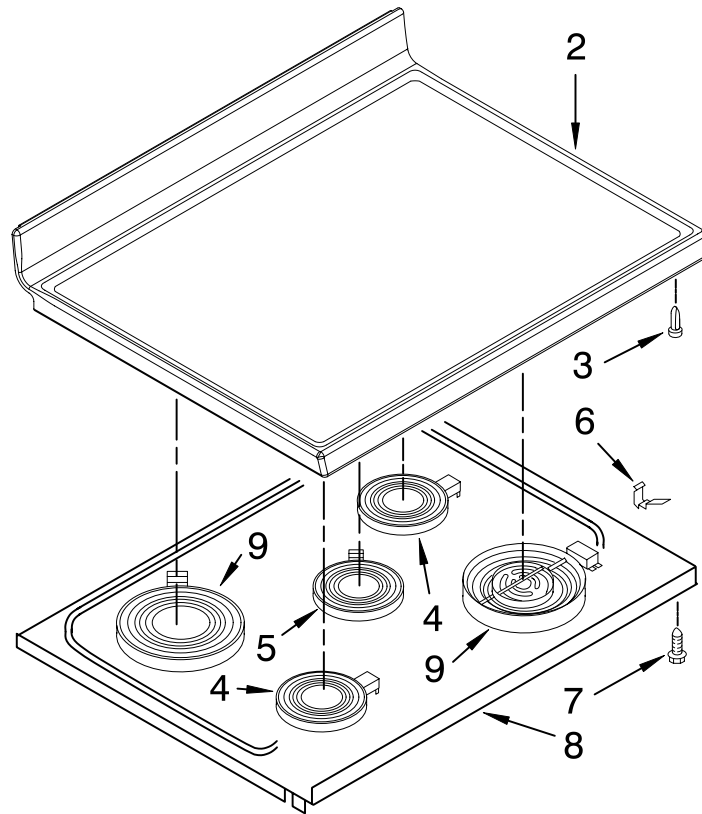
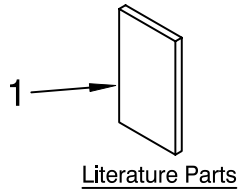


For Models: KERS205TWH3, KERS205TBL3, KERS205TSS3, KERS205TBT3  
(White) (Black) (S.Steel) (Biscuit)

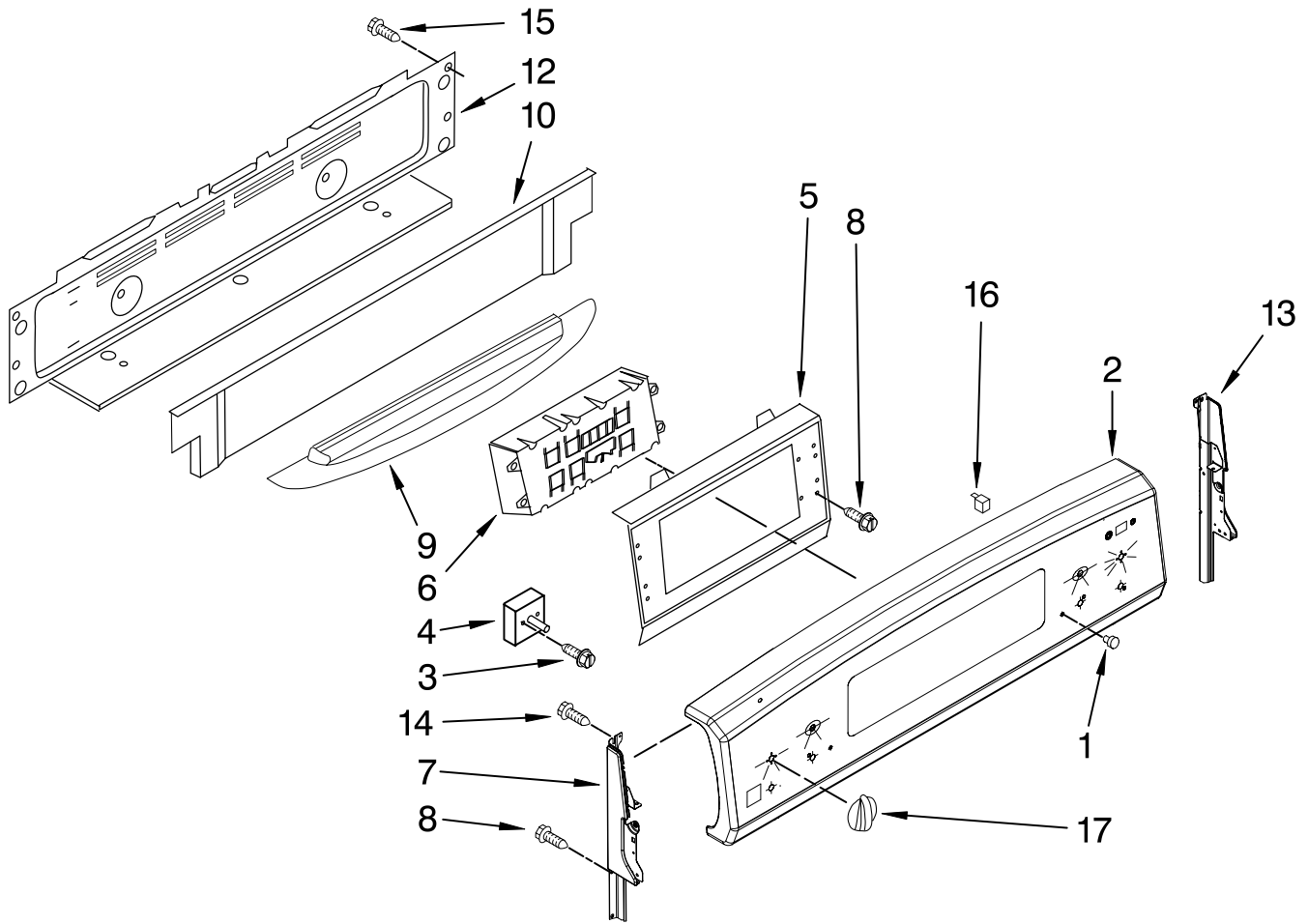


| Illus. No. | Part No.    | DESCRIPTION               |
|------------|-------------|---------------------------|
| 1          |             | Literature Parts          |
|            | W10168033   | Use & Care Guide          |
|            | W10167997   | Wiring Diagram            |
|            | W10185365   | Installation Instructions |
| 2          |             | Cooktop                   |
|            | W10160619   | White                     |
|            | W10160621   | Black                     |
|            | W10160620   | Biscuit                   |
| 3          | 8010P149-60 | Spacer Snap-In (4)        |
| 4          | 7406P365-60 | Element LF/RR (2)         |
| 5          | 9762851     | Element, Warm             |
| 6          | 7803P087-60 | Spring, Element           |
| 7          | 3196165     | Screw                     |
| 8          | 4011F497-51 | Bottom, Burner Box        |
| 9          | 4453909     | Element LR/RF (2)         |

FOR ORDERING INFORMATION REFER TO PARTS PRICE LIST

# CONTROL PANEL PARTS

For Models: KERS205TWH3, KERS205TBL3, KERS205TSS3, KERS205TBT3  
 (White) (Black) (S.Steel) (Biscuit)



| Illus. No. | Part No.    | DESCRIPTION                    |
|------------|-------------|--------------------------------|
| 1          | 3196068     | Lens                           |
| 2          |             | Panel, Backguard & Switch Assy |
|            | W10182778   | Black                          |
|            | W10167671   | White                          |
|            | W10183576   | Biscuit                        |
|            | W10182779   | Stainless Steel                |
| 3          | 3400882     | Screw, Switch (10)             |
| 4          |             | Switch, Infinte                |
|            | 7450P011-60 | Dual RF/LR (2)                 |
|            | 7403P373-60 | LF/RR (2)                      |
| 5          | 3801F945-51 | Bracket, Control               |
| 6          | 8507P331-60 | Control                        |

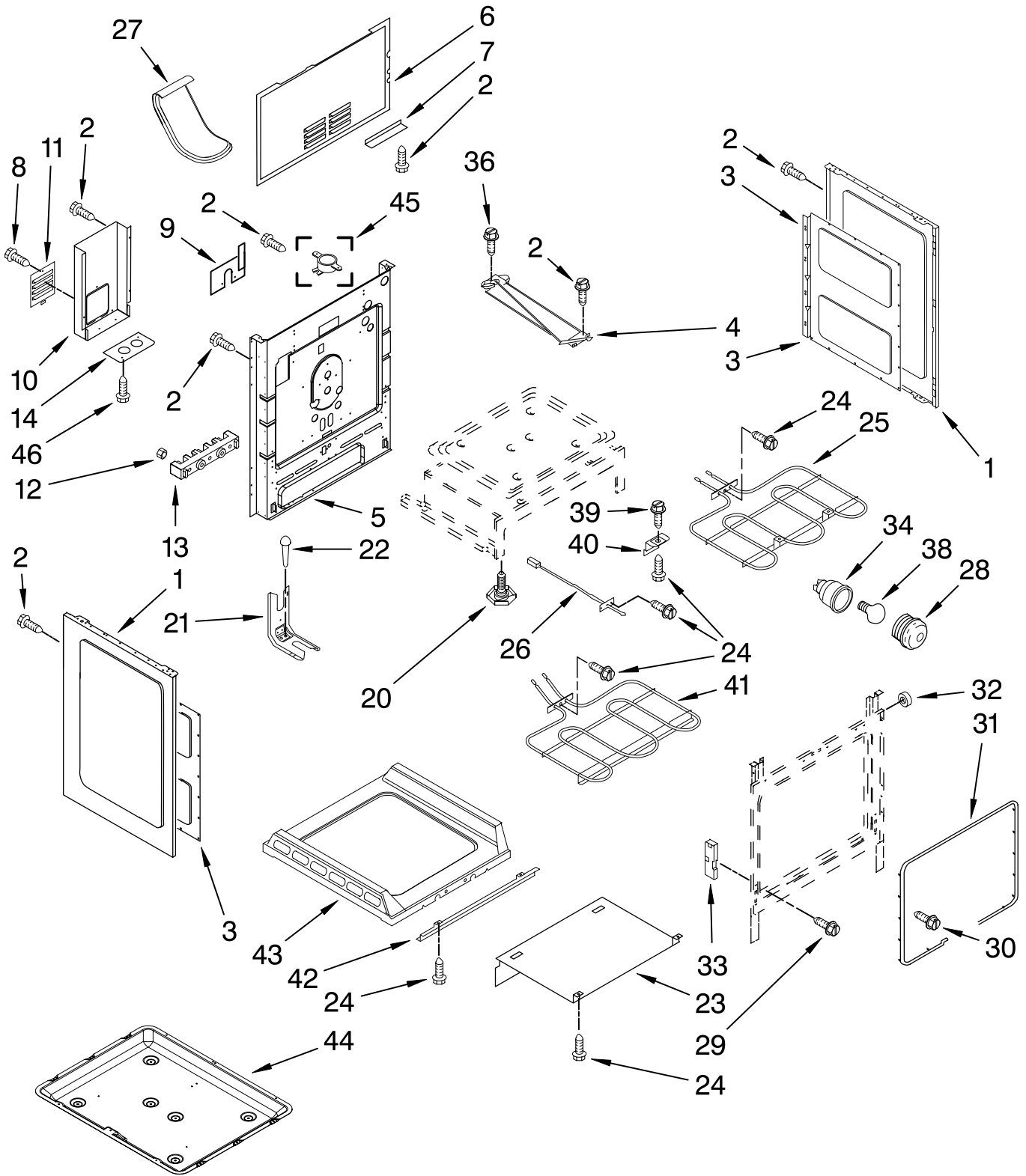
| Illus. No. | Part No.    | DESCRIPTION        |
|------------|-------------|--------------------|
| 7          |             | End Cap, Left      |
|            | 3807F703-70 | Black              |
|            | 3807F703-61 | White              |
|            | 3807F703-78 | Biscuit            |
| 8          | 3196178     | Screw              |
| 9          |             | Shield, Heat Visor |
|            | 3604F382-09 | Black              |
|            | 3604F382-81 | White              |
|            | 3604F382-88 | Biscuit            |
| 10         | 3604F381-19 | Shield, Vent       |
| 12         | 4005F804-51 | Cover, Rear Wire   |

| Illus. No. | Part No.    | DESCRIPTION      |
|------------|-------------|------------------|
| 13         |             | End Cap, Right   |
|            | 3807F702-70 | Black            |
|            | 3807F702-61 | White            |
|            | 3807F702-78 | Biscuit          |
| 14         | 7101P376-60 | Screw            |
| 15         | 3196178     | Screw            |
| 16         | 7407P136-60 | Light, Indicator |
| 17         |             | Knob (4)         |
|            | W10160370   | Black            |
|            | W10160371   | S.Steel          |
|            | W10160368   | White            |
|            | W10160369   | Biscuit          |

FOR ORDERING INFORMATION REFER TO PARTS PRICE LIST

# CHASSIS PARTS

For Models: KERS205TWH3, KERS205TBL3, KERS205TSS3, KERS205TBT3  
(White) (Black) (S.Steel) (Biscuit)



FOR ORDERING INFORMATION REFER TO PARTS PRICE LIST

# CHASSIS PARTS

For Models: KERS205TWH3, KERS205TBL3, KERS205TSS3, KERS205TBT3  
 (White) (Black) (S.Steel) (Biscuit)

| Illus. No. | Part No.    | DESCRIPTION        |
|------------|-------------|--------------------|
| 1          |             | Panel, Side        |
|            | 2618F172-58 | White              |
|            | 2618F172-69 | Black              |
|            | 2618F172-57 | Biscuit            |
| 2          | 3196165     | Screw              |
| 3          | 3804F311-51 | Retainer, Side     |
| 4          | 8002P104-60 | Latch Assembly     |
| 5          | 4002F347-51 | Main Back          |
| 6          | 4005F754-51 | Cover, Main Wire   |
| 7          | 4005F712-51 | Bottom Wire Cover  |
| 8          | 3196178     | Screw              |
| 9          | 7003P145-60 | Insulator, Cord    |
| 10         | 4005P703-51 | Cover, Wire (LWR)  |
| 11         | 4005P704-51 | Panel, Access      |
| 12         | 7103P027-60 | Nut, Term.Block    |
| 13         | 7401P039-60 | Block, Terminal    |
| 14         | 3605P146-51 | Plate, Conduit     |
| 20         | 7101P507-60 | Leg, Leveling      |
| 21         | 3801F656-51 | Bracket, Anti-Tip  |
| 22         | 7101P485-60 | Screw, Anti-Tip    |
| 23         | 3604F371-51 | Shield, Heat       |
| 24         | 7101P376-60 | Screw, 8AB 1/2 (4) |
| 25         | 7406P493-60 | Element, Broil     |
| 26         | 7430P042-60 | Sensor, Oven       |
| 27         | 8026P081-60 | Vent, Oven         |
| 28         | 898020-001  | Lens, Bulb         |
| 29         | 7101P282-60 | Screw (4)          |
| 30         | 7101P618-60 | Screw, Shoulder(6) |
| 31         | W10162385   | Gasket             |
| 32         | 8010P148-60 | Spacer, Side Pnl.  |
| 33         | 7106P125-60 | Receiver, Hinge    |
| 34         | 7407P181-60 | Light Assembly     |
| 36         | 7101P375-60 | Screw (Black) (2)  |
| 38         | 7407P103-60 | Bulb, Oven         |
| 39         | 7101P500-60 | Screw, Shoulder    |
| 40         | 3801P822-45 | Support, Ov BTM    |
| 41         | 7406P451-60 | Element, Bake      |
| 42         | 3807P680-45 | Support, Oven      |
| 43         | 2205F053-19 | Bottom, Oven       |
| 44         | 3401F084-45 | Pan, Bake Brnr     |
| 45         | 7403P857-60 | Switch, Terminal   |
| 46         | 7101P336-60 | Screw (2)          |

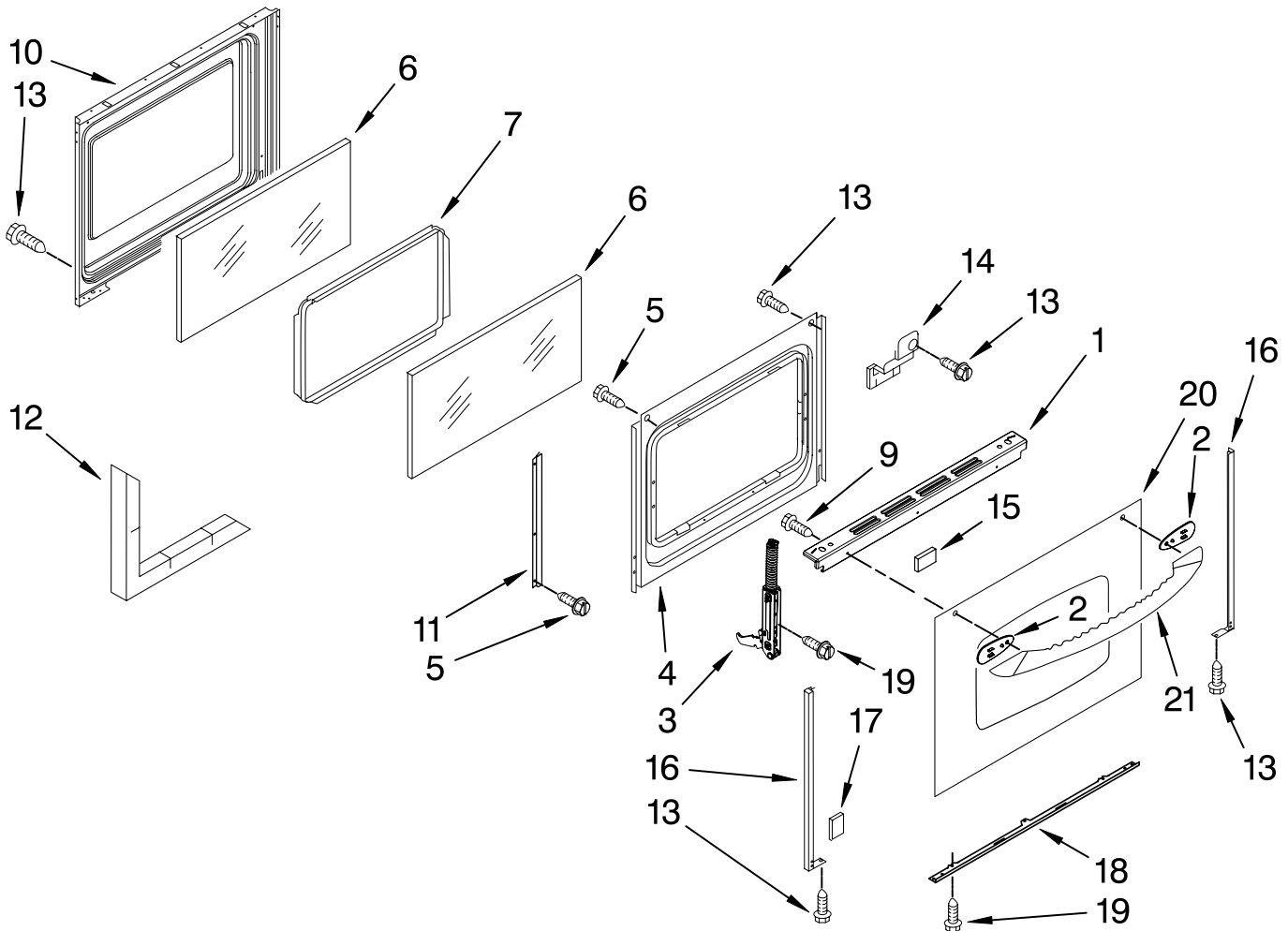
## INSULATION

|             |                         |
|-------------|-------------------------|
| 7002P362-60 | Insulation, Wrap        |
| 7002P492-60 | Insulation, Back        |
| 7002P494-60 | Insulation, Side        |
| 3804F316-51 | Retainer,<br>Insulation |

FOR ORDERING INFORMATION REFER TO PARTS PRICE LIST

# DOOR PARTS

For Models: KERS205TWH3, KERS205TBL3, KERS205TSS3, KERS205TBT3  
 (White) (Black) (S.Steel) (Biscuit)



| Illus. No. | Part No.    | DESCRIPTION        |
|------------|-------------|--------------------|
| 1          | 3608F139-70 | Trim, Door Top     |
|            | 3608F139-71 | Black              |
|            | 3608F139-71 | White              |
|            | 3608F139-78 | Biscuit            |
| 2          | W10169552   | Spacer, Handle     |
|            | W10169553   | Black              |
|            | W10169554   | White              |
| 3          | 7106P124-60 | Hinge, Door (2)    |
| 4          | 3601F380-51 | Baffel, Retainer   |
| 5          | 7101P376-60 | Screw (6)          |
| 6          | 7902P436-60 | Glass, Inner (2)   |
| 7          | 3801F886-51 | Frame, Glass Inner |
| 9          | W10176584   | Screw              |

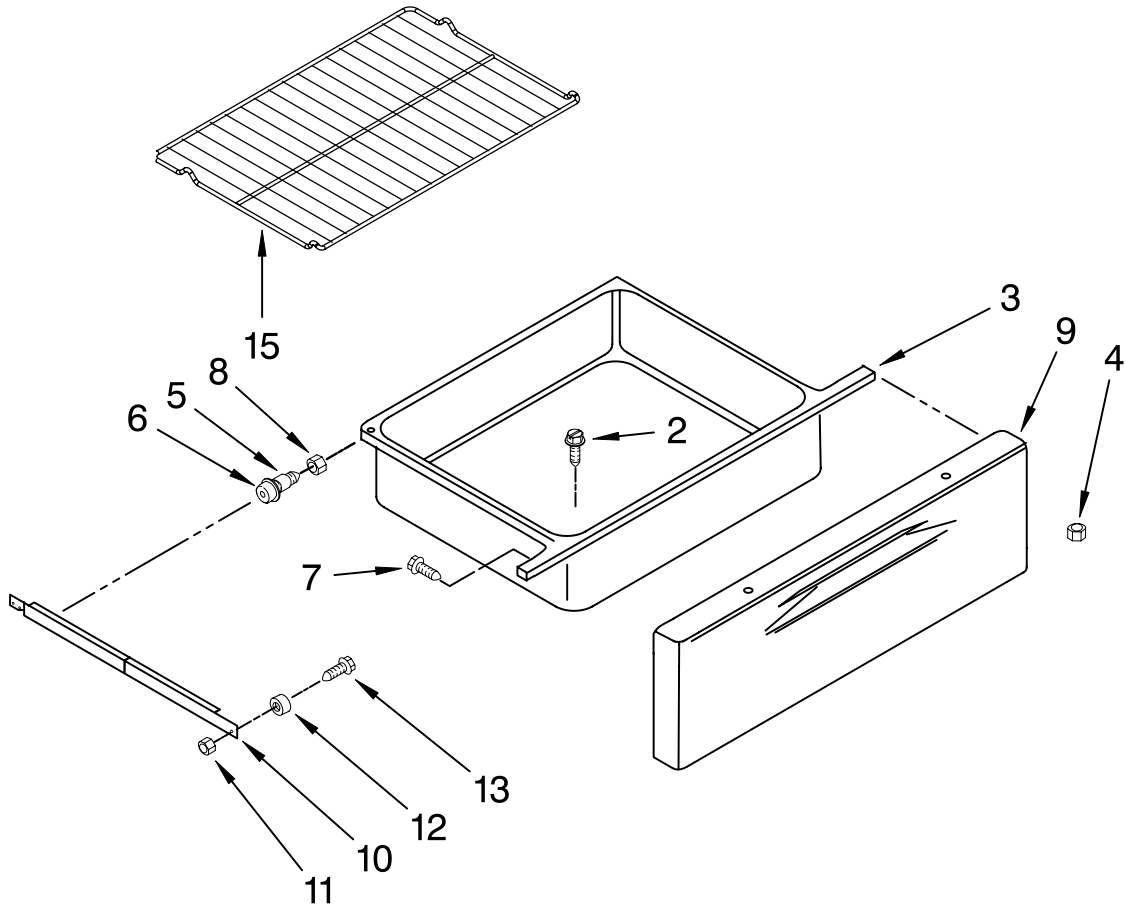
| Illus. No. | Part No.    | DESCRIPTION        |
|------------|-------------|--------------------|
| 10         | 2402W297-19 | Lining, Door       |
| 11         | 3801F886-51 | Bracket, Glass (2) |
| 12         | 7002P246-60 | Insulation, Door   |
| 13         | 7101P427-60 | Screw (8)          |
| 14         | 3801P858-45 | Bracket, Handle    |
|            | 3801P857-45 | Left               |
| 15         | W10208309   | Tape, White        |
| 16         | W10208309   | Trim, Door Side    |
|            | 3608F126-70 | Black              |
|            | 3608F126-71 | White              |
| 17         | 3608F126-78 | Biscuit            |
|            | W10208308   | Tape, Double Sided |
|            | W10208307   | White              |

| Illus. No. | Part No.    | DESCRIPTION                                |
|------------|-------------|--|
| 18         | 3608F092-71 | Trim, Door Bottom                          |
|            | 3804F236-51 | White                                      |
|            | 3608F092-78 | Black                                      |
|            | 3608F092-78 | Biscuit                                    |
| 19         | 7101P282-60 | Screw 10-24x5/16                           |
|            | 7101P282-60 | Glass, Door                                |
| 20         | w10160906   | White                                      |
|            | W10160908   | Black                                      |
|            | W10160907   | Biscuit                                    |
|            |             | (Order Item #15 When Replacing Door Glass) |
| 21         | W10153013   | Handle, Door                               |
|            | W10153016   | White                                      |
|            | W10153016   | S.Steel                                    |
|            | W10153015   | Black                                      |
|            | W10153014   | Biscuit                                    |

FOR ORDERING INFORMATION REFER TO PARTS PRICE LIST

# DRAWER AND RACK PARTS

For Models: KERS205TWH3, KERS205TBL3, KERS205TSS3, KERS205TBT3  
 (White) (Black) (S.Steel) (Biscuit)



| Illus. No. | Part No. | DESCRIPTION                 |
|------------|----------|-----------------------------|
|            | 2        | 3196165 Screw (2)           |
|            | 3        | 3405W035-19 Drawer, Storage |
|            | 4        | 7103P139-60 Nut, Lock       |
|            | 5        | 8010P130-60 Spacer, Rubber  |
|            | 6        | 7118P032-60 Shaft, Roller   |
|            | 7        | 3196165 Screw               |
|            | 8        | 7103P082-60 Nut             |
|            | 9        | Panel, Drawer               |
|            |          | W10163040 White             |
|            |          | W10163038 Black             |
|            |          | W10163041 Biscuit           |
|            | 10       | 8016P024-60 Runner, Drawer  |
|            | 11       | 7103P190-60 Nut, Lock       |
|            | 12       | 8014P022-60 Roller, Drawer  |
|            | 13       | 7118P032-60 Shaft, Roller   |
|            | 15       | w10179196 Rack, Oven        |

FOR ORDERING INFORMATION REFER TO PARTS PRICE LIST

# OPTIONAL PARTS (NOT INCLUDED)

For Models: KERS205TWH3, KERS205TBL3, KERS205TSS3, KERS205TBT3  
 (White) (Black) (S.Steel) (Biscuit)

| <b>Illus. Part</b><br><b>No. No. DESCRIPTION</b>   | <b>Illus. Part</b><br><b>No. No. DESCRIPTION</b>   | <b>Illus. Part</b><br><b>No. No. DESCRIPTION</b>  |
|--|--|---|
| Parts Not Illustrated and<br>Optional Parts (Not Included)   | <p><b><u>PAINT, TOUCH-UP (1/2oz.)</u></b></p> <p style="padding-left: 20px;">72017 White<br/>                     4392899 Biscuit<br/>                     511873 White Porcelain<br/>                     (2 Oz.)</p> <p><b><u>PAINT, PRESSURIZED SPRAY</u></b><br/> <b><u>(12 oz.)</u></b></p> <p style="padding-left: 20px;">350930 White<br/>                     4392901 Biscuit<br/>                     285006 Superior Black<br/>                     206922 Primer (White)</p> <p><b><u>PAINT, BULK (1 qt.)</u></b></p> <p style="padding-left: 20px;">799344 White (Uncut)<br/>                     4392900 Biscuit(Uncut)</p> | <p><b><u>ACCESSORY PARTS</u></b></p> <p style="padding-left: 20px;">241430 Foil, Aluminum<br/>                     Oven (18" x 25')<br/>                     3191048 Cleaner, Glass</p> <p><b><u>WIRING HARNESS PARTS</u></b></p> <p style="padding-left: 20px;">W10169936 Harness, Wire<br/>                     (Cooktop Right)<br/>                     5171P791-60 Harness, Wire<br/>                     (Cooktop Left)<br/>                     W10167991 Harness, Wire<br/>                     (Burner Box)<br/>                     W10160684 Harness, Wire<br/>                     (Main)<br/>                     8019P013-60 Clip, Wire<br/>                     7101P027-60 Screw, Ground</p> |
| <p><b><u>REFINISHING MATERIAL</u></b></p> <p style="padding-left: 20px;">799832 Kit, Porcelain<br/>                     Repair (White)<br/>                     242756 Touch-Up<br/>                     Self-Clean(1/2 Pt)<br/>                     261582 Grease</p> <p><b><u>INSULATION</u></b></p> <p style="padding-left: 20px;">261514 Insulation,<br/>                     Fiberglass (1-1/2"<br/>                     x 24" x 120")<br/>                     240132 Insulation,<br/>                     Fiberglass (2-1/2"<br/>                     x 22" x 120")</p> |  |   |

FOR ORDERING INFORMATION REFER TO PARTS PRICE LIST

## Free Manuals Download Website

<http://myh66.com>

<http://usermanuals.us>

<http://www.somanuals.com>

<http://www.4manuals.cc>

<http://www.manual-lib.com>

<http://www.404manual.com>

<http://www.luxmanual.com>

<http://aubethermostatmanual.com>

Golf course search by state

<http://golfingnear.com>

Email search by domain

<http://emailbydomain.com>

Auto manuals search

<http://auto.somanuals.com>

TV manuals search

<http://tv.somanuals.com>