

KitchenAid®

INSTALLATION INSTRUCTIONS

Cabinet Depth Side by Side Refrigerator

IMPORTANT: READ AND SAVE THESE INSTRUCTIONS. INSTALLATION REQUIRES 2 OR MORE PEOPLE.

INSTRUCTIONS D'INSTALLATION

Réfrigérateur côte à côte à profondeur d'armoire

IMPORTANT : LIRE ET CONSERVER CES INSTRUCTIONS.
L'INSTALLATION NÉCESSITE L'INTERVENTION DE 2 PERSONNES OU PLUS.

Table of Contents/Table des matières.....2

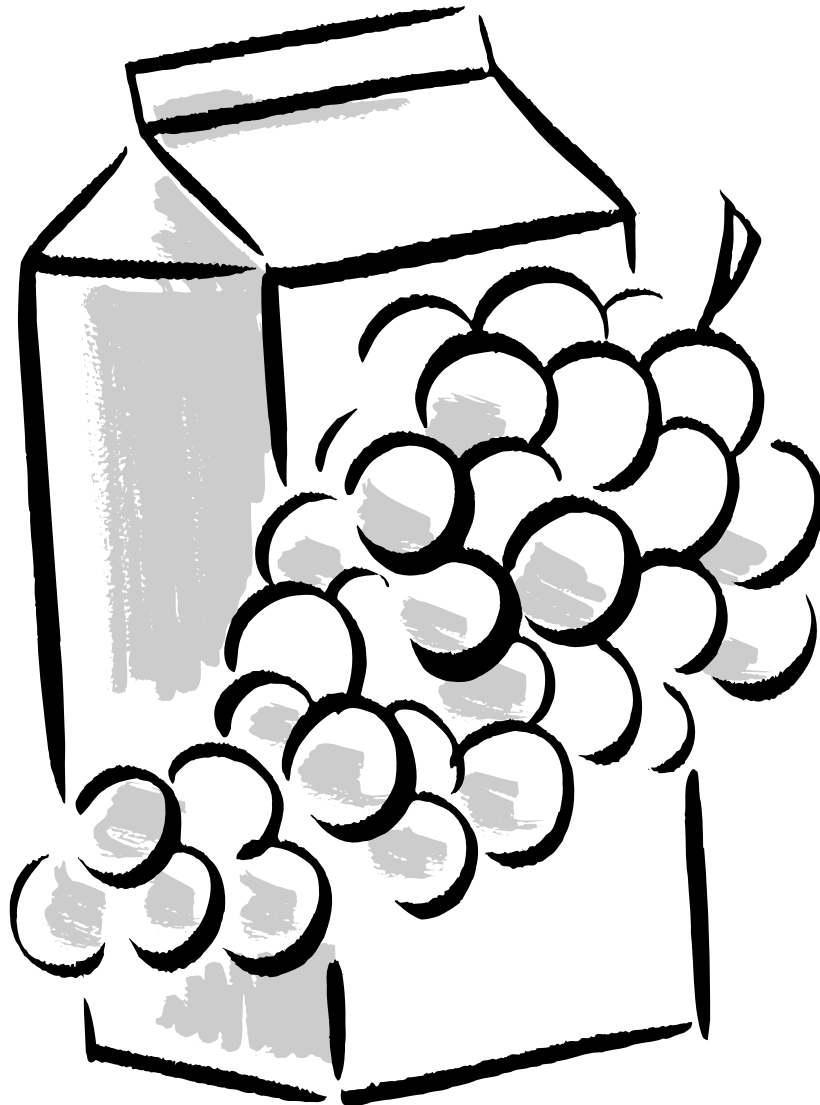


TABLE OF CONTENTS

REFRIGERATOR SAFETY	2
INSTALLATION REQUIREMENTS	3
Tools and Parts	3
Product Dimensions	3
Door and Side Panels	4
Location Requirements	5
Electrical Requirements	6
Water Supply Requirements	6
INSTALLATION INSTRUCTIONS	6
Unpack Refrigerator	6
Install New Water Line	6
Water Supply Connection	7
Plug in Refrigerator	7
Level Refrigerator	7
Replace Base Grille	8
Complete Installation	8
ASSISTANCE OR SERVICE	8

TABLE DES MATIÈRES

SÉCURITÉ DU RÉFRIGÉRATEUR	9
EXIGENCES D'INSTALLATION	9
Outillage et pièces nécessaires	9
Dimensions du produit	9
Panneaux latéraux et de porte	11
Emplacement d'installation	12
Spécifications électriques	12
Spécifications de l'alimentation en eau	12
INSTRUCTIONS D'INSTALLATION	13
Déballage du réfrigérateur	13
Installation d'une nouvelle canalisation d'eau	13
Raccordement à l'alimentation en eau	14
Brancher le réfrigérateur	14
Nivellement du réfrigérateur	14
Réinstallation de la grille de la base	15
Achever l'installation	15
ASSISTANCE OU SERVICE	15

REFRIGERATOR SAFETY

Your safety and the safety of others are very important.

We have provided many important safety messages in this manual and on your appliance. Always read and obey all safety messages.



This is the safety alert symbol.

This symbol alerts you to potential hazards that can kill or hurt you and others.

All safety messages will follow the safety alert symbol and either the word "DANGER" or "WARNING." These words mean:

! DANGER

You can be killed or seriously injured if you don't immediately follow instructions.

! WARNING

You can be killed or seriously injured if you don't follow instructions.

All safety messages will tell you what the potential hazard is, tell you how to reduce the chance of injury, and tell you what can happen if the instructions are not followed.

INSTALLATION REQUIREMENTS

Tools and Parts

IMPORTANT:

- Observe all governing codes and ordinances.
- Installer: Leave Installation Instructions with homeowner.
- Homeowner: Keep Installation Instructions for future reference and for the local electrical inspector's use.
- Keep cardboard shipping piece or plywood under refrigerator until it is installed in the operating position.
- Comply with installation specifications and dimensions.
- Remove any moldings or decorative panels that prevent the refrigerator from being serviced.
- Contact a qualified electrical installer.

Tools needed:

Make sure that you have the tools necessary for proper installation:

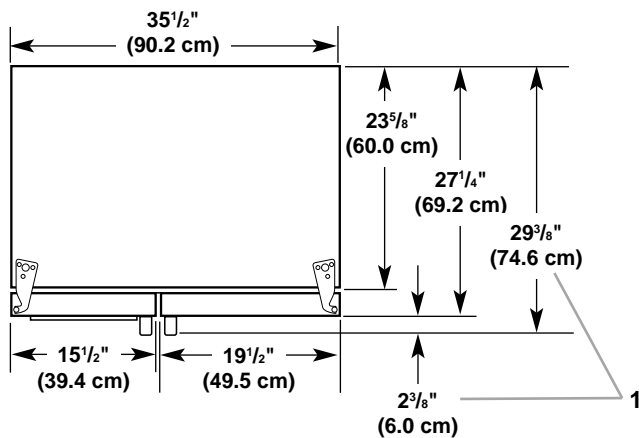
- Hand drill or electric drill (properly grounded)
- 7/16 in. and 1/2 in. open-end wrenches
- 1/4 in. nut driver and drill bit
- Two adjustable wrenches
- Flat-blade screwdriver
- Socket wrench

Parts needed:

- Your refrigerator dealer has a kit available with a 1/4 in. (6.35 mm) saddle-type shutoff valve, a union, and copper tubing.
- Or you can purchase a 1/4 in. (6.35 mm) copper tubing with shutoff valve and a 1/4 in. (6.35 mm) compression fitting (coupling).
- Depending on water line connections, you may also need a 1/4 in. (6.35 mm) nut and 1/4 in. (6.35 mm) ferrule.

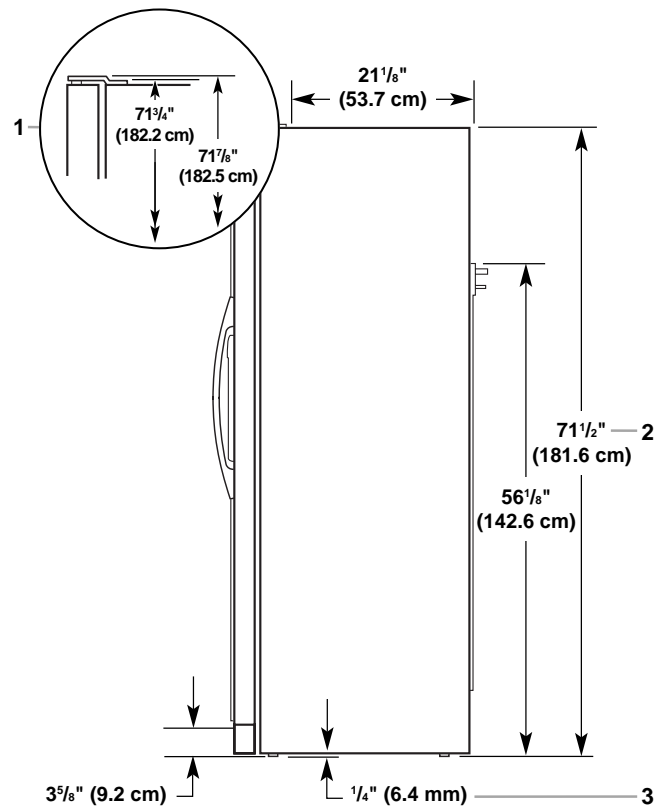
Product Dimensions

Top View



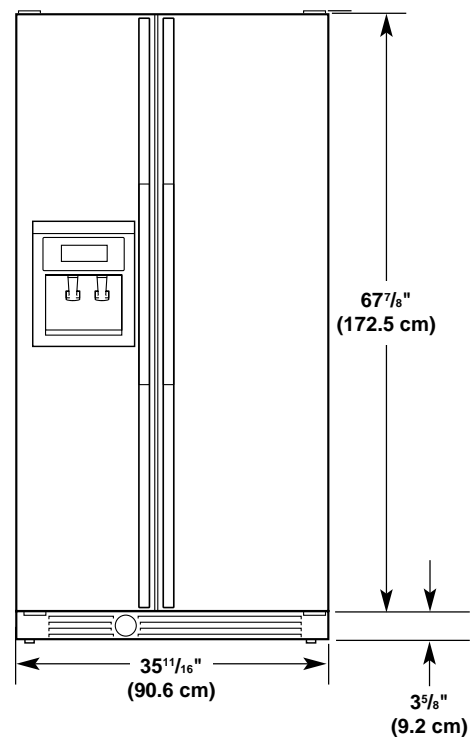
1. Dimensions may vary based on model

Side View



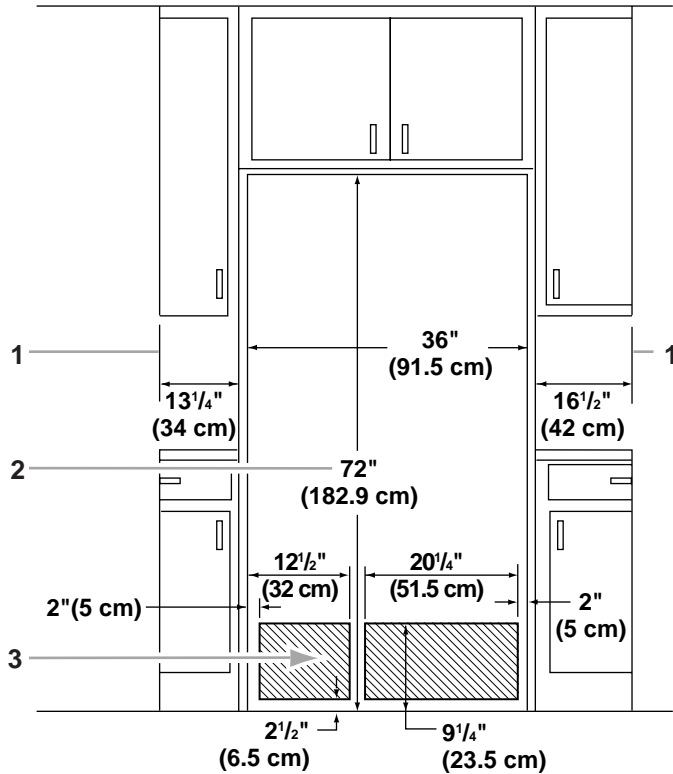
1. Dimensions shown from floor with rollers set at minimum height
2. Overall cabinet height with rollers at maximum height
3. Minimum height

Front View



Opening Dimensions

NOTE: The water hookup and electrical outlet must be placed near the bottom of the refrigerator. The recommended grounded electrical outlet and water connection should be installed in the shaded area as shown. For specifications, see the "Electrical Requirements" or "Water Supply Requirements" section. If the recommended water line location is used, no additional plumbing needs to be purchased.

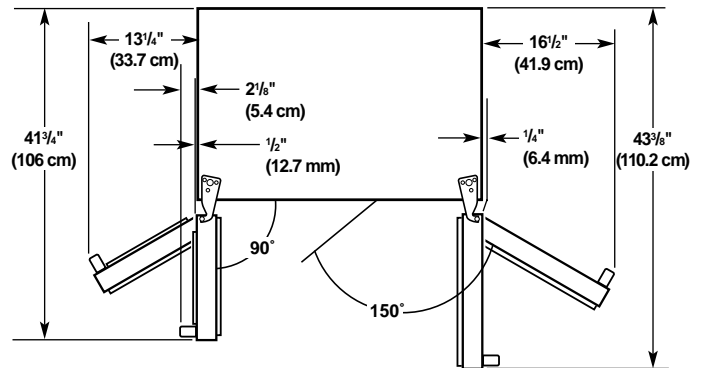


1. Minimum fixed wall position
2. For full-overlay cabinet doors and a trim kit, the height of the opening must be 72 1/8 in. (183.2 cm)
3. Recommended locations for electrical and water connections

Door Swing Dimensions

Location must permit doors to open to a minimum of 150°. Allow 13 1/4 in. (33.7 cm) minimum space between the side wall and the freezer side of the refrigerator. Allow 16 1/2 in. (41.9 cm) minimum space between the side wall and the refrigerator side.

NOTE: Dimensions may vary based on model.



Door and Side Panels

Factory Door Panels and Side Trim Kits

All factory parts are available through your KitchenAid dealer or by calling KitchenAid Parts and Accessories at **1-800-442-9991**. In Canada, call **1-800-807-6777**.

Decorator Door Panel Kits

Decorator door panels kits are available. Follow the kit instructions for installing the panels.

Order Kit Number:

- White - #4378123
- Black - #4378124
- Biscuit - #4378125
- Stainless Steel - #4396295

NOTE: Door panel kits are not required for factory-installed stainless steel models.

Cabinet Side Trim Kits

Cabinet side trim kits are available to customize refrigerator to cabinet face. Follow the kit instructions for installing the side panel.

Order Kit Number:

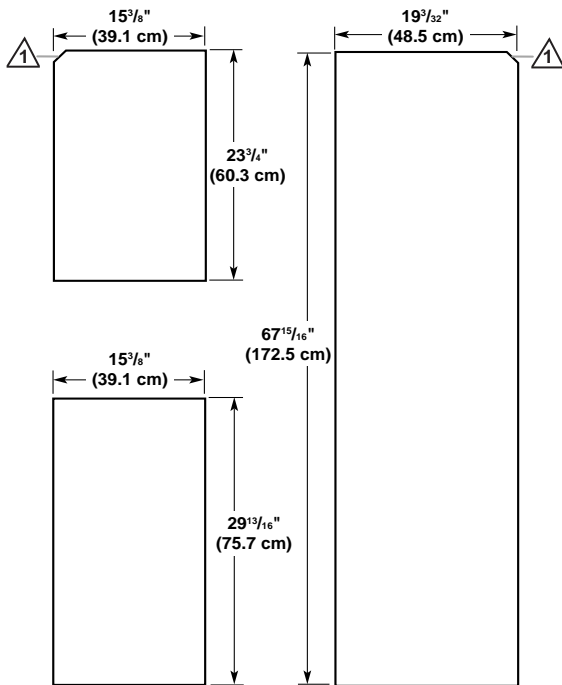
- White - #2208187W
- Black - #2208187B
- Biscuit - #2208187T
- Stainless Steel - #2208187S

Custom Door Panels

If you plan to install custom wood panels, you will need to create the panels yourself or consult a qualified cabinetmaker or carpenter. See dimensional drawings for panel specifications.

IMPORTANT: Panels weighing more than the recommended weight may cause damage to your refrigerator. Refrigerator door panel should not exceed 28 lbs (12.7 kg). Freezer door panels should not exceed 21 lbs (9.5 kg).

You can create panels by screwing or gluing wood panels to ¼ in. (6.35 mm) plywood backing or by using ¾ in. (19.05 mm) stock with routed edges.

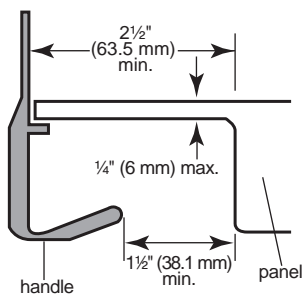


1/8 in. x 1/8 in. (3.2 x 3.2 mm) chamfer required on installations with custom panels or installation using 1/4 in. backer material.

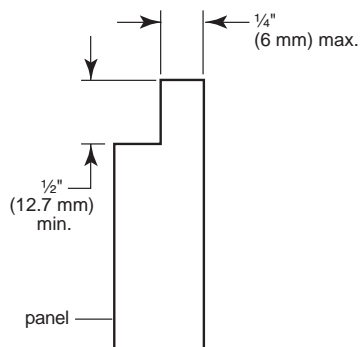
Routing Dimensions for Custom Panels More Than ¼" (6 mm) Thick

Route the entire length or selected areas of handle side panels 2½ in. (63.5 mm).

Handle side detail

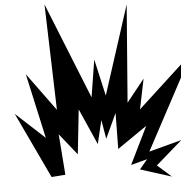


Top, bottom and side trim detail



Location Requirements

WARNING



Explosion Hazard

Keep flammable materials and vapors, such as gasoline, away from refrigerator.

Failure to do so can result in death, explosion, or fire.

NOTES:

- The cabinet depth refrigerator can be installed into a recessed opening, at the end of cabinets or as a freestanding refrigerator.
- If you are installing the refrigerator to fit flush with the front of the base cabinets, all shoe molding and baseboards must be removed from the rear of the refrigerator opening.
- A trim kit is available for those installations in which the refrigerator will not fit flush. See the "Assistance or Service" section in the Use and Care Guide for ordering information.
- For full-overlay cabinet doors, the height of the opening must be 72½ in. (183.2 cm).
- Location should permit doors to open fully. See the "Door Swing Dimensions" section.
- Do not install the refrigerator near an oven, radiator, or other heat source, nor in a location where the temperature will fall below 55°F (13°C).
- Floor must support refrigerator weight (more than 600 lbs [272 kg], door panels and contents).

Electrical Requirements

⚠ WARNING



Electrical Shock Hazard

Plug into a grounded 3 prong outlet.

Do not remove ground prong.

Do not use an adapter.

Do not use an extension cord.

Failure to follow these instructions can result in death, fire, or electrical shock.

Before you move your refrigerator into its final location, it is important to make sure you have the proper electrical connection:

Recommended grounding method

A 115 Volt, 60 Hz., AC only 15 or 20 ampere fused, grounded electrical supply is required. It is recommended that a separate circuit serving only your refrigerator be provided. Use an outlet that cannot be turned off by a switch. Do not use an extension cord.

IMPORTANT: If this product is connected to a GFCI (Ground Fault Circuit Interrupter) protected outlet, nuisance tripping of the power supply may occur, resulting in loss of cooling. Food quality and flavor may be affected. If nuisance tripping has occurred, and if the condition of the food appears poor, dispose of it.

NOTE: Before performing any type of installation, cleaning, or removing a light bulb, turn the control (Thermostat, Refrigerator or Freezer Control depending on the model) to OFF and then disconnect the refrigerator from the electrical source. When you are finished, reconnect the refrigerator to the electrical source and reset the control (Thermostat, Refrigerator or Freezer Control depending on the model) to the desired setting.

Water Supply Requirements

IMPORTANT:

- If you turn the refrigerator on before the water line is connected, turn the ice maker OFF.
- All installations must meet local plumbing code requirements.
- Use copper tubing and check for leaks. Install copper tubing only in areas where temperatures will remain above freezing.

NOTE: Your refrigerator dealer has a kit available with a 1/4 in. (6.35 mm) saddle-type shutoff valve, a union, and copper tubing. Before purchasing, make sure a saddle-type valve complies with your local plumbing codes. Do not use a piercing-type or 3/16 in. (4.76 mm) saddle valve which reduces water flow and clogs more easily.

Cold Water Supply

Connect the ice maker to a cold water line with water pressure between 30 and 120 psi. If you have questions about your water pressure, call your utility company.

INSTALLATION INSTRUCTIONS

Unpack Refrigerator

⚠ WARNING

Excessive Weight Hazard

Use two or more people to move and install refrigerator.

Failure to do so can result in back or other injury.

IMPORTANT:

- All 4 leveling legs must contact the floor to support and stabilize the full weight of the refrigerator.
 - Keep cardboard shipping piece or plywood under refrigerator until it is installed in the operating position.
1. Remove and save literature package. Use 3/8 in. socket wrench to remove skids.
 2. Remove tape and glue residue from surfaces before turning on the refrigerator. Rub a small amount of liquid dish soap over the adhesive with your fingers. Wipe with warm water and dry.

NOTES:

- Do not use sharp instruments, rubbing alcohol, flammable fluids, or abrasive cleaners to remove tape or glue. These products can damage the surface of your refrigerator. For more information, see the Use and Care Guide.
 - Do not remove the tech sheet that is fastened behind the base grille.
 - Clean before use: After you remove all of the packing materials, clean the inside of the refrigerator before use. See the cleaning instructions in the "Refrigerator Care" section of the Use and Care Guide.
3. Place pieces of shipping carton or plywood on the floor when rolling the dolly and refrigerator into the house. Move refrigerator close to refrigerator opening.

Install New Water Line (if required)

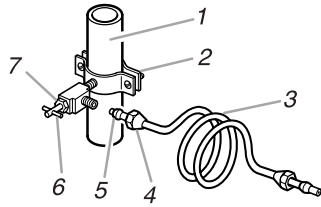
TOOLS REQUIRED: Flat-blade screwdriver, 7/16 in. and 1/2 in. open-end wrenches or two adjustable wrenches, 1/4 in. drill bit, hand drill or electric drill (properly grounded).

1. Turn OFF main water supply. Turn ON nearest faucet long enough to clear line of water.
2. Find a 1/2 in. (12.70 mm) to 1 1/4 in. (3.18 cm) vertical COLD water pipe near the refrigerator.

NOTE: Horizontal pipe will work, but the following procedure must be followed: Drill on the top side of the pipe, not the bottom. This will help keep water away from the drill. This also keeps normal sediment from collecting in the valve.

3. Determine the length of copper tubing you need. Measure from the connection on the lower left rear of refrigerator to the water pipe. Add 7 ft. (2.1 m) to allow for cleaning. Use 1/4 in. (6.35 mm) O.D. (outside diameter) copper tubing. Be sure both ends of copper tubing are cut square.

- Using a grounded drill, drill a 1/4 in. (6.35 mm) hole in the cold water pipe you have selected.



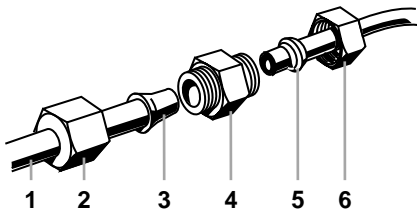
- | | |
|--------------------|-----------------------|
| 1. Cold Water Pipe | 5. Compression Sleeve |
| 2. Pipe Clamp | 6. Shutoff Valve |
| 3. Copper Tubing | 7. Packing Nut |
| 4. Compression Nut | |

- Fasten shutoff valve to cold water pipe with pipe clamp. Be sure outlet end is solidly in the 1/4 in. (6.35 mm) drilled hole in the water pipe and that washer is under the pipe clamp. Tighten packing nut. Tighten the pipe clamp screws carefully and evenly so washer makes a watertight seal. Do not overtighten or you may crush the copper tubing, especially if soft (coiled) copper tubing is used. Now you are ready to connect the copper tubing.
- Slip compression sleeve and compression nut on copper tubing as shown in the diagram. Insert the end of the tubing into the outlet end of the shutoff valve as far as it will go. Screw the compression nut onto the outlet end with an adjustable wrench. Do not overtighten.
- Place the free end of the tubing into a container or sink, turn ON main water supply and flush out tubing until water is clear. Turn OFF the shutoff valve on the water pipe.

Water Supply Connection

- Remove the shipping tape from the gray, coiled water tubing on the rear of the refrigerator.
- Before attaching copper tubing to refrigerator, flush at least 2 qts. (1.9 L) of water through the copper tubing and into a bucket to get rid of any particles in the water line.
- Check for leaks around the saddle valve. Do not overtighten clamp or sleeve. This will crush copper tubing.
- Make connection to refrigerator.

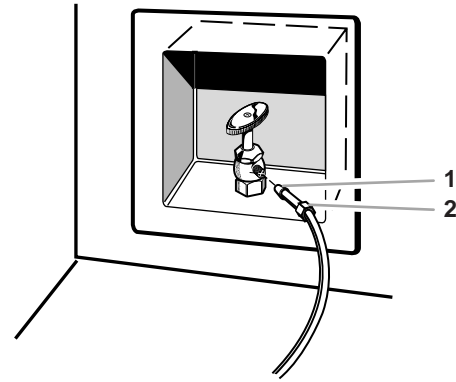
Style 1: Slide the purchased nut then the purchased ferrule onto the tubing. Push the tubing into the purchased coupling as far as it will go. Slide the nut and ferrule forward. Tighten the nut by hand. Then tighten it with a wrench two more turns. Do not overtighten.



- | | |
|-------------------------|-------------------------|
| 1. Line to Refrigerator | 4. Coupling (purchased) |
| 2. Nut (provided) | 5. Ferrule (purchased) |
| 3. Bulb | 6. Nut (purchased) |

Style 2: Push the bulb end of the tubing into the water valve as far as it will go. Slide the nut forward and finger tighten.

Tighten the nut by hand. Then tighten it with a wrench two more turns. Do not overtighten.



- Bulb
- Nut

- Turn shutoff valve ON.
- Check for leaks. Tighten any nuts or connections (including connections at the valve) that leak.

Plug in Refrigerator

! WARNING



Electrical Shock Hazard

Plug into a grounded 3 prong outlet.

Do not remove ground prong.

Do not use an adapter.

Do not use an extension cord.

Failure to follow these instructions can result in death, fire, or electrical shock.

- Plug into a grounded 3 prong outlet.
- Move refrigerator into final position.

Level Refrigerator

IMPORTANT: All 4 leveling legs must contact the floor to support and stabilize the full weight of the refrigerator.

Base Grille Removal

- Open the refrigerator doors to 90°.

NOTE: Do not remove the Tech Sheets fastened behind the grille.

- Remove base grille if it is installed.

Style 1 - Screw-on Base Grille:

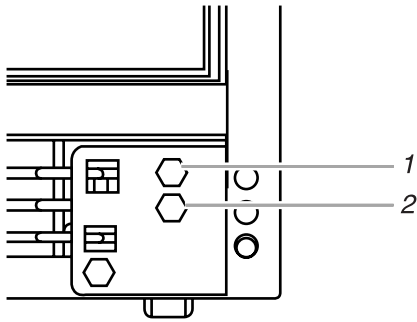
- Find pockets located about 4 in. (10 cm) in from each end of grille. Use screwdriver to remove the screw found in each pocket.

Style 2 - Snap-on Base Grille:

- Grasp the grille with both hands. Lift up and tilt the top of the grille toward you.

Leveling Refrigerator

The roller adjusting bolts are located behind the base grille. The refrigerator has 4 adjustable rollers (two front and two rear). There are 2 sets of roller adjusting bolts found at the base of the refrigerator on each side.



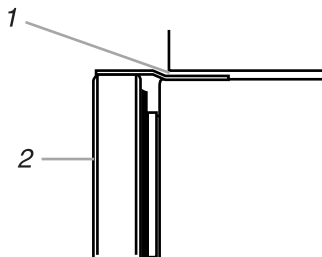
1. Rear Leveling Bolt (yellow)
2. Front Leveling Bolt (silver)

NOTE: The yellow bolt will adjust the rear of the refrigerator, and the silver bolt will adjust the front of the refrigerator.

1. Use a ½ in. (12.70 mm) socket wrench to adjust the leveling bolts. Turn the leveling bolt to the right to raise that side of the refrigerator or turn the leveling bolt to the left to lower that side. It may take several turns of the leveling bolts to adjust the tilt of the refrigerator.

NOTE: Be careful not to unscrew the leveling bolts too much when lowering the refrigerator. The bolt head will start to come away from the refrigerator when in the lowest position. If the screw does come out of the rear roller bracket, the compartment access cover on the back of the refrigerator will have to be removed to reinstall the bolt.

2. Adjust the front leveling bolt to bring the refrigerator top parallel with the cabinet above the refrigerator. For standard cabinets, leave approximately ⅛ in. (3.18 mm) gap between the top hinges and the cabinet. For full-overlay cabinets, leave ¼ in. (6.35 mm) gap for leveling. If you do not have a cabinet above the refrigerator, simply adjust the refrigerator to make it level.



1. For standard cabinets, leave ⅛ in. (3.18 mm) minimum clearance for leveling the refrigerator. For full-overlay cabinets, leave ¼ in. (6.35 mm) minimum clearance for leveling and door clearance.
2. Front of the refrigerator.

3. Adjust the rear leveling bolt to bring the refrigerator level with the side cabinets or cabinet end panels.
4. If you want, you may now use the 4 leveling bolts to raise the refrigerator to close the gap between the refrigerator top hinge and the cabinet opening. Check that all 4 rollers still touch the floor and that the cabinet doors above the refrigerator open all the way.

Replace Base Grille

1. Open the refrigerator doors to 90°.
2. Replace the base grille.

Style 1 - Screw-on Base Grille:

- Place the grille in front of the base grille area.
- Use a screwdriver and guide the screws through the grille holes and into the screw clips located in the corner plates on each side of the opening. Tighten screws securely.

Style 2 - Snap-on Base Grille:

- Place the grille lower clips into the holes in the refrigerator panel. Roll the grille up toward the refrigerator until it snaps into place.

Complete Installation

1. Turn water supply line valve to “Open” position.
2. Turn refrigerator switch to ON position. Wait a few minutes. Check water line connections for leaks.
3. Set refrigerator and freezer compartment controls to the midpoint setting. Check that the compressor is operating properly and that all lights are working.
4. Flush water system before using. See the “Water System Prep” section in the Use and Care Guide.

NOTE: If construction will continue after refrigerator has been installed, set controls to OFF.

If refrigerator does not operate:

- Check that the circuit breaker is not tripped or house fuse blown.
- Check that the power supply cord is plugged into the outlet.
- See the “Troubleshooting” section located in the Use and Care Guide.

ASSISTANCE OR SERVICE

If you have questions about operating, cleaning or maintaining your refrigerator:

- Refer to Use and Care Guide.
- Call the Customer Interaction Center. Check your Use and Care Guide for the number to call or phone the dealer from whom you purchased the appliance.

If you need service

Maintain the quality built into your refrigerator by calling an authorized service company.

To obtain the name and number of the authorized service company, do one of the following:

- Contact the dealer from whom you purchased your refrigerator.
- Look in the Yellow Pages of your telephone directory.
- Call the Customer Interaction Center. The number is listed in your Use and Care Guide.

When you call, you will need the refrigerator model number and serial number. Both numbers are listed on the model/serial rating plate located inside the refrigerator.

SÉCURITÉ DU RÉFRIGÉRATEUR

Votre sécurité et celle des autres est très importante.

Nous donnons de nombreux messages de sécurité importants dans ce manuel et sur votre appareil ménager. Assurez-vous de toujours lire tous les messages de sécurité et de vous y conformer.



Voici le symbole d'alerte de sécurité.

Ce symbole d'alerte de sécurité vous signale les dangers potentiels de décès et de blessures graves à vous et à d'autres.

Tous les messages de sécurité suivront le symbole d'alerte de sécurité et le mot "DANGER" ou "AVERTISSEMENT". Ces mots signifient :

! DANGER

Risque possible de décès ou de blessure grave si vous ne suivez pas immédiatement les instructions.

! AVERTISSEMENT

Risque possible de décès ou de blessure grave si vous ne suivez pas les instructions.

Tous les messages de sécurité vous diront quel est le danger potentiel et vous disent comment réduire le risque de blessure et ce qui peut se produire en cas de non-respect des instructions.

EXIGENCES D'INSTALLATION

Outillage et pièces nécessaires

IMPORTANT :

- Respecter toutes les prescriptions des codes et règlements en vigueur.
- Installateur : Remettre les instructions d'installation au propriétaire.
- Propriétaire : Conserver les instructions d'installation pour consultation ultérieure et pour utilisation par l'inspecteur local des installations électriques.
- Garder la pièce de carton ou de contreplaqué d'expédition sous le réfrigérateur jusqu'à son installation à l'emplacement de service.
- Observer les spécifications et dimensions d'installation.
- Enlever toute moulure ou tout panneau décoratif qui empêche l'entretien du réfrigérateur.
- Communiquer avec un électricien qualifié.

Outillage requis :

S'assurer d'avoir tous les outils nécessaires pour une bonne installation :

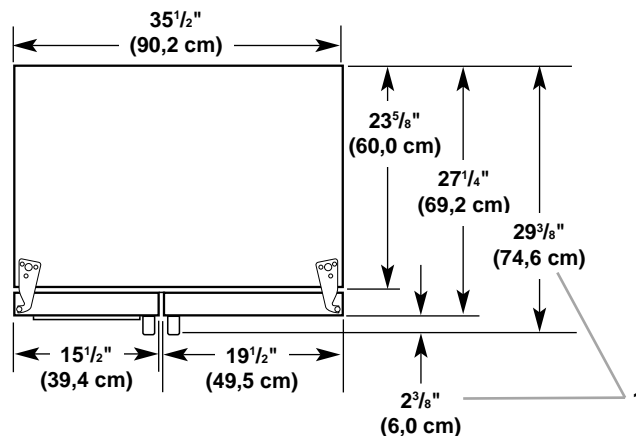
- Perceuse manuelle ou électrique (convenablement reliée à la terre)
- Clés plates de $\frac{7}{16}$ po et $\frac{1}{2}$ po
- Tourne-écrou de $\frac{1}{4}$ po et foret
- Deux clés à molette
- Tournevis à lame plate
- Clé à douille

Pièces nécessaires :

- Votre marchand de réfrigérateurs présente une trousse avec un robinet d'arrêt à étrier de $\frac{1}{4}$ po (6,35 mm), un raccord et un tube en cuivre.
- Ou vous pouvez acheter un tube en cuivre de $\frac{1}{4}$ po (6,35 mm) avec un robinet d'arrêt et un raccord de compression de $\frac{1}{4}$ po (6,35 mm).
- Selon les raccordements de la canalisation d'eau, il vous faudra peut-être aussi un écrou de $\frac{1}{4}$ po (6,35 mm) et une bague de $\frac{1}{4}$ po (6,35 mm).

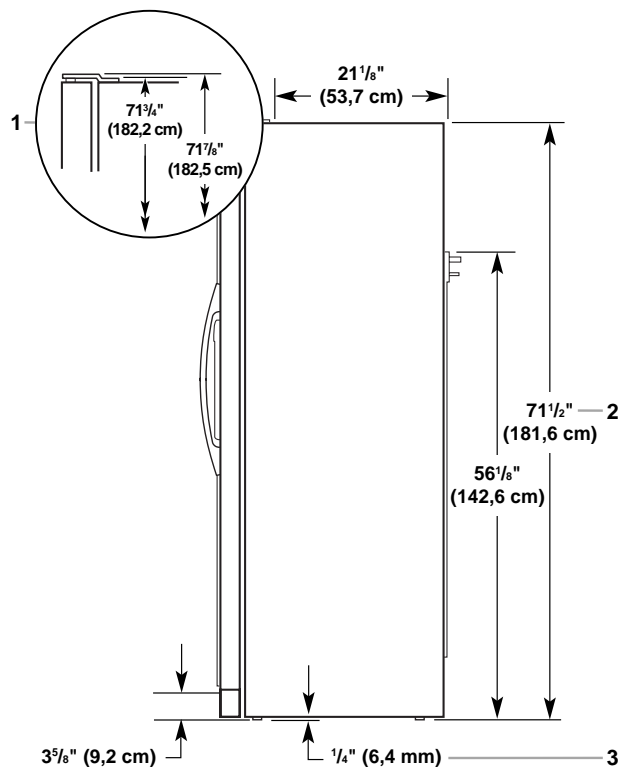
Dimensions du produit

Vue de dessus



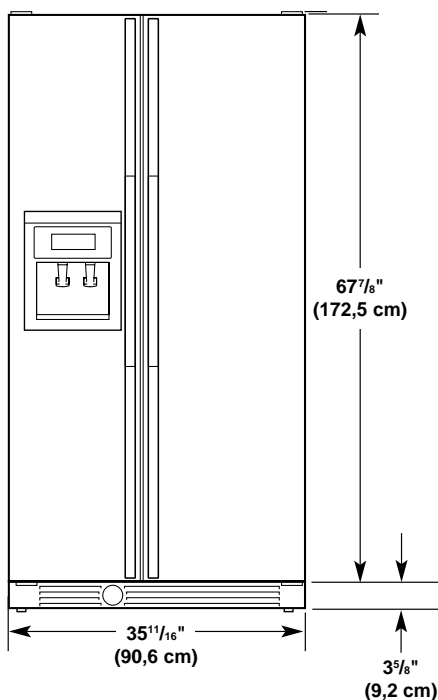
1. Les dimensions peuvent varier en fonction du modèle

Vue latérale



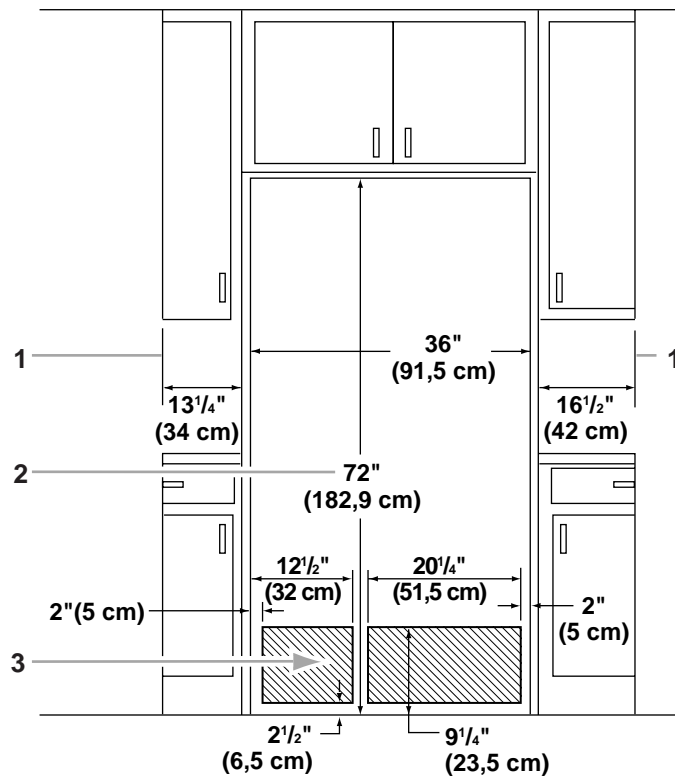
1. Dimensions indiquées à partir du plancher – roulettes réglées à la hauteur minimale
2. Hauteur totale de la caisse – roulettes à la hauteur maximale
3. Hauteur minimale

Vue de face



Dimensions de l'ouverture

REMARQUE : La prise d'eau et la prise électrique doivent être placées près du bas du réfrigérateur. La prise d'eau et la prise électrique reliée à la terre recommandées devraient être installées dans la zone ombrée, tel qu'indiqué. Pour les spécifications, voir la section "Spécifications électriques" ou "Spécifications de l'alimentation en eau". Si l'emplacement de la canalisation d'eau recommandé est utilisé, il n'est pas nécessaire d'acheter de tuyauterie supplémentaire.

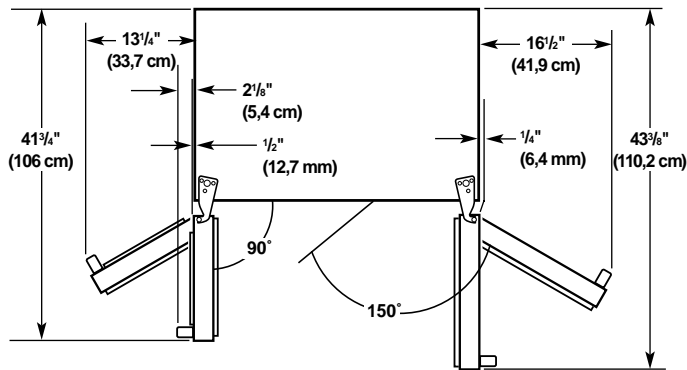


1. Espace minimal par rapport au mur
2. Pour les portes de caisse complètement recouvertes et un ensemble de garniture, la hauteur de l'ouverture doit être de 72 1/8 po (183,2 cm)
3. Emplacements recommandés pour les connexions électriques et d'eau

Dimensions d'ouverture des portes

L'emplacement doit permettre d'ouvrir les portes à un angle minimal de 150°. Prévoir un dégagement minimal de 13 1/4 po (33,7 cm) entre le mur latéral et le côté du compartiment de congélation. Prévoir un dégagement minimal de 16 1/4 po (41,9 cm) entre le mur latéral et le côté du compartiment de réfrigération.

REMARQUE : Les dimensions peuvent varier en fonction du modèle.



Panneaux latéraux et de porte

Trousses de panneaux de porte et de garnitures latérales d'origine

Toutes les pièces d'origine sont disponibles par l'entremise de votre marchand KitchenAid ou en téléphonant à Pièces et accessoires KitchenAid au **1-800-442-9991**. Au Canada, composer le **1-800-807-6777**.

Trousses de panneaux de porte décoratifs

Des trousse de panneaux de porte décoratifs sont disponibles. Suivre les instructions de la trousse pour l'installation des panneaux.

Commander le numéro de trousse :

- Blanc – n° 4378123
- Noir – n° 4378124
- Biscuit – n° 4378125
- Acier inoxydable – n° 4396295

REMARQUE : Les trousse de panneaux de porte ne sont pas requises pour les modèles à panneaux en acier inoxydable d'origine.

Trousses de garnitures latérales

Des trousse de garnitures latérales sont disponibles pour assortir le réfrigérateur à la façade des armoires. Suivre les instructions de la trousse pour l'installation du panneau latéral.

Commander le numéro de trousse :

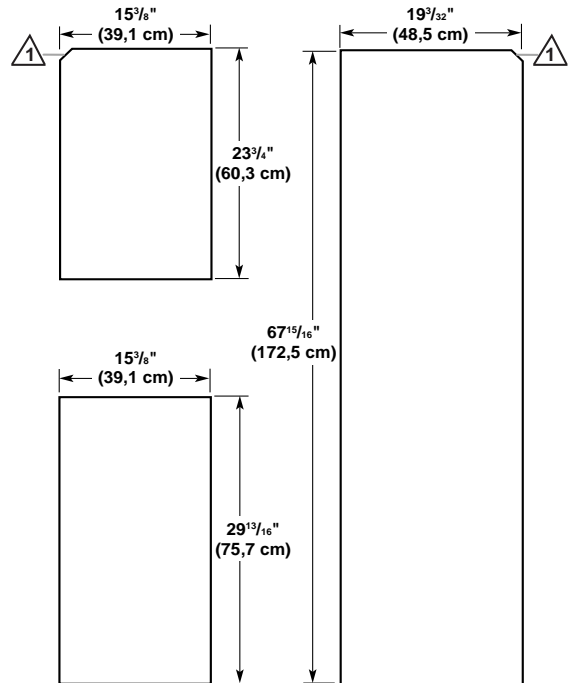
- Blanc - n° 2208187W
- Noir - n° 2208187B
- Biscuit - n° 2208187T
- Acier inoxydable - n° 2208187S

Panneaux de porte personnalisés

Si vous prévoyez installer des panneaux personnalisés en bois, vous devrez les créer vous-même ou consulter un ébéniste ou menuisier qualifié. Voir les dessins dimensionnels pour les spécifications des panneaux.

IMPORTANT : Les panneaux de poids supérieur au poids recommandé risquent d'endommager le réfrigérateur. Le panneau de la porte du réfrigérateur ne devrait pas excéder 28 lbs. (12,7 kg). Le panneau de la porte du congélateur ne devrait pas excéder 21 lbs. (9,5 kg).

Vous pouvez créer des panneaux en vissant ou en collant des panneaux de bois à un appui en contreplaqué de 1/4 po (6,35 mm) ou en utilisant un panneau de 3/4 po (19,05 mm) à bords usinés.

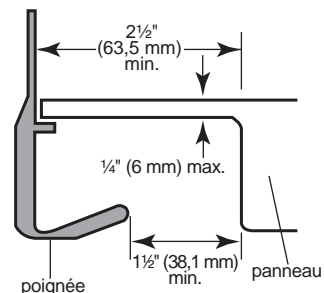


⚠ Chanfrein de 1/8 po x 1/8 po (3,2 x 3,2 mm) requis sur installations avec panneaux personnalisés ou installation avec élément d'appui de 1/4 po.

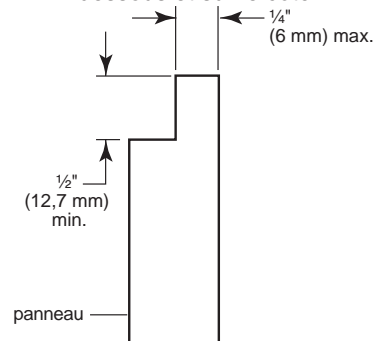
Dimensions d'usinage pour les panneaux personnalisés de plus de 1/4 po (6 mm) d'épaisseur

Usiner toute la longueur ou les zones sélectionnées des panneaux (côté poignée) de 2 1/2 po (63,5 mm).

Détail du côté poignée



Détail de la garniture dessus, dessous et sur le côté



Emplacement d'installation

AVERTISSEMENT



Risque d'explosion

Garder les matériaux et les vapeurs inflammables, telle que l'essence, loin du réfrigérateur.

Le non-respect de cette instruction peut causer un décès, une explosion ou un incendie.

REMARQUES :

- Le réfrigérateur à profondeur d'armoire peut être installé dans un encastrement, à l'extrémité des armoires ou en position autonome.
- Si vous installez le réfrigérateur pour qu'il soit en affleurement avec le devant des armoires inférieures, il faut enlever toutes les moulures et plinthes de l'arrière de l'ouverture d'encastrement.
- Un nécessaire de garnitures est disponible pour les installations où le réfrigérateur ne sera pas en affleurement. Voir la section "Assistance ou service" dans le Guide d'utilisation et d'entretien pour des renseignements de commande.
- Pour les portes d'armoire à recouvrement complet, la hauteur de l'ouverture doit être de 72 $\frac{1}{8}$ po (183,2 cm).
- L'emplacement devrait permettre l'ouverture complète des portes. Voir la section "Dimensions de l'ouverture des portes".
- Ne pas installer le réfrigérateur près d'un four, d'un radiateur ou d'une autre source de chaleur, ni dans un endroit où la température baissera au-dessous de 55°F (13°C).
- Le plancher doit supporter le poids du réfrigérateur (plus de 600 lbs. [272 kg], des panneaux de porte et du contenu).

Spécifications électriques

AVERTISSEMENT



Risque de choc électrique

Brancher sur une prise à 3 alvéoles reliée à la terre.

Ne pas enlever la broche de liaison à la terre.

Ne pas utiliser un adaptateur.

Ne pas utiliser un câble de rallonge.

Le non-respect de ces instructions peut causer un décès, un incendie ou un choc électrique.

Avant de placer le réfrigérateur à son emplacement final, il est important de vous assurer d'avoir la connexion électrique appropriée :

Méthode recommandée de mise à la terre

Une source d'alimentation de 115 volts, 60 Hz, type 15 ou 20 ampères CA seulement, protégée par fusibles et adéquatement mise à la terre est nécessaire. Il est recommandé d'utiliser un circuit distinct pour alimenter uniquement votre réfrigérateur. Utiliser une prise murale qui ne peut pas être mise hors circuit à l'aide d'un commutateur. Ne pas employer de rallonge.

IMPORTANT : Si ce produit est connecté à une prise protégée par un disjoncteur de fuite à la terre, un déclenchement intempestif peut se produire et causer une perte de refroidissement. La qualité et la saveur des aliments risquent d'être affectées. Si un déclenchement intempestif se produit et si les aliments semblent de piètre qualité, jeter le tout.

REMARQUE : Avant d'exécuter tout type d'installation, nettoyage ou remplacement d'une ampoule d'éclairage, tourner la commande (du thermostat, du réfrigérateur ou du congélateur selon le modèle) à OFF (arrêt) et débrancher ensuite le réfrigérateur de la source d'alimentation électrique. Lorsque vous avez terminé, reconnecter le réfrigérateur à la source d'alimentation électrique et mettre de nouveau la commande du thermostat, du réfrigérateur ou du congélateur selon le modèle) au réglage désiré.

Spécifications de l'alimentation en eau

IMPORTANT :

- Si on doit utiliser le réfrigérateur avant qu'il soit raccordé à la canalisation d'eau, placer la commande de la machine à glaçons à la position OFF (arrêt).
- Toutes les installations doivent être conformes aux exigences des codes locaux de plomberie.
- Utiliser un tube en cuivre et vérifier s'il y a des fuites. Installer les tubes en cuivre seulement à des endroits où la température se maintient au-dessus du point de congélation.

REMARQUE : Votre marchand de réfrigérateurs offre une trousse avec un robinet d'arrêt à étrier de 1/4 in. (6,35 mm), un raccord et un tube en cuivre. Avant l'achat, s'assurer que le robinet d'arrêt à étrier est conforme aux codes locaux de plomberie. Ne pas employer de robinet d'arrêt à étrier de 3/16 po (4,76 mm) ou de type à percer, qui réduit le débit d'eau et cause une obstruction plus facilement.

Arrivée d'eau froide

Connecter la machine à glaçons à une canalisation d'eau froide avec limitations de pression d'eau de 30 à 120 lb/po². Si vous avez des questions au sujet de la pression d'eau, contacter la compagnie de distribution d'eau.

INSTRUCTIONS D'INSTALLATION

Déballage du réfrigérateur

AVERTISSEMENT

Risque du poids excessif

Utiliser deux ou plus de personnes pour déplacer et installer le réfrigérateur.

Le non-respect de cette instruction peut causer une blessure au dos ou d'autre blessure.

IMPORTANT :

- Les 4 pieds de nivellement doivent toucher le plancher pour supporter et stabiliser le poids total du réfrigérateur.
 - Garder la pièce de carton ou de contreplaqué d'expédition sous le réfrigérateur jusqu'à son installation à l'emplacement de service.
1. Enlever et conserver la pochette de documentation. Utiliser une clé à douille de 3/8 po pour enlever la plate-forme.
 2. Enlever tout résidu de ruban adhésif et de colle des surfaces du réfrigérateur avant de le mettre en marche. Frotter une petite quantité de savon liquide à vaisselle sur l'adhésif avec les doigts. Rincer à l'eau tiède et essuyer.

REMARQUES :

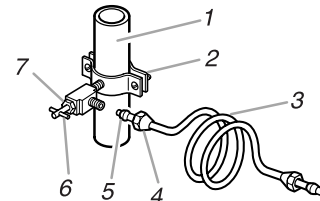
- Ne pas utiliser d'instruments coupants, d'alcool à friction, de liquides inflammables ou de nettoyants abrasifs pour enlever le ruban adhésif ou la colle. Ces produits peuvent endommager la surface de votre réfrigérateur. Pour plus de renseignements, voir le Guide d'utilisation et d'entretien.
 - Ne pas enlever la fiche technique fixée derrière la grille de la base.
 - Nettoyer avant l'usage : Après avoir enlevé tous les matériaux d'emballage, nettoyer l'intérieur du réfrigérateur avant l'usage. Voir les instructions de nettoyage à la section "Entretien du réfrigérateur" du Guide d'utilisation et d'entretien.
3. Placer des pièces de carton ou de contreplaqué d'expédition sur le plancher lorsqu'on utilise un chariot pour faire entrer le réfrigérateur dans le domicile. Déplacer le réfrigérateur près de l'ouverture d'encastrement.

Installation d'une nouvelle canalisation d'eau

(si requise)

OUTILS REQUIS : Tournevis à lame plate, 7/16 po et des clés plates de 1/2 po ou deux clés à molette, un foret de 1/4 po, une perceuse manuelle ou électrique (convenablement reliée à la terre).

1. FERMER le robinet principal d'arrivée d'eau. OUVRIRE le robinet de puisage le plus proche pendant une période suffisante pour que la canalisation d'eau se vide.
2. Trouver une canalisation d'eau FROIDE verticale de 1/2 po (12,70 mm) à 1 1/4 po (3,18 cm) près du réfrigérateur.
REMARQUE : Un conduit horizontal fonctionnera, mais le procédé suivant doit être suivi : Percer par le dessus de la canalisation et non pas par le dessous. Ainsi, l'eau ne risquera pas d'arroser la perceuse. Ceci empêche également les sédiments qu'on trouve normalement dans l'eau de s'accumuler dans le robinet d'arrêt.
3. Déterminer la longueur du tube de cuivre nécessaire. Mesurer la distance entre le point de connexion inférieur gauche à l'arrière du réfrigérateur et le tuyau d'arrivée d'eau. Ajouter 7 pi (2,1 m) pour permettre le déplacement du réfrigérateur pour le nettoyage. Utiliser un tube en cuivre de 1/4 po (6,35 mm) de diamètre extérieur. Veiller à ce que le tube soit coupé d'équerre aux deux extrémités.
4. À l'aide d'une perceuse électrique reliée à la terre, percer un trou de 1/4 po (6,35 mm) dans la canalisation d'eau froide choisie.



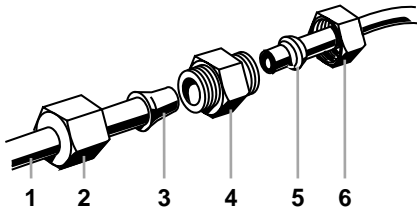
1. Canalisation d'eau froide
2. Bride de tuyau
3. Tube en cuivre
4. Écrou de compression
5. Bague de compression
6. Robinet d'arrêt
7. Écrou de serrage

5. Fixer le robinet d'arrêt sur la canalisation d'eau froide avec la bride de tuyau. Vérifier que le raccord du robinet est bien engagé dans le trou de 1/4 po (6,35 mm) percé dans la canalisation et que la rondelle d'étanchéité est placée sous la bride du tuyau. Serrer l'écrou de serrage. Serrer soigneusement et uniformément les vis fixant la bride de tuyau sur la tuyauterie afin que la rondelle forme une jonction étanche. Ne pas serrer excessivement car ceci pourrait provoquer l'écrasement du tube en cuivre, particulièrement s'il s'agit d'un tube en cuivre malléable (enroulé). On est maintenant prêt à connecter le tube en cuivre.
6. Enfiler l'écrou et la bague de compression du raccord sur le tube en cuivre comme on le voit sur l'illustration. Insérer l'extrémité du tube aussi loin que possible dans l'ouverture de sortie du robinet d'arrêt. Visser l'écrou de compression sur le raccord de sortie avec une clé à molette. Ne pas serrer excessivement.
7. Placer le bout libre du tube dans un contenant ou évier et OUVRIRE le robinet principal d'arrivée d'eau et laisser l'eau s'écouler par le tube jusqu'à ce que l'eau soit limpide. FERMER le robinet principal d'arrivée d'eau.

Raccordement à l'alimentation en eau

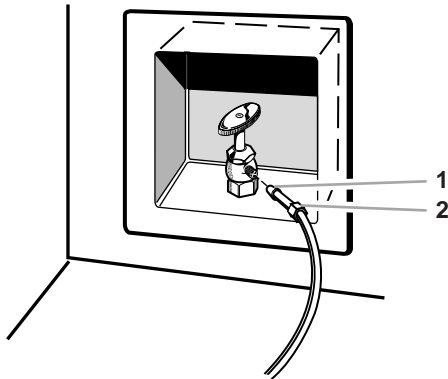
1. Enlever le ruban d'expédition du tube enroulé gris à l'arrière du réfrigérateur.
2. Avant de raccorder le tube en cuivre au réfrigérateur, purger le tube en cuivre en laissant couler au moins 2 pintes (1,9 L) d'eau dans un seau pour éliminer toute particule de la canalisation.
3. Vérifier s'il y a des fuites autour du robinet d'arrêt à étrier. Ne pas serrer excessivement la bride ou la bague. Ceci provoquera l'écrasement du tube en cuivre.
4. Effectuer le raccordement au réfrigérateur.

Style 1 : Enfiler l'écrou acheté, puis la bague achetée sur le tube. Pousser le tube dans le raccord acheté aussi loin que possible. Glisser l'écrou et la bague vers l'avant. Serrer l'écrou manuellement. Puis le serrer avec une clé deux tours de plus. Ne pas serrer excessivement.



- | | |
|----------------------------------|---------------------|
| 1. Canalisation au réfrigérateur | 4. Raccord (acheté) |
| 2. Écrou (fourni) | 5. Bague (achetée) |
| 3. Ampoule | 6. Écrou (acheté) |

Style 2 : Pousser l'extrémité à ampoule du tube dans le robinet de débit d'eau aussi loin que possible. Glisser l'écrou vers l'avant et le serrer avec les doigts. Serrer l'écrou manuellement. Puis le serrer avec une clé deux tours de plus. Ne pas serrer excessivement.



1. Ampoule
2. Écrou

5. OUVRIR le robinet d'arrêt.
6. Vérifier s'il y a des fuites. Serrer tous les écrous ou raccords (y compris les raccords de la valve d'entrée d'eau) qui coulent.

Brancher le réfrigérateur

⚠ AVERTISSEMENT



Risque de choc électrique

Brancher sur une prise à 3 alvéoles reliée à la terre.

Ne pas enlever la broche de liaison à la terre.

Ne pas utiliser un adaptateur.

Ne pas utiliser un câble de rallonge.

Le non-respect de ces instructions peut causer un décès, un incendie ou un choc électrique.

1. Brancher sur une prise à 3 alvéoles reliée à la terre.
2. Déplacer le réfrigérateur à l'emplacement final.

Nivellement du réfrigérateur

IMPORTANT : Les 4 pieds de nivellement doivent toucher le plancher pour supporter et stabiliser le poids total du réfrigérateur.

Enlèvement de la grille de la base

1. Ôter la grille de la base si elle est installée. Ouvrir les portes du réfrigérateur à 90°.

REMARQUE : Ne pas enlever les fiches techniques fixées derrière la grille.

2. Ôter la grille de la façon suivante.

Style 1 – Grille de la base vissable :

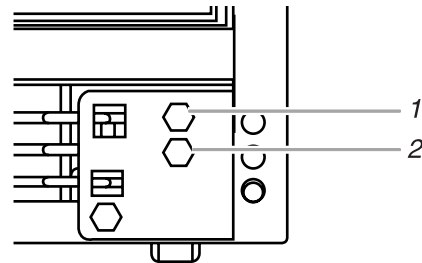
- Repérer les alvéoles situées à environ 4 po (10 cm) de chaque extrémité de la grille. Avec un tournevis, dévisser la vis dans chaque alvéole.

Style 2 – Grille de la base emboîtable :

- Saisir la grille des deux mains. Soulever la grille et incliner le dessus vers soi.

Nivellement du réfrigérateur

Les boulons de nivellement des roulettes se trouvent derrière la grille de la base. Le réfrigérateur comporte 4 roulettes réglables (2 à l'avant et 2 à l'arrière). Deux ensembles de boulons de nivellement des roulettes se trouvent de chaque côté de la base du réfrigérateur.



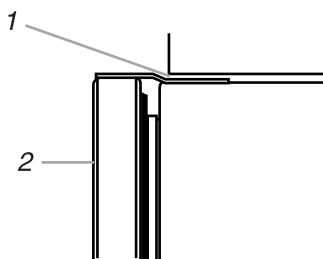
1. Boulon de nivellement arrière (jaune)
2. Boulon de nivellement avant (argent)

REMARQUE : Le boulon jaune ajuste l'arrière du réfrigérateur et le boulon argent ajuste l'avant du réfrigérateur.

1. Utiliser une clé à douille de ½ po (12,70 mm) pour ajuster les boulons de nivellement. Tourner le boulon de nivellement vers la droite pour soulever ce côté du réfrigérateur ou vers la gauche pour abaisser ce côté. Il peut être nécessaire de tourner les boulons plusieurs tours pour ajuster l'inclinaison du réfrigérateur.

REMARQUE : S'assurer de ne pas trop dévisser les boulons de nivellement lorsqu'on abaisse le réfrigérateur. La tête du boulon commencera à se dégager du réfrigérateur lorsqu'il est à la position la plus basse. Si la vis sort de la bride de la roulette arrière, le couvercle d'accès au compartiment à l'arrière du réfrigérateur devra être enlevé pour réinstaller le boulon.

2. Ajuster le boulon de nivellement avant pour que le sommet du réfrigérateur soit parallèle à l'armoire au-dessus du réfrigérateur. Pour les armoires standard, laisser un écart d'environ ⅛ po (3,18 mm) entre les charnières supérieures et l'armoire. Pour les armoires complètement recouvertes, laisser un écart de ¼ po (6,35 mm) pour le nivellement. Si vous n'avez pas une armoire au-dessus de réfrigérateur, ajuster simplement le réfrigérateur pour qu'il soit d'aplomb.



1. Pour les armoires standard, laisser un dégagement minimal de ⅛ po (3,18 mm) pour le nivellement du réfrigérateur. Pour les armoires complètement recouvertes, laisser un dégagement minimal de ¼ po (6,35 mm) pour le nivellement et le dégagement de porte.
2. Avant du réfrigérateur.

3. Ajuster le boulon de nivellement arrière pour que le réfrigérateur soit à niveau avec les panneaux des armoires latérales ou de l'extrémité des armoires.
4. Si vous le désirez, vous pouvez désormais utiliser les 4 boulons de nivellement pour soulever le réfrigérateur et fermer l'écart entre la charnière supérieure du réfrigérateur et l'ouverture de l'armoire. Vérifier que les 4 roulettes touchent encore le plancher et que les portes de l'armoire au-dessus du réfrigérateur s'ouvrent complètement.

Réinstallation de la grille de la base

1. Ouvrir les portes du réfrigérateur à 90°.
2. Réinstaller la grille de la base.

Style 1 – Grille de la base vissable :

- Placer la grille devant son emplacement.
- Au moyen d'un tournevis, guider les vis à travers les trous de la grille et dans les attaches situées dans les cornières de chaque côté de l'ouverture. Bien serrer les vis.

Style 2 – Grille de la base emboîtable :

- Placer les attaches inférieures de la grille dans les trous du panneau du réfrigérateur. Relever la grille vers le réfrigérateur jusqu'à ce qu'elle s'emboîte en place.

Achever l'installation

1. Tourner le robinet de la canalisation d'eau à la position "Open" (ouvert).
2. Tourner le commutateur du réfrigérateur à la position ON (marche). Attendre quelques minutes. Vérifier les raccords de la canalisation d'eau pour des fuites.
3. Régler les commandes des compartiments de réfrigération et de congélation au réglage moyen. S'assurer que le compresseur fonctionne bien et que toutes les lumières s'allument.
4. Purger le système d'eau avant l'utilisation. Voir la section "Préparation du système d'eau" dans le Guide d'utilisation et d'entretien.

REMARQUE : Si la construction continue après l'installation du réfrigérateur, régler les commandes à OFF (arrêt).

Si le réfrigérateur ne fonctionne pas :

- Vérifier que le disjoncteur ne s'est pas déclenché ou qu'un fusible du domicile n'est pas grillé.
- Vérifier que le cordon d'alimentation est branché sur la prise.
- Voir la section "Dépannage" dans le Guide d'utilisation et d'entretien.

ASSISTANCE OU SERVICE

Si vous avez des questions concernant le fonctionnement, le nettoyage ou l'entretien de votre réfrigérateur :

- Consulter le Guide d'utilisation et d'entretien.
- Téléphoner au Centre d'interaction avec la clientèle. Vérifier le Guide d'utilisation ou d'entretien pour le numéro à composer ou téléphoner au marchand chez qui l'appareil ménager a été acheté.

Si vous avez besoin de service

Maintenez la qualité de votre réfrigérateur en téléphonant à une compagnie de service agréée.

Pour obtenir le nom et le numéro d'une compagnie de service agréée, procédez comme suit :

- Contactez le marchand chez qui vous avez acheté votre réfrigérateur.
- Consultez les Pages jaunes de votre annuaire téléphonique.
- Téléphoner au Centre d'interaction avec la clientèle. Le numéro est indiqué dans votre Guide d'utilisation et d'entretien.

Lors de l'appel, vous aurez besoin des numéros de modèle et de série du réfrigérateur. Les deux numéros sont indiqués sur la plaque signalétique à l'intérieur du réfrigérateur.

2221514A

© 2003. All rights reserved.
Tous droits réservés.

® Registered Trademark/TM Trademark of KitchenAid, U.S.A., KitchenAid Canada licensee in Canada
® Marque déposée/TM Marque de commerce de KitchenAid, U.S.A., Emploi licencié par KitchenAid Canada au Canada

5/03
Printed in U.S.A.
Imprimé aux É.-U.

Free Manuals Download Website

<http://myh66.com>

<http://usermanuals.us>

<http://www.somanuals.com>

<http://www.4manuals.cc>

<http://www.manual-lib.com>

<http://www.404manual.com>

<http://www.luxmanual.com>

<http://aubethermostatmanual.com>

Golf course search by state

<http://golfingnear.com>

Email search by domain

<http://emailbydomain.com>

Auto manuals search

<http://auto.somanuals.com>

TV manuals search

<http://tv.somanuals.com>