

FOR ORDERING INFORMATION REFER TO PARTS PRICE LIST

# CABINET PARTS

For Models: KBL522KTSS11

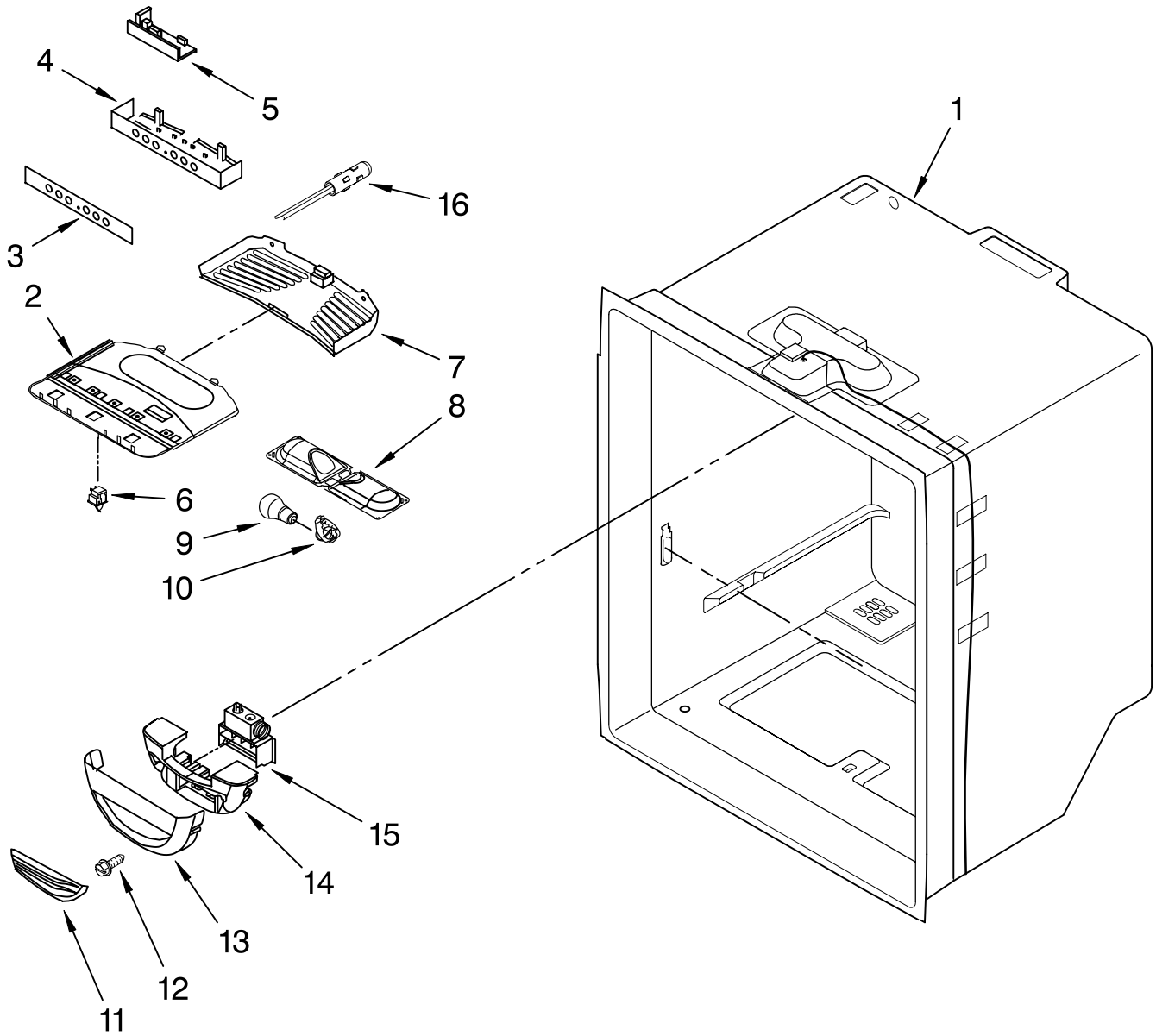
(Stainless Steel-LH)

Illus. No.	Part No.	DESCRIPTION	Illus. No.	Part No.	DESCRIPTION	Illus. No.	Part No.	DESCRIPTION
1		Literature Parts	10	12456801	Bracket, Roller	22		Grille Assembly
	W10137649	Owners Manual	11	67006380	Screw		67006954	Black
	W10123818	Energy Tag	12	67006473	Screw	23	67001098	Cover, Fill Tube
	W10168777	Tech Sheet	13	67005064	Label, Fill Tube	25	67006425	Screw (9)
2		Cabinet (Not a Servicable Part)	14	67006303	Screw	27	67001097	Cover, Water Valve
3		Plug, Button (3)	15		Hinge, Center	28	12575101ED	Cover, Unit
	67001131	Black		67007043	Black	29	12479901	Plate, Cover
4	67006662	Screw	16	67003868	Foot Brake	30	67003796	Insulation, Sound
5	67006118	Roller Assembly	17		Cover, Corner	31	W10164397	Tube, Drain
6	12627302	Clip, Grille		67003485	Black	32	67001067	Clip, Drain Tube
7	67006642	Pin, Center Hinge	18	12566604ED	Hinge, Top	33	M0286708	Nut, Speed
8	67006611	Bolt, Adjusting (Rear)	19	67007174	Bracket, Foot	34	67005127	Roller
9	67006521	Screw	20	67006473	Screw	35	M1205302	Pin
			21		Cover, Hinge	36	67006737	Screw
				67001012	Black	37	B5759649	Gasket

FOR ORDERING INFORMATION REFER TO PARTS PRICE LIST

# REFRIGERATOR LINER PARTS

For Models: KBL522KTSS11  
(Stainless Steel-LH)



FOR ORDERING INFORMATION REFER TO PARTS PRICE LIST

# REFRIGERATOR LINER PARTS

For Models: KBLS22KTSS11  
(Stainless Steel-LH)

<b>Illus. No.</b>	<b>Part No.</b>	<b>DESCRIPTION</b>
1		Liner (Not A Serviceable Part)
2	Y67003896	Bracket, Control and Lights
3	W10183186	Overlay
4	67005444	Housing, Electronic Control
5	67005397	Electronic Control
6	C3680310	Switch, Light
7	67003897	Cover, Light
8	67003901	Housing, Light
9	A0282812	Bulb, Light (2)
10	Y12570701	Socket, Light (2)
11	67003900	Insert, Damper Cover
12	67006602	Screw
13	67003899	Cover, Damper
14	67006604	Insulation
15	W10127429	Control, Damper
16	12002355	Thermistor

---

#### Following Parts Not Illustrated

---

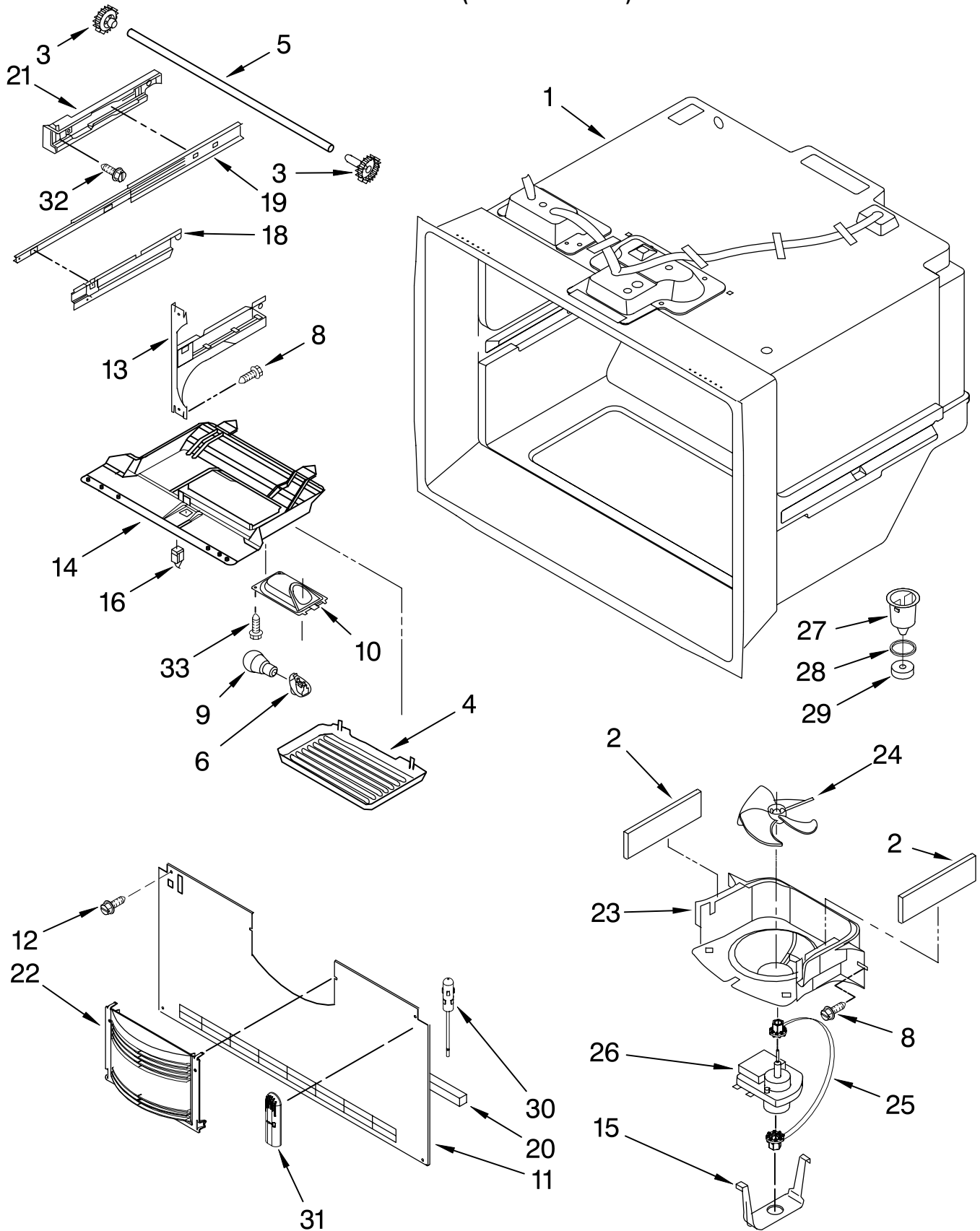
67005644 Harness, Controls  
(Refrigerator)  
(Includes # 16)

FOR ORDERING INFORMATION REFER TO PARTS PRICE LIST

# FREEZER LINER PARTS

For Models: KBL522KTSS11

(Stainless Steel-LH)



FOR ORDERING INFORMATION REFER TO PARTS PRICE LIST

# FREEZER LINER PARTS

For Models: KBL522KTSS11

(Stainless Steel-LH)

<u>Illus.</u>	<u>Part</u>	<u>DESCRIPTION</u>
<u>No.</u>	<u>No.</u>	
1		Liner (Not A Seviceable Part)
2	67001291	Gasket, Foam
3	12002497	Gear (2) (Includes RH & LH)
4	67003905	Cover, Light
5	67004261	Shaft
6	Y12570701	Socket, Light
8	67006473	Screw
9	A0282812	Bulb, Light
10	67001035	Housing, Frz. Light
11	67005872	Cover, Evaporator
12	67006425	Screw
13		Bracket, Door
	W10122147	Left
	W10122148	Right
14	67003906	Housing, Lighting
15	W10167028	Clip, Evap. Motor
16	67005653	Switch, Light
18		Bracket, Basket
	67004014	Left
	67004015	Right
19	W10120018	Slide, Drawer (2)
20	67001776	Gasket, Bottom
21		Bracket, Slide
	W10128118	Left
	W10128119	Right
22	W10175909	Cover, Fan Shroud
23	W10167023	Shroud, Evap.Fan
24	2169142	Fan, Evaporator
25	W10121318	Grommet
26	67003636	Motor, Evaporator
27	D7753903	Funnel, Drain
28	M0500703	Seal
29	B8381501	Gasket
30	12002355	Thermistor
31	67003924	Cover, Thermistor
32	67006406	Screw
33	67006530	Screw

---

### Following Parts Not Illustrated

---

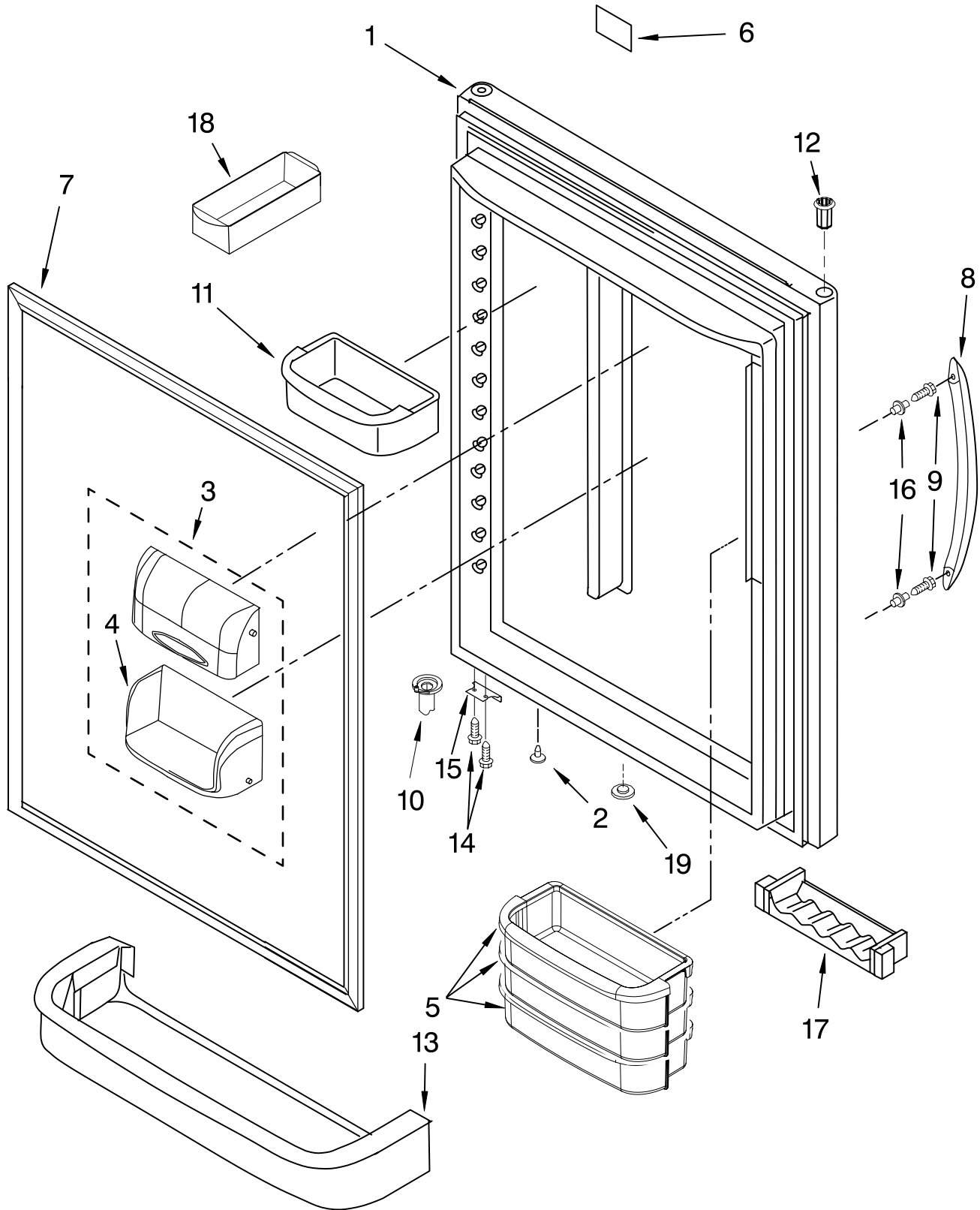
67006095 Harness, Lights  
(Freezer)

FOR ORDERING INFORMATION REFER TO PARTS PRICE LIST

# REFRIGERATOR DOOR PARTS

For Models: KBL522KTSS11

(Stainless Steel-LH)



FOR ORDERING INFORMATION REFER TO PARTS PRICE LIST

# REFRIGERATOR DOOR PARTS

For Models: KBL522KTSS11

(Stainless Steel-LH)

<b>Illus. No.</b>	<b>Part No.</b>	<b>DESCRIPTION</b>
1		Refrigerator Door
	W10170545	Stainless Steel-LH
2		Plug, Vent
	67004838	Black
3	67003819	Door, Compartment
4	67001279	Tray, Dairy
5	67005672	Bin, Shelf (3) (Medium)
6		Nameplate
	W10146610	Grey
7		Gasket, Door Magnetic
	W10131327	Black
8		Handle, Door
	2319727S	Stainless Steel
9	67002935	Screw
10		Closure, Door
	67003639	Black
11	67005724	Bin, Shelf (1) (Small)
12		Bushing
	67004978	Black
13	67001748	Retainer
14	67006287	Screw (2)
15		Stop, Door
	67003780	Black
16	67006113	Mount, Handle
17	67005626	Caddy, Can
18	W10136387	Bin, Egg
19		Plug, Button
	67004838	Black

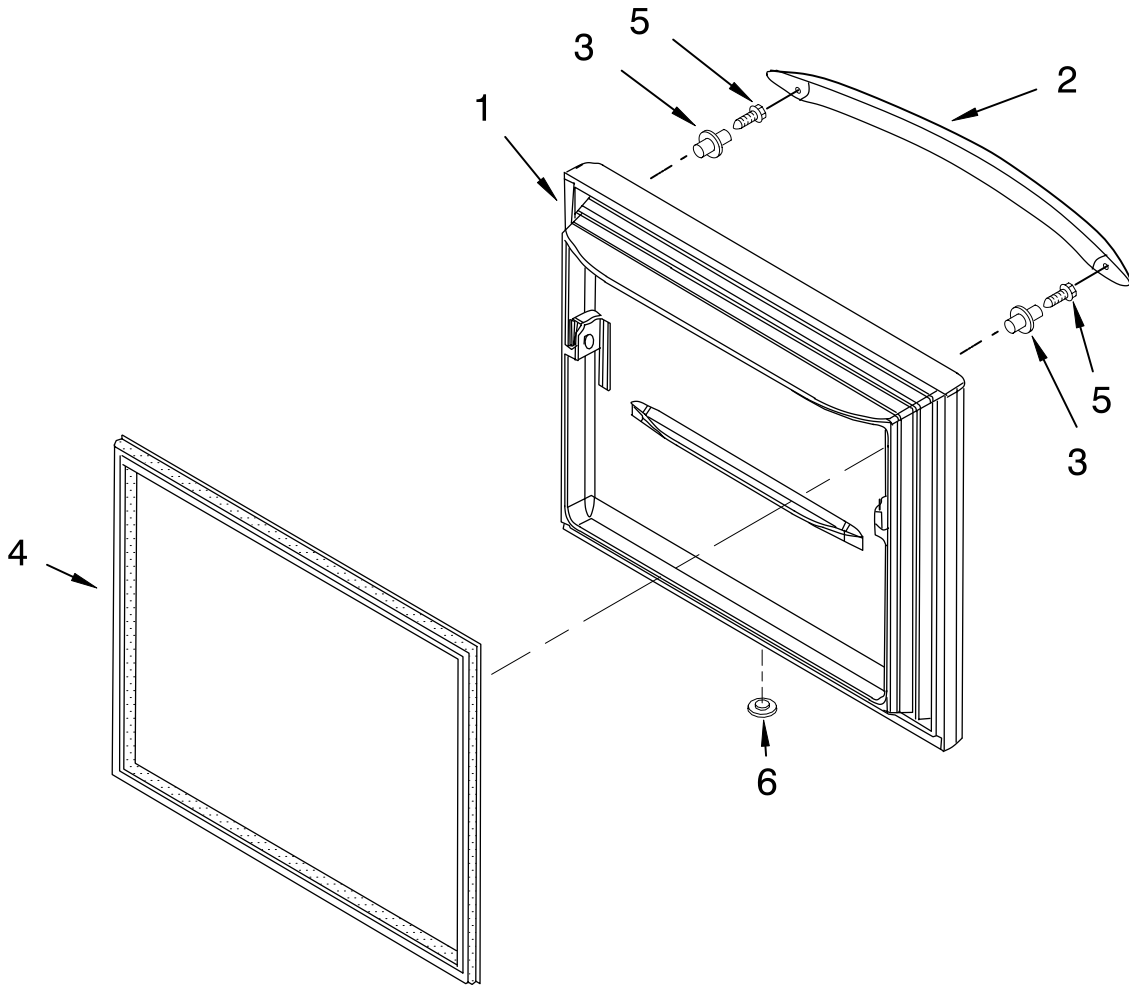
FOR ORDERING INFORMATION REFER TO PARTS PRICE LIST



# FREEZER DOOR PARTS

For Models: KBL522KTSS11

(Stainless Steel-LH)



FOR ORDERING INFORMATION REFER TO PARTS PRICE LIST

# FREEZER DOOR PARTS

For Models: KBL522KTSS11

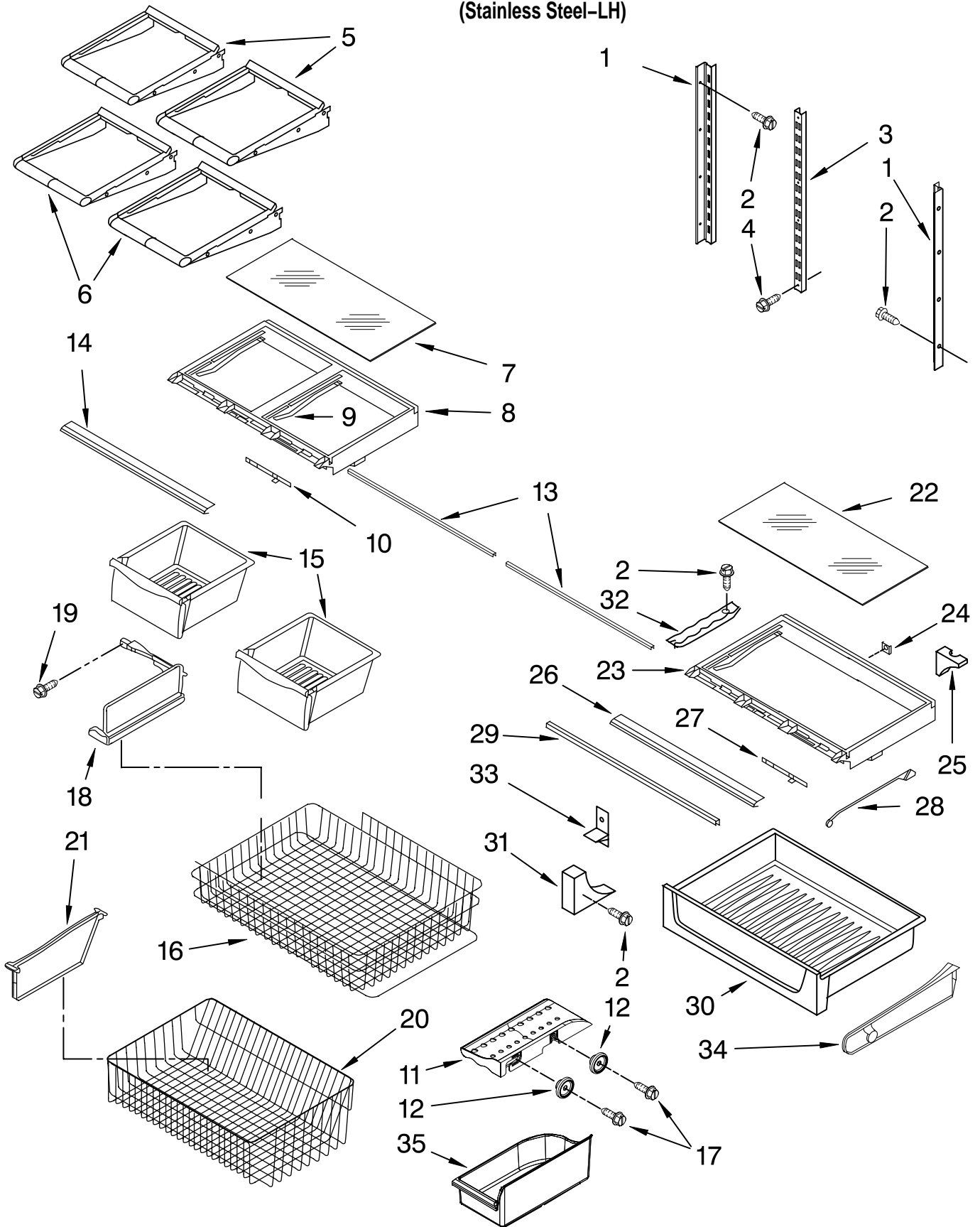
(Stainless Steel-LH)

<b>Illus.</b>	<b>Part</b>	
<b>No.</b>	<b>No.</b>	<b>DESCRIPTION</b>
1		Freezer Door (w/ Insulation)
	W10170543	Stainless Steel
2		Handle, Door
	2319727S	Stainless Steel
3	67006113	Mount, Handle
4		Gasket, Door
	W10130587	Black
5	67002935	Screw
6		Plug, Vent (2)
	67004938	Black

FOR ORDERING INFORMATION REFER TO PARTS PRICE LIST

# SHELF PARTS

For Models: KBL522KTSS11  
(Stainless Steel-LH)



FOR ORDERING INFORMATION REFER TO PARTS PRICE LIST

# SHELF PARTS

For Models: KBL522KTSS11  
(Stainless Steel-LH)

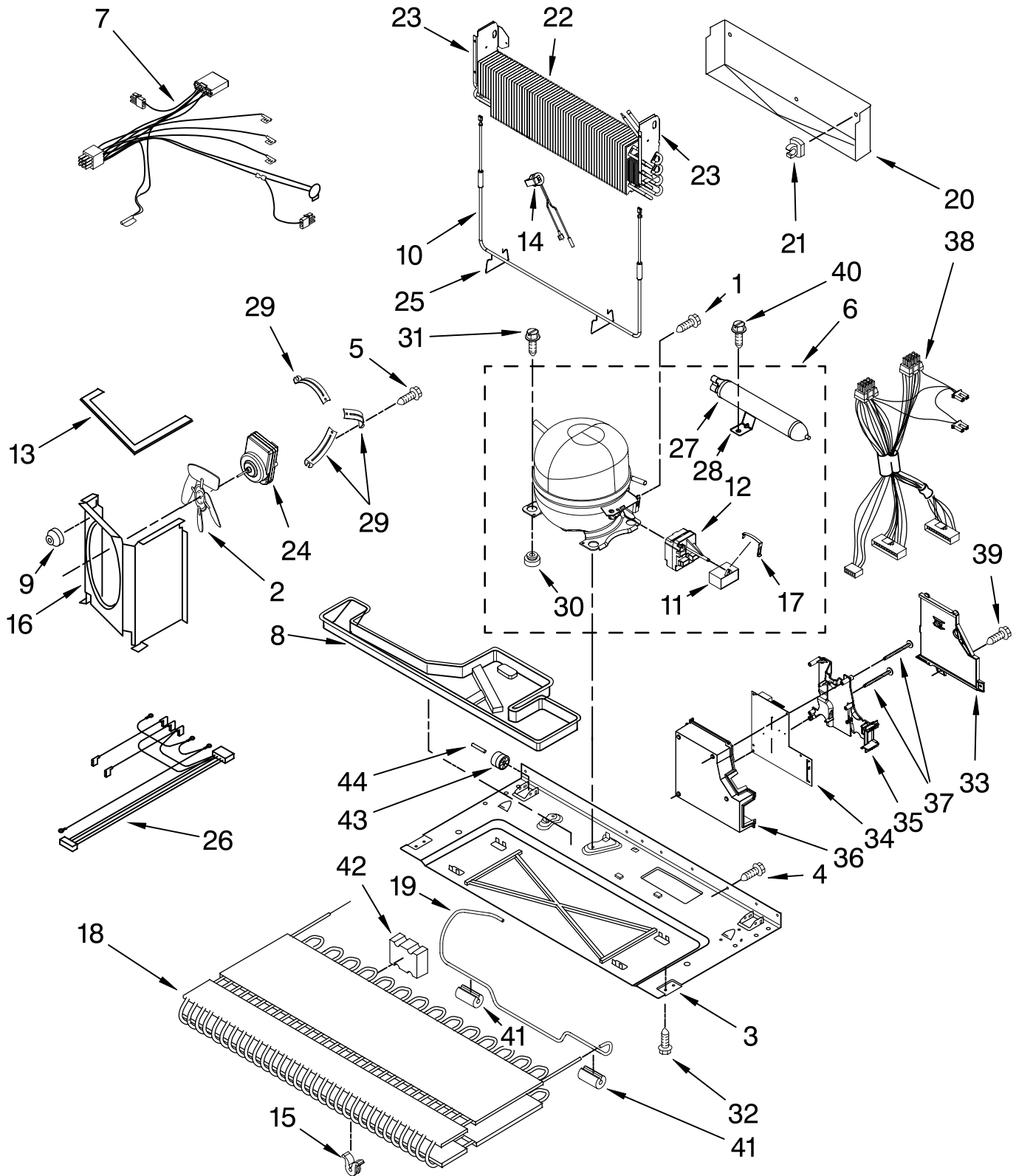
Illus. No.	Part No.	DESCRIPTION
1	67001317	Ladder, Side
2	67006400	Screw
3	67001073	Ladder, Center
4	67006360	Screw
5	67005730	Shelf, Fixed (2)
6	67005731	Shelf, Glide (2)
7	67006878	Glass, Crisper
8	67001056	Frame, Crisper
9	67001057	Support, Center Crisper Drawer
10	67005864	Slide, Humidity Control
11	12646501	Rack, Ice
12	10972101	Spacer
13	67001059	Support, Crisper Frame
14	67005732	Trim, Crisper
15	67005927	Pan, Crisper (2)
16	67004986	Basket, Freezer (Upper)
17	67006908	Screw
18	67004127	Divider, Upper Basket
19	67006608	Screw
20	67006024	Basket, Freezer (Lower)
21	67006644	Divider, Lower Basket
22	67006878	Glass, Pantry
23	67001056	Frame, Pantry
24	67002005	Gasket, Pantry
25	67002004	Air Duct, Pantry
26	67001913	Trim, Pantry
27	67002002	Slide, Pantry Control
28	67002003	Rod, Temperature Control
29	67001059	Support, Rear
30	67005928	Drawer, Pantry
31		Support, Pantry
	67001721	Left
	67001722	Right
32	67001719	Track, Pantry
33	67001716	Hook, Ladder (2)
34	67001923	Divider, Pantry
35	67001255	Pan, Ice Drawer

FOR ORDERING INFORMATION REFER TO PARTS PRICE LIST

# UNIT PARTS

For Models: KBL522KTSS11

(Stainless Steel-LH)



FOR ORDERING INFORMATION REFER TO PARTS PRICE LIST

# UNIT PARTS

For Models: KBL522KTSS11  
(Stainless Steel-LH)

Illus. No.	Part No.	DESCRIPTION
1	67006433	Screw
2	W10162928	Blade, Fan
3	67005744	Basepan
4	67006425	Screw (2)
5	67004954	Screw
6	W10130129	Compressor
7	W10119857	Harness, Evap. Heater
8	67004713	Drain Pan
9	61004743	Grommet (3)
10	67001794	Evaporator Heater
11	2264017	Capacitor
12	W10136414	Start Device
13	61003210	Gasket
14	W10165425	Thermostat
15	W10137529	Grommet (4)
16	W10158508	Shroud, Condenser
17	W10136415	Clip, Capacitor
18	67006132	Condenser
19	W10167036	Tube, Discharge
20	67001080	Tray, Drip
21	10623002	Clip, Evaporator
22	12001919	Evaporator Dam
23	67001084	Right Side
	67001083	Left Side

Illus. No.	Part No.	DESCRIPTION
24	67004432	Motor, Fan
25	10428101	Clip, Heater
26	13060202	Harness, Unit Includes Cord
27	B2150504	Drier (Service)
28	10547003	Clip, Drier
29	67004953	Bracket, Fan Motor
30	W10169124	Grommet (4)
31	67006432	Screw (2)
32	67006573	Screw
33	67005421	Cover, HV Box
34	W10168780	Board, HV
35	67005719	Spacer, HV
36	67005718	Box, HV
37	67006550	Screw
38	67005938	Harness, HV
39	67006615	Screw (3)
40	67006737	Screw
41	67005680	Grommer (2)
42	67005491	Block, Condenser
43	67005149	Roller (2)
44	67006434	Axle, Roller (2)

Illus. No.	Part No.	DESCRIPTION
------------	----------	-------------

Following Parts Not Illustrated  
and Optional Parts Not Included

978025	Valve, Access (1/4")
978026	Valve, Access (5/16")
978027	Valve, Access (3/8")
978028	Valve, Access (1/2")
978029	Valve, Access (5/8")
978030	Valve, Access (3/4")
876764	Valve, Access (3/16")

### REFRIGERANT CHARGE

5.00 Ozs.  
(R-134A)

FOR ORDERING INFORMATION REFER TO PARTS PRICE LIST

# OPTIONAL PARTS (NOT INCLUDED)

For Models: KBL522KTSS11

(Stainless Steel-LH)

Illus. No.	Part No.	DESCRIPTION	Illus. No.	Part No.	DESCRIPTION	Illus. No.	Part No.	DESCRIPTION
<b><u>PAINT, TOUCH-UP (1/2oz.)</u></b>			<b><u>PAINT, BULK (1 qt.)</u></b>			<b><u>TORX SCREW WRENCH</u></b>		
		OPTIONAL PARTS						1117510 Torx Key
		72017 White		799344	White (Uncut)			
		72032 Black		799340	Black (Uncut)			
<b><u>PAINT, PRESSURIZED SPRAY (12 oz.)</u></b>			<b><u>Miscellaneous</u></b>			<b><u>ICE MAKER FIELD INSTALLABLE</u></b>		
		*350930 White		212643	Sealer, Gum (4 Feet)			D7824706Q Complete Icemaker
		*350939 Black		479502	Tape, Vinyl (3/4 x 108")			
		*350942 Primer, White		505587	Sealer, Mastic (1 Qt.)			
				503695	Cork, Sealer (1/4 Pound)			
				542638	Grease, Silicone (1/2 Oz.)			
				542639	Cement, Alumilastic (1-1/4 Oz.)			
				799833	Kit, Evaporator Repair (Aluminum Epoxy)			
				833938	Kit, Terminal Connector			
								<b><u>ACCESSORIES</u></b>
								2217192 Cleaner, Stainless Steel

**\*Important:** The spray paint is not to be used where the paint may make contact with the door gaskets.

FOR ORDERING INFORMATION REFER TO PARTS PRICE LIST

## Free Manuals Download Website

<http://myh66.com>

<http://usermanuals.us>

<http://www.somanuals.com>

<http://www.4manuals.cc>

<http://www.manual-lib.com>

<http://www.404manual.com>

<http://www.luxmanual.com>

<http://aubethermostatmanual.com>

Golf course search by state

<http://golfingnear.com>

Email search by domain

<http://emailbydomain.com>

Auto manuals search

<http://auto.somanuals.com>

TV manuals search

<http://tv.somanuals.com>