

## REFRIGERATOR USER INSTRUCTIONS

THANK YOU for purchasing this high-quality product. If you should experience a problem not covered in TROUBLESHOOTING, please visit our website at [www.kitchenaid.com](http://www.kitchenaid.com) for additional information. If you still need assistance, call us at 1-800-422-1230. In Canada, visit our website at [www.kitchenaid.ca](http://www.kitchenaid.ca) or call us at 1-800-807-6777.

You will need your model and serial number located on the right-hand side of the refrigerator interior.

Para obtener acceso a “Instrucciones para el usuario del refrigerador” en español, o para obtener información adicional acerca de su producto, visite: [www.kitchenaid.com](http://www.kitchenaid.com).

Tenga listo su número de modelo completo. Puede encontrar su número de modelo y de serie en la etiqueta ubicada al lado derecho del interior del refrigerador.

### Table of Contents / Table des matières

REFRIGERATOR SAFETY.....	1	SÉCURITÉ DU RÉFRIGÉRATEUR.....	18
INSTALLATION INSTRUCTIONS.....	2	INSTRUCTIONS D'INSTALLATION.....	19
REFRIGERATOR USE.....	7	UTILISATION DU RÉFRIGÉRATEUR.....	24
REFRIGERATOR CARE.....	11	ENTRETIEN DU RÉFRIGÉRATEUR.....	29
TROUBLESHOOTING.....	12	DÉPANNAGE.....	30
ACCESSORIES.....	15	ACCESSOIRES.....	33
WATER FILTER CERTIFICATIONS.....	15	FEUILLES DE DONNÉES SUR LE PRODUIT.....	34
PRODUCT DATA SHEETS.....	16	GARANTIE.....	35
WARRANTY.....	17		

## REFRIGERATOR SAFETY

### Your safety and the safety of others are very important.

We have provided many important safety messages in this manual and on your appliance. Always read and obey all safety messages.



This is the safety alert symbol.

This symbol alerts you to potential hazards that can kill or hurt you and others.

All safety messages will follow the safety alert symbol and either the word “DANGER” or “WARNING.”

These words mean:

**⚠ DANGER**

You can be killed or seriously injured if you don't immediately follow instructions.

**⚠ WARNING**

You can be killed or seriously injured if you don't follow instructions.

All safety messages will tell you what the potential hazard is, tell you how to reduce the chance of injury, and tell you what can happen if the instructions are not followed.

## IMPORTANT SAFETY INSTRUCTIONS

**WARNING:** To reduce the risk of fire, electric shock, or injury when using your refrigerator, follow these basic precautions:

- Plug into a grounded 3 prong outlet.
- Do not remove ground prong.
- Do not use an adapter.
- Do not use an extension cord.
- Disconnect power before servicing.
- Replace all parts and panels before operating.
- Remove doors from your old refrigerator.
- Use nonflammable cleaner.
- Keep flammable materials and vapors, such as gasoline, away from refrigerator.
- Use two or more people to move and install refrigerator.
- Disconnect power before installing ice maker (on ice maker kit ready models only).
- Use a sturdy glass when dispensing ice (on some models).

## SAVE THESE INSTRUCTIONS

### Proper Disposal of Your Old Refrigerator

#### **! WARNING**

##### Suffocation Hazard

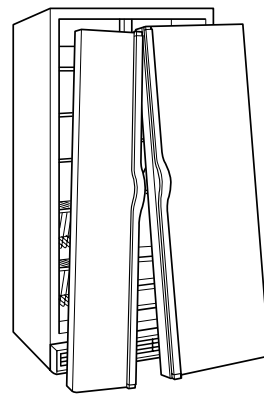
Remove doors from your old refrigerator.

Failure to do so can result in death or brain damage.

**IMPORTANT:** Child entrapment and suffocation are not problems of the past. Junked or abandoned refrigerators are still dangerous – even if they will sit for “just a few days.” If you are getting rid of your old refrigerator, please follow these instructions to help prevent accidents.

### Before You Throw Away Your Old Refrigerator or Freezer:

- Take off the doors.
- Leave the shelves in place so that children may not easily climb inside.



## INSTALLATION INSTRUCTIONS

### Unpack the Refrigerator

#### **! WARNING**

##### Excessive Weight Hazard

Use two or more people to move and install refrigerator.

Failure to do so can result in back or other injury.

- If the ice storage bin is located on the door, remove the temporary shield from underneath the ice storage bin. See “Ice Maker and Storage Bin.”
- Remove packaging materials. Do not use sharp instruments, rubbing alcohol, flammable fluids, or abrasive cleaners to remove tape or glue. These products can damage the surface of your refrigerator. For more information, see “Refrigerator Safety.”

#### When Moving Your Refrigerator:

Your refrigerator is heavy. When moving the refrigerator for cleaning or service, be sure to protect the floor. Always pull the refrigerator straight out when moving it. Do not wiggle or “walk” the refrigerator when trying to move it, as floor damage could occur.

#### Important information to know about glass shelves and covers:

Do not clean glass shelves or covers with warm water when they are cold. Shelves and covers may break if exposed to sudden temperature changes or impact, such as bumping. For your protection, tempered glass is designed to shatter into many small, pebble-size pieces. This is normal. Glass shelves and covers are heavy. Use special care when removing them to avoid impact from dropping.

## Location Requirements

### **⚠ WARNING**

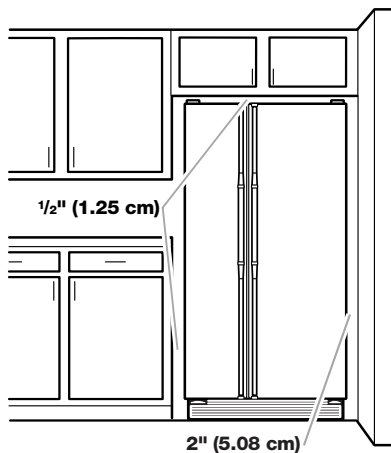


#### Explosion Hazard

Keep flammable materials and vapors, such as gasoline, away from refrigerator.

Failure to do so can result in death, explosion, or fire.

To ensure proper ventilation for your refrigerator, allow for ½" (1.25 cm) space on each side and at the top. When installing your refrigerator next to a fixed wall, leave 2" (5.08 cm) minimum on each side (depending on your model) to allow for the door to swing open. If your refrigerator has an ice maker, allow extra space at the back for the water line connections.



#### NOTES:

- It is recommended that you do not install the refrigerator near an oven, radiator, or other heat source. Do not install in a location where the temperature will fall below 55°F (13°C).
- Normal minimum cabinet cut-out width required for product installation is 36" (91.44 cm). However, if the product is placed against an extended wall and the ability to remove the crisper pans is desired, an additional 18" (45.72 cm) of cabinet width is required, so a total cabinet opening width of 54" (137.16 cm) is recommended.

## Electrical Requirements

### **⚠ WARNING**



#### Electrical Shock Hazard

Plug into a grounded 3 prong outlet.

Do not remove ground prong.

Do not use an adapter.

Do not use an extension cord.

Failure to follow these instructions can result in death, fire, or electrical shock.

Before you move your refrigerator into its final location, it is important to make sure you have the proper electrical connection.

#### Recommended Grounding Method

A 115 Volt, 60 Hz., AC only, 15- or 20-amp fused, grounded electrical supply is required. It is recommended that a separate circuit serving only your refrigerator be provided. Use an outlet that cannot be turned off by a switch. Do not use an extension cord.

**NOTE:** Before performing any type of installation, cleaning, or removing a light bulb, turn the control (Thermostat, Refrigerator or Freezer Control depending on the model) to OFF and then disconnect the refrigerator from the electrical source. When you are finished, reconnect the refrigerator to the electrical source and reset the control (Thermostat, Refrigerator or Freezer Control depending on the model) to the desired setting. See "Using the Controls."

## Water Supply Requirements

Gather the required tools and parts before starting installation. Read and follow the instructions provided with any tools listed here.

#### TOOLS NEEDED:

- Flat-blade screwdriver
- ¼" Nut driver
- ⅞" and ½" Open-end or two adjustable wrenches
- ¼" Drill bit
- Cordless drill

**NOTE:** Your refrigerator dealer has a kit available with a ¼" (6.35 mm) saddle-type shutoff valve, a union, and copper tubing. Before purchasing, make sure a saddle-type valve complies with your local plumbing codes. Do not use a piercing-type or ⅜" (4.76 mm) saddle valve which reduces water flow and clogs more easily.

#### IMPORTANT:

- All installations must meet local plumbing code requirements.
- Use copper tubing and check for leaks. Install copper tubing only in areas where the household temperatures will remain above freezing.

## Water Pressure

A cold water supply with water pressure of between 30 and 120 psi (207 and 827 kPa) is required to operate the water dispenser and ice maker. If you have questions about your water pressure, call a licensed, qualified plumber.

### Reverse Osmosis Water Supply

**IMPORTANT:** The pressure of the water supply coming out of a reverse osmosis system going to the water inlet valve of the refrigerator needs to be between 30 and 120 psi (207 and 827 kPa).

If a reverse osmosis water filtration system is connected to your cold water supply, the water pressure to the reverse osmosis system needs to be a minimum of 40 to 60 psi (276 to 414 kPa).

If the water pressure to the reverse osmosis system is less than 40 to 60 psi (276 to 414 kPa):

- Check to see whether the sediment filter in the reverse osmosis system is blocked. Replace the filter if necessary.
- Allow the storage tank on the reverse osmosis system to refill after heavy usage.
- If your refrigerator has a water filter, it may further reduce the water pressure when used in conjunction with a reverse osmosis system. Remove the water filter. See "Water Filtration System."

If you have questions about your water pressure, call a licensed, qualified plumber.

## Connect Water Supply

Read all directions before you begin.

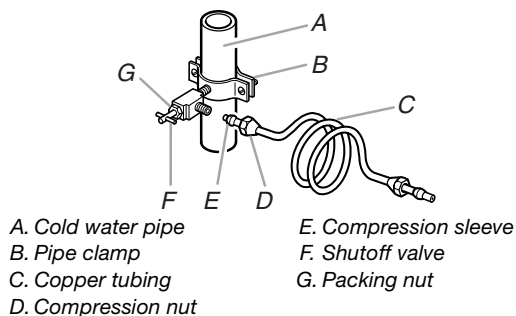
**IMPORTANT:** If you turn the refrigerator on before the water line is connected, turn the ice maker OFF.

### Connect to Water Line

1. Unplug refrigerator or disconnect power.
2. Turn OFF main water supply. Turn ON nearest faucet long enough to clear line of water.
3. Locate a 1/2" (12.70 mm) to 1 1/4" (3.18 cm) vertical cold water pipe near the refrigerator.

#### IMPORTANT:

- Make sure it is a cold water pipe.
  - Horizontal pipe will work, but drill on the top side of the pipe, not the bottom. This will help keep water away from the drill and normal sediment from collecting in the valve.
4. Determine the length of copper tubing you need. Measure from the connection on the lower rear corner of refrigerator to the water pipe. Add 7 ft (2.1 m) to allow for cleaning. Use 1/4" (6.35 mm) O.D. (outside diameter) copper tubing. Be sure both ends of copper tubing are cut square.
  5. Using a cordless drill, drill a 1/4" (6.35 mm) hole in the cold water pipe you have selected.

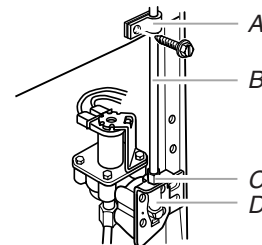


6. Fasten the shutoff valve to the cold water pipe with the pipe clamp. Be sure the outlet end is solidly in the 1/4" (6.35 mm) drilled hole in the water pipe and that the washer is under the pipe clamp. Tighten the packing nut. Tighten the pipe clamp screws slowly and evenly so the washer makes a watertight seal. Do not overtighten or you may crush the copper tubing.
7. Slip the compression sleeve and compression nut on the copper tubing as shown. Insert the end of the tubing into the outlet end squarely as far as it will go. Screw the compression nut onto outlet end with adjustable wrench. Do not overtighten.
8. Place the free end of the tubing in a container or sink, and turn ON the main water supply. Flush the tubing until water is clear. Turn OFF the shutoff valve on the water pipe. Coil the copper tubing.

### Connect to Refrigerator

#### Style 1

1. Unplug refrigerator or disconnect power.
2. Attach the copper tube to the valve inlet using a compression nut and sleeve as shown. Tighten the compression nut. Do not overtighten.
3. Use the tube clamp on the back of the refrigerator to secure the tubing to the refrigerator as shown. This will help avoid damage to the tubing when the refrigerator is pushed back against the wall.
4. Turn shutoff valve ON.
5. Check for leaks. Tighten any connections (including connections at the valve) or nuts that leak.

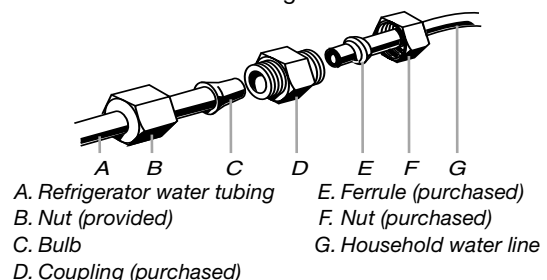


6. The ice maker is equipped with a built-in water strainer. If your water conditions require a second water strainer, install it in the 1/4" (6.35 mm) water line at either tube connection. Obtain a water strainer from your nearest appliance dealer.

#### Style 2

1. Unplug refrigerator or disconnect power.
2. Remove and discard the black nylon plug from the gray water tube on the rear of the refrigerator.
3. If the gray water tube supplied with the refrigerator is not long enough, a 1/4" x 1/4" (6.35 mm x 6.35 mm) coupling is needed in order to connect the water tubing to an existing household water line. Thread the provided nut onto the coupling on the end of the copper tubing.

**NOTE:** Tighten the nut by hand. Then tighten it with a wrench two more turns. Do not overtighten.

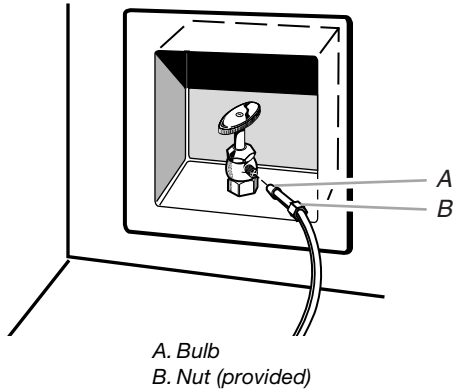


4. Turn shutoff valve ON.
5. Check for leaks. Tighten any nuts or connections (including connections at the valve) that leak.

### Style 3

1. Unplug refrigerator or disconnect power.
2. Remove and discard the black nylon plug from the gray water tube on the rear of the refrigerator.
3. Thread the provided nut onto the water valve as shown.

**NOTE:** Tighten the nut by hand. Then tighten it with a wrench two more turns. Do not overtighten.



4. Turn shutoff valve ON.
5. Check for leaks. Tighten any nuts or connections (including connections at the valve) that leak.

### Complete the Installation

## ⚠ WARNING



### Electrical Shock Hazard

**Plug into a grounded 3 prong outlet.**

**Do not remove ground prong.**

**Do not use an adapter.**

**Do not use an extension cord.**

**Failure to follow these instructions can result in death, fire, or electrical shock.**

1. Plug into a grounded 3 prong outlet.
2. Flush the water system. See "Prepare the Water System" or "Water and Ice Dispensers."

**NOTE:** Allow 24 hours to produce the first batch of ice. Allow 3 days to completely fill ice container.

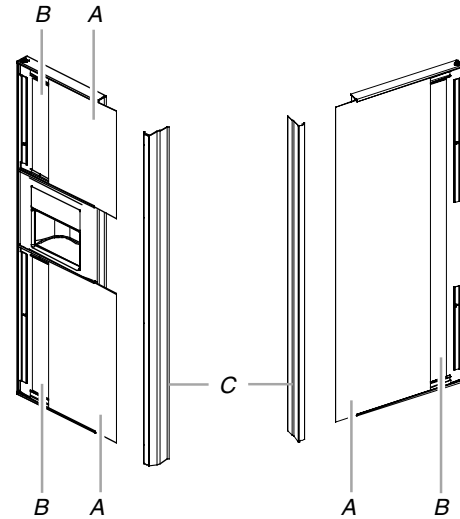
## Factory Trim Kit

(on some models)

There may be an occasion when you will need to remove the factory-installed trim kit, such as moving the refrigerator to a new home or installing custom-made decorator panels. Please read all instructions before removing the trim kit and decorator panels.

### Freezer Door

### Refrigerator Door



A. Decorator panels  
B. Filler boards  
C. Handles

### Remove the Door Panels

**NOTE:** When removing and replacing decorator panels, only the handle is removed. All other trim pieces remain attached to the doors.

1. Remove the refrigerator and freezer handles:
  - Using a Phillips screwdriver, remove the screws that hold each handle in place.
  - Lift off handle. Make sure you keep screws for reattaching handles.
2. Remove the door panels:
  - Open refrigerator or freezer door.
  - Slide out decorator panel and filler board.
  - Repeat process for other panels and filler boards.
  - Store panel and filler boards to prevent scratching.

### Replace the Door Panels

1. Replace the refrigerator or freezer door panels:
  - Open refrigerator or freezer door.
  - Slide the 1/8" (3.18 mm) decorator panel into place behind the side trim.
  - Push the filler board into place behind the decorator panel.
  - Repeat process for other panels and filler boards.

2. Attach the handles:

**NOTE:** Freezer door handle is notched to fit around the dispenser panel.

- Align the top of the refrigerator or freezer handle flush with the top trim. Fasten the handle to the refrigerator or freezer door with the screws, using a Phillips screwdriver.
- Repeat the process for the other handle.

**Care for Decorator Panels**

- Clean panels with an anti-static cleaner (available in electronics or computer departments) or mild soap and water with a clean, soft, damp cloth.
- Rinse panels thoroughly and blot dry using a dry, soft cloth or chamois.
 

**NOTE:** Do not use paper towels or cleaners which contain solvents such as ammonia. They can damage the surface of the panels.
- If small scratches should appear on the panels, they may be filled using an automotive paste wax (not a cleaner/wax combination). Apply wax sparingly and buff lightly with a clean, soft cloth using a circular motion.

**Install Custom Wood Panels**

If you plan to install custom wood decorator panels, you will need to create the panels yourself or consult your cabinetmaker or carpenter. See dimension drawings for wood panel inserts.

**Flat panels:**

You can create a custom flat panel a maximum of 1/4" (6.35 mm) thick to replace your decorator panels. Flat wood panels less than 1/4" (6.35 mm) thick are not recommended.

**Raised panels:**

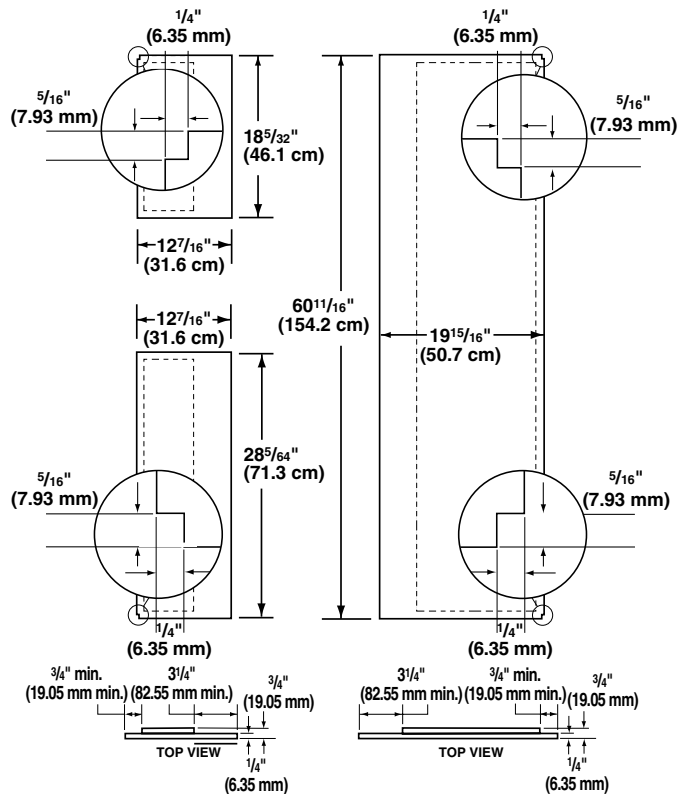
A raised panel design can be created by screwing or gluing wood panels to 1/4" (6.35 mm) backing or by using 3/4" (19.05 mm) stock with routed edges.

**Weight requirements for raised panel inserts:**

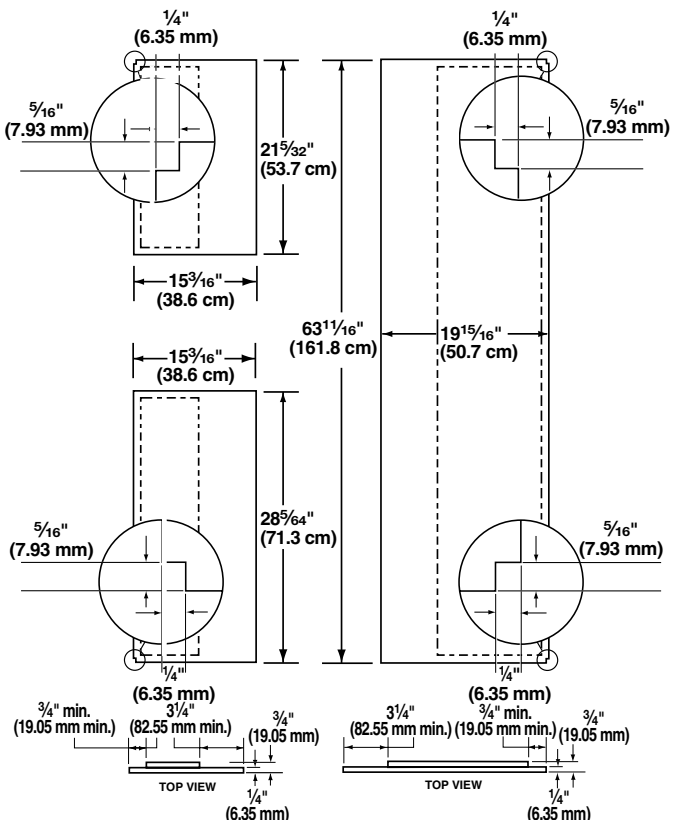
- Refrigerator door panel should not exceed 25 lbs (9.98 kg).
- Freezer door panels should not exceed 18 lbs (6.80 kg) combined weight.

**Dimensions for Custom Wood Panels**

**22 cu. ft Freezer and Refrigerator Door**

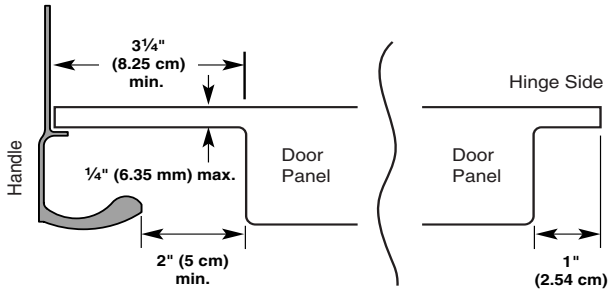


**25 cu. ft Freezer and Refrigerator Door**



## Dimensions for Routing Handle Sides of Door Panels (End View)

Rout entire areas of handle side of panels 3/4" (8.25 cm).



# REFRIGERATOR USE

## Using the Controls

For your convenience, your refrigerator controls are preset at the factory. When you first install your refrigerator, make sure that the controls are still preset. The Refrigerator Control and the Freezer Control should both be set to the "mid-settings."

Your model may have Slide Controls, Electronic Controls or Digital Controls.

### IMPORTANT (All Controls):

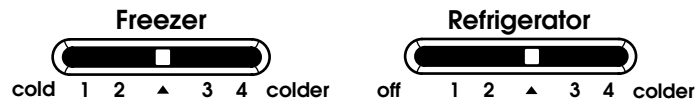
- The Refrigerator Control adjusts the refrigerator compartment temperature. The Freezer Control adjusts the freezer compartment temperature.
- Wait 24 hours before you put food into the refrigerator. If you add food before the refrigerator has cooled completely, your food may spoil.

**NOTE:** Adjusting the Refrigerator and Freezer Controls to a higher (colder) than recommended setting will not cool the compartments any faster.

- If the temperature is too warm or too cold in the refrigerator or freezer, first check the air vents to be sure they are not blocked before adjusting the controls.
- The preset settings should be correct for normal household usage. The controls are set correctly when milk or juice is as cold as you like and when ice cream is firm.
- Wait at least 24 hours between adjustments. Recheck the temperatures before other adjustments are made.

### Slide Controls (on some models)

#### Style 1



#### Style 2



### IMPORTANT:

- For **Style 1**, your product will not cool when the Refrigerator control is set to OFF. For **Style 2**, your product will not cool when the Freezer Control is set to OFF.
- The Automatic Exterior Moisture control continuously guards against moisture buildup on the outside of your refrigerator cabinet. This control does not have to be set or adjusted.

### Adjusting Slide Controls

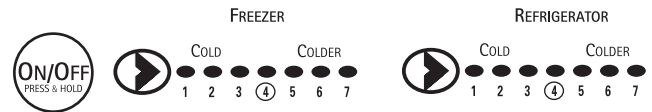
Settings to the left of the mid-setting make the temperature less cold. Settings to the right of the mid-setting make the temperature colder.

- Slide the FREEZER or REFRIGERATOR control one setting to the right or left depending on the needed temperature change.

**NOTE:** For **Style 1**, after adjusting the refrigerator temperature, wait 24 hours and then recheck the FREEZER temperature before making additional adjustments.

CONDITION:	SETTING ADJUSTMENT:
REFRIGERATOR too cold	REFRIGERATOR Control one setting lower
REFRIGERATOR too warm	REFRIGERATOR Control one setting higher
FREEZER too cold	FREEZER Control one setting lower
FREEZER too warm/too little ice	FREEZER Control one setting higher

### Electronic Controls (on some models)

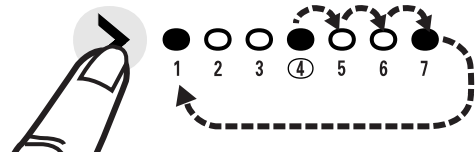


To turn the refrigerator on, press and hold ON/OFF for 2 seconds. The indicator lights show the current temperature control settings.

### Adjusting Electronic Controls

Settings to the left of the mid-setting make the temperature less cold. Settings to the right of the mid-setting make the temperature colder.

- Press the FREEZER or REFRIGERATOR arrow to move the indicator light to the right, one setting at a time. Continue moving the indicator light until it is at the desired setting.



**NOTE:** With each press of the arrow, you will hear a beep as the light moves to the next setting. The indicator light moves to a setting of "7" and then returns to the setting of "1."

CONDITION:	SETTING ADJUSTMENT:
REFRIGERATOR too cold	REFRIGERATOR Control one setting lower
REFRIGERATOR too warm	REFRIGERATOR Control one setting higher
FREEZER too cold	FREEZER Control one setting lower
FREEZER too warm/too little ice	FREEZER Control one setting higher

### Accelerated Ice Production

This feature assists with temporary periods of heavy ice usage by increasing ice production over a 24-hour period.

- Press ICE touch pad to set the freezer temperature to -10°F (-23°C). The Accelerated Ice setting will remain on for 24 hours unless manually turned off. The display will continue to show your normal temperature set point.



**NOTE:** If increased ice production is desired at all times, set the Freezer Control to a colder setting. Adjusting the freezer to a colder temperature may make some foods, such as ice cream, harder.

### Digital Controls (on some models)



To turn the refrigerator on, press and hold POWER (ON/OFF) for 2 seconds. The factory recommended set points are 0°F (-18°C) for the freezer and 37°F (3°C) for the refrigerator.

#### NOTES:

- To view Celsius temperatures, press the °C SELECT pad. The indicator will light up. To return the display setting to Fahrenheit, press the °C SELECT pad again.
- If the freezer temperature is below zero, the negative sign next to the freezer display will light up.

### Adjusting Digital Controls

The set point range for the freezer is -5°F to 5°F (-21°C to -15°C). The set point range for the refrigerator is 33°F to 41°F (1°C to 5°C).

- To adjust the set point temperatures, press the refrigerator or freezer PLUS (+) or MINUS (-) pad until the desired temperature is reached.

CONDITION:	TEMPERATURE ADJUSTMENT:
REFRIGERATOR too cold	REFRIGERATOR Control 1° higher
REFRIGERATOR too warm	REFRIGERATOR Control 1° lower
FREEZER too cold	FREEZER Control 1° higher
FREEZER too warm/too little ice	FREEZER Control 1° lower

### Max Cool

The Max Cool feature assists with periods of heavy ice usage, full grocery loads, or temporarily warm room temperatures.

- Press MAX COOL pad to turn on the Max Cool feature. The Max Cool indicator light will remain on for 24 hours unless manually turned off.

**NOTE:** The temperature display will not change. After 24 hours, the refrigerator returns to the previous temperature set points.

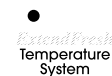
### Accelerated Ice Production (on some models)

This feature assists with temporary periods of heavy ice use by increasing ice production over a 24-hour period.

- Press OPTIMICE® feature touch pad to turn on the OptimIce® feature. The OptimIce® setting will remain on for 24 hours unless manually turned off.
- If increased ice production is desired at all times, set the Freezer Control to a colder number. Setting the freezer to a colder temperature may make some foods, such as ice cream, harder.

### Temperature System

The Temperature System feature lets you know the compressor or evaporator fan is running. It is normal for this indicator light to be on.



### Convertible Drawer Temperature Control

The control can be adjusted to properly chill meats or vegetables. The air inside the pan is cooled to avoid “spot” freezing and can be set to keep meats at the National Livestock and Meat Board recommended storage temperatures of 28° to 32°F (-2° to 0°C). The convertible vegetable/meat drawer control comes preset at the lowest meat setting.

#### To store meat:

Set the control to one of the three MEAT settings to store meat at its optimal storage temperature.

#### To store vegetables:

Set the control to VEG to store vegetables at their optimal storage temperatures.

**NOTE:** If food starts to freeze, move the control to the left (less cold). Remember to wait 24 hours between adjustments.



---

## Crisper Humidity Control

(on some models)

You can control the amount of humidity in the moisture-sealed crisper. Adjust the control to any setting between LOW and HIGH.

**LOW** (open) for best storage of fruits and vegetables with skins.

**HIGH** (closed) for best storage of fresh, leafy vegetables.

---

## Chilled Door Bin

(on some models)

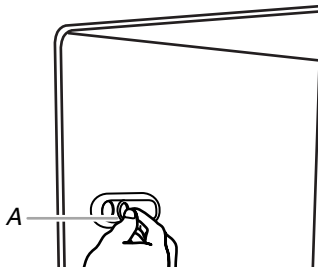
Cool air from the freezer is directed to the refrigerator door bin directly beneath the vents.

**NOTE:** The dairy compartment and can rack are not associated with the Chilled Door Bin feature.

---

### Chilled Door Bin Control

The chilled door bin control is located on the left-hand side of the refrigerator compartment.



A. Chilled door bin control

- Slide the door chill control to the left to reduce the flow of cold air to the bin and make it less cold.
  - Slide the door chill control to the right to increase the flow of cold air to the bin and make it colder.
- 

## Water and Ice Dispensers

(on some models)

Depending on your model, you may have one or more of the following options: the ability to select either crushed or cubed ice, a special light that turns on when you use the dispenser, a special AUTO mode, or a lock option to avoid unintentional dispensing.

### NOTES:

- The dispensing system will not operate when the freezer door is open.
  - After connecting the refrigerator to a water source, flush the water system. Use a sturdy container to depress and hold the water dispenser lever for 5 seconds, then release it for 5 seconds. Repeat until water begins to flow. Once water begins to flow, continue depressing and releasing the dispenser lever (5 seconds on, 5 seconds off) for an additional 2 minutes. This will flush air from the filter and water dispensing system. Additional flushing may be required in some households. As air is cleared from the system, water may spurt out of the dispenser.
  - Allow 24 hours for the refrigerator to cool down and chill water.
  - Allow 24 hours to produce the first batch of ice. Discard the first three batches of ice produced.
- 

---

## The Water Dispenser

**IMPORTANT:** Dispense enough water every week to maintain a fresh supply.

### To Dispense Water:

1. Press a sturdy glass against the water dispenser lever.
  2. Remove the glass to stop dispensing.
- 

## The Ice Dispenser

Ice dispenses from the ice maker storage bin in the freezer. The dispensing system will not operate when the freezer door is open. To turn off the ice maker, see "Ice Maker & Storage Bin."

Some models dispense both cubed and crushed ice. Before dispensing ice, select which type of ice you prefer.

For crushed ice, cubes are crushed before they are dispensed. This may cause a slight delay when dispensing crushed ice. Noise from the ice crusher is normal, and pieces of ice may vary in size. When changing from crushed to cubed, a few ounces of crushed ice will be dispensed along with the first cubes.

### To Dispense Ice:

1. If the ice storage bin is located on the door, remove the temporary shield from underneath the ice storage bin. See "Ice Maker and Storage Bin."
  2. Press button for the desired type of ice.
- 

## ⚠ WARNING



### Cut Hazard

Use a sturdy glass when dispensing ice.

Failure to do so can result in cuts.

---

3. Press a sturdy glass against the ice dispenser lever. Hold the glass close to the dispenser opening so ice does not fall outside of the glass.

**IMPORTANT:** You do not need to apply a lot of pressure to the lever in order to activate the ice dispenser. Pressing hard will not make the ice dispense faster or in greater quantities.

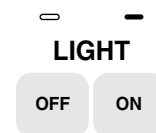
4. Remove the glass to stop dispensing.
- 

## The Dispenser Light

### Style 1

The dispenser area has a light. It can be turned on manually by pressing the ON button (touch pad or rocker switch).

On some models: Whenever you use the dispenser the lever will automatically turn the light on.



## Style 2

When you use the dispenser, the lever will automatically turn the light on. If you want the light to be on continuously, you may choose either ON or AUTO.



**ON:** Press the LIGHT button to turn the dispenser light on.

**AUTO:** Press the LIGHT button a second time to select the AUTO mode. The dispenser light will automatically adjust to become brighter as the room brightens, dimmer as the room darkens.

**OFF:** Press the LIGHT button a third time to turn the dispenser light off.

The dispenser lights are LEDs which should not need to be changed. If it appears that your dispenser lights are not working, check to be sure that the light sensor is not blocked (in AUTO mode). See "Troubleshooting" for more information.



---

### The Dispenser Lock (on some models)

---

The dispenser can be locked for easy cleaning or to avoid unintentional dispensing by small children and pets.

**NOTE:** The lock feature does not shut off power to the refrigerator, to the ice maker, or to the dispenser light. It simply deactivates the dispenser levers.

#### Style 1

To turn off the dispenser, press the LOCK button until the indicator appears. The ice and water dispensers will not work. To unlock the dispenser, press the UNLOCK button until the indicator appears. Then continue to dispense ice or water as usual.

#### Style 2

To turn off the dispenser, press and hold the LOCK OUT button until the indicator appears. The ice and water dispensers will not work. To unlock the dispenser, press the LOCK OUT button until the indicator disappears. Then continue to dispense ice or water as usual.

---

## Ice Maker and Storage Bin

---

### Turning the Ice Maker On/Off

---

#### Style 1

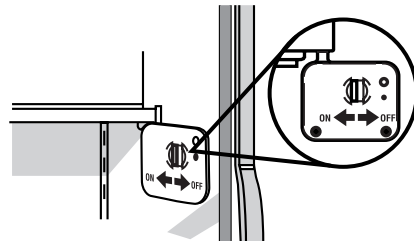
To turn ON the ice maker, simply lower the wire shutoff arm.

To manually turn off the ice maker, lift the wire shutoff arm to the OFF (arm up) position and listen for the click.

**NOTE:** Your ice maker has an automatic shutoff. As ice is made, the ice cubes will fill the ice storage bin, and the ice cubes will raise the wire shutoff arm to the OFF (arm up) position. Do not force the wire shutoff arm up or down.

## Style 2

The On/Off switch is located on the top right-hand side of the freezer compartment.



To turn on the ice maker, slide the control to the ON (left) position.

To manually turn off the ice maker, slide the control to the OFF (right) position.

**NOTE:** Your ice maker has an automatic shutoff. The ice maker sensors will automatically stop ice production, but the control will remain in the ON (left) position.

#### REMEMBER:

- Allow 24 hours to produce the first batch of ice. Discard the first three batches of ice produced.
- The quality of your ice will be only as good as the quality of the water supplied to your ice maker. Avoid connecting the ice maker to a softened water supply. Water softener chemicals (such as salt) can damage parts of the ice maker and lead to poor quality ice. If a softened water supply cannot be avoided, make sure the water softener is operating properly and is well maintained.
- Do not use anything sharp to break up the ice in the storage bin. This can cause damage to the ice container and the dispenser mechanism.
- Do not store anything on top of or in the ice maker or storage bin.

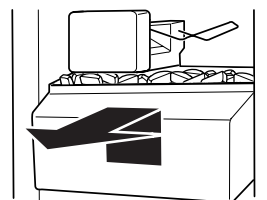
---

### Removing and Replacing Ice Storage Bin

---

#### Style 1

1. Pull the covering panel up from the bottom and then slide it back toward the rear.
2. Lift the wire shutoff arm so it clicks into the OFF (up) position. Ice can still be dispensed, but no more can be made.
3. Lift up the front of the storage bin and pull it out.



4. Replace the bin by pushing it in all the way or the dispenser will not work. Push the wire shutoff arm down to the ON position to restart ice production. Make sure the door is closed tightly.

## Style 2

1. Hold the base of the storage bin with both hands and press the release button to lift the storage bin up and out.  
**NOTE:** It is not necessary to turn the ice maker control to the OFF (right) position when removing the storage bin. The sensor cover (“flipper door”) on the left wall of the freezer stops the ice maker from producing ice if the door is open or the storage bin is removed.
2. Replace the storage bin on the door and push down to make sure it is securely in place.



## Water Filtration System

Do not use with water that is microbiologically unsafe or of unknown quality without adequate disinfection before or after the system.

### Water Filter Status Light (on some models)

The water filter status light will help you know when to change your water filter. The light will change from green to yellow. This tells you that it is almost time to change the filter. It is

recommended that you replace the water filter when the status light changes to red OR water flow to your water dispenser or ice maker decreases noticeably. The filter should be replaced at least every 6 months depending on your water quality and usage.

After changing the water filter, reset the water filter status light.

### Style 1

Press the light switch 5 times within 10 seconds. The status light will change from red to green.

### Style 2

Press and hold the water filter reset button until the status light turns green. Your reset button may be located on the water dispenser or on the control panel in the refrigerator compartment.

### Non-Indicator Water Filter (on some models)

If your refrigerator does not have the water filter status light, you should change the water filter cartridge at least every 6 months depending on your water quality and usage. If the water flow to the water dispenser or ice maker decreases noticeably before 6 months have passed, replace the water filter more often.

### Using the Dispenser Without the Water Filter

You can run the dispenser without a water filter. Your water will not be filtered.

1. Remove the water filter.
2. Slide the cap off the end of the filter and replace the cap in the base grille.

**IMPORTANT:** Do not discard the cap. It is part of your refrigerator. Keep the cap to use with the replacement filter.

# REFRIGERATOR CARE

## Cleaning

### ⚠ WARNING



#### Explosion Hazard

Use nonflammable cleaner.

Failure to do so can result in death, explosion, or fire.

Both the refrigerator and freezer sections defrost automatically. However, clean both sections about once a month to avoid buildup of odors. Wipe up spills immediately.

**IMPORTANT:** Because air circulates between both sections, any odors formed in one section will transfer to the other. You must thoroughly clean both sections to eliminate odors. To avoid odor transfer and drying out of food, wrap or cover foods tightly.

### To Clean Your Refrigerator:

**NOTE:** Do not use abrasive or harsh cleaners such as window sprays, scouring cleansers, flammable fluids, cleaning waxes, concentrated detergents, bleaches or cleansers containing petroleum products on plastic parts, interior and door liners or gaskets. Do not use paper towels, scouring pads, or other harsh cleaning tools.

1. Unplug refrigerator or disconnect power.
2. Hand wash, rinse, and dry removable parts and interior surfaces thoroughly. Use a clean sponge or soft cloth and a mild detergent in warm water.
3. Wash stainless steel and painted metal exteriors with a clean sponge or soft cloth and a mild detergent in warm water.
4. There is no need for routine condenser cleaning in normal home operating environments. If the environment is particularly greasy or dusty, or there is significant pet traffic in the home, the condenser should be cleaned every 2 to 3 months to ensure maximum efficiency.

If you need to clean the condenser:

- Remove the base grille.
  - Use a vacuum cleaner with a soft brush to clean the grille, the open areas behind the grille and the front surface area of the condenser.
  - Replace the base grille when finished.
5. Plug in refrigerator or reconnect power.

---

## Changing the Light Bulbs

**NOTE:** Not all bulbs will fit your refrigerator. Be sure to replace the bulb with one of the same size, shape and wattage. On some models, the dispenser light requires a heavy duty 10-watt bulb. All other lights require a 40-watt bulb. Replacement bulbs are available from your dealer.

1. Unplug refrigerator or disconnect power.
2. Remove light shield when applicable.

**NOTE:** To clean the light shield, wash it with warm water and liquid detergent. Rinse and dry the shield well.

3. Remove light bulb and replace with one of the same size, shape and wattage.
4. Replace light shield when applicable.
5. Plug in refrigerator or reconnect power.

---

# TROUBLESHOOTING

First try the solutions suggested here or visit our website and reference FAQs (Frequently Asked Questions) to possibly avoid the cost of a service call.

In the U.S.A., [www.kitchenaid.com](http://www.kitchenaid.com) In Canada, [www.kitchenaid.ca](http://www.kitchenaid.ca)

---

## Refrigerator Operation

---

### The refrigerator will not operate

---

#### **⚠ WARNING**



#### Electrical Shock Hazard

Plug into a grounded 3 prong outlet.

Do not remove ground prong.

Do not use an adapter.

Do not use an extension cord.

Failure to follow these instructions can result in death, fire, or electrical shock.

- **Power cord unplugged?** Plug into a grounded 3 prong outlet.
- **Is outlet working?** Plug in a lamp to see if the outlet is working.
- **Household fuse blown or circuit breaker tripped?** Replace the fuse or reset the circuit breaker. If the problem continues, call an electrician.
- **Are controls on?** Make sure the refrigerator controls are on. See "Using the Controls."
- **New installation?** Allow 24 hours following installation for the refrigerator to cool completely.

**NOTE:** Adjusting the temperature controls to coldest setting will not cool either compartment more quickly.

---

### The motor seems to run too much

---

Your new refrigerator may run longer than your old one due to its high-efficiency compressor and fans. The unit may run even longer if the room is warm, a large food load is added, doors are opened often, or if the doors have been left open.

---

### The refrigerator is noisy

---

Refrigerator noise has been reduced over the years. Due to this reduction, you may hear intermittent noises from your new refrigerator that you did not notice from your old model. Below are listed some normal sounds with an explanation.

- **Buzzing** - heard when the water valve opens to fill the ice maker
- **Pulsating** - fans/compressor adjusting to optimize performance
- **Rattling** - flow of refrigerant, water line, or from items placed on top of the refrigerator
- **Sizzling/Gurgling** - water dripping on the heater during defrost cycle
- **Popping** - contraction/expansion of inside walls, especially during initial cool-down
- **Water running** - may be heard when water melts during the defrost cycle and runs into the drain pan
- **Creaking/Cracking** - occurs as ice is being ejected from the ice maker mold.

---

### The doors will not close completely

---

- **Door blocked open?** Move food packages away from door.
- **Bin or shelf in the way?** Push bin or shelf back in the correct position.

---

### The doors are difficult to open

---

## **⚠ WARNING**



### Explosion Hazard

Use nonflammable cleaner.

Failure to do so can result in death, explosion, or fire.

- **Are the gaskets dirty or sticky?** Clean gaskets with mild soap and warm water.

---

### The lights do not work

---

- **Is a light bulb loose in the socket or burned out?** See “Changing the Light Bulbs.”
- **Is the dispenser light set to OFF?** The dispenser light will operate only when the levers are pressed. If you want the dispenser light to stay on continuously, set the dispenser light to ON, or NIGHT LIGHT or AUTO or HALF or DIM. See “Water and Ice Dispensers.”
- **Is the dispenser light set to NIGHT LIGHT or AUTO?** If the dispenser is set to the NIGHT LIGHT or AUTO mode, be sure the dispenser light sensor is not blocked. See “Water and Ice Dispensers.”

---

## Temperature and Moisture

---

### Temperature is too warm

---

- **New installation?** Allow 24 hours following installation for the refrigerator to cool completely.
- **Door(s) opened often or left open?** Allows warm air to enter refrigerator. Minimize door openings and keep doors fully closed.
- **Large load of food added?** Allow several hours for refrigerator to return to normal temperature.
- **Controls set correctly for the surrounding conditions?** Adjust the controls a setting colder. Check temperature in 24 hours. See “Using the Controls.”

---

### There is interior moisture buildup

---

**NOTE:** Some moisture buildup is normal.

- **Humid room?** Contributes to moisture buildup.
- **Door(s) opened often or left open?** Allows humid air to enter refrigerator. Minimize door openings and keep doors fully closed.

---

## Ice and Water

---

### The ice maker is not producing ice or not enough ice

---

- **Refrigerator connected to a water supply and the supply shutoff valve turned on?** Connect refrigerator to water supply and turn water shutoff valve fully open.
- **Kink in the water source line?** A kink in the line can reduce water flow. Straighten the water source line.
- **Ice maker turned on?** Make sure wire shutoff arm or switch (depending on model) is in the ON position.
- **New installation?** Wait 24 hours after ice maker installation for ice production to begin. Wait 72 hours for full ice production.
- **Large amount of ice recently removed?** Allow 24 hours for ice maker to produce more ice.
- **Ice cube jammed in the ice maker ejector arm?** Remove ice from the ejector arm with a plastic utensil.
- **Reverse osmosis water filtration system connected to your cold water supply?** This can decrease water pressure. See “Water Supply Requirements” in either the Installation Instruction booklet or the Use & Care Guide.

---

### The ice cubes are hollow or small

---

**NOTE:** This is an indication of low water pressure.

- **Water shutoff valve not fully open?** Turn the water shutoff valve fully open.
- **Kink in the water source line?** A kink in the line can reduce water flow. Straighten the water source line.
- **Reverse osmosis water filtration system connected to your cold water supply?** This can decrease water pressure. See “Water Supply Requirements.”
- **Questions remain regarding water pressure?** Call a licensed, qualified plumber.

---

### Off-taste, odor or gray color in the ice

---

- **New plumbing connections?** New plumbing connections can cause discolored or off-flavored ice.
- **Ice stored too long?** Discard ice. Wash ice bin. Allow 24 hours for ice maker to make new ice.
- **Odor transfer from food?** Use airtight, moisture proof packaging to store food.
- **Are there minerals (such as sulfur) in the water?** A water filter may need to be installed to remove the minerals.
- **Is there a water filter installed on the refrigerator?** Gray or dark discoloration in ice indicates that the water filtration system needs additional flushing.

---

### The ice dispenser will not operate properly

---

- If the ice storage bin is located on the door, remove the temporary shield from underneath the ice storage bin. See “Ice Maker and Storage Bin.”
- **Freezer door closed completely?** Close the door firmly. If it does not close completely, see “The doors will not close completely.”
- **Ice bin installed correctly?** Be sure the ice bin is firmly in position.
- **New installation?** Wait 24 hours after ice maker installation for ice production to begin. Wait 72 hours for full ice production.
- **Ice stuck in the delivery chute?** Use a plastic utensil to clear the delivery chute.
- **Has the wrong ice been added to the bin?** Use only cubes produced by the current ice maker.
- **Has the ice melted around the auger (metal spiral) in the ice bin?** Empty the ice container. Use warm water to melt the ice if necessary.

## **WARNING**



### Cut Hazard

**Use a sturdy glass when dispensing ice.  
Failure to do so can result in cuts.**

- **Is the ice dispenser stalling while dispensing “crushed” ice?** Change the ice button from “crushed” to “cubed.” If cubed ice dispenses correctly, depress the button for “crushed” ice and begin dispensing again.
- **Has the dispenser arm been held in too long?** Ice will stop dispensing when the arm is held in too long. Wait 3 minutes for dispenser motor to reset before using again.

---

### The water dispenser will not operate properly

---

- **Freezer door closed completely?** Close the door firmly. If it does not close completely, see “The doors will not close completely.”
- **Refrigerator connected to a water supply and the supply shutoff valve turned on?** Connect refrigerator to water supply and turn water shutoff valve fully open.
- **Is the water pressure at least 30 psi (207 kPa)?** The water pressure to the home determines the flow from the dispenser. See “Water Supply Requirements.”
- **Kink in the home water source line?** Straighten the water source line.
- **New installation?** Flush and fill the water system.
- **Water filter installed on the refrigerator?** The filter may be clogged or incorrectly installed.
- **Is a reverse osmosis water filtration system connected to your cold water supply?** See “Water Supply Requirements” in either the Installation Instructions or the Use & Care Guide.

---

### Water is leaking from the dispenser

---

**NOTE:** One or two drops of water after dispensing is normal.

- **Glass not being held under the dispenser long enough?** Hold the glass under the dispenser 2 to 3 seconds after releasing the dispenser lever.
- **New installation?** Flush the water system. See “Prepare the Water System” or “Water and Ice Dispensers.”
- **Recently changed water filter?** Flush the water system. See “Prepare the Water System” or “Water and Ice Dispensers.”

---

### The dispenser water is not cool enough

---

**NOTE:** Water from the dispenser is chilled to only 50°F (10°C).

- **New installation?** Allow 24 hours after installation for the water supply to cool completely.
- **Recently dispensed large amount of water?** Allow 24 hours for water supply to cool completely.
- **Water not been recently dispensed?** The first glass of water may not be cool. Discard the first glass of water.
- **Refrigerator connected to a cold water pipe?** Make sure the refrigerator is connected to a cold water pipe. See “Water Supply Requirements.”

# ACCESSORIES

To order replacement filters, call **1-800-442-9991** and ask for the part number listed below or contact your authorized KitchenAid dealer. In Canada, call **1-800-807-6777**.

**Stainless Steel Cleaner and Polish:**

Order Part #4396920

**Standard Base Filter Cartridge:**

Order Part #4396509 (NL240V and L400V)

# WATER FILTER CERTIFICATIONS

State of California  
Department of Health Services

Water Treatment Device  
Certificate Number

03 - 1549

Date Issued: January 21, 2003

<u>Trademark/Model Designation</u>	<u>Replacement Elements</u>	<u>Rated Capacity</u>
Whirlpool WF-NL240V	NL240V	240 gal
Whirlpool WF-L400V	L400V	400 gal

**Manufacturer:** Whirlpool Corp.

The water treatment device(s) listed on this certificate have met the testing requirements pursuant to Section 116830 of the Health and Safety Code for the following health related contaminants:

**Microbiological Contaminants and Turbidity**

None

**Inorganic/Radiological Contaminants**

Lead  
Mercury

**Organic Contaminants**

Benzene  
p-dichlorobenzene  
Toxaphene  
Carbofuran

**Rated Service Flow:** 0.5 gpm

**Do not use with water that is microbiologically unsafe or of unknown quality, without adequate disinfection before or after the system.**

# PRODUCT DATA SHEETS

## Base Grille Water Filtration System



System tested and certified by NSF International against NSF/ANSI Standard 42 for the reduction of Chlorine Taste and Odor, Particulate Class II\*; and against NSF/ANSI Standard 53 for the reduction of Lead, Mercury, Benzene, Toxaphene, p-dichlorobenzene, and Carbofuran.

This system has been tested according to NSF/ANSI Standards 42 and 53 for the reduction of the substances listed below. The concentration of the indicated substances in water entering the system was reduced to a concentration less than or equal to the permissible limit for water leaving the system, as specified in NSF/ANSI Standards 42 and 53.

### Model WF-NL240V/NL240V Capacity 240 Gallons (908 Liters)

Substance Reduction Aesthetic Effects	NSF Reduction Requirements	Average Influent	Influent Challenge Concentration	Maximum Effluent	Average Effluent	Minimum % Reduction	Average % Reduction
Chlorine Taste/Odor Particulate Class II*	≥50% ≥85%	1.94 mg/L 833,333/mL	2.0 mg/L ± 10% At least 10,000 particles/ml	0.05 mg/L 100,000/mL**	0.05 mg/L 40,667/mL	97.4% 88.0%	97.4% 95.1%
Contaminant Reduction	NSF Reduction Requirements	Average Influent	Influent Challenge Concentration	Maximum Effluent	Average Effluent	Minimum % Reduction	Average % Reduction
Lead: @ pH 6.5 Lead: @ pH 8.5	0.01 mg/L 0.01 mg/L	0.15 mg/L*** 0.148 mg/L***	0.15 mg/L ± 10% 0.15 mg/L ± 10%	0.001 mg/L 0.003 mg/L	0.001 mg/L 0.001 mg/L	99.3% 97.9%	99.3% 99.0%
Mercury: @ pH 6.5 Mercury: @ pH 8.5	0.002 mg/L 0.002 mg/L	0.006 mg/L 0.0061 mg/L	0.006 mg/L ± 10% 0.006 mg/L ± 10%	0.0002 mg/L 0.0009 mg/L	0.0002 mg/L 0.00052 mg/L	96.60% 85.2%	96.6% 91.8%
Benzene	0.005 mg/L	0.014 mg/L	0.015 ± 10%	0.0005 mg/L	0.0005 mg/L	96.06%	96.06%
p-dichlorobenzene	0.075 mg/L	0.235 mg/L	0.225 ± 10%	0.0019 mg/L	0.0009 mg/L	99.1%	99.6%
Toxaphene	0.003 mg/L	0.014 mg/L	0.015 ± 10%	0.0012 mg/L	0.001 mg/L	92.7%	92.6%
Carbofuran	0.04 mg/L	0.077 mg/L	0.080 ± 10%	0.031 mg/L	0.0064 mg/L	61.03%	91.94%

### Model WF-L400V/L400V Capacity 400 Gallons (1514 Liters)

Substance Reduction Aesthetic Effects	NSF Reduction Requirement	Average Influent	Influent Challenge Concentration	Maximum Effluent	Average Effluent	Minimum % Reduction	Average % Reduction
Chlorine Taste/Odor Particulate Class II*	≥50% ≥85%	1.94 mg/L 833,333/mL	2.0 mg/L ± 10% At least 10,000 particles/ml	0.05 mg/L 100,000/mL**	0.05 mg/L 40,667/mL	97.4% 88.0%	97.4% 95.1%
Contaminant Reduction	NSF Reduction Requirement	Average Influent	Influent Challenge Concentration	Maximum Effluent	Average Effluent	Minimum % Reduction	Average % Reduction
Lead: @ pH 6.5 Lead: @ pH 8.5	0.01 mg/L 0.01 mg/L	0.15 mg/L*** 0.148 mg/L***	0.15 mg/L ± 10% 0.15 mg/L ± 10%	0.001 mg/L 0.003 mg/L	0.001 mg/L 0.0014 mg/L	99.3% 97.9%	99.3% 99.3%
Mercury: @ pH 6.5 Mercury: @ pH 8.5	0.002 mg/L 0.002 mg/L	0.0061 mg/L 0.0061 mg/L	0.006 mg/L ± 10% 0.006 mg/L ± 10%	0.0002 mg/L 0.0009 mg/L	0.0002 mg/L 0.00052 mg/L	96.60% 85.2%	96.6% 91.8%
Benzene	0.005 mg/L	0.014 mg/L	0.015 ± 10%	0.0005 mg/L	0.0005 mg/L	96.06%	96.06%
p-dichlorobenzene	0.075 mg/L	0.235 mg/L	0.225 ± 10%	0.0019 mg/L	0.0009 mg/L	99.1%	99.6%
Toxaphene	0.003 mg/L	0.014 mg/L	0.015 ± 10%	0.0012 mg/L	0.001 mg/L	92.7%	92.6%
Carbofuran	0.04 mg/L	0.077 mg/L	0.080 ± 10%	0.031 mg/L	0.0064 mg/L	61.03%	91.94%

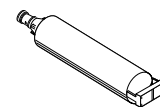
- It is essential that operational, maintenance, and filter replacement requirements be carried out for the product to perform as advertised.
- **Model WF-NL240V:** Change cartridge at least every 6 months. Use replacement cartridge NL240V, part #4396509. 2008 suggested retail price of \$35.99 U.S.A./\$59.95 Canada. Prices are subject to change without notice.
- **Model WF-L400V:** The filter monitor system measures the amount of water that passes through the filter and alerts you to replace the filter. When 90% of the filter's rated life is used, the filter indicator light changes from green to yellow. When 100% of the filter's rated life is used, the filter indicator light changes from yellow to red, and it is recommended that you replace the filter. Use replacement cartridge L400V, part #4396509. 2008 suggested retail price of \$35.99 U.S.A./\$59.95 Canada. Prices are subject to change without notice.

- The product is for cold water use only.

- Do not use with water that is microbiologically unsafe or of unknown quality without adequate disinfection before or after the system.
- Refer to the front cover or "Assistance or Service" section for the Manufacturer's name, address and telephone number.
- Refer to the "Warranty" section for the Manufacturer's limited warranty.

#### Application Guidelines/Water Supply Parameters

Water Supply	City or Well
Water Pressure	30 - 120 psi (207 - 827 kPa)
Water Temperature	33° - 100°F (0.6° - 37.8°C)
Service Flow Rate	0.5 gpm (1.9 L/min.) @ 60 psi.



\*Class II particle size: >1 to <5

\*\*Test requirement is at least 100,000 particles/mL of AC Fine Test Dust.

\*\*\*These contaminants are not necessarily in your water supply. Performance may vary based on local water conditions.

® NSF is a registered trademark of NSF International.



---

# KITCHENAID® REFRIGERATOR WARRANTY

---

## ONE YEAR LIMITED WARRANTY

For one year from the date of purchase, when this major appliance is operated and maintained according to instructions attached to or furnished with the product, KitchenAid or KitchenAid Canada (hereafter "KitchenAid") will pay for factory specified parts and repair labor to correct defects in materials or workmanship. Service must be provided by a KitchenAid designated service company.

On models with a water filter: 30 day limited warranty on water filter. For 30 days from the date of purchase, when this filter is operated and maintained according to instructions attached to or furnished with the product, KitchenAid will pay for replacement parts to correct defects in materials and workmanship.

---

## SECOND THROUGH FIFTH YEAR LIMITED WARRANTY ON CAVITY LINER AND SEALED REFRIGERATION SYSTEM PARTS

In the second through fifth years from the date of purchase, when this major appliance is operated and maintained according to instructions attached to or furnished with the product, KitchenAid will pay for replacement or repair of the refrigerator/freezer cavity liner (including labor costs) if the part cracks due to defective materials or workmanship. Also, in the second through fifth years from the date of purchase, KitchenAid will pay for factory specified parts and labor to correct defects in materials or workmanship in the sealed refrigeration system. These parts are: compressor, evaporator, condenser, dryer, and connecting tubing. Service must be provided by a KitchenAid designated service company.

---

## SIXTH THROUGH TENTH YEAR LIMITED WARRANTY ON SEALED REFRIGERATION SYSTEM PARTS

In the sixth through tenth years from date of purchase, when this major appliance is operated and maintained according to instructions attached to or furnished with the product, KitchenAid will pay for factory specified parts to correct defects in materials or workmanship in the sealed refrigeration system. These parts are: compressor, evaporator, condenser, dryer, and connecting tubing.

---

## LIFETIME LIMITED WARRANTY ON DOOR BINS AND CAN RACKS

For the life of the product, when this major appliance is operated and maintained according to instructions attached to or furnished with the product, KitchenAid will pay for replacement of all SLIDE N LOCK™ Door Bins and SLIDE N LOCK™ Can Racks due to defective materials or workmanship.

---

## ITEMS KITCHENAID WILL NOT PAY FOR

1. Service calls to correct the installation of your major appliance, to instruct you how to use your major appliance, to replace or repair house fuses or to correct house wiring or plumbing.
2. Service calls to repair or replace appliance light bulbs, air filters or water filters.
3. Repairs when your major appliance is used for other than normal, single-family household use.
4. Damage resulting from accident, alteration, misuse, abuse, fire, flood, acts of God, improper installation, installation not in accordance with electrical or plumbing codes, or use of products not approved by KitchenAid.
5. Any food loss due to refrigerator or freezer product failures.
6. Replacement parts or repair labor costs for units operated outside the United States or Canada.
7. Pickup and delivery. This major appliance is designed to be repaired in the home.
8. Repairs to parts or systems resulting from unauthorized modifications made to the appliance.
9. Expenses for travel and transportation for product service in remote locations.
10. The removal and reinstallation of your appliance if it is installed in an inaccessible location or is not installed in accordance with published installation instructions.
11. Replacement parts or repair labor costs when the major appliance is used in a country other than the country in which it was purchased.

---

## DISCLAIMER OF IMPLIED WARRANTIES; LIMITATION OF REMEDIES

CUSTOMER'S SOLE AND EXCLUSIVE REMEDY UNDER THIS LIMITED WARRANTY SHALL BE PRODUCT REPAIR AS PROVIDED HEREIN. IMPLIED WARRANTIES, INCLUDING WARRANTIES OF MERCHANTABILITY OR FITNESS FOR A PARTICULAR PURPOSE, ARE LIMITED TO ONE YEAR OR THE SHORTEST PERIOD ALLOWED BY LAW. KITCHENAID SHALL NOT BE LIABLE FOR INCIDENTAL OR CONSEQUENTIAL DAMAGES. SOME STATES AND PROVINCES DO NOT ALLOW THE EXCLUSION OR LIMITATION OF INCIDENTAL OR CONSEQUENTIAL DAMAGES, OR LIMITATIONS ON THE DURATION OF IMPLIED WARRANTIES OF MERCHANTABILITY OR FITNESS, SO THESE EXCLUSIONS OR LIMITATIONS MAY NOT APPLY TO YOU. THIS WARRANTY GIVES YOU SPECIFIC LEGAL RIGHTS AND YOU MAY ALSO HAVE OTHER RIGHTS, WHICH VARY FROM STATE TO STATE OR PROVINCE TO PROVINCE.

---

Outside the 50 United States and Canada, this warranty does not apply. Contact your authorized KitchenAid dealer to determine if another warranty applies. 5/07

---

For additional product information, in the U.S.A., visit [www.kitchenaid.com](http://www.kitchenaid.com)  
In Canada, visit [www.kitchenaid.ca](http://www.kitchenaid.ca)

If you do not have access to the Internet and you need assistance using your product or you would like to schedule service, you may contact KitchenAid at the number below.

*Have your complete model number ready. You can find your model number and serial number on the label, located on the inside wall of the refrigerator compartment.*

For assistance or service in the U.S.A., call 1-800-422-1230. In Canada, call 1-800-807-6777.

If you need further assistance, you can write to KitchenAid with any questions or concerns at the address below:

In the U.S.A.:

KitchenAid Brand Home Appliances  
Customer eXperience Center  
553 Benson Road  
Benton Harbor, MI 49022-2692

In Canada:

KitchenAid Brand Home Appliances  
Customer Interaction Centre  
1901 Minnesota Court  
Mississauga, Ontario L5N 3A7

Please include a daytime phone number in your correspondence.

Please keep this User Instructions and model number information for future reference.

## INSTRUCTIONS D'UTILISATION DU RÉFRIGÉRATEUR

Nous vous REMERCIONS d'avoir acheté ce produit de haute qualité. Si vous rencontrez un problème non mentionné dans la section DÉPANNAGE, veuillez visiter notre site Web [www.kitchenaid.com](http://www.kitchenaid.com) pour des informations supplémentaires. Si vous avez toujours besoin d'assistance, veuillez nous téléphoner au 1-800-422-1230. Au Canada, visitez notre site Web [www.kitchenaid.ca](http://www.kitchenaid.ca) ou téléphonez-nous au 1-800-807-6777.

Vous aurez besoin de vos numéros de modèle et de série situés sur le côté droit à l'intérieur du réfrigérateur.

### SÉCURITÉ DU RÉFRIGÉRATEUR

#### Votre sécurité et celle des autres est très importante.

Nous donnons de nombreux messages de sécurité importants dans ce manuel et sur votre appareil ménager. Assurez-vous de toujours lire tous les messages de sécurité et de vous y conformer.



Voici le symbole d'alerte de sécurité.

Ce symbole d'alerte de sécurité vous signale les dangers potentiels de décès et de blessures graves à vous et à d'autres.

Tous les messages de sécurité suivront le symbole d'alerte de sécurité et le mot "DANGER" ou "AVERTISSEMENT". Ces mots signifient :

**⚠ DANGER**

**Risque possible de décès ou de blessure grave si vous ne suivez pas immédiatement les instructions.**

**⚠ AVERTISSEMENT**

**Risque possible de décès ou de blessure grave si vous ne suivez pas les instructions.**

Tous les messages de sécurité vous diront quel est le danger potentiel et vous disent comment réduire le risque de blessure et ce qui peut se produire en cas de non-respect des instructions.

#### IMPORTANTES INSTRUCTIONS DE SÉCURITÉ

**AVERTISSEMENT :** Pour réduire les risques d'incendie, de choc électrique ou des blessures lors de l'utilisation du réfrigérateur, prendre quelques précautions fondamentales, y compris les suivantes :

- Brancher l'appareil sur une prise à 3 alvéoles reliée à la terre.
- Ne pas enlever la broche de liaison à la terre.
- Ne pas utiliser un adaptateur.
- Ne pas utiliser un câble de rallonge.
- Débrancher la source de courant électrique avant l'entretien.
- Replacer pièces et panneaux avant de faire la remise en marche.
- Enlever les portes de votre vieux réfrigérateur.
- Utiliser un produit de nettoyage ininflammable.
- Garder les matériaux et les vapeurs inflammables, telle que l'essence, loin du réfrigérateur.
- Utiliser deux ou plus de personnes pour déplacer et installer le réfrigérateur.
- Débrancher le réfrigérateur avant l'installation de la machine à glaçons (seulement pour modèles prêts à recevoir une machine à glaçons).
- Utiliser un verre robuste pour prendre des glaçons (sur certains modèles).

**CONSERVEZ CES INSTRUCTIONS**

## Mise au rebut de votre vieux réfrigérateur

### **⚠ AVERTISSEMENT**

#### Risque de suffoquer

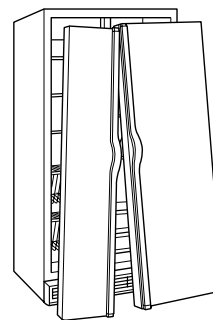
Enlever les portes de votre vieux réfrigérateur.

Le non-respect de cette instruction peut causer un décès ou des lésions cérébrales.

**IMPORTANT :** L'emprisonnement et l'étouffement des enfants ne sont pas un problème du passé. Les réfrigérateurs jetés ou abandonnés sont encore dangereux, même s'ils sont laissés abandonnés pendant "quelques jours seulement". Si vous vous débarrassez de votre vieux réfrigérateur, veuillez suivre les instructions suivantes pour aider à éviter les accidents.

## Avant de jeter votre vieux réfrigérateur ou congélateur :

- Enlever les portes.
- Laisser les tablettes en place de sorte que les enfants ne puissent pas y pénétrer facilement.



## INSTRUCTIONS D'INSTALLATION

### Déballage du réfrigérateur

### **⚠ AVERTISSEMENT**

#### Risque du poids excessif

Utiliser deux ou plus de personnes pour déplacer et installer le réfrigérateur.

Le non-respect de cette instruction peut causer une blessure au dos ou d'autre blessure.

- Si le bac d'entreposage de glaçons est situé dans la porte, retirer l'écran protecteur temporaire situé sous le bac. Voir "Machine à glaçons et bac d'entreposage".
- Retirer les matériaux d'emballage. Ne pas utiliser d'instruments coupants, d'alcool à friction, de liquides inflammables ou de nettoyants abrasifs pour enlever le ruban adhésif ou la colle. Ces produits peuvent endommager la surface de votre réfrigérateur. Pour plus de renseignements, voir "Sécurité du réfrigérateur".

#### Déplacement de votre réfrigérateur :

Votre réfrigérateur est lourd. Lors du déplacement du réfrigérateur pour le nettoyage ou le service, veiller à protéger le plancher. Toujours tirer le réfrigérateur tout droit lors du déplacement. Ne pas incliner le réfrigérateur d'un côté ou de l'autre ni le "faire marcher" en essayant de le déplacer car le plancher pourrait être endommagé.

#### Importants renseignements à savoir au sujet des tablettes et des couvercles en verre :

Ne pas nettoyer les tablettes ou couvercles en verre avec de l'eau tiède quand ils sont froids. Les tablettes et les couvercles peuvent se briser s'ils sont exposés à des changements soudains de température ou à un impact tel que coup brusque. Pour votre protection, le verre trempé est conçu pour éclater en d'innombrables pièces minuscules. Ceci est normal. Les tablettes et les couvercles en verre sont lourds. Un soin spécial s'impose lors de leur déplacement pour éviter l'impact d'une chute.

## Exigences d'emplacement

### ⚠ AVERTISSEMENT

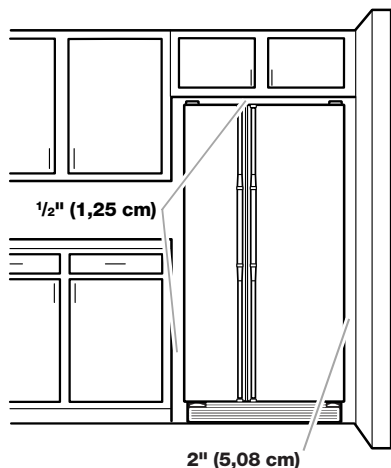


#### Risque d'explosion

Garder les matériaux et les vapeurs inflammables, telle que l'essence, loin du réfrigérateur.

Le non-respect de cette instruction peut causer un décès, une explosion ou un incendie.

Pour obtenir une aération appropriée pour votre réfrigérateur, laissez un espace de 1/2" (1,25 cm) de chaque côté et au sommet. Si vous installez votre réfrigérateur près d'un mur fixe, laissez un minimum de 2" (5,08 cm) de chaque côté (selon le modèle) pour permettre à la porte de s'ouvrir sans obstruction. Si votre réfrigérateur comporte une machine à glaçons, s'assurer qu'un espace additionnel est prévu à l'arrière pour permettre les connexions des conduits d'eau.



#### REMARQUES :

- Il est recommandé de ne pas installer le réfrigérateur près d'un four, d'un radiateur ou de toute autre source de chaleur. Ne pas installer le réfrigérateur dans un endroit où la température baissera au-dessous de 55°F (13°C).
- La largeur de la cavité d'encastrement doit être d'au moins 36" (91,44 cm) pour l'installation du produit. Cependant, si le produit est placé contre une paroi relativement longue et si on veut pouvoir retirer les poêles à croustiller, il convient d'élargir la cavité de 18" (45,72 cm). On recommande donc une cavité d'encastrement d'une largeur totale de 54" (137,16 cm).

## Spécifications électriques

### ⚠ AVERTISSEMENT



#### Risque de choc électrique

Brancher sur une prise à 3 alvéoles reliée à la terre.

Ne pas enlever la broche de liaison à la terre.

Ne pas utiliser un adaptateur.

Ne pas utiliser un câble de rallonge.

Le non-respect de ces instructions peut causer un décès, un incendie ou un choc électrique.

Avant de placer le réfrigérateur à son emplacement final, il est important de vous assurer d'avoir la connexion électrique appropriée.

#### Méthode recommandée de mise à la terre

Une source d'alimentation de 115 volts, 60 Hz, type 15 ou 20 ampères CA seulement, protégée par fusible et adéquatement mise à la terre, est nécessaire. Il est recommandé d'utiliser un circuit distinct pour alimenter uniquement votre réfrigérateur. Utiliser une prise murale qui ne peut pas être mise hors circuit à l'aide d'un commutateur. Ne pas utiliser un câble de rallonge.

**REMARQUE :** Avant d'exécuter tout type d'installation, nettoyage ou remplacement d'une ampoule d'éclairage, tourner la commande (réglage du thermostat, du réfrigérateur ou du congélateur selon le modèle) à OFF (arrêt) et déconnecter ensuite le réfrigérateur de la source d'alimentation électrique. Lorsque vous avez terminé, reconnecter le réfrigérateur à la source d'alimentation électrique et tourner de nouveau la commande (réglage du thermostat, du réfrigérateur ou du congélateur selon le modèle) au réglage désiré. Voir "Utilisation des commandes".

## Spécifications de l'alimentation en eau

Rassembler les outils et pièces nécessaires avant de commencer l'installation. Lire et suivre les instructions fournies avec les outils indiqués ici.

#### OUTILLAGE REQUIS :

- Tournevis à lame plate
- Tourne-écrou de 1/4"
- Clés plates de 7/16" et 1/2" ou deux clés à molette réglables
- Foret de 1/4"
- Perceuse sans fil

**REMARQUE :** Votre marchand de réfrigérateurs présente une trousse disponible avec un robinet d'arrêt à étrier de 1/4" (6,35 mm), un raccord et un tube en cuivre. Avant l'achat, s'assurer que le robinet d'arrêt à étrier est conforme à vos codes locaux de plomberie. Ne pas employer de robinet d'arrêt à étrier de 3/16" (4,76 mm) ou de type à percer, ce qui réduit le débit d'eau et cause une obstruction plus facilement.

#### IMPORTANT :

- Toutes les installations doivent être conformes aux exigences des codes locaux de plomberie.
- Utiliser un tube en cuivre et vérifier s'il y a des fuites. Installer les tubes en cuivre seulement à des endroits où la température se maintient au-dessus du point de congélation.

## Pression de l'eau

Une alimentation en eau froide avec une pression entre 30 et 120 lb/po<sup>2</sup> (207 et 827 kPa) est nécessaire pour faire fonctionner le distributeur d'eau et la machine à glaçons. Si vous avez des questions au sujet de la pression de votre eau, appeler un plombier qualifié agréé.

### Alimentation en eau par osmose inverse

**IMPORTANT :** La pression de l'alimentation en eau entre le système d'osmose inverse et la valve d'arrivée d'eau du réfrigérateur doit être entre 30 et 120 lb/po<sup>2</sup> (207 et 827 kPa).

Si un système de purification de l'eau par osmose inverse est raccordé à votre alimentation en eau froide, la pression de l'eau au système doit être d'un minimum de 40 à 60 lb/po<sup>2</sup> (276 à 414 kPa).

Si la pression de l'eau au système d'osmose inverse est inférieure à 40 à 60 lb/po<sup>2</sup> (276 à 414 kPa) :

- Vérifier si le filtre à sédiment du système d'osmose inverse est bloqué et le remplacer si nécessaire.
- Laisser le réservoir du système d'osmose inverse se remplir après une utilisation intense.
- Si votre réfrigérateur a une cartouche de filtre à eau, celle-ci peut réduire encore plus la pression de l'eau lorsqu'elle est utilisée avec un système d'osmose inverse. Retirer la cartouche du filtre à eau. Voir "Système de filtration d'eau".

Si vous avez des questions au sujet de la pression de votre eau, appeler un plombier qualifié agréé.

## Raccordement de la canalisation d'eau

Lire toutes les instructions avant de commencer.

**IMPORTANT :** Si on doit utiliser le réfrigérateur avant qu'il soit raccordé à la canalisation d'eau, placer la commande de la machine à glaçons à la position OFF (arrêt).

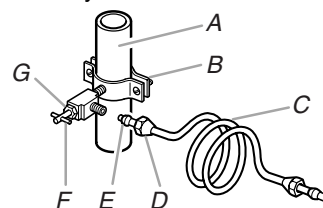
### Raccordement à une canalisation d'eau

1. Débrancher le réfrigérateur ou déconnecter la source de courant électrique.
2. FERMER le robinet principal d'arrivée d'eau. OUVRIR le robinet de puisage le plus proche pendant une période suffisante pour que la canalisation d'eau se vide.
3. Trouver une canalisation d'eau froide verticale de 1/2" (12,7 mm) à 1 1/4" (3,18 cm) près du réfrigérateur.

#### IMPORTANT :

- S'assurer qu'il s'agit de la canalisation d'eau froide.
  - Un conduit horizontal fonctionnera, mais percer par le dessus de la canalisation et non pas par le dessous. Ceci empêche également les sédiments qu'on trouve normalement dans l'eau de s'accumuler dans le robinet d'arrêt.
4. Pour déterminer la longueur du tube en cuivre, il faut mesurer la distance entre le point de connexion inférieur à l'arrière du réfrigérateur et le tuyau d'arrivée d'eau. Ajouter une longueur de 7 pi (2,1 m) pour permettre le déplacement du réfrigérateur pour le nettoyage. Utiliser un tube en cuivre de 1/4" (6,35 mm) de diamètre extérieur. Veiller à ce que le tube soit coupé d'équerre aux deux extrémités.

5. À l'aide d'une perceuse sans fil, percer un trou de 1/4" (6,35 mm) dans le tuyau de canalisation d'eau froide choisi.



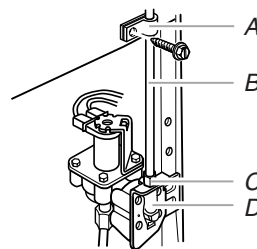
- A. Canalisation d'eau froide  
B. Bride de tuyau  
C. Tube en cuivre  
D. Écrou de compression  
E. Bague de compression  
F. Robinet d'arrêt  
G. Écrou de serrage

6. Fixer le robinet d'arrêt sur la canalisation d'eau froide avec la bride de tuyau. Vérifier que le raccord du robinet est bien engagé dans le trou de 1/4" (6,35 mm) percé dans la canalisation et que la rondelle d'étanchéité est placée sous la bride de tuyau. Serrer l'écrou de serrage. Serrer lentement et uniformément les vis fixant la bride de prise en charge sur le tuyau afin d'assurer l'étanchéité de la rondelle. Ne pas serrer excessivement car ceci pourrait provoquer l'écrasement du tube en cuivre.
7. Enfiler l'écrou et la bague de compression sur le tube en cuivre comme on le voit sur l'illustration. Insérer l'extrémité du tube aussi loin que possible dans l'ouverture de sortie du robinet. Visser l'écrou de compression sur le raccord de sortie avec une clé à molette réglable. Ne pas serrer excessivement.
8. Placer le bout libre du tube dans un contenant ou évier et OUVRIR le robinet principal d'arrivée d'eau et laisser l'eau s'écouler par le tube jusqu'à ce que l'eau soit limpide. FERMER le robinet principal d'arrivée d'eau. Enrouler le tube en cuivre en spirale.

## Raccordement au réfrigérateur

### Style 1

1. Débrancher le réfrigérateur ou déconnecter la source de courant électrique.
2. Connecter le tube en cuivre à la valve d'arrivée d'eau en utilisant un écrou et une bague de compression tel qu'illustré. Serrer l'écrou de compression. Ne pas serrer excessivement.
3. Utiliser la bride du tube à l'arrière du réfrigérateur pour fixer le tube au réfrigérateur tel qu'illustré. Ceci aide à éviter d'endommager le tube lorsque le réfrigérateur est poussé contre le mur.
4. OUVRIR le robinet d'arrêt.
5. Inspecter pour rechercher les fuites. Serrer tous les raccords (y compris les raccords au niveau de la valve d'entrée d'eau) ou les écrous qui coulent.



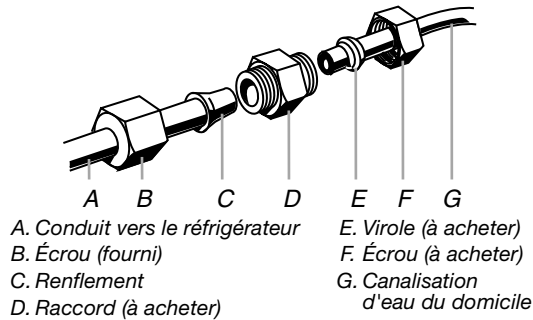
- A. Bride du tube  
B. Tube en cuivre  
C. Écrou de compression  
D. Valve d'entrée d'eau

- La machine à glaçons est équipée d'un filtre à eau incorporé. Si la qualité de l'eau distribuée localement nécessite un deuxième filtre à eau, installer ce dernier dans la canalisation d'eau de 1/4" (6,35 mm) au niveau de l'un des raccords du tuyau. On peut obtenir un tel filtre à eau chez le marchand d'appareils électroménagers le plus proche.

### Style 2

- Débrancher le réfrigérateur ou déconnecter la source de courant électrique.
- Retirer et jeter le bouchon en nylon noir du tuyau d'eau gris à l'arrière du réfrigérateur.
- Si le tuyau gris fourni avec le réfrigérateur n'est pas assez long, un raccord de 1/4" x 1/4" (6,35 mm x 6,35 mm) est nécessaire afin de connecter la canalisation d'eau au conduit d'eau existant dans la maison. Visser l'écrou fourni sur le raccord à l'extrémité du tube de cuivre.

**REMARQUE :** Serrer l'écrou à la main. Ensuite, le serrer avec une clé deux tours de plus. Ne pas serrer excessivement.

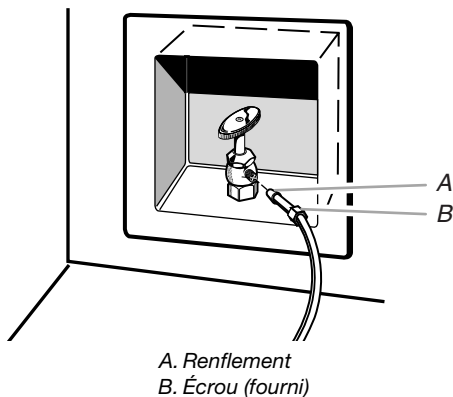


- OUVRIR le robinet d'arrêt.
- Inspecter pour rechercher les fuites. Serrer tous les raccords (y compris les raccordements de la valve d'entrée d'eau) ou les écrous qui coulent.

### Style 3

- Débrancher le réfrigérateur ou déconnecter la source de courant électrique.
- Retirer et jeter le bouchon en nylon noir du tuyau d'eau gris à l'arrière du réfrigérateur.
- Enfiler l'écrou fourni dans la valve d'entrée d'eau comme sur l'illustration.

**REMARQUE :** Serrer l'écrou à la main. Ensuite, le serrer avec une clé deux tours de plus. Ne pas serrer excessivement.



- OUVRIR le robinet d'arrêt.
- Inspecter pour rechercher les fuites. Serrer tous les raccords (y compris les raccordements de la valve d'entrée d'eau) ou les écrous qui coulent.

## Achever l'installation

### ⚠ AVERTISSEMENT



#### Risque de choc électrique

**Brancher sur une prise à 3 alvéoles reliée à la terre.**

**Ne pas enlever la broche de liaison à la terre.**

**Ne pas utiliser un adaptateur.**

**Ne pas utiliser un câble de rallonge.**

**Le non-respect de ces instructions peut causer un décès, un incendie ou un choc électrique.**

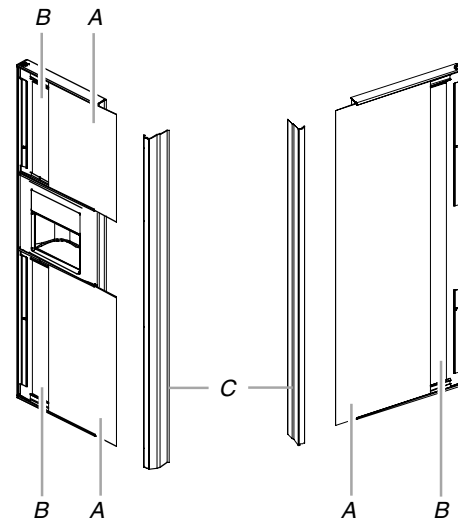
- Brancher sur une prise à 3 alvéoles reliée à la terre.
- Vider le système d'eau. Voir "Préparer le système d'eau" ou "Distributeurs d'eau et de glaçons".

**REMARQUE :** Attendre 24 heures pour produire la première quantité de glaçons. Attendre 3 jours pour que le bac à glaçons se remplisse entièrement.

## Ensembles décoratifs d'origine (sur certains modèles)

Il peut s'avérer nécessaire (en cas de déménagement du réfrigérateur à une nouvelle habitation ou d'installation de panneaux décoratifs personnalisés) d'enlever l'ensemble décoratif d'origine. Veuillez lire toutes les instructions avant d'enlever l'ensemble de garniture et les panneaux décoratifs.

### Porte du congélateur    Porte du réfrigérateur



A. Panneaux décoratifs  
B. Panneaux de remplissage  
C. Poignées

## Enlèvement des panneaux de la porte

**REMARQUE :** Lors de l'enlèvement et de la réinstallation des panneaux décoratifs, seule la poignée est enlevée. Toutes les autres pièces décoratives demeurent fixées aux portes.

1. Enlever les poignées du réfrigérateur et du congélateur :
  - En utilisant un tournevis Phillips, enlever les vis qui retiennent chaque poignée en place.
  - Soulever la poignée pour l'enlever. S'assurer de garder les vis pour réinstaller les poignées.
2. Enlever les panneaux de porte :
  - Ouvrir la porte du réfrigérateur ou du congélateur.
  - Sortir le panneau décoratif et le panneau de remplissage en les glissant.
  - Répéter le processus pour les autres panneaux et les panneaux de remplissage.
  - Remiser le panneau et les panneaux de remplissage pour éviter les égratignures.

## Réinstallation des panneaux de porte

1. Réinstaller les panneaux de porte du réfrigérateur ou du congélateur :
  - Ouvrir la porte du réfrigérateur ou du congélateur.
  - Faire glisser le panneau décoratif de  $\frac{1}{8}$ " (3,18 mm) en place derrière la garniture latérale.
  - Abaisser le panneau de remplissage en place en arrière du panneau décoratif.
  - Répéter le processus pour les autres panneaux et les panneaux de remplissage.

2. Réinstaller les poignées :

**REMARQUE :** La poignée du congélateur est entaillée pour convenir autour du panneau du distributeur.

- Aligner le sommet de la poignée du réfrigérateur ou du congélateur avec la garniture supérieure. Fixer la poignée à la porte du réfrigérateur ou du congélateur avec les vis et un tournevis Phillips.
- Répéter le procédé pour l'autre poignée.

## Entretien des panneaux décoratifs

1. Nettoyer les panneaux avec un nettoyant antistatique (disponible dans les magasins de produits électroniques ou d'ordinateurs) ou un savon doux et de l'eau avec un linge doux, propre et humide.
2. Rincer à fond les panneaux et sécher en absorbant l'eau comme un buvard, à l'aide d'un chiffon ou d'un chamois.

**REMARQUE :** Ne pas utiliser des essuie-tout ou des nettoyants qui contiennent des solvants tels que l'ammoniaque. Ils peuvent endommager la surface des panneaux.

3. Si de petites égratignures apparaissent sur les panneaux, elles peuvent être remplies en utilisant une cire en pâte pour automobile (non une combinaison de nettoyant/cire). Appliquer un peu de cire et polir légèrement avec un chiffon doux et par un mouvement circulaire.

## Installation des panneaux personnalisés en bois

Si vous prévoyez installer des panneaux décoratifs personnalisés en bois, vous devrez les créer vous-même ou consulter un ébéniste ou un menuisier. Voir les dessins dimensionnels pour les encarts des panneaux en bois.

### Panneaux unis :

On peut créer un panneau uni personnalisé de  $\frac{1}{4}$ " (6,35 mm) d'épaisseur maximum pour remplacer vos panneaux décoratifs. Les panneaux en bois unis de moins de  $\frac{1}{4}$ " (6,35 mm) d'épaisseur ne sont pas recommandés.

### Panneaux en relief :

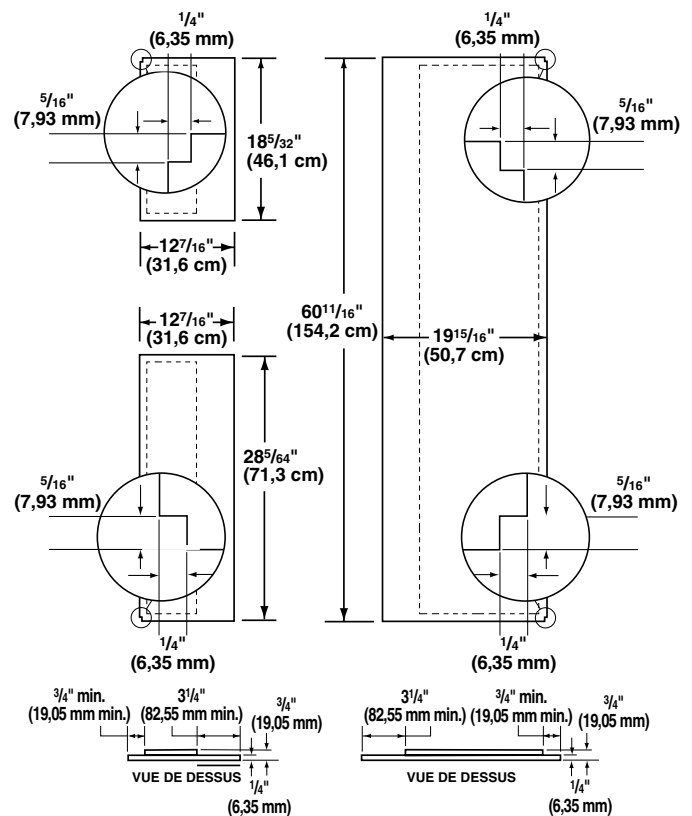
Un panneau en relief peut être créé en vissant ou en collant des panneaux en bois à un appui de  $\frac{1}{4}$ " (6,35 mm) ou en utilisant un panneau de  $\frac{3}{4}$ " (19,05 mm) avec rebord aminci.

### Exigences de poids pour les encarts de panneaux en relief :

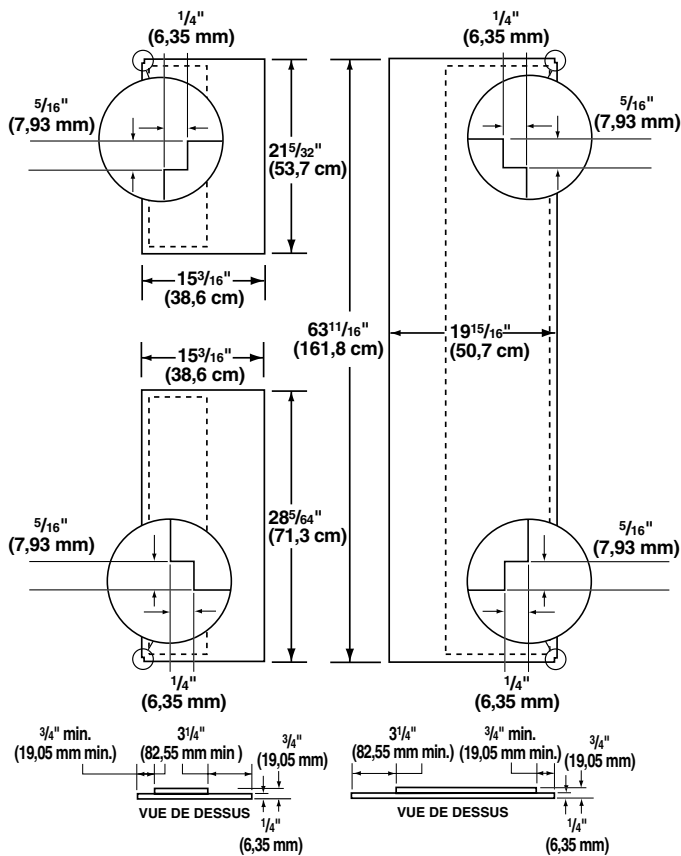
- Le panneau de la porte du réfrigérateur ne devrait pas excéder 25 lb (9,98 kg).
- Le poids combiné des panneaux de la porte du congélateur ne devrait pas excéder 18 lb (6,80 kg).

## Dimensions pour les panneaux en bois personnalisés

### Porte du congélateur et réfrigérateur de 22 pi cu

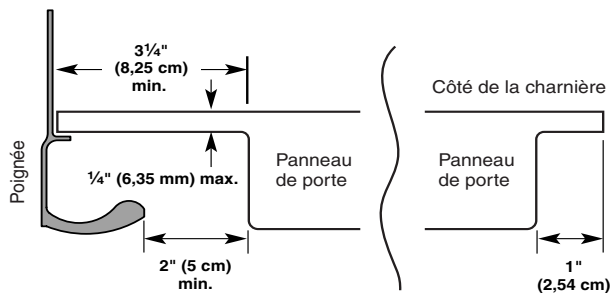


## Porte du congélateur et réfrigérateur de 25 pi cu



### Dimensions pour usinage des panneaux de porte (côté poignée) (vue latérale)

Usiner toutes les zones des panneaux (côté poignée) de 3/4" (8,25 cm).



# UTILISATION DU RÉFRIGÉRATEUR

## Utilisation des commandes

Pour votre commodité, les commandes du réfrigérateur sont préréglées à l'usine. Lors de l'installation initiale du réfrigérateur, s'assurer que les commandes sont encore préréglées. La commande du réfrigérateur et celle du congélateur devraient toutes les deux se trouver aux "réglages moyens".

Votre modèle peut comporter des commandes à glissière, des commandes électroniques ou des commandes numériques.

### IMPORTANT (toutes les commandes) :

- La commande du réfrigérateur règle la température du compartiment de réfrigération. La commande du congélateur règle la température du compartiment de congélation.
- Attendre 24 heures avant d'ajouter des aliments dans le réfrigérateur. Si on ajoute des aliments alors que le réfrigérateur n'a pas complètement refroidi, les aliments risquent de s'abîmer.

**REMARQUE :** Ajuster les commandes du réfrigérateur et du congélateur à un réglage plus élevé (plus froid) que le réglage recommandé ne refroidira pas les compartiments plus rapidement.

- Si la température est trop tiède ou trop froide dans le réfrigérateur ou le congélateur, vérifier d'abord les événements pour s'assurer qu'ils ne sont pas bloqués, avant de régler les commandes.
- Les réglages préréglés devraient être corrects pour l'utilisation domestique normale. Les réglages sont faits correctement lorsque le lait ou le jus sont aussi froids que vous l'aimez et lorsque la crème glacée est ferme.
- Attendre au moins 24 heures entre les ajustements. Vérifier de nouveau les températures avant de procéder à d'autres ajustements.

## Commandes à glissière (sur certains modèles)

### Style 1



### Style 2



### IMPORTANT :

- Avec le **style 1**, le produit ne se refroidit pas si la commande du réfrigérateur est sur OFF (arrêt). Avec le **style 2**, le produit ne se refroidit pas si la commande du congélateur est sur OFF (arrêt).
- La commande automatique de l'humidité de l'extérieur fonctionne en permanence pour empêcher l'accumulation d'humidité à l'extérieur de la caisse du réfrigérateur. Il n'est pas nécessaire de régler ou d'ajuster la commande.



## Ajustement des commandes à glissière

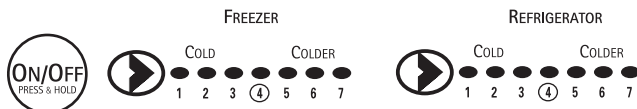
Les réglages à la gauche du réglage moyen augmentent la température. Ceux qui se trouvent à droite réduisent la température.

- Faire glisser la commande du CONGÉLATEUR ou du RÉFRIGÉRATEUR d'un cran vers la droite ou vers la gauche en fonction du changement de température nécessaire.

**REMARQUE :** Avec le **style 1**, après un réglage de la température du réfrigérateur, attendre 24 heures puis vérifier à nouveau la température du CONGÉLATEUR avant d'effectuer d'autres réglages.

CONDITION :	AJUSTEMENT DU RÉGLAGE :
RÉFRIGÉRATEUR trop froid	Commande du RÉFRIGÉRATEUR un cran plus bas
RÉFRIGÉRATEUR trop tiède	Commande du RÉFRIGÉRATEUR un cran plus haut
CONGÉLATEUR trop froid	Commande du CONGÉLATEUR un cran plus bas
CONGÉLATEUR trop tiède/ trop peu de glaçons	Commande du CONGÉLATEUR un cran plus haut

## Commandes électroniques (sur certains modèles)

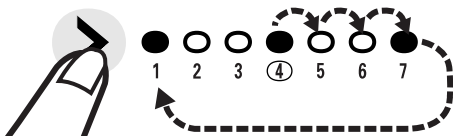


Pour mettre le réfrigérateur en marche, appuyer sur ON/OFF (marche/arrêt) pendant 2 secondes. Les témoins lumineux indiquent les réglages actuels de la température.

## Ajustement des commandes électroniques

Les réglages à la gauche du réglage moyen augmentent la température. Ceux qui se trouvent à droite réduisent la température.

- Appuyer sur la flèche du CONGÉLATEUR ou du RÉFRIGÉRATEUR pour déplacer le témoin lumineux vers la droite, un cran à la fois. Continuer de déplacer le témoin lumineux jusqu'à ce qu'il atteigne le réglage désiré.



**REMARQUE :** À chaque pression de la flèche, un bip se fait entendre alors que le témoin lumineux se déplace au réglage suivant. Le témoin lumineux se déplace jusqu'au réglage "7", puis retourne au réglage "1".

CONDITION :	AJUSTEMENT DU RÉGLAGE :
RÉFRIGÉRATEUR trop froid	Commande du RÉFRIGÉRATEUR un cran plus bas
RÉFRIGÉRATEUR trop tiède	Commande du RÉFRIGÉRATEUR un cran plus haut
CONGÉLATEUR trop froid	Commande du CONGÉLATEUR un cran plus bas
CONGÉLATEUR trop tiède/ trop peu de glaçons	Commande du CONGÉLATEUR un cran plus haut

## Production accélérée de glaçons

Cette caractéristique est utile lors de périodes temporaires d'utilisation intense de glaçons en augmentant la production de glaçons sur une période de 24 heures.

- Appuyer sur la touche ICE pour régler la température du congélateur à -10°F (-23°C). Le réglage de production accélérée de glaçons demeure activé pendant 24 heures à moins d'être annulé manuellement. L'afficheur continuera d'afficher le point de réglage normal de température.



**REMARQUE :** Si on désire une production accrue de glaçons en permanence, régler la commande du congélateur à une température inférieure. L'ajustement du congélateur à une température plus froide peut rendre certains aliments, tels que la crème glacée, plus durs.

## Commandes numériques (sur certains modèles)



Pour mettre le réfrigérateur en marche, appuyer sur POWER (ON/OFF) (alimentation-marche/arrêt) pendant 2 secondes. Les points de réglage recommandés par l'usine sont 0°F (-18°C) pour le congélateur et 37°F (3°C) pour le réfrigérateur.

## REMARQUES :

- Pour visualiser les températures en Celsius, appuyer sur la touche °C SELECT. Le témoin lumineux s'allume. Pour revenir à l'affichage en Fahrenheit, appuyer à nouveau sur la touche °C SELECT.
- Si la température du congélateur est inférieure à zéro, le signe négatif à côté de l'afficheur du congélateur s'allume.

## Ajustement des commandes numériques

La gamme de valeurs de réglage pour le congélateur va de -5°F à 5°F (-21°C à -15°C). La gamme de valeurs de réglage pour le réfrigérateur va de 33°F à 41°F (1°C à 5°C).

- Pour ajuster les réglages de température, appuyer sur la touche PLUS (+) ou MOINS (-) du réfrigérateur ou du congélateur jusqu'à ce que la température désirée soit atteinte.

CONDITION :	AJUSTEMENT DE LA TEMPÉRATURE :
RÉFRIGÉRATEUR trop froid	Commande du RÉFRIGÉRATEUR 1° plus haut
RÉFRIGÉRATEUR trop tiède	Commande du RÉFRIGÉRATEUR 1° plus bas
CONGÉLATEUR trop froid	Commande du CONGÉLATEUR 1° plus haut
CONGÉLATEUR trop tiède/ trop peu de glaçons	Commande du CONGÉLATEUR 1° plus bas

## Max Cool (refroidissement maximum)

La caractéristique Max Cool est utile lors de périodes d'utilisation intensive de glaçons, d'ajout d'un grand nombre d'aliments ou de l'élévation temporaire de la température de la pièce.

- Appuyer sur la touche MAX COOL pour activer la caractéristique de refroidissement maximum. Le témoin lumineux Max Cool demeure allumé pendant 24 heures à moins d'être éteint manuellement.

**REMARQUE :** L'affichage de la température ne change pas. Au bout de 24 heures, le réfrigérateur revient aux points de réglage de la température précédents.

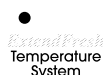
## Production accélérée de glaçons (sur certains modèles)

Cette caractéristique est utile lors de périodes temporaires d'utilisation intense de glaçons en augmentant la production de glaçons sur une période de 24 heures.

- Appuyer sur la touche OPTIMICE® pour activer la caractéristique OptimIce®. Le réglage OptimIce® demeure activé pendant 24 heures à moins d'être éteint manuellement.
- Si on désire une production accrue de glaçons en permanence, régler la commande du congélateur à une valeur plus froide. Le réglage du congélateur à une température plus froide peut rendre certains aliments, comme la crème glacée, plus durs.

## Temperature System (système de température)

La caractéristique Temperature System vous indique si le compresseur ou le ventilateur d'évaporation fonctionne. Il est normal que le témoin lumineux soit allumé.



## Commande de température dans le tiroir convertible

La commande peut être ajustée pour un refroidissement approprié des viandes ou des légumes. L'air à l'intérieur du contenant est refroidi pour éviter les "petits espaces" de congélation et peut être réglé pour garder les viandes aux températures de conservation de 28° à 32°F (de -2° à 0°C) recommandées par l'Office national du bétail et des viandes. Le tiroir convertible pour légumes/viande est pré-réglé au réglage pour viande le plus bas.

### Conservation de la viande :

Régler la commande sur l'un des trois réglages MEAT (viande) pour conserver la viande à sa température de conservation optimale.

### Conservation des légumes :

Régler la commande à VEG (légumes) pour conserver les légumes à leurs températures de conservation optimales.

**REMARQUE :** Si les aliments commencent à geler, déplacer la commande vers la gauche (moins froid). Ne pas oublier d'attendre 24 heures entre les ajustements.

## Réglage de l'humidité dans le bac à légumes (sur certains modèles)

On peut contrôler le degré d'humidité dans le bac à légumes étanche. La commande peut être ajustée à n'importe quel réglage entre LOW et HIGH.

**LOW/bas (ouvert)** pour une meilleure conservation des fruits et légumes à pelures.

**HIGH/haut (fermé)** pour une meilleure conservation des légumes à feuilles frais.

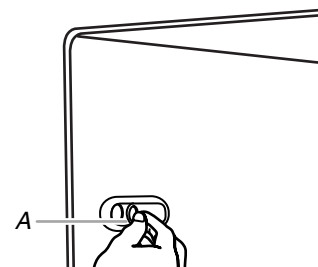
## Compartment fraîcheur dans la porte (sur certains modèles)

De l'air froid du congélateur passe directement dans le compartiment de la porte du réfrigérateur situé sous les événements.

**REMARQUE :** Le compartiment à produits laitiers et le porte-canettes ne sont pas associés à la caractéristique Compartiment fraîcheur dans la porte.

## Commande du compartiment fraîcheur dans la porte

La commande du compartiment fraîcheur se trouve sur le côté gauche du compartiment de réfrigération.



A. Commande du compartiment fraîcheur dans la porte

- Déplacer le bouton de commande du compartiment fraîcheur vers la gauche pour réduire la circulation d'air froid dans le compartiment et le rendre ainsi moins froid.
- Déplacer le bouton de commande du compartiment fraîcheur vers la droite pour augmenter la circulation d'air froid dans le compartiment et le rendre ainsi plus froid.

## Distributeurs d'eau et de glaçons (sur certains modèles)

Selon le modèle que vous avez, vous pouvez avoir une ou plusieurs des options suivantes : la possibilité de choisir de la glace concassée ou des glaçons, une lumière spéciale qui s'allume lorsque vous utilisez le distributeur, un mode AUTO (automatique) ainsi qu'une option de verrouillage pour éviter la distribution involontaire.

### REMARQUES :

- Le système de distribution ne fonctionne pas lorsque la porte du congélateur est ouverte.
- Après avoir connecté le réfrigérateur à une source d'alimentation en eau, vidanger le système d'eau. Utiliser un récipient robuste pour appuyer sur le levier du distributeur d'eau pendant 5 secondes, puis relâcher pendant 5 secondes. Répéter l'opération jusqu'à ce que l'eau commence à couler. Une fois que l'eau commence à couler, répéter l'opération (appui sur le levier du distributeur pendant 5 secondes puis relâchement pendant 5 secondes) pendant 2 minutes supplémentaires. Ceci permettra d'évacuer l'air du filtre et du système de distribution d'eau. Une vidange supplémentaire peut être nécessaire dans certains domiciles. Pendant l'évacuation de l'air du système, de l'eau peut gicler du distributeur.
- Accorder 24 heures pour que le réfrigérateur se refroidisse et refroidisse l'eau.
- Accorder 24 heures pour produire la première quantité de glaçons. Jeter les trois premières quantités de glaçons produites.

### Le distributeur d'eau

**IMPORTANT :** Puiser une quantité suffisante d'eau chaque semaine pour maintenir un approvisionnement frais.

#### Distribution d'eau :

1. Appuyer un verre contre le levier du distributeur d'eau.
2. Retirer le verre robuste pour arrêter la distribution.

### Le distributeur de glaçons

Les glaçons sont distribués du bac d'entreposage de glaçons du congélateur. Le système de distribution ne fonctionne pas lorsque la porte du congélateur est ouverte. Pour éteindre la machine à glaçons, voir "Machine à glaçons et bac d'entreposage".

Certains modèles distribuent des glaçons en cubes et de la glace concassée. Avant la distribution de glace, choisir quelle sorte vous préférez.

Pour de la glace concassée, les glaçons sont concassés avant d'être distribués. Cette action peut causer un court délai lors de la distribution de glace concassée. Le bruit du broyeur de glaçons est normal et la dimension des morceaux de glace peut varier. Lorsqu'on change de concassée à cube, quelques onces de glace concassée seront distribuées avec les premiers glaçons.

#### Distribution de glace :

1. Si le bac d'entreposage de glaçons est situé dans la porte, retirer l'écran protecteur temporaire situé sous le bac. Voir "Machine à glaçons et bac d'entreposage".

2. Appuyer sur le bouton pour le type de glace désiré.

## AVERTISSEMENT



### Risque de coupure

Utiliser un verre robuste pour prendre des glaçons.

Le non-respect de cette instruction peut causer des coupures.

3. Appuyer un verre robuste contre le levier de distribution de glaçons. Tenir le verre près de l'ouverture du distributeur pour que les glaçons ne tombent pas à côté du verre.

**IMPORTANT :** Il n'est pas nécessaire d'appliquer beaucoup de pression au levier pour activer le distributeur de glaçons. Une pression forte ne donne pas une distribution plus rapide de glaçons ou des quantités plus grandes.

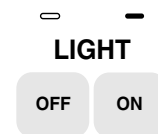
4. Retirer le verre pour arrêter la distribution.

### La lumière du distributeur

#### Style 1

L'espace de distribution comporte une lumière. Elle peut être allumée manuellement en appuyant sur le bouton ON (touche à effleurement ou commutateur à bascule).

Sur certains modèles : Lorsqu'on utilise le distributeur, le levier allume automatiquement la lumière.



#### Style 2

Lorsqu'on utilise le distributeur, le levier allume automatiquement la lumière. Pour avoir la lumière allumée en permanence, sélectionner ON ou AUTO.



**ON :** Appuyer sur le bouton de la lumière (LIGHT) pour éclairer le distributeur.

**AUTO :** Appuyer sur le bouton de la lumière une deuxième fois pour sélectionner le mode AUTO. La lumière du distributeur s'ajustera automatiquement pour éclairer plus ou moins en fonction de la clarté de la pièce.

**OFF :** Appuyer sur le bouton de la lumière une troisième fois pour éteindre la lumière du distributeur.

Les lumières du distributeur sont des DEL et ne devraient pas avoir besoin d'être changées. Si les lumières du distributeur ne fonctionnent pas, vérifier que le détecteur de lumière n'est pas bloqué (en mode AUTO). Voir "Dépannage" pour de plus amples informations.



## Le verrouillage du distributeur (sur certains modèles)

Le distributeur peut être verrouillé pour un nettoyage facile ou pour éviter la distribution involontaire par de jeunes enfants ou des animaux de compagnie.

**REMARQUE :** La caractéristique de verrouillage ne coupe pas le courant électrique au réfrigérateur, à la machine à glaçons ou à la lumière du distributeur. Elle sert simplement à désactiver les leviers du distributeur.

### Style 1

Pour arrêter le distributeur, appuyer sur le bouton LOCK (verrouillage) jusqu'à ce que l'indicateur apparaisse. Les distributeurs de glaçons et d'eau ne fonctionneront pas. Pour déverrouiller le distributeur, appuyer sur le bouton UNLOCK (déverrouillage) jusqu'à ce que l'indicateur apparaisse. Ensuite, continuer à distribuer des glaçons ou de l'eau comme d'habitude.

### Style 2

Pour arrêter le distributeur, appuyer sur le bouton de verrouillage jusqu'à ce que l'indicateur apparaisse sous LOCK OUT (verrouillé). Les distributeurs de glaçons et d'eau ne fonctionneront pas. Pour déverrouiller le distributeur, appuyer sur le bouton LOCK OUT jusqu'à ce que l'indicateur disparaisse. Puis, poursuivre la distribution d'eau ou de glaçons comme d'habitude.

## Machine à glaçons et bac d'entreposage

### Mise en marche/arrêt de la machine à glaçons

#### Style 1

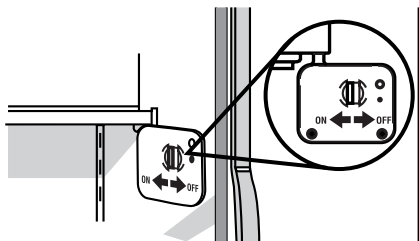
Pour mettre la machine à glaçons en marche, il suffit d'abaisser le bras de commande en broche.

Pour arrêter manuellement la machine à glaçons, soulever le bras de commande en broche à la position OFF (élevée) et attendre le clic.

**REMARQUE :** Votre machine à glaçons a un arrêt automatique. Au fur et à mesure de la fabrication de la glace, les glaçons remplissent le bac d'entreposage de glaçons. Les glaçons soulèvent le bras de commande en broche à la position OFF (élevée). Ne pas forcer le commutateur du bras en broche vers le haut ou vers le bas.

#### Style 2

Le commutateur On/Off se trouve en haut, à droite du compartiment de congélation.



Pour mettre en marche la machine à glaçons, glisser le commutateur vers la position ON (vers la gauche).

Pour arrêter manuellement la machine à glaçons, glisser le commutateur vers la position OFF (vers la droite).

**REMARQUE :** La machine à glaçons s'arrête automatiquement. Le détecteur de la machine à glaçons arrêtera automatiquement la production de glaçons mais le commutateur restera en position ON (vers la gauche).

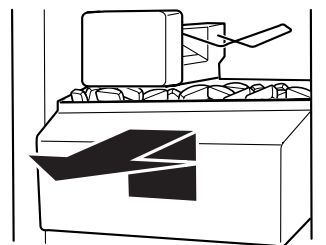
### À NOTER :

- Accorder 24 heures pour produire la première quantité de glaçons. Jeter les trois premières quantités de glaçons produites.
- La qualité de vos glaçons sera seulement aussi bonne que la qualité de l'eau fournie à votre machine à glaçons. Éviter de brancher la machine à glaçons à un approvisionnement d'eau adoucie. Les produits chimiques adoucisseurs d'eau (tels que le sel) peuvent endommager des pièces de la machine à glaçons et causer une piètre qualité des glaçons. Si une alimentation d'eau adoucie ne peut pas être évitée, s'assurer que l'adoucisseur d'eau fonctionne bien et qu'il est bien entretenu.
- Ne jamais utiliser un objet pointu pour briser les glaçons dans le bac. Cette action peut endommager le bac et le mécanisme du distributeur.
- Ne pas garder quoi que ce soit sur le dessus ou dans la machine à glaçons ou dans le bac à glaçons.

### Pour retirer et réinstaller le bac à glaçons

#### Style 1

1. Tirer le panneau qui recouvre le bac à glaçons en le retirant hors de la base et ensuite en le glissant vers l'arrière.
2. Soulever le bras en broche jusqu'à ce qu'il s'enclenche à la position OFF (élevée). Les glaçons peuvent encore être distribués, mais aucun autre glaçon ne peut être fait.
3. Soulever le devant du bac à glaçons et le retirer.



4. Replacer le bac à glaçons en le poussant complètement sinon le distributeur ne fonctionnera pas. Appuyer sur le bras en broche pour l'abaisser à la position ON pour remettre la production de glaçons en marche. S'assurer que la porte est bien fermée.

#### Style 2

1. Tenir la base du bac à glaçons à deux mains et appuyer sur le bouton de dégagement pour pouvoir soulever et retirer le bac.

**REMARQUE :** Il n'est pas nécessaire de pousser le commutateur de la machine à glaçons vers la position OFF (vers la droite) lorsqu'on enlève le bac. Le couvercle du détecteur ("porte à clapet"), sur la paroi gauche du congélateur, interrompt la production de glaçons lorsque la porte est ouverte ou que le bac n'est pas en place.

2. Remettre le bac en place sur la porte et appuyer vers le bas pour le replacer correctement.



## Systeme de filtration de l'eau

Ne pas utiliser pour le filtrage d'une eau microbiologiquement polluée ou de qualité inconnue en l'absence d'un dispositif de désinfection adéquat avant ou après le système.

### Témoin lumineux de l'état du filtre à eau (sur certains modèles)

Le témoin lumineux de l'état du filtre à eau vous aidera à savoir quand changer le filtre à eau. Le témoin lumineux passera du vert au jaune. Ceci indique qu'il est presque temps de changer le filtre. Il est recommandé de remplacer le filtre à eau lorsque le témoin lumineux de l'état du filtre à eau passe au rouge OU lorsque le débit d'eau à votre distributeur ou à la machine à glaçons diminue de façon marquée. Le filtre doit être remplacé au moins tous les 6 mois selon la qualité de l'eau et l'utilisation.

Après avoir changé le filtre à eau, régler de nouveau le témoin lumineux de l'état du filtre à eau.

#### Style 1

Appuyer sur le commutateur de lumière 5 fois en deçà de 10 secondes. Le témoin lumineux de l'état du filtre passera du rouge au vert.

#### Style 2

Appuyer sur le bouton de réinitialisation jusqu'à ce que le voyant de fonctionnement passe au vert. Ce bouton se trouve sur le distributeur d'eau ou sur le tableau de commande dans le compartiment de réfrigération.

### Filtre à eau sans indicateur lumineux (sur certains modèles)

Si votre réfrigérateur n'est pas muni du témoin lumineux de filtre à eau, vous devez changer la cartouche du filtre à eau tous les 6 mois selon la qualité de l'eau et l'utilisation. Si le débit d'eau au distributeur ou à la machine à glaçons diminue de façon marquée avant que 6 mois ne se soient écoulés, remplacer le filtre à eau plus souvent.

### Utilisation du distributeur sans filtre à eau

Il est possible de faire fonctionner le distributeur sans utiliser de filtre à eau. L'eau ne sera pas filtrée.

1. Enlever le filtre à eau.
2. Faire glisser le couvercle de l'extrémité du filtre et le replacer dans la grille de la base.

**IMPORTANT :** Ne pas jeter le couvercle. Il fait partie de votre réfrigérateur. Conserver le couvercle pour l'utiliser avec le filtre de rechange.

## ENTRETIEN DU RÉFRIGÉRATEUR

### Nettoyage

#### AVERTISSEMENT



#### Risque d'explosion

Utiliser un produit de nettoyage ininflammable.

Le non-respect de cette instruction peut causer un décès, une explosion ou un incendie.

Les sections de réfrigération et de congélation se dégivrent automatiquement. Toutefois, nettoyer les deux sections environ une fois par mois pour éviter une accumulation d'odeurs. Essuyer les renversements immédiatement.

**IMPORTANT :** Comme l'air circule entre les deux sections, toutes les odeurs formées dans une section seront transférées à l'autre. Vous devez nettoyer à fond les deux sections pour éliminer les odeurs. Pour éviter le transfert d'odeurs et l'assèchement des aliments, envelopper ou recouvrir hermétiquement les aliments.

#### Nettoyage de votre réfrigérateur :

**REMARQUE :** Ne pas utiliser des nettoyants abrasifs tels que les nettoyants à vitre en atomiseurs, nettoyants à récurer, liquides inflammables, cires nettoyantes, détergents concentrés, eau de Javel ou nettoyants contenant du pétrole sur les pièces en plastique, les garnitures intérieures et de portes ou les joints de portes. Ne pas utiliser d'essuie-tout, tampons à récurer ou autres outils de nettoyage abrasifs.

1. Débrancher le réfrigérateur ou déconnecter la source de courant électrique.
2. Laver à la main, rincer et sécher les pièces amovibles et les surfaces internes à fond. Utiliser une éponge propre ou un linge doux et un détergent doux dans de l'eau tiède.
3. Laver les surfaces extérieures en acier inoxydable ou en métal peint avec une éponge propre ou un linge doux et un détergent doux dans de l'eau tiède.
4. Le condenseur n'a pas besoin d'être nettoyé souvent dans des conditions de fonctionnement normales. Si l'environnement est particulièrement gras, poussiéreux, ou s'il y a des animaux domestiques dans la maison, le condenseur devrait être nettoyé tous les deux ou trois mois pour assurer une efficacité maximum.

Si vous avez besoin de nettoyer le condenseur :

- Retirer la grille de la base.
  - Utiliser un aspirateur à brosse douce pour nettoyer la grille, les endroits ouverts derrière la grille et la surface à l'avant du condenseur.
  - Replacer la grille de la base lorsqu'on a terminé.
5. Brancher le réfrigérateur ou reconnecter la source de courant électrique.

## Remplacement des ampoules d'éclairage

**REMARQUE :** Toutes les ampoules ne conviendront pas à votre réfrigérateur. S'assurer de faire le remplacement par une ampoule de grosseur, de forme et de puissance semblables. Sur certains modèles, la lampe du distributeur demande une ampoule pour service intense de 10 watts. Toutes les autres lampes demandent une ampoule de 40 watts. Les ampoules de remplacement sont disponibles chez votre marchand.

1. Débrancher le réfrigérateur ou déconnecter la source de courant électrique.

2. Enlever le protecteur d'ampoule s'il y a lieu.

**REMARQUE :** Pour nettoyer le protecteur d'ampoule, le laver à l'eau tiède et avec un détergent liquide. Bien rincer et sécher le protecteur d'ampoule.

3. Enlever l'ampoule d'éclairage et la remplacer par une de même taille, forme et puissance.

4. Replacer le protecteur d'ampoule s'il y a lieu.

5. Brancher le réfrigérateur ou reconnecter la source de courant électrique.

# DÉPANNAGE

Essayer d'abord les solutions suggérées ici ou visiter notre site Internet et la FAQ (foire aux questions) pour éviter le coût d'un appel de service.

Aux É.-U., [www.kitchenaid.com](http://www.kitchenaid.com) Au Canada, [www.kitchenaid.ca](http://www.kitchenaid.ca)

## Fonctionnement du réfrigérateur

### Le réfrigérateur ne fonctionne pas

#### **AVERTISSEMENT**



#### Risque de choc électrique

Brancher sur une prise à 3 alvéoles reliée à la terre.

Ne pas enlever la broche de liaison à la terre.

Ne pas utiliser un adaptateur.

Ne pas utiliser un câble de rallonge.

Le non-respect de ces instructions peut causer un décès, un incendie ou un choc électrique.

- **Le cordon d'alimentation électrique est-il débranché?** Brancher sur une prise à 3 alvéoles reliée à la terre.
- **La prise électrique fonctionne-t-elle?** Brancher une lampe pour voir si la prise fonctionne.

■ **Un fusible est-il grillé ou un disjoncteur s'est-il déclenché?** Remplacer le fusible ou réenclencher le disjoncteur. Si le problème persiste, appeler un électricien.

■ **Les réglages sont-ils sur ON (marche)?** S'assurer que les commandes du réfrigérateur sont sur ON (marche). Voir "Utilisation des commandes".

■ **S'agit-il d'une nouvelle installation?** Accorder 24 heures après l'installation pour que le réfrigérateur se refroidisse complètement.

**REMARQUE :** Le fait d'ajuster les commandes de température sur le réglage le plus froid ne refroidira pas le compartiment plus rapidement.

### Le moteur semble fonctionner excessivement

Il se peut que votre nouveau réfrigérateur fonctionne plus longtemps que l'ancien grâce à son compresseur à haute efficacité et ses ventilateurs. L'appareil peut fonctionner plus longtemps encore si la température de la pièce est chaude, si une importante quantité de nourriture y est ajoutée, si les portes sont fréquemment ouvertes ou si elles ont été laissées ouvertes.

## Le réfrigérateur est bruyant

Le bruit des réfrigérateurs a été réduit au cours des années. Du fait de cette réduction, il est possible d'entendre des bruits intermittents venant de votre nouveau réfrigérateur qui n'avaient pas été décelés avec votre ancien modèle. Voici une liste des sons normaux accompagnés d'une explication.

- **Bourdonnement** - entendu lorsque le robinet d'arrivée d'eau s'ouvre pour remplir la machine à glaçons
- **Pulsation** - les ventilateurs/le compresseur se règlent afin d'optimiser la performance
- **Sifflement/cliquetis** - écoulement de liquide réfrigérant, mouvement des conduites d'eau ou d'objets posés sur le dessus du réfrigérateur
- **Grésillement/gargouillement** - de l'eau tombe sur l'élément de chauffage durant le programme de dégivrage
- **Bruit d'éclatement** - contraction/expansion des parois internes, particulièrement lors du refroidissement initial
- **Bruit d'écoulement d'eau** - peut être entendu lorsque la glace fond lors du programme de dégivrage et que l'eau s'écoule dans le plateau de dégivrage
- **Grincement/craquement** - se produit lorsque la glace est éjectée du moule à glaçons

## Les portes ne ferment pas complètement

- **La porte est-elle bloquée en position ouverte?** Déplacer les emballages d'aliments pour libérer la porte.
- **Un compartiment ou une tablette bloquent-ils le passage?** Replacer le compartiment ou la tablette en position correcte.

## Les portes sont difficiles à ouvrir

### **AVERTISSEMENT**



#### Risque d'explosion

Utiliser un produit de nettoyage ininflammable.

Le non-respect de cette instruction peut causer un décès, une explosion ou un incendie.

- **Les joints collent-ils ou sont-ils sales?** Nettoyer les joints au savon doux et à l'eau tiède.

## Les ampoules ne fonctionnent pas

- **Une ampoule est-elle desserrée dans la douille ou grillée?** Voir "Remplacement des ampoules d'éclairage".
- **La lumière du distributeur est-elle réglée à OFF (arrêt)?** La lumière du distributeur fonctionne seulement lorsqu'on a appuyé sur les leviers. Si on désire que la lumière du distributeur reste allumée en permanence, régler la lumière du distributeur à ON (allumée), ou NIGHT LIGHT (veilleuse) ou AUTO ou HALF (luminosité réduite de moitié) ou DIM (faible luminosité). Voir "Distributeurs d'eau et de glaçons".
- **La lumière du distributeur est-elle réglée à NIGHT LIGHT (veilleuse) ou AUTO?** Si le distributeur est réglé au mode NIGHT LIGHT (veilleuse) ou AUTO, s'assurer que le détecteur de la lumière du distributeur n'est pas bloqué. Voir "Distributeurs d'eau et de glaçons".

## Température et humidité

### La température est trop élevée

- **S'agit-il d'une nouvelle installation?** Accorder 24 heures après l'installation pour que le réfrigérateur se refroidisse complètement.
- **Porte(s) ouverte(s) souvent ou laissée(s) ouverte(s)?** Ceci permet à l'air chaud de pénétrer dans le réfrigérateur. Minimiser les ouvertures de porte et garder les portes complètement fermées.
- **Une importante quantité d'aliments a-t-elle été ajoutée?** Accorder quelques heures pour que le réfrigérateur revienne à sa température normale.
- **Les réglages sont-ils corrects pour les conditions existantes?** Ajuster les commandes un cran plus froid. Vérifier la température au bout de 24 heures. Voir "Utilisation des commandes".

### Il existe une accumulation d'humidité à l'intérieur

**REMARQUE :** Une certaine accumulation d'humidité est normale.

- **La pièce est-elle humide?** Ceci contribue à l'accumulation de l'humidité.
- **Porte(s) ouverte(s) souvent ou laissée(s) ouverte(s)?** Ceci permet à l'air humide de pénétrer dans le réfrigérateur. Minimiser les ouvertures de porte et garder les portes complètement fermées.

### La machine à glaçons ne produit pas ou pas suffisamment de glaçons

- **Le réfrigérateur est-il connecté à l'alimentation en eau et le robinet d'arrêt d'eau est-il ouvert?** Brancher le réfrigérateur à l'alimentation en eau et ouvrir le robinet d'arrêt d'eau complètement.
- **La canalisation de la source d'eau du domicile comporte-t-elle une déformation?** Une déformation dans la canalisation peut réduire l'écoulement d'eau. Redresser la canalisation d'eau.
- **La machine à glaçons est-elle allumée?** S'assurer que le bras de commande en broche ou l'interrupteur (selon le modèle) est en position ON.
- **S'agit-il d'une nouvelle installation?** Attendre 24 heures après l'installation pour le commencement de la production de glaçons. Attendre 72 heures pour la production complète de glaçons.
- **Une grande quantité de glaçons vient-elle d'être enlevée?** Attendre 24 heures pour que la machine à glaçons produise plus de glaçons.
- **Un glaçon est-il coincé dans le bras éjecteur?** Enlever le glaçon du bras éjecteur avec un ustensile en plastique.
- **Un système de filtration de l'eau à osmose inverse est-il connecté à votre canalisation d'eau froide?** Ceci peut diminuer la pression de l'eau. Voir "Spécifications de l'alimentation en eau" soit dans les instructions d'installation soit dans le Guide d'utilisation et d'entretien.

### Les glaçons sont creux ou petits

**REMARQUE :** Cela indique une faible pression de l'eau.

- **La valve de la canalisation d'eau n'est-elle pas complètement ouverte?** Ouvrir la valve d'eau complètement.
- **La canalisation de la source d'eau du domicile comporte-t-elle une déformation?** Une déformation dans la canalisation peut réduire l'écoulement d'eau. Redresser la canalisation d'eau.
- **Un système de filtration de l'eau à osmose inverse est-il connecté à votre canalisation d'eau froide?** Ceci peut diminuer la pression de l'eau. Voir "Spécifications de l'alimentation en eau".
- **Reste-t-il des questions concernant la pression de l'eau?** Appeler un plombier agréé et qualifié.

### Goût, odeur ou couleur grise des glaçons

- **Les raccords de plomberie sont-ils neufs?** Des raccords de plomberie neufs peuvent causer une décoloration et un mauvais goût des glaçons.
- **Les glaçons ont-ils été gardés trop longtemps?** Jeter les glaçons. Laver le compartiment à glaçons. Accorder 24 heures pour la fabrication de nouveaux glaçons.
- **Y a-t-il un transfert d'odeurs de nourriture?** Utiliser des emballages étanches à l'air et à l'humidité pour conserver les aliments.
- **L'eau contient-elle des minéraux (tels que le soufre)?** L'installation d'un filtre peut être requise afin d'enlever les minéraux.
- **Y a-t-il un filtre à eau installé sur le réfrigérateur?** Une décoloration grise ou foncée de la glace indique que le système de filtration de l'eau a besoin d'un rinçage additionnel.

### Le distributeur de glaçons ne fonctionne pas correctement

- Si le bac d'entreposage de glaçons est situé dans la porte, retirer l'écran protecteur temporaire situé sous le bac. Voir "Machine à glaçons et bac d'entreposage".
- **Porte du congélateur complètement fermée?** Bien fermer la porte. Si elle ne ferme pas complètement, voir "Les portes ne ferment pas complètement".
- **Le bac à glaçons est-il bien installé?** S'assurer que le bac à glaçons est fermement en place.
- **S'agit-il d'une nouvelle installation?** Attendre 24 heures après l'installation pour le commencement de la production de glaçons. Attendre 72 heures pour une production complète de glaçons.
- **Glaçons coincés dans la chute de distribution?** Utiliser un ustensile en plastique pour dégager la chute.
- **Les mauvais glaçons ont-ils été ajoutés au bac?** Utiliser seulement des glaçons produits par la machine à glaçons courante.



- **La glace a-t-elle fondu autour de la tige (spirale en métal) dans le bac à glaçons?** Vider le bac à glaçons. Utiliser de l'eau tiède pour fondre la glace si nécessaire.


AVERTISSEMENT



**Risque de coupure**

Utiliser un verre robuste pour prendre des glaçons.

Le non-respect de cette instruction peut causer des coupures.

- **Le distributeur de glaçons se bloque-t-il lorsqu'il distribue de la glace "concassée"?** Changer le réglage "crushed" (glace concassée) pour le réglage "cubed" (glaçons). Si les glaçons sont correctement distribués, abaisser le bouton "crushed" pour obtenir de la glace concassée et reprendre la distribution.
- **Le bras de distribution a-t-il été retenu trop longtemps?** Les glaçons cesseront d'être distribués lorsque le bras est retenu trop longtemps. Attendre 3 minutes pour que le moteur du distributeur soit réglé de nouveau avant d'être utilisé.

---

#### Le distributeur d'eau ne fonctionne pas correctement

---

- **Porte du congélateur complètement fermée?** Bien fermer la porte. Si elle ne ferme pas complètement, voir "Les portes ne ferment pas complètement".
- **Le réfrigérateur est-il connecté à l'alimentation en eau et le robinet d'arrêt d'eau est-il ouvert?** Brancher le réfrigérateur à l'alimentation en eau et ouvrir le robinet d'arrêt d'eau complètement.
- **La pression de l'eau est-elle inférieure à 30 lb/po<sup>2</sup> (207 kPa)?** La pression de l'eau du domicile détermine l'écoulement d'eau du distributeur. Voir "Spécifications de l'alimentation en eau".
- **Déformation du conduit de canalisation d'eau du domicile?** Redresser la canalisation d'eau.
- **S'agit-il d'une nouvelle installation?** Rincer et remplir le système de distribution d'eau.
- **Un filtre à eau est-il installé sur le réfrigérateur?** Le filtre peut être obstrué ou installé incorrectement.
- **Un système de filtration de l'eau à osmose inverse est-il connecté à votre canalisation d'eau froide?** Voir "Spécifications de l'alimentation en eau" soit dans les instructions d'installation soit dans le Guide d'utilisation et d'entretien.

---

#### De l'eau suinte du distributeur

---

**REMARQUE :** Il est normal de constater une ou deux gouttes d'eau après la distribution d'eau.

- **Le verre n'a pas été maintenu sous le distributeur assez longtemps?** Maintenir le verre sous le distributeur 2 à 3 secondes après avoir relâché le levier du distributeur.
- **S'agit-il d'une nouvelle installation?** Vidanger le système de distribution d'eau. Voir "Préparation du système d'eau" ou "Distributeurs d'eau et de glaçons".
- **Le filtre à eau a-t-il été récemment changé?** Vidanger le système de distribution d'eau. Voir "Préparation du système d'eau" ou "Distributeurs d'eau et de glaçons".

---

#### L'eau du distributeur n'est pas assez froide

---

**REMARQUE :** L'eau du distributeur est refroidie à seulement 50°F (10°C).

- **S'agit-il d'une nouvelle installation?** Attendre 24 heures après l'installation pour que l'alimentation d'eau refroidisse complètement.
- **Une grande quantité d'eau a-t-elle récemment été distribuée?** Attendre 24 heures pour que l'alimentation d'eau refroidisse complètement.
- **N'a-t-on pas récemment distribué de l'eau?** Le premier verre d'eau peut ne pas être froid. Jeter le premier verre d'eau.
- **Le réfrigérateur est-il branché à l'arrivée d'eau froide?** S'assurer que le réfrigérateur est branché à l'arrivée d'eau froide. Voir "Spécifications de l'alimentation en eau".

---

## ACCESSOIRES

Pour commander des filtres de rechange, composer le **1-800-442-9991** et demander le numéro de pièce indiqué ci-dessous ou contacter votre marchand autorisé KitchenAid. Au Canada, composer le **1-800-807-6777**.

**Nettoyant et poli pour acier inoxydable :**

Commander la pièce N° 4396920

**Cartouche du filtre de la base standard :**

Commander la pièce N° 4396509 (NL240V et L400V)

# FEUILLES DE DONNÉES SUR LE PRODUIT

## Système de filtration d'eau à la grille de la base



Produit testé et certifié par NSF International en vertu de la norme NSF/ANSI 42 (réduction du goût et de l'odeur du chlore, et particules (classe II\*)); et en vertu de la norme NSF/ANSI 53 (réduction de plomb, mercure, atrazine, benzène, toxaphène, p-dichlorobenzène, et carbofuran).

Ce produit a été testé selon les normes NSF/ANSI 42 et 53 pour la réduction des substances énumérées ci-dessous. La concentration des substances indiquées dans l'eau entrant dans le système a été réduite à une concentration moindre ou égale à la limite permmissible pour l'eau qui quitte le système, tel que spécifié dans les normes NSF/ANSI 42 et 53.

### Modèle WF-NL240V/NL240V Capacité 240 gallons (908 litres)

Réd. de substances Effets esthétiques	Critères de réduction NFS	Affluent moyen	Concentration dans l'eau à traiter	Effluent maximal	Effluent moyen	% de réd. minimale	% de réd. moyenne
Goût/odeur de chlore Particules (classe II*)	≥50 % ≥85 %	1,94 mg/L 833 333/mL	2,0 mg/L ± 10 % Au moins 10 000 particules/mL	0,05 mg/L 100 000/mL**	0,05 mg/L 40 667/mL	97,4 % 88,0 %	97,4 % 95,1 %
Réduction de contaminant	Critères de réduction NFS	Affluent moyen	Concentration dans l'eau à traiter	Effluent maximal	Effluent moyen	% de réd. minimale	% de réd. moyenne
Plomb : à pH 6,5 Plomb : à pH 8,5	0,01 mg/L 0,01 mg/L	0,15 mg/L*** 0,148 mg/L***	0,15 mg/L ± 10 % 0,15 mg/L ± 10 %	0,001 mg/L 0,003 mg/L	0,001 mg/L 0,001 mg/L	99,3 % 97,9 %	99,3 % 99,0 %
Mercure : à pH 6,5 Mercure : à pH 8,5	0,002 mg/L 0,002 mg/L	0,006 mg/L 0,0061 mg/L	0,006 mg/L ± 10 % 0,006 mg/L ± 10 %	0,0002 mg/L 0,0009 mg/L	0,0002 mg/L 0,00052 mg/L	96,60 % 85,2 %	96,6 % 91,8 %
Benzène	0,005 mg/L	0,014 mg/L	0,015 ± 10 %	0,0005 mg/L	0,0005 mg/L	96,06 %	96,06 %
p-dichlorobenzène	0,075 mg/L	0,235 mg/L	0,225 ± 10 %	0,0019 mg/L	0,0009 mg/L	99,1 %	99,6 %
Toxaphène	0,003 mg/L	0,014 mg/L	0,015 ± 10 %	0,0012 mg/L	0,001 mg/L	92,7 %	92,6 %
Carbofuran	0,04 mg/L	0,077 mg/L	0,080 ± 10 %	0,031 mg/L	0,0064 mg/L	61,03 %	91,94 %

### Modèle WF-L400V/L400V Capacité 400 gallons (1514 litres)

Réd. de substances Effets esthétiques	Critères de réduction NFS	Affluent moyen	Concentration dans l'eau à traiter	Effluent maximal	Effluent moyen	% de réd. minimale	% de réd. moyenne
Goût/odeur de chlore Particules (classe II*)	≥50 % ≥85 %	1,94 mg/L 833 333/mL	2,0 mg/L ± 10 % Au moins 10 000 particules/mL	0,05 mg/L 100 000/mL**	0,05 mg/L 40 667/mL	97,4 % 88,0 %	97,4 % 95,1 %
Réduction de contaminant	Critères de réduction NFS	Affluent moyen	Concentration dans l'eau à traiter	Effluent maximal	Effluent moyen	% de réd. minimale	% de réd. moyenne
Plomb : à pH 6,5 Plomb : à pH 8,5	0,01 mg/L 0,01 mg/L	0,15 mg/L*** 0,148 mg/L***	0,15 mg/L ± 10 % 0,15 mg/L ± 10 %	0,001 mg/L 0,003 mg/L	0,001 mg/L 0,0014 mg/L	99,3 % 97,9 %	99,3 % 99,3 %
Mercure : à pH 6,5 Mercure : à pH 8,5	0,002 mg/L 0,002 mg/L	0,0061 mg/L 0,0061 mg/L	0,006 mg/L ± 10 % 0,006 mg/L ± 10 %	0,0002 mg/L 0,0009 mg/L	0,0002 mg/L 0,00052 mg/L	96,60 % 85,2 %	96,6 % 91,8 %
Benzène	0,005 mg/L	0,014 mg/L	0,015 ± 10 %	0,0005 mg/L	0,0005 mg/L	96,06 %	96,06 %
p-dichlorobenzène	0,075 mg/L	0,235 mg/L	0,225 ± 10 %	0,0019 mg/L	0,0009 mg/L	99,1 %	99,6 %
Toxaphène	0,003 mg/L	0,014 mg/L	0,015 ± 10 %	0,0012 mg/L	0,001 mg/L	92,7 %	92,6 %
Carbofuran	0,04 mg/L	0,077 mg/L	0,080 ± 10 %	0,031 mg/L	0,0064 mg/L	61,03 %	91,94 %

■ Il est essentiel que les exigences de fonctionnement, d'entretien et de remplacement de filtre soient respectées pour que ce produit donne le rendement annoncé.

■ **Modèle WF-NL240V** : Remplacer la cartouche au moins à tous les 6 mois. Utiliser la cartouche de remplacement NL240V, pièce N° 4396509. Prix au détail suggéré 2008 de 35,95 \$US/ 59,95 \$CAN. Les prix sont sujets à des changements sans préavis.

**Modèle WF-L400V** : Le système de contrôle du filtre mesure la quantité d'eau qui passe par le filtre et vous signale quand remplacer le filtre. Lorsque 90 % de la vie utile du filtre est écoulée, le témoin lumineux du filtre passe du vert au jaune. Lorsque 100 % de la vie utile du filtre est écoulée, le témoin lumineux du filtre passe du jaune au rouge et il est recommandé de remplacer le filtre. Utiliser la cartouche de remplacement L400V, pièce N° 4396509. Prix au détail suggéré 2008 de 35,95 \$US/59,95 \$CAN. Les prix sont sujets à des changements sans préavis.

■ Le produit ne doit être utilisé que pour l'eau froide seulement.

\*Classe II - taille des particules : > 1 à <5 µm

\*\*Critère de test : au moins 100 000 particules/mL (poussière de test fine AC).

\*\*\*Ces contaminants ne sont pas nécessairement présents dans votre approvisionnement d'eau. Le rendement peut varier selon les conditions locales de l'eau.

® NSF est une marque déposée de NSF International.

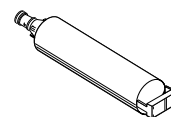
■ Ne pas utiliser pour le filtrage d'une eau microbiologiquement polluée ou de qualité inconnue en l'absence d'un dispositif de désinfection adéquat avant ou après le système.

■ Veuillez vous référer à la couverture ou à la section "Assistance ou service" pour le nom, l'adresse et le numéro de téléphone du fabricant.

■ Veuillez vous référer à la section "Garantie" pour la garantie limitée du fabricant.

### Directives d'application/ Paramètres d'approvisionnement en eau

Approvisionnement en eau	Collectivité ou puits
Pression d'eau	30 - 120 psi (207 - 827 kPa)
Température d'eau	33° - 100°F (0,6° - 37,8°C)
Débit nominal	0,5 gpm (1,9 L/min.) à 60 psi.



---

# GARANTIE DU RÉFRIGÉRATEUR KITCHENAID®

---

## GARANTIE LIMITÉE DE UN AN

Pendant un an à compter de la date d'achat, lorsque ce gros appareil ménager est utilisé et entretenu conformément aux instructions jointes à ou fournies avec le produit, KitchenAid ou KitchenAid Canada (ci-après désignées "KitchenAid") paiera pour les pièces spécifiées par l'usine et la main-d'œuvre pour corriger les vices de matériaux ou de fabrication. Le service doit être fourni par une compagnie de service désignée par KitchenAid.

Sur les modèles avec un filtre à eau : garantie limitée de 30 jours sur le filtre à eau. Pendant 30 jours à compter de la date d'achat, lorsque ce filtre est utilisé et entretenu conformément aux instructions jointes à ou fournies avec le produit, KitchenAid paiera pour les pièces de rechange pour corriger les vices de matériaux ou de fabrication.

---

## GARANTIE LIMITÉE DE LA DEUXIÈME À LA CINQUIÈME ANNÉE INCLUSIVEMENT SUR LA DOUBLURE DE LA CAVITÉ ET LES PIÈCES DU SYSTÈME DE RÉFRIGÉRATION SCÉLÉ

De la deuxième à la cinquième année inclusivement à compter de la date d'achat, lorsque ce gros appareil ménager est utilisé et entretenu conformément aux instructions jointes à ou fournies avec le produit, KitchenAid paiera pour le remplacement ou la réparation de la doublure de la cavité du réfrigérateur/congélateur (frais de main-d'œuvre inclus) si la pièce se fissure à cause de vices de matériaux ou de fabrication. De même, de la deuxième à la cinquième année inclusivement à partir de la date d'achat, KitchenAid paiera pour les pièces spécifiées par l'usine et la main-d'œuvre pour corriger les vices de matériaux ou de fabrication dans le système de réfrigération scellé. Il s'agit des pièces suivantes : compresseur, évaporateur, condenseur, séchoir et conduits de connexion. Le service doit être fourni par une compagnie de service désignée par KitchenAid.

---

## GARANTIE LIMITÉE DE LA SIXIÈME À LA DIXIÈME ANNÉE INCLUSIVEMENT SUR LES PIÈCES DU SYSTÈME DE RÉFRIGÉRATION SCÉLÉ

De la sixième à la dixième année inclusivement à compter de la date d'achat, lorsque ce gros appareil ménager est utilisé et entretenu conformément aux instructions jointes à ou fournies avec le produit, KitchenAid paiera pour les pièces spécifiées par l'usine pour corriger les vices de matériaux ou de fabrication dans le système de réfrigération scellé. Il s'agit des pièces suivantes : compresseur, évaporateur, condenseur, séchoir et conduits de connexion.

---

## GARANTIE LIMITÉE À VIE SUR LES BALCONNETS DE PORTE ET LES PORTE-CANETTES

Pendant la durée de vie du produit, lorsque ce gros appareil ménager est utilisé et entretenu conformément aux instructions jointes à ou fournies avec le produit, KitchenAid prendra en charge les frais de remplacement de tous les balconnets de porte SLIDE N LOCK™ et les porte-canettes SLIDE N LOCK™ en cas de vices de matériaux ou de fabrication.

---

## KITCHENAID NE PRENDRA PAS EN CHARGE

1. Les visites de service pour rectifier l'installation du gros appareil ménager, montrer à l'utilisateur comment utiliser l'appareil, remplacer ou réparer des fusibles ou rectifier le câblage ou la plomberie du domicile.
  2. Les visites de service pour réparer ou remplacer les ampoules électriques de l'appareil, les filtres à air ou les filtres à eau.
  3. Les réparations lorsque le gros appareil ménager est utilisé à des fins autres que l'usage unifamilial normal.
  4. Les dommages imputables à : accident, modification, usage impropre ou abusif, incendie, inondation, actes de Dieu, installation fautive ou installation non conforme aux codes d'électricité ou de plomberie, ou l'utilisation de produits non approuvés par KitchenAid.
  5. Toute perte d'aliments due à une défaillance du réfrigérateur ou du congélateur.
  6. Le coût des pièces de rechange et de la main-d'œuvre pour les appareils utilisés hors des États-Unis ou du Canada.
  7. Le ramassage et la livraison. Ce gros appareil ménager est conçu pour être réparé à domicile.
  8. Les réparations aux pièces ou systèmes résultant d'une modification non autorisée faite à l'appareil.
  9. Les frais de voyage ou de transport pour le service d'un produit dans les régions éloignées.
  10. La dépose et la réinstallation de votre appareil si celui-ci est installé dans un endroit inaccessible ou n'est pas installé conformément aux instructions d'installation fournies.
  11. Le coût des pièces de rechange et de la main-d'œuvre lorsque l'appareil est utilisé dans un pays autre que le pays où il a été acheté.
- 

## CLAUSE D'EXONÉRATION DE RESPONSABILITÉ AU TITRE DES GARANTIES IMPLICITES; LIMITATION DES RECOURS

LE SEUL ET EXCLUSIF RECOURS DU CLIENT DANS LE CADRE DE LA PRÉSENTE GARANTIE LIMITÉE CONSISTE EN LA RÉPARATION PRÉVUE CI-DESSUS. LES GARANTIES IMPLICITES, Y COMPRIS LES GARANTIES APPLICABLES DE QUALITÉ MARCHANDE ET D'APTITUDE À UN USAGE PARTICULIER, SONT LIMITÉES À UN AN OU À LA PLUS COURTE PÉRIODE AUTORISÉE PAR LA LOI. KITCHENAID N'ASSUME AUCUNE RESPONSABILITÉ POUR LES DOMMAGES FORTUITS OU INDIRECTS. CERTAINES JURIDICTIONS NE PERMETTENT PAS L'EXCLUSION OU LA LIMITATION DES DOMMAGES FORTUITS OU INDIRECTS, OU LES LIMITATIONS DE LA DURÉE DES GARANTIES IMPLICITES DE QUALITÉ MARCHANDE OU D'APTITUDE À UN USAGE PARTICULIER, DE SORTE QUE CES EXCLUSIONS OU LIMITATIONS PEUVENT NE PAS S'APPLIQUER DANS VOTRE CAS. CETTE GARANTIE VOUS CONFÈRE DES DROITS JURIDIQUES SPÉCIFIQUES ET VOUS POUVEZ ÉGALEMENT JOUIR D'AUTRES DROITS QUI PEUVENT VARIER D'UNE JURIDICTION À UNE AUTRE.

---

À l'extérieur du Canada et des 50 États des États-Unis, cette garantie ne s'applique pas. Contacter votre marchand KitchenAid autorisé pour déterminer si une autre garantie s'applique. 5/07

---

Pour des informations supplémentaires sur le produit, aux É.-U., visiter **www.kitchenaid.com**.

Au Canada, visiter **www.kitchenaid.ca**.

Si vous n'avez pas accès à Internet et que vous nécessitez une assistance pendant l'utilisation du produit ou que vous souhaitez prendre un rendez-vous, vous pouvez contacter KitchenAid au numéro ci-dessous.

*Ayez votre numéro de modèle à disposition. Vous pouvez trouver vos numéros de modèle et de série sur la plaque située sur la paroi interne du compartiment de réfrigération.*

Pour assistance ou service aux É.-U., composez le 1-800-422-1230. Au Canada, composez le 1-800-807-6777.

Si vous avez besoin de plus d'assistance, vous pouvez écrire à KitchenAid en soumettant toute question ou problème à l'adresse suivante :

Aux États-Unis :

KitchenAid Brand Home Appliances  
Customer eXperience Center  
553 Benson Road  
Benton Harbor, MI 49022-2692

Au Canada :

KitchenAid Brand Home Appliances  
Centre d'interaction avec la clientèle  
1901 Minnesota Court  
Mississauga, Ontario L5N 3A7

Dans votre correspondance, veuillez indiquer un numéro de téléphone où l'on peut vous joindre dans la journée.

Veuillez conserver le manuel de l'utilisateur et le numéro de modèle pour référence ultérieure.

**W10162454A**

**SP PN W10162455A**

© 2008. All rights reserved.  
Tous droits réservés.

© Registered Trademark/TM Trademark of KitchenAid, U.S.A., KitchenAid Canada licensee in Canada  
© Marque déposée/TM Marque de commerce de KitchenAid, U.S.A., Emploi sous licence par KitchenAid Canada au Canada

2/08  
Printed in U.S.A.  
Imprimé aux É.-U.

## Free Manuals Download Website

<http://myh66.com>

<http://usermanuals.us>

<http://www.somanuals.com>

<http://www.4manuals.cc>

<http://www.manual-lib.com>

<http://www.404manual.com>

<http://www.luxmanual.com>

<http://aubethermostatmanual.com>

Golf course search by state

<http://golfingnear.com>

Email search by domain

<http://emailbydomain.com>

Auto manuals search

<http://auto.somanuals.com>

TV manuals search

<http://tv.somanuals.com>