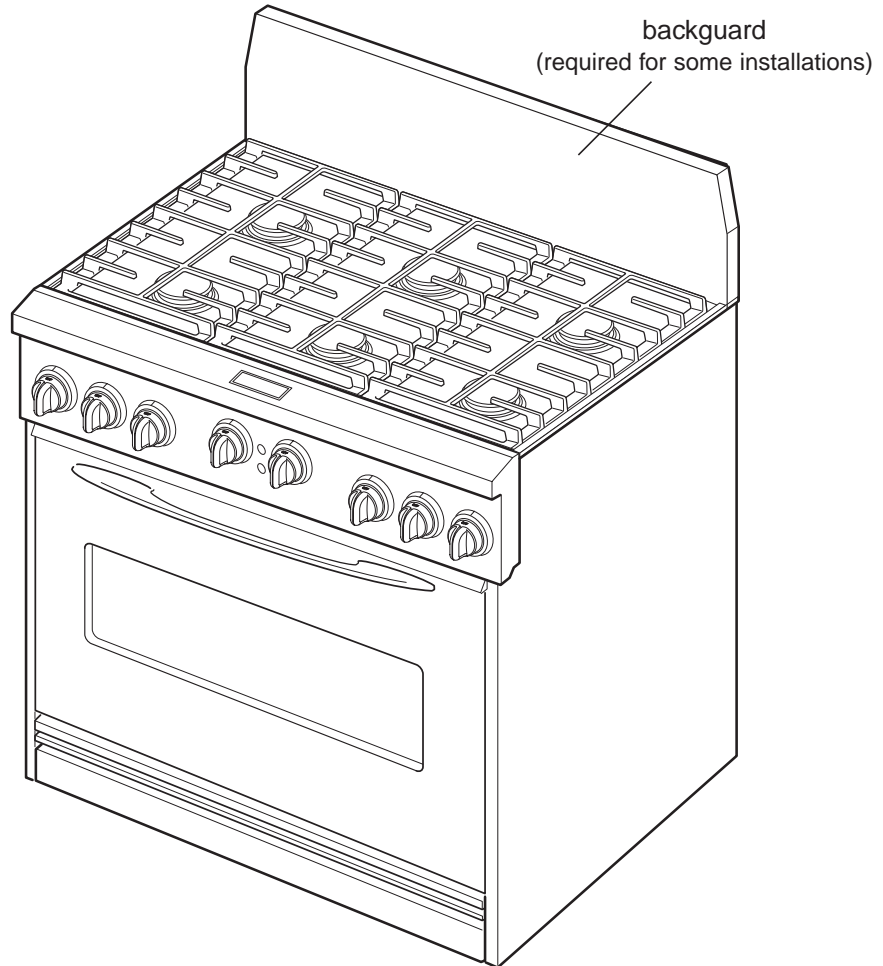


Installation Instructions

36" (91.4 cm) Commercial Style Dual Fuel Range with self-cleaning thermal/convection oven for residential use only



⚠ WARNING



Tip Over Hazard

A child or adult can tip the range and be killed.

Connect anti-tip bracket to wall behind range.

Reconnect the anti-tip bracket, if the range is moved.

Failure to follow these instructions can result in death or serious burns to children and adults.

KitchenAid[®]
FOR THE WAY IT'S MADE[®]

Questions regarding features, operation, performance, parts or service? Call 1-800-422-1230 or visit our web site at www.kitchenaid.com.

IMPORTANT: Read and save these instructions.

IMPORTANT:

Installer: Leave Installation Instructions with the homeowner.

Homeowner: Keep Installation Instructions for future reference. Save Installation Instructions for local electrical inspector's use.

Write down the model and serial numbers before installing range.

Both numbers are on the model/serial rating plate, located on the surface below the control panel.

Model # _____

Serial # _____

Part No. 8301169 Rev. A

Before you start...

Your safety and the safety of others are very important.

We have provided many important safety messages in this manual and on your appliance. Always read and obey all safety messages.



This is the safety alert symbol.

This symbol alerts you to potential hazards that can kill or hurt you and others.

All safety messages will follow the safety alert symbol and either the word "DANGER" or "WARNING".

These words mean:

DANGER

You can be killed or seriously injured if you don't **immediately** follow instructions.

WARNING

You can be killed or seriously injured if you don't follow instructions.

All safety messages will tell you what the potential hazard is, tell you how to reduce the chance of injury, and tell you what can happen if the instructions are not followed.

IMPORTANT: Observe all governing codes and ordinances.

WARNING: If the information in this manual is not followed exactly, a fire or explosion may result causing property damage, personal injury or death.

- **Do not store or use gasoline or other flammable vapors and liquids in the vicinity of this or any other appliance.**
- **WHAT TO DO IF YOU SMELL GAS**
 - **Do not try to light any appliance.**
 - **Do not touch any electrical switch.**
 - **Do not use any phone in your building.**
 - **Immediately call your gas supplier from a neighbor's phone. Follow the gas supplier's instructions.**
 - **If you cannot reach your gas supplier, call the fire department.**
- **Installation and service must be performed by a qualified installer, service agency or the gas supplier.**

NOTE: The range cooktop is manufactured for use with Natural gas. To convert to L.P./Propane gas, see the Gas Conversion instructions provided in literature package.

Proper gas and electrical supply connections must be available. See "Gas supply requirements," Page 4 and "Electrical requirements," Page 5.

IMPORTANT: Observe all governing codes and ordinances.

Do not obstruct flow of combustion and ventilation air.

Proper installation is your responsibility. Have a qualified technician install this range. Make sure you have everything necessary for correct installation. It is the installer's responsibility to comply with the installation clearances specified on the gas information label. The gas information label and model/serial rating plate are located on the surface below the control panel.

This installation must conform with all local codes and ordinances. In the absence of local codes, installation must conform with American National Standard, National Fuel Gas Code ANSI Z223.1 — latest edition* or CAN/CGA — B149 — latest edition* installation codes.

It is the customer's responsibility:

- To contact a qualified electrical installer.
- To assure that electrical installation is adequate and in conformance with National Electrical Code, ANSI/NFPA 70 — latest edition**, or CSA Standard, C22.1 Canadian Electrical Code, Part 1 — latest edition*, and all local codes and ordinances.

Cabinet opening dimensions shown must be used. Given dimensions are minimum clearances.

When installing a range under existing cabinets and installation does not meet the minimum cabinet clearances, install a range hood above the range to avoid burn hazards.

NOTE: Some cabinet and building materials are not designed to withstand the heat produced by the oven for baking and self-cleaning. Check with your builder or cabinet supplier to make sure that the materials used will not discolor, delaminate or sustain other damage.

All openings in the wall or floor where the range is to be installed must be sealed.

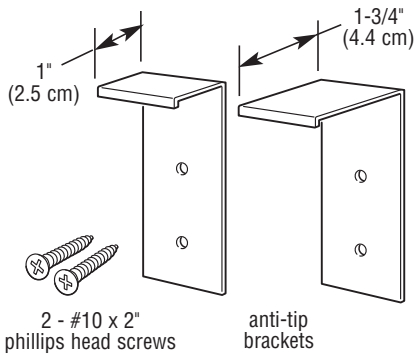
It is recommended that a range hood be installed above this range.

Copies of the standards listed may be obtained from:

* CSA International
8501 East Pleasant Valley Road
Cleveland, Ohio 44131-5575

** National Fire Protection Association
One Batterymarch Park
Quincy, Massachusetts 02269

Parts supplied for installation



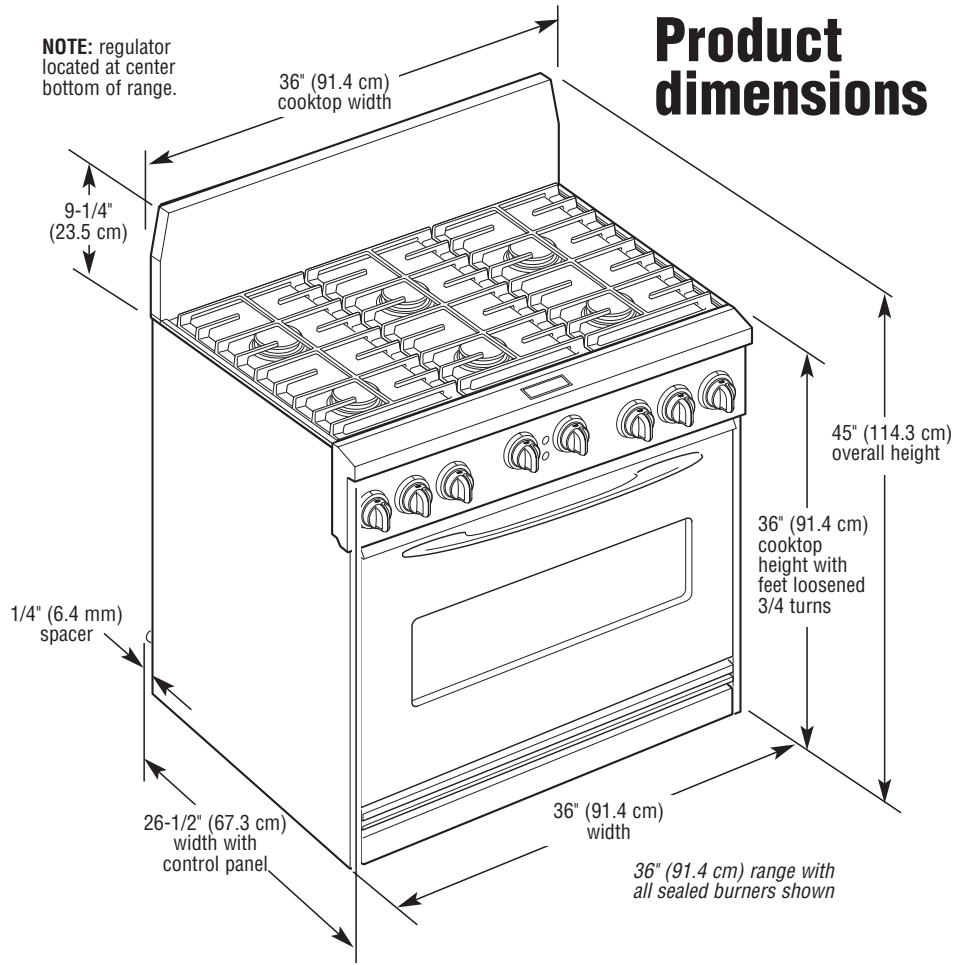
- Anti-tip bracket must be securely attached to a wall stud. Thickness of finished wall may require using longer screws to anchor the bracket.

- L.P. conversion kit is included in literature package.

- Backguard and island trim. The backguard included with the range must be installed when a standard 24" (61 cm) deep base cabinet is used and there is zero clearance between the back edge of range and combustible rear wall.

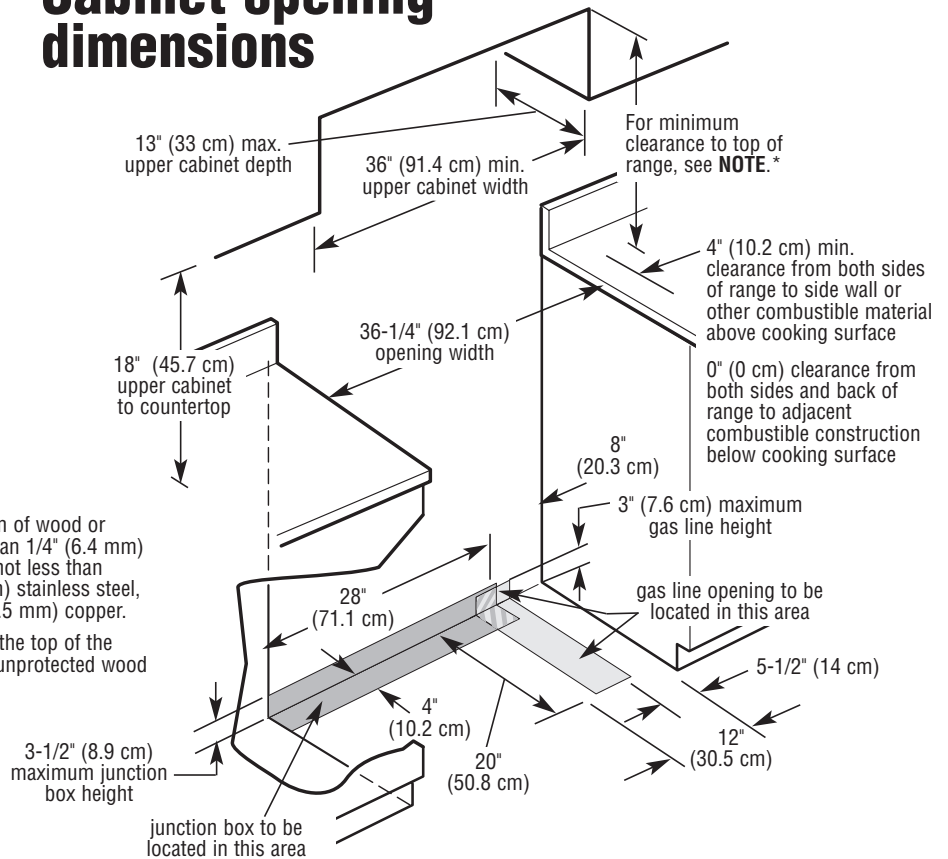
For island installations or other installations with more than 5" (12.7 cm) clearance to back wall, use the optional stainless steel island trim, included with the range, to cover the backguard mounting flanges.

NOTE: regulator located at center bottom of range.



Product dimensions

Cabinet opening dimensions



*NOTE: 42" (106.7 cm) min. when bottom of wood or metal cabinet is protected by not less than 1/4" (6.4 mm) flame retardant millboard covered with not less than No. 28 MSG sheet steel, 0.015" (0.4 mm) stainless steel, 0.024" (0.6 mm) aluminum or 0.020" (0.5 mm) copper.

48" (121.9 cm) min. clearance between the top of the cooking platform and the bottom of an unprotected wood or metal cabinet.

Gas supply requirements

⚠ WARNING



Explosion Hazard

Use a new AGA or CSA approved gas supply line.

Install a shutoff valve.

Securely tighten all gas connections.

If connected to LP, have a qualified person make sure gas pressure does not exceed 14" (35.6 cm) water column.

Examples of a qualified person include:

Licensed heating personnel, Authorized gas company personnel, and Authorized service personnel.

Failure to do so can result in death, explosion, or fire.

Observe all governing codes and ordinances.

IMPORTANT: Range cooktop must be connected to a regulated gas supply.

A. This installation must conform with local codes and ordinances. In the absence of local codes, installations must conform with American National Standard, National Fuel Gas Code ANSI Z223.1 — latest edition* or CAN/CGA-B149 — latest edition* installation codes.

B. Input ratings shown on the model/serial rating plate are for elevations up to 2,000 feet (610 m). For elevations above 2,000 feet (610 m), ratings are reduced at a rate of 4% for each 1,000 feet (305 m) above sea level. (Not applicable for Canada.)

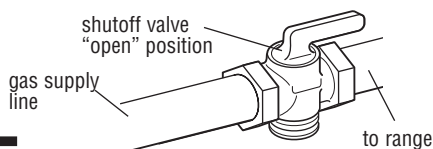
C. The range is equipped for use with NATURAL gas. It is design-certified by International Approval Services (I.A.S.) for NATURAL and L.P. gases with appropriate conversion. The model/serial rating plate, located on the surface below the control panel, has information on the type of gas that can be used. If this information does not agree with the type of gas available, check with the local gas supplier.

L.P. Gas:

No attempt shall be made to convert the cooktop from the gas specified on the model/serial rating plate for use with a different gas without consulting the serving gas supplier. Conversion must be done by a qualified service technician. To convert to L.P. gas, use L.P. gas conversion kit part no. 8301439. The parts for this kit are in the literature package supplied with range.

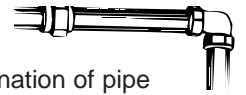
D. Provide a gas supply line of 3/4" (1.9 cm) rigid pipe to the range location. A smaller size pipe on long runs may result in insufficient gas supply. Pipe-joint compounds, appropriate for use with L.P. gas, must be used. With L.P. gas, piping or tubing size can be 1/2" (1.3 cm) minimum. L.P. gas suppliers usually determine the size and materials used on the system.

E. If local codes permit, a new AGA or CSA design-certified, 4-5 foot (122-152.4 cm) long, 5/8" (1.6 cm) I.D., flexible metal appliance connector is recommended for connecting this range to the gas supply line. Do not kink or damage the flexible tubing when moving the range. A 1/2" (1.3 cm) male pipe thread is needed for connection to pressure regulator female pipe threads.



F. The supply line shall be equipped with an approved shutoff valve. This valve should be located in the same room, but external to the range, and should be in a location that allows ease of opening and closing. Do not block access to the shutoff valve.

G. If rigid pipe is used as a gas supply line, a combination of pipe fittings must be used to obtain an in-line connection to the range. All strains must be removed from the supply and fuel lines so range will be level and in line.



H. The regulator must be checked at a minimum 1-inch (25.4 mm) water column above the set pressure. The inlet pressure to the regulator should be as follows for operation and checking the regulator setting:

NATURAL GAS:

Manifold pressure –
5 inches (12.7 cm) W.C.
Maximum pressure –
14 inches (35.6 cm) W.C.

L.P. GAS:

Manifold pressure –
10 inches (25.4 cm) W.C.
Maximum pressure –
14 inches (35.6 cm) W.C.

I. Line pressure testing:
Testing above 1/2 psi (3.5 kPa) (gauge):
The range and its individual shutoff valve must be disconnected from the gas supply piping system during any pressure testing of that system at test pressures greater than 1/2 psig (3.5 kPa).

Testing at 1/2 psi (3.5 kPa) (gauge) or lower: The range must be isolated from the gas supply piping system by closing its individual manual shutoff valve during any pressure testing of the gas supply piping system at test pressures equal to or less than 1/2 psig (3.5 kPa).

Copies of the standards listed may be obtained from:

* CSA International
8501 East Pleasant Valley Road
Cleveland, Ohio 44131-5575

Electrical requirements

If codes permit and a separate ground wire is used, it is recommended that a qualified electrician determine that the ground path and wire gauge are in accordance with local codes.

Do not ground to a gas pipe.

Check with a qualified electrician if you are not sure the range is properly grounded.

Do not have a fuse in the neutral or ground circuit.

This range must be connected to a grounded metal, permanent wiring system.

A. A four-wire or three-wire, single phase, 240-volt, 60-Hz, AC-only electrical supply is required on a separate, 30-ampere circuit, fused on both sides of the line. A time-delay fuse or circuit breaker is recommended. The fuse size must not exceed the circuit rating of the range specified on the model/serial rating plate located on the horizontal surface below the control panel.

B. Wire sizes and connections must conform to the requirements of the National Electrical Code ANSI/NFPA 70 – latest edition*, or CSA Standards C22.1-94, Canadian Electrical Code, Part 1 and C22.2 No. 0-M91 - latest edition** and all local codes and ordinances.

C. The range should be connected directly to the fused disconnect or circuit breaker box through flexible, armored or non-metallic sheathed, copper cable. The flexible, armored cable extending from the fuse box or circuit breaker box should be connected directly to the junction box.

D. Locate the junction box to allow as much slack as possible between the junction box and the range so that the range can be moved if servicing is ever necessary. Do not cut the conduit.

E. A U.L.- or CSA-listed conduit connector must be provided at each end of the power supply cable (at the cooktop and at the junction box).

F. Connection at connection block must be copper wire only.

If the house has aluminum wiring, follow the procedure below:

a) Connect the aluminum wiring to the copper wiring using special connectors designed and Underwriters Laboratories-listed for joining copper to aluminum. Follow the electrical connector manufacturer's recommended procedure.

b) Aluminum/copper connection must conform with local codes and industry-accepted wiring practices.

Copies of the standards listed may be obtained from:

* National Fire Protection Association
One Batterymarch Park
Quincy, Massachusetts 02269

** CSA International
8501 East Pleasant Valley Road
Cleveland, Ohio 44131-5575

Installation

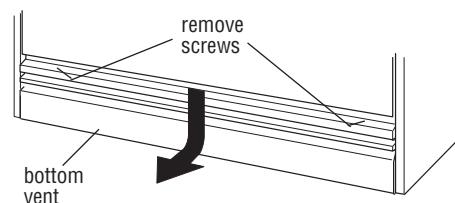
! WARNING

Excessive Weight Hazard

Use two or more people to move and install range.

Failure to do so can result in back or other injury.

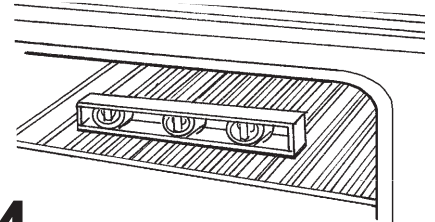
1. Put on safety glasses and gloves. Remove shipping materials, tape and protective film from range. Keep shipping pallet under range. Unpack the burner grates, burner caps, simmer plate, grille grate, drip tray, spill guard, wave tray, wave plate, tile bezels, regulator, backguard and island trim. Items are either packaged in the range or on the range. Parts shipped with range depend on model ordered.



2. Remove the bottom vent by removing the 2 screws on each side of the top of the bottom vent. Slide the vent

down and pull toward you. Carefully lay this part to the side to avoid scratching the stainless steel.

3. Lay a piece of cardboard from side packing on the floor behind range. Using 2 people, firmly grasp each side of range. Lift range up about 3 inches (8 cm) and move it back until the range is off shipping pallet. Set range on cardboard to avoid damaging floor.



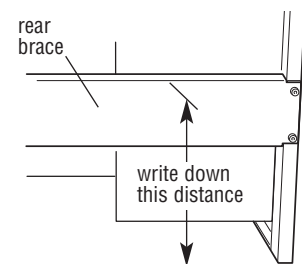
4. Carefully move range close to the cabinet opening. Place the rack in oven. Place level on rack, first side to side; then front to back.



If the range is not level, adjust the feet up or down. Turn leveling leg sleeves to level range and to raise or lower range to the desired countertop height.

5. Choose the correct bracket for your installation.

- If the wall behind the range has no baseboard or a baseboard up to 3/8" (9.5 mm) thick, use the shorter 1" (2.5 cm) anti-tip bracket.
- If the wall behind the range has a baseboard thicker than 3/8" (9.5 mm), use the longer 1-3/4" (4.4 cm) anti-tip bracket.



Locate a stud in wall behind range. Measure distance from top of rear brace to floor. Add 5/16" (7.9 mm) to measurement to allow anti-tip bracket to slide over rear brace. Use this final measurement and mark a horizontal line on wall where stud is located.

⚠ WARNING



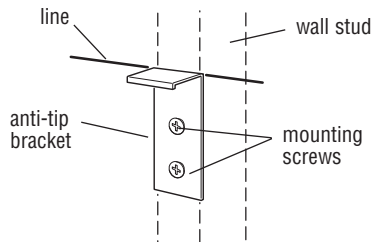
Tip Over Hazard

A child or adult can tip the range and be killed.

Connect anti-tip bracket to wall behind range.

Reconnect the anti-tip bracket, if the range is moved.

Failure to follow these instructions can result in death or serious burns to children and adults.



- 6.** Position top of anti-tip bracket at line marked in step 5 and mark holes. Drill two 1/8" (3 mm) holes. Use screws provided to fasten anti-tip bracket to wall.

NOTE: Anti-tip bracket must be mounted securely to stud in wall behind the range. Depending on thickness of the wall covering, longer screws may be required.

- 7.** Make electrical connection.

If your house has aluminum wiring, see "Electrical requirements" page 5.

⚠ WARNING



Electrical Shock Hazard

Disconnect power before servicing.

Use 8 gauge copper wire.

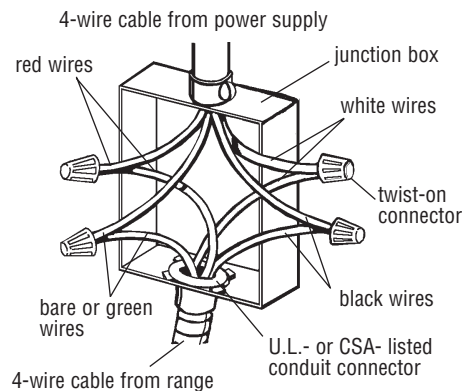
Electrically ground range.

Failure to follow these instructions can result in death, fire, or electrical shock.

This range must be connected to a grounded, metallic permanent wiring system or a ground connector should be connected to the ground terminal or wire lead on the range.

This range is manufactured with a frame-connected, green or bare ground wire factory-cripped to the neutral (white) wire. Connect the range cable to the junction box through the U.L.- or CSA-listed conduit connector. Complete electrical connection according to local codes and ordinances.

- 7A.** Where local codes Do Not permit connecting the frame-ground conductor to the neutral (white) junction box wire (also used for Canadian installations):



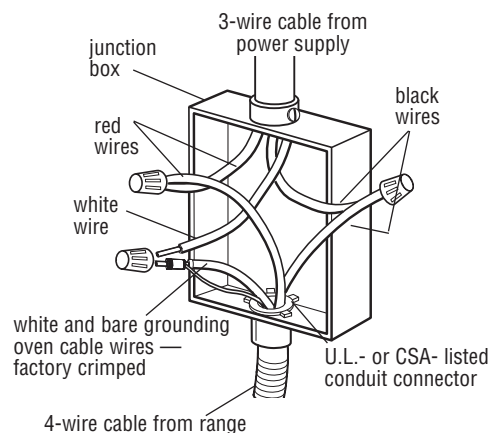
Ungrounded neutral

Figure 1

1. Disconnect power supply.
2. Connect the flexible, armored cable from the range to the junction box using a U.L.- or CSA-listed conduit connector. Tighten screws on conduit connector.

3. Connect the two black wires together; and the two red wires together using twist-on connectors. (See Figure 1.)
4. Separate the factory-cripped bare and white range cable wires.
5. Connect the two white wires together using twist-on connector.
6. Connect the bare ground wire from the range cable to the grounded wire in the junction box or other grounded connector using twist-on connector. (See Figure 1.) Do not connect bare ground wire to neutral (white) wire in junction box.

- 7B.** Where local codes permit connecting the frame-ground conductor to the neutral (white) junction box wire (not used for Canadian installations):

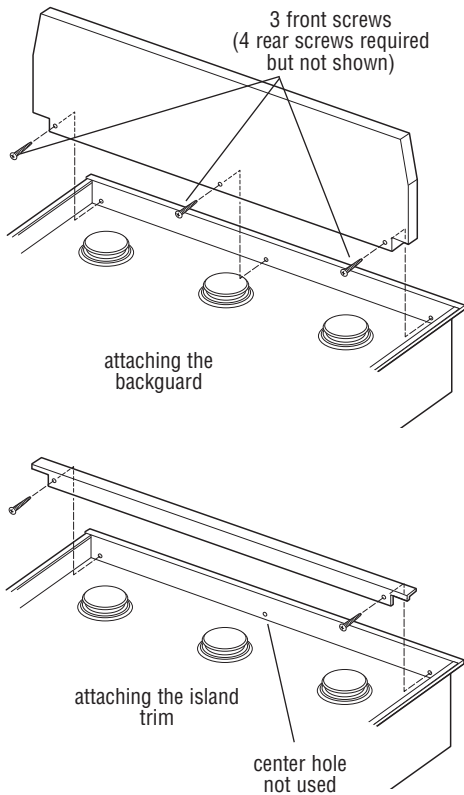


Grounded neutral

Figure 2

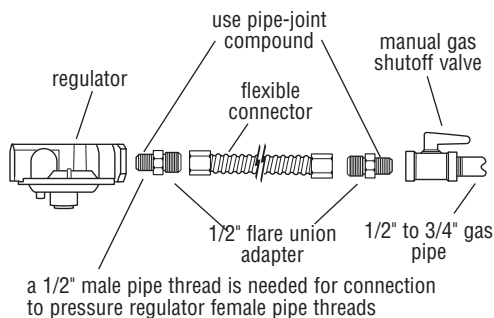
1. Disconnect power supply.
2. Connect the flexible, armored cable from the range to the junction box using a U.L.- or CSA-listed conduit connector. Tighten screws on conduit connector.
3. Connect the two black wires together; the two red wires together; and the factory-cripped bare and white cooktop cable wires to the white (neutral) wire in the junction box using twist-on connectors. (See Figure 2.)

- 8.** Remove cardboard or hardboard from under range.

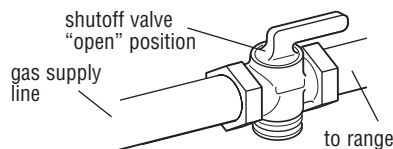


- 9.** Attach the backguard or island trim as required for your installation. Attachment screws are in the literature package.

- 10.** Slide range completely back so anti-tip bracket is over rear brace of range.



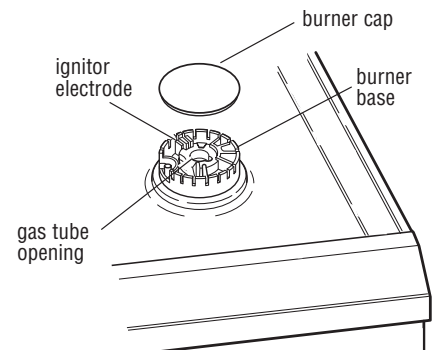
- 11.** Make gas connection. Assemble flexible connector from gas supply pipe to pressure regulator located in the middle front of the range. Apply pipe-joint compound made for use with L.P. gas to the smaller thread ends of the flexible connector adapters. Attach one adapter to the pressure regulator elbow and the other adapter to the gas shutoff valve. Tighten both adapters.



- 12.** Open manual shutoff valve in gas supply line. Wait a few minutes for gas to move through the line.

- 13.** Leak testing of the appliance shall be conducted according to the following instructions:

Use a brush and liquid detergent to test all gas connections for leaks. Bubbles around connections will indicate a leak. If a leak appears, shut off gas valve controls and adjust connections. Then check connections again. Clean all detergent solution from range.



- 14.** Put a burner cap on each burner base. Place burner grates over burner bases and caps.

If your model has only surface burners (no grille or griddle), go to "Check the operation of the surface burners, grille and griddle" on Page 9.

If your model was shipped with a grille or griddle, go to "Installing the grille or griddle" on Page 8 to complete the installation.

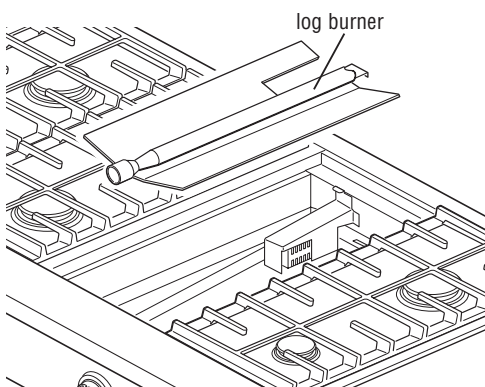
- 15.** Turn on power supply. "PF" should appear in the clock display. (Refer to your Use and Care Guide for instructions on using the electronic control.)

Installing the grille or griddle.

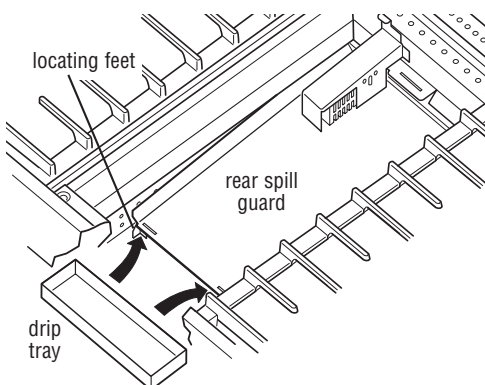
Grille installation: Go to Step 16.

Griddle installation: The griddle is factory installed. To complete the installation, go to Step 17.

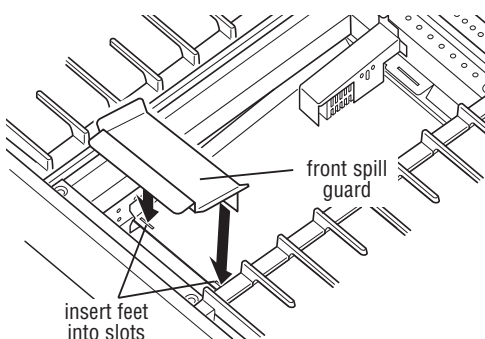
16. Installing the grille:



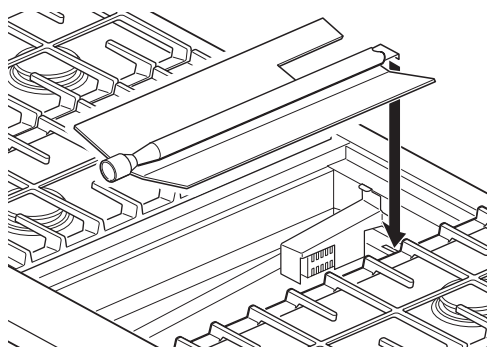
A. Lift the log burner up out of the bay and set aside.



B. Place drip tray on bottom of grille bay and slide the tray forward so that it is located side-to-side and against the locating feet of the rear spill guard.



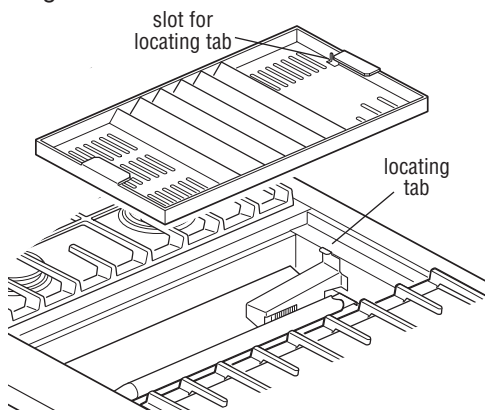
C. Insert the front spill guard feet into the slots in the rear spill guard as shown. The rear flange will rest on the burner box.



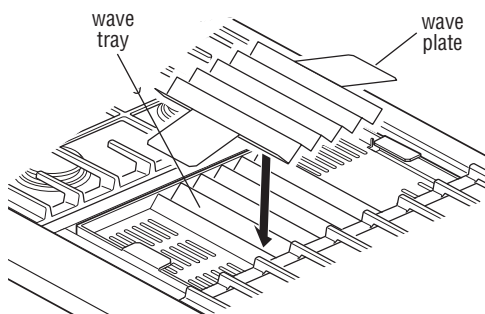
D. Reinstall the log burner. Make sure burner's rear flange is seated in slot.

E. Plug power supply cord into grounded outlet.

F. Check the surface burner and grille flames. Before completing the grille installation, go to "Check the operation of the surface burners, grille and griddle" on Page 9.



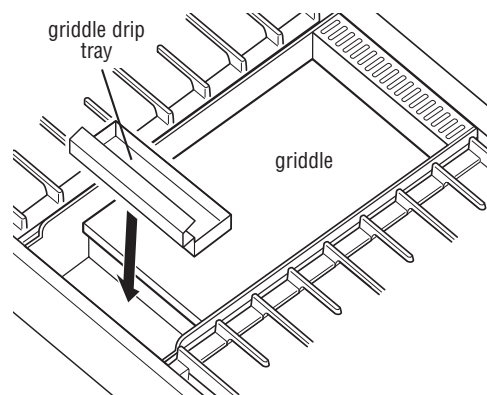
G. Install the wave tray into the grille bay. The tab in the left rear corner of the bay must fit through the slot in the left rear corner of the wave tray.



H. Place the wave plate on the wave tray as shown. The wave plate must be centered on the wave tray.

I. Install the grille grate.

17. Completing the griddle installation:



A. Place drip tray in the well at the front of the griddle. Slide tray forward until it stops.

B. Refer to the Use and Care Guide that came with your Cooktop for instructions on cleaning and seasoning the griddle before using.

C. Plug power supply cord into grounded outlet.

D. Check the surface burner and griddle flames. Go to "Check the operation of the surface burners, grille and griddle" on Page 9.

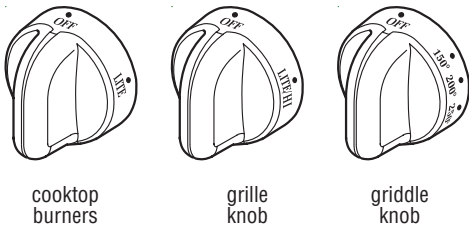
Check the operation of the surface burners, grille and griddle.

18.

Electronic Ignition System — initial lighting

Surface burners use electronic igniters in place of standing pilots. When the cooktop control knob is pushed in and turned to the “LITE” position, the system creates a spark to light the burner. This sparking continues until the control knob is turned to the desired setting.

The grille and griddle burner use an ignitor glow bar that is either on or off in place of standing pilots. When the glow bar is hot, it sends a signal back to the safety valve which opens allowing gas to flow.



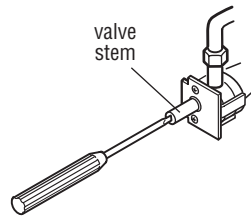
A. Push in and turn the surface burners and grille control knobs to “LITE” position. For griddles, turn the griddle control knob to a temperature degree mark (300F° recommended). The surface burner flame should light within 4 seconds and the grille and griddle flame in 30-40 seconds.

NOTE: The griddle flame cannot be seen, but you should hear it ignite and feel heat from the griddle.

After lighting the burners, turn the control knobs to “OFF”.

If burners do not light properly, turn control knob to the “OFF” position. Check that burner cap is in the proper position. Check that circuit breaker or house fuse has not blown. Check that the shutoff valve is in the “ON” position. Check operation again.

If a surface burner, grille or griddle does not light at this point, contact your KitchenAid dealer for assistance.



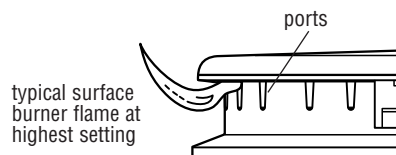
B. Adjusting the surface burner or grille flame:

NOTE: There is no adjustment for the griddle flame. Gas flow is at 100%, temperature is controlled by thermostat.

Push in and turn each control knob to the “LO” position. The “LO” setting of each burner has been factory set to the lowest position available to provide reliable reignition of the burner. If it does not stay lit on the “LO” position, check “LO” position as follows:

- Turn control knob to “LITE” until burner ignites.
- Quickly turn control knob down to “LO” position.
- If burner goes out, readjust valve as follows:

Remove control knob. Insert a flat-blade screwdriver into the hollow valve stem and engage the slotted screw. Flame size can be increased or decreased by turning the screw. Adjust flame until you can quickly turn control knob from “HI” to “LO” position without extinguishing the flame. Flame should be as small as possible without going out.



C. Check flame on “HI” for a blue color. It should be clean and soft in character. No yellow tip, blowing or lifting of flame should occur. Occasional orange flashes are normal and reflect different elements in the air or gas.

19. Check operation of oven element. Turn oven selector to “BAKE”. “350F” will show on display. Press “Enter”. First Preheat light comes on when oven temperature begins to rise. When second Preheat light comes on, open oven door and hold hand above oven floor and feel for heat. Do not touch oven floor. Press “Cancel” and turn oven selector to “Reset”.

20. Check the operation of the broiler element. Turn oven selector to “BROIL”. “HI” will show on display. Press “Enter”. Look through oven window. The top element should glow red and heat should be radiating out of the door. Press “Cancel” and turn oven selector to “Reset”.

If the oven does not operate, check that power supply is turned on, that no fuses are blown, or circuit breakers tripped. If the oven still does not operate, contact your KitchenAid dealer or designated service company.

21. Reinstall lower vent by inserting tabs into the slots on the front trim. Push vent upward until the holes line up at top of vent. Reattach the vent using the two screws.

22. Place burner grates over burner caps. The simmer plate may set on one of the grates or be stored for future use. (See Use and Care Guide.)

To get the most efficient use from your new dual fuel range, read your KitchenAid Use and Care Guide. Keep Installation Instructions and Guide close to the range for easy reference.

Installer checkoff list

RANGE

- Range correctly positioned in countertop cutout.
- Maintained specified distances to cabinet surfaces.
- Range level – front to back – side to side.
- Burner caps positioned properly on sealed burner bases.
- All packing material removed.
- Backguard or island trim attached (see page 3).
- Depending on model, grille parts correctly assembled.
- Depending on model, griddle parts correctly assembled.

GAS SUPPLY

- The range is connected only to type of gas for which it is certified for use.

If range does not operate

- Check that the circuit breaker is not tripped or the house fuse blown.
- Check that gas valves are turned to the “ON” position.
- See Use and Care Guide for troubleshooting list.

If you need assistance

The KitchenAid Customer Interaction Center will answer any questions about operating or maintaining your range not covered in the Installation Instructions. The KitchenAid Customer Interaction Center is open 24 hours a day, 7 days a week. Just dial 1-800-422-1230 — the call is free within the continental United States, or visit our web site at www.kitchenaid.com.

When you call, you will need the range model number and serial number. Both numbers can be found on the model/serial rating plate located on the surface below the control panel.

If you need service

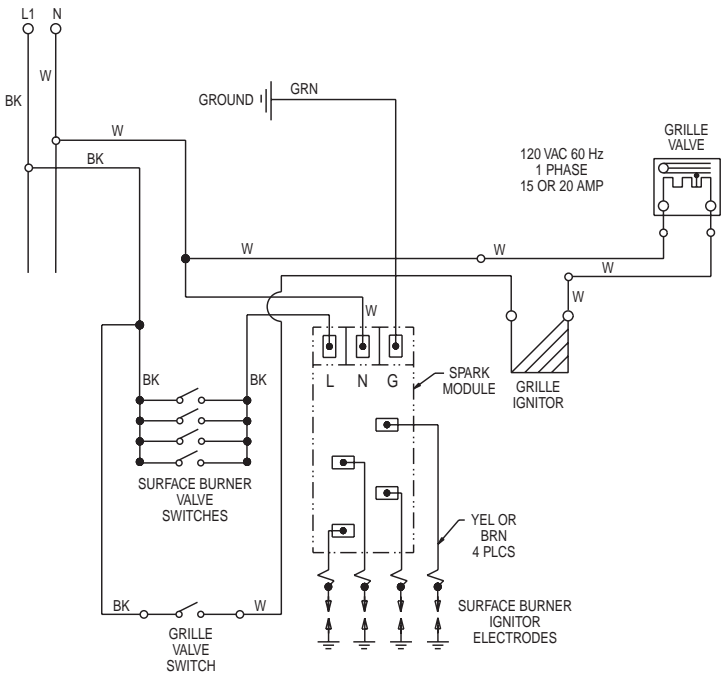
In the event that your KitchenAid appliance should need service, call the dealer from whom you purchased the appliance or a KitchenAid-designated service company. A KitchenAid-designated service company is listed in the Yellow Pages of your telephone directory under “Appliances — Household — Major — Service and Repair.”

You can also obtain the service company's name and number by dialing, free within the continental United States, the KitchenAid Customer Interaction Center telephone number, 1-800-422-1230. A special operator will tell you the name of your nearest KitchenAid-designated service company.

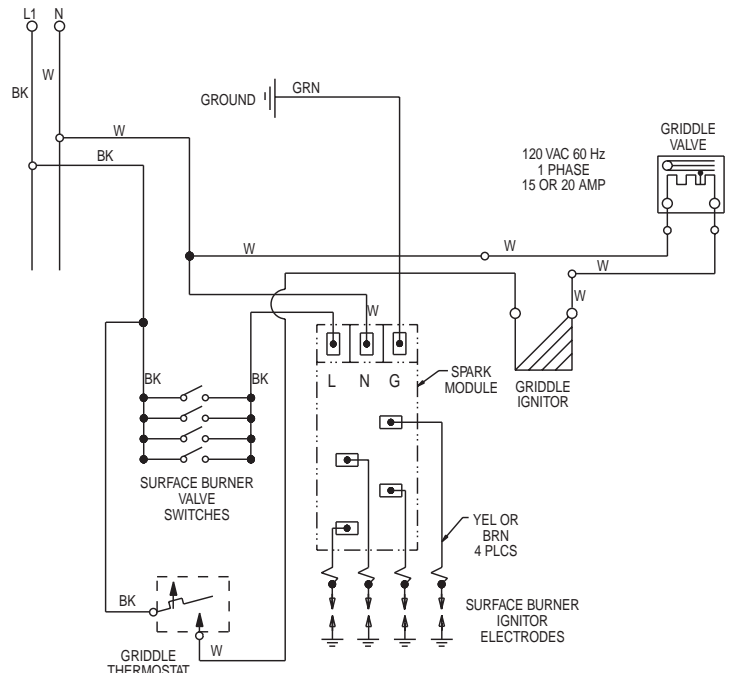
Maintain the quality built into your KitchenAid appliance — call a KitchenAid-designated service company.

Maintenance

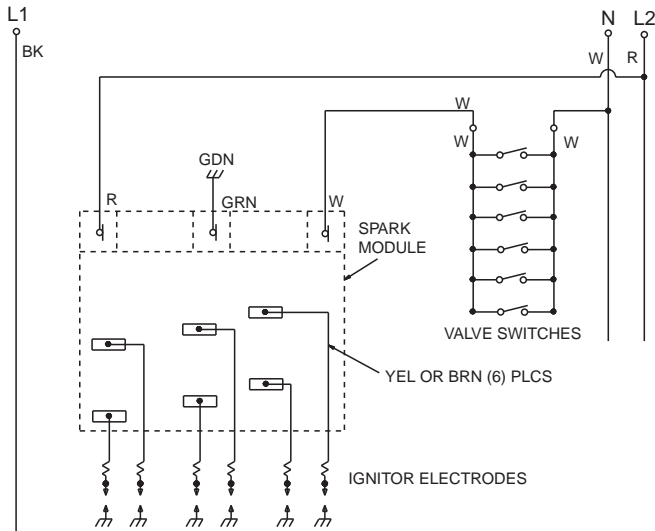
If removing the range is necessary for maintenance, shut off gas supply. Disconnect the gas and electric supply. Finish removing the range.



Cooktop schematic with grille

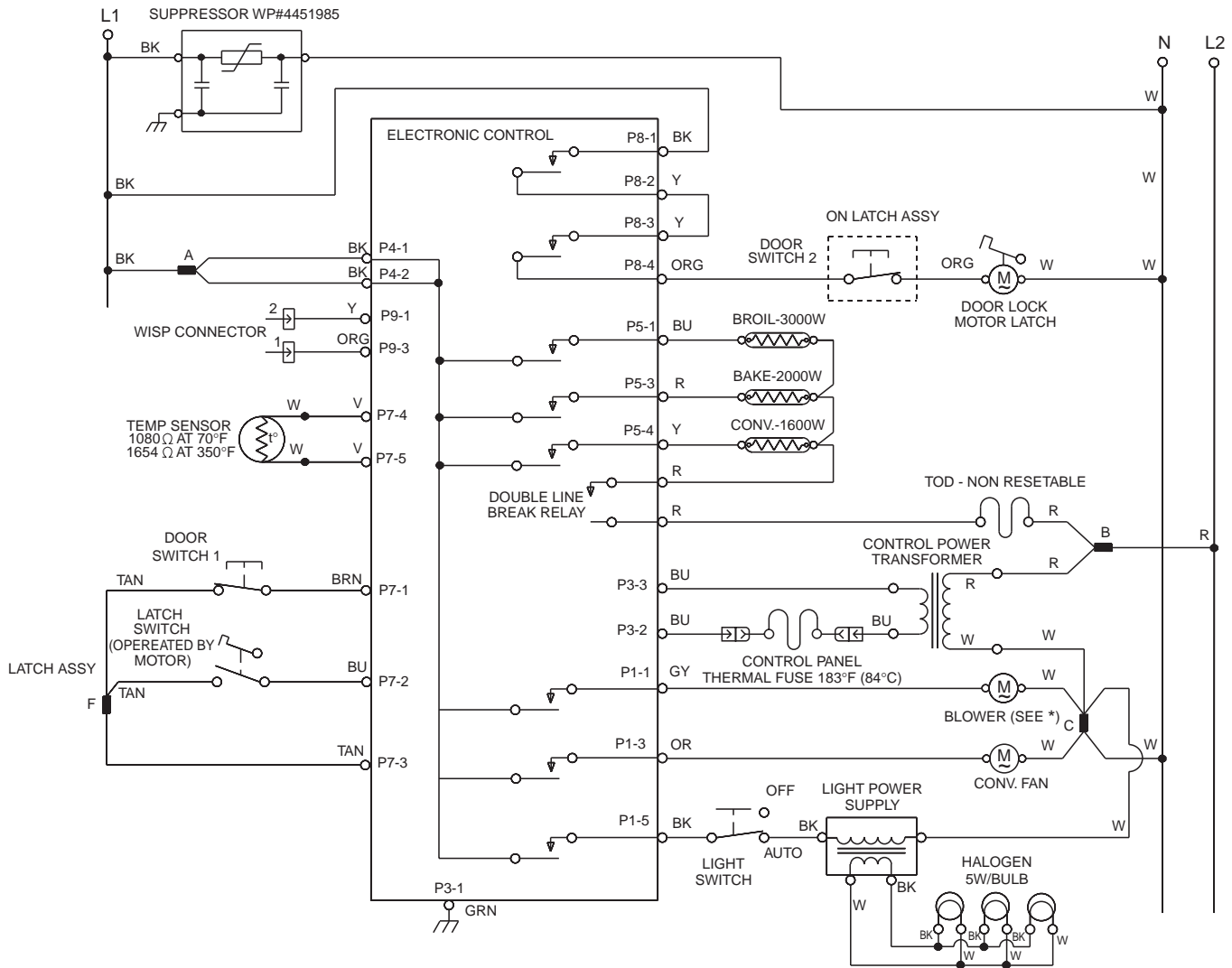


Cooktop schematic with griddle



Cooktop schematic

Oven schematic



(*). BLOWER REMAINS OFF UNTIL OVEN REACHES 190°F (88°C) AND MAY CONTINUE RUNNING UP TO 45 MINUTES AFTER OVEN HAS TURNED OFF.

NOTE: CIRCUIT SHOWN IN STANDBY/OFF MODE WITH OVEN DOOR CLOSED.

Part No. 8301169 Rev. A
© 2003 KitchenAid.
® Registered Trademark/Trademark of
KitchenAid U.S.A., KitchenAid
Canada licensee in Canada

KitchenAid®
HOME APPLIANCES

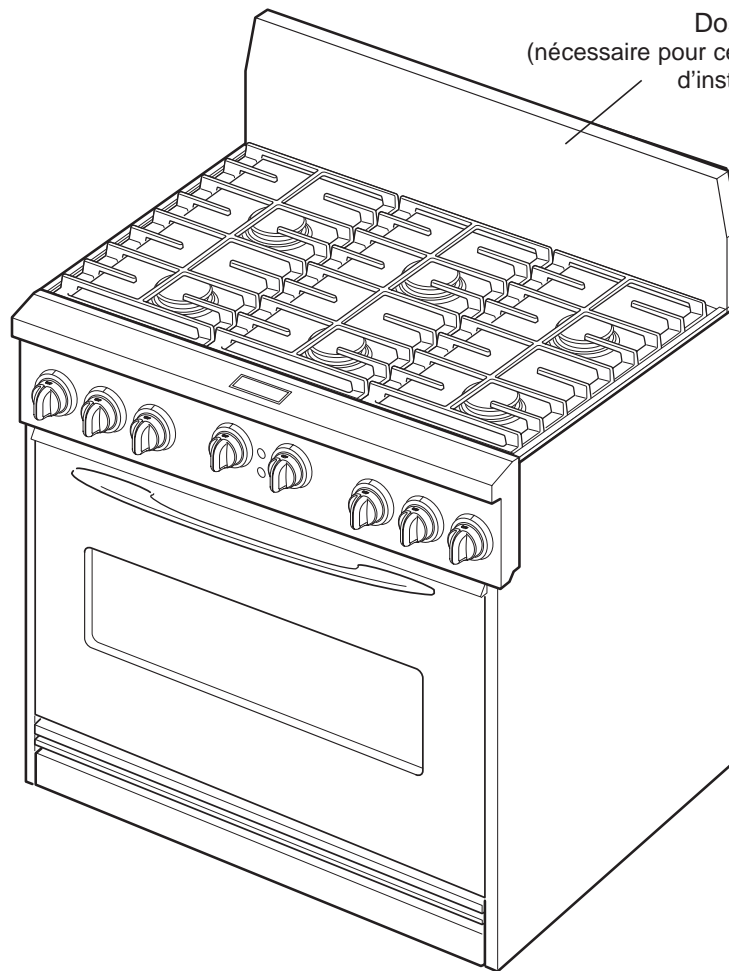
Prepared by KitchenAid, Benton Harbor, Michigan 49022
Download from [Www.Somanuals.com](http://www.Somanuals.com). All Manuals Search And Download.

Printed in U.S.A.

Instructions d'installation

Cuisinière style commercial - 91,4 cm (36 po) deux combustibles avec four autonettoyant thermique/à convection pour utilisation résidentielle seulement

Dosseret
(nécessaire pour certaines configurations
d'installation)



⚠ AVERTISSEMENT



Risque de basculement

Un enfant ou une personne adulte peut faire basculer la cuisinière ce qui peut causer un décès.

Joindre la bride antibasculement au pied arrière de la cuisinière.

Joindre de nouveau la bride antibasculement si la cuisinière est déplacée.

Voir détails dans les instructions d'installation.

Le non-respect de ces instructions peut causer un décès ou des brûlures graves aux enfants et aux adultes.

KitchenAid[®]
BIEN PENSÉ, BIEN FABRIQUÉ[®]

Pour toute question concernant caractéristiques, utilisation, performance, pièces ou service, téléphoner au 1-800-422-1230 ou consulter notre site Internet à l'adresse www.kitchenaid.com

IMPORTANT : Lire et conserver ces instructions.

IMPORTANT :

Installateur : Remettre les instructions d'installation au propriétaire.

Propriétaire : Conserver les instructions d'installation pour consultation ultérieure. Conserver les instructions d'installation pour consultation par l'inspecteur local des installations électriques.

Inscrire ci-dessous les numéros de modèle et de série avant d'installer la cuisinière.

On trouve cette information sur la plaque signalétique, fixée au-dessous du tableau de commande.

N° de modèle _____

N° de série _____

Pièce n° 8301169 Rév. A

Avant de commencer....

Votre sécurité et celle des autres est très importante.

Nous donnons de nombreux messages de sécurité importants dans ce manuel, et sur votre appareil ménager. Assurez-vous de toujours lire tous les messages de sécurité et de vous y conformer.



Voici le symbole d'alerte de sécurité.

Ce symbole d'alerte de sécurité vous signale les dangers potentiels de décès et de blessures graves à vous et à d'autres.

Tous les messages de sécurité suivront le symbole d'alerte de sécurité et le mot "DANGER" ou "AVERTISSEMENT". Ces mots signifient :

⚠ DANGER

Risque possible de décès ou de blessure grave si vous ne suivez pas immédiatement les instructions.

⚠ AVERTISSEMENT

Risque possible de décès ou de blessure grave si vous ne suivez pas les instructions.

Tous les messages de sécurité vous diront quel est le danger potentiel et vous disent comment réduire le risque de blessure et ce qui peut se produire en cas de non-respect des instructions.

IMPORTANT : Observer les dispositions de tous les codes et règlements en vigueur.

AVERTISSEMENT : Si les instructions présentées dans ce manuel ne sont pas respectées, un incendie ou une explosion peut causer des dommages aux biens, une blessure ou un décès.

— **Ne pas remiser ou utiliser de l'essence ou un autre produit liquide ou gazeux inflammable à proximité de cet appareil ou de tout autre appareil électroménager.**

— **QUE FAIRE SI UNE ODEUR DE GAZ EST PERCEPTIBLE?**

- **Ne pas essayer de mettre un appareil en marche.**
- **Ne toucher aucun commutateur électrique.**
- **N'utiliser aucun téléphone de l'édifice.**
- **Contactez immédiatement le fournisseur de gaz depuis le téléphone d'un voisin. Exécutez les instructions du fournisseur.**
- **Si le fournisseur de gaz n'est pas accessible, appelez les pompiers.**

— **L'installation et les travaux de service doivent être effectués par un électricien qualifié, ou par le personnel d'une agence de service ou du fournisseur de gaz.**

REMARQUE : Cette cuisinière est conçue pour l'alimentation au gaz naturel. Pour la conversion pour l'alimentation au propane, voir les instructions de conversion présentées dans les documents qui accompagnent le produit.

On doit disposer d'un raccord de connexion à la canalisation d'arrivée de gaz et d'une connexion au réseau électrique. Voir "Alimentation en gaz" à la page 4 et "Installation électrique" à la page 5.

IMPORTANT : Observer les dispositions de tous les codes et règlements en vigueur.

Ne pas entraver la circulation d'air de combustion et d'air de ventilation.

La responsabilité de la qualité de l'installation incombe au propriétaire. Demander à un technicien qualifié d'exécuter l'installation. Vérifier que tout le matériel nécessaire pour une installation correcte est disponible. C'est à l'installateur qu'incombe la responsabilité de respecter les dégagements de séparation spécifiés sur la plaque signalétique. On trouve la plaque signalétique et l'étiquette d'information sur les gaz combustibles sous le tableau de commande de l'appareil.

L'installation réalisée selon ces instructions doit être conforme aux dispositions des codes et règlements

locaux. En l'absence d'un code local, l'installation doit être conforme aux dispositions de la plus récente édition de la norme American National Standard, National Fuel Gas Code ANSI Z223.1*, ou de la norme CAN/CGA B149*.

C'est au client qu'incombe la responsabilité :

- de contacter un électricien qualifié pour l'installation.
- de s'assurer que l'installation électrique est adéquate et conforme aux dispositions du Code national des installations électriques ANSI/NFPA 70 – dernière édition**, ou norme de CSA C22.1 du Code canadien de l'électricité, 1^{re} partie (dernière édition)*, et aux dispositions des codes et règlements locaux.

On doit respecter les dimensions indiquées pour l'espace d'installation entre les placards. Ces dimensions tiennent compte des dégagements de séparation nécessaires.

Lors de l'installation de la cuisinière sous un placard existant, s'il n'est pas possible de respecter la distance de séparation minimale entre la table de cuisson et les placards, installer une hotte au-dessus de la cuisinière pour éviter les risques d'incendie.

NOTE : Certains placards et matériaux de construction ne peuvent résister à la chaleur émise par le four lors des opérations de cuisson au four et d'autonettoyage. Vérifier auprès du constructeur de la maison ou du fournisseur des placards que les matériaux utilisés ne subiront pas de dommage (changement de couleur, déstratification, etc.).

On doit parfaitement obturer/sceller toutes les ouvertures dans le mur et le plancher dans l'espace d'installation de la cuisinière.

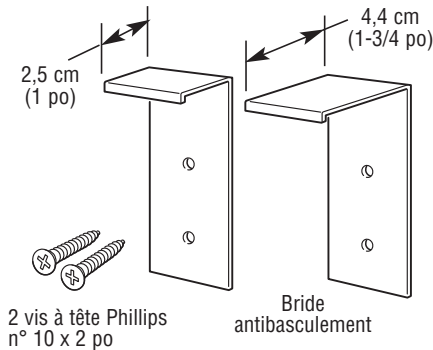
On recommande qu'une hotte d'extraction soit installée au-dessus de la cuisinière.

On peut se procurer un exemplaire des normes mentionnées aux adresses suivantes :

* CSA International
8501 East Pleasant Valley Road
Cleveland, Ohio 44131-5575

** National Fire Protection Association
One Batterymarch Park
Quincy, Massachusetts 02269

Pièces fournies pour l'installation



- On doit solidement fixer la bride antibasculement sur un poteau du colombage mural. L'épaisseur des panneaux de gypse peut nécessiter l'emploi de vis plus longues pour une bonne fixation de la bride.
- Les pièces nécessaires pour la conversion pour l'alimentation au propane sont placées dans le sachet des brochures.
- Dossieret et garniture pour îlot. Le dossieret fourni avec la table de cuisson doit être installé dans le cas de l'installation avec des placards de cuisine de profondeur standard de 61 cm (24 po), s'il n'y a pas de séparation de sécurité entre le bord arrière de la cuisinière et un mur de matériaux combustibles à l'arrière.

Pour l'installation au sein d'un îlot ou une autre configuration d'installation dans laquelle il y a un espace libre de plus de 12,7 cm (5 po) entre la cuisinière et le mur arrière, utiliser la garniture d'acier inoxydable pour îlot (option) fournie avec la table de cuisson pour recouvrir les brides de montage du dossieret.

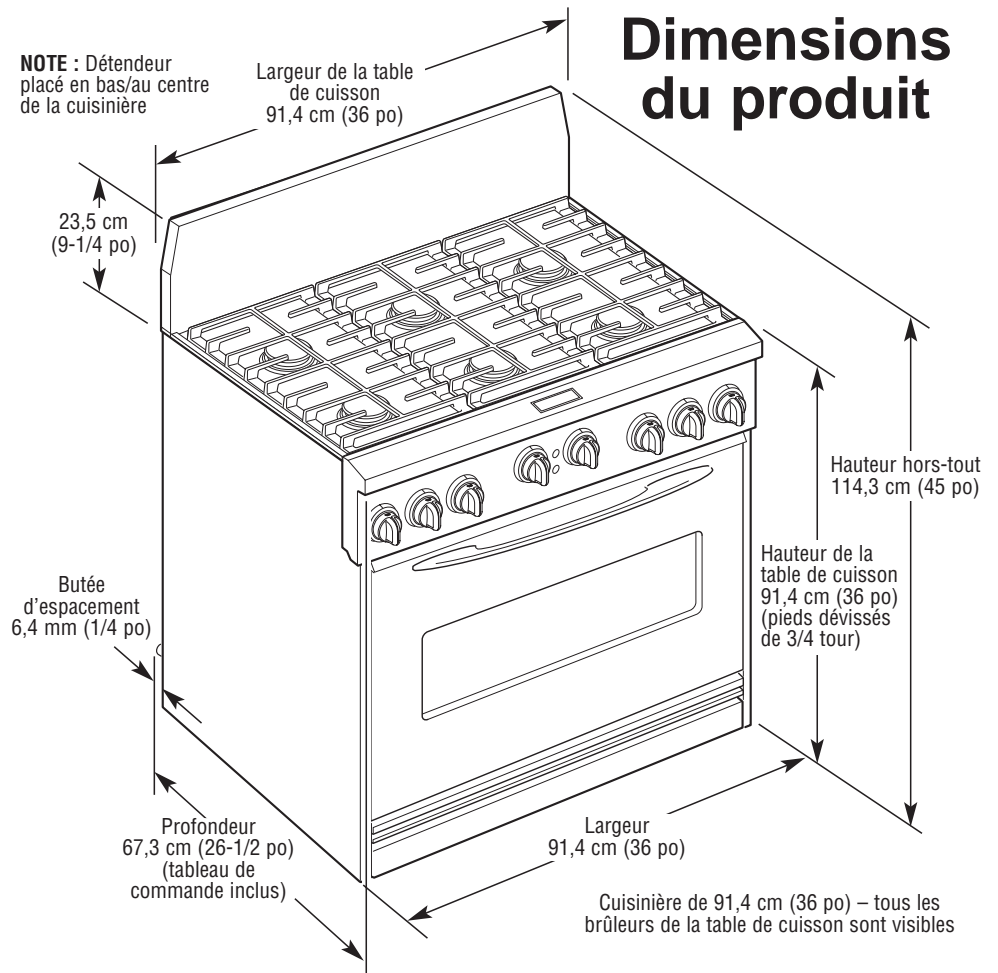
* **NOTE :** Distance de 106,7 cm (42 po) min. lorsque le fond de bois ou de métal du placard est protégé par un matériau ignifugé d'au moins 6,4 mm (1/4 po) recouvert d'une tôle d'acier (au moins 28 MSG), d'acier inoxydable (0,4 mm / 0,015 po), d'aluminium (0,6 mm / 0,024 po) ou de cuivre (0,5 mm / 0,020 po).

Distance de 121,9 cm (48 po) min. entre le sommet de la table de cuisson et le fond d'un placard non protégé de bois ou de métal.

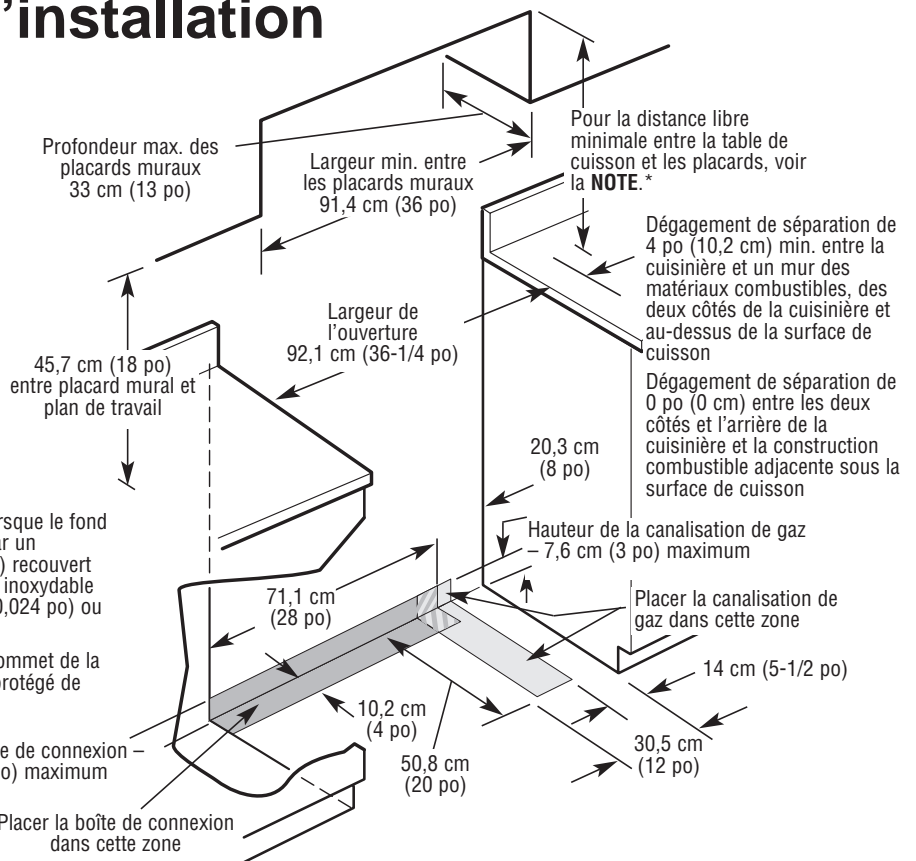
Hauteur de la boîte de connexion – 8,9 cm (3,5 po) maximum

Placer la boîte de connexion dans cette zone

Dimensions du produit



Dimensions de l'espace d'installation



Alimentation en gaz

⚠️ AVERTISSEMENT



Risque d'explosion

Utiliser un conduit de raccordement à la canalisation de gaz approuvé par AGA ou CSA.

Installer un robinet d'arrêt.

Bien serrer chaque raccord de connexion du circuit de gaz.

Si l'appareil est relié à une canalisation de propane, demander à une personne qualifiée de vérifier que la pression de gaz ne dépasse pas 35,6 cm (14 po) colonne d'eau.

(Personnes qualifiées = personnel compétent d'un fournisseur d'équipement de chauffage, d'une compagnie de distribution de gaz, ou d'une entreprise d'entretien agréée).

Le non-respect de ces instructions peut causer un accident mortel, une explosion ou un incendie.

Observer les dispositions de tous les codes et règlements en vigueur.

IMPORTANT : La table de cuisson doit être connectée à une source de gaz à pression régulée.

A. L'installation réalisée selon ces instructions doit être conforme aux dispositions des codes et règlements locaux. En l'absence d'un code local, l'installation doit être conforme aux dispositions de la plus récente édition de la norme* American National Standard, National Fuel Gas Code ANSI Z223.1 ou de la norme* CAN/CGA-B149.

B. La capacité thermique indiquée sur la plaque signalétique correspond à une altitude d'utilisation inférieure à 610 m (2 000 pi). Pour une altitude supérieure à 610 m (2 000 pi), réduire la capacité thermique à raison de 4 % pour chaque tranche de 305 m (1 000 pi) au-dessus du niveau de la mer (ceci n'est pas applicable au Canada).

C. Cette cuisinière est équipée pour l'alimentation au gaz NATUREL. Sa conception est homologuée par International Approval Services (I.A.S.) pour l'alimentation au gaz NATUREL ou au PROPANE (avec conversion appropriée). La plaque signalétique, située sous le tableau de commande, mentionne le type de combustible utilisable; si cette information ne concorde pas avec le type de gaz disponible, consulter le fournisseur de gaz local.

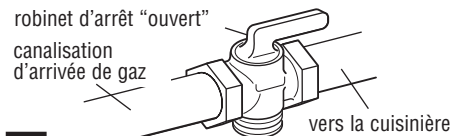
Propane :

Ne jamais tenter sans avoir d'abord consulté le fournisseur de gaz de modifier la cuisinière pour l'alimentation avec un autre gaz que celui qui est spécifié sur la plaque signalétique. Toute conversion doit être exécutée par un technicien qualifié. Pour la conversion pour l'alimentation au propane, utiliser l'ensemble de conversion n° 8301439. Ces pièces accompagnent les documents fournis avec la cuisinière.

D. Installer une canalisation de gaz rigide de 1,9 cm (3/4 po) jusqu'à l'emplacement de la cuisinière. L'emploi d'une canalisation de diamètre inférieur sur une grande distance peut rendre le débit de gaz insuffisant. Utiliser un composé d'étanchéité des jointures conçu pour l'utilisation en présence de propane. Pour l'alimentation au propane, utiliser une canalisation de diamètre d'au moins 1,3 cm (1/2 po). Habituellement le fournisseur de propane spécifie la taille et les matériaux des canalisations à utiliser avec le système.



E. Si ceci est permis par le code local en vigueur, on recommande de raccorder la cuisinière à la canalisation de gaz au moyen d'un conduit de raccordement métallique flexible (homologation AGA ou CSA.) de longueur de 122 à 152,4 cm (4 à 5 pieds) et de diamètre interne de 1,6 cm (5/8 po). Veiller à ne pas écraser, déformer ou endommager le conduit flexible lors d'un déplacement de l'appareil. Un filetage mâle de 1,3 cm (1/2 po) est nécessaire pour la connexion sur le raccord femelle du détendeur.



F. La canalisation d'arrivée de gaz devra comporter un robinet d'arrêt homologué. Ce robinet d'arrêt devrait être situé dans la même pièce que la cuisinière, à un emplacement permettant un accès aisé pour les manoeuvres d'ouverture et de fermeture. Ne pas entraver l'accès au robinet d'arrêt.

G. Si la canalisation de gaz est une tuyauterie rigide, utiliser une combinaison de raccords de tuyauterie pour réaliser un raccordement dans l'alignement de la cuisinière. Toute tension mécanique doit être éliminée de la canalisation de gaz, de manière à ce que la cuisinière demeure horizontale et alignée.



H. Contrôler le fonctionnement du détendeur à une pression d'au moins 25,4 mm (1 po) (colonne d'eau) au-dessus de la pression nominale. La pression à l'entrée du détendeur en service devrait être comme suit :

GAZ NATUREL :

Pression de distribution –
12,7 cm (5 po) (colonne d'eau)
Pression maximale –
35,6 cm (14 po) (colonne d'eau)

PROPANE :

Pression de distribution –
25,4 cm (10 po) (colonne d'eau)
Pression maximale –
35,6 cm (14 po) (colonne d'eau)

I. Test sous pression relative supérieure à 3,5 kPa (1/2 lb/po²). La cuisinière et son robinet d'arrêt individuel doivent être déconnectés de la canalisation de gaz au cours des tests du circuit d'alimentation à une pression relative supérieure à 3,5 kPa (1/2 lb/po²).
Test sous pression relative de 3,5 kPa (1/2 lb/po²) ou moins. La cuisinière doit être isolée de la canalisation de gaz par fermeture de son robinet d'arrêt individuel au cours des tests du circuit d'alimentation sous une pression égale ou inférieure à 3,5 kPa (1/2 lb/po²).

On peut se procurer un exemplaire des normes mentionnées à l'adresse suivante :

* CSA International
8501 East Pleasant Valley Road
Cleveland, Ohio 44131-5575

Installation électrique

Si on utilise un conducteur distinct de liaison à la terre lorsque le code en vigueur le permet, il est recommandé qu'un électricien qualifié vérifie la qualité de la liaison à la terre.

Ne pas utiliser une tuyauterie de gaz pour la liaison à la terre.

En cas de doute quant à la qualité de la liaison à la terre de l'appareil, consulter un électricien qualifié.

Ne jamais installer un fusible en série avec le conducteur neutre ou le conducteur de liaison à la terre.

On doit relier cette cuisinière à un câblage électrique permanent avec conducteur de liaison à la terre.

A. Cet appareil doit être alimenté seulement par un circuit monophasé de 240 V CA / 60 Hz, à quatre ou trois conducteurs; utiliser un circuit indépendant de 30 A avec protection de chaque phase par fusible ou disjoncteur. On recommande l'emploi de fusibles temporisés ou de disjoncteurs. La capacité de protection des fusibles ne doit pas être supérieure à la demande de courant maximale de l'appareil, mentionnée sur la plaque signalétique placée sous le tableau de commande.

B. Le câblage et les connexions doivent être conformes aux prescriptions de la dernière édition* du Code national des installations électriques ANSI/NFPA 70 – ou des normes CSA C22.1-94, Code canadien de l'électricité, partie 1 et C22.2 n° 0-M91 (dernière édition)**, et aux prescriptions de tous les codes et règlements locaux en vigueur.

C. On devrait directement raccorder la cuisinière au tableau de distribution ou à un coupe-circuit par l'intermédiaire d'un câble flexible blindé ou à gaine non métallique et conducteurs de cuivre. Le câble flexible blindé sortant du tableau de distribution ou du coupe-circuit doit être raccordé directement dans la boîte de connexion de l'appareil.

D. Installer la boîte de connexion à un emplacement permettant autant de mouvement libre que possible entre la boîte de connexion et la cuisinière, pour qu'il soit facile de déplacer l'appareil si des réparations sont nécessaires. Ne pas couper le conduit.

E. Il y a un raccord de conduit (homologation UL ou CSA) à chaque extrémité du câble d'alimentation (côté table de cuisson et côté boîte de connexion).

F. N'utiliser qu'un conducteur de cuivre pour la connexion à la boîte de connexion.

Si le câblage du domicile est en aluminium, procéder comme suit :

a) Connecter le câblage d'aluminium au câblage de cuivre au moyen des connecteurs spéciaux homologués par Underwriters Laboratories et conçus pour raccorder le cuivre et l'aluminium. Suivre la méthode recommandée par le fabricant des connecteurs électriques.

b) Le raccordement aluminium/cuivre doit être conforme aux codes locaux et aux pratiques d'installation de fils acceptées par l'industrie.

On peut se procurer un exemplaire des normes mentionnées aux adresses suivantes :

* National Fire Protection Association
One Batterymarch Park
Quincy, Massachusetts 02269

** CSA International
8501 East Pleasant Valley Road
Cleveland, Ohio 44131-5575

Installation

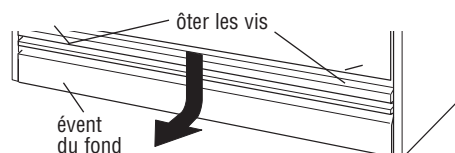
⚠ AVERTISSEMENT

Risque du poids excessif

Utiliser deux ou plus de personnes pour déplacer et installer la cuisinière.

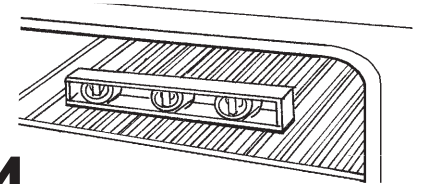
Le non-respect de cette instruction peut causer une blessure au dos ou d'autre

1. Porter des lunettes de sécurité et des gants de protection. Retirer de la cuisinière matériaux d'emballage, rubans adhésifs et film de protection. Laisser la palette sous la cuisinière. Déballez tous les composants : grille de brûleur, chapeau de brûleur, plaque de mijotage, grille du gril, plateau de récupération, plateau ondulé, plaque de support, garnitures, détendeur, dossier et garniture pour installation en îlot. Ces articles emballés peuvent être placés dans la cuisinière ou sur la cuisinière. La liste des pièces fournies avec la cuisinière dépend du modèle commandé.



2. Enlever l'évent du fond; ôter les deux vis de part et d'autre de l'évent du fond. Faire glisser l'évent vers le bas pour pouvoir le tirer. Placer soigneusement cette pièce de côté – éviter d'érafler l'acier inoxydable.

3. Placer sur le sol derrière la cuisinière un morceau de carton provenant du côté de l'emballage. Saisir fermement la cuisinière de chaque côté (participation de deux personnes). Soulever la cuisinière d'environ 8 cm (3 po) et transférer la cuisinière de la palette à la feuille de carton – éviter d'endommager le plancher.



4. Approcher prudemment la cuisinière de l'ouverture d'encastrement. Placer la grille dans le four. Placer un niveau sur la grille pour contrôler l'aplomb transversalement, puis dans le sens avant/arrière.

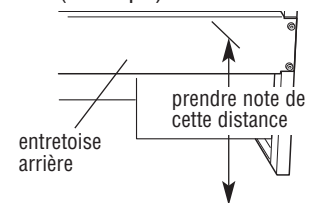
Si la cuisinière n'est pas d'aplomb, ajuster la longueur des pieds. Faire tourner la bague des pieds réglables pour soulever ou abaisser la cuisinière et la placer au niveau désiré.



5. Choisir la bride correcte pour l'installation.

• Si sur le mur derrière la cuisinière il y a une plinthe de 9,5 mm (3/8 po) ou moins ou pas de plinthe, utiliser la bride antibasculement plus courte de 2,5 cm (1 po).

• Si sur le mur derrière la cuisinière il y a une plinthe de plus de 9,5 mm (3/8 po), utiliser la bride antibasculement plus longue de 4,4 cm (1-3/4 po).



Identifier la position d'un poteau du colombage mural derrière la cuisinière. Mesurer la distance entre le sommet de l'entretoise arrière et le plancher. Ajouter 7,9 mm (5/16 po) à cette dimension, pour que la bride antibasculement puisse passer par-dessus l'entretoise arrière. Utiliser cette mesure finale pour tracer une ligne horizontale sur le mur à l'emplacement du poteau.

⚠ AVERTISSEMENT



Risque de basculement

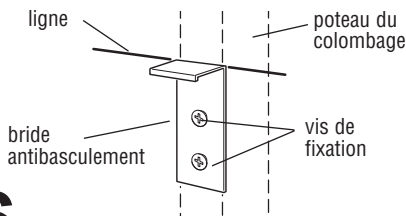
Un enfant ou une personne adulte peut faire basculer la cuisinière ce qui peut causer un décès.

Joindre la bride antibasculement au pied arrière de la cuisinière.

Joindre de nouveau la bride antibasculement si la cuisinière est déplacée.

Voir détails dans les instructions d'installation.

Le non-respect de ces instructions peut causer un décès ou des brûlures graves aux enfants et aux adultes.



6. Positionner le sommet de la bride antibasculement sur la ligne tracée sur le mur à l'étape 5; marquer la position des trous. Percer deux avant-trous de 3 mm (1/8 po). Avec les vis fournies, fixer la bride antibasculement sur le mur.

NOTE : On doit solidement fixer la bride antibasculement sur le poteau du colombage mural derrière la cuisinière. Selon l'épaisseur du panneau de gypse, il peut être nécessaire d'employer des vis plus longues.

7. Exécuter le raccordement électrique.

Si le câblage du domicile est en aluminium, voir "Installation électrique" à la page 5.

⚠ AVERTISSEMENT



Risque de choc électrique

Déconnecter la source de courant électrique avant l'entretien.

Utiliser un fil en cuivre de calibre 8.

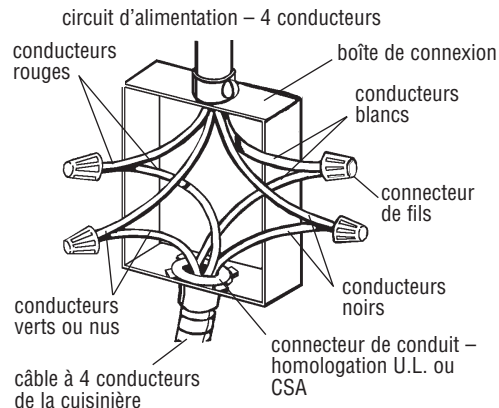
Vérifier que la cuisinière est électriquement reliée à la terre.

Le non-respect de ces instructions peut causer un accident mortel, un incendie ou un choc électrique.

Cette cuisinière doit être reliée au réseau électrique par un câblage permanent métallique avec conducteur de liaison à la terre, ou bien un conducteur distinct de liaison à la terre doit être raccordé au fil ou à la borne de liaison à la terre de la cuisinière.

Cette cuisinière comporte un conducteur nu ou à gaine verte connecté au châssis pour la liaison à la terre, qui est également relié au conducteur neutre (blanc). Faire passer le câble de la cuisinière dans la boîte de connexion à travers un connecteur de conduit (homologation UL ou CSA). Exécuter le raccordement électrique conformément aux prescriptions des codes et règlements locaux en vigueur.

7A. Si le code local ne permet pas le raccordement du conducteur de liaison à la terre connecté au châssis au conducteur neutre (blanc) dans la boîte de connexion (configuration également utilisée au Canada).



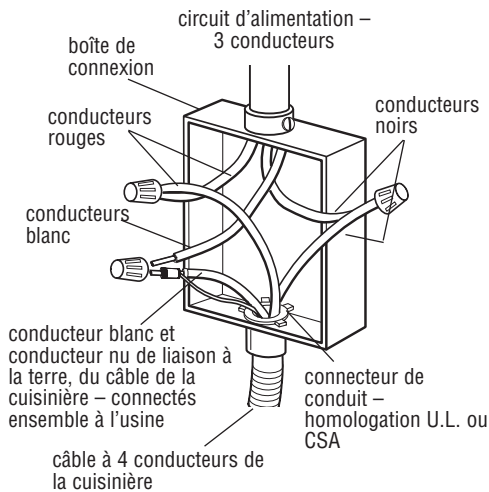
Conducteur neutre non relié à la terre

Figure 1

1. Interrompre l'alimentation du circuit.
2. Faire passer dans la boîte de connexion à travers un connecteur de conduit (homologation UL ou CSA) le câble blindé flexible provenant de la cuisinière. Serrer les vis sur le connecteur de conduit.
3. Avec des connecteurs de fils (voir la Figure 1), connecter ensemble les deux conducteurs noirs et les deux conducteurs rouges.
4. Séparer le conducteur nu et le conducteur blanc du câble de la cuisinière (connectés ensemble à l'usine).

5. Avec un connecteur de fils, connecter ensemble les deux conducteurs blancs.
6. Connecter le conducteur nu du câble de la cuisinière au conducteur de liaison à la terre dans la boîte de connexion ou à un autre conducteur relié à la terre (utiliser un connecteur de fils). Voir la Figure 1. Ne pas connecter le conducteur nu au conducteur neutre (blanc) dans la boîte de connexion.

7B. Si le code local permet le raccordement du conducteur de liaison à la terre connecté au châssis au conducteur neutre (blanc) dans la boîte de connexion (cette configuration n'est pas utilisée au Canada).

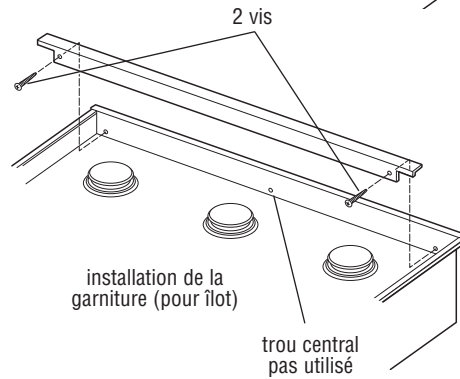
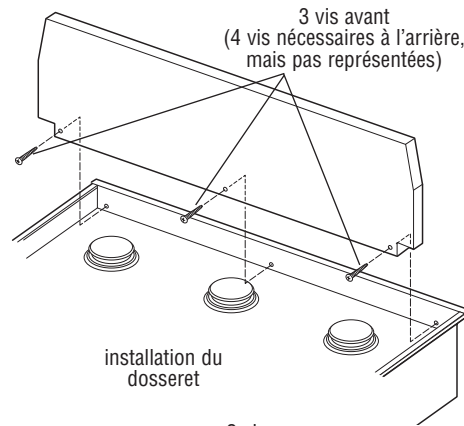


Conducteur neutre relié à la terre

Figure 2

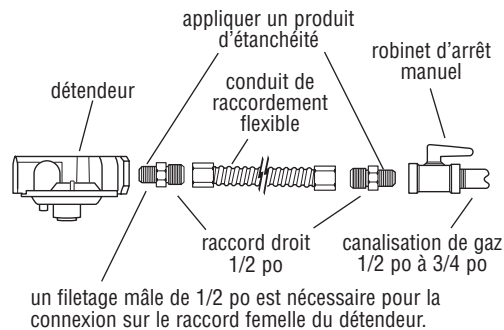
1. Interrompre l'alimentation du circuit.
2. Faire passer dans la boîte de connexion à travers un connecteur de conduit (homologation UL ou CSA) le câble blindé flexible provenant de la cuisinière. Serrer les vis sur le connecteur de conduit.
3. Avec des connecteurs de fils, connecter ensemble les deux conducteurs noirs et les deux conducteurs blancs et nu connectés ensemble à l'usine (du câble de la cuisinière) et le conducteur (neutre) blanc dans la boîte de connexion. (Voir la Figure 2.)

8. Enlever la feuille de carton ou planche placée sous la cuisinière pour la protection du plancher.

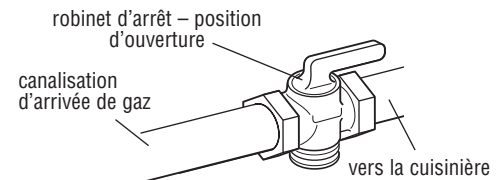


9. Fixer le dossieret ou la garniture pour îlot, selon la configuration d'installation. Les vis fournies sont placées dans le sachet des brochures.

10. Pousser complètement la cuisinière vers l'arrière pour que la bride antibasculement puisse accrocher la tringle transversale arrière de la cuisinière.

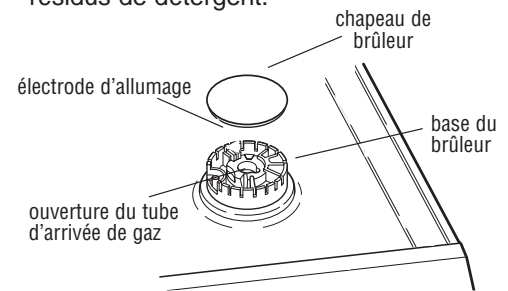


11. Réaliser le raccordement à la canalisation de gaz. Installer le conduit de raccordement flexible entre la canalisation de gaz et le détendeur (situé au milieu/à l'avant de la cuisinière). Appliquer sur les filetages des raccords un composé d'étanchéité compatible avec le propane. Connecter un raccord droit sur le coude du détendeur et l'autre sur le robinet d'arrêt. Serrer les connexions.



12. Ouvrir le robinet d'arrêt manuel de la canalisation de gaz. Attendre quelques minutes pour que le gaz expulse l'air de la canalisation.

13. Pour rechercher les fuites au niveau des connexions de la canalisation de gaz, utiliser un pinceau et du détergent liquide. La formation de bulles au voisinage d'une connexion indique la présence d'une fuite. En cas de fuite, fermer le robinet d'arrêt et le robinet de commande, et resserrer les connexions. Inspecter de nouveau pour rechercher des fuites. Nettoyer pour enlever tous les résidus de détergent.



14. Placer un chapeau de brûleur sur chaque base de brûleur. Placer la grille par-dessus chaque brûleur.

Si le produit commandé ne comporte que des brûleurs standard (et non pas un gril ou une plaque à frire), voir à la page 8 "Contrôle du fonctionnement des brûleurs de la table de cuisson, du gril et de la plaque à frire".

Si le produit expédié comporte un gril ou une plaque à frire, voir à la page 8 "Installation du gril ou de la plaque à frire".

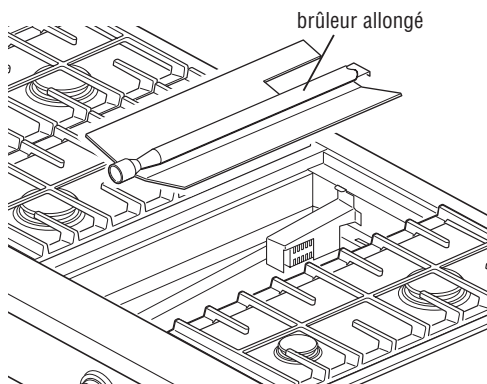
15. Mettre l'appareil sous tension. Le message "PF" doit apparaître sur l'afficheur de l'horloge (voir dans le Guide d'utilisation et d'entretien les instructions d'utilisation du système de commande électronique).

Installation du gril ou de la plaque à frire.

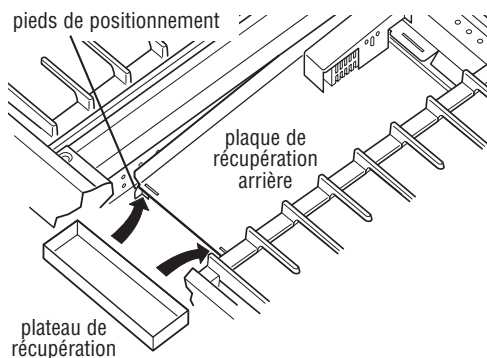
Installation du gril : passer à l'étape 16.

Installation de la plaque à frire : la plaque à frire a été installée à l'usine. Pour terminer l'installation, passer à l'étape 17.

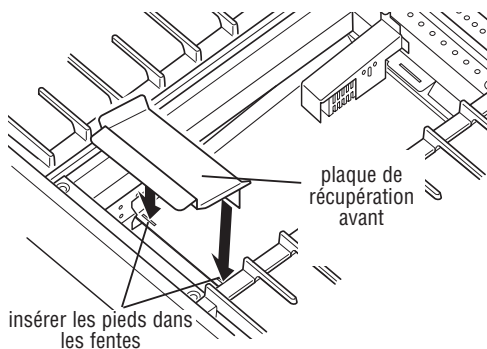
16. Installation du gril :



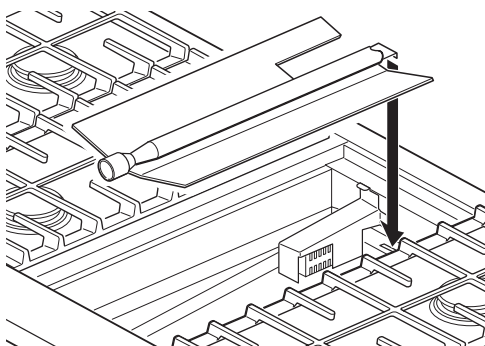
A. Soulever le brûleur allongé pour le retirer; conserver le brûleur à part.



B. Placer le plateau de récupération au fond de la section du gril; faire glisser le plateau vers l'avant pour le juxtaposer avec le pied de positionnement sur la plaque de récupération arrière.



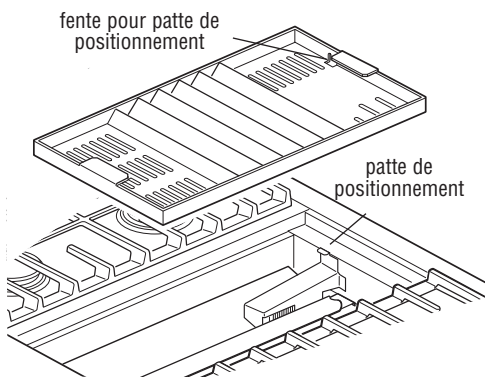
C. Insérer les pieds de la plaque de récupération avant dans les fentes de la plaque de récupération arrière (voir l'illustration). Le rebord arrière reposera sur le logement du brûleur.



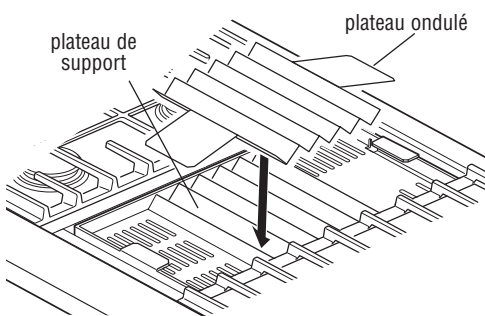
D. Installer le brûleur allongé. Placer le rebord arrière dans la fente destinée à le recevoir.

E. Brancher le cordon d'alimentation sur une prise de courant reliée à la terre.

F. Observer les flammes du brûleur du gril et des brûleurs standard. Avant de terminer l'installation du gril, voir à la page 8 "Contrôle du fonctionnement des brûleurs de la table de cuisson, du gril et de la plaque à frire".



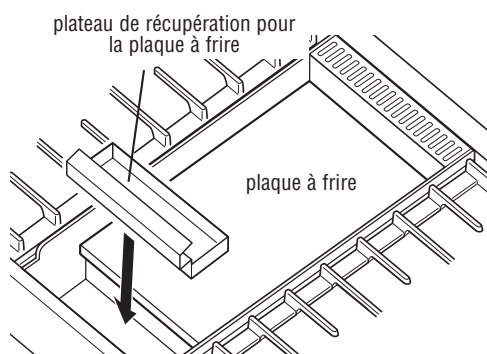
G. Installer le plateau ondulé dans l'espace destiné au gril. La patte de l'angle arrière gauche doit s'engager dans la fente de l'angle arrière gauche du plateau de support.



H. Placer le plateau ondulé sur le plateau de support – voir l'illustration. Le plateau ondulé doit être centré sur le plateau de support.

I. Installer la grille du gril.

17. Phase finale de l'installation de la plaque à frire :



A. Placer le plateau de récupération à l'avant du logement de la plaque à frire. Faire glisser le plateau vers l'avant jusqu'au point de butée.

B. Consulter le guide d'utilisation et d'entretien fourni avec la table de cuisson, au sujet de la préparation de la plaque à frire avant la première utilisation et au sujet du nettoyage.

C. Brancher le cordon d'alimentation sur une prise de courant reliée à la terre.

D. Contrôler les flammes des brûleurs standard et du brûleur de la plaque à frire. Avant de terminer l'installation du gril, voir à la page 8 "Contrôle du fonctionnement des brûleurs de la table de cuisson, du gril et de la plaque à frire".

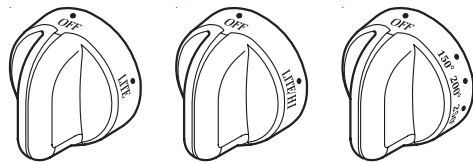
Contrôle du fonctionnement des brûleurs de la table de cuisson, du gril et de la plaque à frire.

18. Système d'allumage électronique – allumage initial

Les brûleurs de la table de cuisson sont dotés d'un dispositif d'allumage

électronique, sans flamme de veille. Lorsqu'on place le bouton de commande à la position LITE (enfonce et rotation), le système génère des étincelles qui provoquent l'allumage du brûleur. L'émission d'étincelles se poursuit jusqu'à ce qu'on place le bouton de commande à la position correspondant à la puissance de chauffage désirée.

Les brûleurs du gril et de la plaque à frire sont dotés d'un système d'allumage à barre incandescente, sans flamme de veille. Lorsque la barre à incandescence est chaude, le système transmet un signal à l'électrovanne de sécurité, qui commande l'arrivée du gaz.



brûleurs de la table de cuisson brûleurs du gril brûleurs de la plaque à frire

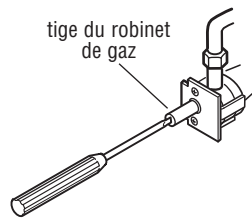
A. Placer le bouton de commande du brûleur (brûleur standard ou gril) à la position LITE (enfonce et rotation). Pour la plaque à frire, placer le bouton de commande (rotation) à la position correspondant à la température désirée (on recommande 300°F). Le brûleur standard de la table de cuisson devrait s'allumer en moins de 4 secondes; le brûleur du gril ou de la plaque à frire devrait s'allumer en 30 à 40 secondes.

NOTE : la flamme du brûleur de la plaque à frire n'est pas visible, mais on doit percevoir le son émis lors de l'allumage et l'échauffement de la plaque.

Après l'allumage de chaque brûleur, ramener le bouton de commande à la position d'arrêt OFF.

Si un brûleur ne s'allume pas correctement, ramener le bouton de commande à la position d'arrêt OFF. Déterminer si le chapeau de brûleur est à la position convenable. Déterminer si l'alimentation électrique a été interrompue (fusible grillé ou disjoncteur ouvert). Vérifier que le robinet d'arrêt est ouvert. Contrôler de nouveau le fonctionnement.

Si à ce point un brûleur standard ou le brûleur du gril ou de la plaque à frire ne s'allume pas, demander l'aide du revendeur KitchenAid.



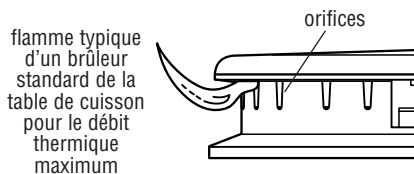
B. Réglage de la flamme des brûleurs = brûleur standard ou brûleur du gril :

NOTE : il n'y a aucun réglage pour le brûleur de la plaque à frire; le débit de gaz est contrôlé par un thermostat (100 %).

Placer le bouton de commande de chaque brûleur à la position LO (enfonce et rotation). Un réglage a été effectué à l'usine pour la position LO de chaque brûleur, pour la puissance thermique minimum permettant un réallumage fiable du brûleur. Si un brûleur ne reste pas allumé à la position LO, contrôler le réglage comme suit :

- Placer le bouton de commande à la position LITE jusqu'à ce que le brûleur s'allume.
- Ramener rapidement le bouton de commande à la position LO.
- Si le brûleur s'éteint, ajuster le réglage du robinet de gaz comme suit :

Ôter le bouton de commande. Insérer un tournevis à lame plate dans la tige creuse du robinet pour pouvoir faire tourner la vis de réglage. Une rotation de la vis de réglage produit une augmentation ou diminution de la taille des flammes. Ajuster la taille des flammes de telle manière qu'il soit possible de faire passer rapidement le bouton de commande de la position HI à la position LO sans provoquer l'extinction du brûleur. Il faut que les flammes soient aussi petites que possible, sans que le brûleur s'éteigne lors de la manœuvre décrite ci-dessus.



C. Lorsqu'on sélectionne la position HI (débit thermique maximum) pour un brûleur, on doit observer des flammes de teinte bleue et de forme nette et douce, sans pointe jaune et sans séparation entre les flammes et le brûleur. Il est normal d'observer occasionnellement des teintes orange; ceci est dû à la présence de divers éléments dans l'air ou le gaz.

19. Contrôle du fonctionnement de l'élément du four. Placer le bouton de sélection à la position BAKE (cuisson au four). Le message "350 F" apparaît sur l'afficheur. Appuyer sur "Enter". Le témoin de préchauffage s'allume d'abord, puis la température commence à augmenter dans le four. Lorsque le second témoin de préchauffage s'allume, ouvrir la porte et placer une main au-dessus du plancher du four pour percevoir la chaleur. Ne pas toucher le plancher du four. Appuyer sur la touche "Cancel" et ramener le bouton de sélection à la position "Reset".

20. Contrôle du fonctionnement de l'élément du gril. Placer le bouton de sélection à la position BROIL (gril). Le message "HI" apparaît sur l'afficheur. Appuyer sur "Enter". Observer à travers le hublot. L'élément supérieur devrait devenir incandescent et le rayonnement thermique devrait être perceptible. Appuyer sur la touche "Cancel" et ramener le bouton de sélection à la position "Reset".

Si le four ne fonctionne pas, vérifier que le câblage électrique a été correctement réalisé et que le circuit est alimenté (disjoncteur ouvert? fusible grillé?). Si le four ne fonctionne toujours pas, contacter le concessionnaire KitchenAid ou une entreprise de service après-vente agréée.

21. Réinstaller l'évent inférieur. Insérer les pattes dans les fentes sur la garniture avant. Pousser l'évent vers le haut pour réaliser l'alignement des trous au sommet de l'évent. Réinstaller les deux vis de fixation.

22. Installer la grille par-dessus le brûleur. On peut placer la plaque de mijotage sur l'une des grilles de brûleur, ou la remiser pour utilisation ultérieure. (Voir le Guide d'utilisation et d'entretien.)

Pour obtenir la plus grande efficacité de cette cuisinière à deux combustibles, lire attentivement le Guide d'utilisation et d'entretien de KitchenAid. Conserver le guide et les instructions d'installation en lieu sûr pour pouvoir facilement les consulter.

Liste de contrôle de l'installateur

CUISINIÈRE

- Cuisinière correctement placée dans la cavité d'encastrement.
- Respect des distances de séparation spécifiées entre les surfaces.
- Aplomb de la cuisinière – avant/arrière et transversalement.
- Chapeau de brûleur correctement placé sur la base de chaque brûleur scellé.
- Tous les matériaux d'emballage enlevés.
- Dosseret ou garniture pour îlot installé(e) (voir page 3). Selon le modèle, composants du grill correctement installés. Selon le modèle, composants de la plaque à frire correctement installés.

ARRIVÉE DE GAZ

- Cuisinière alimentée par le type de gaz pour lequel elle est homologuée.

Si la cuisinière ne fonctionne pas

- Fusible grillé ou disjoncteur ouvert?
- Robinet de gaz ouvert (position "ON")?
- Consulter le Guide d'utilisation et d'entretien – section diagnostic/dépannage.

Si une assistance est nécessaire

Le personnel du Centre d'assistance à la clientèle de KitchenAid peut répondre à toute question concernant l'utilisation et l'entretien de la cuisinière dont la réponse ne figurerait pas dans les instructions d'installation. Le Centre d'assistance à la clientèle de KitchenAid est accessible 24 heures par jour, 7 jours par semaine. Il suffit de composer le 1-800-422-1230 – la communication est gratuite dans tous les états continentaux des États-Unis. On peut également consulter le site Internet de KitchenAid à l'adresse www.kitchenaid.com.

Lors de la prise de contact, le client doit communiquer le numéro de modèle et le numéro de série de la cuisinière. Ces numéros figurent sur la plaque signalétique, située sous le tableau de commande.

Si vous avez besoin de services de réparation

Advenant que des réparations soient nécessaires sur cet appareil ménager KitchenAid, contacter le marchand chez lequel il a été acheté, ou contacter un établissement de service agréé par KitchenAid. On peut trouver les noms et adresses des établissements de service agréés dans l'annuaire local Pages jaunes à la rubrique "Appareils électroménagers – service et réparations".

Pour obtenir le nom et l'adresse d'un établissement de service après-vente agréé, on peut également téléphoner sans frais au Centre d'assistance à la clientèle de KitchenAid au 1-800-422-1230 (états continentaux des États-Unis); un opérateur spécialisé pourra alors communiquer le nom et l'adresse du plus proche établissement de service après-vente agréé KitchenAid.

Pour préserver la qualité incorporée dans cet appareil ménager KitchenAid, confier les travaux à un établissement de service après-vente agréé KitchenAid.

Entretien

S'il est nécessaire d'enlever la cuisinière pour les opérations d'entretien, fermer le robinet d'arrivée de gaz. Déconnecter l'appareil des circuits de gaz et d'électricité, puis retirer la cuisinière de sa cavité d'encastrement.

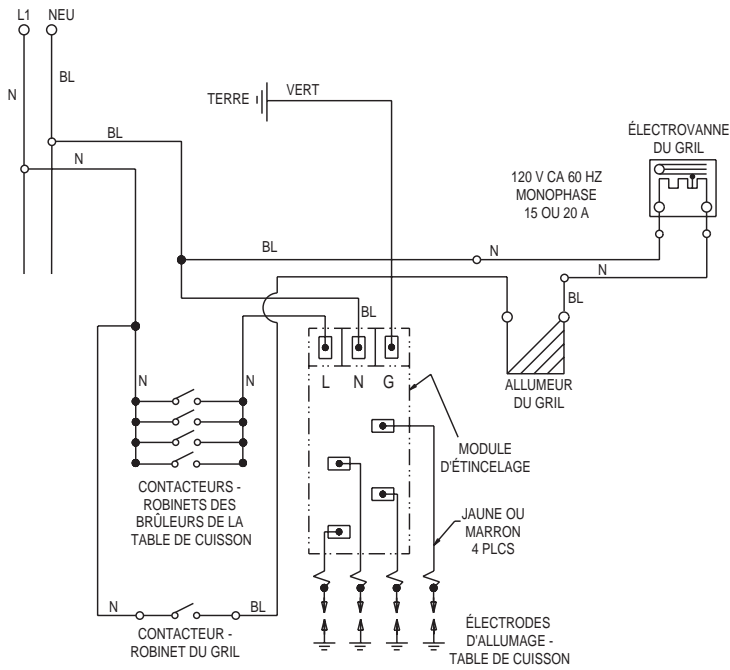


Schéma des circuits — table de cuisson avec grill

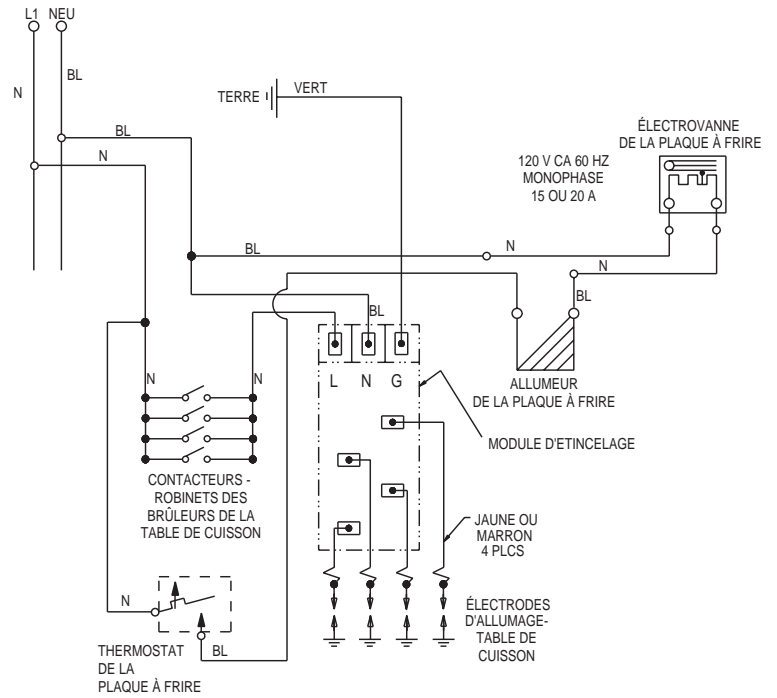


Schéma des circuits — table de cuisson avec plaque à frire

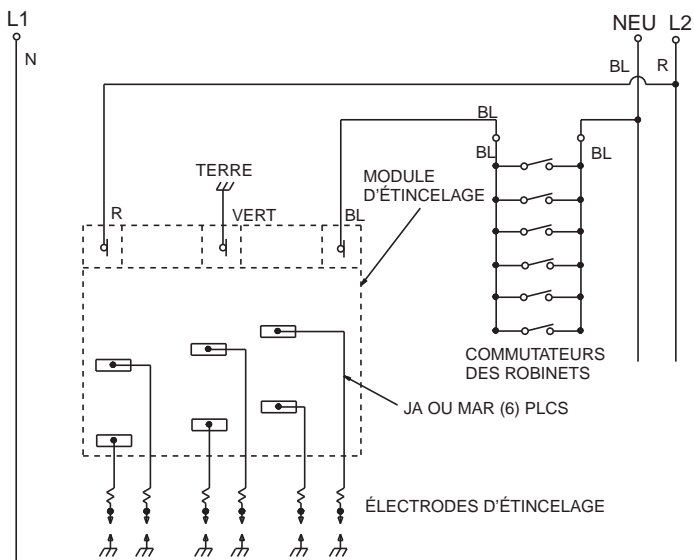


Schéma de la table de cuisson

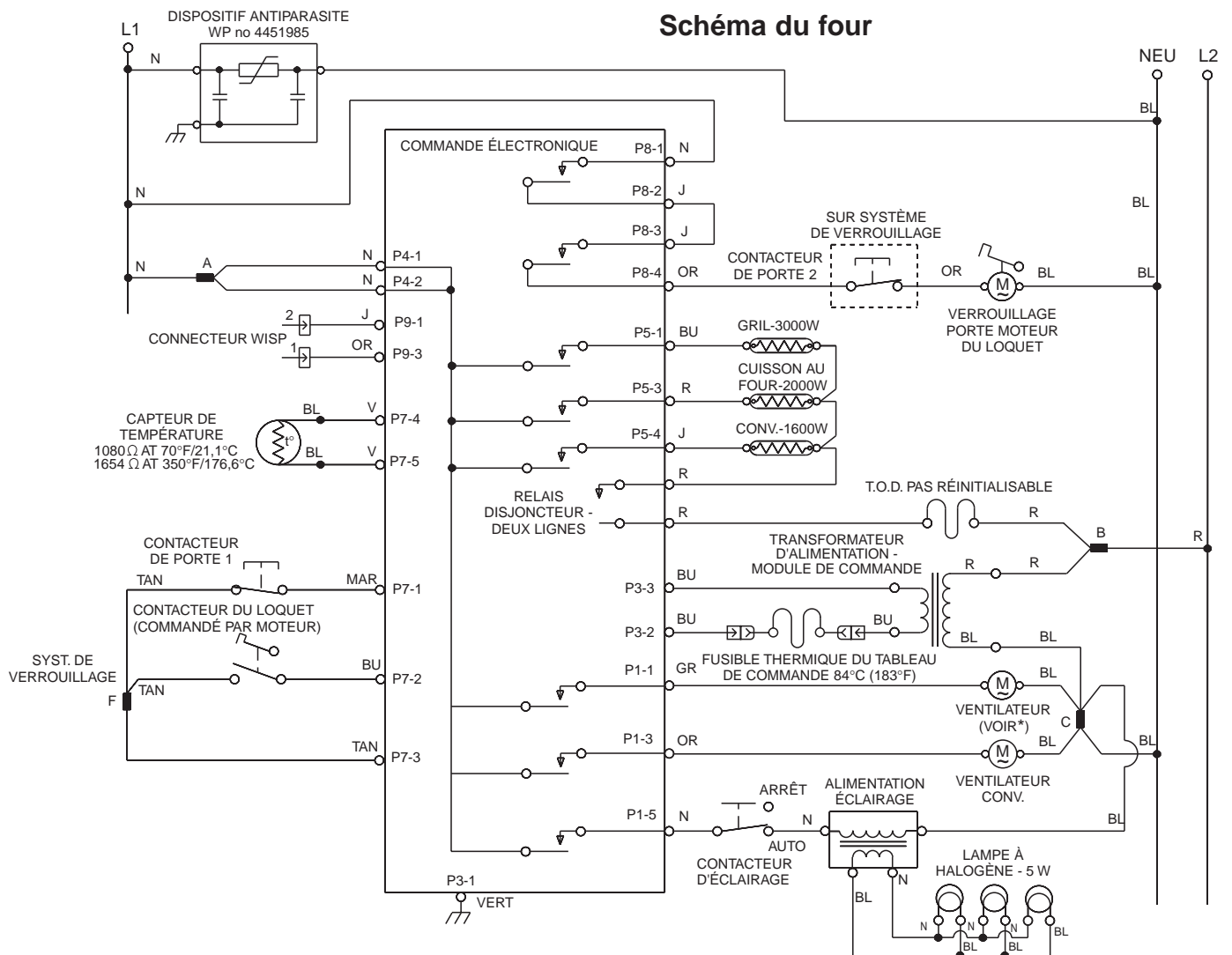


Schéma du four

(* LE VENTILATEUR RESTE ÉTEINT JUSQU'À CE QUE LE FOUR ATTEIGNE 190°F (88°C) ET PEUT CONTINUER DE FONCTIONNER JUSQU'À 45 MINUTES APRÈS QUE LE FOUR EST ÉTEINT.

REMARQUE : CIRCUIT ILLUSTRÉ EN MODE D'ATTENTE/ARRÊT AVEC PORTE DU FOUR FERMÉE.

Pièce n° 8301169 Rév. A
 ©2003 KitchenAid
 ® Marque déposée/marque de commerce de KitchenAid U.S.A.; emploi sous licence au Canada par KitchenAid Canada

KitchenAid[®]
 APPAREILS MÉNAGERS

Préparé par KitchenAid, Benton Harbor, Michigan 49022.
 Download from www.Somanuals.com. All Manuals Search And Download.

Imprimé aux É.-U.

Free Manuals Download Website

<http://myh66.com>

<http://usermanuals.us>

<http://www.somanuals.com>

<http://www.4manuals.cc>

<http://www.manual-lib.com>

<http://www.404manual.com>

<http://www.luxmanual.com>

<http://aubethermostatmanual.com>

Golf course search by state

<http://golfingnear.com>

Email search by domain

<http://emailbydomain.com>

Auto manuals search

<http://auto.somanuals.com>

TV manuals search

<http://tv.somanuals.com>