

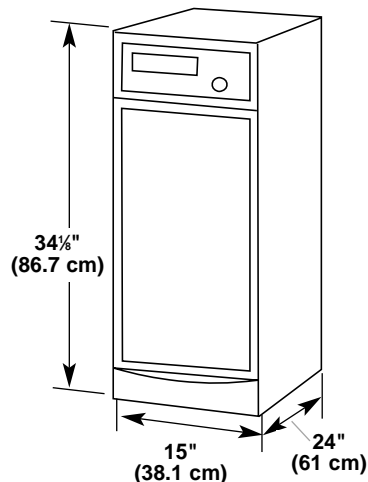
# KitchenAid® Compactor

## PRODUCT MODEL NUMBERS

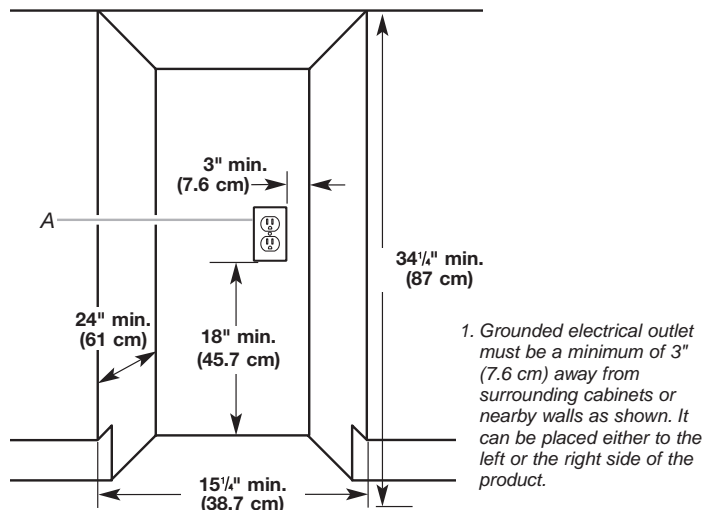
KFCK03IT      KUCP02IR  
 KFCK02IR      KUCS02CR  
 KUCK03IT      KUCS03CT

**Electrical:** 115-volt, 60-Hz, AC-only, 15- or 20-amp grounded circuit is required. A separate circuit is recommended.

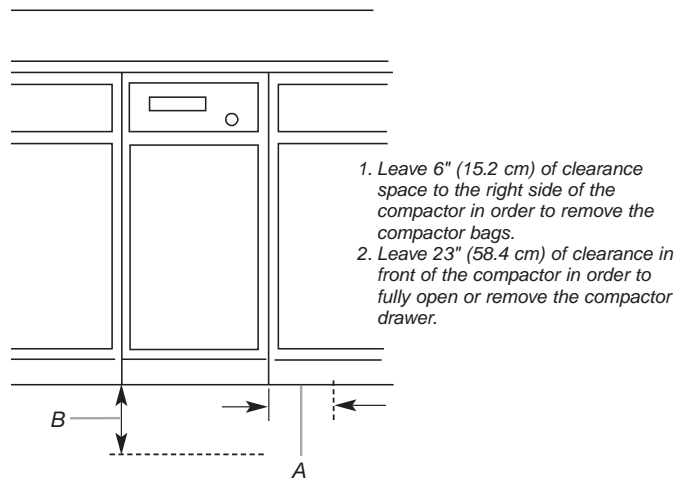
## OVERALL DIMENSIONS



## CABINET OPENING DIMENSIONS



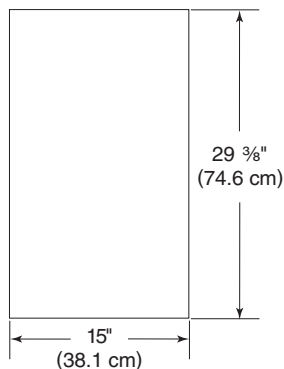
## CLEARANCE DIMENSIONS



## CUSTOM PANELS

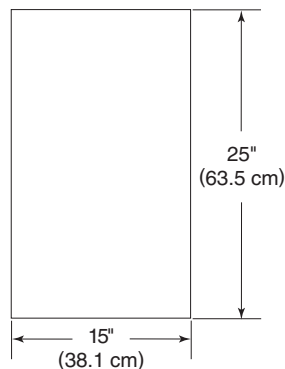
### Without Trim Kit

#### Models with handles



Panel should be 1/2" to 5/8" (13 to 16 mm) thick. NOTE: A thicker panel may need rounded front corners and a cutout for access to the handle.

#### Models without handles



Panel should be 1/2" (13 mm) min. thickness

## Free Manuals Download Website

<http://myh66.com>

<http://usermanuals.us>

<http://www.somanuals.com>

<http://www.4manuals.cc>

<http://www.manual-lib.com>

<http://www.404manual.com>

<http://www.luxmanual.com>

<http://aubethermostatmanual.com>

Golf course search by state

<http://golfingnear.com>

Email search by domain

<http://emailbydomain.com>

Auto manuals search

<http://auto.somanuals.com>

TV manuals search

<http://tv.somanuals.com>