

Illus. No.	Part No.	DESCRIPTION
1	9871923	Literature Parts Sheet, Tech
	9872216	Guide, Use & Care
	9872109	Label, Warning
2	9870343	Motor, Drive (Includes No. 13)
3	9871067	Screw, 1/4-20 x 3/4 (4)
4	776327	Plate, Drive Mount
5	776338	Locknut, 10-32 (4)
6	4149667	Gear, Drive
7	454512	Pin, Slotted Spring
8	776035	Washer, Wave
9	297462	Washer, Thrust
10	777124	Gear, Driven
11	776036	Clip, Ring
12	780477	Chain, Drive
13	777971	Switch, Motor

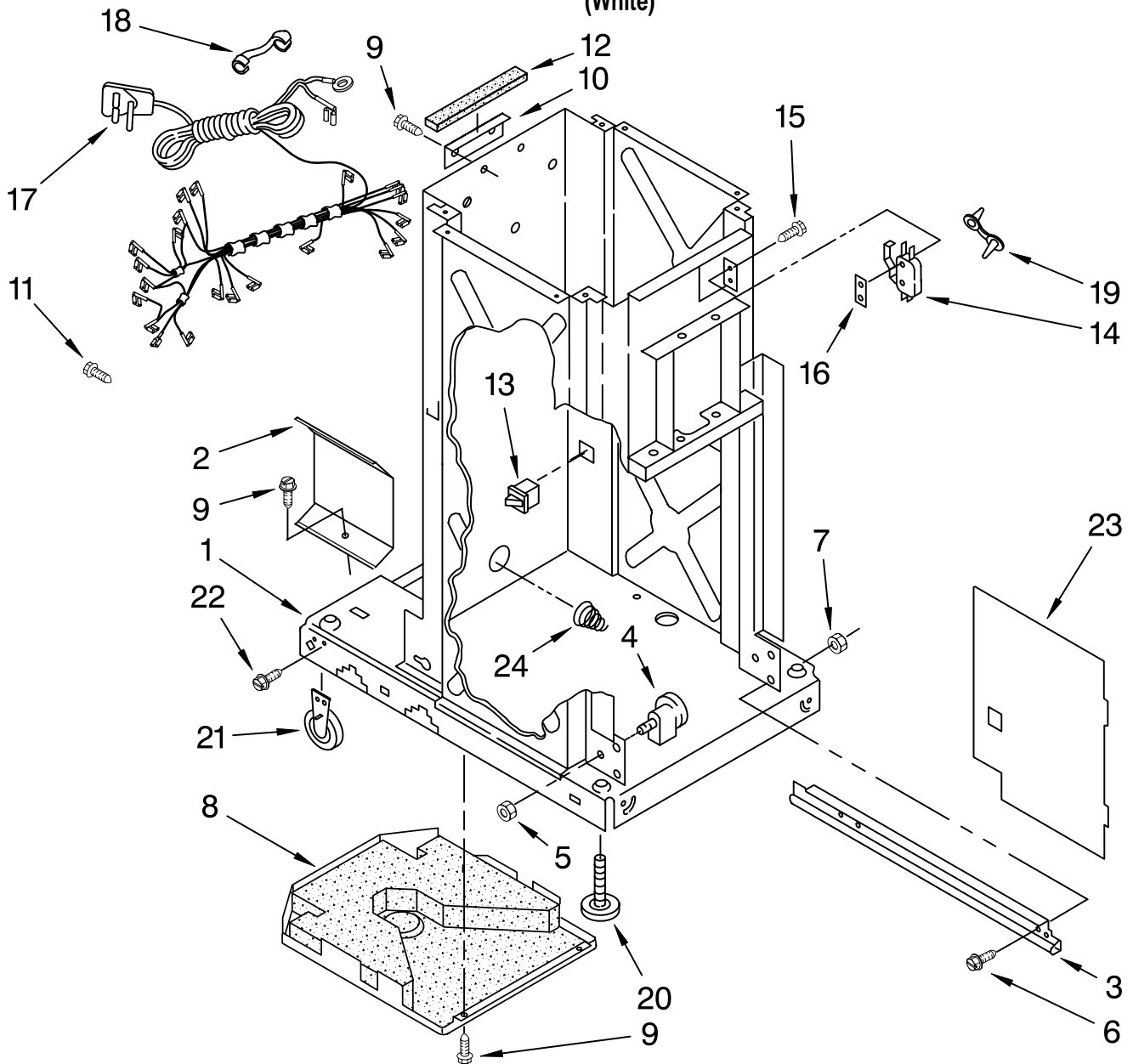
Parts Not Illustrated and Optional Parts (Not Included)

9870118 Undercounter Conversion Kit

FOR ORDERING INFORMATION REFER TO PARTS PRICE LIST

FRAME PARTS

For Model: KFCK03ITWH0
(White)



Illus. No.	Part No.	DESCRIPTION
1		Frame (Not A Serviceable Part)
2	9870867	Shield, Slide Track (2)
3	9870976	Frame, Slide (R.H.)
	9870975	Frame, Slide (L.H.)
4	4153788	Bearing, Roller (2)
5	776356	Locknut, 3/8-24 (2)
6	777458	Screw, 6-32 x 3/8 (4)
7	3400938	Nut, 6-32 (4)
8	9870167	Pan, Bottom

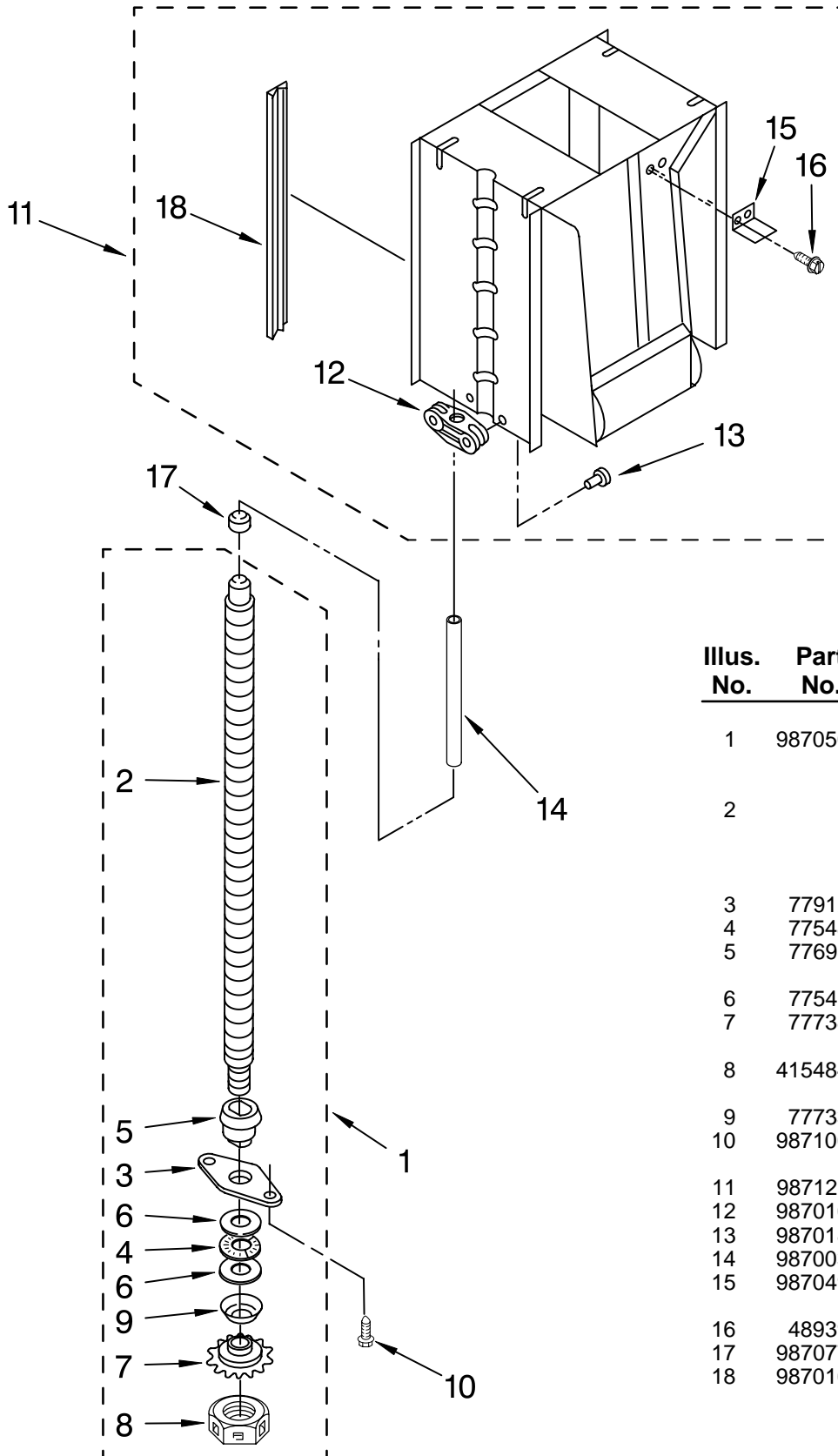
Illus. No.	Part No.	DESCRIPTION
9	489478	Screw, 8 x 1/2
10	775668	Angle, Top Support
11	777070	Screw, 8-32 x 5/16
12	776780	Barrier, Glass
13	4149377	Switch, Drawer Safety
14	777811	Switch, Top Limit & Directional
15	777849	Screw, 6-20 x 1" (2)
16	777850	Plate, Nut

Illus. No.	Part No.	DESCRIPTION
17	9872116	Wiring Harness & Power Cord
18	776119	Bushing, Cord
19	777035	Clamp, Wire
20	775526	Leveler, Front (2)
21	9870585	Wheel, Leveler (2)
22	780034	Screw, 10-24 x 3/8 (2)
23	9870444	Panel, Inner
24	777180	Spring, Container

FOR ORDERING INFORMATION REFER TO PARTS PRICE LIST

POWERSCREW AND RAM PARTS

For Model: KFCCK03ITWH0
(White)

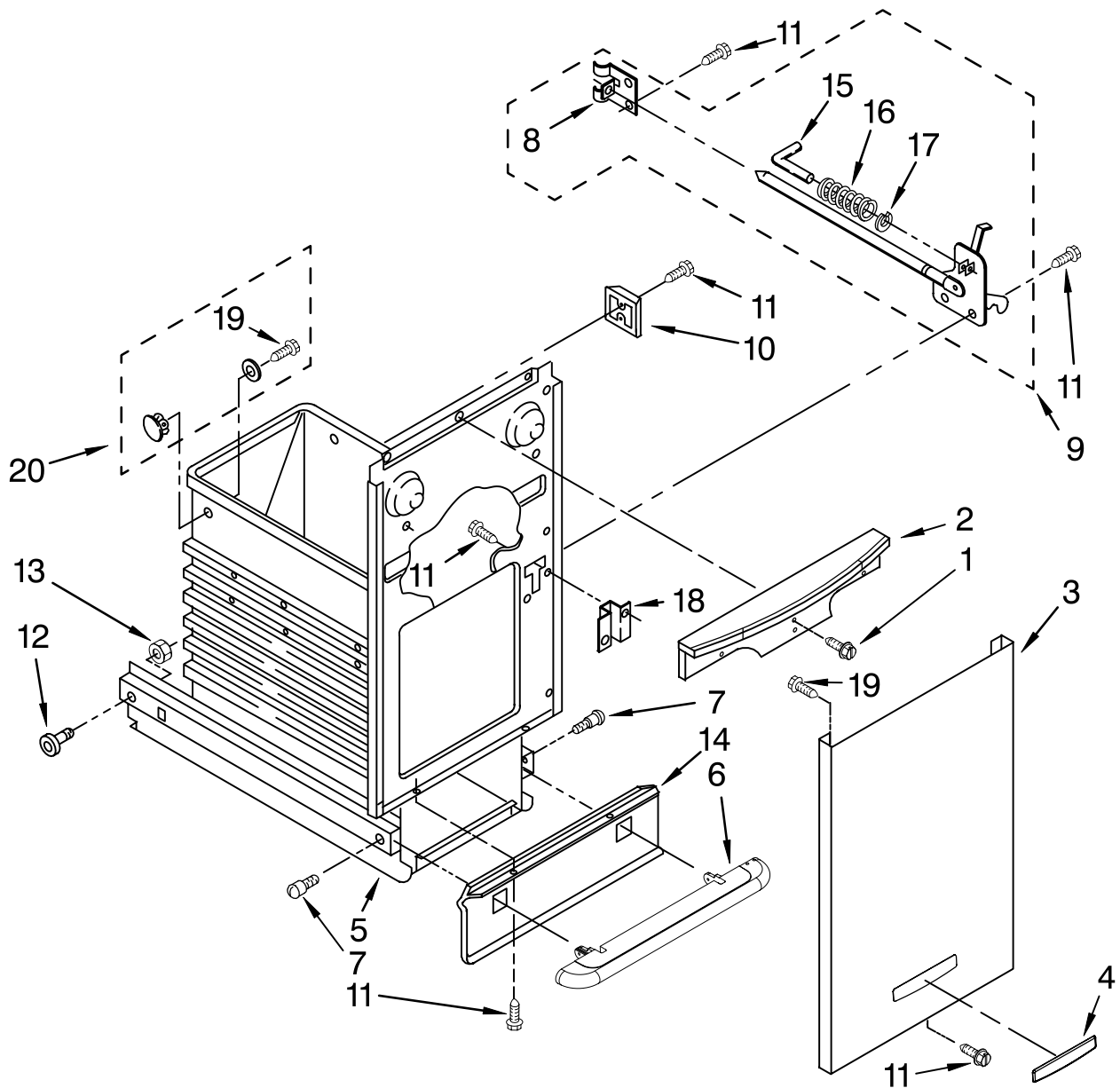


Illus. No.	Part No.	DESCRIPTION
1	9870500	Screw, Power Complete Assembly (2)
2		Screw, Power (Available Only As Complete Assembly)
3	779121	Plate, Bearing (2)
4	775482	Bearing, Needle (2)
5	776941	Hub, Power Screw (2)
6	775481	Race, Thrust (2)
7	777385	Sprocket, Washer (2)
8	4154842	Nut, Power Screw (2)
9	777332	Washer, Cone (2)
10	9871067	Screw, 1/4-20 x 3/4
11	9871251	Ram Assembly
12	9870163	Nut, Power
13	9870187	Stud
14	9870037	Stop, Ram
15	9870498	Bracket, Top Limit Switch
16	489399	Screw, (2)
17	9870775	Cap, Stop
18	9870169	Slide, Ram (4)

FOR ORDERING INFORMATION REFER TO PARTS PRICE LIST

CONTAINER PARTS

For Model: KFCK03ITWH0
(White)



Illus. No.	Part No.	DESCRIPTION
1	3400888	Screw (2)
2	9871235	Handle, Container White
3	9872238W	Panel, Container White
4	W10021860	Nameplate
5	9870996	Container Assembly
6	9871989W	Pedal, Foot White

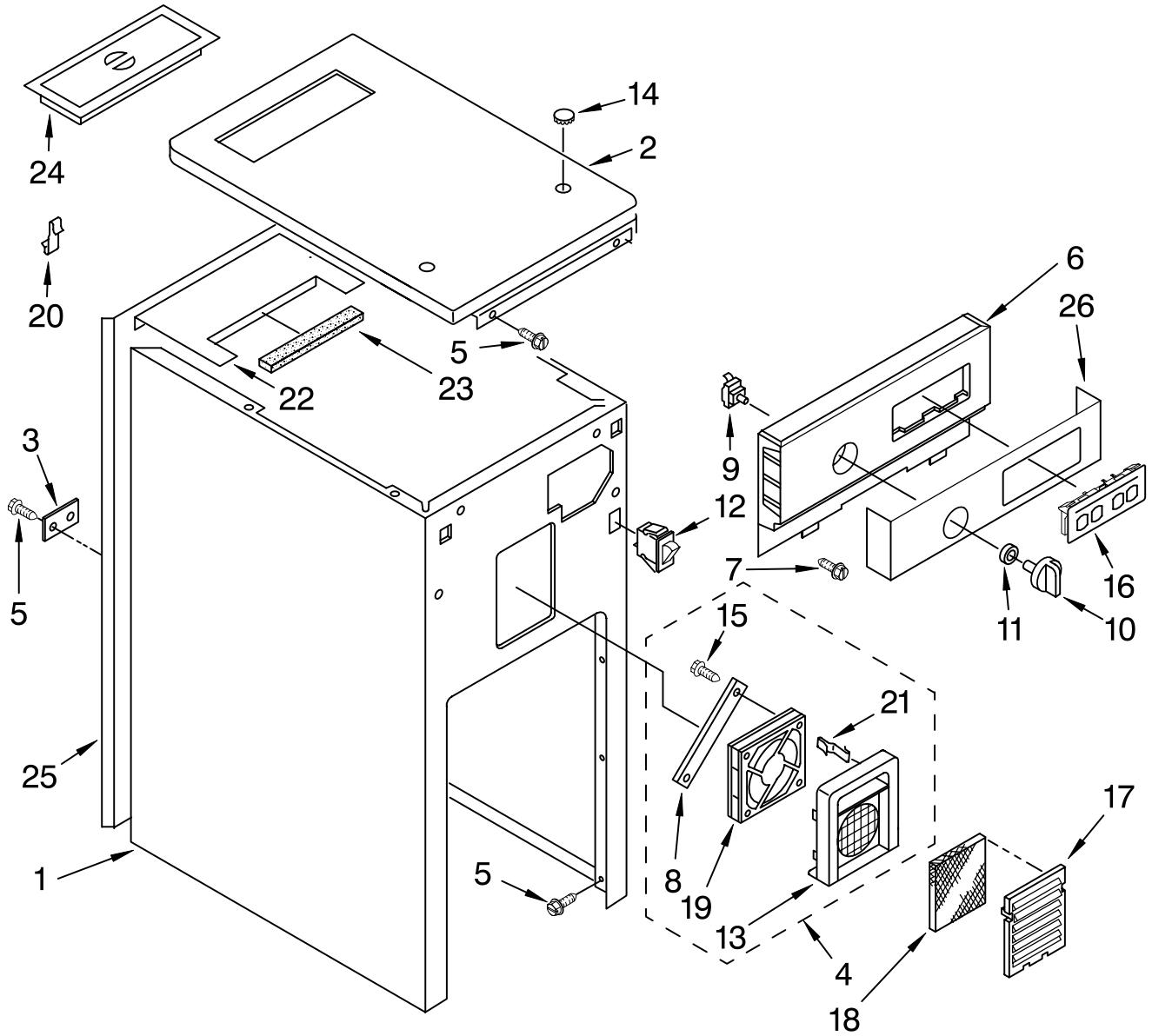
Illus. No.	Part No.	DESCRIPTION
7	780263	Screw, Shoulder #8-32 x 3/8 (2)
8	776395	Guide, Rear Latch
9	9870066	Latch Assembly
10	9871125	Spring, Safety Switch
11	489478	Screw, 8 x 1/2
12	9871602	Container, Bearing Roller

Illus. No.	Part No.	DESCRIPTION
13	776356	Locknut, 3/8-24 (2)
14	9871030	Plate, Toe Guard White
15	776654	Pin
16	775736	Spring, Latch
17	775735	Ring, "E"
18	775665	Plate, Latch
19	3196175	Screw
20	4147703	Retainer, Bag (Contains 4 Each)

FOR ORDERING INFORMATION REFER TO PARTS PRICE LIST

PANEL AND CONTROL PARTS

For Model: KFCK03ITWH0
(White)



PANEL AND CONTROL PARTS

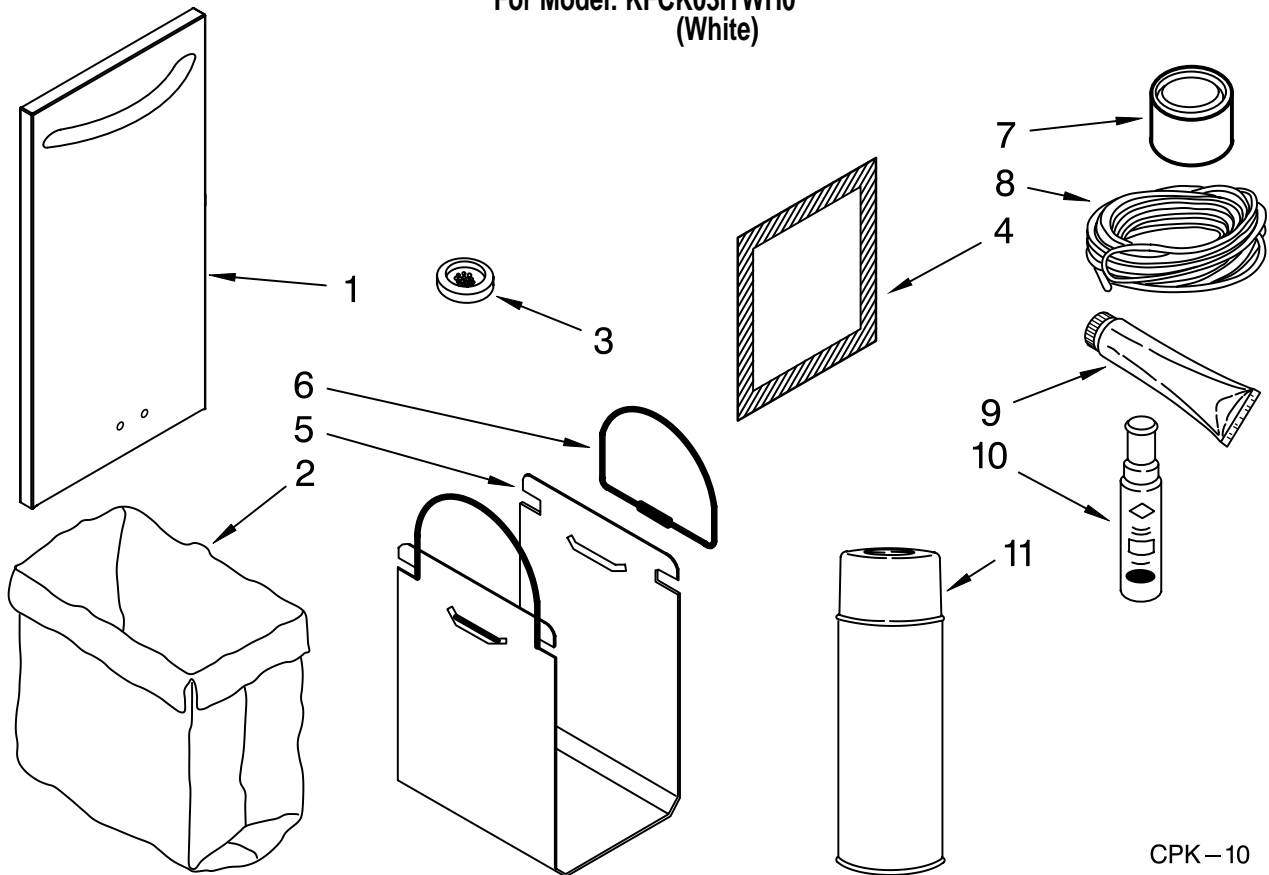
For Model: KFCK03ITWH0
(White)

Illus. No.	Part No.	DESCRIPTION	Illus. No.	Part No.	DESCRIPTION	Illus. No.	Part No.	DESCRIPTION
1		Cabinet	11	777383	Nut, Rotary	18	4151750	Filter, Charcoal
	9870913	White			Switch	19	9871051	Fan, Filter
2		Top, Cabinet	12	4152058	Switch, Drawer	20	4151897	Clip, Wire
	9871075	White			Compartment, Air Freshener	21	4151897	S-Clip
3	775676	Plate, Power Cord	13	4151442	Plug, Hole	22	780438	Plate, Bag Storage (Includes No. 23)
4	9871893	Fan Mount Assembly		4151479	White	23	776780	Barrier, Glass
5	489478	Screw, 8 x 1/2AB (6)	14		Switch Assembly	24		Lid, Bag Storage
		Escutcheon, Control	15	780034	Screw, 10-24 x 3/8		608739	White
6	9871746	White	16		9872326W	25	9870863	Panel, Back
7	246131	Screw, 6-20 x 3/8 (2)	17		Cover, Air Freshener	26		Insert, Escutcheon
8	4152703	Strap, Fan		9870911	White		9872198W	White
9	608824	Switch, Rotary Start-Run						
10		Knob, Rotary Switch						
	9871799	White						

FOR ORDERING INFORMATION REFER TO PARTS PRICE LIST

ACCESSORY PARTS

For Model: KFCK03ITWH0
(White)



CPK-10

Illus. No.	Part No.	DESCRIPTION	Illus. No.	Part No.	DESCRIPTION	Illus. No.	Part No.	DESCRIPTION
The Accessory Parts Listed Below May or May Not Be Included With Your Compactor.			5	13030	Carrier, Bag (Includes No. 6)	11		Paint, Spray 13 Oz.
1		Panel, Container Front/Handle	6	777108	Handle, Bag Carrier	350956		Almond
	4396297	White/White	7	675351	Grease, 4 Oz. (Use on Power Screw & Ram Pressure Pads)	285006		Black
	4396296	Black/Black	8		Wire, 25' Roll	4392901		Biscuit
	4396298	Biscuit/Biscuit		10875	Blue 16 Ga.	350930		White
	4396299	Cobalt Blue/SSt.		242820	Black 14 Ga.	OPTIONAL PARTS NOT ILLUSTRATED		
	4396300	Empire Red/SSt.		242825	Red 14 Ga.			Framed Trim Kits
	9871805	Majestic Yellow w/SSt. Handle		242826	White 14 Ga.			9871382 White
2		Bag, Trash (15" Plastic)		47261	Black 12 Ga.			9871383 Black
	4318921	15 Pack		299885	Red 12 Ga.			9871600 Biscuit
	4318922	60 Pack	9		Adhesive, Insulation (2oz Tube)			Previous Architect Series Handle Kit
	94318921	12 Boxes of 15 Pack (15" Paper)		279368	Paint, Touch-Up 1/2 Oz.			8564945 Stainless Steel
	675186	12 Pack	10					
	882652	48 Pack		72107	Almond			
3	777635	Deodorizer, Solid Stick-Ups (2-Pack)		72017	White			
4		Deodorizer Block		72032	Black			
	9872166LG	Lemongrove		4892899	Biscuit			
	9872166GA	Green Apple		8171571	Cobalt Blue			
	9872166L	Lavender		8171651	Hunter Green			
				8171652	Empire Red			
				8171653	Majestic Yellow			

FOR ORDERING INFORMATION REFER TO PARTS PRICE LIST

Free Manuals Download Website

<http://myh66.com>

<http://usermanuals.us>

<http://www.somanuals.com>

<http://www.4manuals.cc>

<http://www.manual-lib.com>

<http://www.404manual.com>

<http://www.luxmanual.com>

<http://aubethermostatmanual.com>

Golf course search by state

<http://golfingnear.com>

Email search by domain

<http://emailbydomain.com>

Auto manuals search

<http://auto.somanuals.com>

TV manuals search

<http://tv.somanuals.com>