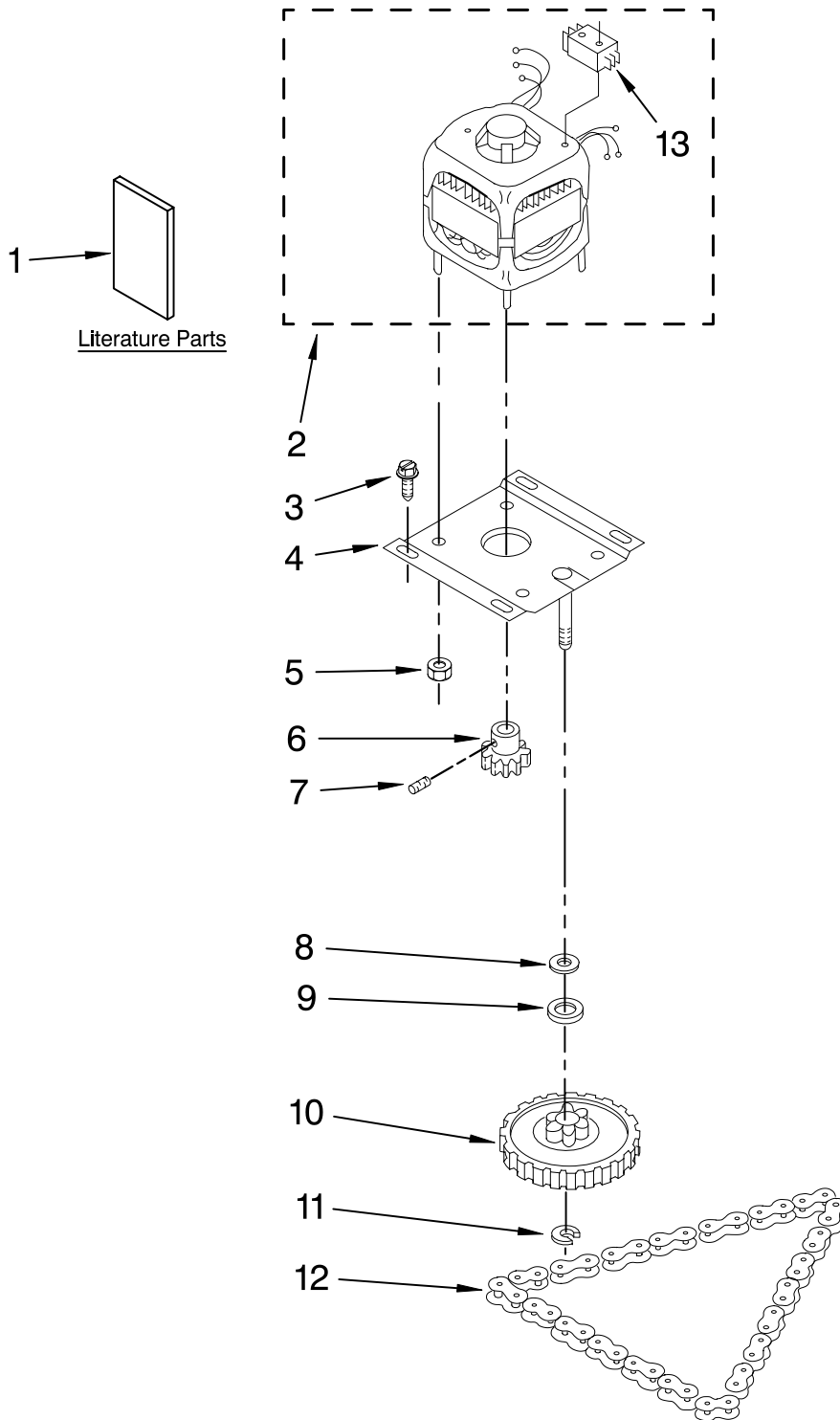


# MOTOR AND DRIVE PARTS

TRASH COMPACTOR

For Models: KUCS03CTWH0, KUCS03CTBL0, KUCS03CTSS0  
(White) (Black) (Stainless)

**KitchenAid®**



Illus. No.	Part No.	DESCRIPTION
1	9871923	Literature Parts
	9872216	Sheet, Tech
	9872216	Guide, Use & Care
2	9870343	Motor, Drive
		(Includes No. 13)
3	9871067	Screw,
		1/4-20 x 3/4 (4)
4	776327	Plate, Drive
		Mount
5	776338	Locknut, 10-32 (4)
6	4149667	Gear, Drive
7	454512	Pin, Slotted
		Spring
8	776035	Washer, Wave
9	297462	Washer, Thrust
10	777124	Gear, Driven
11	776036	Clip, Ring
12	780477	Chain, Drive
13	777971	Switch, Motor

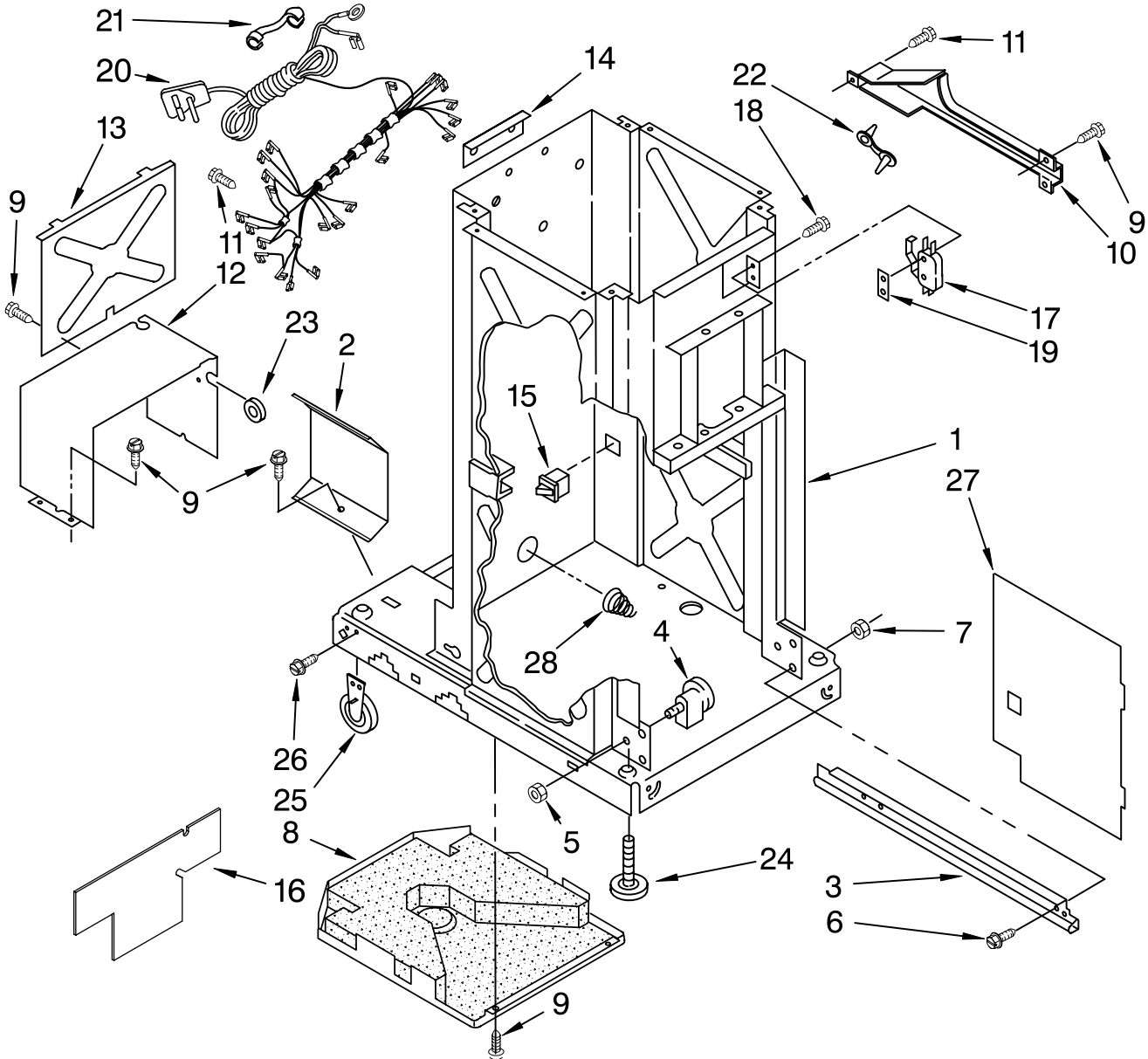
**Parts Not Illustrated and  
Optional Parts (Not Included)**

9870118 Undercounter  
Conversion Kit

FOR ORDERING INFORMATION REFER TO PARTS PRICE LIST

# FRAME PARTS

For Models: KUCS03CTWH0, KUCS03CTBL0, KUCS03CTSS0  
(White) (Black) (Stainless)



Illus. No.	Part No.	DESCRIPTION
1		Frame (Not A Serviceable Part)
2	9870867	Shield, Slide Track (2)
3	9870976	Frame, Slide (R.H.)
4	9870975	Frame, Slide (L.H.)
4	4153788	Bearing, Roller (2)
5	776356	Locknut, 3/8-24 (2)
6	777458	Screw, 6-32 x 3/8 (4)
7	3400938	Nut, 6-32 (4)
8	9870167	Pan, Bottom
9	489478	Screw, 8 x 1/2
10	4149659	Shield, Harness

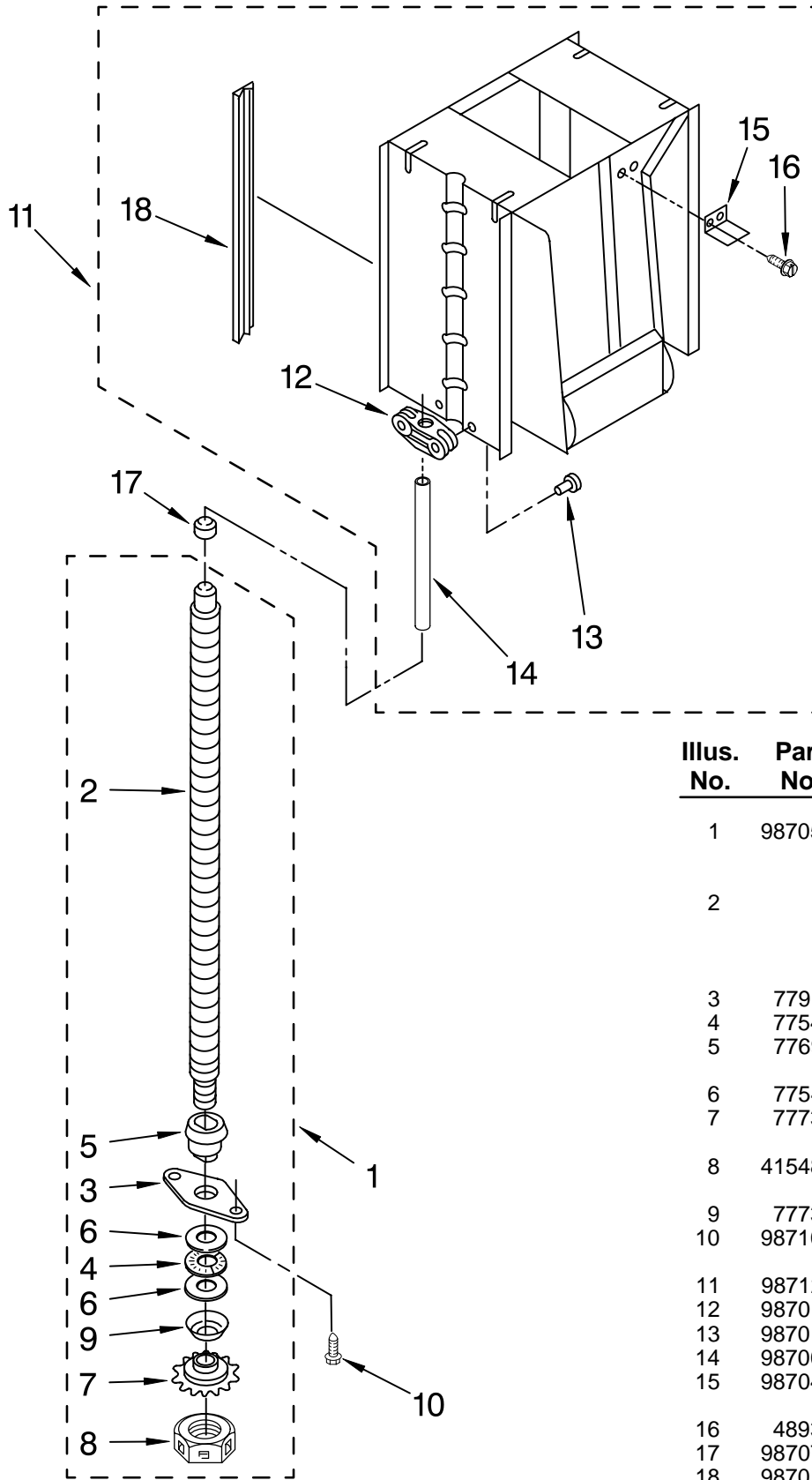
Illus. No.	Part No.	DESCRIPTION
11	777070	Screw, 8-32 x 5/16
12	780434	Cover, Motor
13	608009	Plate, Motor Cover
14	775668	Angle-Frame, Plate
15	4149377	Switch, Drawer Safety
16	9872154	Insulation
17	777811	Switch, Top Limit & Directional
18	777849	Screw, 6-20 x 1" (2)
19	777850	Plate, Nut

Illus. No.	Part No.	DESCRIPTION
20	9872117	Wiring Harness & Power Cord
21	776119	Bushing, Cord
22	777035	Clamp, Wire
23	776118	Grommet, Motor Cover
24	775526	Leveler, Front (2)
25	9870585	Wheel, Leveler (2)
26	780034	Screw, 10-24 x 3/8 (2)
27	9870444	Panel, Inner
28	777180	Spring, Container

FOR ORDERING INFORMATION REFER TO PARTS PRICE LIST

# POWERSCREW AND RAM PARTS

For Models: KUCS03CTWH0, KUCS03CTBL0, KUCS03CTSS0  
(White) (Black) (Stainless)

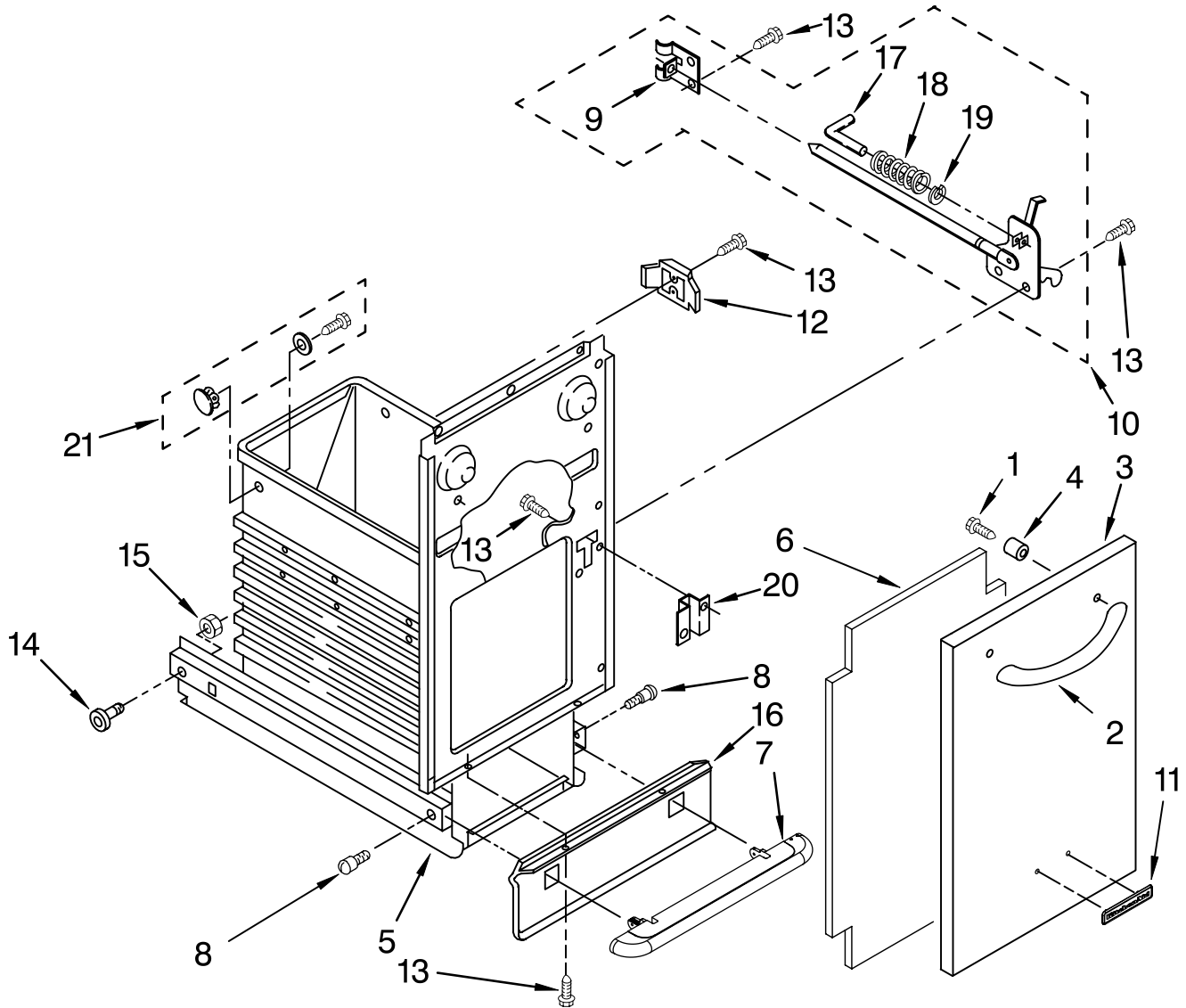


Illus. No.	Part No.	DESCRIPTION
1	9870500	Screw, Power Complete Assembly (2)
2		Screw, Power (Available Only As Complete Assembly)
3	779121	Plate, Bearing (2)
4	775482	Bearing, Needle (2)
5	776941	Hub, Power Screw (2)
6	775481	Race, Thrust (2)
7	777385	Sprocket, Washer (2)
8	4154842	Nut, Power Screw (2)
9	777332	Washer, Cone (2)
10	9871067	Screw, 10-24 x 3/4 (4)
11	9871251	Ram Assembly
12	9870163	Nut, Power (2)
13	9870187	Stud (2)
14	9870037	Stop, Ram (2)
15	9870498	Bracket, Top Limit Switch
16	489399	Screw, (2)
17	9870775	Cap, Stop (2)
18	9870169	Slide, Ram (4)

FOR ORDERING INFORMATION REFER TO PARTS PRICE LIST

# CONTAINER PARTS

For Models: KUCS03CTWH0, KUCS03CTBL0, KUCS03CTSS0  
(White) (Black) (Stainless)



Illus. No.	Part No.	DESCRIPTION
1	246131	Screw
2	9872206W	Handle, Container White
	9872206B	Black
	9872206S	Stainless
3	9872241W	Panel, Container White
	9872241B	Black
	9872241S	Stainless
4	9871563	Spacer, Handle
5	9870996	Container Assembly
6	9872153	Insulation, Panel

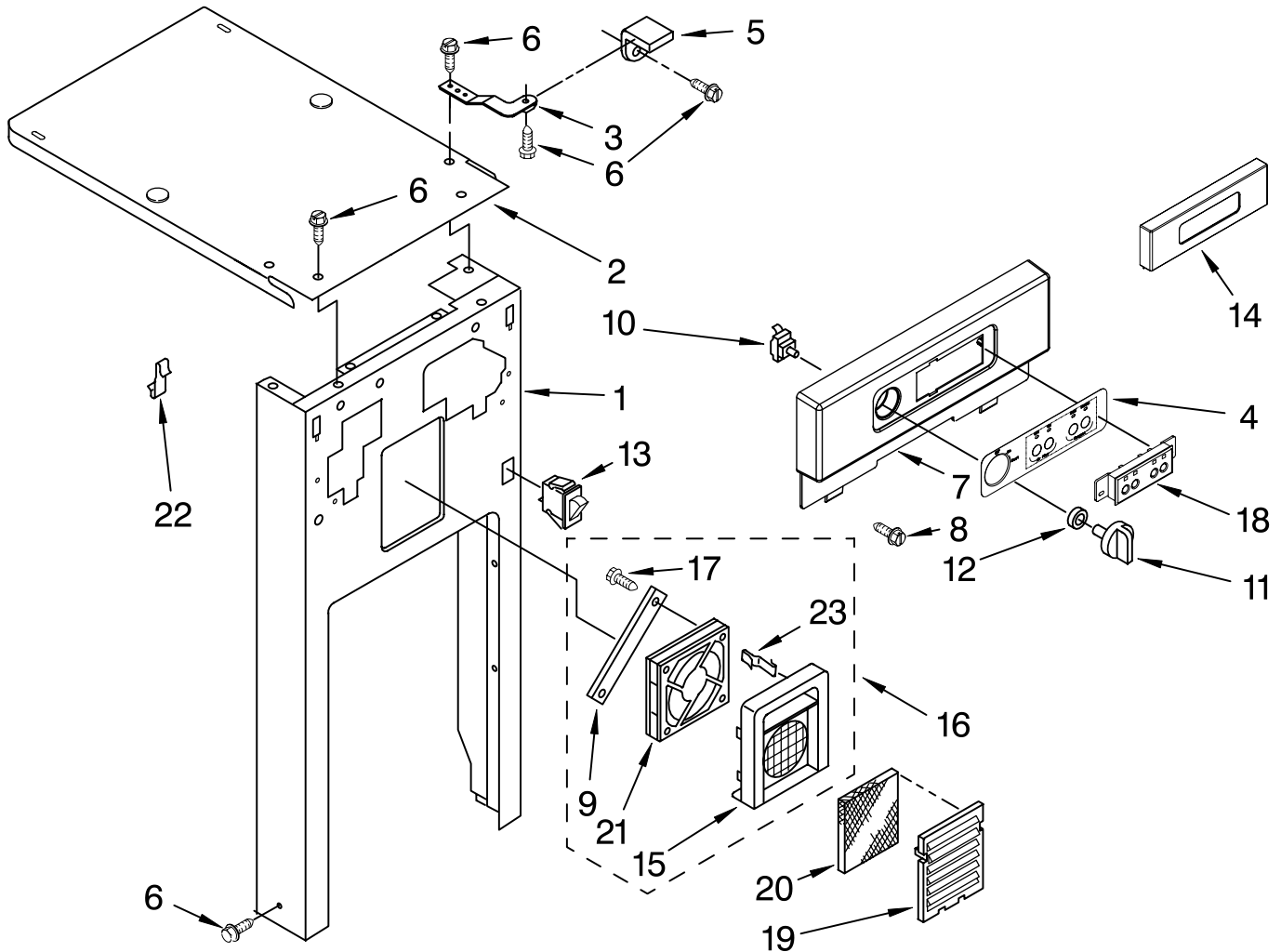
Illus. No.	Part No.	DESCRIPTION
7	9871989W	Pedal, Foot White
	9871989B	Black
8	780263	Screw, Shoulder #8-32 x 3/8 (2)
9	776395	Guide, Rear Latch
10	9870066	Latch Assembly
11	W10021860	Nameplate White
	W10021870	Black
	W10021850	Stainless
12	9871125	Spring, Safety Switch

Illus. No.	Part No.	DESCRIPTION
13	489478	Screw, 8 x 1/2
14	9871602	Container, Bearing Roller
15	776356	Locknut, 3/8-24 (2)
16	9871030	Plate, Toe Guard White
	777328	Black
17	776654	Pin
18	775736	Spring, Latch
19	775735	Ring, "E"
20	775665	Plate, Latch
21	4147703	Retainer, Bag (Contains 4 Each)

FOR ORDERING INFORMATION REFER TO PARTS PRICE LIST

# CONTROL PANEL PARTS

For Models: KUCS03CTWH0, KUCS03CTBL0, KUCS03CTSS0  
(White) (Black) (Stainless)



Illus. No.	Part No.	DESCRIPTION
1		Panel, Front Frame
	9871073	White
	9871072	Black
2	9871825	Cover, Top
3	9871993	Bracket, Retainer
4		Insert, Escutcheon
	9872325W	White
	9872325B	Black
	9872325S	Stainless
5	780239	Bracket, Retainer (Alternate) (2)
6	489478	Screw, 8 x 1/2AB (6)
7		Escutcheon, Control
	9872144W	White
	9872144B	Black

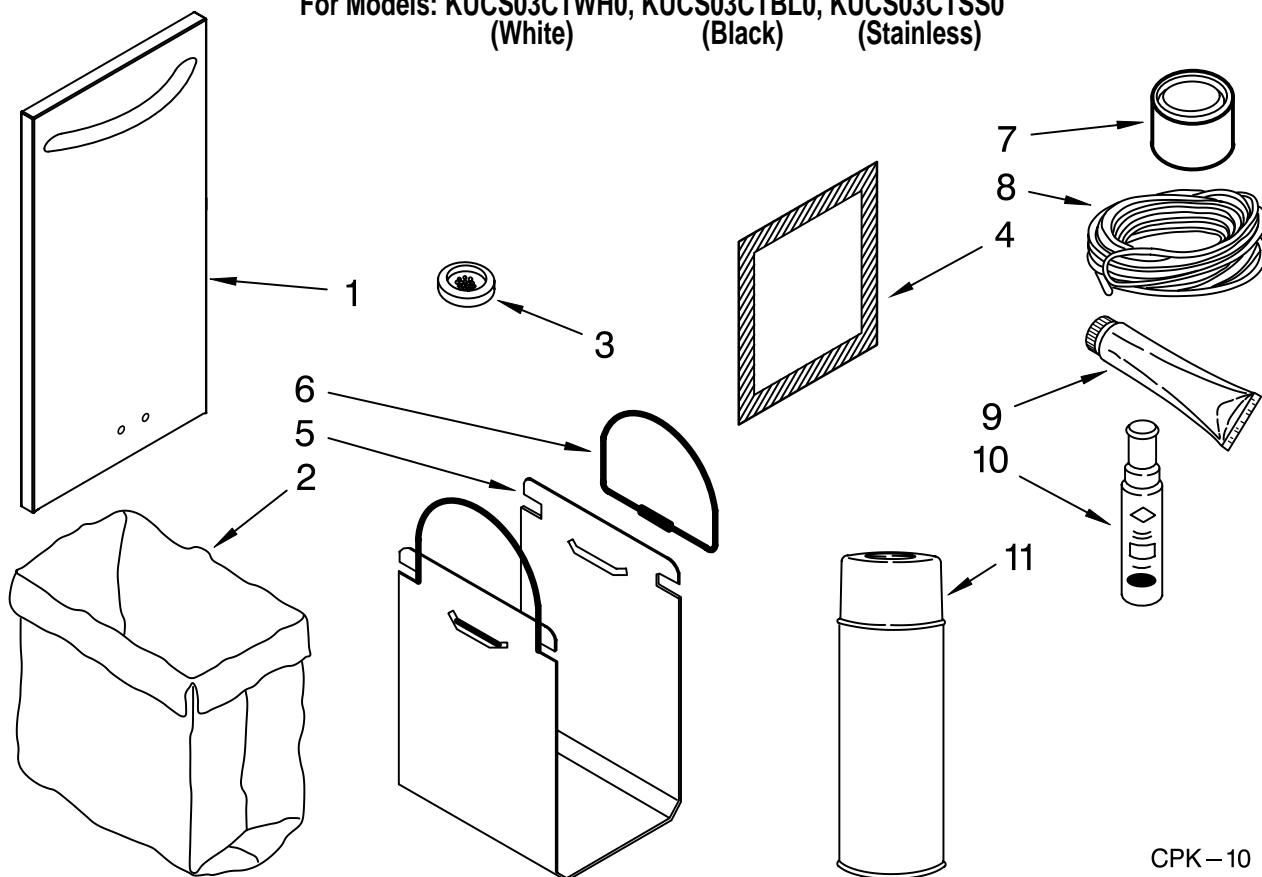
Illus. No.	Part No.	DESCRIPTION
8	246131	Screw, 6-20 x 3/8 (2)
9	4152703	Strap, Fan
10	608824	Switch, Rotary Start-Run
11		Knob, Rotary Switch
	9871799	White
	9871800	Black
12	777383	Nut, Rotary Switch
13	9871829	Switch, Drawer
14	9872162S	Cover, Console (Stainless Model Only)

Illus. No.	Part No.	DESCRIPTION
15	4151442	Compartment, Air Freshener
16	9871893	Fan Mount Assembly
17	780034	Screw, 10-24 x 3/8
18	9872148	Switch Assembly Cover, Air Freshener
	9870911	White
	9871099	Black
20	4151750	Filter, Charcoal
21	9871051	Fan, Filter
22	4151897	Clip, Wire
23	4151897	S-Clip

FOR ORDERING INFORMATION REFER TO PARTS PRICE LIST

# ACCESSORY PARTS

For Models: KUCS03CTWH0, KUCS03CTBL0, KUCS03CTSS0  
(White) (Black) (Stainless)



CPK-10

Illus. No.	Part No.	DESCRIPTION	Illus. No.	Part No.	DESCRIPTION	Illus. No.	Part No.	DESCRIPTION
	The Accessory Parts Listed Below May or May Not Be Included With Your Compactor.		5	13030	Carrier, Bag (Includes No. 6)	11		Paint, Spray 13 Oz.
1		Panel, Container Front/Handle	6	777108	Handle, Bag Carrier	350956		Almond
	4396297	White/White	7	675351	Grease, 4 Oz. (Use on Power Screw & Ram Pressure Pads	285006		Black
	4396296	Black/Black				4392901		Biscuit
	4396298	Biscuit/Biscuit	8		Wire, 25' Roll	350930		White
	4396299	Cobalt Blue/SSt.		10875	Blue 16 Ga.	<b>OPTIONAL PARTS</b>		
	4396300	Empire Red/SSt.		242820	Black 14 Ga.	<b>NOT ILLUSTRATED</b>		
	9871805	Majestic Yellow w/SSt. Handle		242825	Red 14 Ga.			Framed Trim Kits
2		Bag, Trash (15" Plastic)		242826	White 14 Ga.	9871382		White
	4318921	15 Pack		47261	Black 12 Ga.	9871383		Black
	4318922	60 Pack		299885	Red 12 Ga.	9871600		Biscuit
	94318921	12 Boxes of 15 Pack (15" Paper)	9	279368	Adhesive, Insulation (2oz Tube)	Previous Architect Series Handle Kit		
	675186	12 Pack	10		Paint, Touch-Up 1/2 Oz.	8564945		Stainless Steel
	882652	48 Pack		72107	Almond			
3	777635	Deodorizer, Solid Stick-Ups (2-Pack)		72017	White			
4		Deodorizer Block		72032	Black			
	9872166LG	Lemongrove		4892899	Biscuit			
	9872166GA	Green Apple		8171571	Cobalt Blue			
	9872166L	Lavender		8171651	Hunter Green			
				8171652	Empire Red			
				8171653	Majestic Yellow			

FOR ORDERING INFORMATION REFER TO PARTS PRICE LIST

## Free Manuals Download Website

<http://myh66.com>

<http://usermanuals.us>

<http://www.somanuals.com>

<http://www.4manuals.cc>

<http://www.manual-lib.com>

<http://www.404manual.com>

<http://www.luxmanual.com>

<http://aubethermostatmanual.com>

Golf course search by state

<http://golfingnear.com>

Email search by domain

<http://emailbydomain.com>

Auto manuals search

<http://auto.somanuals.com>

TV manuals search

<http://tv.somanuals.com>