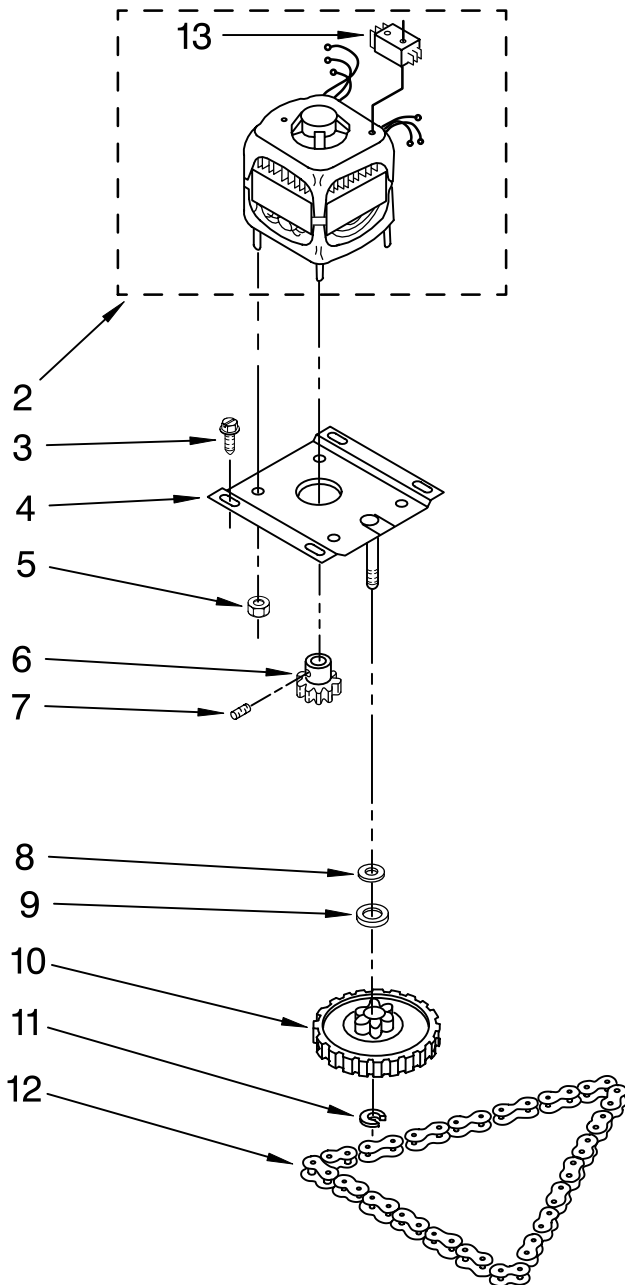
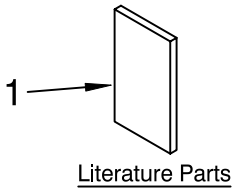


MOTOR AND DRIVE PARTS

TRASH COMPACTOR

For Models: KUCS03FTPA0, KUCS03FTSS0
(No-Panel) (Stainless)

KitchenAid®



Illus. No.	Part No.	DESCRIPTION
1		Literature Parts
	9871923	Tech Sheet
	9872215	Guide, Use & Care
2	9870343	Motor, Drive (Includes No. 13)
3	9871067	Screw,
4	776327	Plate, Drive Mount
5	776338	Locknut
6	4149667	Gear, Drive
7	454512	Pin, Slotted Spring
8	776035	Washer, Wave
9	297462	Washer, Thrust
10	777124	Gear, Driven
11	776036	Clip, Ring
12	780477	Chain, Drive
13	777971	Switch, Motor

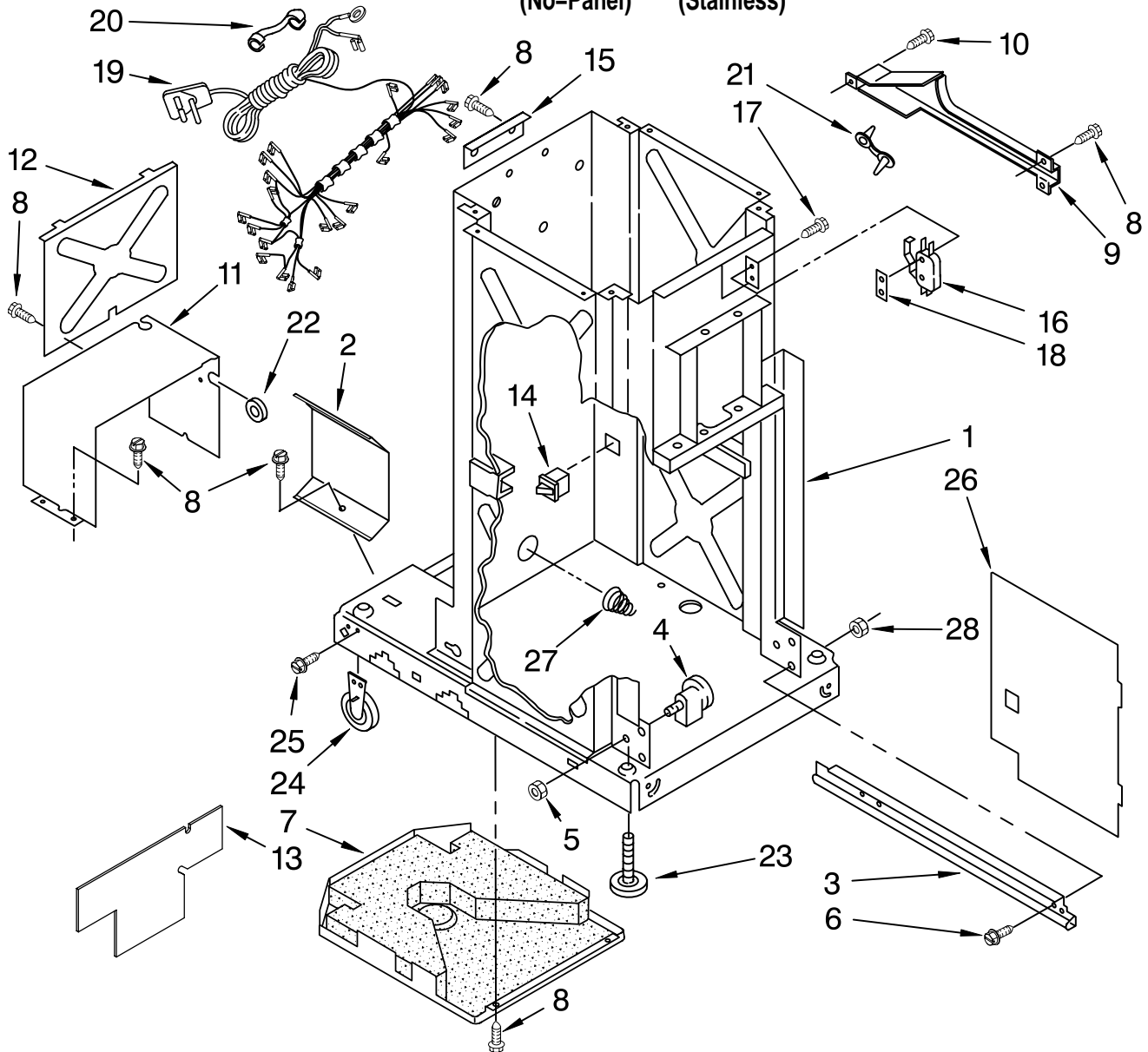
Parts Not Illustrated and
Optional Parts (Not Included)

9870118 Undercounter
Conversion Kit

FOR ORDERING INFORMATION REFER TO PARTS PRICE LIST

FRAME PARTS

For Models: KUCS03FTPA0, KUCS03FTSS0
(No-Panel) (Stainless)



Illus. No.	Part No.	DESCRIPTION
1		Frame (Not A Serviceable Part)
2	9870867	Shield, Slide Track
3	9870976	Frame, Slide (R.H.)
	9870975	Frame, Slide (L.H.)
4	4153788	Bearing, Roller
5	776356	Locknut
6	777458	Screw
7	9870167	Pan, Bottom
8	489478	Screw
9	4149659	Shield, Harness
10	777070	Screw
11	780434	Cover, Motor

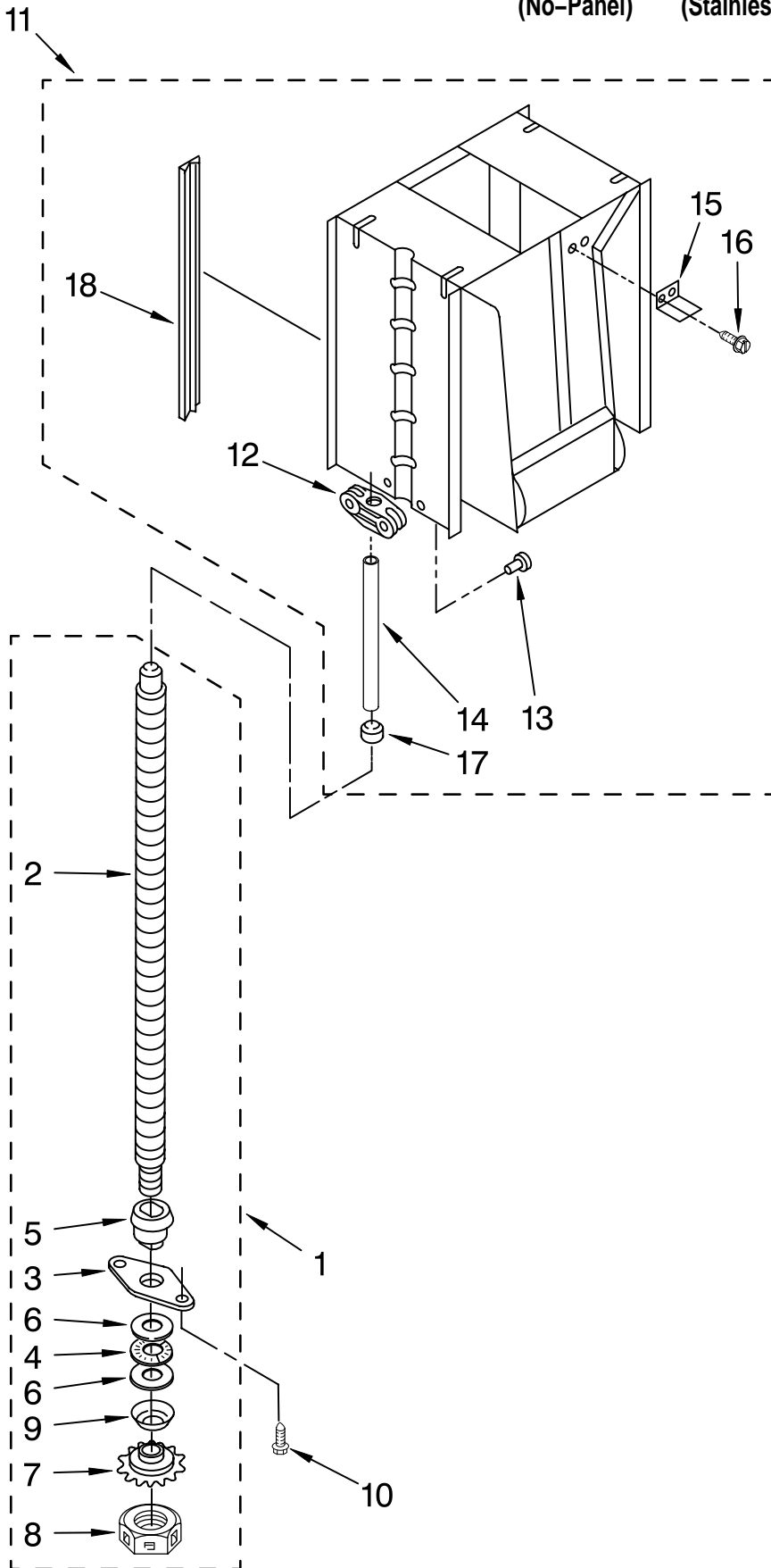
Illus. No.	Part No.	DESCRIPTION
12	608009	Plate, Motor Cover
13	9872154	Insulation
14	4149377	Switch, Drawer Safety
15	775668	Angle, Top Support
16	777811	Switch, Top Limit & Directional
17	777849	Screw
18	777850	Plate, Nut
19	9872118	Wiring Harness & Power Cord

Illus. No.	Part No.	DESCRIPTION
20	776119	Bushing, Cord
21	777035	Clamp, Wire
22	776118	Grommet, Motor Cover
23	775526	Leveler, Front
24	9870585	Wheel, Leveler
25	780034	Screw
26	9870444	Panel, Inner
27	777180	Spring, Container
28	3400938	Nut

FOR ORDERING INFORMATION REFER TO PARTS PRICE LIST

POWERSCREW AND RAM PARTS

For Models: KUCS03FTPA0, KUCS03FTSS0
(No-Panel) (Stainless)

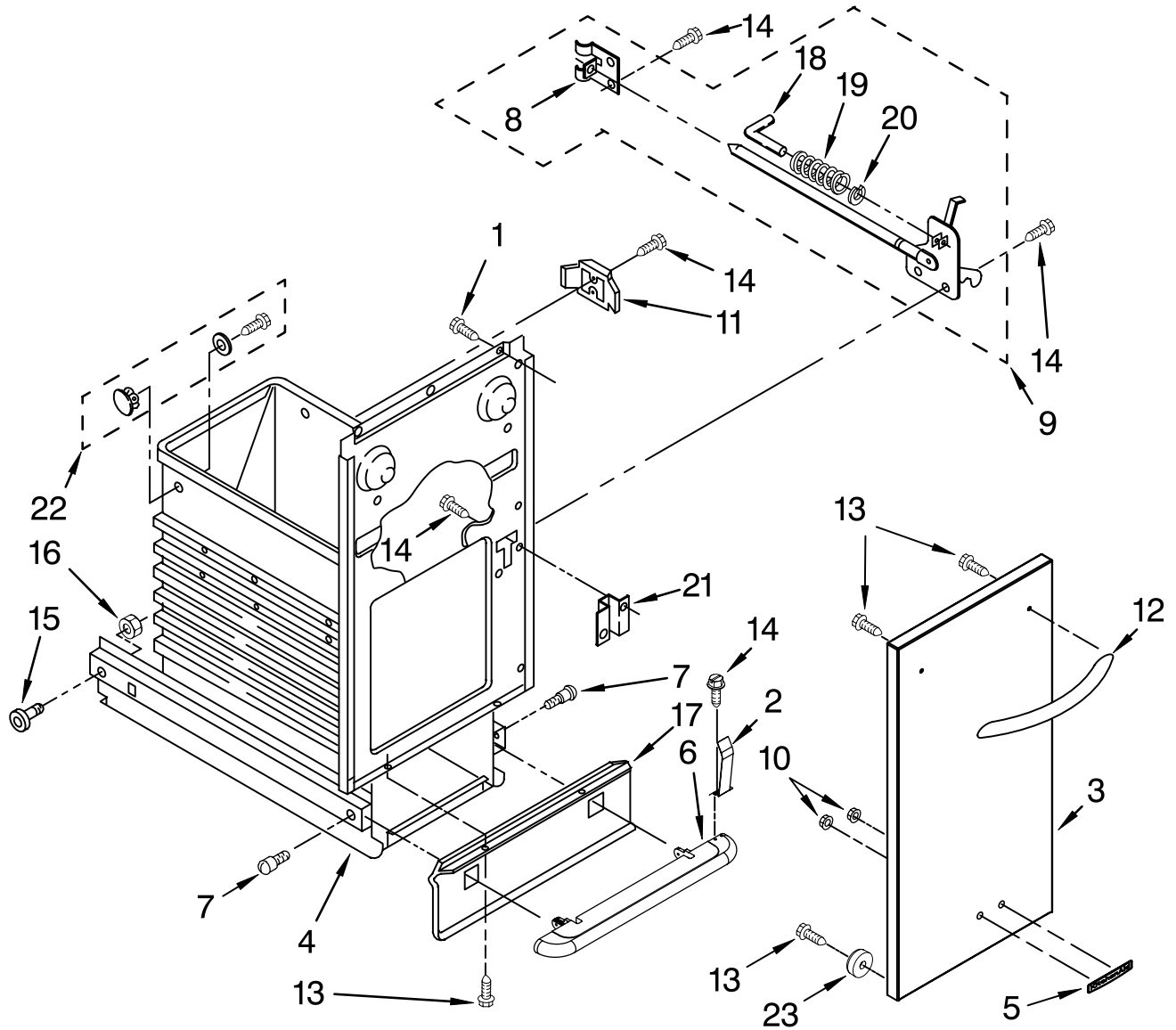


Illus. No.	Part No.	DESCRIPTION
1	9870500	Screw, Power Complete Assembly
2		Screw, Power (Available Only As Complete Assembly)
3	779121	Plate, Bearing
4	775482	Bearing, Needle
5	776941	Hub, Power Screw
6	775481	Race, Thrust
7	777385	Sprocket, Washer
8	4154842	Nut, Power Screw
9	777332	Washer, Cone
10	9871067	Screw
11	9871251	Ram Assembly
12	9870163	Nut, Power
13	9870187	Stud
14	9870037	Stop, Ram
15	9870498	Bracket, Top Limit Switch
16	489399	Screw
17	9870775	Cap, Stop
18	9870169	Slide, Ram

FOR ORDERING INFORMATION REFER TO PARTS PRICE LIST

CONTAINER PARTS

For Models: KUCS03FTPA0, KUCS03FTSS0
(No-Panel) (Stainless)



Illus. No.	Part No.	DESCRIPTION
1	4152204	Screw
2	9871976	Actuator Switch
3	9872232S	Panel, Container Front
4	9870996	Container Assembly
5	W10021850	Nameplate
6	9871989B	Pedal, Foot Black
7	780263	Screw, Shoulder

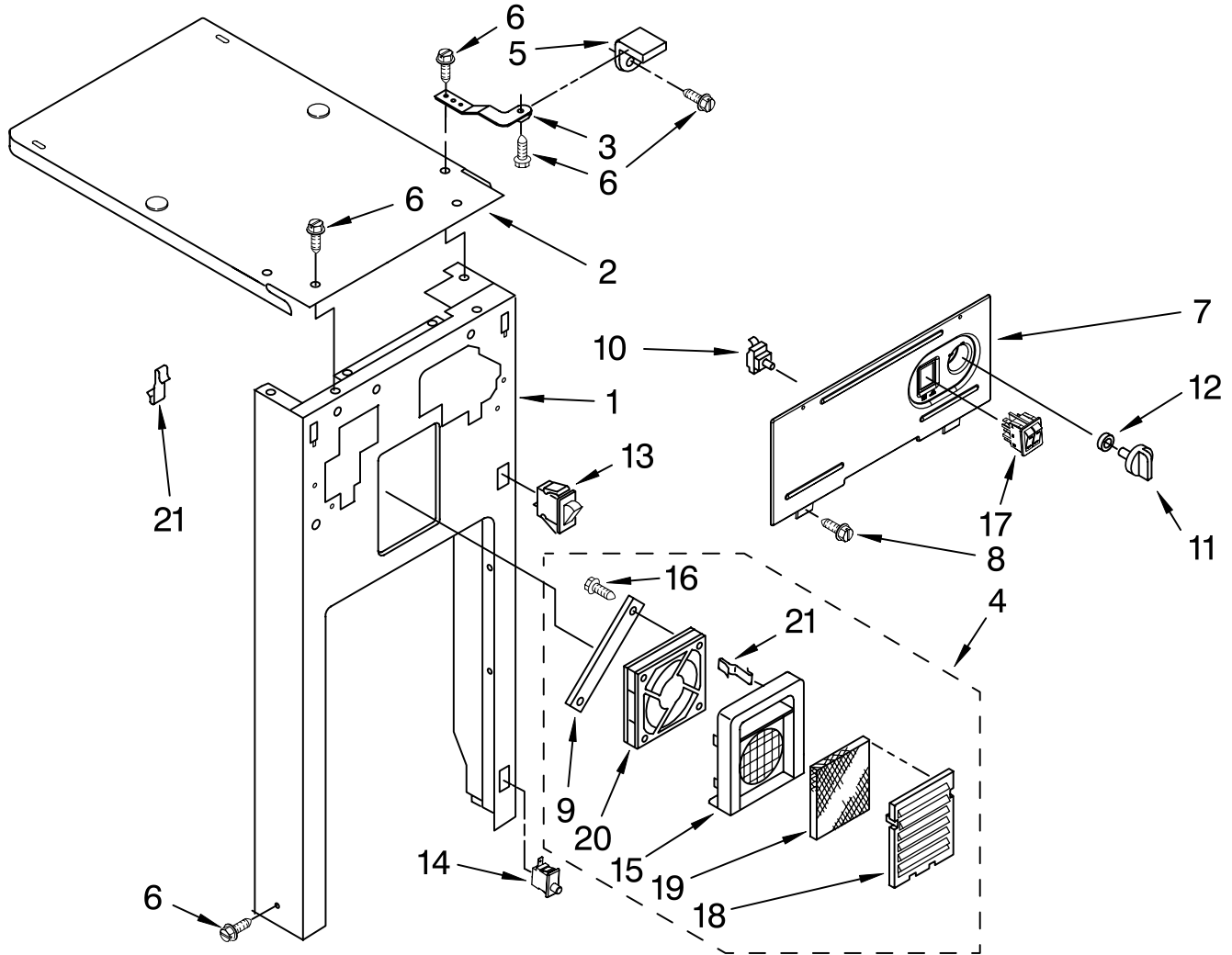
Illus. No.	Part No.	DESCRIPTION
8	776395	Guide, Rear Latch
9	9870066	Latch Assembly
10	2004333	Nut
11	9871125	Spring, Safety Switch
12	9872206S	Handle
13	3196175	Screw
14	489478	Screw
15	9871602	Container, Bearing Roller

Illus. No.	Part No.	DESCRIPTION
16	776356	Locknut, Plate, Toe Guard
17	777328	Black
18	776654	Pin
19	775736	Spring, Latch
20	775735	Ring, "E"
21	775665	Plate, Latch
22	4147703	Retainer, Bag (Contains 4 Each)
23	9872369	Bumper, Rubber

FOR ORDERING INFORMATION REFER TO PARTS PRICE LIST

PANEL AND CONTROL PARTS

For Models: KUCS03FTPA0, KUCS03FTSS0
(No-Panel) (Stainless)



Illus. No.	Part No.	DESCRIPTION
1		Panel, Front Frame
	9871977	Black
2	608572	Cover, Top
3	9871993	Bracket, Retainer
4	9871893	Fan Mount Assembly
5	780239	Bracket, Retainer (Alternate)
6	489478	Screw
7		Escutcheon, Control
	9871906B	Black
8	246131	Screw

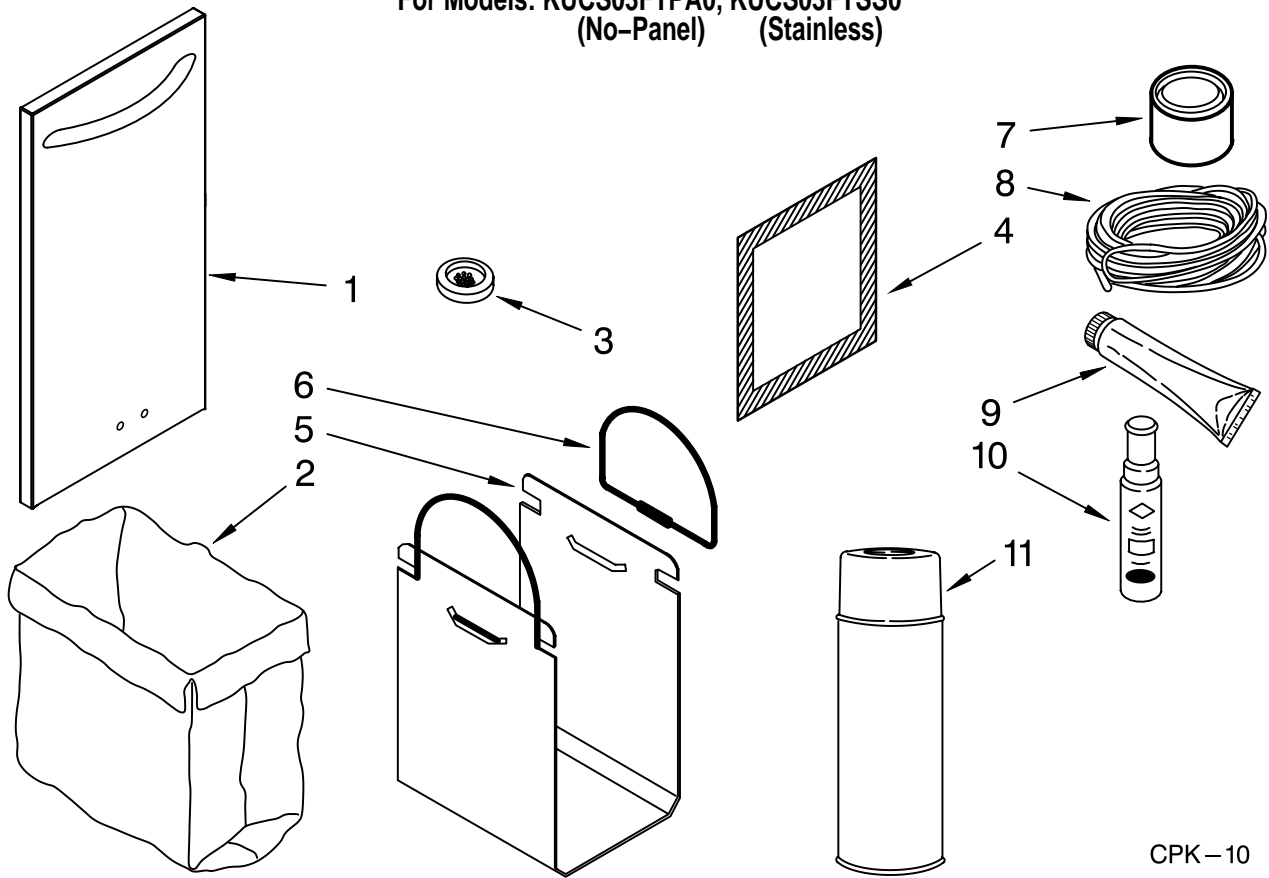
Illus. No.	Part No.	DESCRIPTION
9	4152703	Strap, Fan
10	9871971	Switch, Rotary Start-Run
11	9871920	Knob, Rotary Switch
12	777383	Nut, Rotary Switch
13	9871829	Switch, Drawer
14	9871984	Switch, Pushbutton
15	4151442	Compartment, Air Freshener

Illus. No.	Part No.	DESCRIPTION
16	780034	Screw
17		Switch Assembly
	9871973	Black
18		Cover, Air Freshener
	9871099	Black
19	4151750	Filter, Charcoal
20	9871051	Fan, Filter
21	4151897	Clip, Wire

FOR ORDERING INFORMATION REFER TO PARTS PRICE LIST

ACCESSORY PARTS

For Models: KUCS03FTPA0, KUCS03FTSS0
(No-Panel) (Stainless)



CPK-10

Illus. No.	Part No.	DESCRIPTION	Illus. No.	Part No.	DESCRIPTION	Illus. No.	Part No.	DESCRIPTION
The Accessory Parts Listed Below May or May Not Be Included With Your Compactor.			5	13030	Carrier, Bag (Includes No. 6)	11		Paint, Spray 13 Oz.
1		Panel, Container Front/Handle	6	777108	Handle, Bag Carrier	350956		Almond
	4396297	White/White	7	675351	Grease, 4 Oz. (Use on Power Screw & Ram Pressure Pads)	285006		Black
	4396296	Black/Black	8		Wire, 25' Roll	4392901		Biscuit
	4396298	Biscuit/Biscuit		10875	Blue 16 Ga.	350930		White
	4396299	Cobalt Blue/SSt.		242820	Black 14 Ga.	OPTIONAL PARTS NOT ILLUSTRATED		
	4396300	Empire Red/SSt.		242825	Red 14 Ga.	<p style="text-align: center;">Framed Trim Kits</p> <p>9871382 White</p> <p>9871383 Black</p> <p>9871600 Biscuit</p> <p>Previous Architect Series Handle Kit</p> <p>8564945 Stainless Steel</p>		
	9871805	Majestic Yellow w/SSt. Handle		242826	White 14 Ga.			
2		Bag, Trash (15" Plastic)		47261	Black 12 Ga.			
	4318921	15 Pack		299885	Red 12 Ga.			
	4318922	60 Pack		47263	White 12 Ga.			
	94318921	12 Boxes of 15 Pack (15" Paper)	9	279368	Adhesive, Insulation (2oz Tube)			
	675186	12 Pack	10		Paint, Touch-Up 1/2 Oz.			
	882652	48 Pack		72107	Almond			
3	777635	Deodorizer, Solid Stick-Ups (2-Pack)		72017	White			
		Deodorizer Block		72032	Black			
	9872166LG	Lemongrove		4892899	Biscuit			
	9872166GA	Green Apple		8171571	Cobalt Blue			
	9872166L	Lavender		8171651	Hunter Green			
				8171652	Empire Red			
				8171653	Majestic Yellow			

FOR ORDERING INFORMATION REFER TO PARTS PRICE LIST

Free Manuals Download Website

<http://myh66.com>

<http://usermanuals.us>

<http://www.somanuals.com>

<http://www.4manuals.cc>

<http://www.manual-lib.com>

<http://www.404manual.com>

<http://www.luxmanual.com>

<http://aubethermostatmanual.com>

Golf course search by state

<http://golfingnear.com>

Email search by domain

<http://emailbydomain.com>

Auto manuals search

<http://auto.somanuals.com>

TV manuals search

<http://tv.somanuals.com>