

KitchenAid®

HOME APPLIANCES

Installation Instructions **Use & Care Information**

Part No. 4324054/4360199 Rev. E

30" and 36" Retractable Downdraft Vent Systems

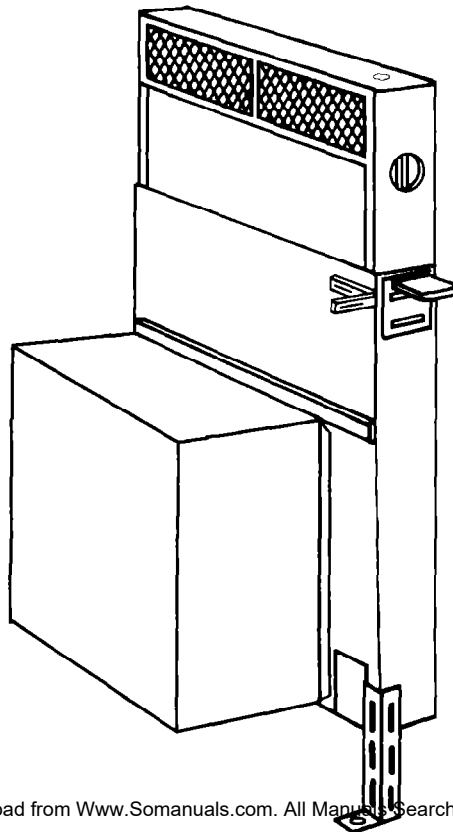
IMPORTANT:
**Read and save
these instructions.**

IMPORTANT:

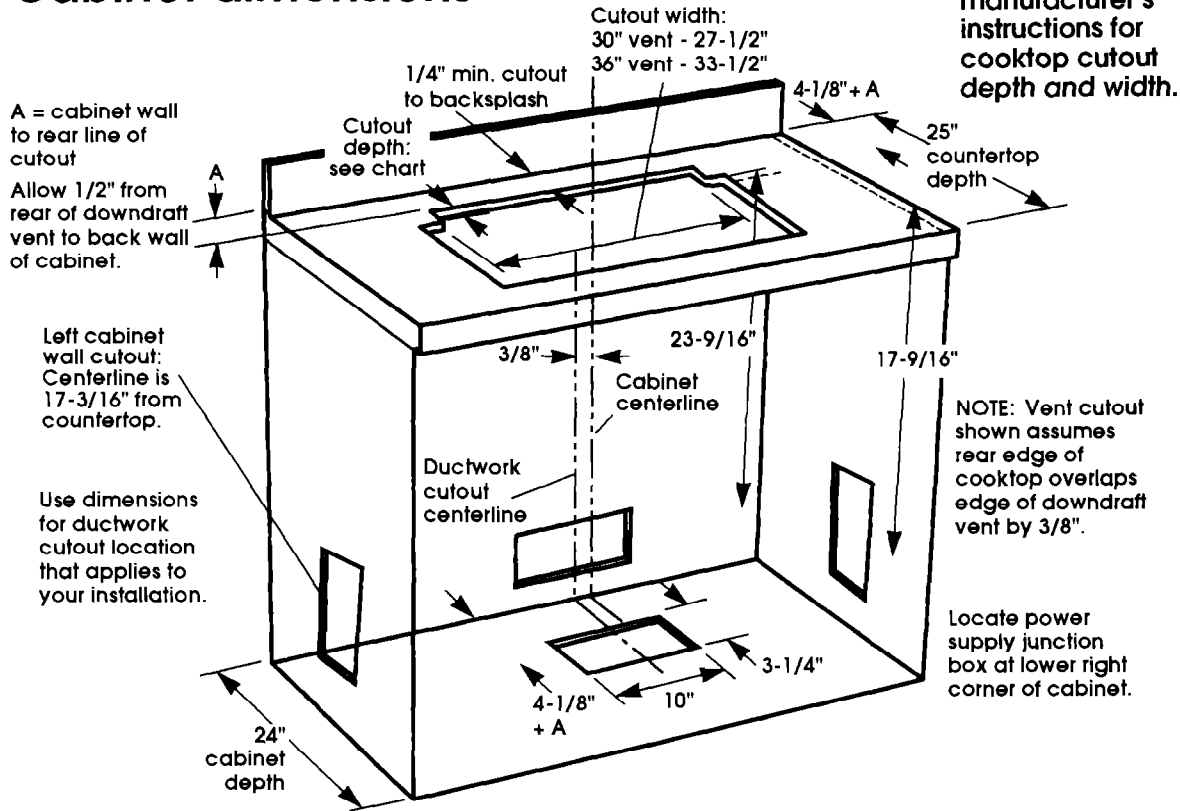
Installer: Leave Installation Instructions with the homeowner.

Homeowner: Keep Installation Instructions for future reference.

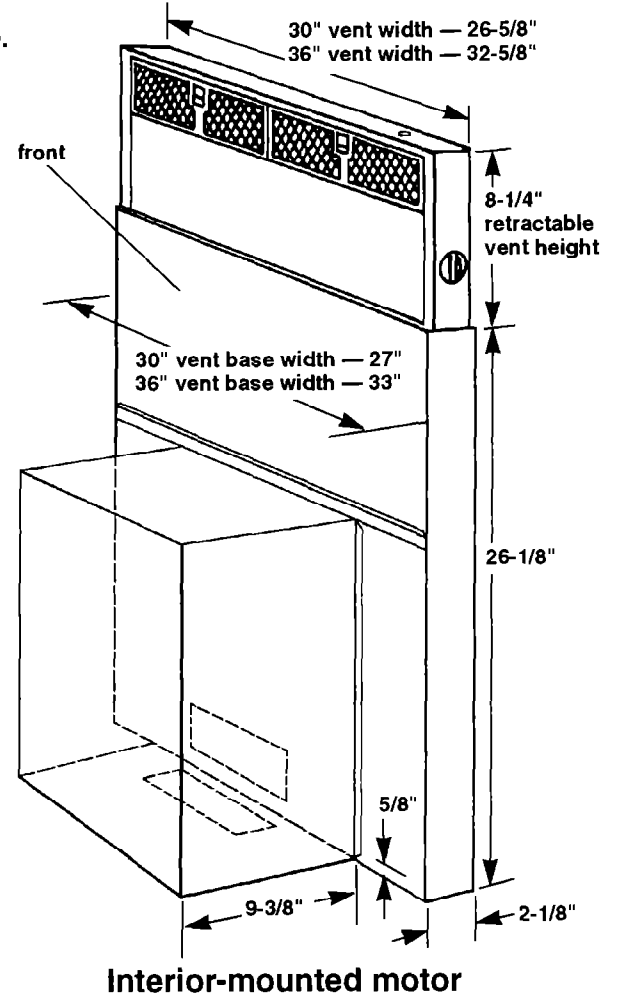
Save Installation Instructions for local electrical inspector's use.



Cabinet dimensions

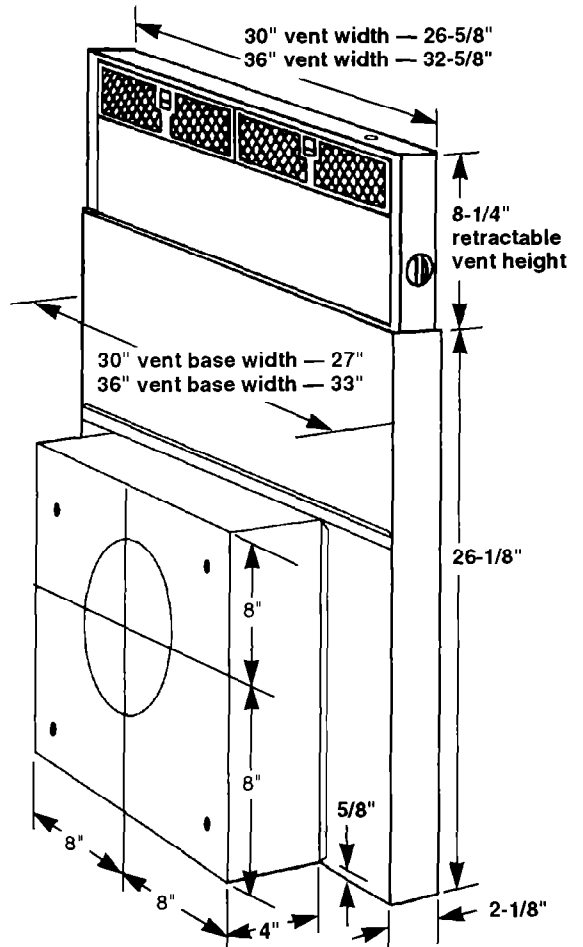
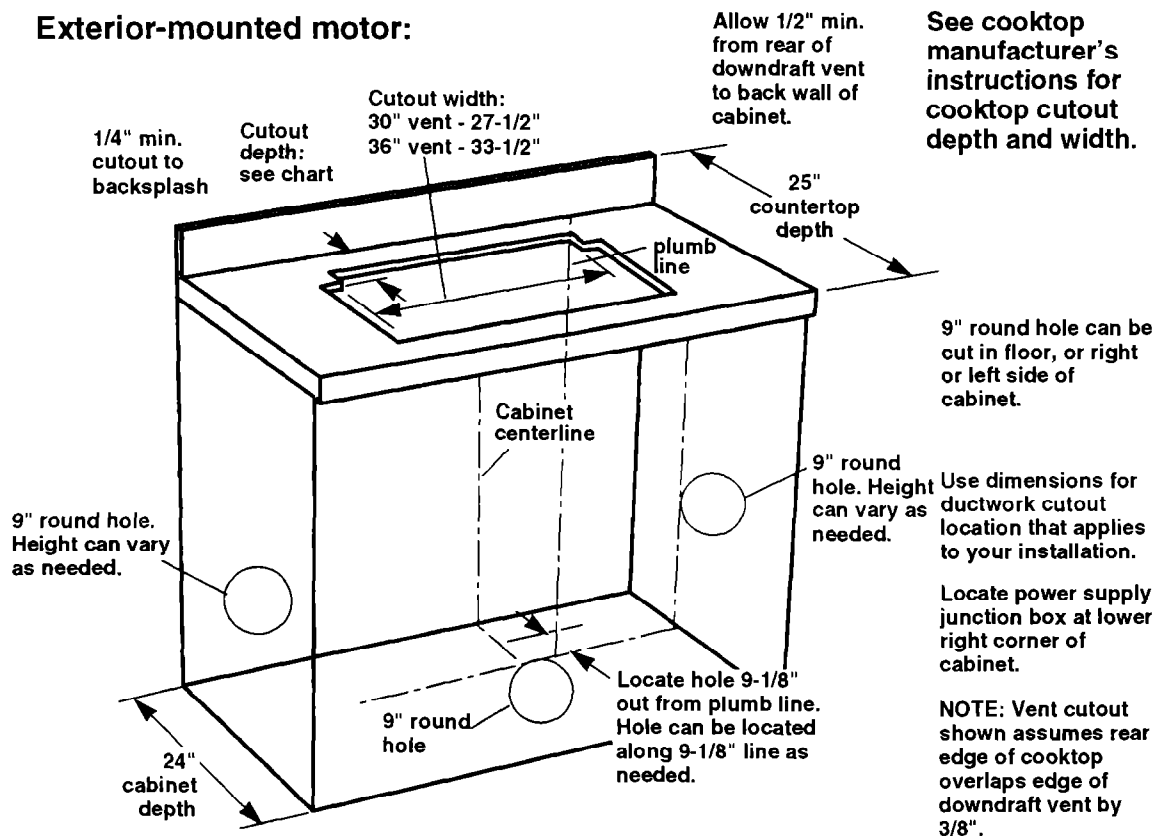


Retractable downdraft vent dimensions



Interior-mounted motor

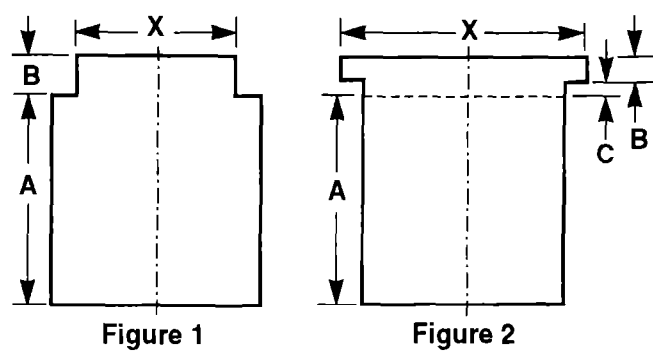
Exterior-mounted motor:



Exterior-mounted motor

Cutout dimensions

See Cooktop Installation Instructions for cutout depth, width and location dimensions.



Dimension A: If just a "Max." dimension is given, that dimension must be used.

*If dimension A is between the "Min." and "Max.": Subtract actual dimension "A" from "A Max." Divide by 2.

Add to "C (for A Max.)" for required C dimension.

Example: KECS100, 19-3/8" cutout

$$\begin{array}{r} \text{"A Max."} \\ \text{Actual "A"} \\ \hline 20-5/8" \\ - 19-3/8" \\ \hline 1-1/4" \div 2 = 5/8" \end{array}$$

$$\begin{array}{r} \text{C (for A Max.)} \\ + \\ \hline 9/16" \\ + 5/8" \\ \hline 1-3/16" = \text{Required C dimension} \end{array}$$

Models	When installed with	See Figure	Size	A Min.	A Max.	B	C for A Min.	C for A Max.	x
KIRD801	KECS100*, KGCT100*	2	30"	18-3/4"	20-5/8"	1-3/4"	1-1/2"	9/16"	27-1/2"
KIRD802	KECT305*, KGCT305*	1	30"		20-1/2"	2"			27-1/2"
	KECC500, KECC502, KECC507	1	30"		20-1/2"	2"			27-1/2"
	KECN507	1	30"		19-1/4"	2-1/8"			27-1/2"
KIRD861	KECG260*, KCG260*	2	36"	18-3/4"	20-5/8"	1-3/4"	1-1/2"	9/16"	33-1/2"
KIRD862	KECT365*, KGCT365*	1	36"		19-1/4"	2-1/8"			33-1/2"
	KECN560, KECN567	1	36"		19-1/4"	2-1/8"			33-1/2"
	KECC560, KECC567	1	36"		20-1/2"	2"			33-1/2"

Before you start...

Important: Observe all governing codes and ordinances.

Proper installation is your responsibility. Make sure you have everything necessary for correct installation. It is the responsibility of the installer to comply with the installation clearances specified on the model/serial rating plate. The model/serial rating plate is located on the front of the downdraft vent above the wiring box cover.

Check location where downdraft vent will be installed. The location should be away from strong draft areas, such as windows, doors and strong heating vents or fans. Before making countertop cutout, check that downdraft vent and cooktop location will clear cabinet walls, backsplash, and rear wall studs inside cabinet.

ALL OPENINGS IN THE WALL OR FLOOR WHERE RETRACTABLE DOWNDRAFT VENT IS TO BE INSTALLED MUST BE SEALED.

Electrical ground is required. See "Electrical requirements," Panel B.

When installing retractable downdraft vent, the cabinet drawer will need to be removed and the drawer front installed permanently to cabinet.

30" min. base cabinet is required. If cabinet has a drawer, 3-1/2" depth clearance from the countertop to the top of the drawer (or other obstruction in the base cabinet) is required.

Note: Downdraft vent is installed directly behind the cooktop. Install downdraft vent first.

Downdraft vent is not approved for use in mobile homes.

Cabinet construction: Downdraft vent is designed for use in a cabinet with a depth of 24". The maximum depth of the overhead cabinet is 13". Overhead cabinets installed at either side of the downdraft vent must be 18" above the cooking surface. See cooktop Installation Instructions for the minimum distance between the front edge of the countertop and front edge of cooktop. The minimum horizontal distance between the overhead cabinets is the same as the width of the installed downdraft vent.

When installing a 36" retractable downdraft vent with three "Create-A-Cooktop" modules, the optional support must be installed on the front of the downdraft vent. See installation steps for details.

WARNING — TO REDUCE THE RISK OF FIRE, ELECTRIC SHOCK, OR INJURY TO PERSONS, OBSERVE THE FOLLOWING:

- Installation Work And Electrical Wiring Must Be Done By Qualified Person(s) In Accordance With All Applicable Codes And Standards, Including Fire-Rated Construction.**
- The combustion airflow needed for safe operation of fuel-burning equipment may be affected by this unit's operation. Follow the heating equipment manufacturer's guideline and safety standards such as those published by the National Fire Protection Association (NFPA), and the American Society for Heating, Refrigeration and Air Conditioning Engineers (ASHRAE), and the local code authorities.**
- When cutting or drilling into wall or ceiling, do not damage electrical wiring and other hidden utilities.**
- Ducted fans must always be vented to the outdoors.**
- If this unit is to be installed over a tub or shower, it must be marked as appropriate for the application.**

WARNING



Fire Hazard

Do Not obstruct the flow of combustion and ventilation air. Failure to follow this instruction could result in fire.

Panel B

WARNING

Injury Hazard

To eliminate the risk of burns or fire, avoid installing cabinet storage above the cooking surface. If cabinets are already installed, avoid the use of cabinets while cooktop is in use. Reaching over a heated cooking surface could result in a serious burn. Use two or more people to move and install downdraft vent. Failure to follow these instructions can result in back or other injury.

WARNING

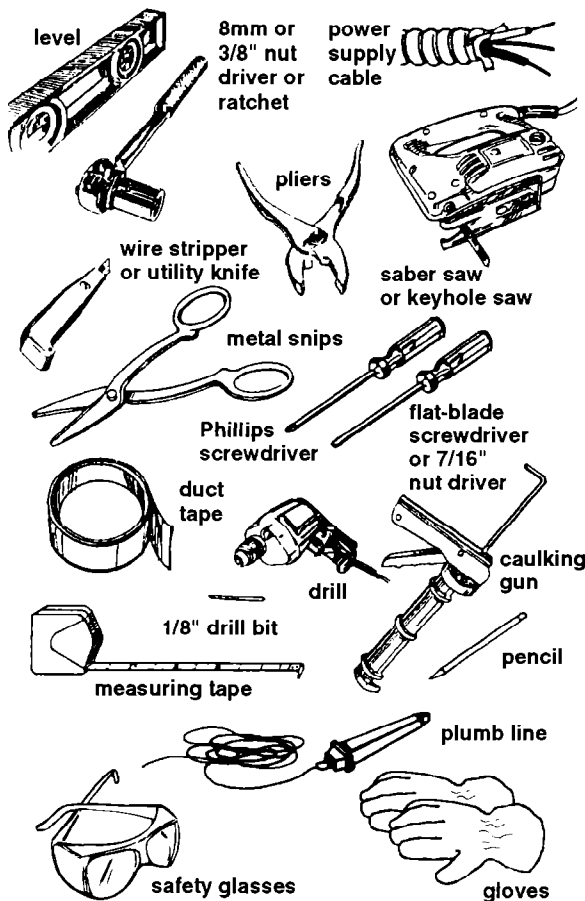


Electrical Shock Hazard

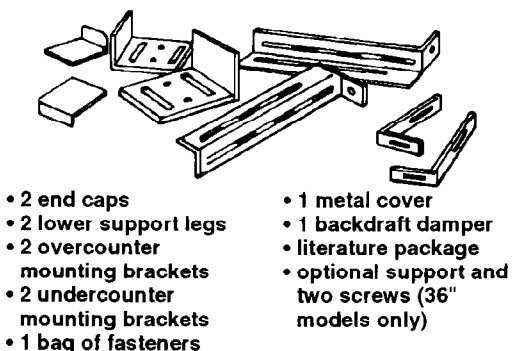
Check for electrical wires that may be concealed behind wall covering before drilling holes into wall. Do not use downdraft vent solid state fan speed control device. Failure to follow these instructions could result in death, fire or electrical shock.

It is the customer's responsibility: To contact a qualified electrical installer. To assure that electrical installation is adequate and in conformance with National Electrical Code, ANSI/NFPA 70 — latest edition*, and local codes and ordinances.

Tools needed for installation:



Parts supplied for installation:



- 2 end caps
- 2 lower support legs
- 2 overcounter mounting brackets
- 2 undercounter mounting brackets
- 1 bag of fasteners
- 1 metal cover
- 1 backdraft damper
- literature package
- optional support and two screws (36" models only)

Parts needed for installation:

- 2 conduit connectors
- 1 wall cap for interior-mounted motor
- ductwork

Electrical requirements

WARNING



Electrical Shock Hazard

Electrically ground downdraft vent. Failure to follow this instruction could result in death, fire or electrical shock.

If codes permit and a separate grounding wire is used, it is recommended that a qualified electrician determine that the grounding path is adequate.

Do Not ground to a gas pipe.

Check with a qualified electrician if you are not sure the downdraft vent is properly grounded.

Do Not have a fuse in the neutral or grounding circuit.

IMPORTANT: Save Installation Instructions for electrical inspector's use.

A. A 120-volt, 60-Hz, AC-only electrical supply is required on a separate 15-ampere circuit, fused on both sides of the line. A time-delay fuse or circuit breaker is recommended. The fuse must be sized per local codes in accordance with the electrical rating of the downdraft vent as specified on the model/serial rating plate located on the front of the downdraft vent above the wiring box cover.

B. THE RETRACTABLE DOWNDRAFT VENT MUST BE CONNECTED WITH COPPER WIRE ONLY.

C. Wire sizes must conform to the requirements of the National Electrical Code, ANSI/NFPA 70 — latest edition*, and all local codes and ordinances. Wire size and connections must conform with the rating of the downdraft vent.

Copies of the standard listed above may be obtained from:
* National Fire Protection Association
Batterymarch Park
Quincy, Massachusetts 02269

D. This downdraft vent should be connected directly to the fused disconnect (or circuit breaker) through flexible, armored or non-metallic sheathed, copper cable. Allow some slack in the cable so the downdraft vent can be moved if servicing is ever necessary.

E. A U.L.-listed, 1/2" conduit connector must be provided at each end of the power supply cable (at the downdraft vent and at the junction box).

F. A wiring diagram is located on the downdraft vent base above the wiring box cover.

Electrical connection

- Cut a 1-1/2" hole in floor or side of cabinet for power supply wire. The hole cut for electrical wiring through a wood cabinet should be sanded until smooth. A grommet (Part No. 302797) must cover the hole cut for the electrical wiring through a metal cabinet.
- Run flexible armored or nonmetallic sheathed copper cable from fused disconnect circuit breaker or junction box through the cabinet hole to the downdraft vent location.
- See installation steps to connect power supply cable to downdraft vent.

Venting requirements

WARNING



Fire Hazard

Venting system **MUST** terminate to the outside.
Do Not terminate the ductwork in an attic or other enclosed space.
Do Not use 4-inch laundry-type wall caps.
Do Not use plastic-type ductwork.
Use Only Metal Ductwork.
Failure to follow these instructions may result in a fire.

Ductwork needed for installation is not supplied.
Wall cap is Not provided with interior-mounted motor.

Determine which venting method to use. Ductwork can extend either through the wall or roof.

- The length of ductwork and number of elbows should be kept to a minimum to provide efficient performance.
- The size of the ductwork should be uniform.
- **Do Not install two elbows together.**
- **Use duct tape** to seal all joints in the ductwork system.
- **Use caulking tape** to seal the exterior wall or floor opening around cap.
- **Do Not cut joist or stud.** If ductwork cutout falls over a joist or stud, a supporting frame must be constructed.
- **Flexible metal ductwork is Not recommended.** If it is used, calculate each foot of flexible ductwork as two feet of rigid metal ductwork. Flexible elbows count twice as much as standard elbows.

NOTE: Make sure there is proper clearance within the wall or floor exhaust duct before making cutouts.

Recommended duct length

For either interior-mounted or exterior-mounted blower installations, ductwork length should not exceed the maximum lengths listed in the "Maximum length of duct system" chart. (See Panel C for interior-mounted blower; Panel E for exterior-mounted blower.)

Interior-mounted vent motor

Installation requirements

Island location

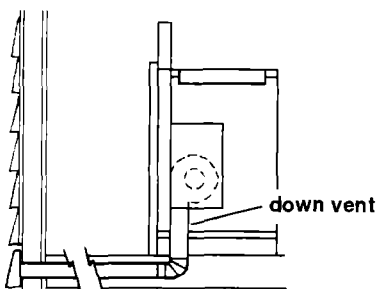


Figure 3

Built-in cabinet location

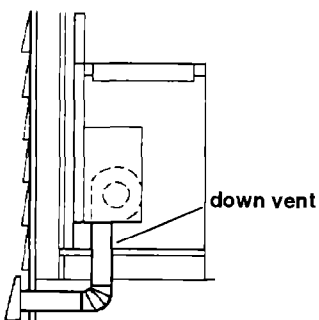


Figure 4

Built-in cabinet location

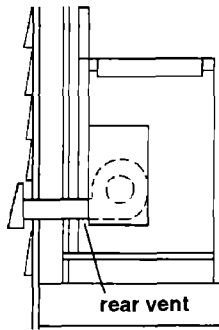
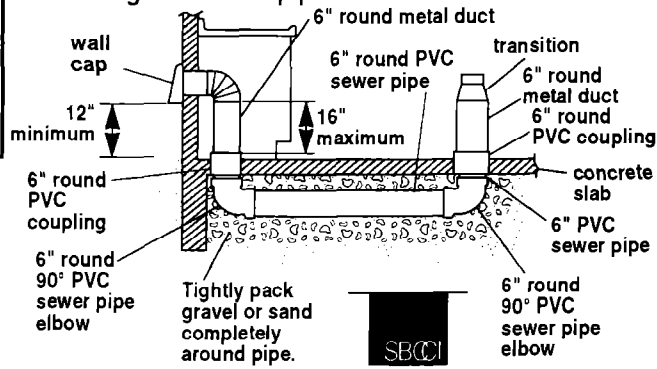
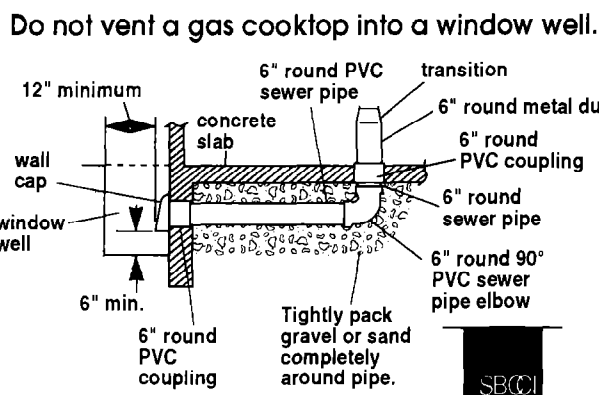


Figure 5

Ductwork installed under a concrete slab using PVC sewer pipe.



Optional ductwork installed under a concrete slab into a window well.



Seal the space between the outside of wall cap inlet inside of PVC coupling with caulking metal.

Maximum length of ductwork system

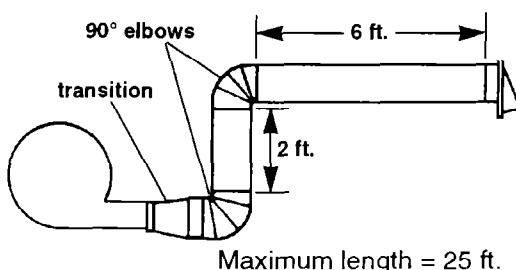
Ductwork	Length
6" round	25 feet
3-1/4" x 10"	25 feet

For best performance, use no more than three 90° elbows. If more than one elbow is used, make sure that there is a minimum of 24 inches of straight duct between any two elbows. **Do Not install two elbows together.** It is recommended that you use round duct instead of rectangular duct, especially if elbows are required. If rectangular duct is required, it should be transitioned to 6" round duct as soon as possible.

Determining the length of system you need:

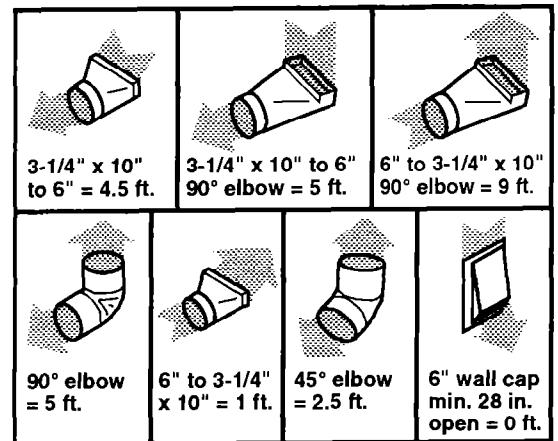
To calculate the length of system you need, add the equivalent feet for each duct piece that will be needed. See example for 6" round ductwork system.

6" round ductwork system



1 - wall cap	=	0 feet
8 feet straight	=	8 feet
2 - 90° elbows	=	10 feet
Transition	=	4.5 feet
<hr/>		
Length of 6" system	=	22.5 feet

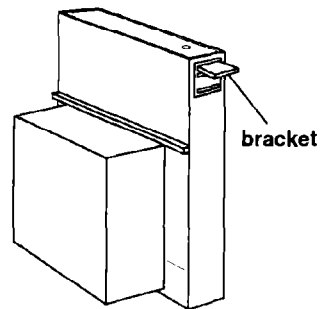
Recommended standard fittings



Installation steps

1. Put on gloves and safety glasses. Place cardboard or another form of protection on top of a flat surface where you can easily assemble the downdraft vent system. Remove parts packages, downdraft vent and blower box from carton. Remove all shipping materials, tape and protective film from downdraft vent and blower box.

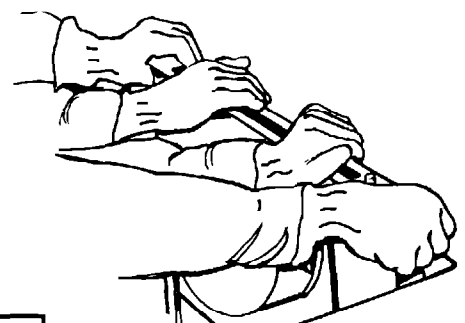
2. Attach one overcounter mounting bracket to each side of the downdraft vent with flange side out.



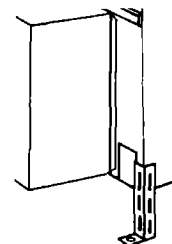
3. Attach support legs to side of downdraft vent with two screws in each leg. Do Not tighten screws.

WARNING

Injury Hazard
Use two or more people to move and install downdraft vent.
Failure to follow this instruction can result in back or other injury.

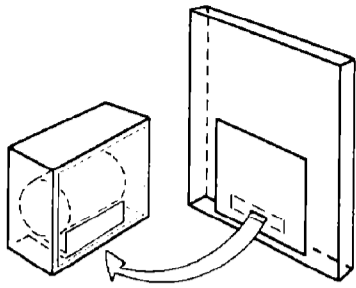


4. Carefully insert downdraft vent into countertop cutout. Two people are recommended to support the weight of the downdraft vent during lifting. Check that downdraft vent is parallel to side of cutout and that mounting brackets overlap countertop.



5. Move support legs down against cabinet floor. Place a level against front of downdraft vent base and adjust until downdraft vent is level vertically. Use a pencil to mark the top of each leg on face of downdraft vent. Then mark location of support leg mounting holes on cabinet floor. Remove downdraft vent from cutout. Drill starter holes at each mounting screw location on cabinet floor. Align top of legs with pencil marks on face of downdraft vent. Tighten screws in legs.

If blower box is removed from vent base, check that wiring cable is properly secured in plastic clips.



6. Determine which direction (down or rear) ductwork will need to run from blower duct when installed in cabinet.

Down venting:

Downdraft vent is shipped with blower in down venting position so no modification is required. Go to Step 7.

Left or right venting:

a. Remove 4 hex nuts that attach blower box to downdraft vent base. Remove blower box.

b. Rotate blower box 90° to left or right so that vent blower is repositioned in the direction needed.

c. Reattach blower box to downdraft vent base with 4 hex nuts.

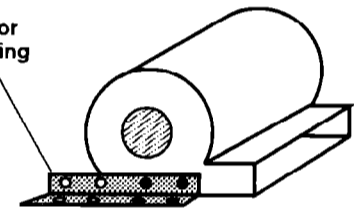
Rear venting:

a. Remove 4 hex nuts that attach blower box to downdraft vent base. Remove blower box.

b. Note how wiring cable is installed under plastic clips inside vent base. Then carefully remove wiring cable from plastic clips. Disconnect blower wiring cable.

c. Remove 6 Phillips-head screws attaching blower to blower box. Remove blower.

bracket for rear venting



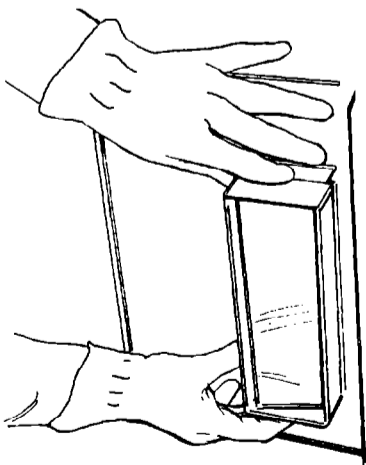
d. Remove screws attaching brackets to each side of blower. Reposition brackets on blower as shown. Then reinstall screws.

e. Reinstall blower in blower box with mouth of blower pointing out open side of blower box. Secure blower to blower box with 6 Phillips-head screws.

NOTE: Square metal frame attached to mouth of blower must be installed for proper operation.

f. Attach metal cover from parts bag over down-venting knockout in blower box. Remove rear knockout cover on back of vent base.

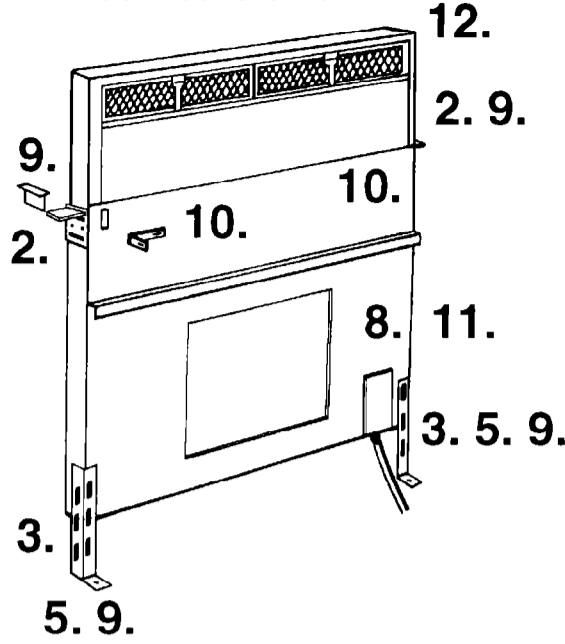
g. Reconnect blower wiring cable. Secure wiring cable in 2 black plastic clips inside vent base. Reattach blower box to downdraft vent base with 4 hex nuts.



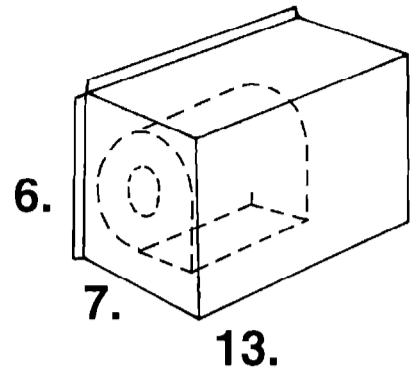
7. Attach backdraft damper over blower box knockout with 2 Phillips-head screws.

8. Remove the 2 Phillips-head screws attaching appliance wiring box cover. Determine which direction (rear or down) electrical connection will need to run from appliance wiring box. Knock out rear or lower wiring opening in wiring box.

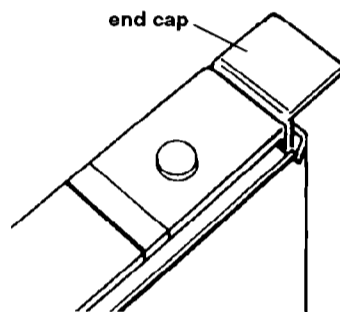
Interior-mounted blower



Numbers correspond to steps.



WARNING
Injury Hazard
Use two or more people to move and install downdraft vent.
Failure to follow this instruction can result in back or other injury.

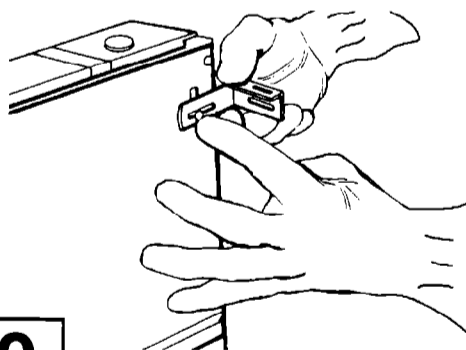


9. Insert downdraft vent into countertop cutout. Two people are recommended to support the weight of the downdraft vent during lifting. Position downdraft vent so it is centered in cutout and parallel to edge of cutout. Check that downdraft vent is level vertically. Then fasten lower support legs to cabinet floor with screws. Snap end caps over top of mounting brackets.

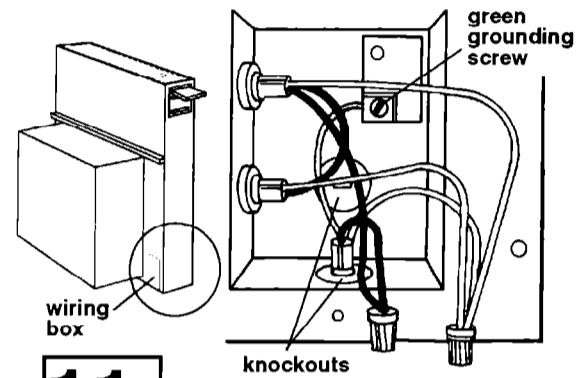
When attaching undercounter bracket to underside of countertop:

Do Not drill into countertop surface.

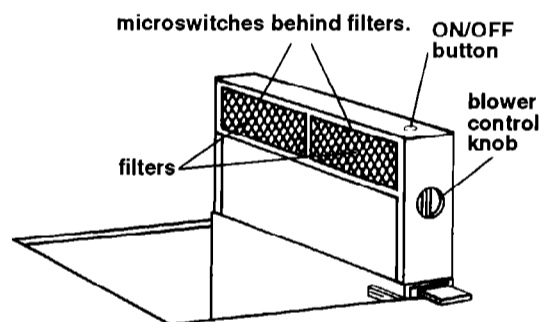
Check that mounting screws are proper length and will not go through countertop surface when tightened.



10. Attach one undercounter bracket on front upper right corner of downdraft vent with slot over vent mounting hole and flange against countertop. Attach other bracket to left side of downdraft vent. Carefully drill starter holes through undercounter mounting brackets into underside of countertop. Insert appropriate length screws into holes and tighten brackets to countertop.



11. Disconnect power supply. Thread the power supply cable through the knockout opening in the wiring box. Connect the white wires together with a twist-on wire connector. Connect the black wires together with a twist-on wire connector. Attach the green (or green and yellow) grounding wire to eyelet with green grounding screw. Reattach the wiring box cover.



12. Turn power supply on. Push the button on the top of the downdraft vent. Retractable section of downdraft vent will rise and blower will start. Turn the control knob on side of vent to check the operation and speed of blower. If blower does not operate:

- Check that filters are pressed in as far as they will go.
- Check that circuit breaker is not tripped or house fuse blown.
- **Disconnect power source** and check that wire connections have been made correctly.

13. Connect ductwork to blower. Position ductwork to avoid wall studs and floor joists. Complete all ductwork. Use duct tape to seal all joints. Ductwork must end with a wall or roof cap.

14. Install cooktop according to manufacturer's instructions. Check that rear edge of cooktop overlaps edge of downdraft vent by 3/8".

To get the most efficient use of your new retractable downdraft vent, read Use & Care Information section on Panel G. Keep Installation Instructions and Use & Care Information close for easy reference.

Exterior-mounted vent motor

NOTE: Exterior-mounted vent motor installations require exterior blower system, Part No. KPED890T, available from your KitchenAid dealer or authorized parts supplier.

Installation requirements

Island location

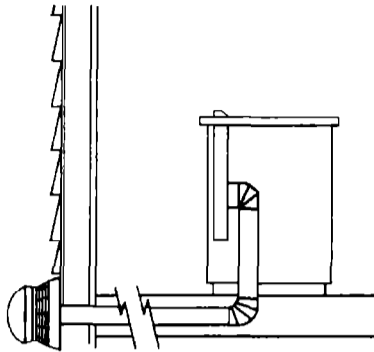


Figure 6

Built-in cabinet location

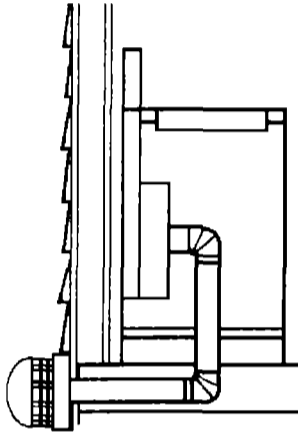


Figure 7

Roof venting

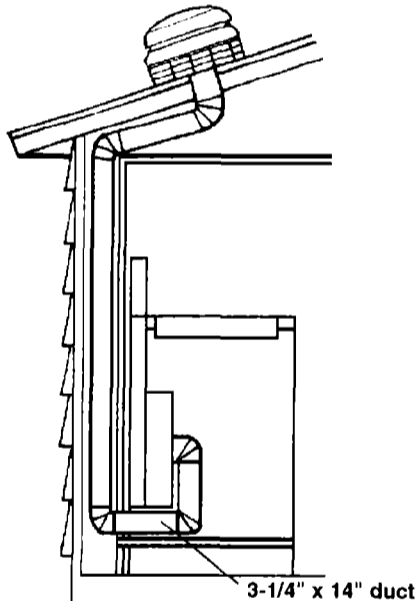


Figure 8

Maximum length of ductwork system

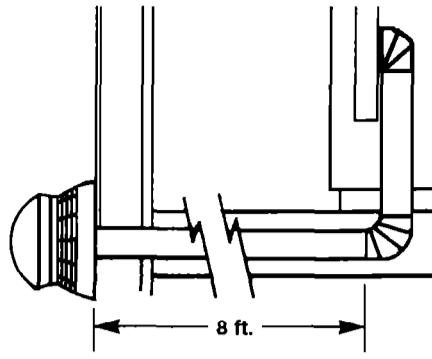
Ductwork	Length
9" round	55 feet
3-1/4" x 14"	55 feet

For best performance, use no more than three 90° elbows. If more than one elbow is used, make sure that there is a minimum of 24 inches of straight duct between any two elbows. **Do Not install two elbows together.** It is recommended that you use round duct instead of rectangular duct, especially if elbows are required. If rectangular duct is required, it should be transitioned to 9" round duct as soon as possible.

Determining the length of system you need:

To calculate the length of system you need, add the equivalent feet for each duct piece that will be needed. See example for 9" round ductwork system.

9" round ductwork system



Maximum length = 55 feet

1 - transition	= 0 feet
2 - 90 elbows	= 10 feet
1 - wall cap	= 0 feet
10 feet straight	= 10 feet
<hr/>	
Length of 9" system	= 20 feet

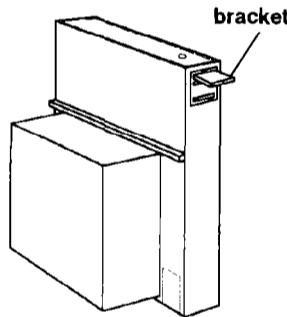
Recommended standard fittings

3-1/4" x 14" to 9" = 4.5 ft.	3-1/4" x 14" to 9" 90° elbow = 5 ft.	9" to 3 1/4"x14" 90° elbow = 9 ft.
90° elbow = 5 ft.	9" to 3-1/4" x 14" = 1 ft.	45° elbow = 2.5 ft.

Installation steps

1. Place cardboard or another form of protection on top of a flat surface where you can easily assemble the downdraft vent system. Remove parts packages, downdraft vent and blower box from carton. Remove all shipping materials, tape and protective film from downdraft vent and blower box.

2. Attach one overcounter mounting bracket to each side of the downdraft vent with flange side out.



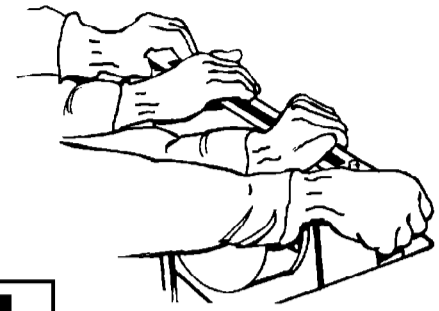
3. Attach support legs to side of downdraft vent with two screws in each leg. Do Not tighten screws.

Ductwork may be installed under concrete slab. See Panel C.

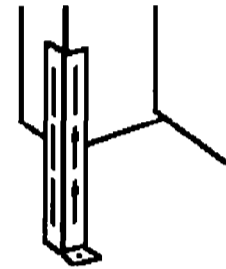
Do not install exterior vent motor in window well.

WARNING

Injury Hazard
Use two or more people to move and install downdraft vent.
Failure to follow this instruction can result in back or other injury.



4. Carefully insert downdraft vent into countertop cutout. Two people are recommended to support the weight of the downdraft vent during lifting. Check that downdraft vent is parallel to side of cutout and that mounting brackets rest gently on countertop.



5. Move support legs down against cabinet floor. Place a level against front of downdraft vent base and adjust position of legs until downdraft is level vertically. Use a pencil to mark the top of each leg on face of downdraft vent. Then mark location of support leg mounting holes on cabinet floor. Remove downdraft vent from cutout. Drill starter holes at each mounting screw location on cabinet floor. Align top of legs with pencil marks on face of downdraft vent. Tighten screws in legs.

6. Attach damper plate (supplied with exterior blower system) to front of downdraft vent using 4 hex washer nuts.

7. Remove the 2 Phillips-head screws attaching appliance wiring box cover. Determine which direction (rear or down) electrical connection will need to run from appliance wiring box. Remove cover. Knock out rear or lower wiring opening in wiring box.

Power supply cable needed between exterior blower assembly and blower box is not provided.

8. Determine the location where the exterior blower box will be located. Cut opening in roof or wall for ductwork to exterior blower. Install exterior blower.

Wall Installations

- Use caulking compound between mounting flange and wall.

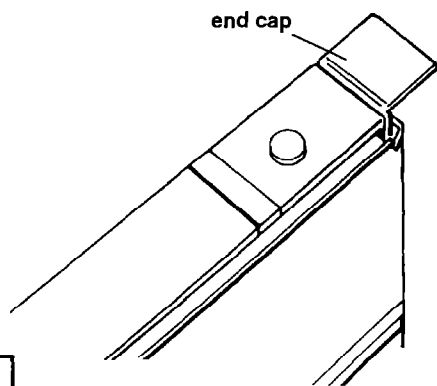
Roof Installations

- Follow standard roofing procedures.
- The flashing sheet should be entered over the roof opening.
- Lower edge of flashing should lie on top shingles and upper edge underneath shingles.
- Seal assembly between roof, fan and flashing with roofing mastic to prevent leaks.

⚠ WARNING

Injury Hazard

Use two or more people to move and install downdraft vent. Failure to follow this instruction can result in back or other injury.

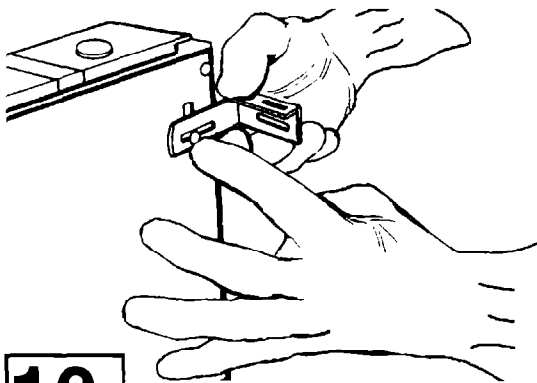


9. Insert retractable downdraft vent into countertop cutout. Two people are recommended to support the weight of the downdraft vent during lifting. Position downdraft vent so it is centered in cutout and parallel to edge of cutout. Check that downdraft vent is vertical. Then attach lower support legs to cabinet floor with screws. Snap end caps over top of mounting brackets.

When attaching undercounter bracket to underside of countertop:

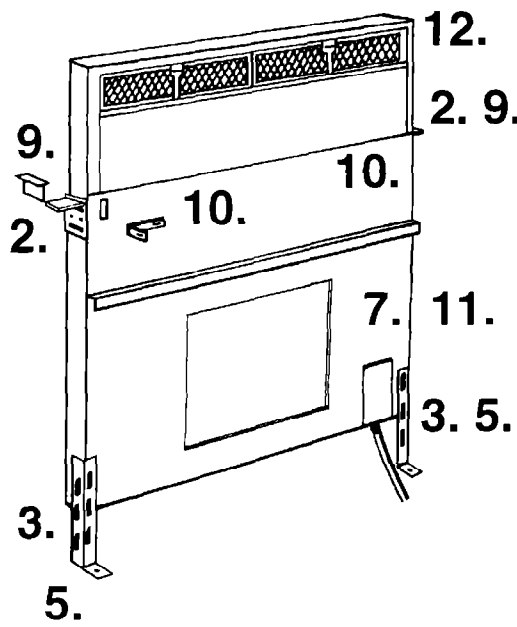
Do Not drill into countertop surface.

Check that mounting screws are proper length and will not go through countertop surface when tightened in place.

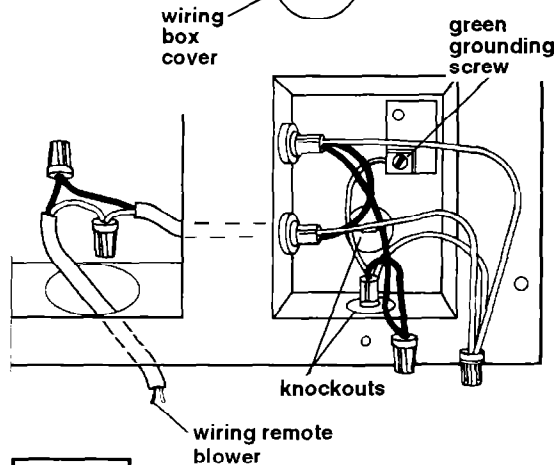
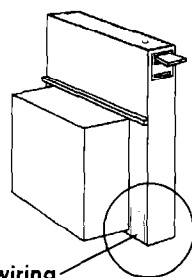
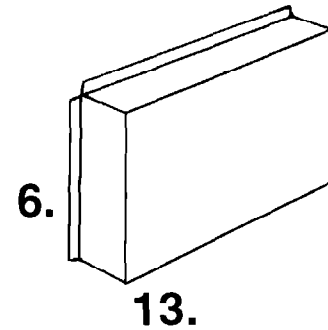


10. Attach one undercounter mounting bracket on front upper right corner of downdraft vent with slot over vent mounting hole and flange against countertop. Attach other bracket to left side of downdraft vent. Carefully drill starter holes through undercounter mounting brackets into underside of countertop. Insert appropriate length screws into holes and tighten brackets to countertop.

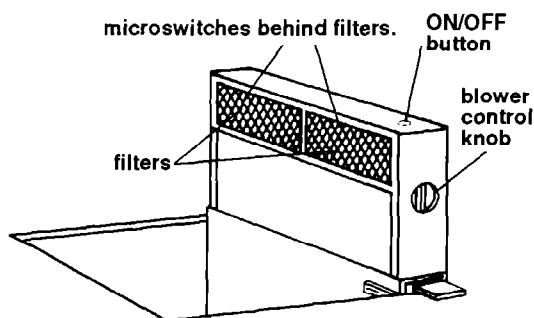
Exterior-mounted blower



Numbers correspond to steps.



11. Disconnect power supply. Thread the power supply cable through the knockout opening in the wiring box. Connect the white wires together with a twist-on wire connector. Connect the black wires together with a twist-on wire connector. Attach the green (or green and yellow) grounding wire to eyelet with green grounding screw. Reattach the wiring box cover.



12. Turn power supply on. Push the button on the top of the downdraft vent. Retractable section of downdraft vent will rise and blower will start. Turn the control knob on side of vent to check the operation and speed of blower. If blower does not operate:

- Check that filters are pressed in as far as they will go.
- Check that circuit breaker is not tripped or house fuse blown.
- Disconnect power source and check that wire connections have been made correctly.

13. Connect ductwork to blower. Position ductwork to avoid wall studs and floor joists. Complete all ductwork. Use duct tape to seal all joints. Vertical ductwork for wall-mounted installations should pitch down slightly toward the vent to allow moisture to run outside.

14. Install cooktop according to manufacturer's instructions. Check that rear of cooktop overlaps edge of retractable downdraft vent by 3/8".

To get the most efficient use from your new retractable downdraft vent, read the Use and Care Information section on Panel G. Keep Installation Instructions and Use and Care Information close by for easy reference.

Use & Care Information

The retractable downdraft vent system is designed to remove smoke, cooking vapors and odors from the cooktop area. For the best results, the vent should be operating before cooking is started. If you use large or tall utensils, place them on the large rear element or burner surface. A higher heat setting than normally used may be needed when the downdraft vent is operating.

WARNING — TO REDUCE THE RISK OF FIRE, ELECTRIC SHOCK, OR INJURY TO PERSONS, OBSERVE THE FOLLOWING:

- A. Use this unit only in the manner intended by the manufacturer. If you have any questions, contact the manufacturer.
- B. Before servicing or cleaning unit, switch power off at service panel and lock service panel to prevent power from being switched on accidentally.

WARNING — TO REDUCE THE RISK OF A RANGE TOP GREASE FIRE:

- A. Keep fan, filters and grease laden surfaces clean.
- B. Always turn hood ON when cooking at high heat.
- C. Use high range settings on range only when necessary. Heat oil slowly on low to medium setting.
- D. Don't leave range unattended when cooking.
- E. Always use cookware and utensils appropriate for the type and amount of food being prepared.

WARNING — TO REDUCE THE RISK OF INJURY TO PERSONS IN THE EVENT OF A RANGE TOP GREASE FIRE, OBSERVE THE FOLLOWING:

- A. SMOTHER FLAMES with a close-fitting lid, cookie sheet, or metal tray, then turn off the burner. BE CAREFUL TO PREVENT BURNS. If the flames do not go out immediately EVACUATE AND CALL THE FIRE DEPARTMENT.
- B. NEVER PICK UP A FLAMING PAN — You may be burned.
- C. DO NOT USE WATER, including wet dishcloths or towels — a violent steam explosion will result.
- D. Use an extinguisher ONLY if:
 - 1. You know you have a Class ABC extinguisher, and you already know how to operate it.
 - 2. The fire is small and contained in the area where it started.
 - 3. The fire department is being called.
 - 4. You can fight the fire with your back to an exit.

Operating downdraft vent —

Push button on top of downdraft vent. Retractable section of downdraft vent will rise and blower will begin to vent. Turn knob on side of downdraft vent to adjust the setting to the amount of venting you need. The knob has infinite settings. Place cooking utensils on cooking surface and turn cooking unit on. When cooking is complete, turn cooking unit off, remove utensils from cooking surface, and push button on top of retractable downdraft vent. The blower will turn off and the retractable section of the vent will return to the closed position.

Cleaning —

Surface of downdraft vent: Clean with soap and water. Do Not use scouring powder or abrasive solutions.

Filters: Frequently remove and clean the filters in the retractable section of the downdraft vent. This will improve the operating efficiency of the downdraft vent system.

1. Remove the filters and clean them in the dishwasher or in a hot detergent solution.

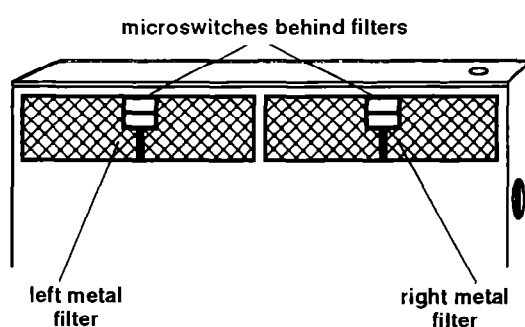
Do Not use the downdraft vent when the filters are not in place.

2. Reinstall the clean filters, making sure that the filters are pushed in as far as they will go.

Note: Downdraft vent will not operate if filters are not in proper position.

If retractable downdraft vent does not operate after clean filters have been reinstalled:

Push the filters in as far as they will go. When the filters are removed, the microswitches behind the filters are inactivated. This safety feature stops the blower and raising mechanism until the filters are properly reinstalled.



If retractable downdraft vent does not operate...

- Check that filters are pressed in as far as they will go.
- Check that top corners of filter frame are pressed against microswitches located behind filter.
- Check that the circuit breaker is not tripped or the house fuse blown.
- **Disconnect power source** and check that wire connections have been made.

If you need assistance...

The KitchenAid Consumer Assistance Center will answer any questions about operating or maintaining your retractable downdraft vent system not covered in the Installation Instructions. Call the KitchenAid Consumer Assistance Center toll-free telephone number: 1-(800) 422-1230.

When you call, you will need the retractable downdraft vent system model number and serial number. Both numbers can be found on the model/serial rating plate located on the front of the downdraft vent above the wiring box cover.

If you need further assistance, you can write to KitchenAid with any questions or concerns at:

KitchenAid Brand Home Appliances
Consumer Assistance Center
c/o Correspondence Dept.
2000 North M-63
Benton Harbor, MI 49022

Please include a daytime phone number in your correspondence.

If you need service...

In the event that your KitchenAid retractable downdraft vent system should need service, call the dealer from whom you purchased the vent system or a KitchenAid-authorized service company. A KitchenAid-authorized service company is listed in the Yellow Pages of your telephone directory under "Appliances — Household — Major — Service and Repair."

You can also obtain the service company's name and telephone number by dialing, free, within the continental United States, the KitchenAid Consumer Assistance Center telephone number, 1-(800) 422-1230. A special operator will tell you the name and number of your nearest KitchenAid-authorized service company.

Maintain the quality built into your KitchenAid appliance — call a KitchenAid-authorized service company.

If the dealer, authorized servicer, and KitchenAid have failed to resolve your problem, you can contact the Major Appliance Consumer Action Program (MACAP). MACAP is a group of independent consumer experts that voices consumer views at the highest levels of the major appliance industry. MACAP will in turn inform us of your action.

Major Appliance Consumer Action Program
20 North Wacker Drive
Chicago, IL 60606

KitchenAid® Downdraft Vent Warranty		
LENGTH OF WARRANTY:	KITCHENAID WILL PAY FOR:	KITCHENAID WILL NOT PAY FOR:
One Year Full Warranty from date of installation.	Replacement parts and repair labor to correct defects in materials or workmanship. Service must be provided by an authorized KitchenAid servicing outlet.	A. Service calls to: 1. Correct the installation of the downdraft vent. 2. Instruct you how to use the downdraft vent. 3. Replace house fuses or correct house wiring.
Five Year Limited Warranty one year full plus second through fifth year limited from date of installation.	Replacement motor if defective in materials or workmanship.	B. Repairs when downdraft vent is used in other than normal home use. C. Damage resulting from accident, alteration, misuse, abuse, improper installation or installation not in accordance with local electrical codes. D. Any labor costs during limited warranty. E. Replacement parts or repair labor costs for units operated outside the United States. F. Pickup and delivery. This product is designed to be repaired in the home.

KitchenAid, Inc. does not assume any responsibility for incidental or consequential damages. Some states do not allow the exclusion or limitation of incidental or consequential damages, so this exclusion or limitation may not apply to you. This warranty gives you specific legal rights and you may also have other rights which vary from state to state.

Part No. 4324054/4360199 Rev. E

© 1996 KitchenAid

® Registered Trademark of KitchenAid, U.S.A.

KitchenAid®
HOME APPLIANCES

Prepared by KitchenAid, Benton Harbor, Michigan 49022

Free Manuals Download Website

<http://myh66.com>

<http://usermanuals.us>

<http://www.somanuals.com>

<http://www.4manuals.cc>

<http://www.manual-lib.com>

<http://www.404manual.com>

<http://www.luxmanual.com>

<http://aubethermostatmanual.com>

Golf course search by state

<http://golfingnear.com>

Email search by domain

<http://emailbydomain.com>

Auto manuals search

<http://auto.somanuals.com>

TV manuals search

<http://tv.somanuals.com>