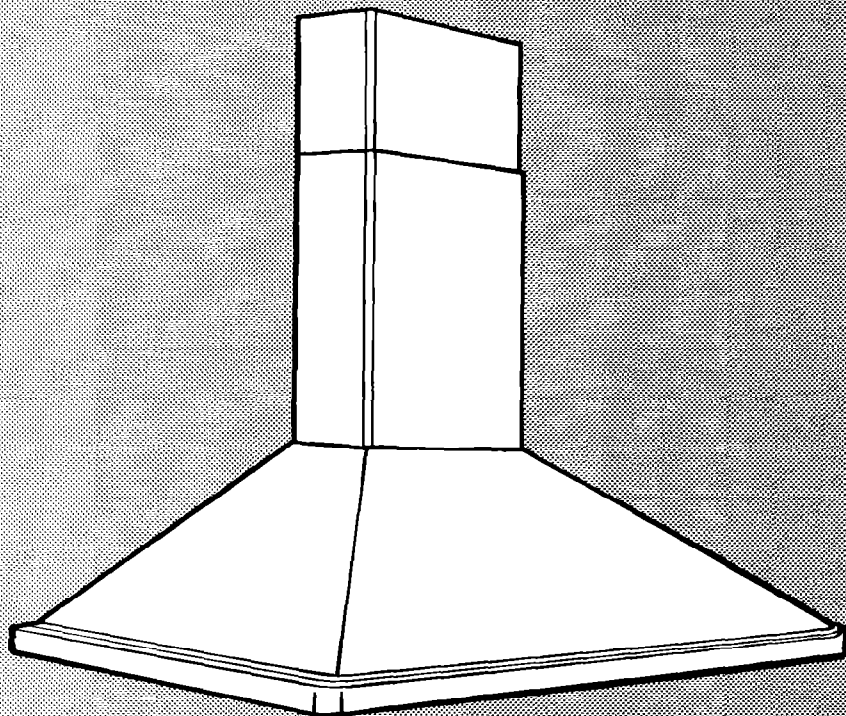


Installation Instructions and Use and Care Guide

KitchenAid®
HOME APPLIANCES



36" Wall-Mount Canopy Range Hood

Quick Reference

Table of Contents:

Pages

1	Product dimensions
1	Cabinet dimensions
1	Before you start
2	Venting requirements
3	Electrical requirements
3	4 Installation steps
5	Use and Care Information
5	Warranty
Back cover	Wiring diagram; Accessories

The KitchenAid Consumer Assistance Center:

The KitchenAid Consumer Assistance Center is open 24 hours a day, 7 days a week. Call 1-(800) 422-1230. (The call is free within the continental United States.)

Call the KitchenAid Consumer Assistance Center when you:

- Have questions about range hood installation or operation.
- Need to obtain the name and number of a KitchenAid-authorized service company.

When you call, you will need:

- The range hood model number.
- The range hood serial number.

Both numbers are listed on the serial/rating plate, located inside the range hood on the rear wall.

IMPORTANT:
Read and save these instructions.

Part No. 6899551/883297

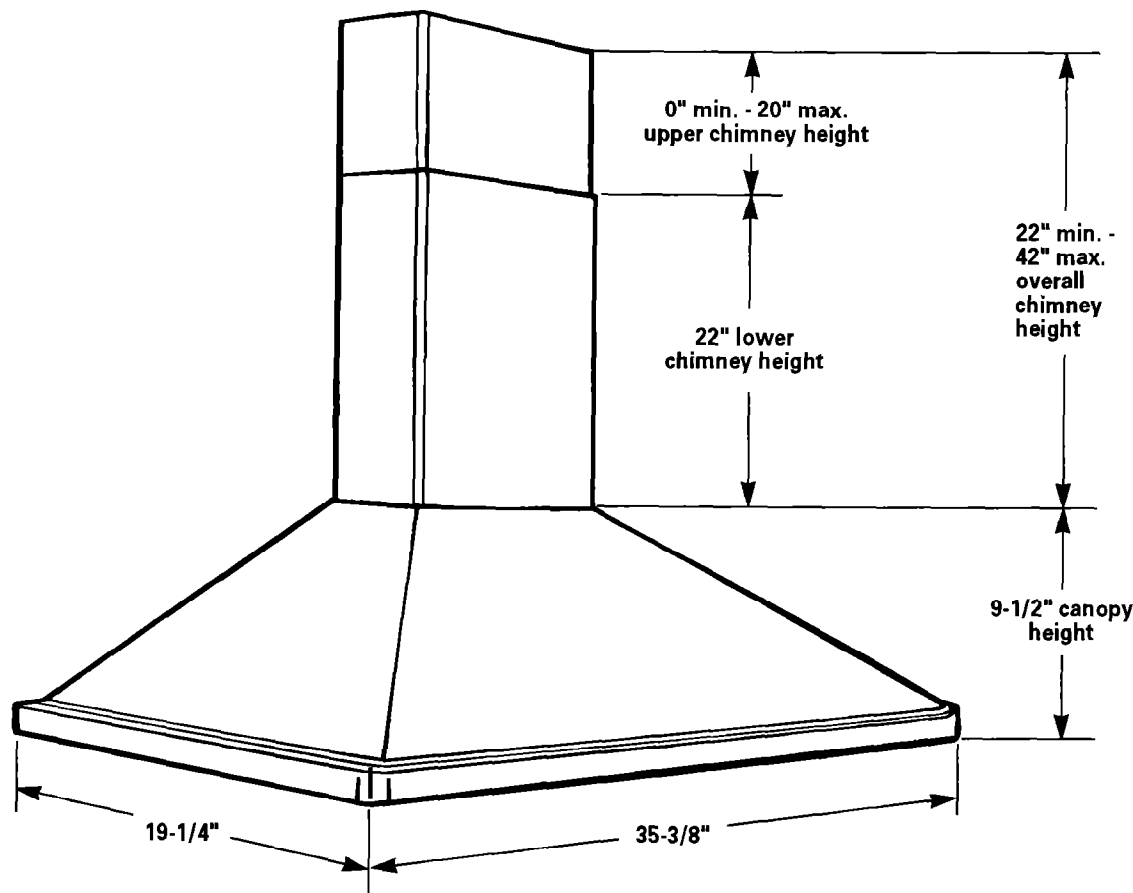
IMPORTANT:

Installer: Leave Installation Instructions with the homeowner.

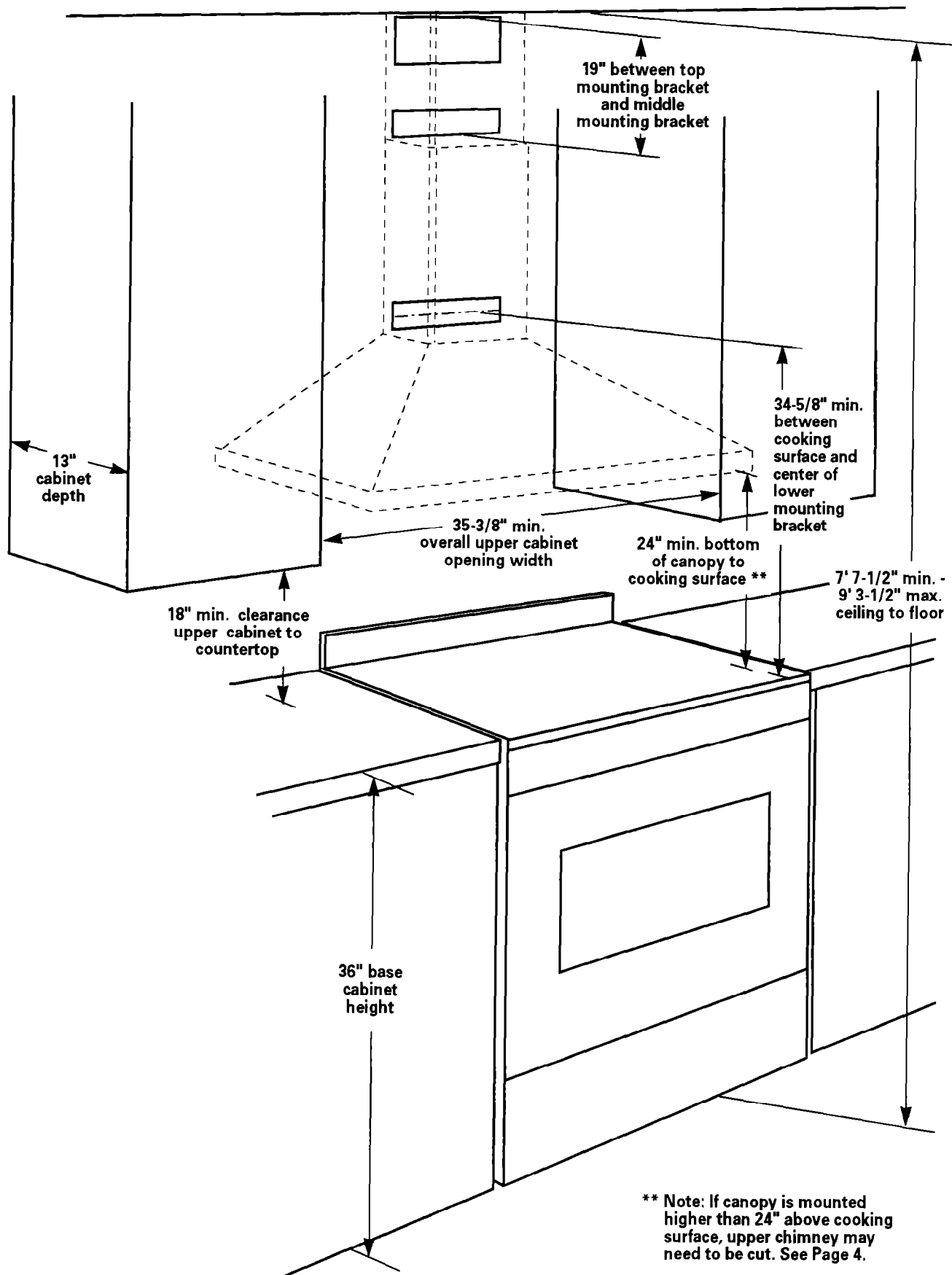
Homeowner: Keep Installation Instructions for future reference.

Save Installation Instructions for local electrical inspector's use.

Product dimensions



Cabinet dimensions



** Note: If canopy is mounted higher than 24" above cooking surface, upper chimney may need to be cut. See Page 4.

Before you start...

Important: Observe all governing codes and ordinances.

Proper installation is your responsibility:

- Have a qualified technician install this range hood.
- Comply with installation clearances specified on the serial/rating plate.

Serial/rating plate is located inside the range hood on rear wall.

Range hood location should be away from strong draft areas, such as windows, doors and strong heating vents.

Cabinet opening dimensions that are shown must be used. Given dimensions provide minimum clearance. Consult your cooktop/range manufacturer installation instructions before making any cutouts.

Grounded electrical outlet is required. See "Electrical requirements."

Ductwork must terminate outdoors.

All openings in wall where range hood will be installed must be sealed.

! WARNING

Electrical Shock Hazard

It is the customer's responsibility:

- To contact a qualified electrical installer.
- To assure that the electrical installation is adequate and in conformance with National Electrical Code, ANSI/NFPA 70 - latest edition*, and all local codes and ordinances.

Failure to do so could result in fire, electrical shock or other personal injury.

Electrical Shock Hazard

- Take special care cutting holes into wall. Electrical wires may be concealed behind the wall covering and contact with them could result in electrical shock.
- Locate any electrical circuits that could be affected by the installation of this product and disconnect power circuit.

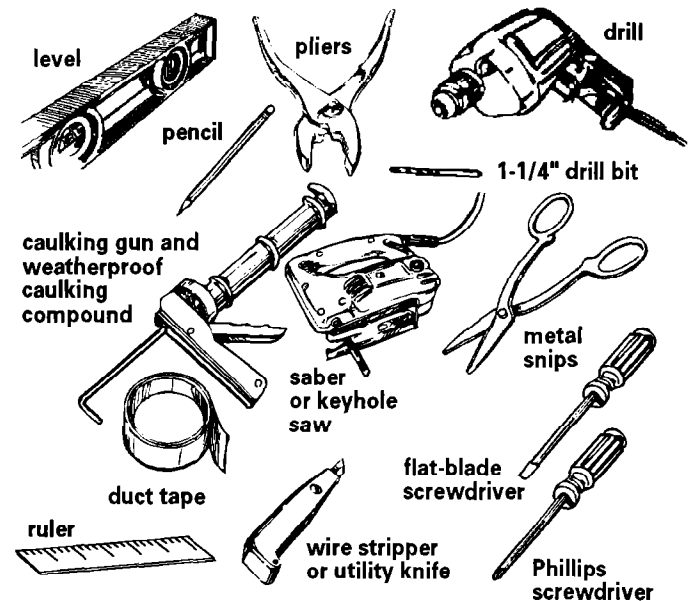
Failure to do so could result in fire, electrical shock or other personal injury.

Personal Injury Hazard

Reaching over a heated cooking surface should be avoided. To reduce the hazard of being burned, the range hood should extend a minimum of 5 inches out from the bottom of the cabinet.

Reaching over a heated cooking surface could result in a serious burn.

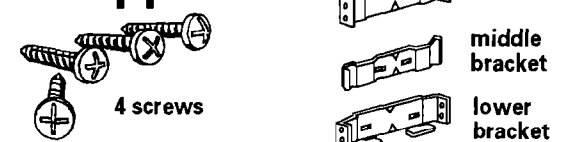
Tools needed:



Parts needed:

- 2 U.L.-listed, 1/2" conduit connectors
- wiring cable (only with remote blower)
- power supply cable
- metal ductwork
- wall or roof cap

Parts supplied:



Mobile home installation

The installation of range hood must conform to the Manufactured Home Construction and Safety Standards, Title 24 CFR, Part 3280 (formerly the Federal Standard for Mobile Home Construction and Safety, Title 24, HUD Part 280); or when such standard is not applicable, the Standard for Manufactured Home Installation 1982 (Manufactured Home Sites, Communities and Setups), ANSI A225.1/NFPA 501A, or with local codes.

Four-wire power supply must be used and the appliance wiring must be revised. See "Electrical requirements."

Copies of the standards listed may be obtained from:

* National Fire Protection Association
Batterymarch Park
Quincy, Massachusetts 02269

Venting requirements

⚠ WARNING

Fire Hazard

- Terminate venting system to outside.
- Do Not terminate the vent in an attic or other enclosed space.
- Use only metal ductwork.
- Do Not use 4" laundry-type wall caps.
- Do Not obstruct the flow of combustion and ventilation air.

Failure to follow these instructions could result in a fire.

⚠ CAUTION

Property Damage

- Before making cutouts, make sure there is proper clearance within the wall or floor for the exhaust duct.
- Do Not cut a joist or stud unless absolutely necessary. If a joist or stud must be cut, then a supporting frame must be constructed.

Failure to follow these instructions may result in property damage.

For the most efficient and quiet operation:

- ☑ The size of the ductwork should be uniform.
- ☑ Use no more than three 90° elbows.
- ☑ Make sure there is a minimum of 24 inches of straight duct between the elbows if more than one elbow is used.
- ☑ Do Not install two elbows together.
- ☑ Ducting should transition to 9" round duct as soon as possible.
- ☑ 9" round ducting is recommended for remote blowers.
- ☑ The length of ductwork and number of elbows should be kept to a minimum to provide efficient performance.
- ☑ If roof or wall cap has a damper, Do Not use damper supplied with the range hood.
- ☑ Use duct tape to seal all joints in the ductwork system.
- ☑ Use caulking to seal exterior wall or roof opening around the cap.

Determine which venting method is best for your application and follow "Installation steps" starting on Page 4.

Venting methods

This range hood can be installed as either ducted or ductless.

Ductwork needed for installation is not included. 3-1/4" x 10" rectangular, 7" round, 8" round or 9" round ducting may be used.

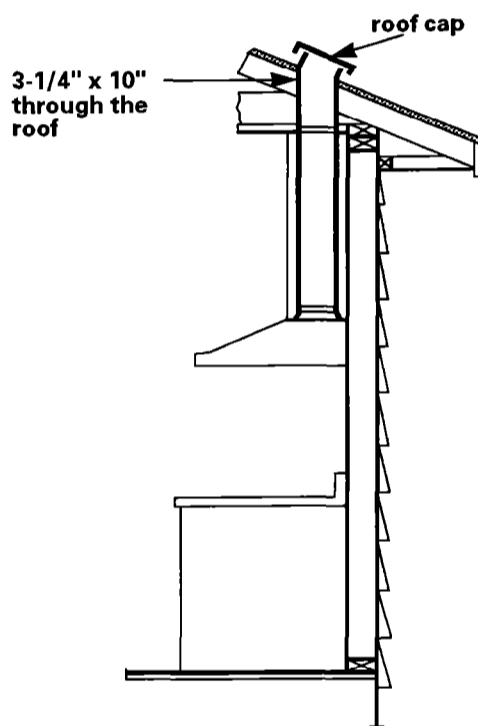
Ductwork can terminate either through the roof or wall. To vent through a wall, a 90° elbow is needed.

The ductwork length should not exceed the lengths shown in the chart below.

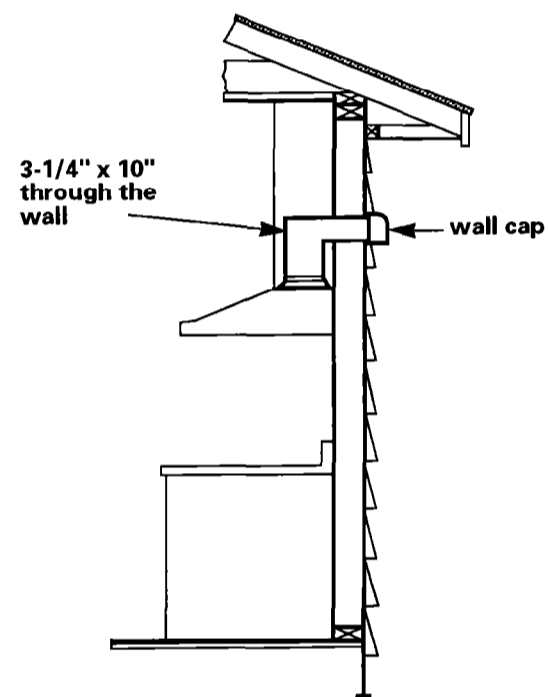
Duct size	Maximum length
3-1/4" x 10"	35 feet
7" round	40 feet
8" round	50 feet
9" round	60 feet

Ductless installations vent out the grates in the sides of the chimney. Ductless installations require a Ductless Installation Kit, (Part Nos: 4378620 almond, 4378621 stainless steel, 4378622 white), available from your KitchenAid dealer.

Vertical roof venting










Horizontal wall venting

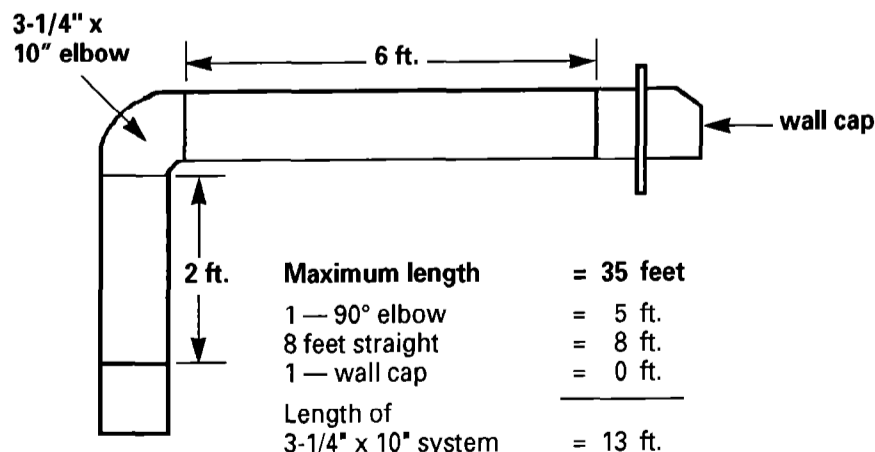


Calculating the ductwork length

To calculate the length of the system you need, add the equivalent feet for each ductwork piece used in the system.

Ductwork Piece	3-1/4" x 10" Rectangular	7", 8" or 9" Round
45° elbow	7.0 feet 	2.5 feet 
90° elbow	5.0 feet 	5.0 feet 
90° flat elbow	12.0 feet 	
transition to round	5.0 feet 	
wall cap	0.0 feet 	

3-1/4" x 10" ductwork system



Note: Flexible ductwork is Not recommended.

If it is used, each foot of flexible ductwork used is equivalent to two feet of straight metal ductwork when calculating the ductwork length. (Example: A flexible elbow equals two standard elbows.)

Electrical requirements

⚠ WARNING

Electrical Shock Hazard

- Electrical ground is required on this appliance.
 - Do Not ground to a gas pipe.
 - Do Not have a fuse in the neutral or grounding circuit. A fuse in the neutral or grounding circuit could result in electrical shock.
 - Check with a qualified electrician if you are in doubt as to whether the appliance is properly grounded.
- Failure to follow these instructions could result in serious injury or death.

If codes permit and a separate grounding wire is used, it is recommended that a qualified electrician determine that the grounding path is adequate.

- ☑ A 120-volt, 60-Hz, AC-only, fused electrical supply is required on a separate 15-amp circuit, fused on both sides of the line.
- ☑ A time-delay fuse or circuit breaker is recommended.
- ☑ CONNECT WITH COPPER WIRE ONLY.
- ☑ Connect directly to the fused disconnect (or circuit breaker box) through flexible, armored or non-metallic sheathed, copper cable (with grounding wire).
- ☑ A U.L.-listed conduit connector must be used at each end of the power supply cable.
- ☑ Allow some slack in the cable so appliance can be moved if servicing is ever necessary.

Wire sizes (COPPER ONLY) must conform with the rating of the appliance, as specified on the serial/rating plate, and to the requirements of the National Electrical Code, ANSI/NFPA 70 – latest edition (* Page 1), and all local codes and ordinances.

Wiring diagram is shown on the back cover of these instructions.

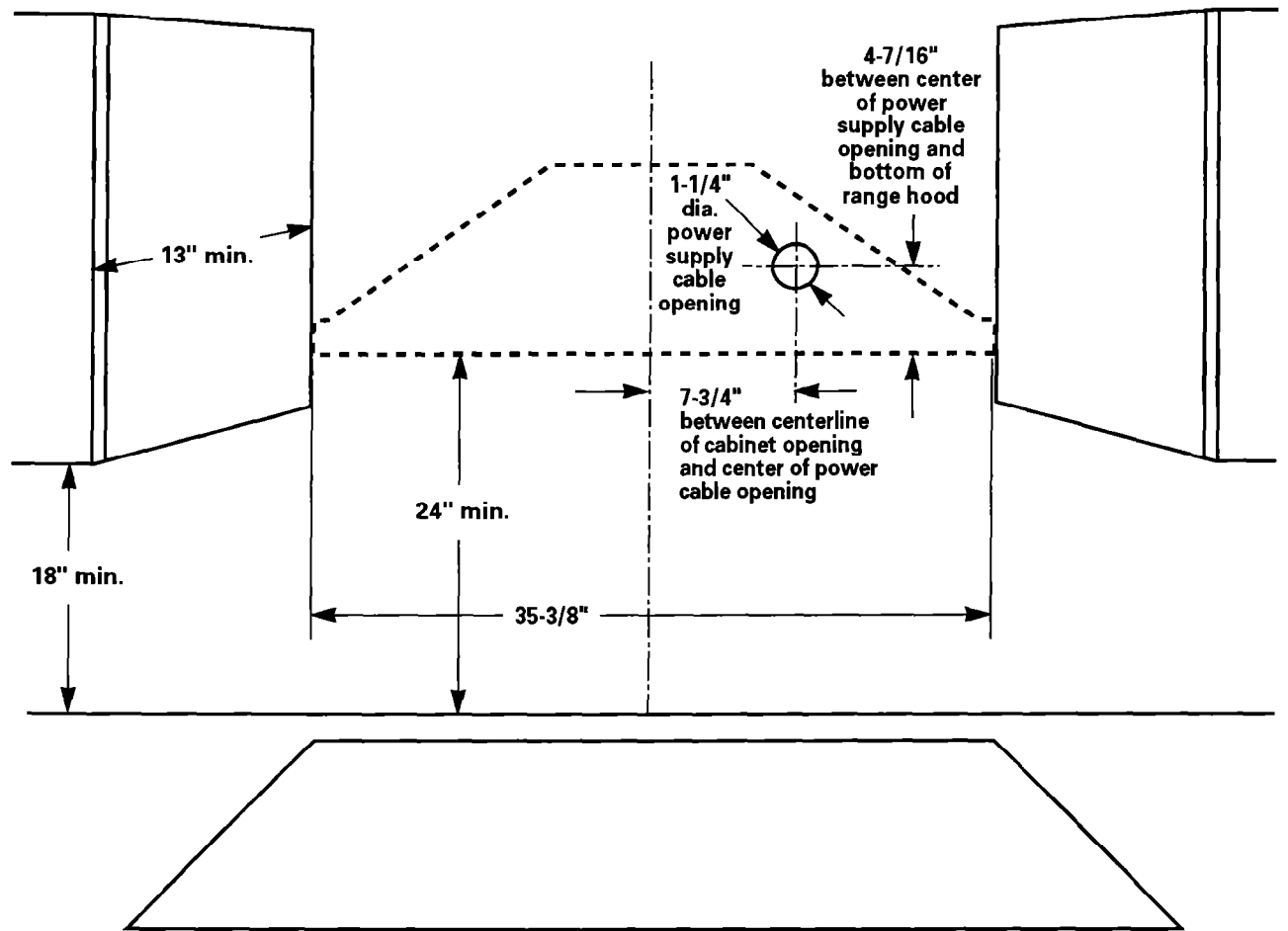
Power cable opening

⚠ WARNING

Electrical Shock Hazard

Care must be taken when drilling holes into wall. Electrical wires may be concealed behind the wall covering. Failure to do so could result in fire, electrical shock or other personal injury.

1. Determine and clearly mark a vertical centerline on the wall in the area where the range hood will be installed.
2. Mark a line 7-3/4" from the right side of the centerline. Mark a line where the bottom of the range hood will be. From this line measure up 4-7/16". Drill a 1-1/4" diameter hole through the wall at this point.



Installation steps

A Preparation

⚠ CAUTION

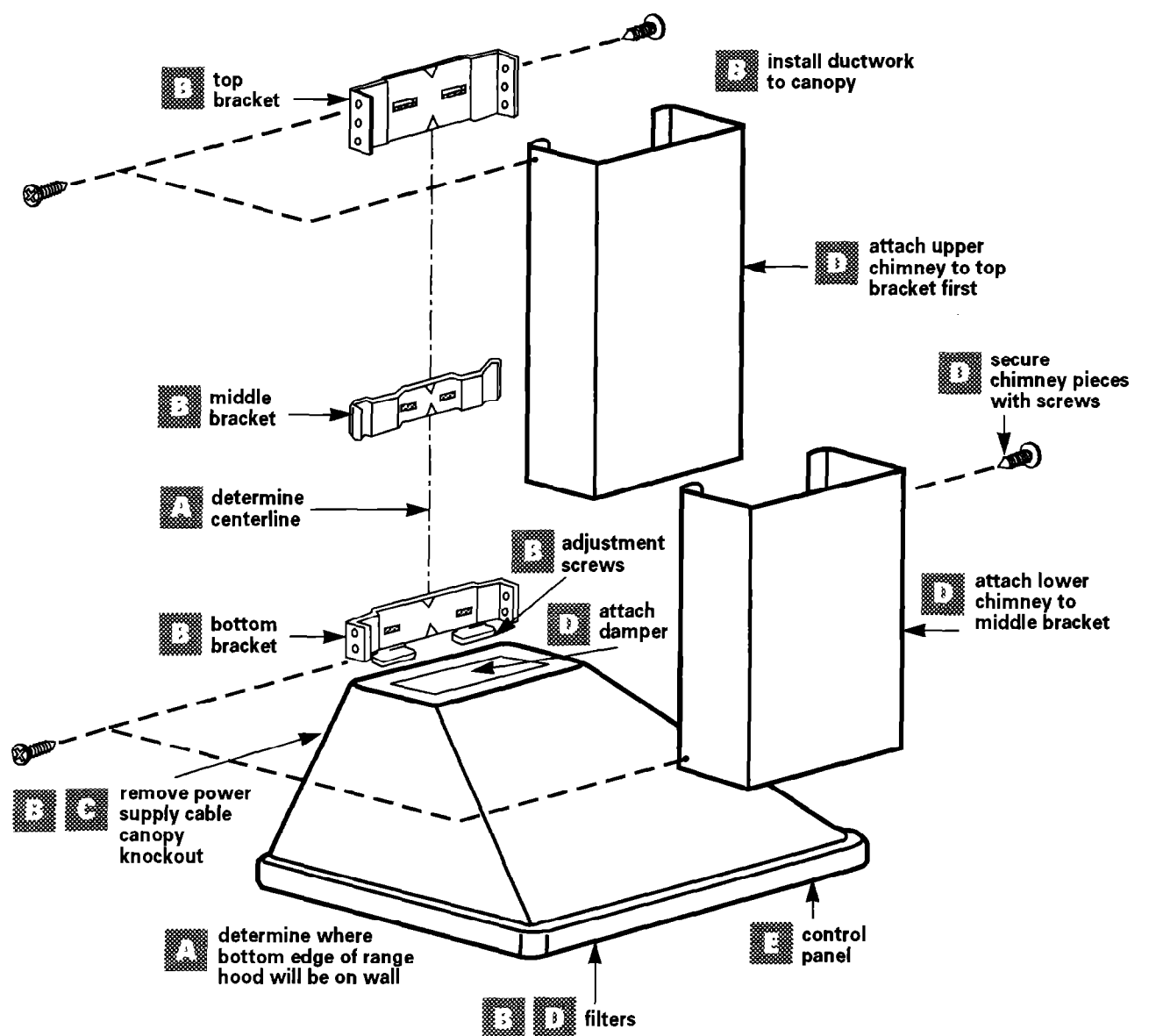
Property Damage

- Cover countertop, cooktop or range with a thick, protective covering.
 - Before making cutouts, make sure there is proper clearance within the wall or floor for the exhaust duct.
 - Do Not cut a joist or stud unless absolutely necessary. If a joist or stud must be cut, then a supporting frame must be constructed.
 - Slide cardboard or hardboard under range before moving range across floor.
- Failure to follow these instructions may result in property damage.

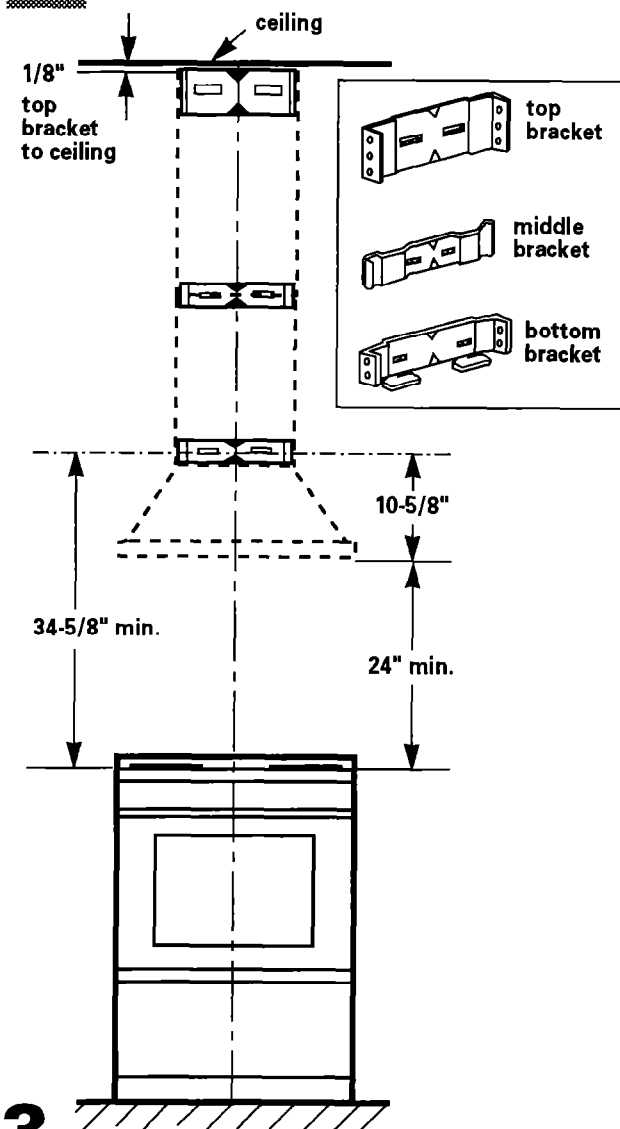
1. Disconnect and move freestanding range from cabinet opening. Put a thick, protective covering over countertop, cooktop or range to protect from damage or dirt.

2. Determine and mark the centerline on the wall where range hood will be installed. Determine and mark the location of the bottom edge of the range hood canopy (24" min. from cooking surface) on the wall where range hood will be installed.

Note: If a backsplash (Part No. 4378615 stainless steel only) is to be used with range hood, install it according to the manufacturer's instructions before installing the range hood. The backsplash height will determine the position of the bottom edge of the range hood canopy.



B Attachment



- 3.** The range hood chimney adjusts to meet varying ceiling heights from 8 feet to 9 feet. Determine and

mark the location of the chimney mounting brackets:

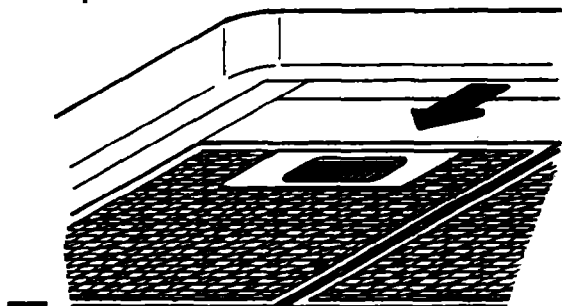
- Top bracket: 1/8" from the ceiling.
- Bottom bracket: 10-5/8" above bottom edge of range hood canopy.
- Middle bracket: At the bottom edge of the upper chimney sleeve.

Note: If canopy is mounted more than 24 inches above countertop, it may be necessary to cut the upper chimney sleeve. Use great care not to damage or bend upper chimney sleeve when cutting.

- 4.** Install the top and middle brackets with ends touching wall and curves facing out. Install bottom bracket with metal flanges on the bottom. Check that brackets are securely fastened to wall.

- 5.** Determine and make all necessary cuts in wall or ceiling for ductwork. Install ductwork. (See "Venting requirements" section, Page 2.)

- 6.** **Disconnect power supply.** Run wiring through wall or cabinets according to National Electrical Code and local codes and ordinances. **Do Not turn on power until installation is completed.**



- 7.** Press on handle in front of filters to release filters from range hood canopy. Remove filters and set aside.

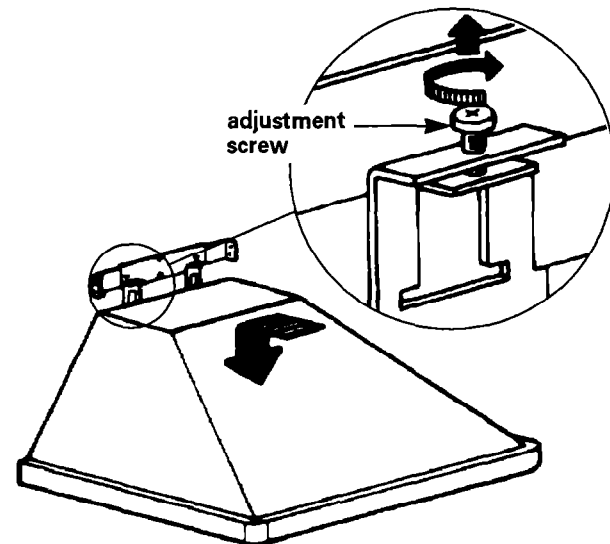
- 8.** Remove the terminal box cover from the range hood. Remove the power supply cable knockout using a flat-blade screwdriver.

! WARNING

Personal Injury Hazard

Because of the weight and size of the range hood canopy, two or more people are needed to move and safely install the range hood canopy.

Failure to properly lift range hood could result in damage to the product or personal injury.



- 9.** Rotate the two adjustment screws halfway into slots. Hang canopy from flange of lower bracket, making sure that tabs are fully inserted in slots and canopy is secure on bracket. Adjust the height of the canopy by rotating the two screws.

Attach conduit connector to power supply cable opening so that conduit connector clamping screws are on inside of range hood. Feed enough power supply cable through conduit connector to make electrical connections.

- 10.** Check that canopy is level. If needed, turn adjusting screws until canopy is level.

C Electrical connection

! WARNING

Electrical Shock Hazard

- Electrical ground is required on this appliance.
- Do Not connect to the electrical supply until the appliance is permanently grounded.
- Disconnect power to the junction box before making the electrical connection.
- This appliance must be connected to a grounded, metallic, permanent wiring system, or a grounding connector should be connected to the grounding terminal or wire lead on the appliance.

Failure to do so could result in a fire, personal injury or electrical shock.

- 11.** Make electrical connection:

- Connect the power supply cable to range hood terminal box through the U.L.-listed conduit connector.
- Connect the white wire of the power supply cable with the white lead in the range hood, using a twist-on connector; connect the black wire of the power supply cable with the black lead in the range hood, using a twist-on connector.
- Connect the power supply green (green and yellow) grounding wire under the green, grounding screw.
- Tighten conduit connector screws.
- Replace the terminal box cover.

D Install chimney sections

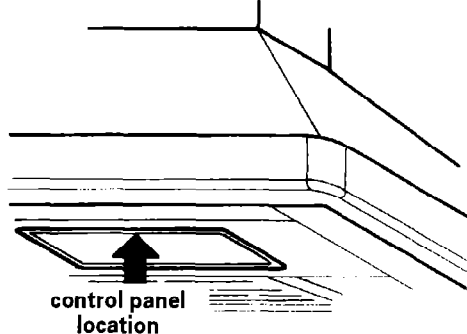
- 12.** Attach damper to exhaust opening on top of canopy using two Phillips-head screws. Connect ductwork to damper and seal all connections with duct tape.

- 13.** Position upper chimney on top and middle brackets. Slide lower chimney over upper chimney. Slide lower chimney down onto lower bracket and canopy for a snug fit. Then secure chimney pieces to brackets with screws provided.

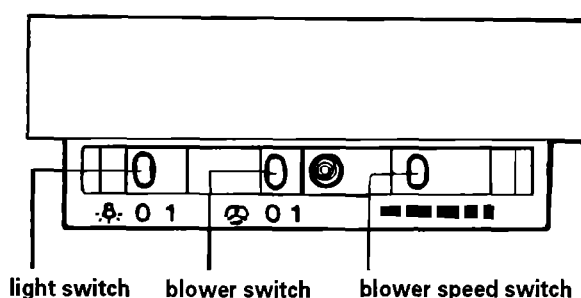
- 14.** Place filters in canopy opening so rear edge is over flange. Press filters up into position.

E Check operation

- 15.** Turn power on.



- 16.** The range hood controls are located in a grey panel on the underside of the canopy. To open the panel, press up on front edge of panel and release. The control panel will drop down.



- 17.** Check the operation of the range hood:

- Move light switch to "1" position. The light should turn on.
- Move the blower switch to "1" position. The blower should operate.
- Move the blower speed switch to the far left; blower speed should be LOW. Move blower speed to right, blower speed should gradually increase until you reach HIGH speed at far right.

- Move blower and light switches to "0" position to turn blower and light off.

If range hood does not operate:

- Check that the circuit breaker is not tripped or the house fuse blown.

To get the most efficient use from your new range hood, read the "Use and Care Information" section. Keep your KitchenAid Installation Instructions and Use and Care Guide close to range hood for easy reference.

Use and Care Information

⚠ WARNING

Grease Fire Hazard

To reduce the risk of a range top grease fire:

- Keep fan, filters and grease-laden surfaces clean.
- Always turn hood ON when cooking at high heat.
- Only use high heat setting on range when necessary.
- Use low to medium setting to heat oil.
- Never leave range unattended when cooking.
- Always use cookware and utensils appropriate to the type and amount of food being prepared.

In the event of a grease fire:

- Smother flames with a tight-fitting lid, cookie sheet or metal tray. Then turn off the element/burner.
- Evacuate and call the fire department if the flames do not go out immediately.
- Never pick up a flaming pan. You could be seriously burned.
- Do Not extinguish flames with water, wet dishcloths or towels. Water creates a violent steam explosion that could cause serious burns.
- ONLY use a fire extinguisher if:
 1. It is a Class ABC extinguisher and you know how to use it.
 2. The fire is small and contained in the area where it started.
 3. You have called the fire department.
 4. You can fight the fire with your back to an exit.

Failure to take these precautions could lead to serious personal injury or death.

⚠ WARNING

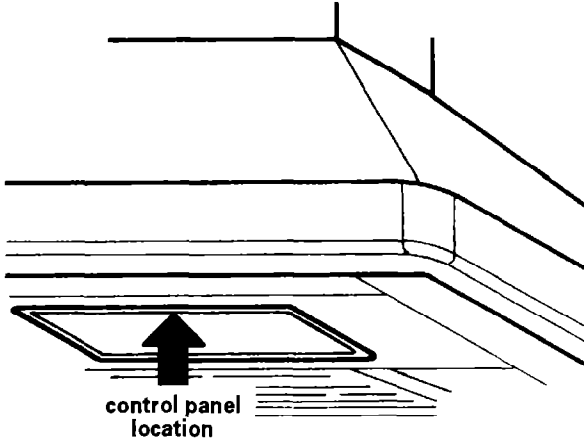
Electrical Shock Hazard

- Use range hood only in the manner intended by the manufacturer. If you have questions about its use, contact the KitchenAid Consumer Assistance Center.
- Disconnect power at service panel and lock service panel before servicing or cleaning unit.
- If any electrical problem becomes evident during use, disconnect power to range hood at fuse or circuit breaker box.

Failure to follow these instructions could result in electrical shock or fire.

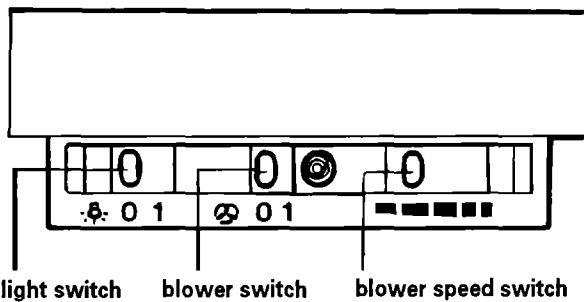
Operation

The range hood is designed to remove smoke, cooking vapors and odors from the cooktop area. For best results, start the range hood before cooking and allow it to operate several minutes after the cooking is complete to clear all smoke and odors from the kitchen.



Opening the range hood control panel:

The range hood controls are located in a grey panel on the underside of the canopy. To open the panel, press up on front edge of panel and release. The control panel will drop down.



Operating the light:

ON: Move the light switch to the "1" position.
OFF: Move the light switch to the "0" position.

Operating the blower:

ON: Move the blower switch to the "1" position.
OFF: Move the blower switch to the "0" position.

Adjusting the blower speed:

The blower has variable speed control. Move the switch to the far left for LOW speed and to the far right for HIGH speed.

Closing the range hood control panel:

Push up on the front edge of the control panel. The control panel will slide up into the canopy.

Cleaning

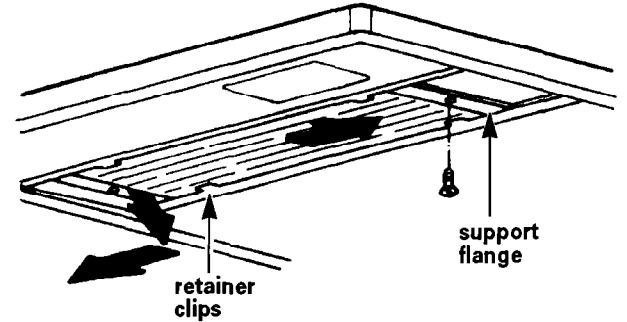
Filters:

The filters should be washed frequently. Place metal filters in dishwasher or hot detergent solution to clean.

Exterior surfaces:

Clean the range hood with a mild detergent and soft cloth. Do Not use abrasive cleanser or steel wool pads.

Maintenance



Replacing the light bulb:

Remove the retainer clips from both ends of the light cover. Carefully slide the cover all the way to the right. Then lower the left end of the light cover below the support flange and remove the light cover by sliding it back from the left.

Install a new fluorescent light bulb.

Position the right end of the light cover over the flange and slide the cover all the way to the right. Position the left end of the light cover over the flange and slide the cover back to left. Reinstall the retainer clips.

For assistance:

If you have questions about operating, cleaning or maintaining your range hood:

- ☑ Call the KitchenAid Consumer Assistance Center, 1-(800) 422-1230.

If you need service:

Maintain the quality built into your appliance by calling a KitchenAid-authorized service company. To obtain the name and number of an authorized service company:

- ☑ Contact the dealer from whom you purchased the appliance;
- ☑ Look in the Yellow Pages of your telephone directory under "Appliances — Household — Major — Service and Repair;"
- ☑ Call the KitchenAid Consumer Assistance Center, 1-(800) 422-1230.

Warranty

KitchenAid® Range Hood Warranty

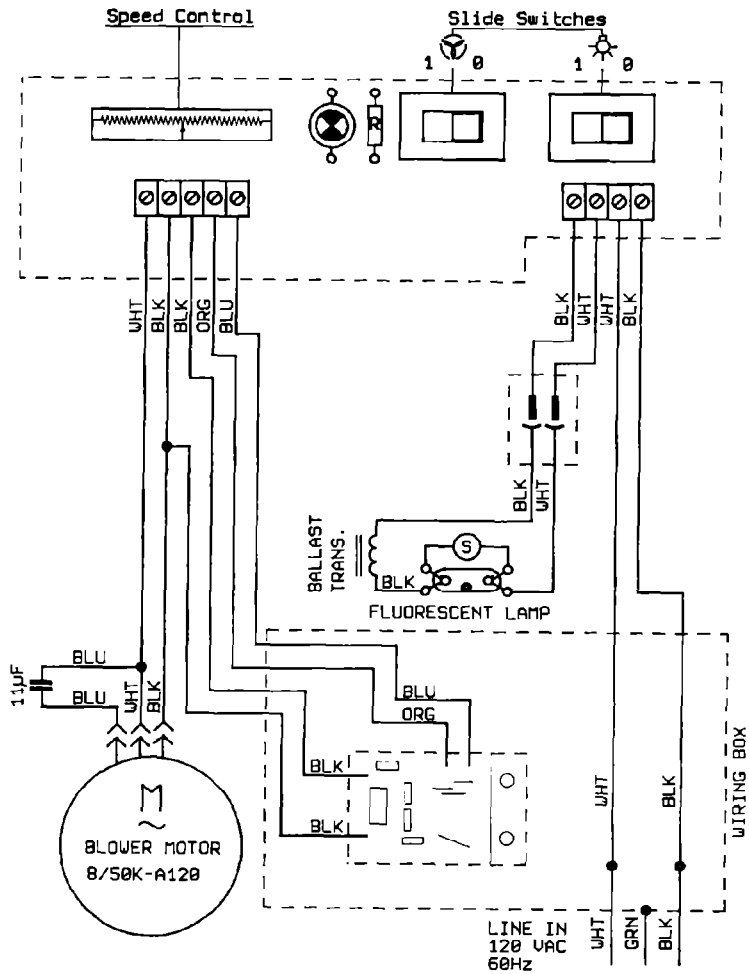
LENGTH OF WARRANTY	KitchenAid WILL PAY FOR
LIMITED ONE-YEAR WARRANTY From Date of Purchase	Labor and any parts of your range hood (except light bulbs and filters) which are defective in materials or workmanship.
KitchenAid WILL NOT PAY FOR	
A. Consumable parts such as light bulbs and filters.	
B. Service calls to: <ol style="list-style-type: none"> 1. Correct the installation of the range hood. 2. Instruct you how to use the range hood. 3. Replace house fuses or correct house wiring. 	
C. Repairs when range hood is used in other than normal, single-family household use.	
D. Pickup and delivery. This product is designed to be repaired in the home.	
E. Damage to range hood caused by accident, misuse, fire, flood, act of God or use of products not approved by KitchenAid.	

KITCHENAID SHALL NOT BE LIABLE FOR INCIDENTAL OR CONSEQUENTIAL DAMAGES. Some states do not allow the exclusion or limitation of incidental or consequential damages so this limitation or exclusion may not apply to you. This warranty gives you specific legal rights, and you may also have other rights which vary from state to state.

Outside the United States, a different warranty may also apply. For details, please contact your franchised KitchenAid distributor or military exchange.

Wiring diagrams

Internal blower



Accessories available from your dealer

Note: Instructions are included with each kit.

- Backsplash:** Part No. 4378615
(stainless steel only) must be installed before hood is installed.
- Wire Racks:** Part No. 4378616
(chrome only)
- Rack Hanger Kits:** Part No. 4378617
(chrome only)
- Utensil Bars:** Part No. 4378618
35-3/8" (90 cm) long
(stainless steel only)
- Part No. 4378619
15" (38 cm) long
(stainless steel only).
- Charcoal Filters:** Part No. 4378623
(2 per pkg.)
- Ductless Venting Kits:** Part No. 4378620
(almond)
Part No. 4378621
(stainless steel)
Part No. 4378622
(white)

Part No. 6899551/883297

© 1994 KitchenAid

® KitchenAid Registered Trademark of KitchenAid.

KitchenAid®
HOME APPLIANCES

Prepared by KitchenAid, St. Joseph, Michigan 49085

Download from Www.Somanuals.com. All Manuals Search And Download.



Printed on recycled paper.
10% post consumer waste/
50% recovered materials

Printed in U.S.A.

Free Manuals Download Website

<http://myh66.com>

<http://usermanuals.us>

<http://www.somanuals.com>

<http://www.4manuals.cc>

<http://www.manual-lib.com>

<http://www.404manual.com>

<http://www.luxmanual.com>

<http://aubethermostatmanual.com>

Golf course search by state

<http://golfingnear.com>

Email search by domain

<http://emailbydomain.com>

Auto manuals search

<http://auto.somanuals.com>

TV manuals search

<http://tv.somanuals.com>