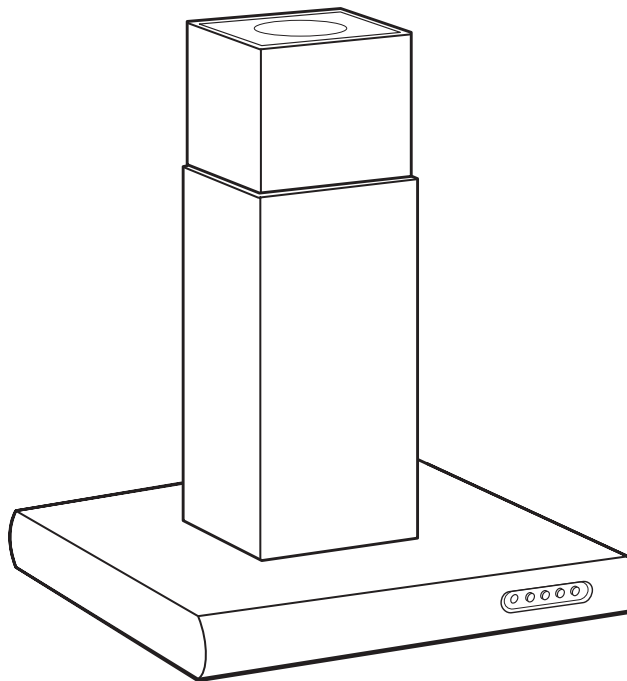


KitchenAid®

36" (91.4 cm) PRO-LINE™ SERIES ISLAND RANGE HOOD
Installation Instructions and Use and Care Guide

HOTTE D'ASPIRATION PRO-LINE™ DE 36" (91,4 cm)
POUR CUISINE CONFIGURÉE EN ÎLOT
Instructions d'installation et Guide d'utilisation et d'entretien

Table of Contents/Table des matières.....2



**IMPORTANT: READ AND SAVE THESE INSTRUCTIONS.
FOR RESIDENTIAL USE ONLY.**

**IMPORTANT : LIRE ET CONSERVER CES INSTRUCTIONS.
POUR UTILISATION RÉSIDENNELLE UNIQUEMENT.**

IMPORTANT:

Installer: Leave installation instructions with the homeowner.

Homeowner: Keep installation instructions for future reference.
Save installation instructions for local inspector's use.

IMPORTANT :

Installateur : Remettre les instructions d'installation au propriétaire.

Propriétaire : Conserver les instructions d'installation pour consultation ultérieure.
Conserver les instructions d'installation pour consultation par l'inspecteur local.

9763382

TABLE OF CONTENTS

RANGE HOOD SAFETY	2
INSTALLATION REQUIREMENTS	4
Tools and Parts	4
Location Requirements	4
Venting Requirements	5
Electrical Requirements	6
INSTALLATION INSTRUCTIONS	7
Install Chimney Support	7
Complete Chimney Support Installation	8
Make Electrical Connection	8
Install Chimney Covers	9
Install Range Hood	10
Complete Installation	10
Check Operation	11
RANGE HOOD USE	11
Operation	11
RANGE HOOD CARE	12
Cleaning and Maintenance	12
Accessories	12
REQUESTING ASSISTANCE OR SERVICE	13
RANGE HOOD WARRANTY	14
WIRING DIAGRAM	15

TABLE DES MATIÈRES

SÉCURITÉ DE LA HOTTE DE CUISINIÈRE	16
EXIGENCES D'INSTALLATION	18
Outillage et pièces	18
Exigences d'emplacement	18
Exigences concernant l'évacuation	19
Spécifications électriques	20
INSTRUCTIONS D'INSTALLATION	21
Installation du support de cheminée	21
Achever l'installation du support de cheminée	22
Raccordement électrique	22
Installation du cache-cheminée	23
Installation de la hotte de cuisinière	24
Achever l'installation	25
Contrôle du fonctionnement	25
UTILISATION DE LA HOTTE DE CUISINIÈRE	26
Fonctionnement	26
ENTRETIEN DE LA HOTTE DE CUISINIÈRE	26
Nettoyage et entretien	26
Accessoires	27
DEMANDE D'ASSISTANCE OU DE SERVICE	28
GARANTIE DE LA HOTTE DE CUISINIÈRE	29
SCHÉMA DE CÂBLAGE	30

RANGE HOOD SAFETY

Your safety and the safety of others are very important.

We have provided many important safety messages in this manual and on your appliance. Always read and obey all safety messages.



This is the safety alert symbol.

This symbol alerts you to potential hazards that can kill or hurt you and others.

All safety messages will follow the safety alert symbol and either the word "DANGER" or "WARNING."

These words mean:

⚠ DANGER

You can be killed or seriously injured if you don't immediately follow instructions.

⚠ WARNING

You can be killed or seriously injured if you don't follow instructions.

All safety messages will tell you what the potential hazard is, tell you how to reduce the chance of injury, and tell you what can happen if the instructions are not followed.

IMPORTANT SAFETY INSTRUCTIONS

WARNING: TO REDUCE THE RISK OF FIRE, ELECTRIC SHOCK, OR INJURY TO PERSONS, OBSERVE THE FOLLOWING:

- Use this unit only in the manner intended by the manufacturer. If you have questions, contact the manufacturer.
- Before servicing or cleaning the unit, switch the power off at the service panel disconnecting means to prevent power from being switched on accidentally. When the service disconnecting means cannot be locked, securely fasten a prominent warning device, such as a tag, to the service panel.
- Installation work and electrical wiring must be done by qualified person(s) in accordance with all applicable codes & standards, including fire-rated construction.
- Sufficient air is needed for proper combustion and exhausting of gases through the flue (chimney) of fuel burning equipment to prevent backdrafting. Follow the heating equipment manufacturer's guideline and safety standards such as those published by the National Fire Protection Association (NFPA), the American Society for Heating, Refrigeration and Air Conditioning Engineers (ASHRAE), and the local code authorities.
- When cutting or drilling into wall or ceiling; do not damage electrical wiring and other utilities.
- Ducted systems must always be vented outdoors.

CAUTION: For general ventilating use only. Do not use to exhaust hazardous or explosive materials and vapors.

CAUTION: To reduce risk of fire and to properly exhaust air, be sure to duct air outside - do not vent exhaust air into spaces within walls ceilings, attics, crawl spaces, or garages.

WARNING: TO REDUCE THE RISK OF FIRE, USE ONLY METAL DUCTWORK.

WARNING: TO REDUCE THE RISK OF A RANGE TOP GREASE FIRE:

- Never leave the surface units unattended at high settings. Boilovers cause smoking and greasy spillovers that may ignite. Heat oils slowly on low or medium settings.
- Always turn hood ON when cooking at high heat or when flaming food (i.e. Crepes Suzette, Cherries Jubilee, Peppercorn Beef Flambe).
- Clean ventilating fans frequently. Grease should not be allowed to accumulate on fan or filter.
- Use proper pan size. Always use cookware appropriate for the size of the surface element.

WARNING: TO REDUCE THE RISK OF INJURY TO PERSONS IN THE EVENT OF A RANGE TOP GREASE FIRE, OBSERVE THE FOLLOWING:^a

- SMOTHER FLAMES with a close fitting lid, cookie sheet, or other metal tray, then turn off the gas burner or electric element. BE CAREFUL TO PREVENT BURNS. If the flames do not go out immediately, EVACUATE AND CALL THE FIRE DEPARTMENT.
- NEVER PICK UP A FLAMING PAN - you may be burned.
- DO NOT USE WATER, including wet dishcloths or towels - a violent steam explosion will result.
- Use an extinguisher ONLY if:
 - You know you have a class ABC extinguisher, and you already know how to operate it.
 - The fire is small and contained in the area where it started.
 - The fire department is being called.
 - You can fight the fire with your back to an exit.

^aBased on "Kitchen Fire Safety Tips" published by NFPA.

- **WARNING:** To reduce the risk of fire or electrical shock, do not use this fan with any solid-state speed control device.

SAVE THESE INSTRUCTIONS

INSTALLATION REQUIREMENTS

Tools and Parts

Gather the required tools and parts before starting installation. Read and follow the safety instructions provided with any tools listed here.

Tools needed:

- level
- drill with 1/4" (3.0 cm) drill bit
- pilot hole drill bit (determined by chimney support attachment method)
- pencil
- wire stripper or utility knife
- measuring tape or ruler
- pliers
- caulking gun and weatherproof caulking compound
- duct tape
- jig saw or keyhole saw
- flat blade screwdriver
- metal snips
- Phillips screwdriver

Parts needed:

- 2 UL- or CSA- listed, 1/2" (12.5 mm) strain reliefs
- power supply cable
- 1 wall or roof cap
- metal vent system
- 4, concrete anchors for 1/4" x 4" hex head lag bolts if installing into concrete

Parts supplied:

Remove parts from packages. Check that all parts were included.

- hood canopy assembly with ventilator and light bulbs installed
- chimney assembly
- ceiling template
- Installation Instructions and Use & Care Guide
- 3 filters
- hardware package (4 wood shelf bolts, 4 wood shelf bolt washers, 4 wood shelf nuts, 4 concrete plugs, 1 mounting template, 1 damper)

Location Requirements

IMPORTANT: Observe all governing codes and ordinances.

Island hood location should be away from strong draft areas, such as windows, doors and strong heating vents.

Cabinet opening dimensions that are shown must be used. Given dimensions provide minimum clearance.

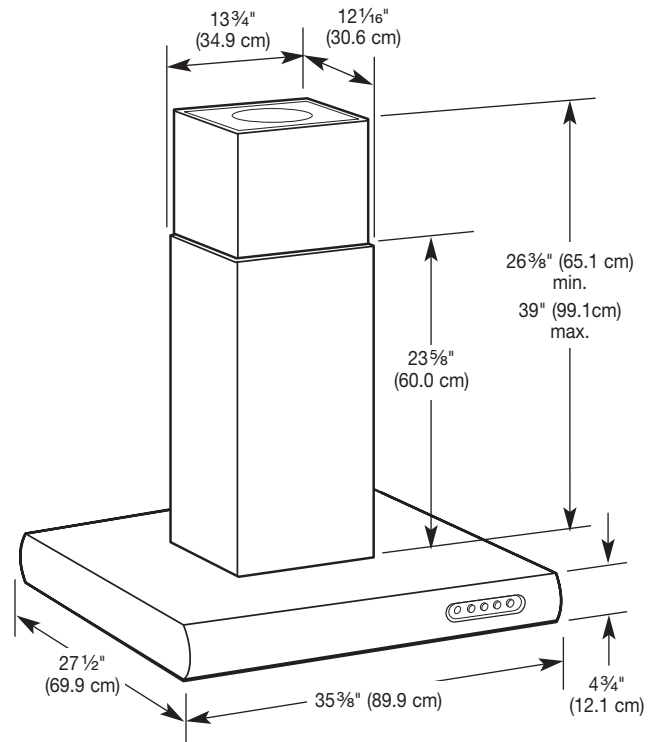
Grounded electrical outlet is required. See "Electrical Requirements" section.

It is recommended that the hood be fastened into solid wood.

The island hood is factory set for venting through the roof or wall. For recirculating installations see "Recirculating Installations" in "Install Chimney Covers" section.

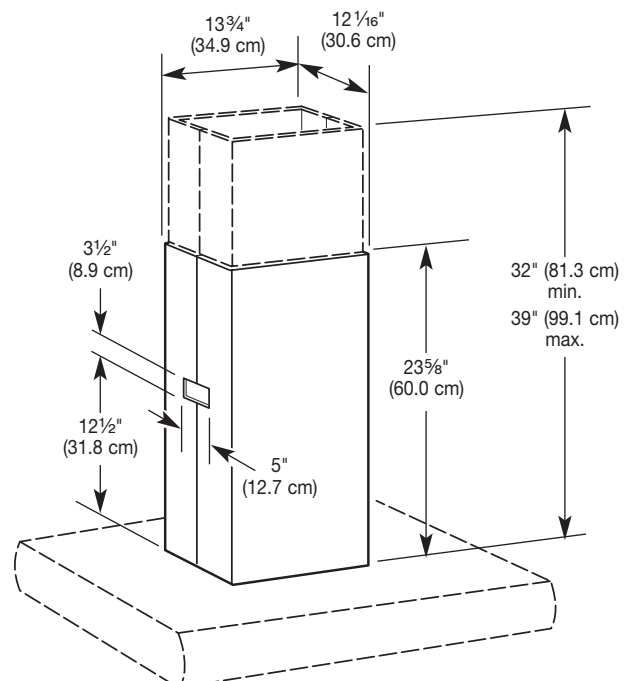
All openings in ceiling and where island hood will be installed must be sealed.

Product Dimensions

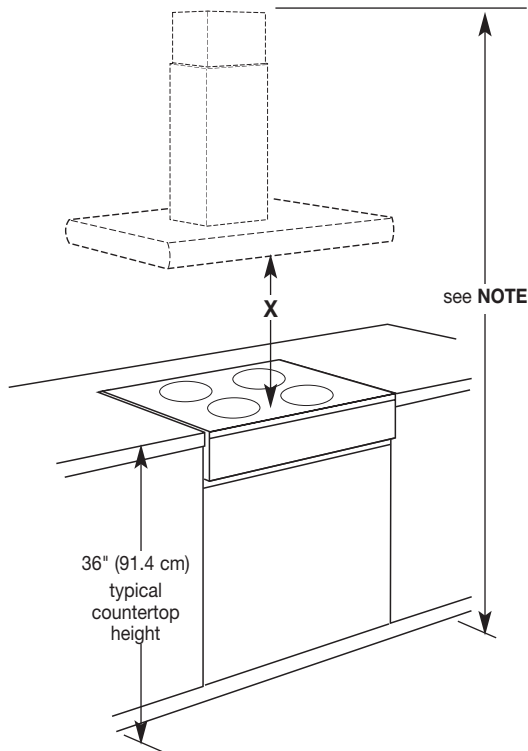


Recirculating chimney kit dimensions

For recirculating installations, optional Recirculating Chimney Kit No. 4396911 (Stainless Steel) or Kit No. 4396912 (Meteorite) must be used. These kits include a new lower chimney cover (that replaces the lower chimney cover shipped with the island hood), a charcoal filter and a diverter.



Installation Clearances



NOTE: The hood chimneys are adjustable and designed to meet varying ceiling or soffit heights depending on the distance “X” between the bottom of the hood and the cooking surface. For higher ceilings, a 40" (101.6 cm) Chimney Extension Kit No. 4396913 (Stainless Steel) or Kit No. 4396914 (Meteorite) is available. See your dealer. The chimney extension replaces the upper chimney shipped with the hood.

IMPORTANT:

Minimum distance “X”: 24" (61.0 cm)

Suggested maximum distance “X”: 30" (76.2 cm)

For vented installations, the chimneys can be adjusted for ceilings between 7' 7½" (2.31 m) and 9' 1¼" (2.79 m).

For recirculating installations, the chimney can be adjusted for ceilings between 8' 3¾" (2.52 m) and 9' 5¼" (2.88 m).

Venting Requirements

- Vent system must terminate to the outside, except for the recirculating installation.
- Do not terminate the vent system in an attic or other enclosed area.
- Do not use 4" (10.2 cm) laundry-type wall caps.
- Use 6" (15.2 cm) metal vent only. Rigid metal vent is recommended. Do not use plastic or metal foil vent.

For the most efficient and quiet operation:

- Use a straight run or as few elbows as possible.
- Use no more than three 90° elbows.
- Make sure there is a minimum of 24" (61 cm) of straight vent between the elbows if more than one elbow is used.
- Do not install two elbows together.
- Use duct tape to seal all joints in the vent system.
- Use caulking to seal exterior wall or roof opening around the cap.

Cold weather installations

An additional backdraft damper should be installed to minimize backward cold air flow and a nonmetallic thermal break to minimize conduction of outside temperatures as part of the vent system. The damper should be on the cold air side of the thermal break.

The break should be as close as possible to where the vent system enters the heated portion of the house.

Make-up air

Local building codes may require the use of make-up air systems when using ventilation systems greater than specified CFM of air movement. The specified CFM varies from locale to locale. Consult your HVAC professional for specific requirements in your area.

Venting Methods

This hood is factory set for venting through the roof or wall.

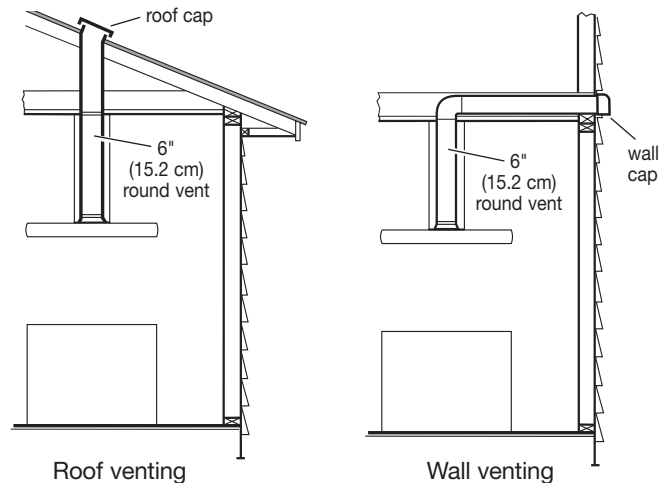
A 6" (15.2 cm) round vent system is needed for installation (not included). The hood exhaust opening is 6" (15.2 cm) round.

NOTE: Flexible vent is not recommended. Flexible vent creates back pressure and air turbulence that greatly reduces performance.

Vent system can terminate either through the roof or wall. To vent through a wall, a 90° elbow is needed.



A 6" (15.2 cm) round vent system length should not exceed 35 feet (10.7 m).

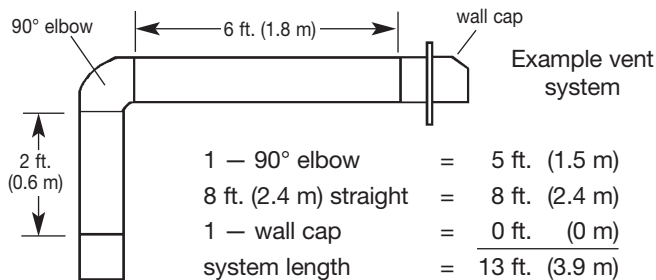
For recirculating installations see “Recirculating Installations” in “Install Chimney Covers” section.



Calculating Vent System Length

To calculate the length of the system you need, add the equivalent feet (meters) for each vent piece used in the system. Maximum equivalent vent length is 35 feet (10.7 meters).

Vent piece	6" (15.2 cm) round
45° elbow	2.5 feet (0.8 m) 
90° elbow	5.0 feet (1.5 m) 



NOTE: Flexible vent is not recommended. Flexible vent creates back pressure and air turbulence that gently reduce performance.

Electrical Requirements

⚠ WARNING



Electrical Shock Hazard

Disconnect power before servicing.

Replace all parts and panels before operating.

Failure to do so can result in death or electrical shock.

IMPORTANT: The hood must be electrically grounded in accordance with local codes and ordinances, or in the absence of local codes, with the National Electrical Code, ANSI/NFPA 70, latest edition, or Canadian Electrical Code, CSA C22.1.

If codes permit and a separate ground wire is used, it is recommended that a qualified electrical installer determine that the ground path is adequate.

A copy of the above code standards can be obtained from:

National Fire Protection Association
One Batterymarch Park, Quincy, MA 02269

CSA International
8501 East Pleasant Valley Road
Cleveland, Ohio 44131-5575

- A 120-volt, 60-Hz, AC-only, 15-amp, fused electrical circuit is required. A time-delay fuse or circuit breaker is also recommended. It is recommended that a separate circuit serving only this hood be provided.
- Do not ground to a gas pipe.
- Check with a qualified electrician if you are not sure range hood is properly grounded.
- Do not have a fuse in the neutral or ground circuit.
- The range hood must be connected with copper wire only.
- The range hood should be connected directly to the fused disconnect (or circuit breaker) box through flexible armored or nonmetallic sheathed copper cable.
- A UL- or CSA-listed strain relief must be provided at each end of the power supply cable. Wire sizes (copper wire only) and connections must conform with the rating of the appliance as specified on the model/serial rating plate.
- Wire sizes must conform to the requirements of the National Electrical Code, ANSI/NFPA 70, latest edition, or CSA Standards C22.1-94, Canadian Electrical Code, Part 1 and C22.2 No. 0-M91, latest edition, and all local codes and ordinances.

INSTALLATION INSTRUCTIONS

Install Chimney Support

Because of the size and weight of this island hood, the chimney support must be securely attached to the ceiling.

- For plaster or drywall ceilings, the chimney support must be attached to joists. If this is not possible, you must build a support structure behind the plaster or drywall.
- Do not cut a joist or stud unless absolutely necessary. If a joist or stud must be cut, then a supporting frame must be constructed.
- Before making cutouts, make sure there is proper clearance within the ceiling or wall for exhaust vent.

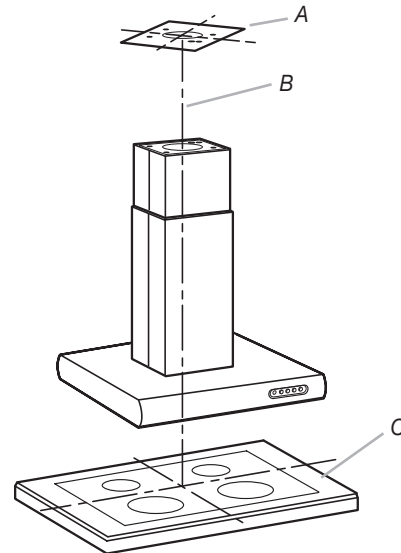
⚠ WARNING

Excessive Weight Hazard

**Use two or more people to move and install range hood.
Failure to do so can result in back or other injury.**

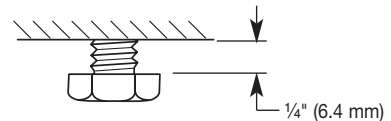
1. Select a flat surface for assembling the hood. Cover that surface with a protective covering such as a blanket or cardboard during assembly.
NOTE: Do not remove the plastic covering on the chimney covers at this time. The covering protects the chimney during installation.
2. Using two or more people, place all hood parts and hardware on the protective covering
The chimney section of the hood is shipped assembled. It must be disassembled for installation.
3. Slide apart the chimney covers.
4. Remove the lower chimney cover from the chimney support by removing the two Phillips screws on the outside bottom of the chimney cover.
5. Remove the upper chimney cover from the chimney support by removing the two Phillips screws on the outside top of the chimney cover.
6. Determine and mark the centerline on the ceiling where the hood will be installed, making sure that the hood is centered over the cooking surface.

7. Tape the template (supplied in the chimney support carton) to the ceiling and mark the mounting holes, electrical hole and vent location (if used) on the ceiling.



A. Template on ceiling
B. Centerline
C. Cooking surface

8. Drill pilot holes in the chimney support mounting hole locations for your attachment method.
9. Use a 1¼" or 3.0 cm drill bit to drill the hole for the power supply cable.
10. If venting to the outside, cut the hole for the vent system in the ceiling and install the vent system. See "Venting Requirements" section.
11. If venting to the outside, place the round damper into the exhaust opening of the vent motor housing.
12. Remove the 4 chimney support ceiling attachment bolts from the parts bag and install in previously drilled pilot holes. Leave screw heads about ¼" (6.4 mm) away from ceiling strips.

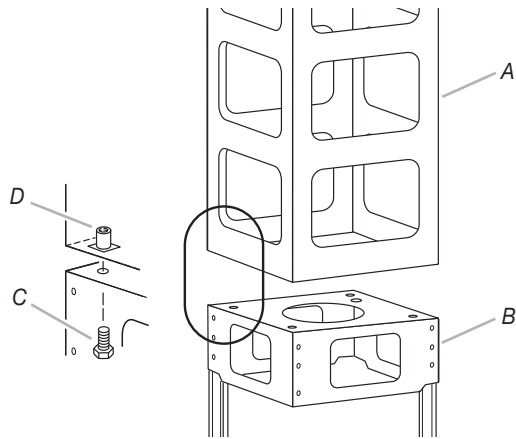


13. If the extension kit is not being installed, go to "Complete Chimney Support Installation" section.

Installing Chimney Extension Kit (Optional)

1. Remove chimney extension cover (if factory assembled).
2. Position the chimney extension over the chimney support so that the outside edges and the electrical holes line up.

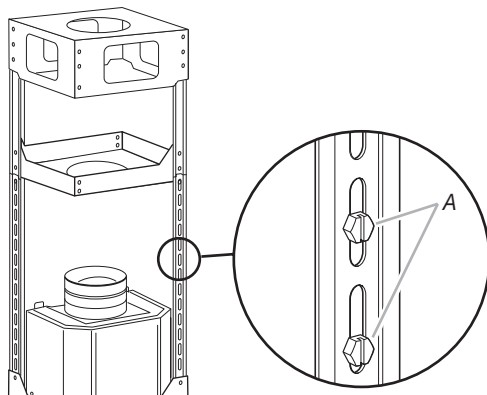
- Attach the extension to the support using the 4 bolts supplied with the extension kit. Tighten bolts securely.



A. Chimney extension frame
B. Chimney support
C. Bolt
D. Captive threaded insert

Complete Chimney Support Installation

- Run wire through the 1¼" (3.0 cm) electrical hole in the ceiling according to the National Electrical Code or CSA Standards and local codes and ordinances. There must be enough power supply cable from the fused disconnect (or circuit breaker) box to make the connection in the hood's electrical wiring box.
- Use caulk to seal all openings.
NOTE: Do not reconnect power until installation is complete.
- Remove wiring box cover located on the top section of the chimney support.
- Install a UL- or CSA-listed strain relief in the wiring box so that the screws can be tightened after the chimney support is attached to the ceiling.
- Lift chimney support into final position, feeding electrical wire through the strain relief.
- Position the chimney support so that the large end of the keyhole slots are over the ceiling attachment bolts. Then push the chimney support so that the bolts are in the neck of the slots. Tighten bolts securely.
IMPORTANT: The chimney support must be securely attached to the ceiling.
- Determine the desired length of the chimney support.
- Remove the four screws and adjust the length of the lower chimney support as needed.
NOTE: This is the only section that can be adjusted.



A. Screws

- Replace the four screws and tighten securely.

Make Electrical Connection

⚠ WARNING



Electrical Shock Hazard

Disconnect power before servicing.

Replace all parts and panels before operating.

Failure to do so can result in death or electrical shock.

- Disconnect power.
- Use twist-on connectors and connect black wires together.
- Use twist-on connectors and connect white wires together.

⚠ WARNING



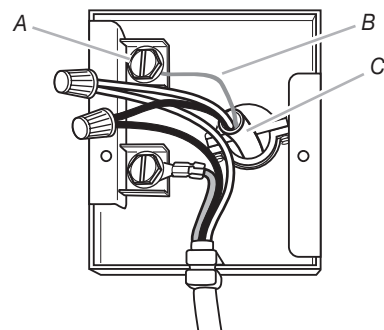
Electrical Shock Hazard

Electrically ground blower.

Connect ground wire to green ground screw in terminal box.

Failure to do so can result in death or electrical shock.

- Connect ground wire to green ground screw in terminal box.



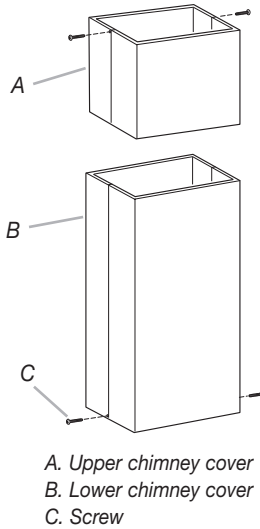
A. Ground screw connector
B. Ground wire
C. Power supply cable

- Tighten strain relief securely.
- Replace wiring box cover. Tighten screw securely.

Install Chimney Covers

Vented Installation Option

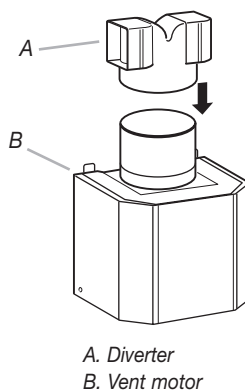
1. Attach the vent system to the damper. Seal all joints with duct tape.
2. Remove the plastic covering from the chimney covers.
3. Slide the upper chimney cover over the chimney support and attach to the top of the support using two screws provided.



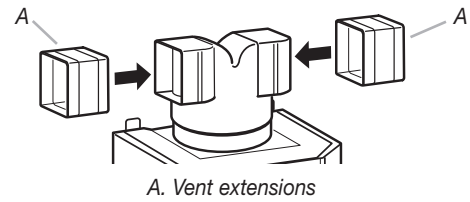
4. Slide the lower chimney cover over the chimney support and the upper cover. Attach to the bottom of the support using two screws provided.

Recirculating Installation Option, Kit Required

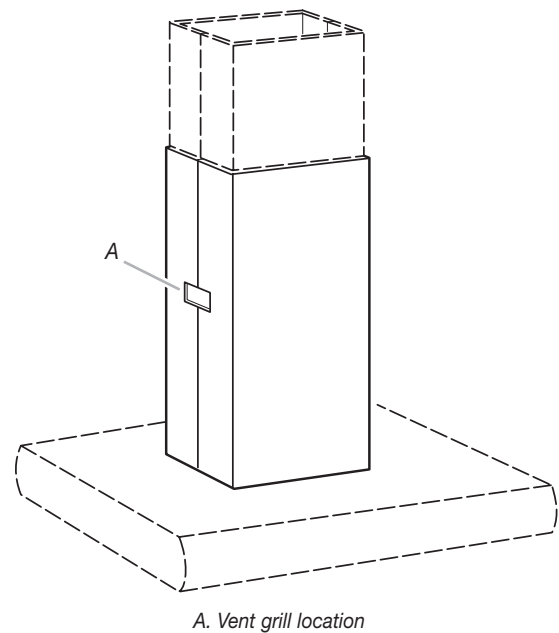
1. Remove the plastic covering from the chimney covers.
2. Slide the upper chimney cover over the chimney support and attach to the top of the support using two screws provided.
3. Place the diverter from the Recirculating Chimney Kit over the vent motor exhaust outlet and push down to seat on the outlet. Make sure the diverter exhaust outlets are parallel with the vent motor sides so that they will align with the vent cover openings in lower chimney.



4. Install the two vent extension pieces onto the diverter, pushing them until they stop.



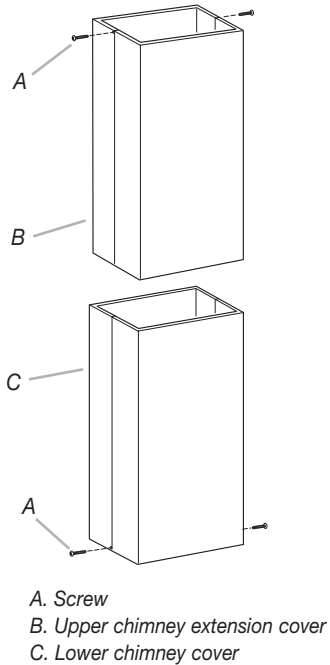
5. Discard the lower chimney cover shipped with the hood and use the cover from the Recirculating Kit (purchased separately).
6. Slide the recirculating kit lower chimney cover over the chimney support and the upper cover. Make sure the diverter extensions line up with the openings in the cover. Attach the cover using the two screws provided.
7. Snap vent grilles into place.



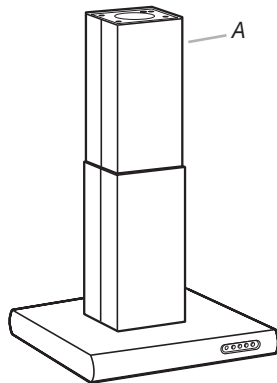
Chimney Extension Kit Installation (Optional)

1. Remove the plastic covering from the chimney covers.
2. Discard the upper chimney cover supplied with the hood.

- Slide the chimney cover provided with the extension kit over the lower chimney support and extension frame and secure to the top of the extension frame using the two screws provided.

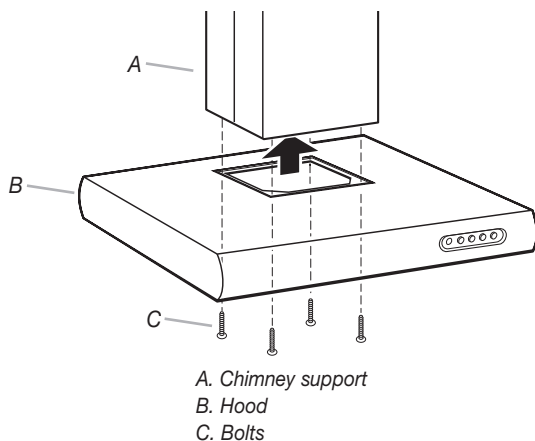


- Slide lower chimney cover over the chimney support and extension chimney cover and attach to the bottom of the support using the two screws provided.

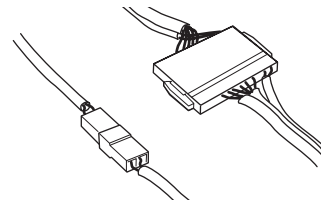


Install Range Hood

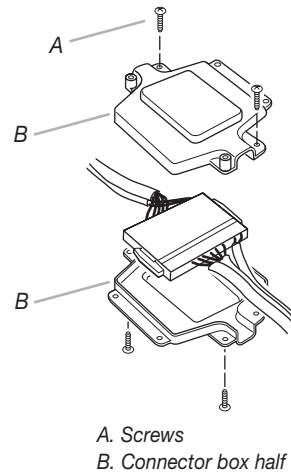
- Lift the hood up against the chimney support and attach to the support with 4 bolts provided. Tighten bolts securely.



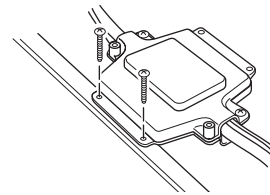
- From the underside of the hood, plug control cables together as shown.



- Insert each connected cable into a black plastic connector box half.
- Place the top half of the connector box on each and screw the two halves together using the four screws provided for each connector box.

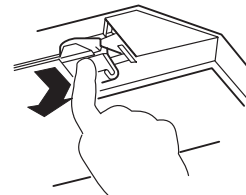


- Using the two longer screws provided for each box, attach the assembled connector boxes to the metal flange.

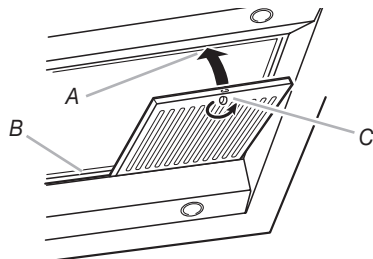


Complete Installation

- For recirculating installations only, install charcoal filter from Recirculating Chimney Kit behind the center grease filter by inserting and locking it in place.



2. Install grease filters using two hands by first pulling and turning the knob to the left so that the locking lever does not protrude from the filter.
3. Insert the opposite end of the filter into the retaining channel.
4. Insert knob end and turn knob to the right to lock the filter into place.

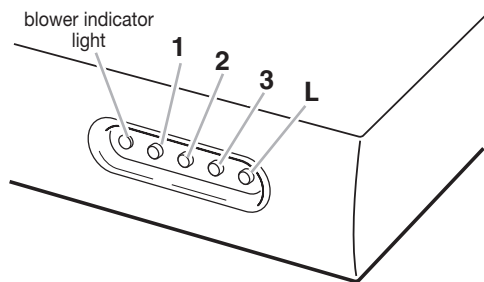


A. Locking lever slot
B. Retaining channel
C. Knob

5. Repeat for remaining filters.
6. Reconnect power.

Check Operation

1. Check operation of the range hood by turning the power on.



2. Push the right-hand button "L" in to turn the lights on, push in again to turn lights off.
3. Push the left-hand button "1" in to turn the blower on.
NOTE: This button must be pushed in for the blower to operate at any speed. The blower indicator light will light up to indicate blower is on and the blower will operate at low speed.
4. Push button "2" to operate the blower at medium speed.
5. Push button "3" to operate blower at high speed.
6. Push button "1" to turn blower off.

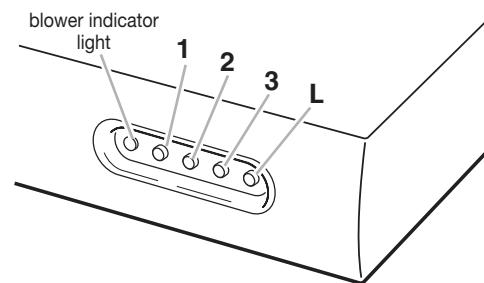
RANGE HOOD USE

Operation

The hood is designed to remove smoke, cooking vapors and odors from the cooktop area. For best results, start the hood before cooking and allow it to operate several minutes after the cooking is complete to clear all smoke and odors from the kitchen.

Hood control panel

The hood controls are located on the right-hand front surface of the hood.



Operating the light

1. Push the right-hand button "L" in to turn the lights on.
2. Push in again to turn lights off.

Operating the blower

1. Push the left-hand button "1" in to turn the blower on.
NOTE: This button must be pushed in for the blower to operate at any speed. The blower indicator light will light up to indicate blower is on and the blower will operate at low speed.
2. Push button "2" to operate the blower at medium speed.
3. Push button "3" to operate blower at high speed.
4. Push button "1" to turn blower off.

RANGE HOOD CARE

Cleaning and Maintenance

Be sure lights are cool before cleaning the hood.

Exterior surfaces

- Do not use steel wool or soap-filled scouring pads.
- Rub in direction of the grain line to avoid marring the surface.
- Always wipe dry to avoid water marks.
- KitchenAid® Professional Formula Stainless Steel Cleaner & Polish is the cleaner recommended for cleaning stainless steel surfaces on this product. To order call our Customer Service Center at 1-800-442-9991 or order on-line at www.applianceaccessories.com and ask for part number 8171420. To order from Canada, call 1-800-807-6777.
- If commercial cleaners are used, follow label directions. Do not use products that contain chlorine (bleach). Chlorine is a corrosive substance.

For routine cleaning and fingerprints, use liquid detergent soap and water. Wipe with damp cloth or sponge, then rinse with clean water and wipe dry.

Metal filters

The filters should be washed frequently. Place metal filters in dishwasher or hot detergent solution to clean.

To remove metal filters:

NOTE: Use two hands to remove filters, one to pull and turn the knob, the other to hold the filter so that it doesn't fall onto the cooktop.

1. Pull knob forward, toward the front of the hood, while turning the knob to the left (counter-clockwise) to release the locking lever.
2. Slide filter down and away from front retaining channel.

To replace metal filters:

NOTE: Use two hands to replace filters, one to pull and turn the knob, the other to hold the filter so that it doesn't fall onto the cooktop.

3. Replace metal filters by first pulling and turning the knob to the left so that the locking lever does not protrude from the filter.
4. Insert the opposite end of the filter into the retaining channel.
5. Insert knob end and turn knob to the right to lock the filter into place.
6. Repeat for remaining filters.

Charcoal Filters - For recirculating installations

The charcoal filters are not washable nor reusable.

They should be changed every 4 months in normal use or more often if needed.

The charcoal filters capture unpleasant cooking odors.

To replace charcoal filters:

1. Remove the metal grease filters (see "Metal filters" above).
2. Rotate the two metal filter clips toward the filter to release the charcoal filter. Remove old filter.
3. Reinstall metal grease filter.

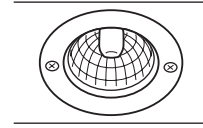
Replacing a halogen lamp

This hood uses four 12-volt, 20 watt halogen lamps.

Turn off the range hood and allow the halogen lamps to cool.

Replace bulb using a tissue to handle bulb, or wearing cotton gloves. Do not touch bulb with bare fingers.

1. Disconnect power.
2. Remove 2 screws from the circular metal trim around the lamp assembly.



3. Pull the trim with the lamp assembly attached down far enough so that the lamp can be pushed out of the socket clips.
4. Insert the new lamp into the socket clips and push the lamp and trim assembly back up into the hood.
5. Replace the screws.
6. Reconnect power.

Accessories

Replacement Charcoal Filter.....Part Number 8285507

REQUESTING ASSISTANCE OR SERVICE

If you need assistance or service in U.S.A.

Call the KitchenAid Customer Interaction Center toll-free at 1-800-253-1301. Our consultants are available to assist you.

When calling: Please know the purchase date, and the complete model and serial number of your appliance. This information will help us better respond to your request.

Our consultants provide assistance with:

- Features and specifications on our full line of appliances
- Installation information
- Use and maintenance procedures
- Accessory and repair parts sales
- Specialized customer assistance (Spanish speaking, hearing impaired, limited vision, etc.)
- Referrals to local dealers, service companies, and repair parts distributors

KitchenAid designated service technicians are trained to fulfill the product warranty and provide after-warranty service, anywhere in the United States.

To locate the designated service company in your area, you can also look in your telephone directory Yellow Pages.

If you need replacement parts

If you need to order replacement parts, we recommend that you use only factory-authorized parts. These parts will fit right and work right, because they are made to the same exacting specifications used to build every new KitchenAid appliance.

To locate factory-authorized parts in your area, call our Customer Interaction Center telephone number, your nearest authorized service center, or 1-800-442-1111.

For further assistance

If you need further assistance, you can write to KitchenAid with any questions or concerns at:

Customer Interaction Center
c/o Correspondence Dept.
2000 North M-63
Benton Harbor, MI 49022-2692

Please include a daytime phone number in your correspondence.

If you need assistance or service in Canada

For product related questions, please call the KitchenAid Canada Inc. Customer Interaction Center toll free: **1-800-461-5681**
Monday to Friday 8:00 a.m. – 6:00 p.m. (EST).
Saturday 8:30 a.m. – 4:30 p.m. (EST).

Our consultants provide assistance with:

- Features and specifications on our full line of appliances
- Referrals to local dealers

For parts, accessories and service in Canada

Call **1-800-807-6777**. KitchenAid Canada Inc. designated service technicians are trained to fulfill the product warranty and provide after-warranty service, anywhere in Canada.

For further assistance

If you need further assistance, you can write to KitchenAid Canada Inc. with any questions or concerns at:

Customer Interaction Center
KitchenAid Canada, Inc.
1901 Minnesota Court
Mississauga, Ontario L5N 3A7

Please include a daytime phone number in your correspondence.

KITCHENAID® VENTILATION WARRANTY

ONE YEAR LIMITED WARRANTY

For one year from the date of purchase, when this major appliance is operated and maintained according to instructions attached to or furnished with the product, KitchenAid or KitchenAid Canada (hereafter "KitchenAid") will pay for factory specified parts and repair labor to correct defects in materials or workmanship. Service must be provided by a KitchenAid designated service company.

ITEMS KITCHENAID WILL NOT PAY FOR

1. Service calls to correct the installation of your major appliance, to instruct you how to use your major appliance, to replace or repair house fuses or to correct house wiring or plumbing.
 2. Service calls to repair or replace appliance light bulbs, air filters or water filters. Those consumable parts are excluded from warranty coverage.
 3. Repairs when your major appliance is used for other than normal, single-family household use.
 4. Damage resulting from accident, alteration, misuse, abuse, fire, flood, acts of God, improper installation, installation not in accordance with electrical or plumbing codes, or use of products not approved by KitchenAid.
 5. Replacement parts or repair labor costs for units operated outside the United States or Canada.
 6. Pickup and delivery. This major appliance is designed to be repaired in the home.
 7. Repairs to parts or systems resulting from unauthorized modifications made to the appliance.
 8. Expenses for travel and transportation for product service in remote locations.
 9. The removal and reinstallation of your appliance if it is installed in an inaccessible location or is not installed in accordance with published installation instructions.
-

DISCLAIMER OF IMPLIED WARRANTIES; LIMITATION OF REMEDIES

CUSTOMER'S SOLE AND EXCLUSIVE REMEDY UNDER THIS LIMITED WARRANTY SHALL BE PRODUCT REPAIR AS PROVIDED HEREIN. IMPLIED WARRANTIES, INCLUDING WARRANTIES OF MERCHANTABILITY OR FITNESS FOR A PARTICULAR PURPOSE, ARE LIMITED TO ONE YEAR OR THE SHORTEST PERIOD ALLOWED BY LAW. KITCHENAID SHALL NOT BE LIABLE FOR INCIDENTAL OR CONSEQUENTIAL DAMAGES. SOME STATES AND PROVINCES DO NOT ALLOW THE EXCLUSION OR LIMITATION OF INCIDENTAL OR CONSEQUENTIAL DAMAGES, OR LIMITATIONS ON THE DURATION OF IMPLIED WARRANTIES OF MERCHANTABILITY OR FITNESS, SO THESE EXCLUSIONS OR LIMITATIONS MAY NOT APPLY TO YOU. THIS WARRANTY GIVES YOU SPECIFIC LEGAL RIGHTS AND YOU MAY ALSO HAVE OTHER RIGHTS, WHICH VARY FROM STATE TO STATE OR PROVINCE TO PROVINCE.

Outside the 50 United States and Canada, this warranty does not apply. Contact your authorized KitchenAid dealer to determine if another warranty applies.

If you need service, first see the "Troubleshooting" section of the Use & Care Guide. After checking "Troubleshooting," additional help can be found by checking the "Assistance or Service" section or by calling KitchenAid. In the U.S.A., call **1-800-422-1230**. In Canada, call **1-800-807-6777**. 10/05

Keep this book and your sales slip together for future reference. You must provide proof of purchase or installation date for in-warranty service.

Write down the following information about your appliance to better help you obtain assistance or service if you ever need it. You will need to know your complete model number and serial number. You can find this information on the model and serial number label/plate, located on your appliance.

Dealer name _____

Address _____

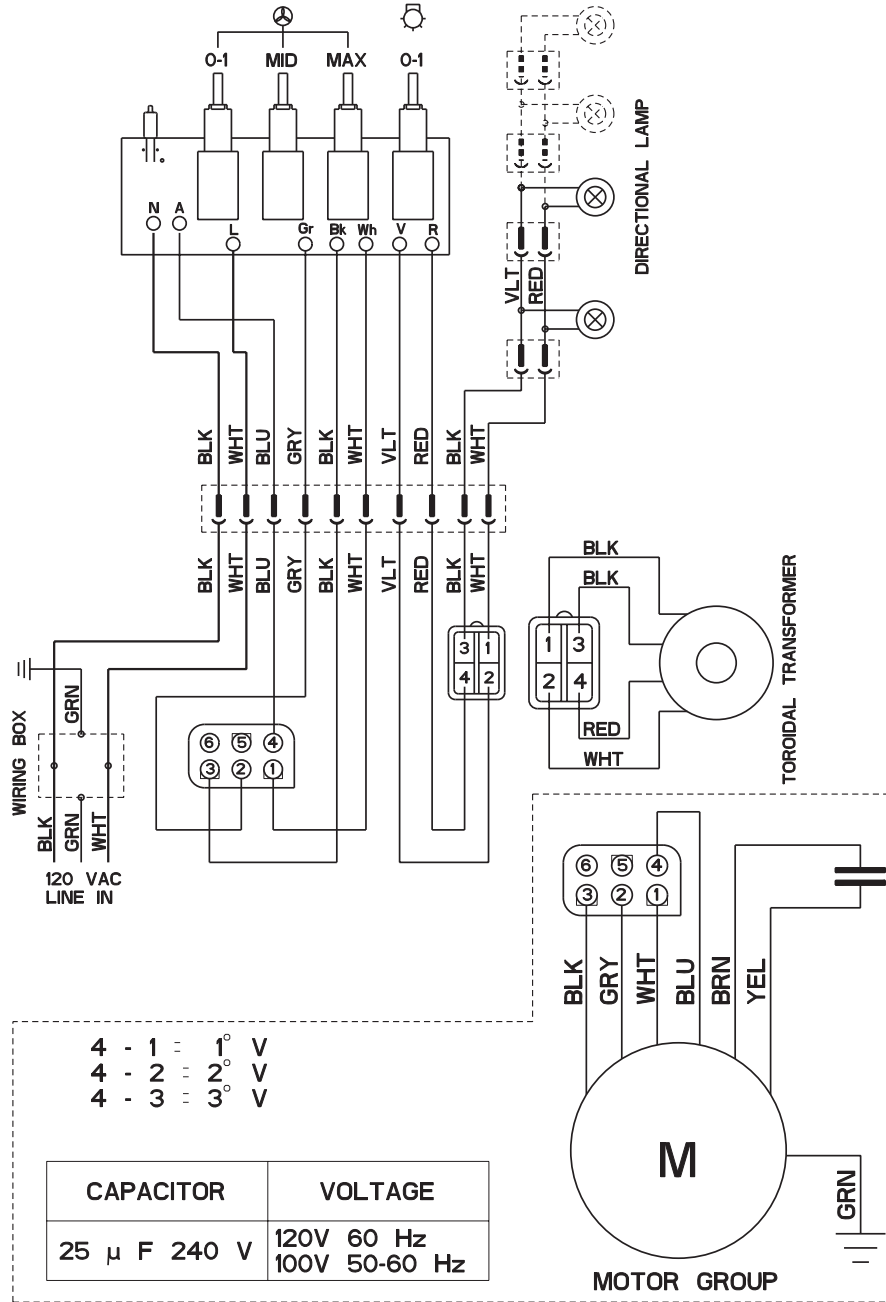
Phone number _____

Model number _____

Serial number _____

Purchase date _____

WIRING DIAGRAM



SÉCURITÉ DE LA HOTTE DE CUISINIÈRE

Votre sécurité et celle des autres est très importante.

Nous donnons de nombreux messages de sécurité importants dans ce manuel et sur votre appareil ménager. Assurez-vous de toujours lire tous les messages de sécurité et de vous y conformer.



Voici le symbole d'alerte de sécurité.

Ce symbole d'alerte de sécurité vous signale les dangers potentiels de décès et de blessures graves à vous et à d'autres.

Tous les messages de sécurité suivront le symbole d'alerte de sécurité et le mot "DANGER" ou "AVERTISSEMENT". Ces mots signifient :

 **DANGER**

Risque possible de décès ou de blessure grave si vous ne suivez pas immédiatement les instructions.

 **AVERTISSEMENT**

Risque possible de décès ou de blessure grave si vous ne suivez pas les instructions.

Tous les messages de sécurité vous diront quel est le danger potentiel et vous disent comment réduire le risque de blessure et ce qui peut se produire en cas de non-respect des instructions.

IMPORTANTES INSTRUCTIONS DE SÉCURITÉ

AVERTISSEMENT : POUR RÉDUIRE LE RISQUE D'INCENDIE, CHOC ÉLECTRIQUE OU DOMMAGES CORPORELS, RESPECTER LES INSTRUCTIONS SUIVANTES :

- Utiliser cet appareil uniquement dans les applications envisagées par le fabricant. Pour toute question, contacter le fabricant.
- Avant d'entreprendre un travail d'entretien ou de nettoyage, interrompre l'alimentation de la hotte au niveau du tableau de disjoncteurs, et verrouiller le tableau de disjoncteurs pour empêcher tout rétablissement accidentel de l'alimentation du circuit. Lorsqu'il n'est pas possible de verrouiller le tableau de disjoncteurs, placer sur le tableau de disjoncteurs une étiquette d'avertissement proéminente interdisant le rétablissement de l'alimentation.
- Tout travail d'installation ou câblage électrique doit être réalisé par une personne qualifiée, dans le respect des prescriptions de tous les codes et normes applicables, y compris les codes du bâtiment et de protection contre les incendies.
- Une source d'air de débit suffisant est nécessaire pour le fonctionnement correct de tout appareil à gaz (combustion et évacuation des gaz à combustion par la cheminée), pour qu'il n'y ait pas de reflux des gaz de combustion. Respecter les directives du fabricant de l'équipement de chauffage et les prescriptions des normes de sécurité - comme celles publiées par la National Fire Protection Association (NFPA) et l'American Society for Heating, Refrigeration and Air Conditioning Engineers (ASHRAE), et les prescriptions des autorités réglementaires locales.
- Lors d'opérations de découpage et de perçage dans un mur ou un plafond, veiller à ne pas endommager les câblages électriques ou canalisations qui peuvent s'y trouver.
- Les systèmes d'évacuation doivent toujours décharger l'air à l'extérieur.

MISE EN GARDE : Cet appareil est conçu uniquement pour la ventilation générale. Ne pas l'utiliser pour l'extraction de matières ou vapeurs dangereuses ou explosives.

MISE EN GARDE : Pour minimiser le risque d'incendie et évacuer adéquatement les gaz, veiller à acheminer l'air aspiré par un conduit jusqu'à l'extérieur - ne pas décharger l'air aspiré dans un espace vide du bâtiment comme une cavité murale, un plafond, un grenier, un vide sanitaire ou un garage.

AVERTISSEMENT : POUR RÉDUIRE LE RISQUE D'INCENDIE, UTILISER UNIQUEMENT DES CONDUITS MÉTALLIQUES.

AVERTISSEMENT : POUR MINIMISER LE RISQUE D'UN FEU DE GRAISSE SUR LA CUISINIÈRE :

- Ne jamais laisser un élément de surface fonctionner à puissance de chauffage maximale sans surveillance. Un renversement/débordement de matière grasseuse pourrait provoquer une inflammation et la génération de fumée. Utiliser une puissance de chauffage moyenne ou basse pour le chauffage d'huile.
- Veiller à toujours faire fonctionner le ventilateur de la hotte lors de la cuisson avec une puissance de chauffage élevée ou lors de la cuisson d'un mets à flamber (à savoir crêpes Suzette, cerise jubilé, steak au poivre flambé).
- Nettoyer fréquemment les ventilateurs d'extraction. Veiller à ne pas laisser la graisse s'accumuler sur les surfaces du ventilateur ou des filtres.
- Utiliser toujours un ustensile de taille appropriée. Utiliser toujours un ustensile adapté à la taille de l'élément chauffant.

AVERTISSEMENT: POUR RÉDUIRE LE RISQUE DE DOMMAGES CORPORELS APRÈS LE DÉCLENCHEMENT D'UN FEU DE GRAISSE SUR LA CUISINIÈRE, APPLIQUER LES RECOMMANDATIONS SUIVANTES :^a

- Placer sur le récipient un couvercle bien ajusté, une tôle à biscuits ou un plateau métallique **POUR ÉTOUFFER LES FLAMMES**, puis éteindre le brûleur à gaz ou électrique. **VEILLER À ÉVITER LES BRÛLURES.** Si les flammes ne s'éteignent pas immédiatement, **ÉVACUER LA PIÈCE ET APPELER LES POMPIERS.**
- **NE JAMAIS PRENDRE EN MAIN UN RÉCIPENT ENFLAMMÉ** - vous risquez de vous brûler.
- **NE PAS UTILISER D'EAU**, ni un torchon humide - ceci pourrait provoquer une explosion de vapeur brûlante.
- Utiliser un extincteur **SEULEMENT** si :
 - Il s'agit d'un extincteur de classe ABC, dont on connaît le fonctionnement.
 - Il s'agit d'un petit feu encore limité à l'endroit où il s'est déclaré.
 - Les pompiers ont été contactés.
 - Il est possible de garder le dos orienté vers une sortie pendant l'opération de lutte contre le feu.

^aRecommandations tirées des conseils de sécurité en cas d'incendie de cuisine publiés par la NFPA.

- **AVERTISSEMENT :** Pour réduire le risque d'incendie ou de choc électrique, ne pas utiliser ce ventilateur avec un quelconque dispositif de réglage de la vitesse à semi-conducteurs.

CONSERVEZ CES INSTRUCTIONS

EXIGENCES D'INSTALLATION

Outillage et pièces

Rassembler les outils et pièces nécessaires avant de commencer l'installation. Lire et suivre les instructions fournies avec les outils indiqués ici.

Outillage nécessaire :

- niveau
- perceuse avec foret de 1/4" (3 cm)
- foret à avant-trou (selon la méthode de fixation du support de cheminée)
- crayon
- pince à dénuder ou couteau utilitaire
- mètre-ruban ou règle
- pince
- pistolet de calfeutrage et composé de calfeutrage résistant à l'eau
- ruban adhésif pour conduits
- scie sauteuse ou scie à guichet
- tournevis à lame plate
- cisailles de ferblantier
- tournevis Phillips

Pièces nécessaires :

- 2 serre-câbles, 1/2" (12,5 mm) - homologation UL ou CSA
- câble d'alimentation électrique
- 1 bouche de décharge (décharge à travers le mur ou à travers le toit)
- circuit d'évacuation métallique
- 4 vis d'ancrage pour béton 1/4" x 4", à tête hexagonale - en cas de fixation sur du béton

Pièces fournies :

Retirer les pièces des emballages. Vérifier la présence de toutes les pièces.

- hotte d'extraction avec ventilateur et lampe installés
- cheminée
- gabarit pour plafond
- Instructions d'installation et Guide d'utilisation et d'entretien
- 3 filtres
- un paquet de pièces de quincaillerie (4 vis pour tablette en bois, 4 rondelles pour vis pour tablette en bois, 4 écrous pour tablette en bois, 4 bouchons en béton, 1 gabarit de montage, 1 clapet)

Exigences d'emplacement

IMPORTANT : Observer les dispositions de tous les codes et règlements en vigueur.

Installer la hotte d'extraction à distance de toute zone exposée à des courants d'air, comme fenêtres, portes et bouches de chauffage.

Respecter les dimensions indiquées pour les ouvertures à découper dans les placards. Les dimensions indiquées prennent en compte les valeurs minimales des dégagements de séparation nécessaires.

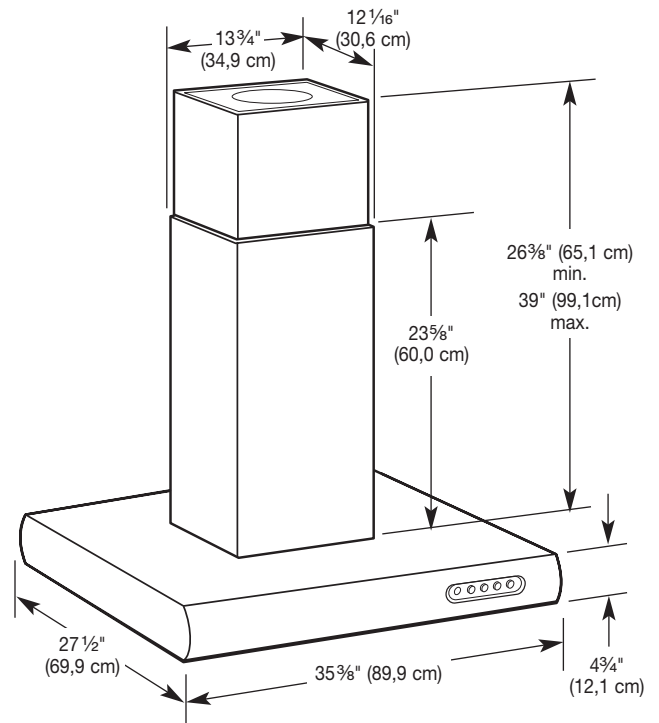
On doit disposer d'une prise de courant électrique reliée à la terre. Voir la section "Spécifications électriques".

On recommande que la hotte soit fixée sur du bois massif.

La hotte d'extraction a été configurée à l'usine pour la décharge à travers le toit ou à travers le mur. Pour une installation avec recyclage, voir "Installation avec recyclage, à la section "Installation du cache-cheminée".

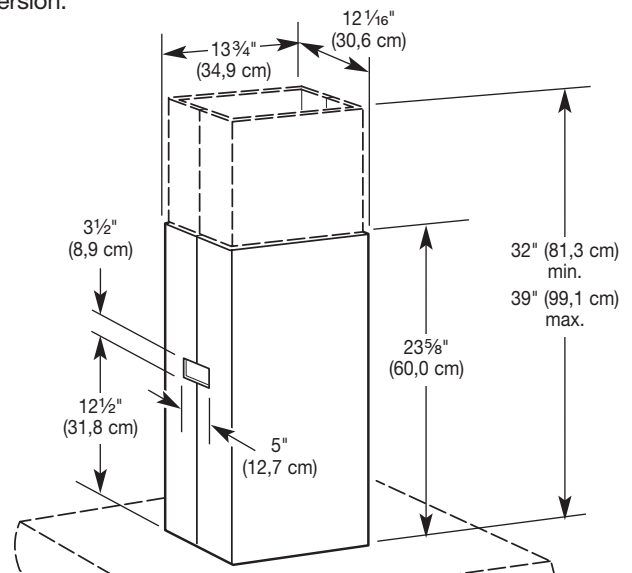
On devra assurer l'étanchéité de toutes les ouvertures (plafond et mur) découpées pour l'installation de la hotte.

Dimensions du produit

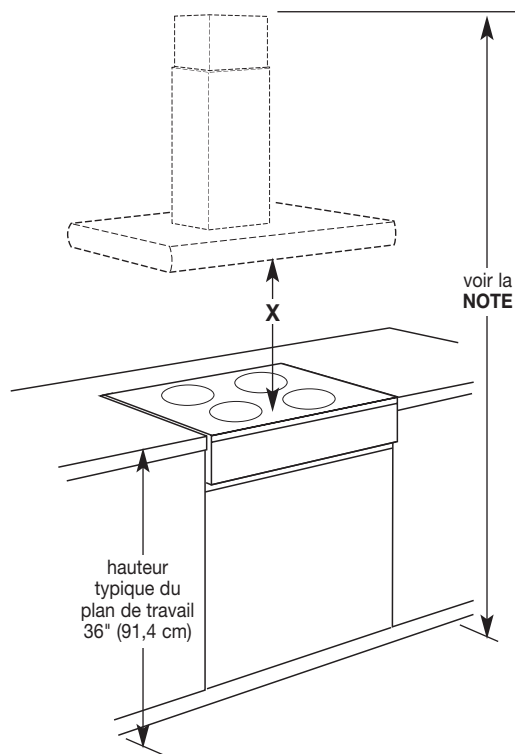


Kit de cheminée pour une installation avec recyclage - dimensions

Pour une installation avec recyclage, on doit utiliser le kit de cheminée n° 4396911 (acier inoxydable) ou n° 4396912 (métal). Ces ensembles comprennent une nouvelle section inférieure de cache-cheminée (remplaçant le cache-cheminée fourni avec la hotte), un filtre à charbon et un raccord de diversion.



Dégagements de séparation à respecter



NOTE : La cheminée de la hotte est réglable; on peut l'ajuster en fonction de la hauteur disponible sous plafond ou soffite, et selon la distance "X" entre le bas de la hotte et le plan de travail. Pour une hauteur sous plafond plus élevée, des sections d'extension de cheminée de 40" (10,2 cm) sont disponibles (kit n° 4396913 (acier inoxydable) ou kit n° 4396914 (météorite)); consulter le revendeur à ce sujet. L'extension de cheminée remplace la section de cheminée supérieure fournie avec la hotte.

IMPORTANT :

Valeur minimale de la distance "X" : 24" (61 cm)

Valeur maximale suggérée pour la distance "X" : 30" (76,2 cm)

Pour une installation avec décharge à l'extérieur, on peut ajuster la cheminée pour une hauteur sous plafond de 7' 7/8" (2,31 m) à 9' 1 3/4" (2,79 m).

Pour une installation avec recyclage, on peut ajuster la cheminée pour une hauteur sous plafond de 8' 3 3/8" (2,52 m) à 9' 5 1/4" (2,88 m).

Exigences concernant l'évacuation

- Le circuit d'évacuation de l'air doit se terminer à l'extérieur, sauf pour une installation avec recyclage.
- Ne pas terminer le circuit d'évacuation dans un espace fermé (grenier ou autre).
- Ne pas utiliser une bouche de décharge murale de 4" (10,2 cm), du type utilisé pour un appareil de buanderie.
- Utiliser uniquement un conduit métallique de 6" (15,2 cm). On recommande l'emploi de conduit rigide. Ne pas utiliser de conduit de plastique ou de métal très mince.

Pour obtenir un fonctionnement efficace et silencieux :

- Utiliser autant que possible des sections droites et minimiser le nombre de coudes.
- Ne pas utiliser plus de trois coudes à 90°.
- Veiller à ce qu'il y ait une section droite de conduit de 24" (61 cm) ou plus entre deux coudes, si on doit utiliser plus de un raccord coudé.

- Ne pas connecter ensemble deux raccords coudés.
- Assurer l'étanchéité de chaque jointure du circuit d'évacuation avec du ruban adhésif pour conduit.
- Utiliser un calfeutrant pour assurer l'étanchéité autour de la bouche de décharge à l'extérieur, entre le conduit et l'ouverture à travers le toit ou le mur.

Installation dans une région à climat froid

Il convient d'installer un clapet anti-reflux additionnel pour minimiser les reflux d'air froid, et d'installer au sein du circuit d'évacuation un matériau non métallique (isolant thermique) pour minimiser la conduction de chaleur entre l'extérieur et l'intérieur de la maison. Par rapport à l'isolant thermique, le clapet anti-reflux devrait être situé du côté froid.

L'isolant thermique doit être placé aussi près que possible de l'endroit où le circuit d'évacuation pénètre dans la partie chauffée de la maison.

Air d'appoint

Le code du bâtiment local peut exiger l'utilisation d'un système d'introduction d'air d'appoint dans le cas où la capacité d'extraction (pieds cubes d'air par minute) de la hotte est supérieure à une valeur spécifiée. La valeur spécifiée (débit d'air, en pieds cubes par minute) est variable d'une juridiction à une autre. Pour déterminer les exigences spécifiques, consulter un professionnel local des installations de chauffage et climatisation.

Méthodes d'évacuation

Cette hotte d'extraction a été configurée à l'usine pour la décharge à travers le toit ou le mur.

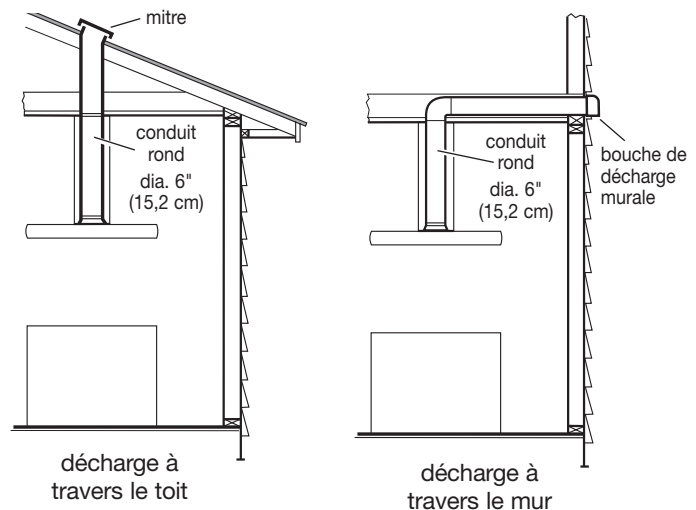
Pour l'installation, un circuit d'évacuation constitué de conduits ronds de diamètre 6" (15,2 cm) (non fourni) est nécessaire. L'orifice de sortie de la hotte est circulaire (diam. 6" - 15,2 cm).

NOTE : On déconseille l'emploi de conduit flexible. Un conduit flexible peut susciter une rétro-pression et des turbulences de l'air, ce qui réduit considérablement la performance.

La décharge de l'air aspiré peut être effectuée à travers le mur ou le toit. Pour la décharge à travers le mur, on doit utiliser un raccord coudé (90°).

La longueur effective d'un circuit d'évacuation en conduit rond de 6" (15,2 cm) ne doit pas dépasser 35 pi (10,7 m).



Pour une installation avec recyclage, voir "Installation avec recyclage", à la section "Installation du circuit d'évacuation".

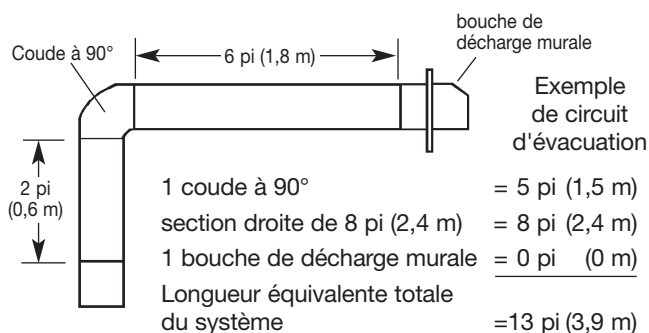


Calcul de la longueur effective du circuit d'évacuation

Pour calculer la longueur effective du circuit d'évacuation nécessaire, ajouter les longueurs équivalentes (pieds/mètres) de tous les composants utilisés dans le système.

La longueur équivalente du circuit ne doit pas dépasser 35 pieds (10,7 mètres).

Composant du circuit	Conduit rond dia. 6" (15,2 cm)
Coude à 45°	2.5 pi (0,8 m) 
Coude à 90°	5.0 pi (1,5 m) 



NOTE : On déconseille l'emploi d'un conduit flexible. Un conduit flexible peut susciter une rétro-pression et des turbulences de l'air, ce qui réduit considérablement la performance.

Spécifications électriques

⚠ AVERTISSEMENT



Risque de choc électrique

Déconnecter la source de courant électrique avant l'entretien.

Replacer pièces et panneaux avant de faire la remise en marche.

Le non-respect de ces instructions peut causer un décès ou un choc électrique.

IMPORTANT : La hotte doit être correctement reliée à la terre en conformité avec les codes et règlements locaux en vigueur, ou en l'absence d'un tel code, conformément aux prescriptions de la plus récente édition du National Electrical Code, ANSI/NFPA 70, ou du Code canadien des installations électriques, CSA C22.1.

Si les codes en vigueur le permettent et si on utilise un conducteur distinct de liaison à la terre, il est recommandé qu'un électricien qualifié vérifie la qualité de la liaison à la terre.

Pour obtenir un exemplaire des codes mentionnés ci-dessus, contacter :

National Fire Protection Association
One Batterymarch Park, Quincy, MA 02269

CSA International
8501 East Pleasant Valley Road
Cleveland, Ohio 44131-5575

- L'appareil doit être alimenté par un circuit de 120 V, 60 Hz, CA seulement, 15 ampères, protégé par fusible. On recommande également d'utiliser un fusible ou un disjoncteur temporisé. Il est recommandé d'alimenter la hotte par un circuit distinct qui n'alimente que cet appareil.
- Ne pas utiliser une tuyauterie de gaz pour le raccordement à la terre.
- En cas de doute quant à la qualité de la liaison à la terre de la hotte, consulter un électricien qualifié.
- Ne pas installer un fusible dans le conducteur neutre ou dans le conducteur de liaison à la terre.
- La hotte doit être raccordée au réseau électrique uniquement avec des conducteurs de cuivre.
- La hotte doit être raccordée directement au coupe-circuit avec fusible ou au disjoncteur par l'intermédiaire d'un câble à conducteurs de cuivre, à blindage métallique flexible ou à gaine non-métallique.
- Un serre-câble (homologation UL ou CSA) doit être installé à chaque extrémité du câble d'alimentation. Le calibre des conducteurs (cuivre seulement) et les connexions doivent être compatibles avec la demande de courant de l'appareil spécifiée sur la plaque signalétique.
- La taille des conducteurs doit satisfaire aux prescriptions de la plus récente édition du National Electrical Code, ANSI/NFPA 70, ou du Code canadien des installations électriques, normes CSA C22.1-94 et C22.2 n° 0-M91, et aux prescriptions de tous les codes et règlements locaux en vigueur.

INSTRUCTIONS D'INSTALLATION

Installation du support de cheminée

Du fait du poids et de la taille de cette hotte d'extraction pour îlot, il faut que le support de cheminée soit solidement fixé au plafond.

- Pour un plafond en plâtre ou en panneaux de gypse, le support de cheminée doit être fixé aux solives; si ceci n'est pas possible, on doit construire une structure de support appropriée derrière le plafond en plâtre ou panneaux de gypse.
- On ne doit couper un poteau de colombage ou une solive que si c'est absolument nécessaire. S'il est nécessaire de couper un poteau ou une solive, on devra construire une structure de support appropriée.
- Avant d'exécuter les découpages, vérifier la disponibilité d'un espace de passage suffisant dans le plafond ou le mur pour le conduit d'évacuation.

AVERTISSEMENT

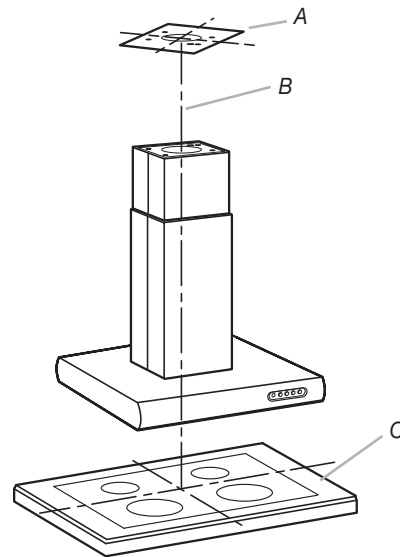
Risque du poids excessif

Utiliser deux ou plus de personnes pour déplacer et installer la hotte de la cuisinière.

Le non-respect de cette instruction peut causer une blessure au dos ou d'autre blessure.

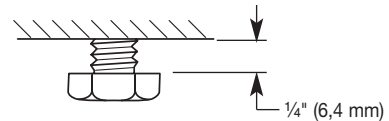
1. Sélectionner une surface plane pour l'assemblage de la hotte. Lors de l'assemblage, recouvrir cette surface avec un matériau de protection - couverture ou feuille de carton.
NOTE : Ne pas déjà enlever la feuille de plastique destinée à recouvrir le cache-cheminée durant l'installation.
2. Faire intervenir deux personnes ou plus pour placer sur cette surface tous les composants et accessoires de la hotte.
La cheminée de la hotte est expédiée assemblée; on doit la démonter pour l'installation.
3. Séparer les parties du cache-cheminée.
4. Séparer la section inférieure du cache-cheminée du support de cheminée - enlever les deux vis Phillips en bas/à l'extérieur du cache-cheminée.
5. Séparer la section supérieure du cache-cheminée du support de cheminée - enlever les deux vis Phillips au sommet/à l'extérieur du cache-cheminée.
6. Marquer l'axe central de la hotte et de la table de cuisson sur le plafond, en veillant à ce que la hotte soit centrée au-dessus de la surface de cuisson.

7. Avec du ruban adhésif, fixer le gabarit (fourni dans l'emballage du support de cheminée) au plafond, et marquer la position des trous de montage, du trou de passage du câble électrique et du conduit d'évacuation (le cas échéant).



A. Gabarit collé au plafond
B. Axe central
C. Table de cuisson

8. Selon la méthode de fixation employée, percer les avant-trous appropriés à travers les trous de montage du support de cheminée.
9. Utiliser un foret de 1 1/4" ou 3,0 cm pour percer le trou de passage du câble d'alimentation électrique.
10. Pour une configuration avec décharge de l'air à l'extérieur, découper dans le plafond le trou de passage nécessaire pour le conduit d'évacuation, et installer le circuit d'évacuation. Voir la section "Exigences concernant l'évacuation".
11. Pour une configuration avec décharge de l'air à l'extérieur, placer le clapet anti-reflux rond dans l'ouverture de sortie du carter du ventilateur.
12. Placer dans les 4 avant-trous déjà percés les 4 vis (fournies dans le sachet de pièces) de fixation au plafond du support de cheminée. Laisser les têtes de vis à environ 1/4" (6,4 mm) du plafond.

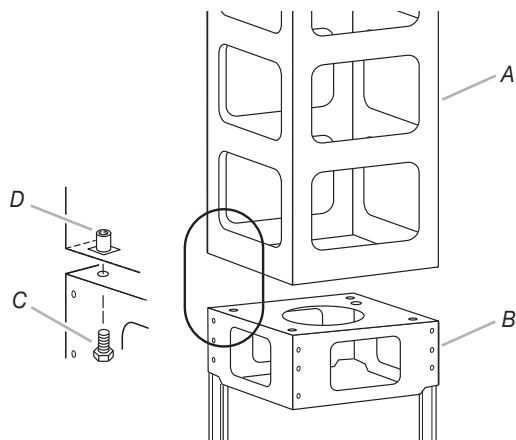


13. Si le kit d'extension n'est pas installé, consulter la section "Achever l'installation du support de cheminée".

Installation de l'extension de cheminée (option)

1. Enlever les parties de cache-cheminée de l'extension (installation à l'usine).
2. Positionner l'extension de cheminée sur le support de cheminée - veiller à l'alignement des bords externes et des trous de passage du câble électrique.

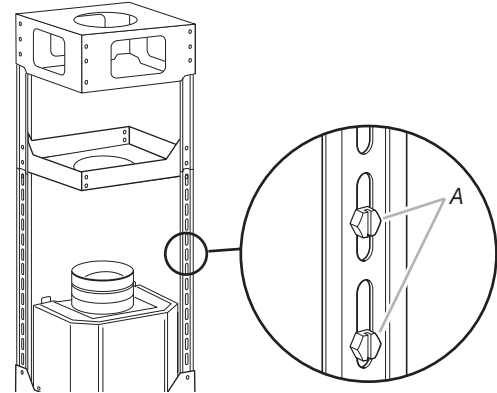
- Fixer l'extension sur le support avec les 4 vis fournies avec l'extension de cheminée. Bien serrer les vis.



A. Armature de l'extension de cheminée
 B. Support de cheminée
 C. Vis
 D. Écrou captif

- Ôter les quatre vis et ajuster la longueur du support de cheminée selon le besoin.

NOTE : C'est la seule section qui peut être ajustée.



A. Vis

- Réinstaller et bien serrer les quatre vis.

Achever l'installation du support de cheminée

- Faire passer le câblage à travers le trou de 1¼" (3 cm) dans le plafond - respecter les prescriptions du Code national de l'électricité ou de la norme CSA en vigueur, ou des codes et règlements locaux en vigueur. Il faut que la longueur des conducteurs soit suffisante pour qu'il soit possible de réaliser la liaison entre le tableau de distribution et la hotte, et les connexions dans la boîte de connexion de la hotte.
- Utiliser un calfeutrant pour assurer l'étanchéité au niveau de chaque ouverture.
NOTE : Ne pas reconnecter la source de courant électrique avant d'avoir complètement terminé l'installation.
- Enlever le couvercle du boîtier de connexion, sur la section supérieure du support de cheminée.
- Installer un serre-câble (homologation UL ou CSA) sur le boîtier de connexion; veiller à ce qu'il soit possible de serrer les vis après que le support de cheminée aura été fixé au plafond.
- Soulever le support de cheminée jusqu'à sa position de service finale; faire passer le câble d'alimentation électrique à travers le serre-câble.
- Positionner le support de cheminée : placer l'extrémité large des trous d'accrochage au niveau des vis de fixation au plafond; pousser ensuite le support de cheminée pour engager la partie étroite des trous de fixation sur les vis. Bien serrer les vis.
IMPORTANT : Le support de cheminée doit être solidement fixé au plafond.
- Déterminer la longueur nécessaire du support de cheminée.

Raccordement électrique

⚠ AVERTISSEMENT



Risque de choc électrique

Déconnecter la source de courant électrique avant l'entretien.

Replacer pièces et panneaux avant de faire la remise en marche.

Le non-respect de ces instructions peut causer un décès ou un choc électrique.

- Déconnecter la source de courant électrique.
- Connecter les conducteurs noirs ensemble - utiliser un connecteur de fils à vis.
- Connecter les conducteurs blancs ensemble - utiliser un connecteur de fils à vis.

⚠ AVERTISSEMENT



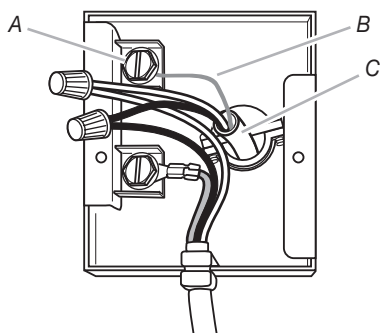
Risque de choc électrique

Relier le ventilateur à la terre.

Brancher le fil relié à la terre à la vis verte reliée la terre dans la boîte de la borne.

Le non-respect de cette instruction peut causer un décès ou un choc électrique.

4. Connecter le conducteur de liaison à la terre à la vis verte de liaison à la terre dans la boîte de connexion.



A. Vis de liaison à la terre
B. Conducteur de liaison à la terre
C. Câble d'alimentation électrique

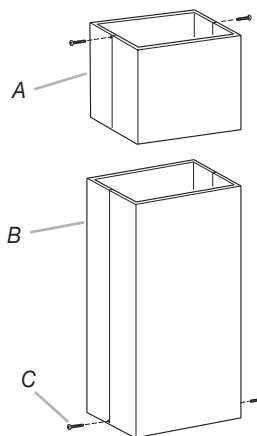
5. Bien serrer le serre-câble.
6. Réinstaller le couvercle du boîtier de connexion. Bien serrer la vis.

Option de l'installation du cache-cheminée

Installation avec décharge à l'extérieur

1. Raccorder le conduit d'évacuation sur la section du clapet anti-reflux. Assurer l'étanchéité des jointures avec du ruban adhésif pour conduits.
2. Ôter la feuille de plastique de protection des sections du cache-cheminée.

3. Enfiler la section supérieure du cache-cheminée sur le support de cheminée; fixer au sommet du support avec deux vis fournies.

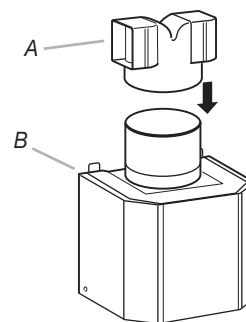


A. Cache-cheminée - section supérieure
B. Cache-cheminée - section inférieure
C. Vis

4. Faire glisser la partie inférieure du cache-cheminée sur le support de cheminée et la partie supérieure du cache-cheminée. Fixer sur le bas du support avec deux vis fournies.

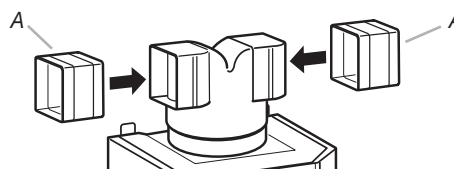
Option de l'installation avec recyclage, kit nécessaire

1. Ôter la feuille de plastique de protection des sections du cache-cheminée.
2. Enfiler la section supérieure du cache-cheminée sur le support de cheminée; fixer au sommet du support avec deux vis fournies.
3. Placer le raccord de diversion (fourni dans le kit) sur l'orifice de sortie du carter du moteur du ventilateur; enfoncer pour réaliser une bonne connexion. Veiller à orienter les sorties du raccord de diversion parallèlement aux côtés du carter du ventilateur - réaliser ainsi l'alignement entre les sorties du raccord de diversion et les ouvertures du cache-cheminée dans la partie inférieure de la cheminée.



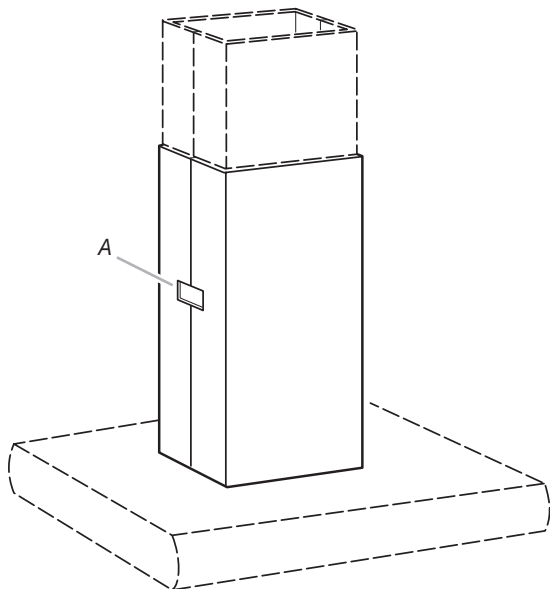
A. Raccord de diversion
B. Moteur du ventilateur

4. Installer les deux pièces d'extension sur le raccord de diversion - pousser jusqu'à la butée.



A. Pièces d'extension

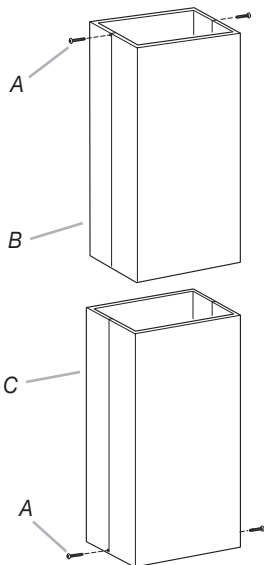
- Ne pas utiliser la section inférieure de cache-cheminée fournie avec la hotte; utiliser le cache-cheminée fourni avec le kit de cheminée pour recyclage (achat séparé).
- Enfiler la section inférieure de cache-cheminée (pour recyclage) par-dessus le support de cheminée et la section supérieure du cache-cheminée. Veiller à ce que les extensions connectées sur le raccord de diversion soient alignées avec les ouvertures du cache-cheminée. Fixer le cache-cheminée avec les deux vis fournies.
- Emboîter les grilles en place.



A. Emplacement de la grille d'évacuation

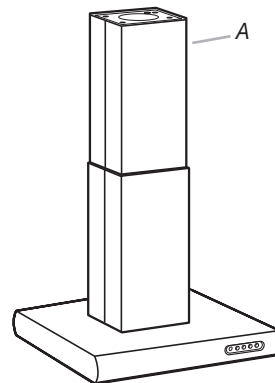
Installation du kit d'extension de cheminée (option)

- Enlever la feuille de plastique de protection des sections du cache-cheminée.
- Jeter la section supérieure du cache-cheminée fournie avec la hotte.
- Enfiler le cache-cheminée fourni avec le kit d'extension sur la section inférieure du support de cheminée et de l'armature d'extension et le fixer au sommet de l'armature d'extension en utilisant les deux vis fournies.



A. Vis
B. Extension du cache-cheminée – section supérieure
C. Cache-cheminée – section inférieure

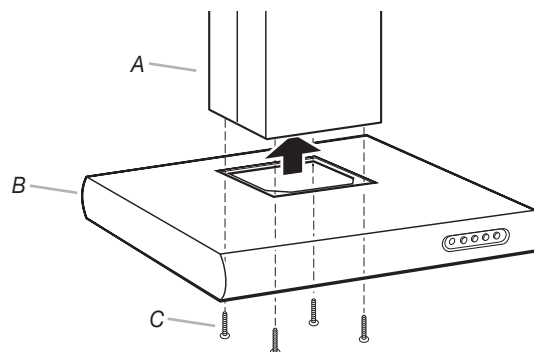
- Enfiler la section inférieure du cache-cheminée par-dessus le support de cheminée et l'extension du cache-cheminée et la fixer en bas du support en utilisant les deux vis fournies.



A. Extension de cheminée assemblée et installée sur la hotte, avec cache-cheminée fixé

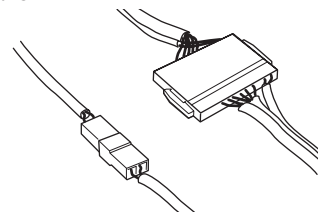
Installation de la hotte de cuisinière

- Soulever la hotte pour la placer contre le support de cheminée; fixer la hotte sur le support avec quatre vis fournies. Bien serrer les vis.



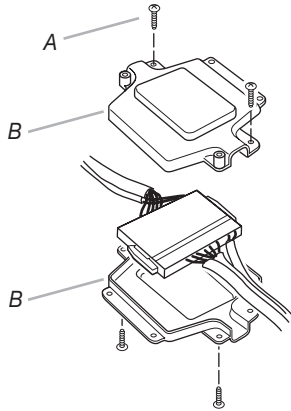
A. Support de cheminée
B. Hotte
C. Vis

- Par le dessous de la hotte, brancher le connecteur du câblage - voir l'illustration.



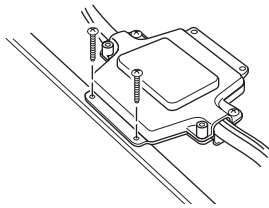
- Insérer chaque connecteur du câblage dans une moitié de boîtier de protection en plastique noir.

4. Pour chaque boîtier de protection de connecteur, placer la moitié supérieure sur la moitié inférieure, et visser les deux moitiés ensemble avec les quatre vis fournies.



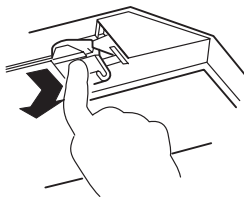
A. Vis
B. Moitiés de boîtier de protection de connecteur

5. Utiliser les deux vis longues fournies avec chaque boîtier de protection pour fixer le boîtier de protection assemblé sur le rebord métallique.

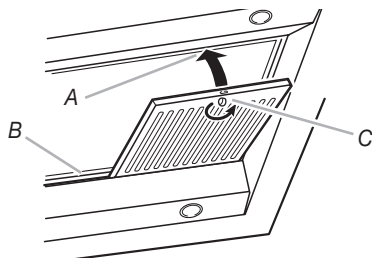


Achever l'installation

1. Uniquement pour une installation avec recyclage, installer le filtre à charbon (fourni avec le kit de cheminée pour recyclage) derrière le filtre à graisse central - insérer et immobiliser le filtre en place.



2. Installer les filtres à graisse - utiliser les deux mains; tirer d'abord et faire tourner le bouton vers la gauche pour que la tige de verrouillage ne dépasse pas du filtre.
3. Insérer l'extrémité opposée du filtre dans la rainure de retenue.
4. Insérer l'extrémité où se trouve le bouton, et faire tourner le bouton vers la droite pour caler le filtre en place.

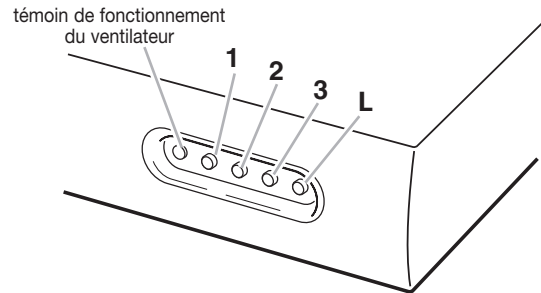


A. Fente de la tige de verrouillage
B. Rainure de retenue
C. Bouton

5. Répéter ces opérations pour les autres filtres.
6. Reconnecter la source de courant électrique.

Contrôle du fonctionnement

1. Mettre l'appareil sous tension pour vérifier le bon fonctionnement de la hotte.



2. Appuyer sur le bouton de droite "L" pour commander l'allumage des lampes; appuyer de nouveau sur ce bouton pour commander l'extinction.
3. Appuyer sur le bouton de gauche "1" pour commander la mise en marche du ventilateur.

NOTE : Quelle que soit la vitesse sélectionnée pour le ventilateur, il faut que ce bouton soit enfoncé pour que le ventilateur fonctionne. Le témoin de fonctionnement du ventilateur s'allume alors, et le ventilateur fonctionne à basse vitesse.

4. Appuyer sur le bouton "2" pour sélectionner la vitesse moyenne.
5. Appuyer sur le bouton "3" pour sélectionner la haute vitesse.
6. Appuyer sur le bouton "1" pour commander l'arrêt du ventilateur.

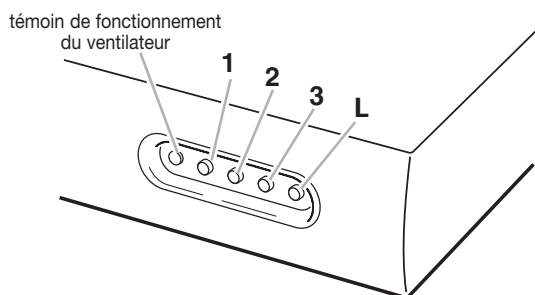
UTILISATION DE LA HOTTE DE CUISINIÈRE

Fonctionnement

La hotte est conçue pour extraire fumée, vapeurs de cuisson et odeurs au-dessus de la table de cuisson. Pour obtenir les meilleurs résultats, mettre le ventilateur de la hotte en marche avant d'entreprendre une cuisson, et laisser le ventilateur fonctionner pendant plusieurs minutes après l'achèvement d'une cuisson pour pouvoir évacuer de la cuisine toute trace d'odeur de cuisson, vapeur ou fumée.

Tableau de commande de la hotte

Les commandes de la hotte sont situées sur la droite du panneau de façade de la hotte.



Commutateur d'éclairage

1. Appuyer sur le bouton de droite "L" pour commander l'allumage des lampes.
2. Appuyer de nouveau sur ce bouton pour commander l'extinction.

Utilisation du ventilateur

1. Appuyer sur le bouton de gauche "1" pour commander la mise en marche du ventilateur.

NOTE : Quelle que soit la vitesse sélectionnée pour le ventilateur, il faut que ce bouton soit enfoncé pour que le ventilateur fonctionne. Le témoin de fonctionnement du ventilateur s'illumine alors, et le ventilateur fonctionne à basse vitesse.

2. Appuyer sur le bouton "2" pour sélectionner la vitesse moyenne.
3. Appuyer sur le bouton "3" pour sélectionner la haute vitesse.
4. Appuyer sur le bouton "1" pour commander l'arrêt du ventilateur.

ENTRETIEN DE LA HOTTE DE CUISINIÈRE

Nettoyage et entretien

Avant toute opération de nettoyage de la hotte, vérifier que les lampes ont refroidi.

Surfaces externes

- Ne pas utiliser de tampon de laine d'acier ou un tampon de récurage savonneux.
- Frotter dans la direction des lignes du grain pour ne pas détériorer la surface.
- Sécher par essuyage pour éviter de laisser des marques d'eau.
- Pour le nettoyage des surfaces d'acier inoxydable de ce produit, on recommande l'emploi du produit de nettoyage et poli pour acier inoxydable KitchenAid® Professional Formula. On peut commander ce produit auprès du Centre de service à la clientèle au 1-800-442-9991 ou en ligne à www.applianceaccessories.com; commander la pièce n° 8171420. Pour commander au Canada, téléphoner au 1-800-807-6777.
- Dans le cas de l'utilisation d'un produit de nettoyage commercial, appliquer les instructions fournies avec le produit. Ne pas utiliser un produit qui pourrait contenir du chlore (agent corrosif).

Pour le nettoyage de routine et l'élimination des marques de doigt, utiliser de l'eau et un savon détergent liquide. Essuyer avec une éponge ou un chiffon humide, puis rincer avec de l'eau propre, et sécher par essuyage.

Filtres métalliques

Il convient de nettoyer fréquemment les filtres. Nettoyer les filtres au lave-vaisselle, ou avec une solution de détergent chaude.

Dépose des filtres métalliques :

NOTE : Utiliser les deux mains pour déposer les filtres; avec une main, tirer et faire tourner le bouton; avec l'autre main, tenir le filtre pour qu'il ne tombe pas sur la table de cuisson.

1. Tirer le bouton vers l'avant de la hotte tout en faisant tourner le bouton vers la gauche (sens anti-horaire) pour libérer la tige de blocage.
2. Faire glisser le filtre vers le bas en le faisant sortir de la rainure de retenue avant.

Réinstallation des filtres métalliques :

NOTE : Utiliser les deux mains pour réinstaller les filtres; avec une main, tirer et faire tourner le bouton; avec l'autre main, maintenir le filtre pour qu'il ne tombe pas sur la table de cuisson.

3. Réinstallation des filtres à graisse - tirer d'abord et faire tourner le bouton vers la gauche pour que la tige de verrouillage ne dépasse pas du filtre.
4. Insérer l'extrémité opposée du filtre dans la rainure de retenue.
5. Insérer l'extrémité où se trouve le bouton, et faire tourner le bouton vers la droite pour caler le filtre en place.
6. Répéter ces opérations pour les autres filtres.

Filtres à charbon - Installation sans décharge à l'extérieur (recyclage)

Les filtres à charbon ne sont pas lavables ou réutilisables.

On doit changer les filtres à charbon à intervalle de quatre mois (utilisation normale); ou plus fréquemment si nécessaire.

Les filtres à charbon retiennent les composés responsables des odeurs de cuisson.

Remplacement des filtres à charbon :

1. Enlever les filtres à graisse métalliques (voir ci-dessus "Filtres métalliques").
2. Faire tourner les deux agrafes métalliques vers le filtre pour libérer le filtre à charbon. Enlever le vieux filtre.
3. Réinstaller le filtre à graisse métallique.

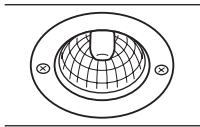
Remplacement d'une lampe à halogène

L'éclairage sous la hotte est assuré par quatre lampes à halogène (12 V/20 W).

Éteindre la hotte de cuisinière et laisser les lampes à halogène refroidir.

Remplacer l'ampoule en utilisant un chiffon ou en portant des gants en coton. Ne pas manipuler l'ampoule à mains nues.

1. Déconnecter la source de courant électrique.
2. Ôter les deux vis de fixation de la garniture circulaire autour de la lampe.



3. Tirer vers le bas la garniture avec la lampe encore attachée, suffisamment pour qu'il soit possible de dégager la lampe des agrafes de la douille.
4. Insérer une lampe neuve et remettre en place dans la hotte la lampe et sa garniture.
5. Réinstaller les vis de fixation.
6. Reconnecter la source de courant électrique.

Accessoires

Filtre à charbon de rechange.....Pièce n° 8285507

DEMANDE D'ASSISTANCE OU DE SERVICE

Si vous avez besoin d'assistance ou de service aux États-Unis

Téléphoner au Centre d'interaction avec la clientèle KitchenAid sans frais au 1-800-253-1301. Nos consultants sont disponibles pour vous aider.

Lors de votre appel : Veuillez connaître la date d'achat et les numéros de modèle et de série au complet de votre appareil. Ces renseignements nous aideront à mieux répondre à votre demande.

Nos consultants fournissent de l'assistance pour :

- Caractéristiques et spécifications de notre gamme complète d'appareils ménagers
- Renseignements d'installation
- Procédés d'utilisation et d'entretien
- Vente d'accessoires et de pièces de rechange
- Assistance spécialisée au client (langue espagnole, malentendants, malvoyants, etc.)
- Les références aux concessionnaires, compagnies de service de réparation et distributeurs de pièces de rechange locaux

Les techniciens de service désignés par KitchenAid sont formés pour remplir la garantie des produits et fournir un service après garantie partout aux États-Unis.

Pour localiser la compagnie de service désignée dans votre région, vous pouvez également consulter les Pages jaunes.

Si vous avez besoin de pièces de rechange

Si vous avez besoin de commander des pièces de rechange, nous vous recommandons d'employer uniquement des pièces d'origine. Ces pièces conviendront et fonctionneront bien parce qu'elles sont fabriquées avec la même précision utilisée dans la fabrication de chaque nouvel appareil KitchenAid.

Pour localiser des pièces de rechange d'origine dans votre région, téléphoner au Centre d'interaction avec la clientèle, au centre de service désigné le plus proche, ou appeler le 1-800-442-1111.

Pour plus d'assistance

Si vous avez besoin de plus d'assistance, vous pouvez écrire à KitchenAid en soumettant toute question ou problème à :

Customer Interaction Center
c/o Correspondence Dept.
2000 North M-63
Benton Harbor, MI 49022-2692

Dans votre correspondance, veuillez indiquer un numéro de téléphone où l'on peut vous joindre dans la journée.

Si vous avez besoin d'assistance ou de service au Canada

Pour des questions relatives aux produits, veuillez appeler sans frais le Centre d'interaction avec la clientèle de KitchenAid Canada Inc. au **1-800-461-5681**. Du lundi au vendredi de 8 h 00 à 18 h 00 (HNE). Le samedi de 8 h 30 à 16 h 30 (HNE).

Nos consultants fournissent de l'assistance pour :

- Caractéristiques et spécifications de notre gamme complète d'appareils ménagers
- Références aux concessionnaires locaux

Pour pièces, accessoires et service au Canada

Téléphoner au **1-800-807-6777**. Les techniciens de service désignés par KitchenAid Canada Inc. sont formés pour remplir la garantie des produits et fournir un service après garantie partout au Canada.

Pour plus d'assistance

Si vous avez besoin de plus d'assistance, vous pouvez écrire à KitchenAid Canada Inc. en soumettant toute question ou problème au :

Centre d'interaction avec la clientèle
KitchenAid Canada, Inc.
1901 Minnesota Court
Mississauga, Ontario L5N 3A7

Dans votre correspondance, veuillez indiquer un numéro de téléphone où l'on peut vous joindre dans la journée.

GARANTIE DU SYSTÈME DE VENTILATION KITCHENAID®

GARANTIE LIMITÉE DE UN AN

Pendant un an à compter de la date d'achat, lorsque ce gros appareil ménager est utilisé et entretenu conformément aux instructions jointes à ou fournies avec le produit, KitchenAid ou KitchenAid Canada (ci-après désignées "KitchenAid") paiera pour les pièces spécifiées par l'usine et la main-d'œuvre pour corriger les vices de matériaux ou de fabrication. Le service doit être fourni par une compagnie de service désignée par KitchenAid.

KITCHENAID NE PRENDRA PAS EN CHARGE

1. Les visites de service pour rectifier l'installation du gros appareil ménager, montrer à l'utilisateur comment utiliser l'appareil, remplacer ou réparer des fusibles ou rectifier le câblage ou la plomberie du domicile.
2. Les visites de service pour réparer ou remplacer les ampoules électriques de l'appareil, les filtres à air ou les filtres à eau. Ces pièces consommables ne sont pas couvertes par la garantie.
3. Les réparations lorsque le gros appareil ménager est utilisé à des fins autres que l'usage unifamilial normal.
4. Les dommages imputables à : accident, modification, usage impropre ou abusif, incendie, inondation, actes de Dieu, installation fautive ou installation non conforme aux codes d'électricité ou de plomberie, ou l'utilisation de produits non approuvés par KitchenAid.
5. Le coût des pièces de rechange et de la main-d'œuvre pour les appareils utilisés hors des États-Unis ou du Canada.
6. Le ramassage et la livraison. Ce gros appareil ménager est conçu pour être réparé à domicile.
7. Les réparations aux pièces ou systèmes résultant d'une modification non autorisée faite à l'appareil.
8. Les frais de voyage ou de transport pour le service d'un produit dans les régions éloignées.
9. La dépose et la réinstallation de votre appareil si celui-ci est installé dans un endroit inaccessible ou n'est pas installé conformément aux instructions d'installation fournies.

CLAUSE D'EXONÉRATION DE RESPONSABILITÉ AU TITRE DES GARANTIES IMPLICITES; LIMITATION DES RECOURS

LE SEUL ET EXCLUSIF RECOURS DU CLIENT DANS LE CADRE DE LA PRÉSENTE GARANTIE LIMITÉE CONSISTE EN LA RÉPARATION PRÉVUE CI-DESSUS. LES GARANTIES IMPLICITES, Y COMPRIS LES GARANTIES APPLICABLES DE QUALITÉ MARCHANDE ET D'APTITUDE À UN USAGE PARTICULIER, SONT LIMITÉES À UN AN OU À LA PLUS COURTE PÉRIODE AUTORISÉE PAR LA LOI. KITCHENAID N'ASSUME AUCUNE RESPONSABILITÉ POUR LES DOMMAGES FORTUITS OU INDIRECTS, CERTAINES JURIDICTIONS NE PERMETTENT PAS L'EXCLUSION OU LA LIMITATION DES DOMMAGES FORTUITS OU INDIRECTS, OU LES LIMITATIONS DE LA DURÉE DES GARANTIES IMPLICITES DE QUALITÉ MARCHANDE OU D'APTITUDE À UN USAGE PARTICULIER, DE SORTE QUE CES EXCLUSIONS OU LIMITATIONS PEUVENT NE PAS S'APPLIQUER DANS VOTRE CAS. CETTE GARANTIE VOUS CONFÈRE DES DROITS JURIDIQUES SPÉCIFIQUES ET VOUS POUVEZ ÉGALEMENT JOUIR D'AUTRES DROITS QUI PEUVENT VARIER D'UNE JURIDICTION À UNE AUTRE.

À l'extérieur du Canada et des 50 États des États-Unis, cette garantie ne s'applique pas. Contacter votre marchand KitchenAid autorisé pour déterminer si une autre garantie s'applique.

Si vous avez besoin de service, voir d'abord la section "Dépannage" du Guide d'utilisation et d'entretien. Après avoir vérifié la section "Dépannage", de l'aide supplémentaire peut être trouvée en vérifiant la section "Assistance ou service" ou en appelant KitchenAid. Aux É.-U., composer le **1-800-422-1230**. Au Canada, composer le **1-800-807-6777**. 10/05

Conservez ce manuel et votre reçu de vente ensemble pour référence ultérieure. Pour le service sous garantie, vous devez présenter un document prouvant la date d'achat ou d'installation.

Inscrivez les renseignements suivants au sujet de votre appareil ménager pour mieux vous aider à obtenir assistance ou service en cas de besoin. Vous devrez connaître le numéro de modèle et le numéro de série au complet. Vous pouvez trouver cette information sur la plaque signalétique située sur votre appareil.

Nom du marchand _____

Adresse _____

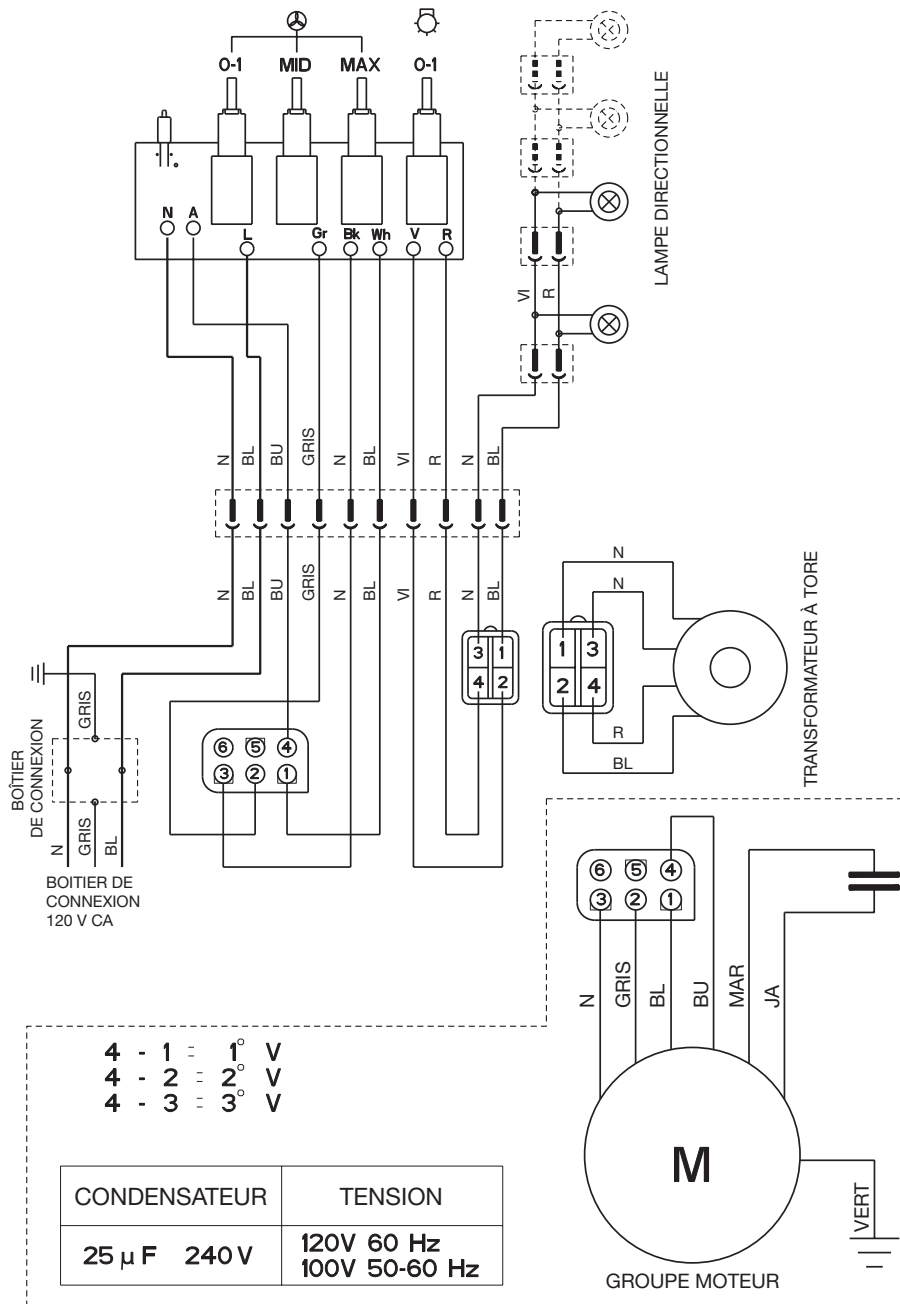
Numéro de téléphone _____

Numéro de modèle _____

Numéro de série _____

Date d'achat _____

SCHÉMA DE CÂBLAGE



NOTES

9763382

© 2005, KitchenAid

® Registered trademark/™ trademark of KitchenAid, U.S.A., KitchenAid Canada licensee in Canada

Printed in Italy
Imprimé en Italie

10/2005

Free Manuals Download Website

<http://myh66.com>

<http://usermanuals.us>

<http://www.somanuals.com>

<http://www.4manuals.cc>

<http://www.manual-lib.com>

<http://www.404manual.com>

<http://www.luxmanual.com>

<http://aubethermostatmanual.com>

Golf course search by state

<http://golfingnear.com>

Email search by domain

<http://emailbydomain.com>

Auto manuals search

<http://auto.somanuals.com>

TV manuals search

<http://tv.somanuals.com>