

KitchenAid® 30" and 36" Traditional Series Vented and Non-Vented Range Hoods

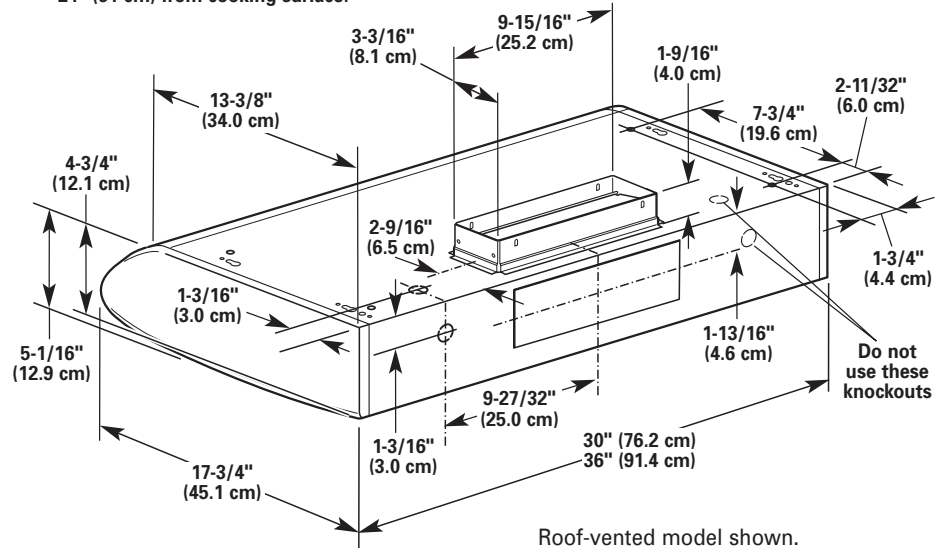
PRODUCT MODEL NUMBERS

KHTU160K
KHTU100K

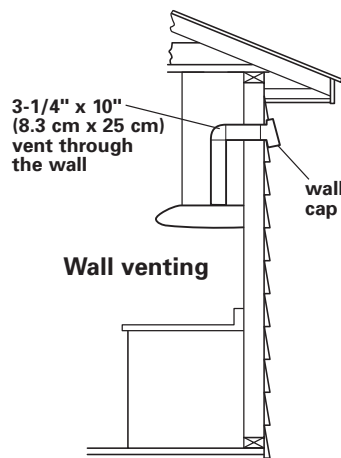
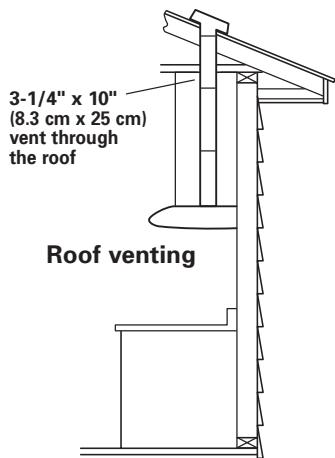
Electrical: 120-volt, 60-Hz, AC-only, 15-amp. electrical supply. Use copper wire only. A time-delay fuse or circuit breaker and separate circuit is recommended.

OVERALL DIMENSIONS

Note: Underside of hood must be a minimum of 24" (61 cm) from cooking surface.



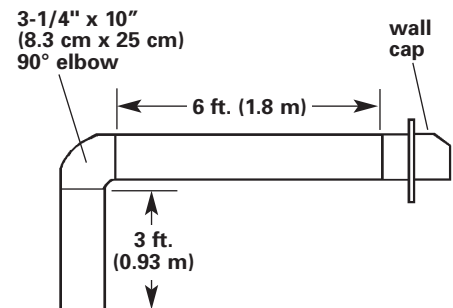
VENTING REQUIREMENTS



Recommended vent system length

Use 3 1/4" x 10" (8.3 cm x 25 cm) vent with maximum length of 26 feet (8 m) for vent system. For best performance, use no more than three 90° elbows. To calculate the length of system you need, add the equivalent feet (meters) for each vent piece used in the system. See the following example.

3-1/4" x 10" (8.3 cm x 25 cm) vent system



Recommended standard fittings

3-1/4" x 10" (8.3 cm x 25 cm) 90° elbow = 5 ft. (1.5 m)	
3-1/4" x 10" (8.3 cm x 25 cm) flat elbow = 12 ft. (3.7 m)	
3-1/4" x 10" (8.3 cm x 25 cm) wall cap = 0 ft. (0 m)	

Maximum length	= 26 ft. (8 m)
1 — 90° elbow	= 5 ft. (1.5 m)
9 ft. (2.8 m) straight	= 9 ft. (2.8 m)
1 — wall cap	= 0 ft. (0 m)
Length of 3-1/4" x 10" (8.3 cm x 25 cm) system	= 14 ft. (4.3 m)

Free Manuals Download Website

<http://myh66.com>

<http://usermanuals.us>

<http://www.somanuals.com>

<http://www.4manuals.cc>

<http://www.manual-lib.com>

<http://www.404manual.com>

<http://www.luxmanual.com>

<http://aubethermostatmanual.com>

Golf course search by state

<http://golfingnear.com>

Email search by domain

<http://emailbydomain.com>

Auto manuals search

<http://auto.somanuals.com>

TV manuals search

<http://tv.somanuals.com>