

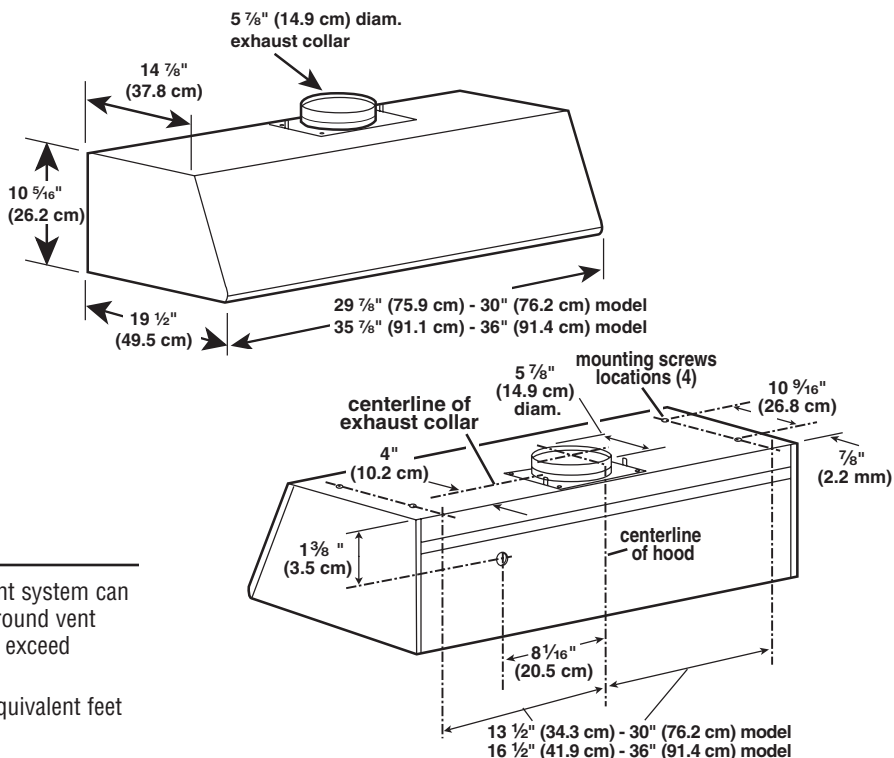
# KitchenAid® 30" and 36" Canopy Range Hood

## PRODUCT MODEL NUMBERS

KHTU105L  
KHTU105R  
KHTU165R

**Electrical:** 120-volt, 60-Hz, AC-only, 15-amp. electrical supply. Use copper wire only. A time-delay fuse or circuit breaker and separate circuit is recommended.

## OVERALL DIMENSIONS



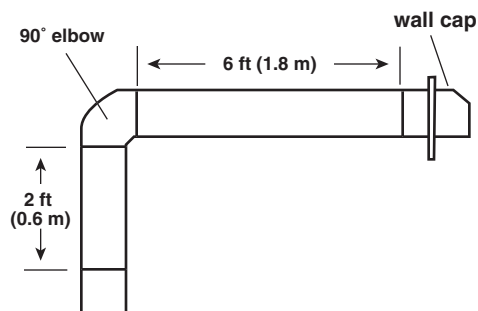
## VENTING REQUIREMENTS

This range hood is factory set for vented installations. Vent system can terminate through either the roof or wall. A 6" (15.2 cm) round vent system must be used. The vent system length should not exceed 35 ft (10.7 m).

To calculate the length of the system you need, add the equivalent feet (meters) for each vent piece used in the system.

Vent piece	6" (15.2 cm) round
45° elbow	2.5 ft (0.8 m)
90° elbow	5.0 ft (1.5 m)

## Example vent system



**Maximum length = 35 ft (10.7 m)**

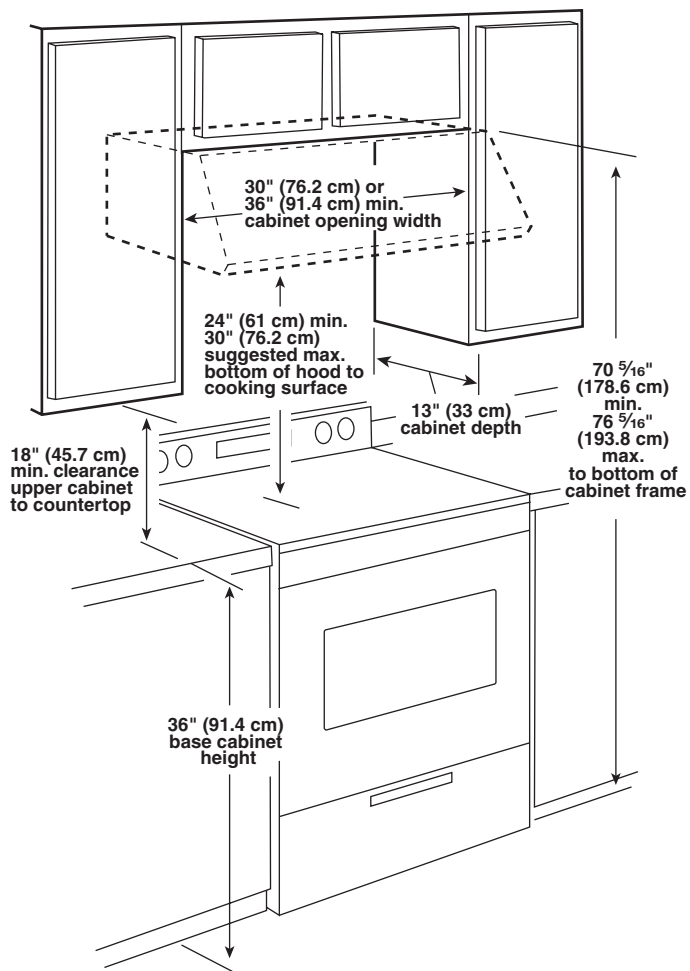
1-90° elbow = 5 ft (1.5 m)

8 ft (2.4 m) straight = 8 ft (2.4 m)

1 - wall cap = 0 ft (0 m)

System length = 13 ft (3.9 m)

## CABINET OPENING DIMENSIONS



## Free Manuals Download Website

<http://myh66.com>

<http://usermanuals.us>

<http://www.somanuals.com>

<http://www.4manuals.cc>

<http://www.manual-lib.com>

<http://www.404manual.com>

<http://www.luxmanual.com>

<http://aubethermostatmanual.com>

Golf course search by state

<http://golfingnear.com>

Email search by domain

<http://emailbydomain.com>

Auto manuals search

<http://auto.somanuals.com>

TV manuals search

<http://tv.somanuals.com>