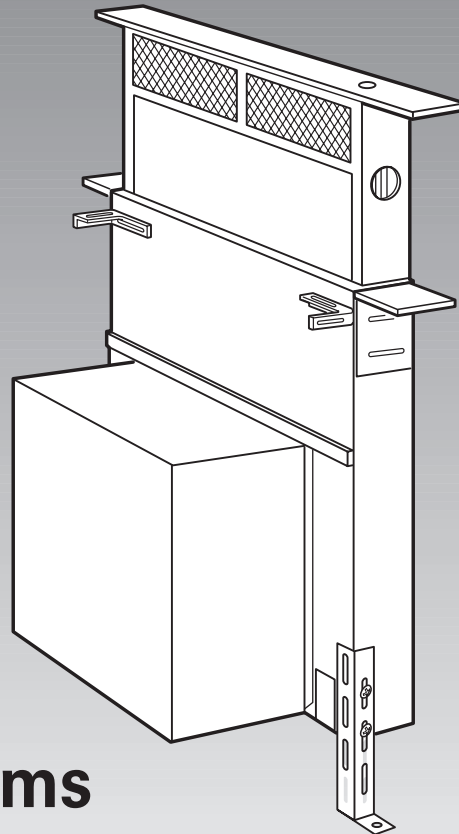


Installation Instructions and Use and Care Guide

30" (76.2 cm) 36" (91.4 cm) Retractable (Pop-up) Downdraft Vent Systems



IMPORTANT:
Read and save
these instructions.

IMPORTANT:

Installer: Leave Installation Instructions with the homeowner.

Homeowner: Keep Installation Instructions for future reference.

Save Installation Instructions for local electrical inspector's use.

Part No. 4329225/9763381

Quick Reference

Table of Contents:

Pages

2	Before you start
3	Electrical requirements
4	Product dimensions
4	Cabinet dimensions
5	Countertop cutout dimensions
6	Vent system requirements Interior-mounted vent motor
7 - 9	Installation steps
9	Vent system requirements Exterior-mounted vent motor
10 - 11	Installation steps
12	Use and Care Information
13	Accessories

Before you start...

Your safety and the safety of others are very important.

We have provided many important safety messages in this manual and on your appliance. Always read and obey all safety messages.



This is the safety alert symbol.

This symbol alerts you to potential hazards that can kill or hurt you and others.

All safety messages will follow the safety alert symbol and either the word "DANGER" or "WARNING". These words mean:

DANGER

You can be killed or seriously injured if you don't immediately follow instructions.

WARNING

You can be killed or seriously injured if you don't follow instructions.

All safety messages will tell you what the potential hazard is, tell you how to reduce the chance of injury, and tell you what can happen if the instructions are not followed.

IMPORTANT: Observe all governing codes and ordinances.

Failure to meet codes and ordinances could lead to fire or electrical shock.

Proper installation is your responsibility. Make sure you have everything necessary for correct installation. It is the responsibility of the installer to comply with the installation clearances specified on the model/serial rating plate. The model/serial rating plate is located on the front of the downdraft vent above the wiring box cover.

Check location where downdraft vent will be installed. The location should be away from strong draft areas, such as windows, doors and strong heating vents or fans. Before making countertop cutout, check that downdraft vent and cooktop location will clear cabinet walls, backsplash, and rear wall studs inside cabinet.

Mobile home installation

The installation of this downdraft vent system must conform to the Manufactured Home Construction Safety Standards, Title 24 CFR, Part 328 (formerly the Federal Standard for Mobile Home Construction and Safety, Title 24, HUD, Part 280) or when such standard is not applicable, the Standard for Manufactured Home Installation 1982 (Manufactured Home Sites, Communities and Setups) ANSI A225.1/NFPA 501A*, or latest edition, or with local codes.

All openings in the wall or floor where retractable downdraft vent is to be installed must be sealed.

Electrical ground is required. See "Electrical requirements," page 3.

When installing downdraft vent, the cabinet drawer will need to be removed and the drawer front installed permanently to cabinet.

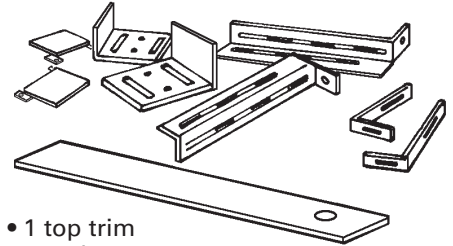
NOTE: Downdraft vent is installed directly behind the cooktop. Install downdraft vent first.

Cabinet construction: Downdraft vent is designed for use in a cabinet with a depth of 24" (61 cm). Some installations require a countertop deeper than 25" (63.5 cm). See chart on page 5. The maximum depth of the overhead cabinet is 13" (33 cm). Overhead cabinets installed at either side of the downdraft vent must be 18" (45.7 cm) above the cooking surface.

See cooktop Installation Instructions before making any cutouts and for the minimum distance between the front edge of the countertop and front edge of cooktop. The minimum horizontal distance between the overhead cabinets is the same as the width of the installed downdraft vent.

When installing a 36" (91.4 cm) retractable downdraft vent with "Create-A-Cooktop" modules, the optional support must be installed on the front of the downdraft vent. See installation steps for details.

Parts supplied for installation:



- 1 top trim
- 2 end caps
- 2 lower support legs
- 2 overcounter support brackets
- 2 undercounter mounting brackets
- 1 bag of fasteners
- 1 metal cover
- 1 backdraft damper
- literature package
- optional support and two screws (36" (91.4 cm) models only)

Parts needed for installation:

- 2 U.L.- or C.S.A.-listed 1/2" (12.7 mm) conduit connectors (3 are required if the exterior-mounted vent motor is used.)
- 1 wall cap for interior-mounted motor
- vent system
- power supply cable
- wiring cable for optional remote blower kit.

Tools needed for installation:

- safety glasses
- gloves
- jig or keyhole saw
- drill with 1/8" drill bit
- pencil
- measuring tape
- flat-blade screwdriver
- Phillips screwdriver
- 3/8" (9.5 mm) nut driver or ratchet
- level
- pliers
- metal snips
- wire stripper or utility knife
- caulking gun and weatherproof caulk
- duct tape

Electrical requirements

IMPORTANT: Observe all governing codes and ordinances.

It is the customer's responsibility:

- To contact a qualified electrical installer.
- To assure that the electrical installation is adequate and in conformance with National Electrical Code, ANSI/NFPA 70 — latest edition*, or CSA Standards C22.1-94, Canadian Electrical Code, Part 1 and C22.2 No. 0-M91 - latest edition** and all local codes and ordinances.

If codes permit and a separate ground wire is used, it is recommended that a qualified electrician determine that the ground path is adequate.

Do not ground to a gas pipe.

Check with a qualified electrician if you are not sure downdraft vent is properly grounded.

Do not have a fuse in the neutral or ground circuit.

IMPORTANT: Save Installation instructions for electrical inspector's use.

A. A 120-volt, 60-Hz, AC-only, fused electrical supply is required on a separate 15 amp circuit. A time-delay fuse or circuit breaker is recommended. The fuse must be sized per local codes in accordance with the electrical rating of the downdraft vent as specified on the model/serial rating plate located on the front of the downdraft vent above the wiring box cover.

B. The downdraft vent must be connected with copper wire only.

C. Wire sizes and connections must conform to the requirements of the National Electrical Code, ANSI/NFPA 70 — latest edition*, or CSA Standards C22.1-94, Canadian Electrical Code, Part 1 and C22.2 No. 0-M91 - latest edition** and all local codes and ordinances.

WARNING — TO REDUCE THE RISK OF FIRE, ELECTRIC SHOCK, OR INJURY TO PERSONS, OBSERVE THE FOLLOWING:

Installation work and electrical wiring must be done by qualified person(s) in accordance with all applicable Codes and Standards, including fire related construction. Sufficient air is needed for proper combustion and exhausting of gases through the flue (chimney) of fuel burning equipment to prevent back drafting. Follow the heating equipment manufacturer's guideline and safety standards such as those published by the National Fire Protection Association (NFPA), and the American Society of Heating Refrigeration and Air Conditioning Engineers (ASHRAE), and the local code authorities.

When cutting or drilling into wall or ceiling, do not damage electrical wiring and other hidden utilities.

Ducted fans must always be vented to the outdoors.

WARNING — To reduce the risk of fire, use only metal ductwork.

This unit must be grounded.

D. This downdraft vent should be connected directly to the fused disconnect (or circuit breaker) through flexible, armored or non-metallic sheathed, copper cable. Allow some slack in the cable so the downdraft vent can be moved if servicing is ever necessary.

E. A U.L.- or C.S.A.-listed, 1/2" (12.7 mm) conduit connector must be provided at each end of the power supply cable (at the downdraft vent and at the junction box).

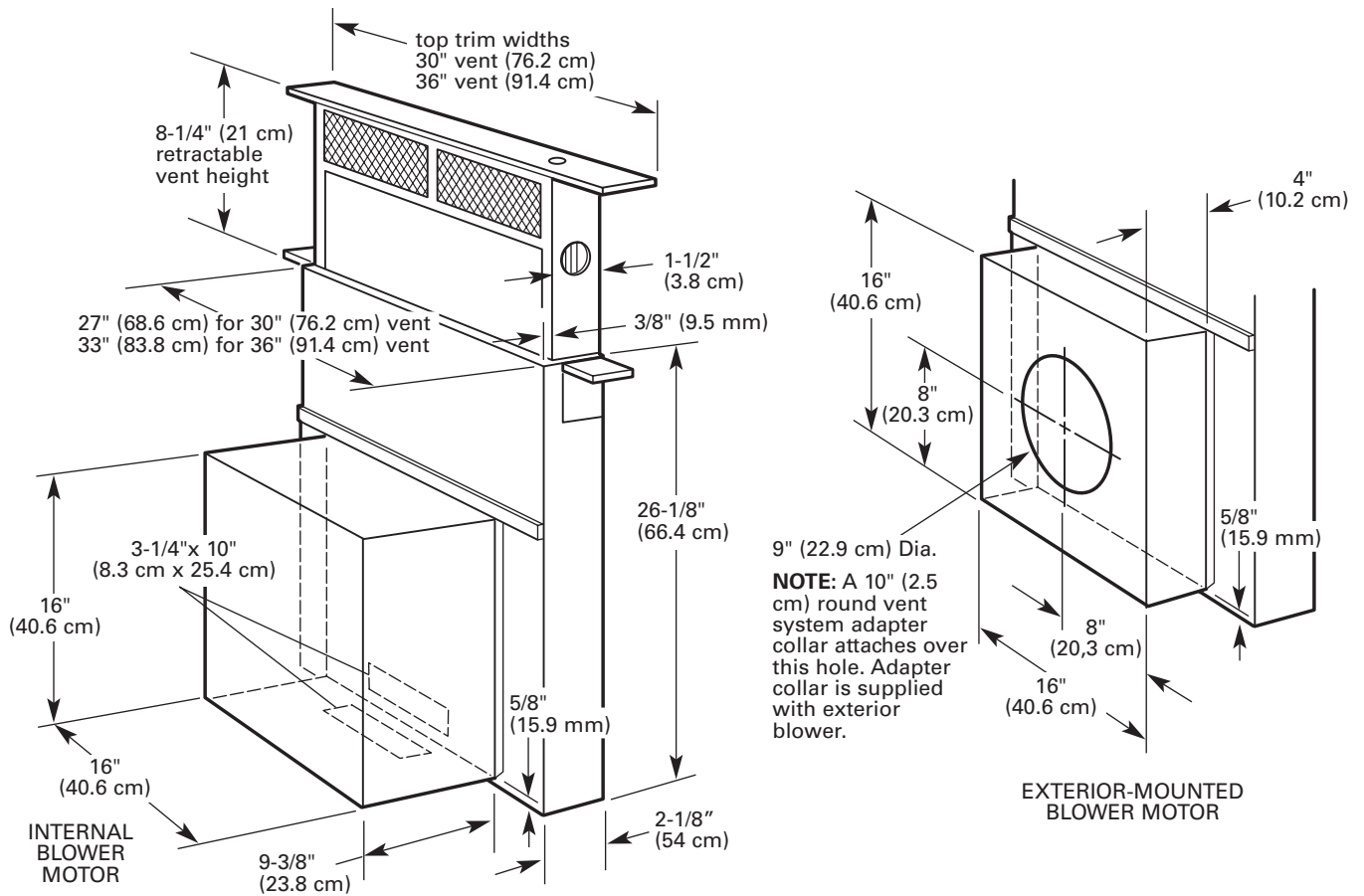
F. A wiring diagram is located on the downdraft vent base above the wiring box cover.

Copies of the standards listed may be obtained from:

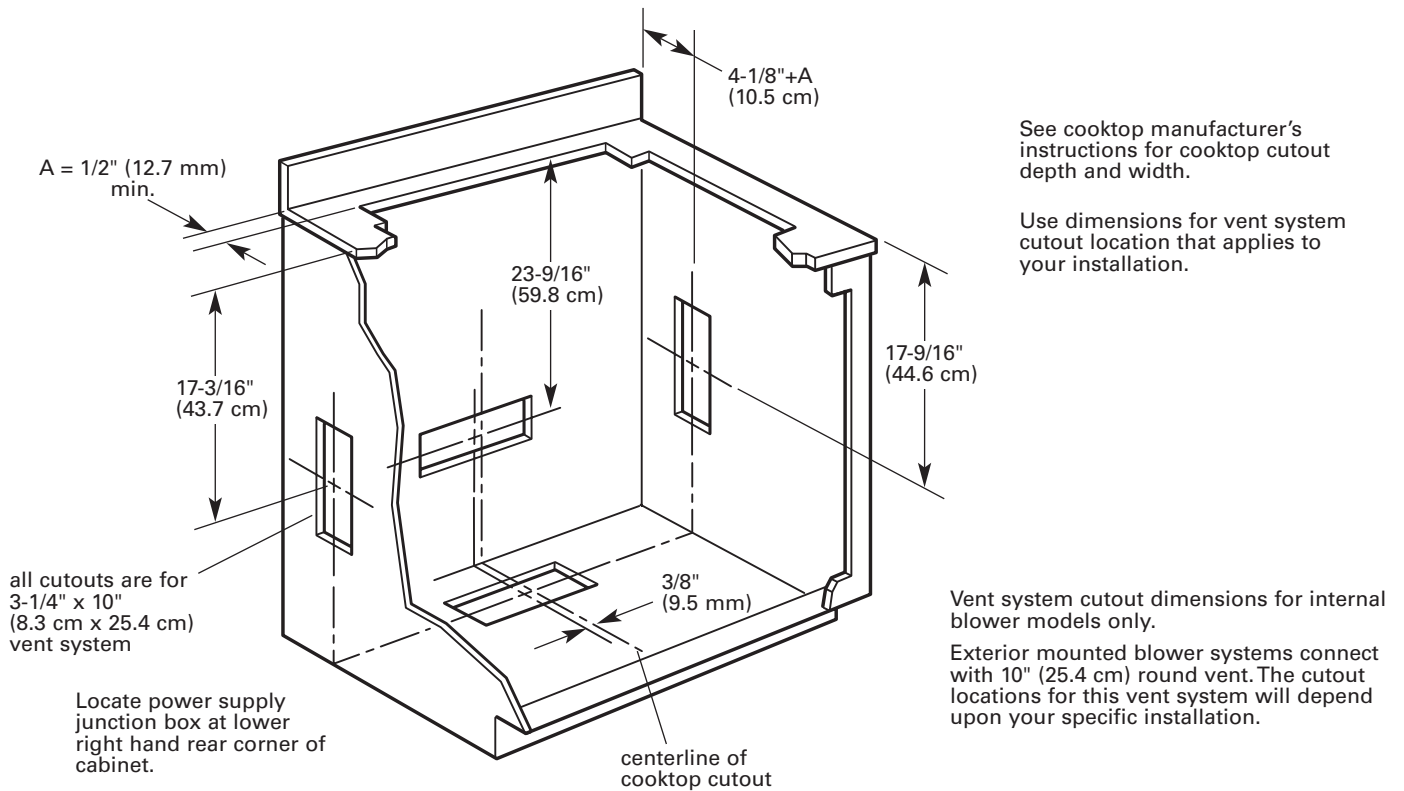
* National Fire Protection Association
One Batterymarch Park
Quincy, Massachusetts 02269

** CSA International
8501 East Pleasant Valley Road
Cleveland, Ohio 44131-5575

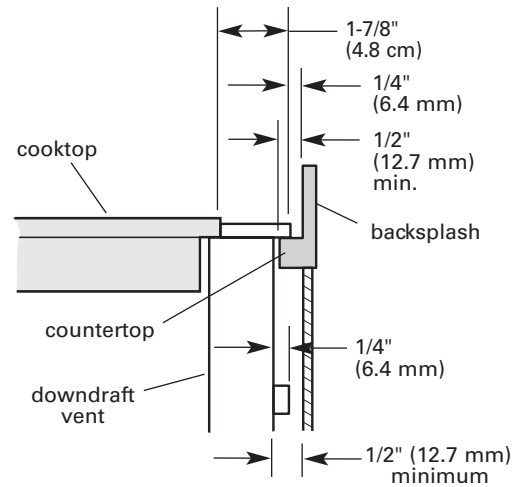
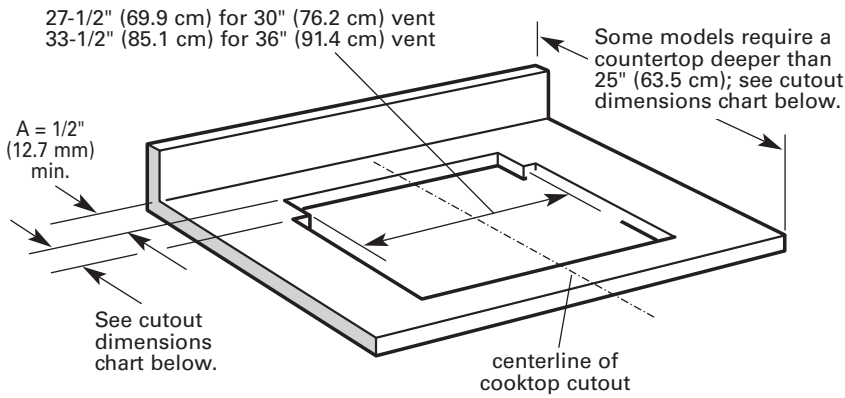
Product dimensions



Cabinet dimensions



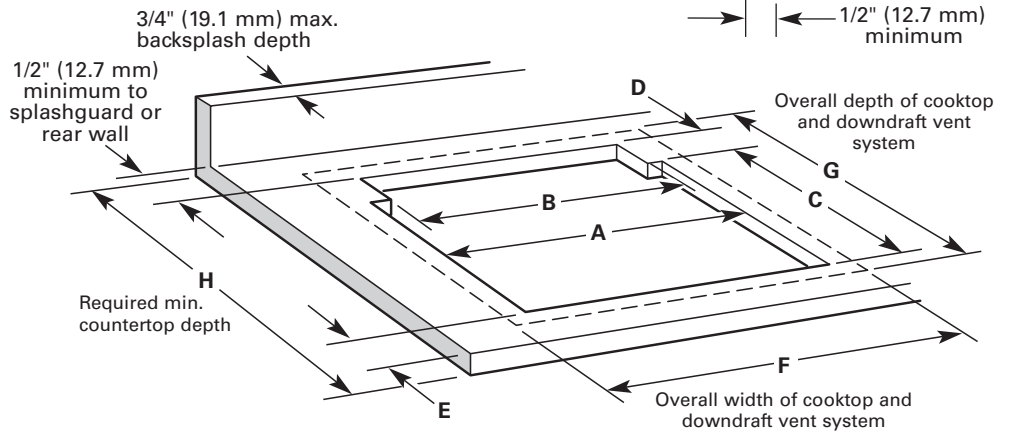
Countertop cutout dimensions



It is recommended that the cooktop and vent cutouts be drawn on the countertop before making any cutouts to avoid mistakes.

See Cooktop Installation Instructions for complete cutout dimensions, location dimensions and installation details.

IMPORTANT: Countertops with a bullnosed front edge are not recommended for these installations. Use only the exterior-mounted blower system, KPEC992M [900 cfm (25.5 m³/m)], with the retractable popup downdraft vent system.



Cooktop Models	Cooktop Size	Installed with Vent System Models	A	B	C	D	E	F	G	H
KGCS105G	30" (76.2 cm)	KIRD801HSS KIRD802HSS	29" (73.7 cm)	27-1/2" (69.9 cm)	19-5/8" (49.8 cm)	2-1/8" (5.4 cm)	1-3/4" (4.4 cm)	31-3/8" (79.7 cm)	23" (58.4 cm)	25" (63.5 cm)
KECC502G* KECC507G* KECC507K* KECC508G* KECC508M*	30" (76.2 cm)	KIRD801HSS KIRD802HSS	29-1/2" (74.9 cm)	27-1/2" (69.9 cm)	20-1/2" (52.1 cm)	2-1/8" (5.4 cm)	2" (5.1 cm)	31-1/2" (80.0 cm)	23-1/4" (59.1 cm)	25-7/8" (65.7 cm)
KECS100G*	30" (76.2 cm)	KIRD801HSS KIRD802HSS	28-7/8" (73.3 cm)	27-1/2" (69.9 cm)	19" (48.3 cm)	2-1/2" (6.4 cm)	3-3/8" (8.6 cm)	31-1/2" (80.0 cm)	23" (58.4 cm)	25-5/8" (65.1 cm)
GLT3014G GLT3034L SCS3004G SCS3004L SCS3014G SCS3014L	30" (76.2 cm)	GZ7730XGS GZ7930XGS GZ7930XHS	29" (73.7 cm)	27-1/2" (69.9 cm)	19-5/8" (49.8 cm)	2-1/8" (5.4 cm)	1-3/4" (4.4 cm)	31-3/8" (79.7 cm)	23" (58.4 cm)	25" (63.5 cm)
RCC3024G* RCC3024L* GJC3034G* GJC3034L*	30" (76.2 cm)	GZ7730XGS GZ7930XGS GZ7930XHS	29-1/2" (74.9 cm)	27-1/2" (69.9 cm)	20-1/2" (52.1 cm)	2" (5.1 cm)	2" (5.1 cm)	30" (76.2 cm)	23" (58.4 cm)	25-3/4" (65.4 cm)
RCS3004G* RCS3014L* RCS3014G* RCS3014L* YRCS3014G* YRCS3014L*	30" (76.2 cm)	GZ7730XGS GZ7930XGS GZ7930XHS	28-7/8" (73.3 cm)	27-1/2" (69.9 cm)	19" (48.3 cm)	2-1/2" (6.4 cm)	3" (7.6 cm)	31-1/2" (80.0 cm)	23" (58.4 cm)	25-1/2" (64.8 cm)

KGCS166G	36" (91.4 cm)	KIRD861HSS KIRD862HSS	35-1/4" (89.5 cm)	33-1/2" (85.9 cm)	19-5/8" (49.8 cm)	2-1/8" (5.4 cm)	1-3/4" (4.4 cm)	37-1/2" (95.3 cm)	23" (58.4 cm)	25" (63.5 cm)
KECC562G* KECC567G* KECC568G*	36" (91.4 cm)	KIRD861HSS KIRD862HSS	35-1/2" (90.2 cm)	33-1/2" (85.9 cm)	20-1/2" (52.1 cm)	2-1/8" (5.4 cm)	2" (5.1 cm)	37-1/2" (95.3 cm)	23-1/4" (59.1 cm)	26-7/8" (68.3 cm)
KECS161G*	36" (91.4 cm)	KIRD861HSS KIRD862HSS	35" (88.9 cm)	33-1/2" (85.9 cm)	19" (48.3 cm)	2-1/2" (6.4 cm)	3-3/8" (8.6 cm)	37-5/8" (95.6 cm)	23" (58.4 cm)	25-5/8" (65.1 cm)
GLT3614XG GLT3634XL	36" (91.4 cm)	GZ7736XGS GZ7936XGS GZ7936XHS	35-1/4" (89.5 cm)	33-1/2" (85.9 cm)	19-5/8" (49.8 cm)	2-1/8" (5.4 cm)	1-3/4" (4.4 cm)	36-5/8" (93.0 cm)	23" (58.4 cm)	25" (63.5 cm)
GJC3634G* GJC3634L*	36" (91.4 cm)	GZ7736XGS GZ7936XGS GZ7936XHS	35-1/2" (90.2 cm)	33-1/2" (85.9 cm)	20-1/2" (52.1 cm)	2" (5.1 cm)	2" (5.1 cm)	36" (91.4 cm)	23" (58.4 cm)	25-3/4" (65.4 cm)
RCS3614G* RCS3614L*	36" (91.4 cm)	GZ7736XGS GZ7936XGS GZ7936XHS	35" (88.9 cm)	33-1/2" (85.9 cm)	19" (48.3 cm)	2-1/2" (6.4 cm)	3" (7.6 cm)	37-5/8" (95.6 cm)	23" (58.4 cm)	25-5/8" (65.1 cm)

* Installation with vent system requires countertop and base cabinet deeper than standard 25" (63.5 cm) deep countertop and 24" (61.0 cm) deep base cabinet.

Vent system requirements

Venting system must terminate to the outside.

Do not terminate the vent system in an attic or other enclosed area.

Do not use 4" (10.2 cm) laundry-type wall caps

Do not use plastic or metal foil vent.

Vent work needed for installation is not supplied.

Wall cap is not provided with interior-mounted motor.

Determine which venting method to use. Vent system can extend through either the wall or roof.

The length of vent system and number of elbows should be kept to a minimum to provide efficient performance.

The size of the vent should be uniform.

Do not install two elbows together.

Use duct tape to seal all joints in the vent system.

Use caulking tape to seal the exterior wall or floor opening around cap.

Do not cut joist or stud. If vent cutout falls over a joist or stud, a supporting frame must be constructed.

Flexible metal vent is not recommended. If it is used, calculate each foot of flexible vent as two feet of rigid metal vent. Flexible elbows count twice as much as standard elbows.

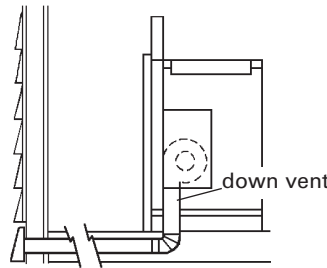
NOTE: Make sure there is proper clearance within the wall or floor before making exhaust vent cutouts.

Recommended vent system length: For either interior-mounted or exterior-mounted blower installations, vent system length should not exceed the maximum lengths listed in the "Maximum length of vent system" chart. (See this page for Interior-mounted vent motor; page 9 for exterior-mounted vent motor.)

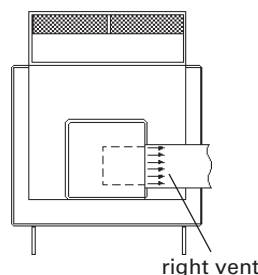
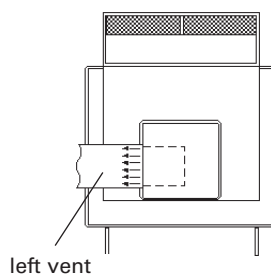
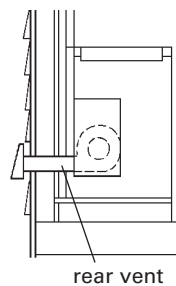
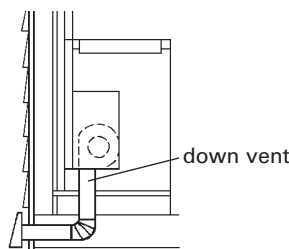
Interior-mounted vent motor

Installation requirements

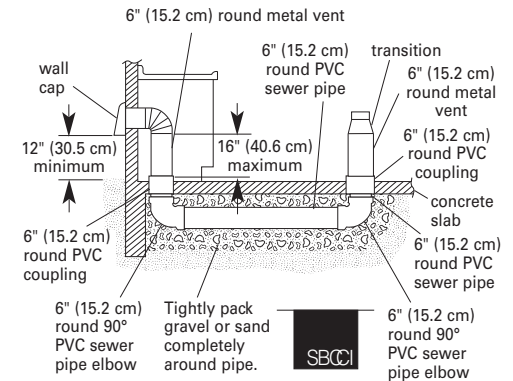
Island location



Built-in cabinet locations

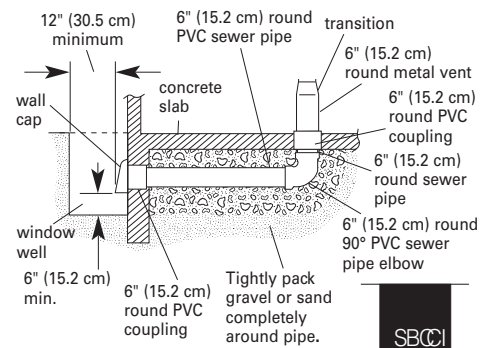


Vent system installed under a concrete slab using PVC sewer pipe.



Optional vent system installed under a concrete slab into a window well.

Do not vent a gas cooktop into a window well.



Seal the space between the outside of wall cap inlet inside of PVC coupling with caulking metal.

Maximum length of vent system

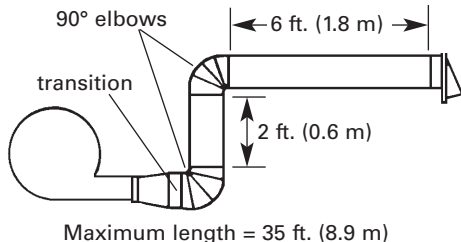
Vent	Length
6" (15.2 cm) round	35 feet (8.9 m)
3-1/4" x 10" (8.3 cm x 25.4 cm)	35 feet (8.9 m)

For best performance, use no more than three 90° elbows. If more than one elbow is used, make sure that there is a minimum of 24" (61 cm) of straight vent between any two elbows. Do not install two elbows together. It is recommended that you use round vent instead of rectangular vent, especially if elbows are required. If rectangular vent is required, it should be transitioned to 6" (15.2 cm) round vent as soon as possible.

Determining the length of system you need:

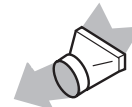
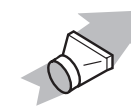





To calculate the length of system you need, add the equivalent feet for each vent piece that will be needed. See example for 6" (15.2 cm) round vent system.

6" (15.2 cm) round vent system



1 - wall cap	= 0 ft.	(0 m)
8 ft. (2.4 m) straight	= 8 ft.	(2.4 m)
2 - 90° elbows	= 10 ft.	(3 m)
Transition	= 4.5 ft.	(1.4 m)
Length of 6" (15.2 cm) system	= 22.5 ft.	(6.8 m)

Recommended standard fittings

		
3-1/4" x 10" (8.3 cm x 25.4 cm) to 6" (15.2 cm) = 4.5 ft. (1.4 m)	6" (15.2 cm) to 3-1/4" x 10" (8.3 cm x 25.4 cm) = 1 ft. (0.3 m)	
		
3-1/4" x 10" (8.3 cm x 25.4 cm) to 6" (15.2 cm) 90° elbow = 5 ft. (1.5 m)	6" (15.2 cm) to 3-1/4" x 10" (8.3 cm x 25.4 cm) 90° elbow = 5 ft. (1.5 m)	
		
90° elbow = 5 ft. (1.5 m)	45° elbow = 2.3 ft. (0.8 m)	6" wall cap = 0 ft. (0 m)

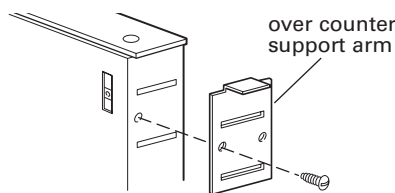
Installation steps

⚠ WARNING

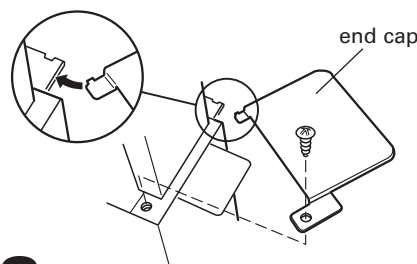
Excessive Weight Hazard
Use two or more people to move and install downdraft vent. Failure to do so can result in back or other injury.

1. Put on gloves and safety glasses. Place cardboard or another form of protection on top of a flat surface where you can

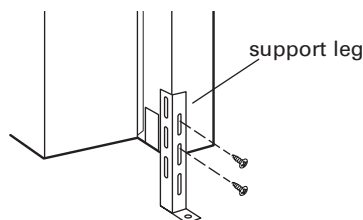
easily assemble the downdraft vent system. Remove parts packages, downdraft vent and blower box from carton and set on protective surface. Remove all shipping materials, tape and protective film from downdraft vent and blower box.



2. Attach the left side and right side overcounter support brackets to the downdraft. Use 1 screw with each bracket.



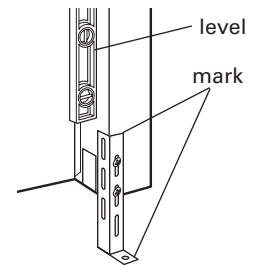
3. Attach the left side and right side end caps to the downdraft. Use 1 screw with each end cap.



4. Attach support legs to side of downdraft vent with 2 screws in each leg. Do not tighten screws.



5. Carefully insert downdraft vent into countertop cutout. Two people are recommended to support the weight of the downdraft vent during lifting. Check that downdraft vent is parallel to side of cutout and that mounting brackets overlap countertop.



6. Move support legs down against cabinet floor. Place a level against front of downdraft vent base and adjust until downdraft vent is level vertically. Use a pencil to mark the top of each leg on downdraft vent. Then mark location of support leg mounting holes on cabinet floor. Remove downdraft vent from cutout. Drill starter holes at each mounting screw location on cabinet floor. Align top of legs with pencil marks on the face of the downdraft vent. Tighten screws in legs.

7. Determine which direction (down, rear, left, or right) vent will need to run from blower vent when installed in cabinet.

Down venting:

Downdraft vent is shipped with blower in down venting position so no modification is required. Go to Step 8.

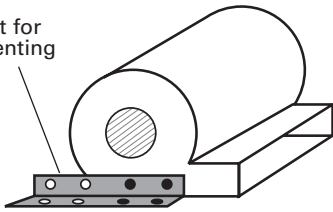
Left or right venting:

- Remove 4 hex nuts that attach blower box to downdraft vent base. Remove blower box.
- Rotate blower box 90° to left or right so that vent blower is repositioned in the direction needed.
- Reattach blower box to downdraft vent base with 4 hex nuts.

Rear venting:

- Remove 4 hex nuts that attach blower box to downdraft vent base. Remove blower box.
- Note how wiring cable is installed under plastic clips inside vent base. Then carefully remove wiring cable from plastic clips. Disconnect blower wiring cable.
- Remove 6 Phillips-head screws attaching blower to blower box. Remove blower.

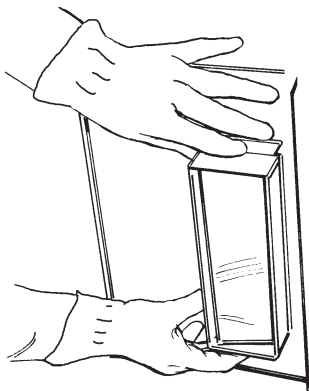
bracket for rear venting



- d. Remove screws attaching brackets to each side of blower. Reposition brackets on blower as shown. Then reinstall screws.
- e. Reinstall blower in blower box with mouth of blower pointing out open side of blower box. Secure blower to blower box with 6 Phillips-head screws.

NOTE: Square metal frame attached to mouth of blower must be installed for proper operation.

- f. Attach metal cover from parts bag over down-venting knockout in blower box. Remove rear knockout cover on back of vent base.
- g. Reconnect blower wiring cable. Secure wiring cable in 2 black plastic clips inside vent base. The wiring cable must be properly secured in the 2 clips (see step b.) Reattach blower box to downdraft vent base with 4 hex nuts.



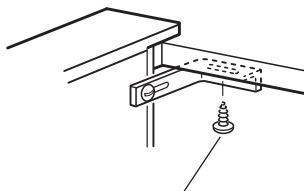
8. Attach backdraft damper over blower box knockout with 2 Phillips-head screws.

9. Remove the 2 Phillips-head screws attaching the wiring box cover. Determine which direction (rear or down) electrical connection will need to run from appliance wiring box. Remove rear or bottom knockout and install conduit connector.

⚠ WARNING

Excessive Weight Hazard
Use two or more people to move and install downdraft vent. Failure to do so can result in back or other injury.

10. Insert downdraft vent into countertop cutout. Two people are recommended to support the weight of the downdraft vent during lifting. Position downdraft vent so it is centered in cutout and parallel to edge of cutout. Check that downdraft vent is level vertically. Then fasten lower support legs to cabinet floor with screws.



When attaching undercounter bracket to underside of countertop, make sure that the screw length will not go through countertop when tightened.

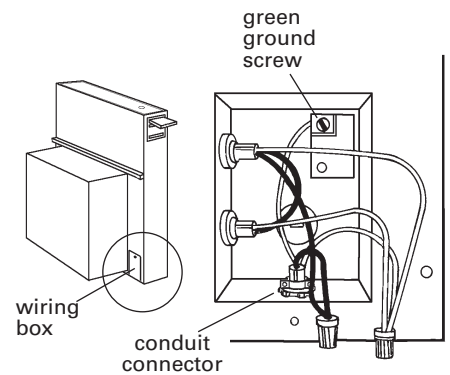
11. Attach one undercounter bracket on front upper right corner of downdraft vent with slot over vent mounting hole and flange against countertop. Attach other bracket to left side of downdraft vent. Carefully drill starter holes through undercounter mounting brackets into underside of countertop. Insert appropriate length screws into holes and tighten brackets to countertop.

⚠ WARNING



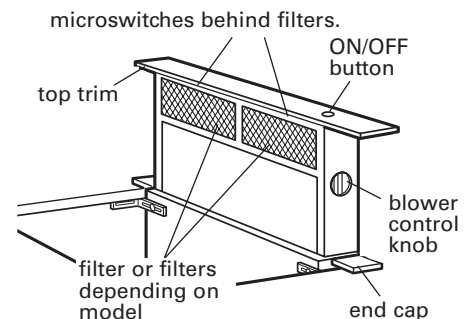
Electrical Shock Hazard
Disconnect power before servicing.
Connect ground wire to green ground screw in terminal box.
Failure to do so can result in death or electrical shock.

12. Disconnect power.



13. Remove required knockout and install conduit connector. Feed the power supply cable through the conduit connector and into the wiring box. Connect the white wires together with a twist-on wire connector. Connect the black wires together with a twist-on wire connector. Attach the green (or green and yellow) ground wire to eyelet with green ground screw. Tighten the conduit connector clamp screws. Replace the wiring box cover.

14. Reconnect power.



15. Push and hold for a few seconds the button on the top of the downdraft vent. Retractable section of downdraft vent will rise and blower will start. Position the top trim over the retractable section and snap trim into place.

16. Turn the control knob on side of vent to check the operation and speed of blower.

If blower does not operate:

- Check that filter or filters are pressed in as far as they will go.
- Check that circuit breaker is not tripped or house fuse blown.
- Disconnect power. Check that wire connections have been made correctly.
- Reconnect power.

17. Connect vent system to blower. Vent system must end with a wall or roof cap. Use duct tape to seal all joints.

18. Install cooktop according to manufacturer's instructions. Check that rear of cooktop overlaps edge of retractable downdraft vent by 3/8" (9.5 mm).

To get the most efficient use from your new retractable downdraft vent, read the Use and Care Information section on page 12.

Keep Installation Instructions and Use and Care Information close by for easy reference.

Exterior-mounted vent motor

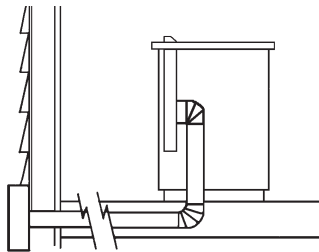
KIRD and YKIRD MODELS ONLY

NOTE: Exterior-mounted vent motor installations require exterior blower system, Model No. KPEC992M [900 cfm (25.5 m³/m)], available from your dealer or authorized parts supplier.

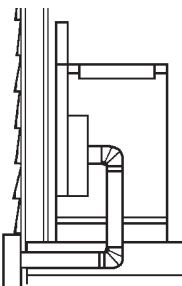
IMPORTANT: Exterior blower Model No. KPEU722M [1200 cfm (34.0 m³/3)] cannot be used with this retractable downdraft vent system.

Installation requirements

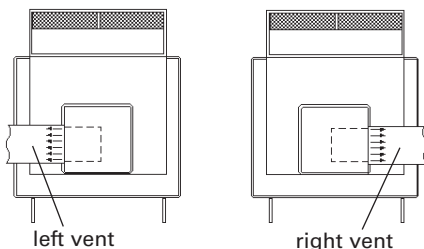
Island location



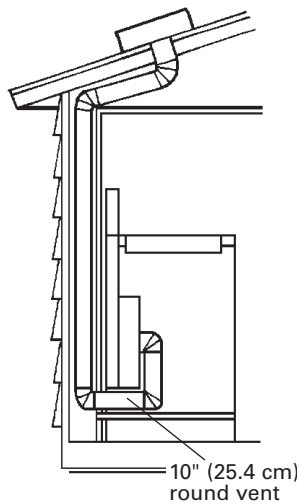
Built-in cabinet location



Built-in cabinet location



Roof venting

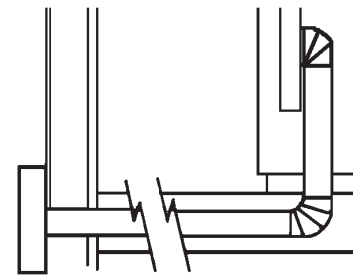


It is recommended that you use round vent instead of rectangular vent, especially if elbows are required. If rectangular vent is required, it should be transitioned to 10" (25.4 cm) round vent as soon as possible.

Determining the length of system you need:

To calculate the length of system you need, add the equivalent feet for each duct piece that will be needed. See example for 10" (25.4 cm) round vent system.

10" (25.4 cm) round vent system



Maximum length = 40 ft. (12.2 m)

2 - 90 elbows = 10 ft. (3.05 m)
10 ft. (3 m) straight = 10 ft. (3.05 m)

Length of 10" (25.4 cm) system = 20 ft. (6.1 m)

NOTE: The exterior-mounted vent motor requires a separate wiring cable that should be installed at the same time the vent work is installed.

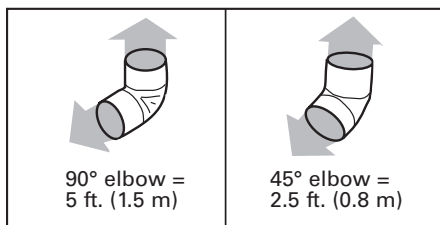
Maximum length of vent system

Vent	Length
10" (25.4 cm) round	40 ft. (12.2 m)

Vent length is given as a general reference only. For a longer vent run, or smaller vent system, contact a qualified and trained vent installer. Check with local codes for makeup air requirements, if any.

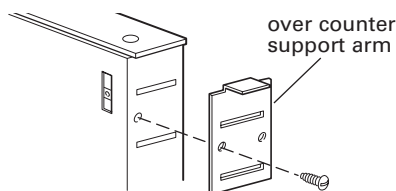
For best performance, use no more than three 90° elbows. If more than one elbow is used, make sure that there is a minimum of 24 inches (61 cm) of straight vent between any two elbows. Do not install two elbows together.

Recommended standard fittings

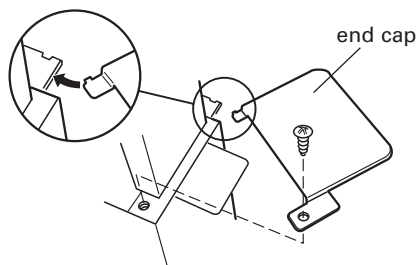


Installation steps

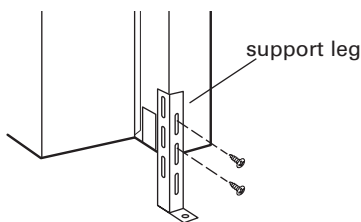
1. Put on gloves and safety glasses. Place cardboard or another form of protection on top of a flat surface where you can easily assemble the downdraft vent system. Remove parts packages, downdraft vent and blower box from carton. Remove all shipping materials, tape and protective film from downdraft vent and blower box.



2. Attach the left side and right side overcounter support brackets to the downdraft. Use 1 screw with each bracket.



3. Attach the left side and right side end caps to the downdraft. Use 1 screw with each end cap.



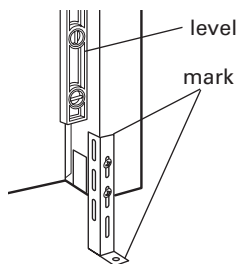
4. Attach support legs to side of downdraft vent with two screws in each leg. Do not tighten screws.

⚠ WARNING

Excessive Weight Hazard
Use two or more people to move and install downdraft vent.
Failure to do so can result in back or other injury.



5. Carefully insert downdraft vent into countertop cutout. Two people are recommended to support the weight of the downdraft vent during lifting. Check that downdraft vent is parallel to side of cutout and that mounting brackets rest gently on countertop.



6. Move support legs down against cabinet floor. Place a level against front of downdraft vent base and adjust position of legs until downdraft is level vertically. Use a pencil to mark the top of each leg on face of downdraft vent. Then mark location of support leg mounting holes on cabinet floor. Remove downdraft vent from cutout. Drill starter holes at each mounting screw location on

cabinet floor. Align top of legs with pencil marks on face of downdraft vent. Tighten screws in legs.

7. Attach 10" (25.4 cm) round vent collar plate (supplied with exterior blower system) to front of downdraft vent using 4 hex washer nuts.

8. Remove the 2 Phillips-head screws attaching the wiring box cover and remove cover. Remove either the back or bottom knockout and install conduit connector.

NOTE: Power supply cable needed between exterior blower assembly and blower box is not provided.

9. Determine the location where the exterior blower box will be located. Cut opening in roof or wall for vent system to exterior blower. Install exterior blower according to instructions supplied with the blower kit.

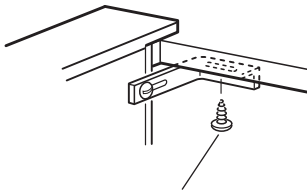
Wall Installations:

- Use caulking compound between mounting flange and wall.

Roof Installations:

- Follow standard roofing procedures.
- The flashing sheet should be centered over the roof opening.
- Lower edge of flashing should lie on top of shingles and upper edge underneath shingles.
- Seal assembly between roof, fan and flashing with roofing mastic to prevent leaks.

10. Insert retractable downdraft vent into countertop cutout. Two people are recommended to support the weight of the downdraft vent during lifting. Position downdraft vent so it is centered in cutout and parallel to edge of cutout. Check that downdraft vent is vertical. Then attach lower support legs to cabinet floor with screws.



When attaching undercounter bracket to underside of countertop, make sure that the screw length will not go through countertop when tightened.

11. Attach one undercounter mounting bracket on front upper right corner of downdraft vent with slot over vent mounting hole and flange against countertop. Attach other bracket to left side of downdraft vent. Carefully drill starter holes through undercounter mounting brackets into underside of countertop. Insert appropriate length screws into holes and tighten brackets to countertop.

⚠ WARNING



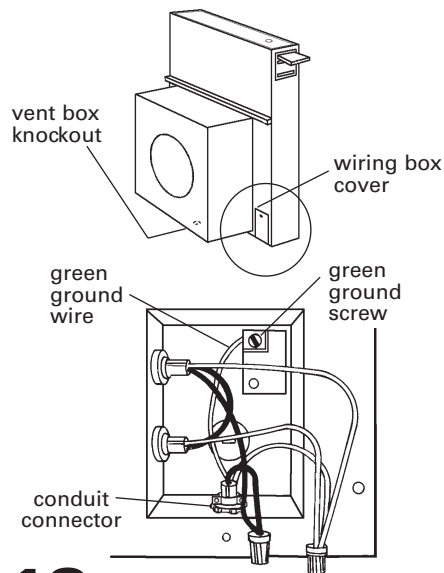
Electrical Shock Hazard

Disconnect power before servicing.

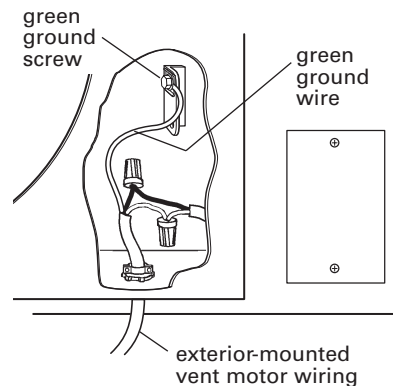
Connect ground wire to green ground screw in terminal box.

Failure to do so can result in death or electrical shock.

12. Disconnect power.



13. Feed the power supply cable through the conduit connector and into wiring box. Connect the white wires together with a twist-on wire connector. Connect the black wires together with a twist-on wire connector. Attach the green (or green and yellow) ground wire to eyelet with green ground screw and tighten screw. Replace wiring box cover.



14. Remove vent box knockout and install conduit connector.

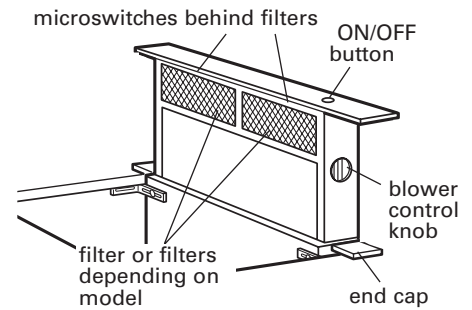
Feed exterior-mounted vent motor wiring through conduit connector.

IMPORTANT: Do not wire the exterior vent motor black and white wires into the wiring box. Wires must be connected as shown. Connect the white wires together with a twist-on wire connector. Connect the black wires together with a twist-on connector.

Attach ground wire to eyelet with green ground screw and tighten screw.

Tighten conduit connector clamp screws.

15. Reconnect power.



16. Push and hold for a few seconds the button on the top of the downdraft vent. Retractable section of downdraft vent will rise and blower will start. Position the top trim over the retractable section and snap trim into place.

17. Turn the control knob on side of vent to check the operation and speed of blower. If blower does not operate:

- Check that filter or filters are pressed in as far as they will go.
- Check that circuit breaker is not tripped or house fuse blown.
- Reconnect power. Check that wire connections have been made correctly.

18. Connect vent to blower. Position vent to avoid wall studs and floor joists. Complete all vent work. Use duct tape to seal all joints. Vertical vent for wall-mounted installations should pitch down slightly toward the vent to allow moisture to run outside.

19. Install cooktop according to manufacturer's instructions. Check that rear of cooktop overlaps edge of retractable downdraft vent by 3/8" (9.5 mm).

To get the most efficient use from your new retractable downdraft vent, read the Use and Care Information section on page 12.

Keep Installation Instructions and Use and Care Information close by for easy reference.

Use and Care Information

The retractable downdraft vent system is designed to remove smoke, cooking vapors and odors from the cooktop area. For the best results, the vent should be operating before cooking is started. If you use large or tall utensils, place them on the large rear element or burner surface. A higher heat setting than normally used may be needed when the downdraft vent is operating.

WARNING — TO REDUCE THE RISK OF FIRE, ELECTRIC SHOCK, OR INJURY TO PERSONS, OBSERVE THE FOLLOWING:

Use this unit only in the manner intended by the manufacturer. If you have questions, contact the manufacturer. Before servicing or cleaning unit, switch power off at service panel and lock the service disconnecting means to prevent power from being switched on accidentally. When the service disconnecting means cannot be locked, securely fasten a prominent warning device such as a tag to the service panel.

CAUTION: For general ventilating use only. Do not use to exhaust hazardous or explosive materials and vapors.

WARNING — TO REDUCE THE RISK OF A RANGE TOP GREASE FIRE:

Never leave surface units unattended at high settings. Boilovers cause smoking and greasy spillovers that may ignite. Heat oils slowly on low or medium settings.

Always turn hood ON when cooking at high heat or when cooking flaming foods.

Clean ventilating fans frequently. Grease should not be allowed to accumulate on fan or filter.

Use proper pan size. Always use cookware appropriate for the size of the surface element.

WARNING — TO REDUCE THE RISK OF INJURY TO PERSONS IN THE EVENT OF A RANGE TOP GREASE FIRE, OBSERVE THE FOLLOWING:

SMOTHER FLAMES with a close-fitting lid, cookie sheet, or metal tray, then turn off the burner. **BE CAREFUL TO PREVENT BURNS.**

If the flames do not go out immediately, **EVACUATE AND CALL THE FIRE DEPARTMENT.**

NEVER PICK UP A FLAMING PAN — You may be burned.

DO NOT USE WATER, including wet dishcloths or towels — a violent steam explosion will result. Use an extinguisher **ONLY** if:

You know you have a Class ABC extinguisher, and you already know how to operate it.

The fire is small and contained in the area where it is started.

The fire department is being called.

You can fight the fire with your back to an exit.

This fan is suitable for use with solid-state speed controls.

Operating downdraft vent

Push and hold for a few seconds the button on top of downdraft vent. This slight delay prevents raising the vent during cleaning. Retractable section of downdraft vent will rise and blower will begin to vent. Turn knob on side of downdraft vent to adjust the setting to the amount of venting you need. The knob has infinite settings. Place cooking utensils on cooking surface and turn cooking unit on. When cooking is complete, turn cooking unit off, remove utensils from cooking surface, and push button on top of retractable downdraft vent. The blower will turn off and the retractable section of the vent will return to the closed position.

If a spill occurs on the cooktop that allows liquids to seep inside the downdraft, you must turn the downdraft off immediately. It is possible to cause damage to the downdraft if water is allowed inside the downdraft while it is operating.

- Immediately turn OFF the downdraft at the speed control located on the right-hand side of the downdraft.
- Turn OFF the power supply to the downdraft at the circuit breaker box or fuse box.
- Allow plenty of time for the downdraft to dry naturally. Do not open the downdraft to remove the water.

Cleaning

Surface of downdraft vent: Clean with soap and water. Do Not use scouring powder or abrasive solutions.

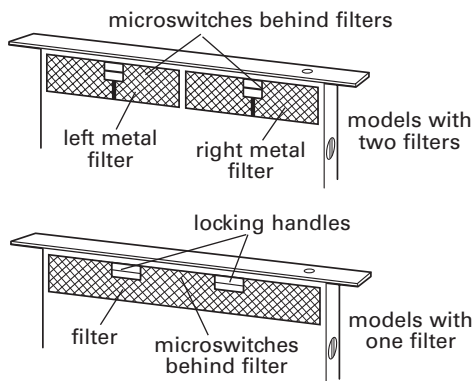
Filter or filters (depending on model): Frequently remove and clean the filters in the retractable section of the downdraft vent. This will improve the operating efficiency of the downdraft vent system.

1. Remove the filter(s) and clean them in the dishwasher or in a hot detergent solution.
Do not use the downdraft vent when the filter(s) is not in place.
2. Reinstall the clean filter(s), making sure that they are pushed in as far as they will go.

NOTE: Downdraft vent will not operate if filter(s) is not in proper position. If the handle(s) is not fully locked, the vent may retract but not raise back up.

If retractable downdraft vent does not operate after clean filters have been reinstalled:

Push the filter in as far as it will go. When the filter is removed, the microswitch behind the filter is inactivated. This safety feature stops the blower and raising mechanism until the filter is properly reinstalled.



Accessories

available from your dealer

NOTE: Instructions are included with each kit.

For model series
KIRD & YKIRD 801, 802

30" (76.2 cm) one-piece trim:
Part No. 8171304 (white)
Part No. 8171305 (black)
Part No. 8171306 (biscuit)

For model series
KIRD & YKIRD 861, 862

36" (91.4 cm) one-piece trim:
Part No. 8171310 (white)
Part No. 8171311 (black)
Part No. 8171312 (biscuit)

For model series
GZ & YGZ 7930

30" (76.2 cm) one-piece trim:
Part No. 8171300 (white)
Part No. 8171301 (black)
Part No. 8171370 (biscuit)

For model series
GZ & YGZ 7736

36" (91.4 cm) one-piece trim:
Part No. 8171302 (white)
Part No. 8171303 (black)
Part No. 8171371 (biscuit)

KITCHENAID® VENTILATION WARRANTY

ONE YEAR LIMITED WARRANTY

For one year from the date of purchase, when this major appliance is operated and maintained according to instructions attached to or furnished with the product, KitchenAid or KitchenAid Canada (hereafter "KitchenAid") will pay for factory specified parts and repair labor to correct defects in materials or workmanship. Service must be provided by a KitchenAid designated service company.

ITEMS KITCHENAID WILL NOT PAY FOR

1. Service calls to correct the installation of your major appliance, to instruct you how to use your major appliance, to replace or repair house fuses or to correct house wiring or plumbing.
2. Service calls to repair or replace appliance light bulbs, air filters or water filters. Those consumable parts are excluded from warranty coverage.
3. Repairs when your major appliance is used for other than normal, single-family household use.
4. Damage resulting from accident, alteration, misuse, abuse, fire, flood, acts of God, improper installation, installation not in accordance with electrical or plumbing codes, or use of products not approved by KitchenAid.
5. Replacement parts or repair labor costs for units operated outside the United States or Canada.
6. Pickup and delivery. This major appliance is designed to be repaired in the home.
7. Repairs to parts or systems resulting from unauthorized modifications made to the appliance.
8. Expenses for travel and transportation for product service in remote locations.
9. The removal and reinstallation of your appliance if it is installed in an inaccessible location or is not installed in accordance with published installation instructions.

DISCLAIMER OF IMPLIED WARRANTIES; LIMITATION OF REMEDIES

CUSTOMER'S SOLE AND EXCLUSIVE REMEDY UNDER THIS LIMITED WARRANTY SHALL BE PRODUCT REPAIR AS PROVIDED HEREIN. IMPLIED WARRANTIES, INCLUDING WARRANTIES OF MERCHANTABILITY OR FITNESS FOR A PARTICULAR PURPOSE, ARE LIMITED TO ONE YEAR OR THE SHORTEST PERIOD ALLOWED BY LAW. KITCHENAID SHALL NOT BE LIABLE FOR INCIDENTAL OR CONSEQUENTIAL DAMAGES. SOME STATES AND PROVINCES DO NOT ALLOW THE EXCLUSION OR LIMITATION OF INCIDENTAL OR CONSEQUENTIAL DAMAGES, OR LIMITATIONS ON THE DURATION OF IMPLIED WARRANTIES OF MERCHANTABILITY OR FITNESS, SO THESE EXCLUSIONS OR LIMITATIONS MAY NOT APPLY TO YOU. THIS WARRANTY GIVES YOU SPECIFIC LEGAL RIGHTS AND YOU MAY ALSO HAVE OTHER RIGHTS, WHICH VARY FROM STATE TO STATE OR PROVINCE TO PROVINCE.

Outside the 50 United States and Canada, this warranty does not apply. Contact your authorized KitchenAid dealer to determine if another warranty applies.

If you need service, first see the "Troubleshooting" section of the Use & Care Guide. After checking "Troubleshooting," additional help can be found by checking the "Assistance or Service" section or by calling KitchenAid. In the U.S.A., call **1-800-422-1230**. In Canada, call **1-800-807-6777**.

10/05

WHIRLPOOL CORPORATION MAJOR APPLIANCE WARRANTY

ONE YEAR LIMITED WARRANTY

For one year from the date of purchase, when this major appliance is operated and maintained according to instructions attached to or furnished with the product, Whirlpool Corporation or Whirlpool Canada LP (hereafter "Whirlpool") will pay for FSP® replacement parts and repair labor to correct defects in materials or workmanship. Service must be provided by a Whirlpool designated service company.

ITEMS WHIRLPOOL WILL NOT PAY FOR

1. Service calls to correct the installation of your major appliance, to instruct you how to use your major appliance, to replace or repair house fuses or to correct house wiring or plumbing.
 2. Service calls to repair or replace appliance light bulbs, air filters or water filters. Those consumable parts are excluded from warranty coverage.
 3. Repairs when your major appliance is used for other than normal, single-family household use.
 4. Damage resulting from accident, alteration, misuse, abuse, fire, flood, acts of God, improper installation, installation not in accordance with electrical or plumbing codes, or use of products not approved by Whirlpool.
 5. Any food loss due to refrigerator or freezer product failures.
 6. Replacement parts or repair labor costs for units operated outside the United States or Canada.
 7. Pickup and delivery. This major appliance is designed to be repaired in the home.
 8. Repairs to parts or systems resulting from unauthorized modifications made to the appliance.
 9. Expenses for travel and transportation for product service in remote locations.
 10. The removal and reinstallation of your appliance if it is installed in an inaccessible location or is not installed in accordance with published installation instructions.
-

DISCLAIMER OF IMPLIED WARRANTIES; LIMITATION OF REMEDIES

CUSTOMER'S SOLE AND EXCLUSIVE REMEDY UNDER THIS LIMITED WARRANTY SHALL BE PRODUCT REPAIR AS PROVIDED HEREIN. IMPLIED WARRANTIES, INCLUDING WARRANTIES OF MERCHANTABILITY OR FITNESS FOR A PARTICULAR PURPOSE, ARE LIMITED TO ONE YEAR OR THE SHORTEST PERIOD ALLOWED BY LAW. WHIRLPOOL SHALL NOT BE LIABLE FOR INCIDENTAL OR CONSEQUENTIAL DAMAGES. SOME STATES AND PROVINCES DO NOT ALLOW THE EXCLUSION OR LIMITATION OF INCIDENTAL OR CONSEQUENTIAL DAMAGES, OR LIMITATIONS ON THE DURATION OF IMPLIED WARRANTIES OF MERCHANTABILITY OR FITNESS, SO THESE EXCLUSIONS OR LIMITATIONS MAY NOT APPLY TO YOU. THIS WARRANTY GIVES YOU SPECIFIC LEGAL RIGHTS AND YOU MAY ALSO HAVE OTHER RIGHTS, WHICH VARY FROM STATE TO STATE OR PROVINCE TO PROVINCE.

Outside the 50 United States and Canada, this warranty does not apply. Contact your authorized Whirlpool dealer to determine if another warranty applies.

If you need service, first see the "Troubleshooting" section of the Use & Care Guide. After checking "Troubleshooting," additional help can be found by checking the "Assistance or Service" section or by calling Whirlpool. In the U.S.A., call **1-800-253-1301**. In Canada, call **1-800-807-6777**.

8/05

Requesting Assistance or Service in U.S.A.

Identify the brand of your vent system and, as appropriate, call the KitchenAid Customer Interaction Center toll-free at 1-800-422-1230 or call the Whirlpool Customer Interaction Center toll-free at 1-800-253-1301. Our consultants are available to assist you.



When calling: Please know the purchase date, and the complete model and serial number of your appliance. This information will help us better respond to your request.

Our consultants provide assistance with:

- Features and specifications on our full line of appliances

- Installation information
- Use and maintenance procedures
- Accessory and repair parts sales
- Specialized customer assistance (Spanish speaking, hearing impaired, limited vision, etc.)
- Referrals to local dealers, service companies, and repair parts distributors

Whirlpool-designated service technicians are trained to fulfill the product warranty and provide after-warranty service, anywhere in the United States.

To locate the designated service company in your area, you can also look in your telephone directory Yellow Pages.

If you need replacement parts

If you need to order replacement parts, we recommend that you only use factory-authorized parts. These parts will fit right and work right, because they are made to the same exacting specifications used to build every new Whirlpool or KitchenAid appliance.

To locate factory-authorized parts in your area, call our Customer Interaction Center telephone number, your nearest authorized service center, or Factory Service at 1-800-442-1111.

For further assistance

If you need further assistance, you can write to Whirlpool Corporation or KitchenAid with any questions or tell us about your concerns at:

Customer Interaction Center
c/o Correspondence Dept.
2000 North M-63
Benton Harbor, MI 49022-2692

Please include a daytime phone number in your correspondence.

Requesting Assistance or Service in Canada

Call toll-free, 8:30 a.m. to 6 p.m. (EST) at 1-800-422-1230. Or contact your nearest Inglis Limited or KitchenAid Canada Appliance Service branch or designated servicing outlet (see list at right) to service your appliance.



When asking for assistance or service, please provide a detailed description of the problem, your appliance's complete model and serial numbers, and the purchase date. This information will help us respond properly to your request.

Direct service branches:

BRITISH COLUMBIA		1-800-665-6788
ALBERTA		1-800-661-6291
ONTARIO	Ottawa area	1-800-267-3456
(except 807 area code)	Outside the Ottawa area	1-800-807-6777
MANITOBA, SASKATCHEWAN and 807 area code in ONTARIO		1-800-665-1683
QUEBEC	Montreal (except South Shore)	1-800-361-3032
	South Shore Montreal	1-800-361-0950
	Quebec City	1-800-463-1523
	Sherbrooke	1-800-567-6966
ATLANTIC PROVINCES		1-800-565-1598

For further assistance

If you need further assistance, you can write to Inglis Limited or KitchenAid Canada with any questions or concerns at:

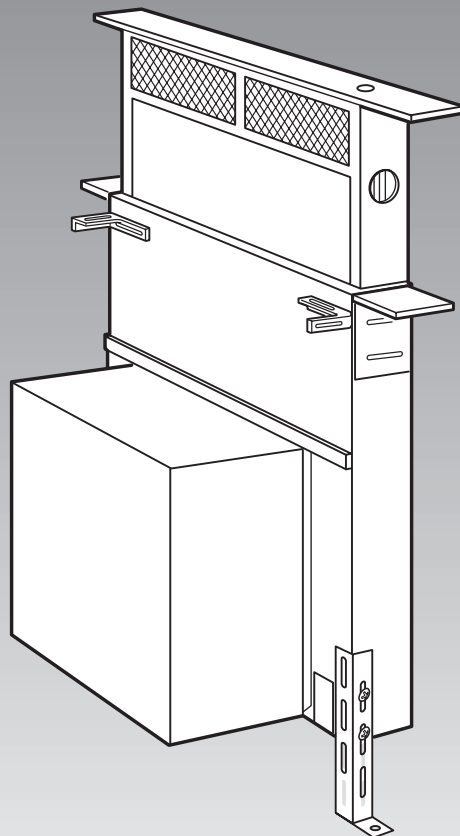
Consumer Relations Department
1901 Minnesota Court
Mississauga, Ontario L5N 3A7

Please include a daytime phone number in your correspondence.

NOTES

Instructions d'installation et Guide d'utilisation et d'entretien

**Système rétractable
d'aspiration par le bas**
76,2 cm (30 po)
91,4 cm (36 po)



IMPORTANT :
**Lire et conserver
ces instructions.**

IMPORTANT :

Installateur : Remettre les instructions d'installation au propriétaire de l'appareil.

Propriétaire : Conserver les instructions d'installation pour consultation ultérieure.

Conserver les instructions d'installation à l'intention de l'inspecteur local des installations électriques.

Pièce n° 4329225/9763381

Référence rapide

Table des matières :

Pages

2	Avant de commencer...
3	Alimentation électrique
4	Dimensions du produit
4	Dimensions du placard
5	Ouverture à découper
6	Système de décharge - Ventilateur intérieur
7 - 9	Les étapes de l'installation
9	Système de décharge - Ventilateur extérieur
10 - 11	Les étapes de l'installation
12	Utilisation et entretien
13	Accessoires

Avant de commencer...

Votre sécurité et celle des autres sont très importantes.

Nous donnons de nombreux messages de sécurité importants dans ce manuel, et sur votre appareil ménager. Assurez-vous de toujours lire tous les messages de sécurité et de vous y conformer.



Voici le symbole d'alerte de sécurité.

Ce symbole d'alerte de sécurité vous signale les dangers potentiels de décès et de blessures graves à vous et à d'autres.

Tous les messages de sécurité suivront le symbole d'alerte de sécurité et le mot "DANGER" ou "AVERTISSEMENT". Ces mots signifient :

DANGER

Risque possible de décès ou de blessure grave si vous ne suivez pas immédiatement les instructions.

AVERTISSEMENT

Risque possible de décès ou de blessure grave si vous ne suivez pas les instructions.

Tous les messages de sécurité vous diront quel est le danger potentiel et vous disent comment réduire le risque de blessure et ce qui peut se produire en cas de non-respect des instructions.

IMPORTANT : Respecter les prescriptions de tous les codes et règlements en vigueur.

Le non-respect des dispositions des codes et règlements en vigueur peut susciter incendie ou choc électrique.

C'est à l'installateur qu'incombe la responsabilité d'une installation correcte. Vérifier que tout le matériel nécessaire pour une installation correcte est disponible. C'est à l'installateur qu'incombe la responsabilité de respecter les dégagements de séparation spécifiés sur la plaque signalétique. La plaque signalétique (avec numéro de modèle et numéro de série) est située à l'avant du système d'aspiration, au-dessus de la boîte de connexion.

Évaluer l'emplacement où le système d'aspiration doit être installé.

L'emplacement d'installation doit être éloigné des sources de courants d'air comme fenêtres, portes, ventilateurs et bouches de chauffage. Avant de découper une ouverture dans un plan de travail, vérifier qu'il n'y aura aucune obstruction au niveau des placards, du dossier et du colombage du mur à l'intérieur des placards.

Assurer l'étanchéité au niveau de chaque ouverture découpée dans le plancher ou le mur pour l'installation du système d'aspiration.

Une liaison électrique entre la terre et le système est nécessaire. Voir à la page 3 "Alimentation électrique".

Lors de l'installation du système d'aspiration, on devra éliminer le tiroir du placard et installer le panneau de façade du tiroir d'une manière permanente sur le placard.

NOTE : On installe le système d'aspiration directement derrière la table de cuisson. Installer d'abord le système d'aspiration.

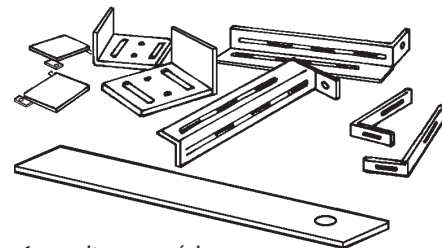
Le système d'aspiration n'est pas conçu pour l'utilisation dans une résidence mobile.

Configuration des placards : Le système d'aspiration est conçu pour être utilisé dans un placard de 61 cm (24 po) (profondeur). Pour certaines installations, un plan de travail de plus de 63,5 cm (25 po) est nécessaire. Voir le tableau de la page 5. La profondeur maximum des placards muraux est de 33 cm (13 po). Les placards muraux installés de part et d'autre du système d'aspiration doivent être placés à 45,7 cm (18 po) au-dessus de la table de cuisson.

Avant d'effectuer un découpage, consulter les instructions d'installation de la table de cuisson, et déterminer la distance minimale entre le bord avant du plan de travail et le bord avant de la table de cuisson. La distance horizontale minimale entre les placards muraux est identique à la largeur du système d'aspiration installé.

Lors de l'installation d'un système d'aspiration rétractable de 91,4 cm (36 po) avec des modules "Create-A-Cooktop", on doit installer le support optionnel à l'avant du système d'aspiration. Pour les détails, voir les étapes de l'installation.

Pièces fournies pour l'installation :



- 1 garniture supérieure
- 2 embouts
- 2 pieds de support inférieurs
- 2 brides d'appui sur comptoir
- 2 brides de fixation sous comptoir
- 1 sachet de vis et boulons
- 1 couvercle métallique
- 1 volet de réglage du tirage
- brochures
- support optionnel et deux vis - seulement pour modèles de 91,4 cm (36 po)

Pièces nécessaires pour l'installation :

- 2 connecteurs de conduit 12,7 mm (1/2 po) - homologation U.L. ou ACNOR ; (3 connecteurs sont nécessaires si le moteur monté à l'extérieur est utilisé)
- 1 capuchon bouche de décharge murale pour moteur monté à l'intérieur
- système d'aspiration
- câble d'alimentation
- câble d'alimentation pour ventilateur monté à distance (option)

Outillage nécessaire pour l'installation :

- lunettes de sécurité
- gants
- scie sauteuse ou scie à chantourner
- perceuse et mèche à bois 1/9 po
- crayon
- mètre-ruban
- tournevis lame plate
- tournevis Philips
- clé à cliquet avec douille 9,5 mm (3/8 po)
- niveau
- pince
- cisaille de ferblantier
- pince à dénuder ou couteau utilitaire
- pistolet d'application pour produits de calfeutrage et d'étanchéité
- ruban adhésif pour conduits

Alimentation électrique

IMPORTANT : Respecter les prescriptions de tous les codes et règlements en vigueur.

C'est au client qu'incombe la responsabilité de :

- Contacter un électricien qualifié pour l'installation.
- Veiller à ce que l'installation électrique soit réalisée d'une manière adéquate et en conformité avec les prescriptions du Code national des installations électriques ANSI/NFPA 70 - dernière édition*, ou des normes ACNOR C22.1.94 / Code canadien des installations électriques (partie 1) et C22.2 N° 0-M91 - dernière édition**, et avec les prescriptions de tous les codes et règlements locaux en vigueur.

Si un conducteur distinct de liaison à la terre est utilisé lorsque le code le permet, on recommande qu'un électricien qualifié vérifie que la liaison à la terre est adéquate.

Ne pas utiliser une tuyauterie de gaz pour la liaison à la terre.

En cas d'incertitude quant à la qualité de la liaison à la terre de la hotte, consulter un électricien qualifié.

Ne pas installer un fusible en série avec le conducteur neutre ou le conducteur de liaison à la terre.

IMPORTANT : Conserver les instructions d'installation à l'intention de l'inspecteur local des installations électriques.

A. Le système d'aspiration doit être alimenté par un circuit indépendant 120 volts, 60 Hz, CA seulement, 15 A. On recommande l'emploi de fusibles ou disjoncteurs temporisés. La capacité de protection du fusible doit satisfaire les prescriptions du code local et être compatible avec la demande de courant de l'appareil indiquée sur la plaque signalétique placée à l'avant du système d'aspiration, au-dessus du couvercle de la boîte de connexion.

B. Le système d'aspiration vers le bas doit être raccordé uniquement avec des conducteurs de cuivre.

C. Le calibre des conducteurs et les connexions doivent satisfaire les prescriptions du Code national des installations électriques ANSI/NFPA 70 - dernière édition*, ou des normes ACNOR C22.1.94 / Code canadien des installations électriques (partie 1) et C22.2 N° 0-M91 - dernière édition**, et les prescriptions de tous les codes et règlements locaux en vigueur.

AVERTISSEMENT – POUR RÉDUIRE LES RISQUE D'INCENDIE, CHOC ÉLECTRIQUE OU BLESSURE, RESPECTER LES INSTRUCTIONS SUIVANTES :

Le travail d'installation et de câblage électrique doit être exécuté par des personnes compétentes et en conformité avec les prescriptions des normes et codes applicables, ceci incluant les normes de résistance au feu des éléments de construction. La disponibilité d'un volume d'air approprié pour l'alimentation de l'équipement à combustion et l'évacuation des gaz de combustion par la cheminée pour qu'il n'ait pas de reflux est nécessaire. Respecter les directives du fabricant de l'équipement de chauffage et les normes de sécurité, publiées par des organismes comme la National Fire Protection Association (NFPA), et la American Society of Heating Refrigeration and Air Conditioning Engineers (ASHRAE), et par les autorités réglementaires locales.

Lors de toute opération de découpage ou de perçage dans une cloison ou un plafond, veiller à ne pas endommager les câbles électriques et canalisations qui peuvent s'y trouver.

Le conduit de décharge associé à un ventilateur doit se terminer à l'extérieur.

AVERTISSEMENT – Pour réduire le risque d'incendie, utiliser uniquement des conduits métalliques. Cet appareil doit être relié à la terre.

D. Le système d'aspiration vers le bas devrait être raccordé directement au coupe-circuit avec fusible ou disjoncteur par l'intermédiaire d'un câble flexible de conducteurs de cuivre, à blindage métallique ou à gaine non métallique. Veiller à ajouter une longueur de câble suffisante pour qu'il soit possible de déplacer l'appareil lors de toute intervention d'entretien.

E. Un connecteur de conduit de 12,7 mm (1/2 po) (homologation UL ou ACNOR) doit être installé à chaque extrémité du câble d'alimentation (sur le système d'aspiration et sur la boîte de connexion).

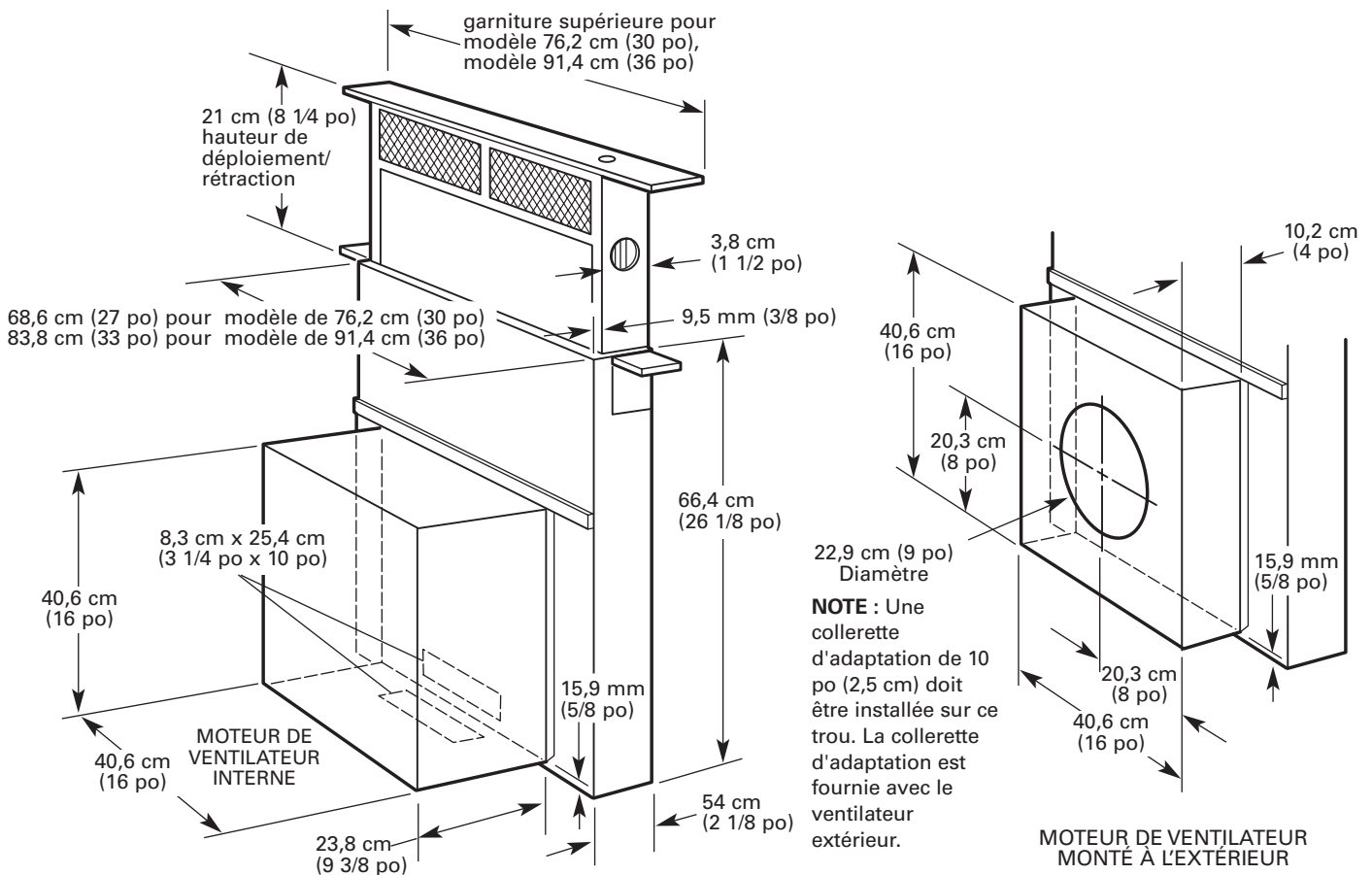
F. Un schéma de câblage accompagne l'appareil ; on le trouve au-dessus du couvercle de la boîte de connexion.

On peut se procurer un exemplaire des normes mentionnées aux adresses suivantes :

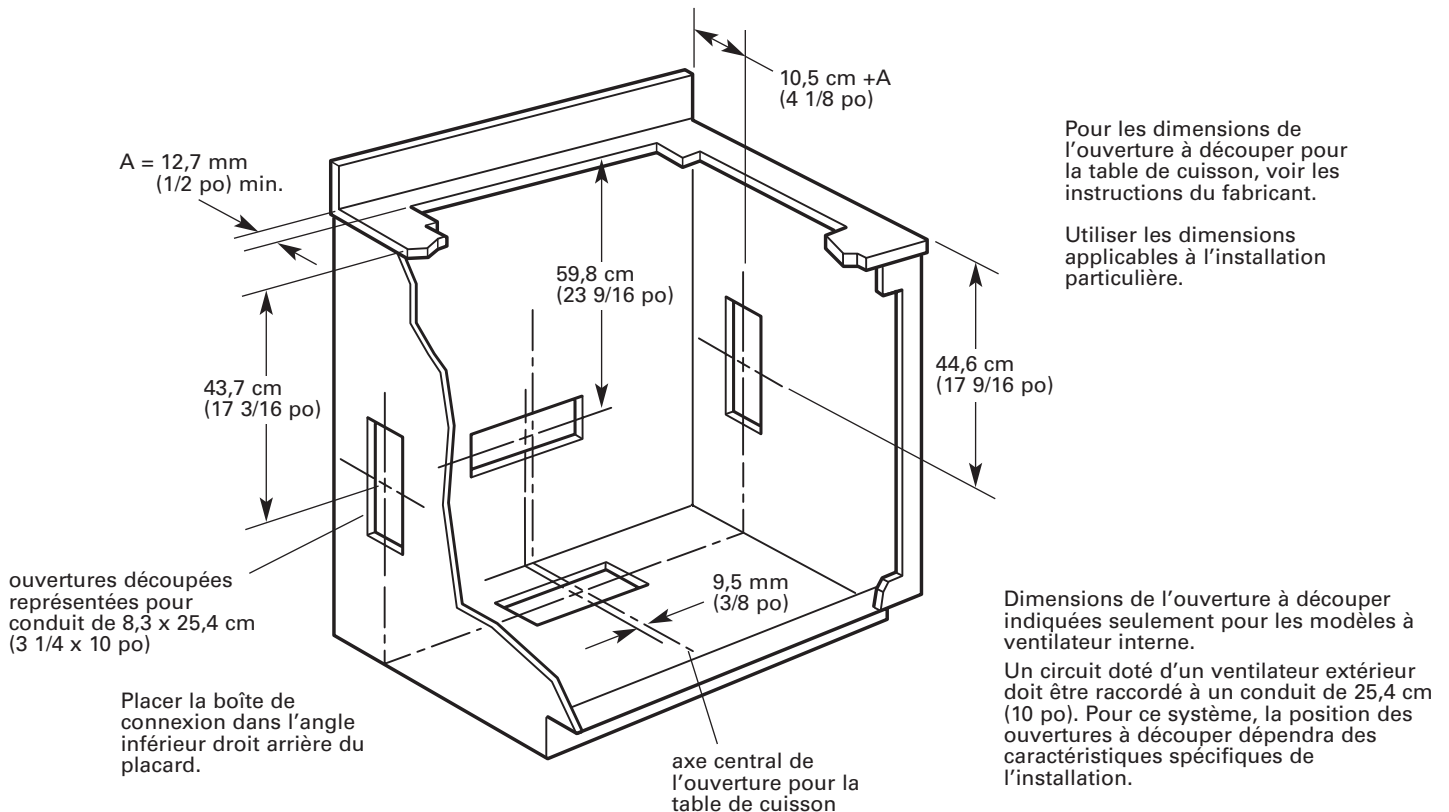
* National Fire Protection Association
One Batterymarch Park
Quincy, Massachusetts 02269

** CSA International
8501 East Pleasant Valley Rd.
Cleveland, Ohio 44131-5575

Dimensions du produit



Dimensions du placard



Dimensions de l'ouverture à découper pour la table de cuisson

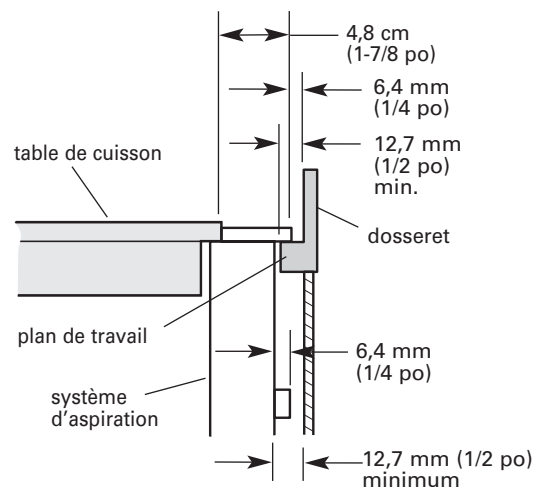
69,9 cm (27 1/2 po) pour modèle de 76,2 cm (30 po)
85,1 cm (33 1/2 po) pour modèle de 91,4 cm (36 po)

Pour certains modèles, on doit avoir un plan de travail de plus de 63,5 cm (25 po); voir les dimensions de l'ouverture dans le tableau ci-dessous.

A = 12,7 mm (1/2 po) min.

Voir les dimensions dans le tableau ci-dessous.

axe central de l'ouverture à découper pour la table de cuisson



Pour éviter toute erreur, on recommande de tracer sur le plan de travail avant le découpage les ouvertures nécessaires pour la table de cuisson et le système d'aspiration.

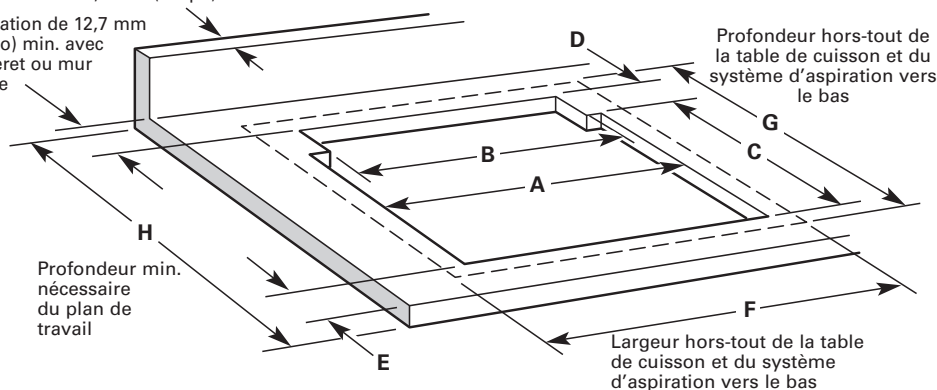
Pour les détails de l'installation et toutes les dimensions à respecter, voir les instructions d'installation de la table de cuisson.

IMPORTANT : Pour ces installations, un plan de travail avec rebord avant est déconseillé.

NOTE : Avec le circuit d'aspiration par le bas rétractable, utiliser uniquement un système avec ventilateur monté à l'extérieur KPEC992M [900 cfm (25,5 m³/m)].

épaisseur du dosseret 19,1 mm (3/4 po) max.

séparation de 12,7 mm (1/2 po) min. avec dosseret ou mur arrière



Modèles de table de cuisson	Taille de la table de cuisson	Modèles de systèmes d'aspiration	A	B	C	D	E	F	G	H
KGCS105G	(76,2 cm) 30 po	KIRD801HSS KIRD802HSS	(73,7 cm) 29 po	(69,9 cm) 27-1/2 po	(49,8 cm) 19-5/8 po	(5,4 cm) 2-1/8 po	(4,4 cm) 1-3/4 po	(79,7 cm) 31-3/8 po	(58,4 cm) 23 po	(63,5 cm) 25 po
KECC502G* KECC507G* KECC507K* KECC508G* KECC508M*	(76,2 cm) 30 po	KIRD801HSS KIRD802HSS	(74,9 cm) 29-1/2 po	(69,9 cm) 27-1/2 po	(52,1 cm) 20-1/2 po	(5,4 cm) 2-1/8 po	(5,1 cm) 2 po	(80,0 cm) 31-1/2 po	(59,1 cm) 23-1/4 po	(65,7 cm) 25-7/8 po
KECS100G*	(76,2 cm) 30 po	KIRD801HSS KIRD802HSS	(73,3 cm) 28-7/8 po	(69,9 cm) 27-1/2 po	(48,3 cm) 19 po	(6,4 cm) 2-1/2 po	(8,6 cm) 3-3/8 po	(80,0 cm) 31-1/2 po	(58,4 cm) 23 po	(65,1 cm) 25-5/8 po
GLT3014G GLT3034L SCS3004G SCS3004L SCS3014G SCS3014L	(76,2 cm) 30 po	GZ7730XGS GZ7930XGS GZ7930XHS	(73,7 cm) 29 po	(69,9 cm) 27-1/2 po	(49,8 cm) 19-5/8 po	(5,4 cm) 2-1/8 po	(4,4 cm) 1-3/4 po	(79,7 cm) 31-3/8 po	(58,4 cm) 23 po	(63,5 cm) 25 po
RCC3024G* RCC3024L* GJC3034G* GJC3034L*	(76,2 cm) 30 po	GZ7730XGS GZ7930XGS GZ7930XHS	(74,9 cm) 29-1/2 po	(69,9 cm) 27-1/2 po	(52,1 cm) 20-1/2 po	(5,1 cm) 2 po	(5,1 cm) 2 po	(76,2 cm) 30 po	(58,4 cm) 23 po	(65,4 cm) 25-3/4 po
RCS3004G* RCS3014L* RCS3014G* RCS3014L* YRCS3014G* YRCS3014L*	(76,2 cm) 30 po	GZ7730XGS GZ7930XGS GZ7930XHS	(73,3 cm) 28-7/8 po	(69,9 cm) 27-1/2 po	(48,3 cm) 19 po	(6,4 cm) 2-1/2 po	(7,6 cm) 3 po	(80,0 cm) 31-1/2 po	(58,4 cm) 23 po	(64,8 cm) 25-1/2 po

KGCS166G	(91,4 cm) 36 po	KIRD861HSS KIRD862HSS	(89,5 cm) 35-1/4 po	(85,9 cm) 33-1/2 po	(49,8 cm) 19-5/8 po	(5,4 cm) 2-1/8 po	(4,4 cm) 1-3/4 po	(95,3 cm) 37-1/2 po	(58,4 cm) 23 po	(63,5 cm) 25 po
KECC562G* KECC567G* KECC568G*	(91,4 cm) 36 po	KIRD861HSS KIRD862HSS	(90,2 cm) 35-1/2 po	(85,9 cm) 33-1/2 po	(52,1 cm) 20-1/2 po	(5,4 cm) 2-1/8 po	(5,1 cm) 2 po	(95,3 cm) 37-1/2 po	(59,1 cm) 23-1/4 po	(68,3 cm) 26-7/8 po
KECS161G*	(91,4 cm) 36 po	KIRD861HSS KIRD862HSS	(88,9 cm) 35 po	(85,9 cm) 33-1/2 po	(48,3 cm) 19 po	(6,4 cm) 2-1/2 po	(8,6 cm) 3-3/8 po	(95,6 cm) 37-5/8 po	(58,4 cm) 23 po	(65,1 cm) 25-5/8 po
GLT3614XG GLT3634XL	(91,4 cm) 36 po	GZ7736XGS GZ7936XGS GZ7936XHS	(89,5 cm) 35-1/4 po	(85,9 cm) 33-1/2 po	(49,8 cm) 19-5/8 po	(5,4 cm) 2-1/8 po	(4,4 cm) 1-3/4 po	(93,0 cm) 36-5/8 po	(58,4 cm) 23 po	(63,5 cm) 25 po
GJC3634G* GJC3634L*	(91,4 cm) 36 po	GZ7736XGS GZ7936XGS GZ7936XHS	(90,2 cm) 35-1/2 po	(85,9 cm) 33-1/2 po	(52,1 cm) 20-1/2 po	(5,1 cm) 2 po	(5,1 cm) 2 po	(91,4 cm) 36 po	(58,4 cm) 23 po	(65,4 cm) 25-3/4 po
RCS3614G* RCS3614L*	(91,4 cm) 36 po	GZ7736XGS GZ7936XGS GZ7936XHS	(88,9 cm) 35 po	(85,9 cm) 33-1/2 po	(48,3 cm) 19 po	(6,4 cm) 2-1/2 po	(7,6 cm) 3 po	(95,6 cm) 37-5/8 po	(58,4 cm) 23 po	(65,1 cm) 25-5/8 po

*L'installation avec un système d'aspiration nécessite la présence d'un plan de travail de plus de 63,5 cm (25 po) et de placards de plus de 61 cm (24 po).

Prescriptions concernant le système d'évacuation

Le système doit décharger l'air à l'extérieur.

Ne pas terminer le conduit d'évacuation au-dessus d'un plafond ou dans un autre espace fermé.

Ne pas utiliser une bouche de décharge murale de 10,2 cm (4 po) normalement utilisée pour un équipement de buanderie.

Ne pas utiliser de conduit flexible métallique ou de plastique.

Les conduits nécessaires ne sont pas fournis.

Une bouche de décharge n'est pas fournie avec le moteur monté à l'intérieur.

Déterminer la méthode d'évacuation à utiliser. Le circuit d'évacuation doit acheminer l'air évacué à l'extérieur, à travers le mur ou à travers le toit.

Minimiser la longueur du circuit et le nombre de coudes afin de maximiser la performance.

La taille du conduit d'évacuation doit être uniforme.

Ne pas raccorder deux coudes ensemble.

Au niveau de chaque jointure du système de décharge, assurer l'étanchéité avec du ruban adhésif pour conduit.

Au point de passage de la bouche de décharge à travers le plancher ou le mur, assurer l'étanchéité avec un produit de calfeutrage.

Ne pas couper les solives ou les poteaux du colombage. Si un poteau ou une solive se trouve à l'endroit de passage du conduit d'évacuation, on doit construire une structure de support.

On déconseille l'emploi de conduit d'évacuation flexible. En cas d'utilisation de conduit d'évacuation flexible, on doit tenir compte du fait que la longueur effective de un pied de conduit flexible correspond à 61 cm (2 pi) de conduit métallique rigide. La longueur effective d'un coude de conduit flexible est le double de la longueur effective d'un coude standard.

NOTE : Avant de découper les ouvertures de passage du conduit d'évacuation, vérifier que les dégagements de sécurité appropriés seront respectés dans le mur ou le plancher.

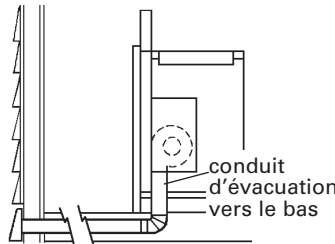
Longueur recommandée pour le conduit d'évacuation

Dans le cas d'un ventilateur monté à l'intérieur ou à l'extérieur, la longueur effective totale du conduit d'évacuation ne doit pas dépasser la valeur maximale indiquée dans le tableau "Longueur maximale du conduit d'évacuation". (Voir le tableau de cette page pour un ventilateur monté à l'intérieur ; voir la page 9 pour un ventilateur monté à l'extérieur.)

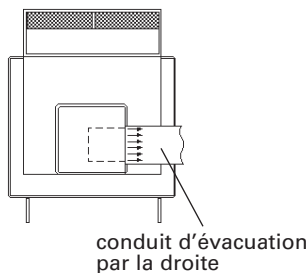
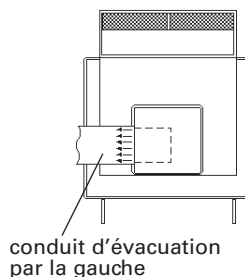
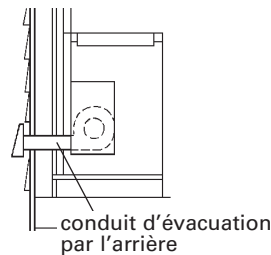
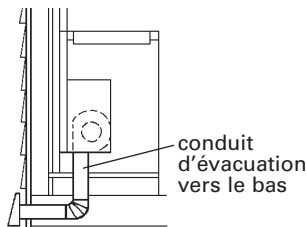
Moteur d' ventilateur monté à l'intérieur

Exigences de l'installation

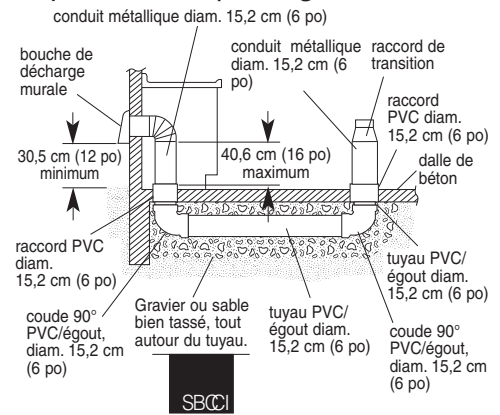
Installation sur un îlot



Installation dans un placard

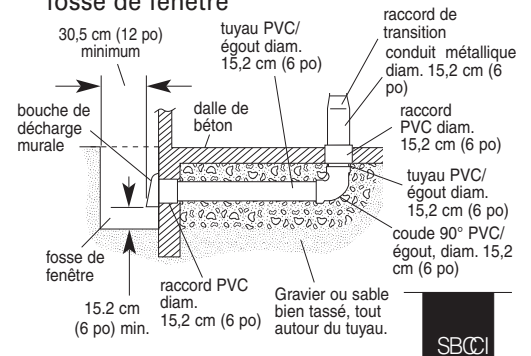


Circuit d'évacuation installé sous une dalle de béton (utilisation de tuyaux de PVC pour égout)



Option - Circuit d'évacuation installé sous une dalle de béton, dans une fosse de fenêtre.

Ne pas décharger les gaz de combustion d'une table de cuisson à gaz dans une fosse de fenêtre



Obturer avec un produit de calfeutrage l'espace autour de la bouche de décharge murale à l'intérieur du raccord de PVC.

Longueur maximale du conduit d'évacuation

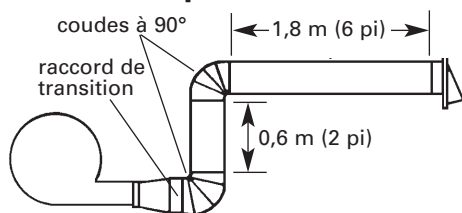
Conduit	Longueur
Diam. 15,2 cm (6 po)	8,9 m (35 pieds)
8,3 cm x 25,4 cm (3 1/4 x 10 po)	8,9 m (35 pieds)

Pour obtenir la meilleure performance, ne pas incorporer plus de trois coudes à 90°. S'il y a plus de un coude, veiller à ce que deux coudes soient séparés par une section rectiligne d'au moins 61 cm (24 po). Ne pas connecter deux coudes ensemble. On recommande l'emploi de conduit rond plutôt que rectangulaire, particulièrement s'il est nécessaire d'incorporer des coudes. Si l'emploi d'une section de conduit rectangulaire est nécessaire, effectuer la transition dès que c'est possible avec du conduit rond de diam. 15,2 cm (6 po).

Détermination de la longueur nécessaire du système :

Pour calculer la longueur effective du système de décharge, on doit tenir compte de la longueur équivalente de chaque composant du système. Voir l'exemple pour un circuit d'évacuation de conduit rond de diam. 15,2 cm (6 po).

Circuit d'évacuation de conduit rond, diam. 15,2 cm (6 po)



Longueur maximum = 8,9 m (35 pi)

1 - bouche de décharge murale	= 0 m	(0 pi)
2,4 m (8 pi) section rectiligne	= 2,4 m	(8 pi)
2 coudes à 90°	= 3 m	(10 pi)
Raccord de transition	= 1,4 m	(4,5 pi)
Longueur effective totale de conduit de diam. 15,2 cm (6 po)	= 6,8 m	(22,5 pi)

Raccords standard recommandés

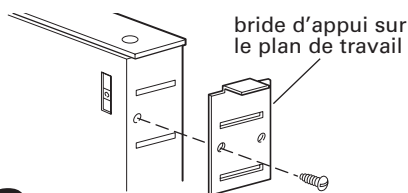
transition 8,3 cm x 25,4 cm (3 1/4 x 10 po) à diam. 15,2 cm (6 po) = 1,4 m (4,5 pi)	transition diam. 15,2 cm (6 po) à 8,3 cm x 25,4 cm (3 1/4 x 10 po) = 0,3 m (1 pi)	
Coude à 90° de transition 8,3 cm x 25,4 cm (3 1/4 x 10 po) à diam. 15,2 cm (6 po) = 1,5 m (5 pi)	Coude à 90° de transition diam. 15,2 cm (6 po) à 8,3 cm x 25,4 cm (3 1/4 x 10 po) = 1,5 m (5 pi)	
Coude à 90° = 1,5 m (5 pi)	Coude à 45° = 0,8 m (2,3 pi)	Bouche à décharge murale diam. 6 po = 0 m (0 pi)

Étapes de l'installation

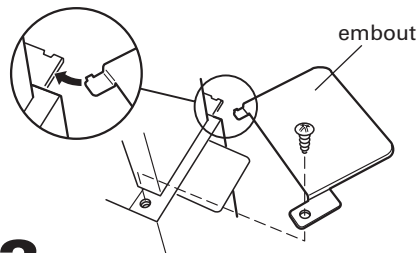
⚠ AVERTISSEMENT

Risque de poids excessif
Utiliser deux ou plus de personnes pour déplacer et installer système d'aspiration par le bas.
Le non-respect de cette instruction peut causer une blessure au dos ou d'autres blessures.

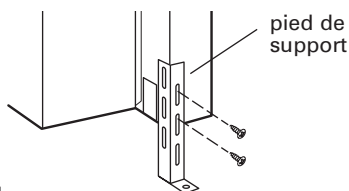
1. Porter des gants et des lunettes de sécurité. Placer une feuille de carton ou un autre matériau de protection sur une surface plane pour l'assemblage du circuit d'évacuation. Retirer de l'emballage les sachets de pièces, le circuit d'aspiration par le bas et la boîte du ventilateur; placer ces composants sur une surface protégée. Retirer du système d'aspiration et du ventilateur tous les matériaux d'emballage, rubans adhésifs et films de protection.



2. Fixer sur le système d'aspiration les brides d'appui sur le plan de travail (côté gauche et côté droit). Utiliser 1 vis pour chaque bride.



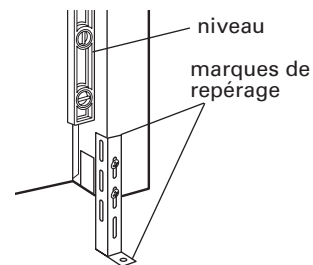
3. Fixer sur le système d'aspiration les embouts de gauche et de droite). Utiliser 1 vis pour chaque embout.



4. Fixer les pieds de support sur les côtés du système d'aspiration; utiliser 2 vis pour chaque pied. Ne pas serrer les vis.



5. Insérer prudemment le système d'aspiration dans l'ouverture découpée dans le plan de travail. On recommande que deux personnes participent à cette opération, du fait du poids du système. Veiller à placer le système d'aspiration parallèlement aux côtés de l'ouverture découpée; les brides de montage doivent prendre appui sur le plan de travail.



6. Faire descendre les pieds jusqu'au plancher du placard. Placer un niveau contre l'avant de la base du système d'aspiration; ajuster selon le besoin pour que le système soit parfaitement vertical. Avec un crayon, marquer le sommet de chaque pied sur le système d'aspiration. Marquer ensuite la position des trous des pieds de support sur le plancher du placard. Retirer le système d'aspiration de l'ouverture découpée. Percer des avant-trous à l'emplacement de chaque vis sur le plancher du placard. Aligner le sommet des pieds avec les marques de crayon sur la surface du circuit d'aspiration. Serrer les vis de fixation des pieds.

7. Déterminer la direction de décharge de l'air par le ventilateur installé dans le placard (vers le bas, vers l'arrière, vers la gauche ou vers la droite).

Décharge vers le bas :

Le système d'aspiration est configuré à l'usine pour la décharge vers le bas; par conséquent, aucune modification n'est nécessaire. Passer à l'étape 8.

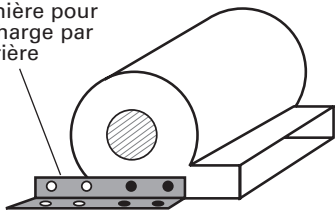
Décharge par la gauche et par la droite :

- Ôter les 4 écrous hex. fixant la boîte du ventilateur sur la base du système d'aspiration. Ôter le ventilateur.
- Faire pivoter le ventilateur de 90° vers la gauche ou vers la droite pour que la sortie du ventilateur coïncide avec la direction de décharge désirée.
- Fixer de nouveau la boîte du ventilateur sur la base du système d'aspiration avec 4 écrous hex.

Décharge vers l'arrière :

- Ôter les 4 écrous hex. fixant la boîte du ventilateur sur la base du système d'aspiration. Ôter le ventilateur.
- Noter la configuration d'installation du câble d'alimentation sous les agrafes de plastique à l'intérieur de la base du système. Extraire prudemment le câble des agrafes de plastique. Débrancher le câble du ventilateur.
- Ôter les 6 vis Phillips fixant le ventilateur dans sa boîte. Ôter le ventilateur.

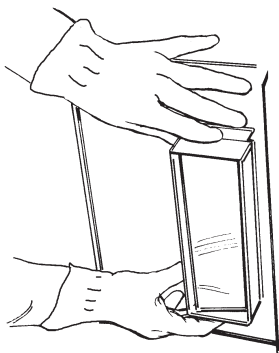
cornière pour
décharge par
l'arrière



- d. Ôter les vis fixant les cornières sur chaque côté du ventilateur. Modifier la position des cornières (voir l'illustration) ; réinstaller les vis.
- e. Fixer de nouveau le ventilateur dans sa boîte; la bouche de décharge du ventilateur doit être orientée vers le côté ouvert de la boîte. Fixer le ventilateur dans sa boîte avec les 6 vis Phillips.

NOTE : Pour que l'appareil fonctionne correctement, il faut que le cadre métallique soit fixé à la bouche de décharge du ventilateur.

- f. Prendre le couvercle métallique dans le sachet de pièces; fixer celui-ci sur l'orifice de décharge vers le bas dans la boîte du ventilateur. Enlever l'opercule arrachable de l'orifice arrière, à l'arrière de la base du système d'aspiration.
- g. Reconnecter le câble d'alimentation du ventilateur. Immobiliser le câble dans les 2 agrafes de plastique à l'intérieur de la base. Il faut que le câble soit convenablement immobilisé dans les 2 agrafes (voir l'étape b.) Fixer de nouveau la boîte du ventilateur sur la base du système d'aspiration, avec 4 écrous hex.



- 8.** Fixer le volet de réglage de l'aspiration avec 2 vis Phillips, sur l'ouverture de la boîte du ventilateur.

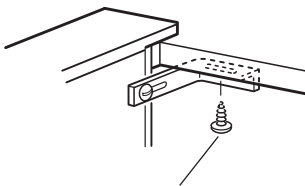
- 9.** Ôter les 2 vis Phillips fixant le couvercle de la boîte de connexion. Déterminer la direction d'arrivée du câble à la boîte de connexion (par l'arrière ou par le bas). Aligner le sommet des pieds avec les marques de crayon sur la surface du circuit d'aspiration.

⚠ AVERTISSEMENT

Risque de poids excessif
Utiliser deux ou plus de personnes pour déplacer et installer système d'aspiration par le bas.

Le non-respect de cette instruction peut causer une blessure au dos ou d'autres blessure.

- 10.** Insérer prudemment le système d'aspiration dans l'ouverture découpée dans le plan de travail. On recommande que deux personnes participent à cette opération, du fait du poids du système. Positionner le système d'aspiration pour qu'il soit centré dans l'ouverture découpée et parallèle aux bords de l'ouverture découpée; veiller à la verticalité du système d'aspiration. Fixer les pieds de support sur le plancher du placard.



Lors de la pose des brides de fixation (sous le plan de travail) sur la face inférieure du plan de travail, veiller à ne pas utiliser des vis trop longues qui pourraient perforer le plan de travail lors du serrage.

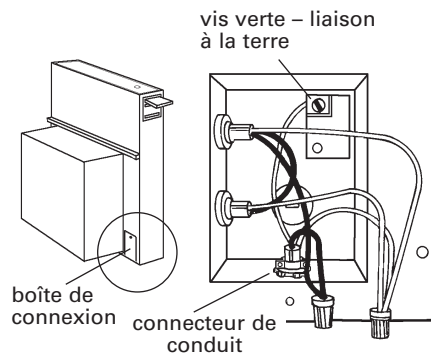
- 11.** Fixer l'une des brides de fixation sous le plan de travail au niveau de l'angle avant supérieur droit du système d'aspiration (placer la fente sur le trou de montage et l'autre section de la bride contre le plan de travail). Fixer l'autre bride de la même manière sur le côté gauche du système d'aspiration. Percer prudemment des avant-trous dans la face inférieure du plan de travail (à travers les brides de fixation). Insérer des vis de longueur appropriée dans les trous; serrer les brides contre le plan de travail.

⚠ AVERTISSEMENT



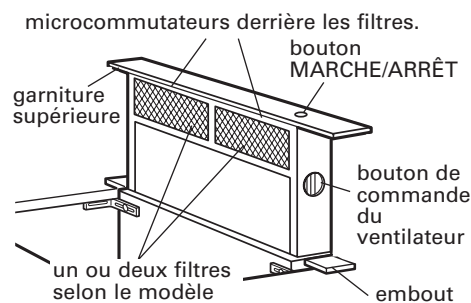
Risque de choc électrique
Déconnecter la source de courant électrique avant l'entretien.
Connecter le conducteur de liaison à la terre avec la vis verte dans la boîte de connexion.
Le non-respect de ces instructions peut provoquer un choc électrique ou un accident mortel.

- 12.** Déconnecter la source de courant électrique.



- 13.** Arracher l'opercule approprié et installer le connecteur de conduit. Insérer le câble d'alimentation dans la boîte de connexion à travers le connecteur de conduit. Raccorder ensemble les conducteurs blancs avec un connecteur de fils. Raccorder ensemble les conducteurs noirs avec un connecteur de fils. Connecter le conducteur vert (ou vert et jaune) avec cosse ronde sous la vis verte de liaison à la terre. Serrer les vis de bridage du connecteur de conduit. Réinstaller le couvercle de la boîte de connexion.

- 14.** Reconnecter la source de courant électrique.



- 15.** Mettre le système d'aspiration sous tension.

Appuyer/maintenir la pression pendant quelques secondes sur le bouton de commande au sommet du système d'aspiration. La section rétractable du système se soulève et le ventilateur se met en marche. Positionner la garniture supérieure sur la section rétractable; emboîter la garniture en place.

16. Faire tourner le bouton de commande sur le côté du système d'aspiration pour contrôler le fonctionnement de la vitesse du ventilateur.

Si le ventilateur ne fonctionne pas :

- Vérifier que les filtres sont complètement enfoncés dans leur logement.

- Vérifier que le circuit est alimenté (disjoncteur ouvert ou grillé?).
- Déconnecter la source d'alimentation; vérifier que le câblage est correct.

17. Raccorder le circuit d'évacuation au ventilateur. Le circuit d'évacuation doit comporter à l'extrémité une bouche de décharge à travers le mur ou le toit. Utiliser du ruban adhésif pour conduit pour assurer l'étanchéité au niveau de chaque jointure.

18. Installer la table de cuisson conformément aux instructions du fabricant. Veiller à ce que l'arrière de la table de cuisson chevauche de 9,5 mm (3/8 po) le bord du système d'aspiration rétractable.

Pour obtenir la plus grande efficacité du système d'aspiration rétractable, lire la section Information d'utilisation et entretien à la page 12. Conserver les instructions d'installation et l'information d'utilisation et entretien en lieu sûr pour consultation.

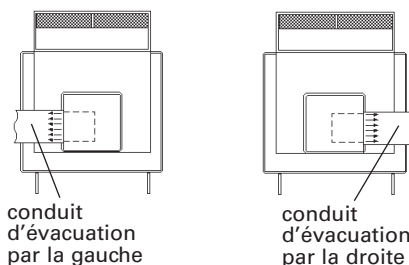
Moteur de ventilateur monté à l'extérieur

MODÈLES KIRD et YKIRD SEULEMENT

NOTE : Une installation avec ventilateur monté à l'extérieur nécessite l'emploi du ventilateur modèle n° KPEC992M [900 cfm (25,5 m³/m)], disponible chez les revendeurs et fournisseurs de pièces agréés.

IMPORTANT : On ne peut utiliser avec ce circuit d'aspiration par le bas rétractable le ventilateur extérieur modèle n° KPEU722M [1200 cfm (34 m³/m)].

Installation dans un placard

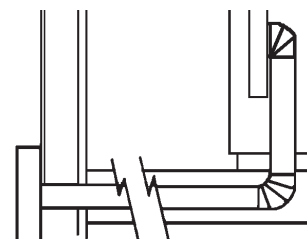


61 cm (24 po). Ne pas connecter deux coudes ensemble. On recommande l'emploi de conduit rond plutôt que rectangulaire, particulièrement s'il est nécessaire d'incorporer des coudes. Si l'emploi d'une section de conduit rectangulaire est nécessaire, effectuer la transition dès que c'est possible avec du conduit rond de diam. 25,4 cm (10 po).

Détermination de la longueur nécessaire du système :

Pour calculer la longueur effective du système de décharge, on doit tenir compte de la longueur équivalente de chaque composant du système. Voir l'exemple pour un circuit d'évacuation de conduit rond de diam. 25,4 cm (10 po).

Circuit d'évacuation de conduit rond, diam. 25,4 cm (10 po)



Longueur maximale = 16,8 m (55 pi)

2 coudes à 90° = 3.05 m (10 pi)

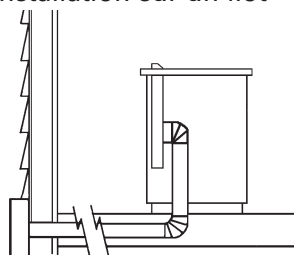
3 m (10 pi) sectio rectiligne = 3.05 m (10 pi)

Longueur effective totale de conduit de diam. 25,4 cm (10 po) = 6,1 m (20 pi)

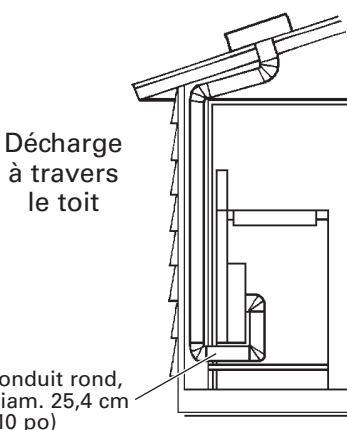
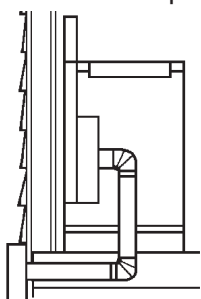
NOTE : Le moteur de ventilateur monté à l'extérieur nécessite un câble d'alimentation distinct que l'on doit installer en même temps que le circuit d'évacuation.

Exigences de l'installation

Installation sur un îlot



Installation dans un placard



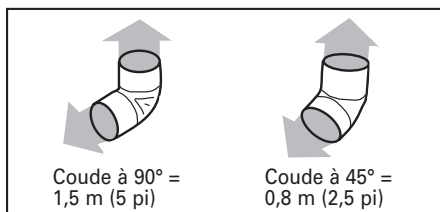
Longueur maximale du conduit d'évacuation

Conduit	Longueur
Diam. 25,4 cm (10 po)	12,2 m (40 pieds)

La longueur du circuit d'évacuation n'est indiquée que pour référence générale. Pour un circuit d'évacuation plus long ou plus court, contacter un installateur qualifié et compétent. Le cas échéant, consulter les codes locaux au sujet des besoins de renouvellement de l'air.

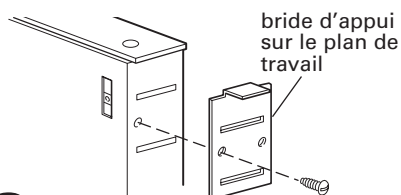
Pour obtenir la meilleure performance, ne pas incorporer plus de trois coudes à 90°. S'il y a plus de un coude, veiller à ce que deux coudes soient séparés par une section rectiligne d'au moins

Raccords standard recommandés

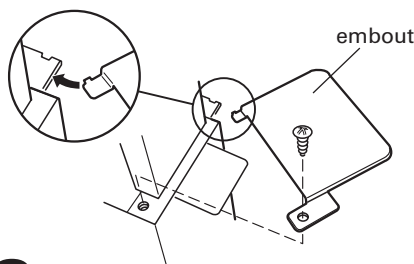


Étapes de l'installation

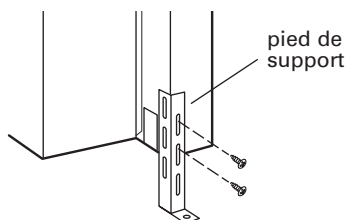
1. Porter des gants et des lunettes de sécurité. Placer une feuille de carton ou un autre matériau de protection sur une surface plane pour l'assemblage du circuit d'évacuation. Retirer de l'emballage les sachets de pièces, le système d'aspiration et le ventilateur. Retirer du système d'aspiration et du ventilateur tous les matériaux d'emballage, rubans adhésifs et films de protection.



2. Fixer sur le système d'aspiration les brides d'appui sur le plan de travail (côté gauche et côté droit). Utiliser 1 vis pour chaque bride.



3. Fixer sur le système d'aspiration les embouts de gauche et de droite. Utiliser 1 vis pour chaque embout.



4. Fixer les pieds de support sur les côtés du système d'aspiration; utiliser 2 vis pour chaque pied. Ne pas serrer les vis.

⚠ AVERTISSEMENT

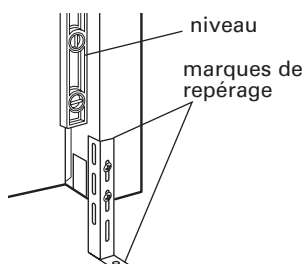
Risque de poids excessif

Utiliser deux ou plus de personnes pour déplacer et installer système d'aspiration par le bas.

Le non-respect de cette instruction peut causer une blessure au dos ou d'autres blessure.



5. Insérer prudemment le système d'aspiration dans l'ouverture découpée dans le plan de travail. On recommande que deux personnes participent à cette opération, du fait du poids du système. Veiller à placer le système d'aspiration parallèlement aux côtés de l'ouverture découpée; les brides de montage doivent prendre appui doucement sur le plan de travail.



6. Faire descendre les pieds jusqu'au plancher du placard. Placer un niveau contre l'avant de la base du système d'aspiration; ajuster selon le besoin pour que le système soit parfaitement vertical. Avec un crayon, marquer le sommet de chaque pied sur le système d'aspiration. Marquer ensuite la position des trous des pieds de support sur le plancher du placard. Retirer le système d'aspiration de l'ouverture découpée. Percer des avant-trous à l'emplacement de chaque vis sur le plancher du placard. Aligner le sommet des pieds avec les marques de repérage tracées au crayon sur le système d'aspiration. Serrer les vis de fixation des pieds.

7. Fixer le volet de réglage (fourni avec le ventilateur extérieur) à l'avant du système d'aspiration par le bas, avec 4 écrous hex. à embase.

8. Ôter les 2 vis Phillips fixant le couvercle de la boîte de connexion. Arracher l'opercule arrachable de l'arrière ou du fond et installer le connecteur de conduit.

NOTE: Le câble d'alimentation à installer entre le ventilateur extérieur et la boîte de connexion du ventilateur n'est pas fourni.

9. Déterminer l'emplacement d'installation du ventilateur extérieur. Découper dans le toit ou le mur l'ouverture de passage du conduit d'évacuation. Installer le ventilateur extérieur conformément aux instructions fournies avec le ventilateur.

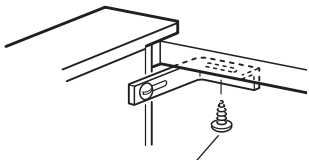
Installation murale

- Appliquer un composé de calfeutrage entre la bride de montage et le mur.

Installation sur le toit

- Appliquer les procédures standard applicables aux couvertures.
- La feuille de solin doit être centrée sur l'ouverture du toit.
- La rive inférieure du solin doit reposer par-dessus les bardeaux et la rive supérieure doit être sous les bardeaux.
- Utiliser du mastic à toiture pour assurer l'étanchéité entre toit, ventilateur et tôle de garniture, pour empêcher les fuites.

10. Insérer prudemment le système d'aspiration dans l'ouverture découpée dans le plan de travail. On recommande que deux personnes participent à cette opération, du fait du poids du système. Positionner le système d'aspiration pour qu'il soit centré dans l'ouverture découpée et parallèle aux bords de l'ouverture découpée; veiller à la verticalité du système d'aspiration. Fixer les pieds de support sur le plancher du placard.



Lors de la pose des brides de fixation (sous le plan de travail) sur la face inférieure du plan de travail, veiller à ne pas utiliser des vis trop longues qui pourraient perforer le plan de travail lors du serrage.

11. Fixer l'une des brides de fixation sous le plan de travail au niveau de l'angle avant supérieur droit du système d'aspiration (placer la fente sur le trou de montage et l'autre section de la bride contre le plan de travail). Fixer l'autre bride de la même manière sur le côté gauche du système d'aspiration. Percer prudemment des avant-trous dans la face inférieure du plan de travail (à travers les brides de fixation). Insérer des vis de longueur appropriée dans les trous; serrer les brides contre le plan de travail.

⚠ AVERTISSEMENT



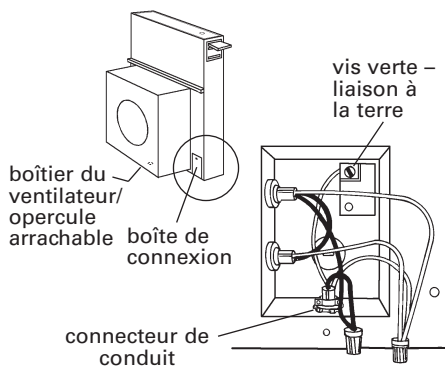
Risque de choc électrique

Déconnecter la source de courant électrique avant l'entretien.

Brancher le fil relié à la terre au fil vert relié à la terre dans la boîte de la borne.

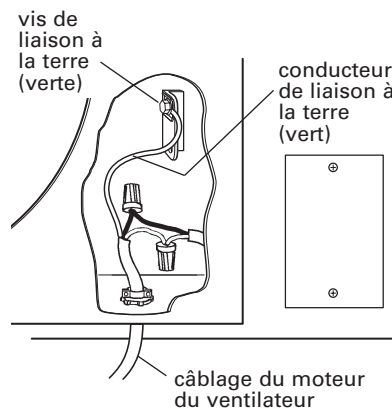
Le non-respect de ces instructions peut causer un décès ou un choc électrique.

12. Déconnecter la source de courant électrique.



13. Insérer le câble d'alimentation dans la boîte de connexion à travers le connecteur de conduit. Raccorder ensemble les conducteurs blancs avec un connecteur de fils. Raccorder

ensemble les conducteurs noirs avec un connecteur de fils. Connecter le conducteur vert (ou vert et jaune) avec cosse ronde sous la vis verte de liaison à la terre.



14. Enlever l'opercule arrachable dans le boîtier du ventilateur et installer le connecteur de conduit.

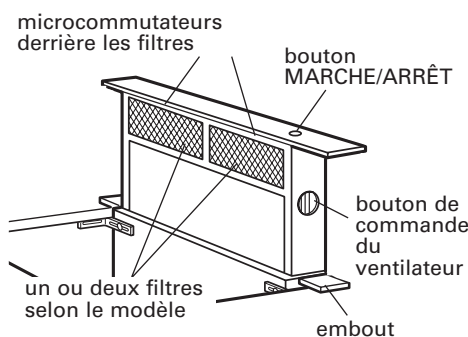
Faire passer le câblage du moteur du ventilateur à travers le connecteur de conduit.

IMPORTANT : Ne pas connecter les conducteurs noir et blanc du moteur du ventilateur dans la boîte de connexion. Ces conducteurs doivent être connectés comme sur l'illustration. Connecter les conducteurs noirs ensemble avec un connecteur de fils.

Fixer le conducteur de liaison à la terre avec la cosse ronde, avec la vis de liaison à la terre; bien serrer la vis.

Serrer les vis de la bride du connecteur de conduit.

15. Reconnecter la source de courant électrique.



16. Mettre le système d'aspiration sous tension. Appuyer/maintenir la pression pendant quelques secondes sur le bouton de commande au sommet du système d'aspiration. La section rétractable du système se soulève et le ventilateur se met en marche. Positionner la garniture supérieure sur la section rétractable; emboîter la garniture en place.

17. Faire tourner le bouton de commande sur le côté du système d'aspiration pour contrôler le fonctionnement de la vitesse du ventilateur.

Si le ventilateur ne fonctionne pas :

- Vérifier que les filtres sont complètement enfoncés dans leur logement.
- Vérifier que le circuit est alimenté (disjoncteur ouvert ou grillé?).
- Déconnecter la source d'alimentation; vérifier que le câblage est correct.

18. Raccorder le circuit d'évacuation au ventilateur. Positionner le conduit d'évacuation en évitant les poteaux du colombage mural et les solives du plancher. Assembler complètement tout le circuit d'évacuation. Utiliser du ruban adhésif pour conduit pour assurer l'étanchéité de chaque jointure. Dans le cas de la sortie à travers le mur, le conduit doit être légèrement incliné pour que l'humidité condensée puisse s'écouler vers l'extérieur.

19. Installer la table de cuisson conformément aux instructions du fabricant. Veiller à ce que l'arrière de la table de cuisson chevauche de 9,5 mm (3/8 po) le bord du système d'aspiration rétractable.

Pour obtenir la plus grande efficacité du système d'aspiration rétractable, lire la section Information d'utilisation et entretien à la page 12. Conserver les instructions d'installation et l'information d'utilisation et entretien en lieu sûr pour consultation.

Information d'utilisation et entretien

Le système rétractable d'aspiration par le bas a pour fonction d'éliminer fumée, vapeurs de cuisson et odeurs au voisinage de la table de cuisson. Pour obtenir les meilleurs résultats on doit faire fonctionner le système dès le début de la période de cuisson. Placer un ustensile haut ou de grande taille sur le plus grand élément à l'arrière. Lorsque le système d'aspiration vers le bas fonctionne, il peut être nécessaire d'utiliser une plus grande puissance de chauffage.

AVERTISSEMENT - POUR MINIMISER LE RISQUE D'INCENDIE, CHOC ÉLECTRIQUE OU DOMMAGES CORPORELS, RESPECTER LES INSTRUCTIONS SUIVANTES :

Utiliser cet appareil uniquement dans les applications envisagées par le fabricant. Pour toute question, contacter le fabricant. Avant d'entreprendre un travail d'entretien ou de nettoyage, interrompre l'alimentation de la hotte au niveau du tableau de disjoncteurs, et verrouiller le tableau de disjoncteurs pour empêcher tout rétablissement accidentel de l'alimentation du circuit. Lorsqu'il n'est pas possible de verrouiller le tableau de disjoncteurs ou le dispositif d'interruption de l'alimentation, placer sur le tableau de disjoncteurs une étiquette d'avertissement proéminente interdisant le rétablissement de l'alimentation.

MISE EN GARDE : Cet appareil est conçu uniquement pour la ventilation générale. Ne pas l'utiliser pour l'extraction de matières ou vapeurs dangereuses ou explosives.

AVERTISSEMENT - POUR MINIMISER LE RISQUE D'UN FEU DE GRAISSE SUR LA TABLE DE CUISSON :

Veiller à maintenir la propreté du ventilateur, des filtres et des surfaces où de la graisse peut s'accumuler.

Faire toujours fonctionner le ventilateur de la hotte lors d'une cuisson à feu vif.

Utiliser un feu vif seulement lorsque c'est nécessaire.

Utiliser un feu moyen ou doux pour faire chauffer de l'huile lentement.

Ne pas laisser une cuisson en cours sans surveillance.

Utiliser toujours des ustensiles et récipients de cuisson appropriés, correspondant au type et à la quantité des aliments à préparer.

AVERTISSEMENT - POUR RÉDUIRE LE RISQUE DE DOMMAGES CORPORELS APRÈS LE DÉCLENCHEMENT D'UN FEU DE GRAISSE SUR LA CUISINIÈRE, APPLIQUER LES RECOMMANDATIONS SUIVANTES :

Placer sur le récipient un couvercle bien ajusté, une tôle à biscuits ou un plateau métallique **POUR ÉTOUFFER LES FLAMMES**, puis éteindre le brûleur. **VEILLER À ÉVITER LES BRÛLURES**. Si les flammes ne s'éteignent pas immédiatement, **ÉVACUER LA PIÈCE ET CONTACTER LES POMPIERS. NE JAMAIS PRENDRE EN MAIN UN RÉCIPIENT ENFLAMMÉ** - le risque de brûlure est élevé.

NE PAS UTILISER D'EAU ni un torchon humide - ceci pourrait provoquer une explosion de vapeur brûlante. Utiliser un extincteur **SEULEMENT** si :

Il s'agit d'un extincteur de classe ABC, dont on connaît le fonctionnement.

Il s'agit d'un petit feu encore limité à l'endroit où il s'est déclaré.

Les pompiers ont été contactés.

Il est possible de garder le dos orienté vers une sortie pendant l'opération de lutte contre le feu.

Ce ventilateur peut être utilisé avec les commandes de vitesse à circuits intégrés.

Fonctionnement du système d'aspiration par le bas

Appuyer/maintenir la pression pendant quelques secondes sur le bouton de commande au sommet du système d'aspiration. Cette petite période d'attente empêche le soulèvement du système durant le nettoyage. La section rétractable du système d'aspiration se soulève et le ventilateur se met en marche. Faire tourner le bouton de commande sur le côté du système d'aspiration pour établir le débit d'aspiration désiré (variation continue). Placer les ustensiles sur les éléments chauffants et allumer des éléments chauffants. Lorsque la cuisson est terminée, arrêter chaque élément chauffant, retirer les ustensiles, et appuyer sur le bouton de commande au sommet du système d'aspiration rétractable. Le ventilateur s'arrête et la section rétractable redescend à la position de fermeture.

En cas de renversement d'un liquide sur la table de cuisson, ce qui susciterait l'introduction de liquide dans le système d'aspiration, on doit arrêter immédiatement le système d'aspiration. L'introduction d'eau pendant que le système d'aspiration fonctionne peut lui faire subir des dommages.

- Arrêter immédiatement le système d'aspiration avec le bouton de réglage de la vitesse sur le côté droit du système.
- Interrompre l'alimentation du système d'aspiration au niveau de la boîte de fusibles ou disjoncteurs.
- Ne pas utiliser le nouveau système d'aspiration avant qu'il ait pu sécher naturellement. Ne pas ouvrir le système d'aspiration pour éliminer l'eau.

Nettoyage

Surface du système d'aspiration : Nettoyer avec eau et savon. Ne jamais utiliser un produit de récurage abrasif.

Filtre/Filtres (selon le modèle) – Enlever fréquemment les filtres de la section rétractable du système d'aspiration, pour les nettoyer. Ceci maximisera l'efficacité de fonctionnement du système.

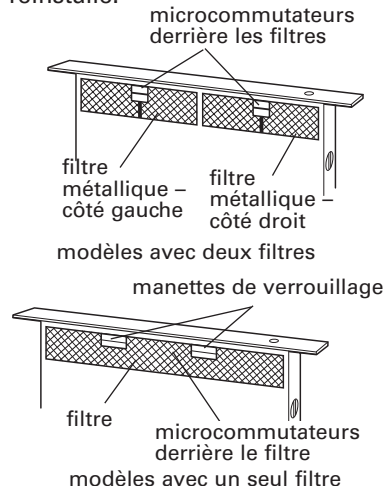
1. Enlever les filtres pour les nettoyer au lave-vaisselle ou dans une solution chaude de détergent.

Ne pas faire fonctionner le système d'aspiration vers le bas lorsque les filtres ne sont pas en place.

2. Réinstaller les filtres propres; veiller à les enfoncer aussi loin qu'ils peuvent aller dans leur logement.

NOTE : Le système d'aspiration ne fonctionne pas si les filtres ne sont pas à la position correcte. Si les manettes ne sont pas totalement verrouillées, le système d'aspiration peut se rétracter mais ne peut pas se soulever.

Si le système d'aspiration rétractable ne fonctionne pas après la réinstallation des filtres propres : Enfoncer chaque filtre aussi loin qu'il peut aller dans son logement. Lorsqu'on enlève un filtre, le microcommutateur placé derrière le filtre empêche la mise en marche du système. Ce dispositif de sécurité empêche le ventilateur et le mécanisme de soulèvement de fonctionner jusqu'à ce que le filtre ait été correctement réinstallé.



Accessoires

disponibles chez les revendeurs.

NOTE : Chaque ensemble de pièces est accompagné des instructions appropriées.

Pour les modèles
KIRD et YKIRD 801, 802

Garniture monopièce de
76,2 cm (30 po) :

Pièce n° 8171304 (blanc)
Pièce n° 8171305 (noir)
Pièce n° 8171306 (biscuit)

Pour les modèles
KIRD et YKIRD 861, 862

Garniture monopièce de
91,4 cm (36 po) :

Pièce n° 8171310 (blanc)
Pièce n° 8171311 (noir)
Pièce n° 8171312 (biscuit)

Pour les modèles
GZ et YGZ 7930

Garniture monopièce de
76,2 cm (30 po) :

Pièce n° 8171300 (blanc)
Pièce n° 8171301 (noir)
Pièce n° 8171370 (biscuit)

Pour les modèles
GZ et YGZ 7736

Garniture monopièce de
91,4 cm (36 po) :

Pièce n° 8171302 (blanc)
Pièce n° 8171303 (noir)
Pièce n° 8171371 (biscuit)

GARANTIE DU SYSTÈME DE VENTILATION KITCHENAID®

GARANTIE LIMITÉE DE UN AN

Pendant un an à compter de la date d'achat, lorsque ce gros appareil ménager est utilisé et entretenu conformément aux instructions jointes à ou fournies avec le produit, KitchenAid ou KitchenAid Canada (ci-après désignées "KitchenAid") paiera pour les pièces spécifiées par l'usine et la main-d'œuvre pour corriger les vices de matériaux ou de fabrication. Le service doit être fourni par une compagnie de service désignée par KitchenAid.

KITCHENAID NE PRENDRA PAS EN CHARGE

1. Les visites de service pour rectifier l'installation du gros appareil ménager, montrer à l'utilisateur comment utiliser l'appareil, remplacer ou réparer des fusibles ou rectifier le câblage ou la plomberie du domicile.
2. Les visites de service pour réparer ou remplacer les ampoules électriques de l'appareil, les filtres à air ou les filtres à eau. Ces pièces consommables ne sont pas couvertes par la garantie.
3. Les réparations lorsque le gros appareil ménager est utilisé à des fins autres que l'usage unifamilial normal.
4. Les dommages imputables à : accident, modification, usage impropre ou abusif, incendie, inondation, actes de Dieu, installation fautive ou installation non conforme aux codes d'électricité ou de plomberie, ou l'utilisation de produits non approuvés par KitchenAid.
5. Le coût des pièces de rechange et de la main-d'œuvre pour les appareils utilisés hors des États-Unis ou du Canada.
6. Le ramassage et la livraison. Ce gros appareil ménager est conçu pour être réparé à domicile.
7. Les réparations aux pièces ou systèmes résultant d'une modification non autorisée faite à l'appareil.
8. Les frais de voyage ou de transport pour le service d'un produit dans les régions éloignées.
9. La dépose et la réinstallation de votre appareil si celui-ci est installé dans un endroit inaccessible ou n'est pas installé conformément aux instructions d'installation fournies.

CLAUSE D'EXONÉRATION DE RESPONSABILITÉ AU TITRE DES GARANTIES IMPLICITES; LIMITATION DES RECOURS

LE SEUL ET EXCLUSIF RECOURS DU CLIENT DANS LE CADRE DE LA PRÉSENTE GARANTIE LIMITÉE CONSISTE EN LA RÉPARATION PRÉVUE CI-DESSUS. LES GARANTIES IMPLICITES, Y COMPRIS LES GARANTIES APPLICABLES DE QUALITÉ MARCHANDE ET D'APTITUDE À UN USAGE PARTICULIER, SONT LIMITÉES À UN AN OU À LA PLUS COURTE PÉRIODE AUTORISÉE PAR LA LOI. KITCHENAID N'ASSUME AUCUNE RESPONSABILITÉ POUR LES DOMMAGES FORTUITS OU INDIRECTS. CERTAINES JURISDICTIONS NE PERMETTENT PAS L'EXCLUSION OU LA LIMITATION DES DOMMAGES FORTUITS OU INDIRECTS, OU LES LIMITATIONS DE LA DURÉE DES GARANTIES IMPLICITES DE QUALITÉ MARCHANDE OU D'APTITUDE À UN USAGE PARTICULIER, DE SORTE QUE CES EXCLUSIONS OU LIMITATIONS PEUVENT NE PAS S'APPLIQUER DANS VOTRE CAS. CETTE GARANTIE VOUS CONFÈRE DES DROITS JURIDIQUES SPÉCIFIQUES ET VOUS POUVEZ ÉGALEMENT JOUIR D'AUTRES DROITS QUI PEUVENT VARIER D'UNE JURISDICTION À UNE AUTRE.

À l'extérieur du Canada et des 50 États des États-Unis, cette garantie ne s'applique pas. Contacter votre marchand KitchenAid autorisé pour déterminer si une autre garantie s'applique.

Si vous avez besoin de service, voir d'abord la section "Dépannage" du Guide d'utilisation et d'entretien. Après avoir vérifié la section "Dépannage", de l'aide supplémentaire peut être trouvée en vérifiant la section "Assistance ou service" ou en appelant KitchenAid. Aux É.-U., composer le **1-800-422-1230**. Au Canada, composer le **1-800-807-6777**.

GARANTIE DES GROS APPAREILS MÉNAGERS WHIRLPOOL CORPORATION

GARANTIE LIMITÉE DE UN AN

Pendant un an à compter de la date d'achat, lorsque ce gros appareil ménager est utilisé et entretenu conformément aux instructions jointes à ou fournies avec le produit, Whirlpool Corporation ou Whirlpool Canada LP (ci-après désignées "Whirlpool") paiera pour les pièces de rechange FSP® et la main-d'œuvre pour corriger les vices de matériaux ou de fabrication. Le service doit être fourni par une compagnie de service désignée par Whirlpool.

WHIRLPOOL NE PRENDRA PAS EN CHARGE

1. Les visites de service pour rectifier l'installation du gros appareil ménager, montrer à l'utilisateur comment utiliser l'appareil, remplacer ou réparer des fusibles ou rectifier le câblage ou la plomberie du domicile.
 2. Les visites de service pour réparer ou remplacer les ampoules électriques de l'appareil, les filtres à air ou les filtres à eau. Ces pièces consommables ne sont pas couvertes par la garantie.
 3. Les réparations lorsque le gros appareil ménager est utilisé à des fins autres que l'usage unifamilial normal.
 4. Les dommages imputables à : accident, modification, usage impropre ou abusif, incendie, inondation, actes de Dieu, installation fautive ou installation non conforme aux codes d'électricité ou de plomberie, ou l'utilisation de produits non approuvés par Whirlpool.
 5. Toute perte d'aliments due à une défaillance du réfrigérateur ou du congélateur.
 6. Le coût des pièces de rechange et de la main-d'œuvre pour les appareils utilisés hors des États-Unis ou du Canada.
 7. Le ramassage et la livraison. Ce gros appareil ménager est conçu pour être réparé à domicile.
 8. Les réparations aux pièces ou systèmes résultant d'une modification non autorisée faite à l'appareil.
 9. Les frais de transport pour le service d'un produit dans les régions éloignées.
 10. La dépose et la réinstallation de votre appareil si celui-ci est installé dans un endroit inaccessible ou n'est pas installé conformément aux instructions d'installation fournies.
-

CLAUSE D'EXONÉRATION DE RESPONSABILITÉ AU TITRE DES GARANTIES IMPLICITES; LIMITATION DES RECOURS

LE SEUL ET EXCLUSIF RECOURS DU CLIENT DANS LE CADRE DE LA PRÉSENTE GARANTIE LIMITÉE CONSISTE EN LA RÉPARATION PRÉVUE CI-DESSUS. LES GARANTIES IMPLICITES, Y COMPRIS LES GARANTIES APPLICABLES DE QUALITÉ MARCHANDE ET D'APTITUDE À UN USAGE PARTICULIER, SONT LIMITÉES À UN AN OU À LA PLUS COURTE PÉRIODE AUTORISÉE PAR LA LOI. WHIRLPOOL N'ASSUME AUCUNE RESPONSABILITÉ POUR LES DOMMAGES FORTUITS OU INDIRECTS. CERTAINES JURIDICTIONS NE PERMETTENT PAS L'EXCLUSION OU LA LIMITATION DES DOMMAGES FORTUITS OU INDIRECTS, OU LES LIMITATIONS DE LA DURÉE DES GARANTIES IMPLICITES DE QUALITÉ MARCHANDE OU D'APTITUDE À UN USAGE PARTICULIER, DE SORTE QUE CES EXCLUSIONS OU LIMITATIONS PEUVENT NE PAS S'APPLIQUER DANS VOTRE CAS. CETTE GARANTIE VOUS CONFÈRE DES DROITS JURIDIQUES SPÉCIFIQUES ET VOUS POUVEZ ÉGALEMENT JOUIR D'AUTRES DROITS QUI PEUVENT VARIER D'UNE JURIDICTION À UNE AUTRE.

À l'extérieur du Canada et des 50 États des États-Unis, cette garantie ne s'applique pas. Contacter votre marchand Whirlpool autorisé pour déterminer si une autre garantie s'applique.

Si vous avez besoin de service, voir d'abord la section "Dépannage" du Guide d'utilisation et d'entretien. Après avoir vérifié la section "Dépannage", de l'aide supplémentaire peut être trouvée en vérifiant la section "Assistance ou service" ou en appelant Whirlpool. Aux É.-U., composer le **1-800-253-1301**. Au Canada, composer le **1-800-807-6777**. 8/05

Demande d'assistance ou de service au Canada

Composez le numéro sans frais suivant : 1-800-422-1230, de 8 h 30 à 18 h 00 (HNE). Ou contactez la succursale de service pour appareils ménagers Inglis Limitée ou KitchenAid Canada ou la compagnie de service désignée la plus proche (voir la liste à droite) pour faire réparer votre appareil.



Lorsque vous appelez, veuillez fournir une description précise du problème, les numéros au complet de modèle et de série de votre appareil et la date d'achat. Ces renseignements nous aideront à mieux répondre à votre demande.

Succursales de service direct :

COLOMBIE-BRITANNIQUE		1-800-665-6788
ALBERTA		1-800-661-6291
ONTARIO	Région d'Ottawa	1-800-267-3456
(à l'exception de l'indicatif régional 807)	En dehors de la région d'Ottawa	1-800-807-6777
MANITOBA, SASKATCHEWAN		1-800-665-1683
Et l'indicatif régional 807 en ONTARIO		
QUÉBEC	Montréal (à l'exception de la rive sud)	1-800-361-3032
	Rive sud Montréal	1-800-361-0950
	Québec	1-800-463-1523
	Sherbrooke	1-800-567-6966
PROVINCES ATLANTIQUES		1-800-565-1598

Pour plus d'assistance

Si vous avez besoin de plus d'assistance, vous pouvez soumettre par écrit toute question ou préoccupation à Inglis Limitée ou KitchenAid à l'adresse suivante :

Service des relations avec la clientèle
1901 Minnesota Court
Mississauga, Ontario L5N 3A7

Veuillez inclure dans votre correspondance un numéro de téléphone où on peut vous joindre dans la journée.

NOTES

Pièce n° 4329225/**9763381**

© 2005 KitchenAid, U.S.A.

® Marque déposée de KitchenAid, U.S.A., KitchenAid porteur de licence au Canada

Imprimé en Italie

10/2005

Free Manuals Download Website

<http://myh66.com>

<http://usermanuals.us>

<http://www.somanuals.com>

<http://www.4manuals.cc>

<http://www.manual-lib.com>

<http://www.404manual.com>

<http://www.luxmanual.com>

<http://aubethermostatmanual.com>

Golf course search by state

<http://golfingnear.com>

Email search by domain

<http://emailbydomain.com>

Auto manuals search

<http://auto.somanuals.com>

TV manuals search

<http://tv.somanuals.com>