

# KitchenAid® 36", 42" and 48" Wall-Mount Range Hood

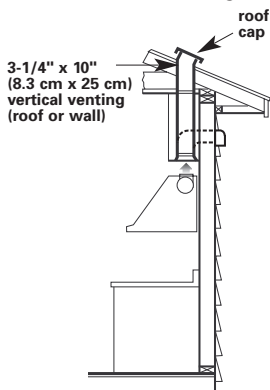
## PRODUCT MODEL NUMBERS

KWCU320J      KWCU380J  
KWCU360J

**Electrical:** 120-volt, 60-Hz, AC-only, 15-amp. electrical supply. Use copper wire only. A time-delay fuse or circuit breaker and separate circuit is recommended.

## VENTING REQUIREMENTS

### Vertical roof venting



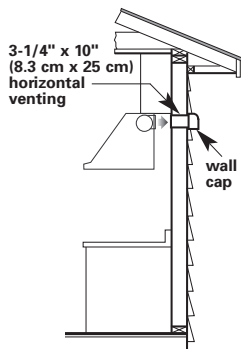
The vent system length should not exceed the lengths shown in the chart below.

Vent size	Maximum length
3-1/4" x 10" (8.3 cm x 25 cm)	35 ft. (10.7 m)
7" (17.8 cm) round	40 ft. (12.2 m)
8" (20.3 cm) round	50 ft. (15.2 m)
9" (22.9 cm) round	60 ft. (18.3 m)
10" (25.4 cm) round	60 ft. (18.3 m)

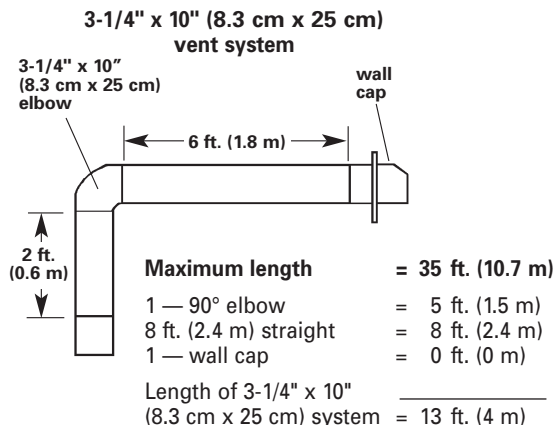
To calculate the length of the system you need, add the equivalent feet for each vent piece used in the system.

Vent Piece	3-1/4" x 10" (8.3 cm x 25 cm) Rectangular	7" (17.8 cm), 8" (20.3 cm), 9" (22.9 cm) or 10" (25.4 cm) Round
45° elbow	7.0 feet (2.1 m)	2.5 feet (0.8 cm)
90° elbow	5.0 feet (1.5 m)	5.0 feet (1.5 m)
90° flat elbow	12.0 feet (3.7 m)	
transition to round	5.0 feet (1.5 m)	
wall cap	0.0 feet (0.0 m)	

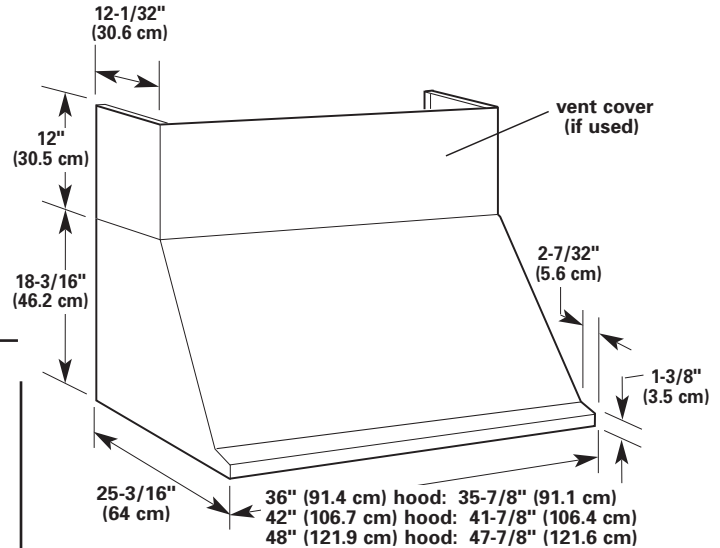
### Horizontal wall venting



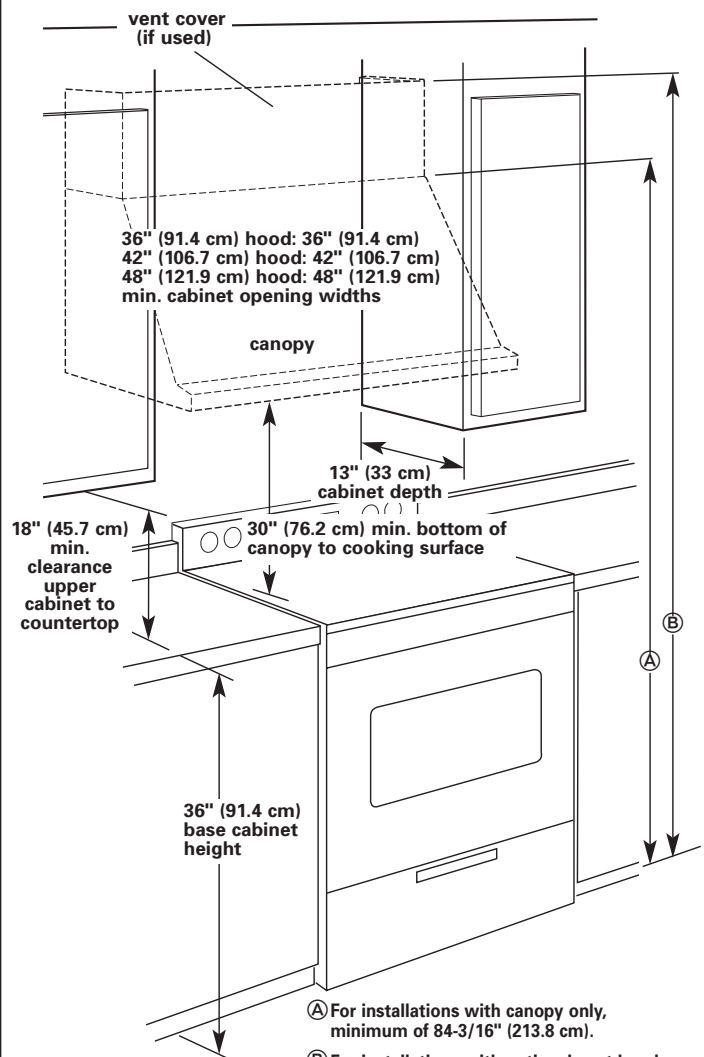
**Note: Flexible vent is Not recommended.**



## OVERALL DIMENSIONS



## CABINET OPENING DIMENSIONS



- (A) For installations with canopy only, minimum of 84-3/16" (213.8 cm).
- (B) For installations with optional vent hood cover, minimum of 96-3/16" (244.3 cm).

Ceiling height above canopy or canopy with optional vent hood is unlimited.

## Free Manuals Download Website

<http://myh66.com>

<http://usermanuals.us>

<http://www.somanuals.com>

<http://www.4manuals.cc>

<http://www.manual-lib.com>

<http://www.404manual.com>

<http://www.luxmanual.com>

<http://aubethermostatmanual.com>

Golf course search by state

<http://golfingnear.com>

Email search by domain

<http://emailbydomain.com>

Auto manuals search

<http://auto.somanuals.com>

TV manuals search

<http://tv.somanuals.com>