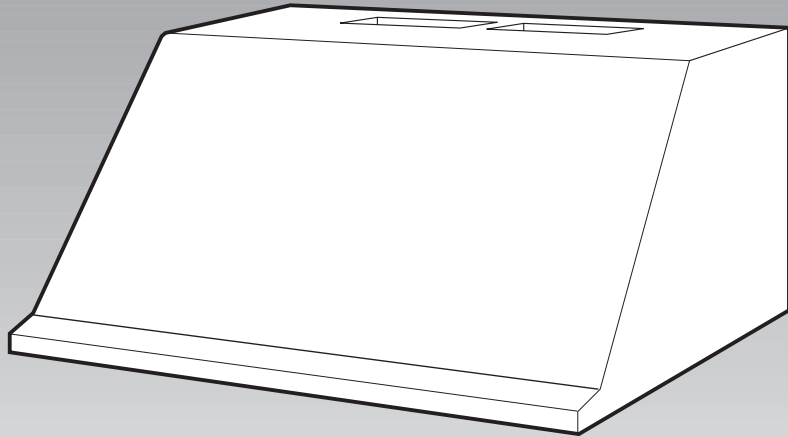


# Installation Instructions and Use and Care Guide

30" (76.2 cm)  
36" (91.4 cm)  
42" (106.7 cm)  
48" (121.9 cm)

Wall-Mount

Pro Line™ Range Hood



**IMPORTANT:**  
Read and save  
these instructions.

**IMPORTANT:**

**Installer:** Leave Installation Instructions with the homeowner.

**Homeowner:** Keep Installation Instructions for future reference.

**Save** Installation Instructions for local electrical inspector's use.

Part No. 4329454/8285147  
Pièce N° 4329454/8285147

## Quick Reference

### Table of Contents:

Pages

<b>2</b>	Before you start
<b>3</b>	Product dimensions
<b>3</b>	Cabinet dimensions
<b>3</b>	Venting requirements
<b>5</b>	Electrical requirements
<b>5</b> - <b>7</b>	Installation steps
<b>8</b>	Use and Care Information
<b>9</b>	Wiring diagrams
<b>9</b>	Accessories
<b>10</b>	Warranty
<b>11</b> - <b>12</b>	Requesting Assistance or Service

## Before you start...

### Your safety and the safety of others is very important.

We have provided many important safety messages in this manual and on your appliance. Always read and obey all safety messages.



This is the safety alert symbol. This symbol alerts you to potential hazards that can kill or hurt you and others. All safety messages will follow the safety alert symbol and either the word "DANGER" or "WARNING". These words mean:

## ! DANGER

You can be killed or seriously injured if you don't immediately follow instructions.

## ! WARNING

You can be killed or seriously injured if you don't follow instructions.

All safety messages will tell you what the potential hazard is, tell you how to reduce the chance of injury, and tell you what can happen if the instructions are not followed.

### Important: Observe all governing codes and ordinances.

**Proper installation** is your responsibility:

- Have a qualified technician install this range hood.
- Comply with installation clearances specified on the model/serial rating plate.

The **model/serial rating plate** is located inside the range hood on the rear wall.

**Range hood location** should be away from strong draft areas, such as windows, doors and strong heating vents.

**Cabinet opening dimensions** that are shown must be used. Given dimensions provide minimum clearance. Consult your cooktop/range manufacturer installation instructions before making any cutouts.

**Grounded electrical outlet** is required. See "Electrical requirements."

The canopy hood is factory set for venting through the roof or wall. To vent directly through the wall, the blower must be rotated to face the rear of the range hood.

**All openings in ceiling and wall where range hood will be installed must be sealed.**

**WARNING — TO REDUCE THE RISK OF FIRE, ELECTRIC SHOCK, OR INJURY TO PERSONS, OBSERVE THE FOLLOWING:**

Installation work and electrical wiring must be done by qualified person(s) in accordance with all applicable Codes and Standards, including fire related construction. Sufficient air is needed for proper combustion and exhausting of gases through the flue (chimney) of fuel burning equipment to prevent back drafting. Follow the heating equipment manufacturer's guideline and safety standards such as those published by the National Fire Protection Association (NFPA), and the American Society of Heating Refrigeration and Air Conditioning Engineers (ASHRAE), and the local code authorities.

When cutting or drilling into wall or ceiling, do not damage electrical wiring and other hidden utilities.

Ducted fans must always be vented to the outdoors.

**WARNING —** To reduce the risk of fire, use only metal ductwork.

This unit must be grounded.

## Parts needed:

- 2 U.L.- or C.S.A.- listed, 1/2" (12.5 mm) conduit connectors
- power supply cable
- 1 wall or roof cap
- metal vent system

## Parts supplied:

- Mounting screws**  
 30" (76.2 cm) = 2  
 36" (91.4 cm) = 4  
 42" (106.7 cm) = 4  
 48" (121.9 cm) = 4

### Exhaust outlet cover

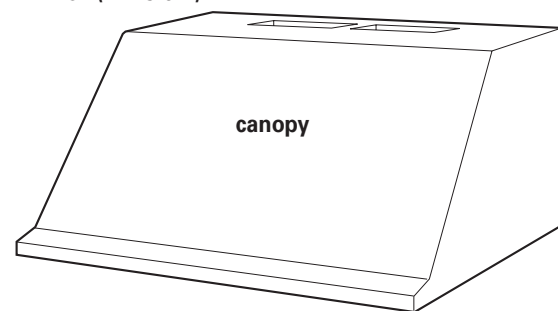
- 30" (76.2 cm) = 1  
 36" (91.4 cm) = 1  
 42" (106.7 cm) = 1  
 48" (121.9 cm) = 2

### Damper screws:

- 30" (76.2 cm) = 2  
 36" (91.4 cm) = 2  
 42" (106.7 cm) = 2  
 48" (121.9 cm) = 4

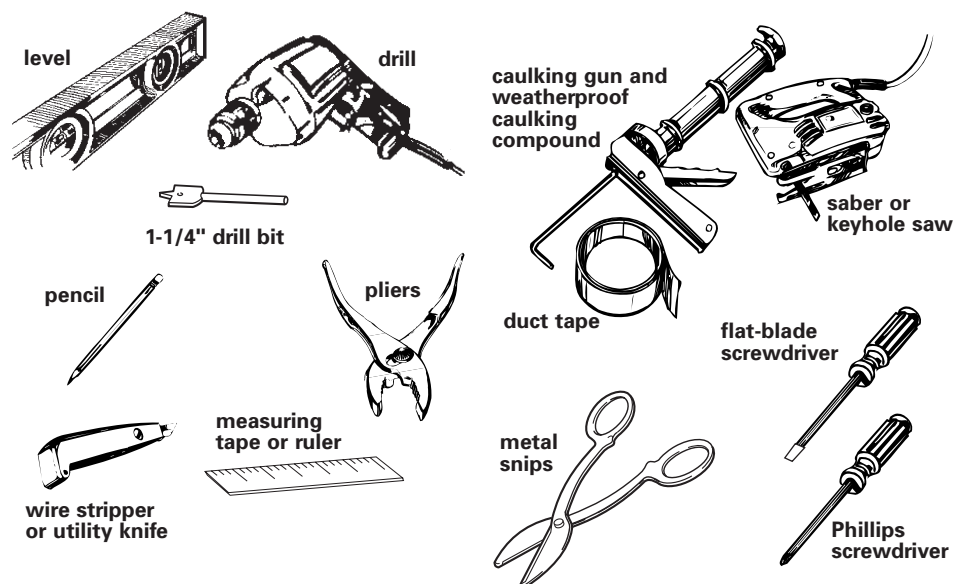
### Damper:

- 30" (76.2 cm) = 1  
 36" (91.4 cm) = 1  
 42" (106.7 cm) = 1  
 48" (121.9 cm) = 2

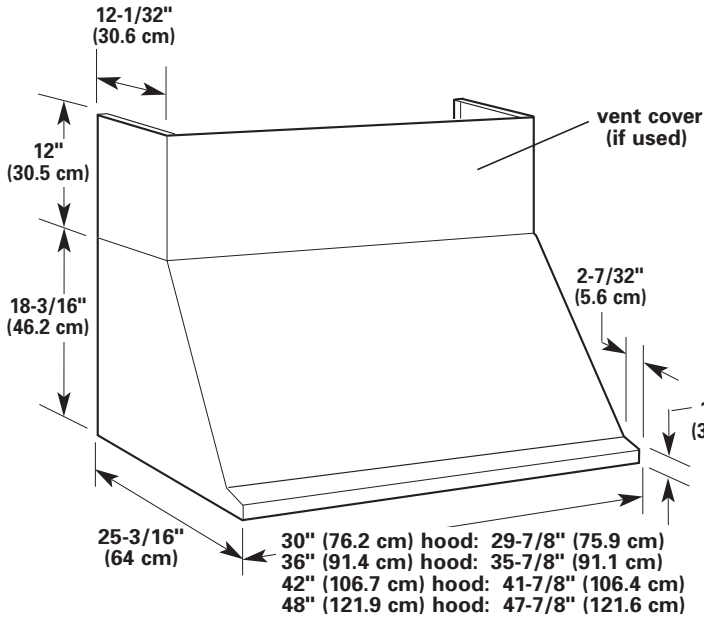


**Note:** Backsplash, vent cover, discharge transition, and chimney extension kits are available from your dealer (see page 9). These are required for some installations and must be installed at time of hood installation as shown in the Installation Instructions.

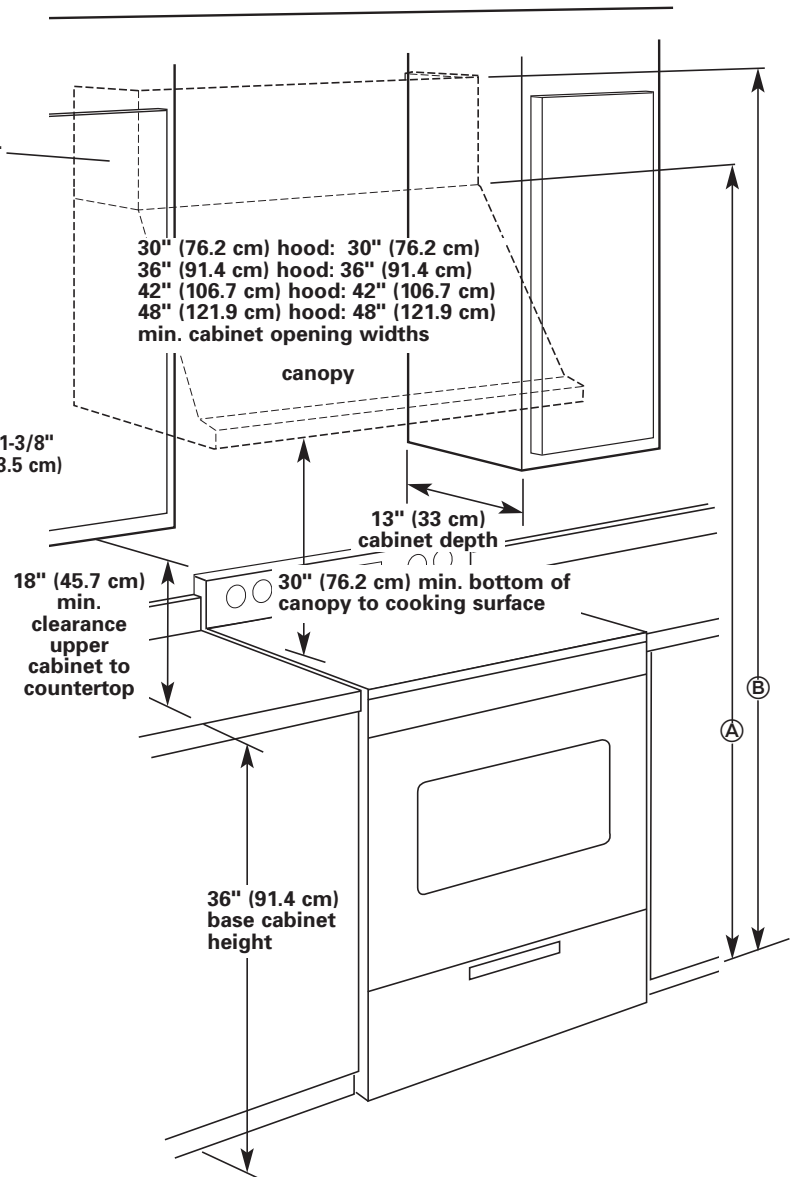
## Tools needed:



## Product dimensions



## Cabinet dimensions



## Venting requirements

Vent system must terminate to the outside.

Do not terminate the vent system in an attic or other enclosed area.

Do not use 4-inch (10.2 cm) laundry-type wall caps.

**Use metal vent only. Rigid metal vent is recommended. Do not use plastic or metal foil vent.**

## For the most efficient and quiet operation:

- The size of the vent should be uniform.
- Use no more than three 90° elbows.
- Make sure there is a minimum of 24" (61 cm) of straight vent between the elbows if more than one elbow is used.
- Do Not install two elbows together.
- The length of vent system and number of elbows should be kept to a minimum to provide efficient performance.
- The vent system must have a damper. If roof or wall cap has a damper, Do Not use damper supplied with the range hood.
- Use duct tape to seal all joints in the vent system.
- Use caulking to seal exterior wall or roof opening around the cap.

Determine which venting method is best for your application and follow "Preparation" under "Installation steps" on Page 5.

(A) For installations with canopy only, minimum of 84-3/16" (213.8 cm).

(B) For installations with optional vent hood cover, minimum of 96-3/16" (244.3 cm).

Ceiling height above canopy or canopy with optional vent hood is unlimited.

# Venting methods

This canopy range hood is factory set for vertical venting. For rear vent applications, the blower must be turned inside the range hood so that the blower vents to the rear as indicated. The blower is turned by removing two screws on each side of the blower, rotating the blower with the exhaust opening facing the rear and then replacing the screws. The exhaust cover(s) must be moved to block the unused opening(s). The blower must be converted before installing the range hood.

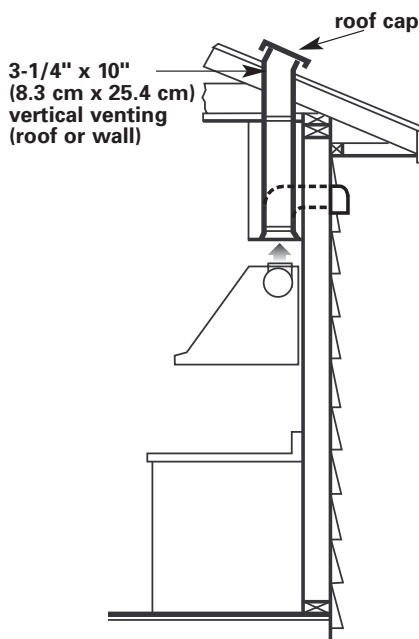
**Vent system needed for installation is not included.** The 30" (76.2 cm), 36" (91.4 cm) and 42" (106.7 cm) models have one exhaust opening. 3-1/4" x 10" (8.3 cm x 25.4 cm) rectangular, 7" (17.8 cm) round, 8" (20.3 cm) round, 9" (22.9 cm) round, or 10" (25.4 cm) round vent may be used. The hood exhaust opening is 3-1/4" x 10" (8.3 cm x 25.4 cm).

The 48" (121.9 cm) model has two 3-1/4" x 10" (8.3 cm x 25.4 cm) exhaust openings. It is recommended that Vent Transition Kit No. 8284757 be used to transition the two openings into one 10" (25.4 cm) round vent. (Cannot be used with Chimney Extension Kit No. 8284754.)

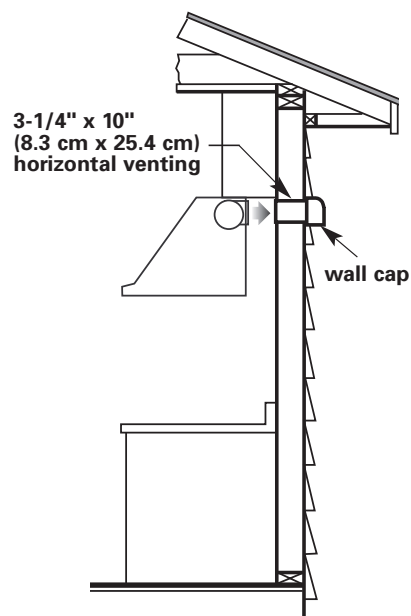
Vent system can terminate either through the roof or wall.

The vent system length should not exceed the lengths shown in the chart.

## Vertical venting







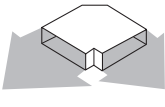
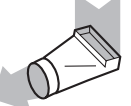
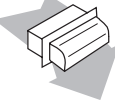
## Horizontal venting



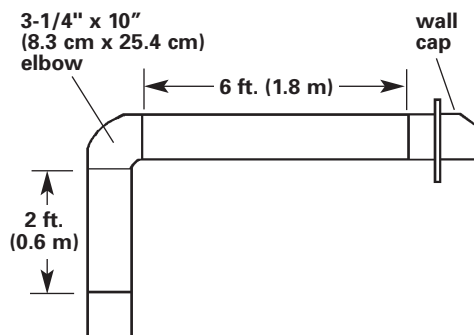
Vent size	Maximum length
3-1/4" x 10" (8.3 cm x 25.4 cm)	35 ft. (10.7 m)
7" (17.8 cm) round	40 ft. (12.2 m)
8" (20.3 cm) round	50 ft. (15.2 m)
9" (22.9 cm) round	60 ft. (18.3 m)
10" (25.4 cm) round	60 ft. (18.3 m)

# Calculating the vent system length

To calculate the length of the system you need, add the equivalent feet (meters) for each vent piece used in the system.

Vent Piece	3-1/4" x 10" (8.3 cm x 25.4 cm) Rectangular	7" (17.8 cm), 8" (20.3 cm), 9" (22.9 cm), 10" (25.4 cm) Round
45° elbow	7.0 feet (2.1 m) 	2.5 feet (0.8 m) 
90° elbow	5.0 feet (1.5 m) 	5.0 feet (1.5 m) 
90° flat elbow	12.0 feet (3.7 m) 	
transition to round	5.0 feet (1.5 m) 	
wall cap	0.0 feet (0.0 m) 	

## Example for 3-1/4" x 10" (8.3 cm x 25.4 cm) vent system



<b>Maximum length</b>	<b>= 35 ft. (10.7 m)</b>
1 — 90° elbow	= 5 ft. (1.5 m)
8 ft. (2.4 m) straight	= 8 ft. (2.4 m)
1 — wall cap	= 0 ft. (0 m)
Length of 3-1/4" x 10" (8.3 cm x 25.4 cm) system	= 13 ft. (3.9 m)

**Note: Flexible vent is Not recommended.**

Flexible vent creates back pressure and air turbulence that greatly reduces performance.

# Electrical requirements

**Important:** Observe all governing codes and ordinances.

It is the customer's responsibility:

- To contact a qualified electrical installer.
- To assure that the electrical installation is adequate and in conformance with National Electrical Code, ANSI/NFPA 70 — latest edition\*, or CSA Standards C22.1-94, Canadian Electrical Code, Part 1 and C22.2 No.0-M91 - latest edition\*\* and all local codes and ordinances.

If codes permit and a separate ground wire is used, it is recommended that a qualified electrician determine that the ground path is adequate.

A 120-volt, 60-Hz, AC-only, fused electrical system is required on a

separate 15-amp circuit, fused on both sides of the line.

Do not ground to a gas pipe.

Check with a qualified electrician if you are not sure range hood is properly grounded.

Do not have a fuse in the neutral or ground circuit.

**IMPORTANT:**  
Save Installation Instructions for electrical inspector's use.

The range hood must be connected with copper wire only.

The range hood should be connected directly to the fused disconnect (or circuit breaker) box through flexible armored or nonmetallic sheathed copper cable. A U.L.- or C.S.A.-listed strain relief must be provided at each end of the power supply cable. Wire sizes

(COPPER WIRE ONLY) and connections must conform with the rating of the appliance as specified on the model/serial rating plate.

Wire sizes must conform to the requirements of the National Electrical Code ANSI/NFPA 70 — latest edition\*, or CSA Standards C22.1-94, Canadian Electrical Code Part 1 and C22.2 No. 0-M91 - latest edition\*\* and all local codes and ordinances.

A U.L.- or C.S.A.-listed conduit connector must be provided at each end of the power supply cable (at the range hood and at the junction box).

Copies of the standards listed may be obtained from:

\* National Fire Protection Association  
One Batterymarch Park  
Quincy, Massachusetts 02269

\*\* CSA International  
8501 East Pleasant Valley Road  
Cleveland, Ohio 44131-5575

# Installation steps

## Preparation

It is recommended that the vent system be installed before hood is installed.

Do not cut a joist or stud unless absolutely necessary. If a joist or stud must be cut, then a supporting frame must be constructed.

Before making cutouts, make sure there is proper clearance within the ceiling or wall for exhaust vent.

Check that all the installation parts and the box with filters have been removed from the shipping carton.

**1.** If possible, disconnect and move freestanding or slide-in range from cabinet opening to provide easier access to rear wall. Otherwise put a thick, protective covering over countertop, cooktop or range to protect from damage or dirt. Select a flat surface for assembling the unit. Cover that surface with a protective covering and place all hood parts and hardware in it.

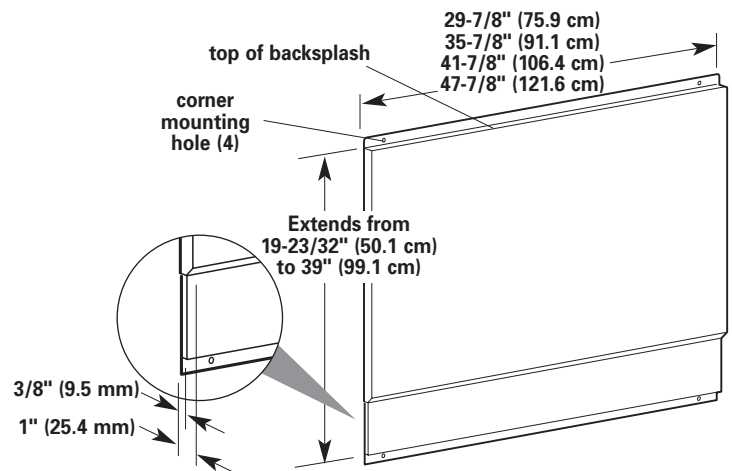
**2.** Determine and mark the centerline on the wall where the hood will be installed. If the vent system is already installed, use centerline of vent opening.

**3.** If venting horizontally out the back of hood and vent system is not installed, mark and cut vent opening now.

**4. Important:** If used, Backsplash Kit must be installed **before** installing the hood. If a backsplash is not used, go to Step 5.

**Backsplash installation:** (The hardware package supplied with the kit includes 4 plastic wall anchors and mounting screws.)

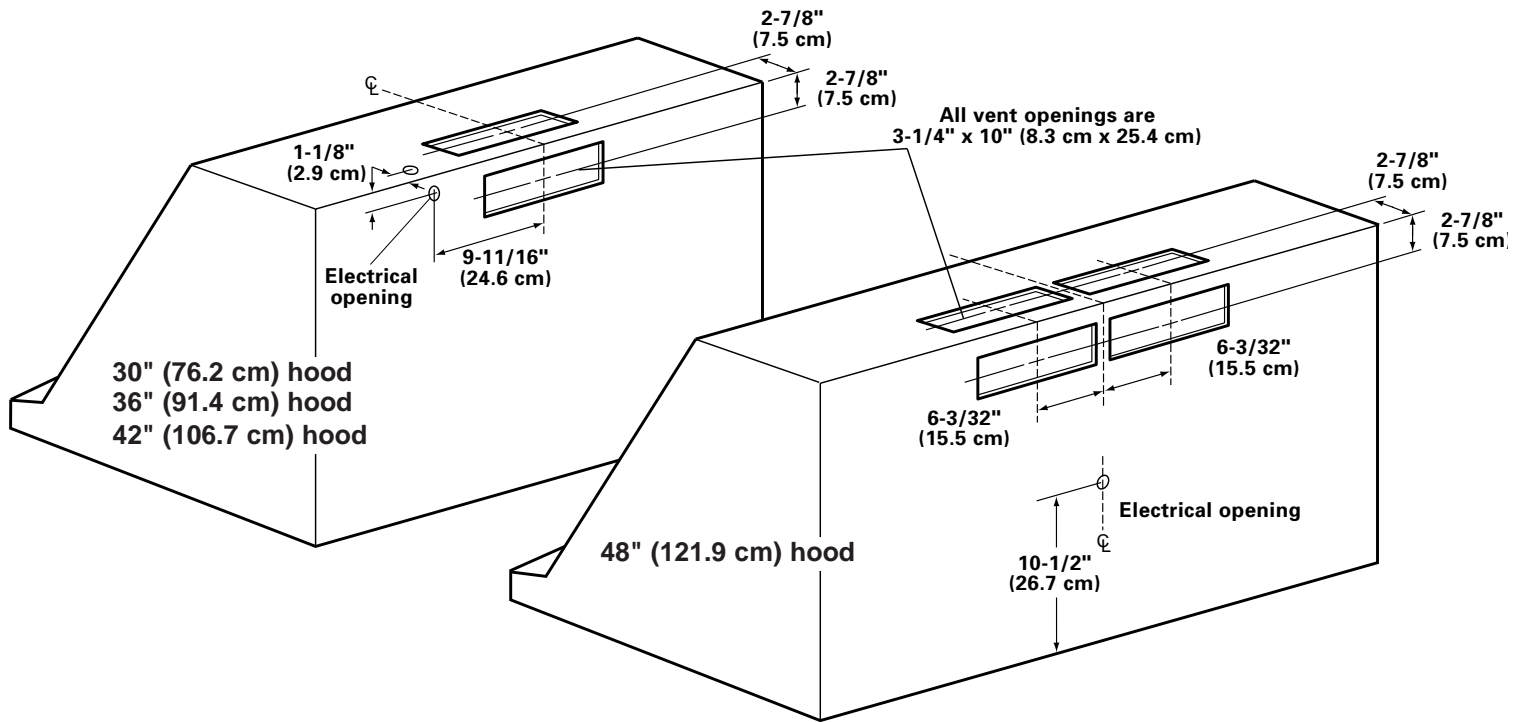
•The height of the backsplash will determine the height



of the hood. Note: The minimum height of the hood above the cooktop, as shown on Page 3, is 30" (76.2 cm). The backsplash can be extended from 19-23/32" (50.1 cm) to 39" (99.1 cm). Note: As the 30" (76.2 cm) installation height **increases**, the hood's capture area **decreases**.

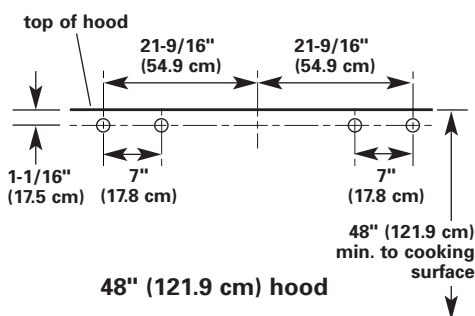
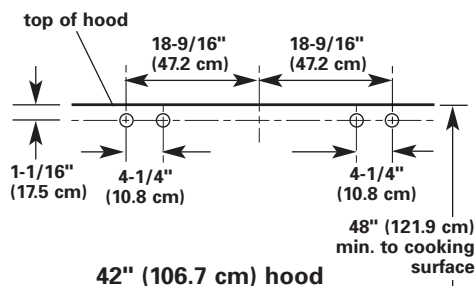
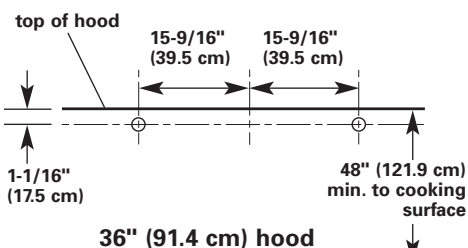
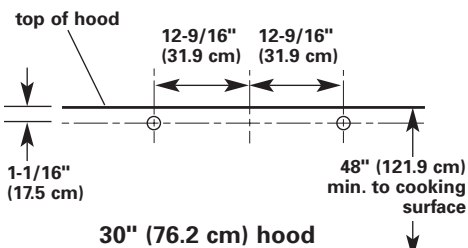
- Determine the height of the hood.
- Position the hood on the wall so that the top of the backsplash is at the height of the bottom edge of hood. Mark the location of the four corner holes. It is recommended that the backsplash be attached to the wall at all four corners. However, the lower flange can be secured between the wall and backsplash, countertop or cabinet base without using the bottom corner screws.
- Drill 5/16" (8 mm) holes.
- Push the plastic wall anchors all the way into the holes.
- Position the holes in the backsplash over the wall anchors and attach using the screws supplied.

## Vent and Electrical openings

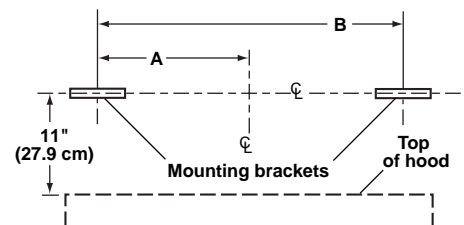


**5.** The hood attaches to the wall with the mounting screws located as shown. For the 30" (76.2 cm) and 36" (91.4 cm) models, there are two mounting screws. For the 42" (106.7 cm) and 48" (121.9 cm) models, there are four mounting screws. Install the screws into the wall until the screw heads are tight against the wall and horizontal.

**Note:** The screws provided for mounting this range hood must be fastened into solid wood. Do Not fasten into sheet rock only.



**5a. Optional vent cover installation:** Attach the full-width vent cover to the top of the range hood with the screws provided. The vent cover must be attached to the top of the range hood before mounting the range hood to the wall.



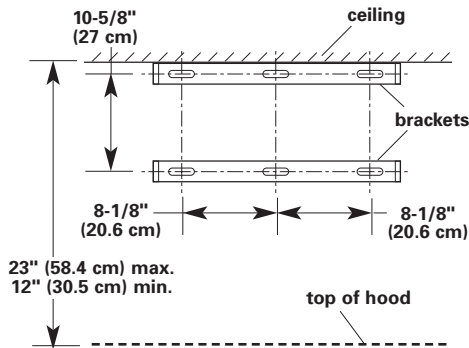
**A**  
30" (76.2 cm) hood: 13-15/32" (34.2 cm)  
36" (91.4 cm) hood: 16-15/32" (41.8 cm)  
42" (106.7 cm) hood: 19-15/32" (49.4 cm)  
48" (121.9 cm) hood: 22-15/32" (57.1 cm)

**B**  
30" (76.2 cm) hood: 26-15/16" (68.4 cm)  
36" (91.4 cm) hood: 32-15/16" (83.7 cm)  
42" (106.7 cm) hood: 38-15/16" (98.9 cm)  
48" (121.9 cm) hood: 44-15/16" (114.1 cm)

Install each bracket on the wall as shown. **Make sure that the screws and brackets are securely fastened to the wall.**

**Install only the brackets. Do not install the hood.**

**5b.** If chimney extension is used: Attach the extension brackets as shown.



**Make sure that the screws are securely fastened to the wall.**

**6.** Determine and make all necessary cuts in the wall for the vent system. Install the vent system before the canopy hood. See venting methods on Page 4, and hood vent opening dimensions on Page 6.

**7.** Determine the required height for the power supply cable and cut a 1-1/4" (3.2 cm) hole at this location. Run wire through hole according to the National Electrical Code or CSA Standards and local codes and ordinances. There must be enough power supply cable from the fused disconnect (or circuit breaker) box to make the connection in the hood's electrical box.

Use caulking to seal all openings.

**Do Not turn on power until installation is completed.**

**8.** Remove the terminal box cover from the canopy hood. Remove the power supply cable knockout using a flat-blade screwdriver. Attach conduit connector into power supply cable opening so that conduit connector clamping screws are inside of canopy hood.

**⚠ WARNING**

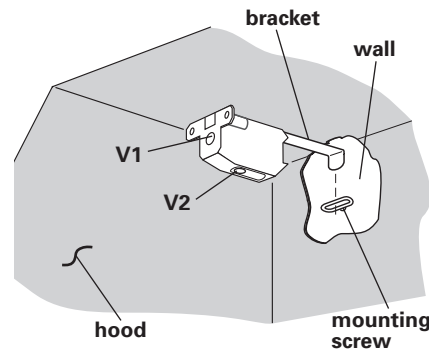
**Excessive Weight Hazard**

**Use two or more people to move and install range hood.**

**Failure to do so can result in back or other injury.**

**9.** If roof or wall cap does not have a damper, attach damper to exhaust opening(s) on top of the hood using two Phillips-head screws.

**10.** If 48" (121.9 cm) hood is to be connected to 10" (25.4 cm) round vent system, install the vent transition piece now.



30" (76.2 cm) hood has two brackets  
 36" (91.4 cm) hood has two brackets  
 42" (106.7 cm) hood has four brackets  
 48" (121.9 cm) hood has four brackets

**11.** The hood attaches to the wall by screws discussed earlier in the installation instructions at Step 5. The hood hangs from these screws by brackets inside the range hood. Before attempting to hang the hood, use a Phillips screwdriver to rotate the adjustment screw marked V1 counterclockwise to extend the brackets from the canopy.

Hang the range hood by inserting the brackets into the mounting screws as shown. Note: These screws must be installed into solid wood to support the weight of the hood as described in Step 5. Rotate the screws marked V1 to tighten the range hood against the wall.

**Make sure that the range hood is securely tightened against the wall.**

**12.** The brackets are also used to adjust the level of the canopy. Using a Phillips screwdriver, rotate the screw V2 to adjust the level of the canopy.

**13.** Connect vent system to hood. Seal all joints with duct tape.

**14.** If your installation uses the optional vent cover, fit the cover flanges over the brackets. If installation uses the chimney extension, fit the extension over the brackets. Install the upper section first, then fit the lower section over the upper section. Seal extension to hood with duct tape.

## Electrical connection

**⚠ WARNING**

**Electrical Shock Hazard**

**Disconnect power before making electrical connections.**

**Connect ground wire to green ground screw in terminal box.**

**Failure to do so can result in death or electrical shock.**

**15.** Make electrical connection:

- Connect the power supply cable to hood terminal box through the U.L.- or C.S.A.-listed conduit connector.
- Connect the white wire of the power supply cable with the white lead in the hood using a twist-on connector; connect the black wire of the power supply cable with the black lead in the hood using a twist-on connector.
- Connect the power supply green ground wire under the green, ground screw.
- Tighten conduit connector screws.
- Replace the terminal box cover.

## 16. Install the filters.

- Remove the filters from the box and remove the white protective coating from the filters.

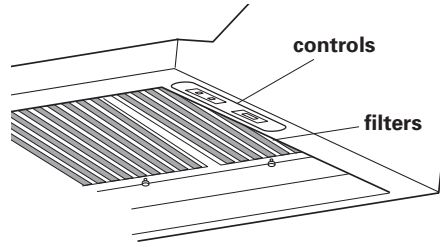
Note: Use two hands to install filter, one to pull and turn the knob, the other to hold the filter in place so that it doesn't fall onto the cooktop.

- Grasp one of the filters so that the knob faces down and toward the back of the hood.
- Insert the filter end without the knob into the retaining channel in the front of the hood.
- Pull and turn the knob to the left (counterclockwise) so that the locking lever does not protrude from the filter.
- Insert the knob end of the filter into the retaining channel in the back of the hood.
- Turn the knob to the right (clockwise) to lock the filter in place.
- Repeat for remaining filters.

## Check operation

### 17. Turn power on.

### 18. The canopy hood controls are located on the right-hand underside of the canopy.



### 19. Check the operation of the range hood:

- Move light switch to "1" position. The light should turn on.
- Move blower switch to "1" position. The blower should operate.
- Move the blower speed switch to: "1" position for low speed, "2" position for medium speed, or "3" position for high speed.
- Move blower and light switches to "0" position to turn blower and light off.

If range hood does not operate:

- Check that the circuit breaker is not tripped or the house fuse blown.
- Disconnect power supply. Check that wiring is correct.

**To get the most efficient use from your new range hood, read the "Use and Care Information" section. Keep your KitchenAid Installation Instructions and Use and Care Guide close to range hood for easy reference.**

## Use and Care Information

**WARNING** — To reduce the risk of fire or electrical shock, do not use this fan with any solid-state speed control device.

**WARNING** — TO REDUCE THE RISK OF FIRE, ELECTRIC SHOCK, OR INJURY TO PERSONS, OBSERVE THE FOLLOWING:

Use this unit only in the manner intended by the manufacturer. If you have questions, contact the manufacturer. Before servicing or cleaning unit, switch power off at service panel and lock the service disconnecting means to prevent power from being switched on accidentally. When the service disconnecting means cannot be locked, securely fasten a prominent warning device such as a tag to the service panel

**CAUTION:** For general ventilating use only. Do not use to exhaust hazardous or explosive materials and vapors.

**WARNING** — TO REDUCE THE RISK OF A RANGE TOP GREASE FIRE:

Never leave surface units unattended at high settings. Boilovers cause smoking and greasy spillovers that may ignite. Heat oils slowly on low or medium settings.

Always turn hood ON when cooking at high heat or when cooking flaming foods.

Clean ventilating fans frequently. Grease should not be allowed to accumulate on fan or filter.

Use proper pan size. Always use cookware appropriate for the size of the surface element.

**WARNING** — TO REDUCE THE RISK OF INJURY TO PERSONS IN THE EVENT OF A RANGE TOP GREASE FIRE, OBSERVE THE FOLLOWING:

**SMOTHER FLAMES** with a close-fitting lid, cookie sheet, or metal tray, then turn off the burner. **BE CAREFUL TO PREVENT BURNS.** If the flames do not go out immediately, **EVACUATE AND CALL THE FIRE DEPARTMENT.**

**NEVER PICK UP A FLAMING PAN** — You may be burned.

**DO NOT USE WATER**, including wet dishcloths or towels — a violent steam explosion will result. Use an extinguisher **ONLY** if:

You know you have a Class ABC extinguisher, and you already know how to operate it.

The fire is small and contained in the area where it is started.

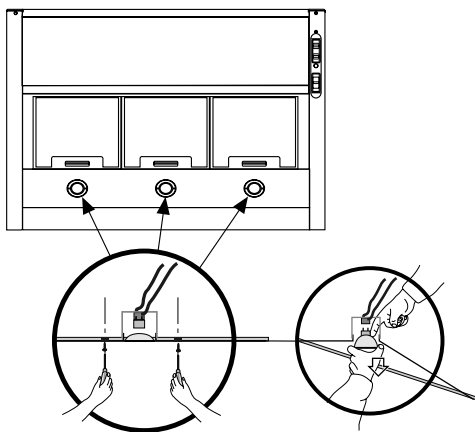
The fire department is being called.

You can fight the fire with your back to an exit.



## Replacing the Halogen lamps:

36" (91.4 cm) and 42" (106.7 cm) hoods shown.



Before you begin, make sure that the range hood is turned off and that the other lamps have had sufficient time to cool. Halogen bulbs burn extremely hot.

To replace a halogen lamp:

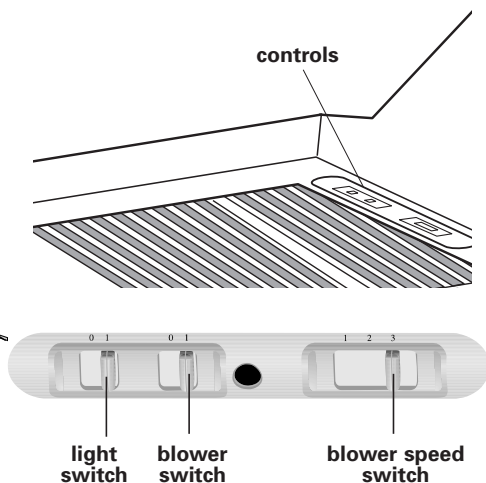
- Remove 2 screws from the circular metal trim around the lamp assembly.
- Pull the trim with the lamp assembly attached down far enough so that the lamp can be pushed out of the socket.
- Insert the new lamp into the socket and push the lamp and trim assembly back up into the hood.
- Replace the trim.

## Operation

The canopy hood is designed to remove smoke, cooking vapors and odors from the cooktop area. For best results, start the hood before cooking and allow it to operate several minutes after the cooking is complete to clear all smoke and odors from the kitchen.

## Opening the canopy hood control panel:

The hood controls are located on the right-hand underside of the canopy.



### Operating the light:

ON: Move the light switch to the "1" position.

OFF: Move the light switch to the "0" position.

### Operating the blower:

ON: Move the blower switch to the "1" position.

OFF: Move the blower switch to the "0" position.

### Adjusting the blower speed:

The blower has three speed control.

Move the blower speed switch to: "1" position for low speed, "2" position for medium speed, or "3" position for high speed.

## Cleaning

### Filters:

The filters should be washed frequently. Place metal filters in dishwasher or hot detergent solution to clean.

To remove filters:

Note: Use two hands to remove filters, one to pull and turn the knob, the other to hold the filter so that it doesn't fall onto the cooktop.

- Pull knob forward, toward the front of the hood, while turning the knob to the left (counterclockwise) to release the locking lever.

To reinstall filters, see Step 16.

### Exterior surfaces:

- Do not use steel wool or soap-filled scouring pads.
- Rub in direction of the grain line to avoid marring the surface.
- Always wipe dry to avoid water marks.
- KitchenAid® Professional Formula Stainless Steel Cleaner & Polish is the cleaner recommended for cleaning stainless steel surfaces on this product. To order call our Customer Service Center at 1-800-442-9991 or order on-line at [www.applianceaccessories.com](http://www.applianceaccessories.com) and ask for part number 8171420. To order from Canada, call 1-800-807-6777.
- If commercial cleaners are used, follow label directions. Do not use products that contain chlorine (bleach). Chlorine is a corrosive substance.

For routine cleaning and fingerprints, use liquid detergent soap and water, or all-purpose cleaner. Wipe with damp cloth or sponge, then rinse with clean water and wipe dry.

## Installation kits *available from your dealer*

**Optional Installation Kits** available from your dealer.

Note: Kits are available in stainless steel only.

**Backsplash:** Must be installed before hood is installed.

30" (76.2 cm) hood: Kit No. 8285148

36" (91.4 cm) hood: Kit No. 8284756

42" (106.7 cm) hood: Kit No. 8284827

48" (121.9 cm) hood: Kit No. 8284755

**Vent covers:** 12" (30.5 cm) high, 12" (30.5 cm) deep.

30" (76.2 cm) hood: Kit No. 8285149

36" (91.4 cm) hood: Kit No. 8284753

42" (106.7 cm) hood: Kit No. 8284828

48" (121.9 cm) hood: Kit No. 8284752

**Chimney extensions:** extends from 12" (30.5 cm) to 23" (58.4 cm) high. For use with 30" (76.2 cm), 36" (91.4 cm), 42" (106.7 cm) and 48" (121.9 cm) hoods: Kit No. 8284754

**Vent transition:** transitions from two 3-1/4" x 10" (8.3 x 25.4 cm) vents to one 10" (25.4 cm) round vent. Not for use with chimney extension Kit No. 8284754.

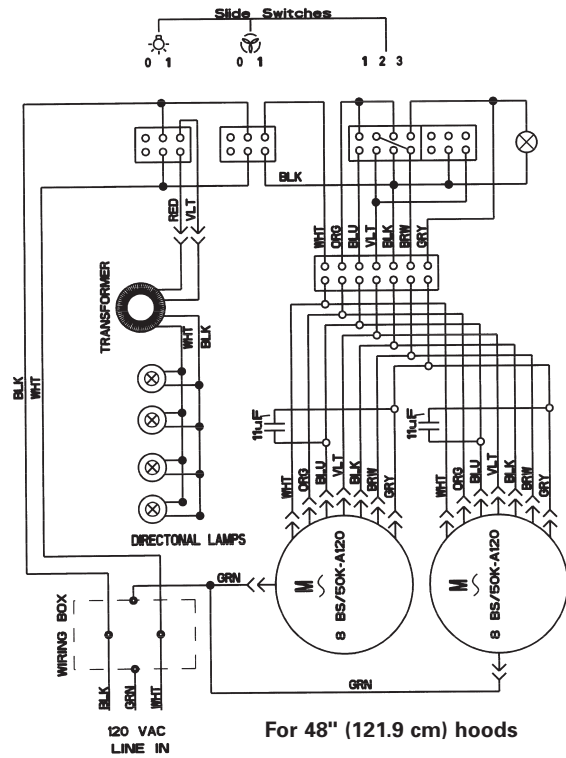
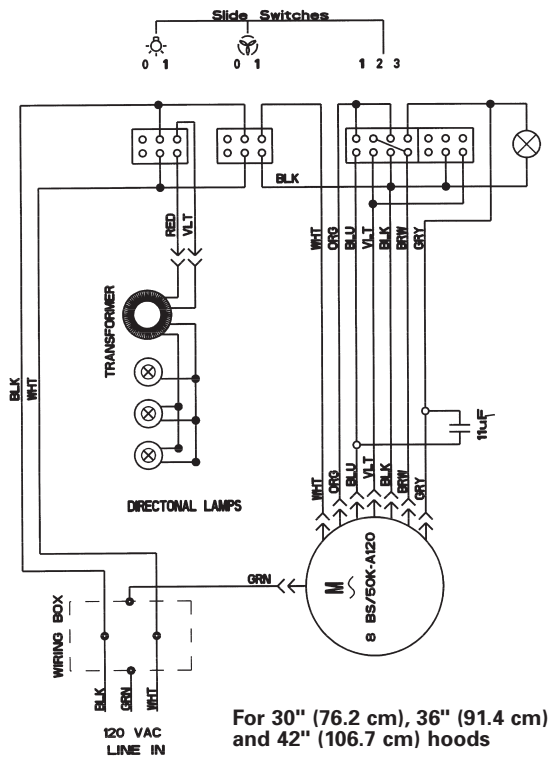
30" (76.2 cm) hood: Not available

36" (91.4 cm) hood: Not available

42" (106.7 cm) hood: Not available

48" (121.9 cm) hood: Kit No. 8284757

# Wiring diagrams



# Warranty

## KitchenAid® Range Hood Warranty

LENGTH OF WARRANTY	KitchenAid WILL PAY FOR
LIMITED ONE-YEAR WARRANTY From Date of Purchase	Labor and any parts of your range hood (except light bulbs and filters) which are defective in materials or workmanship.
KitchenAid WILL NOT PAY FOR	

- A. Consumable parts such as light bulbs and filters.
- B. Service calls to:
  1. Correct the installation of the range hood.
  2. Instruct you how to use the range hood.
  3. Replace house fuses or correct house wiring.
- C. Repairs when range hood is used in other than normal, single-family household use.
- D. Pickup and delivery. This product is designed to be repaired in the home.
- E. Damage to range hood caused by accident, misuse, fire, flood, act of God or use of products not approved by KitchenAid.

**KITCHENAID AND KITCHENAID CANADA DO NOT ASSUME ANY RESPONSIBILITY FOR INCIDENTAL OR CONSEQUENTIAL DAMAGES.** Some states or provinces do not allow the exclusion or limitation of incidental or consequential damages, so this exclusion or limitation may not apply to you.

**This warranty gives you specific legal rights, and you may also have other rights which may vary from state to state or province to province.**

**Outside the United States and Canada, a different warranty may apply. For details, please contact your authorized KitchenAid dealer.**

If you need service, first see the "Check Operation" section of this book. After checking the "Check Operation," additional help can be found by checking the "Requesting Assistance or Service" section or by calling our KitchenAid Customer Interaction Center, 1-800-235-0665 (toll-free), from anywhere in the U.S.A. or Canada.

# Requesting Assistance or Service

To avoid unnecessary service calls, please check the "Check Operation" section. It may save you the cost of a service call. If you still need help, follow the instructions below.

## If you need assistance or service in U.S.A.

**Call the KitchenAid Customer Interaction Center toll-free at 1-800-235-0665.**

**Our consultants are available to assist you.**

When calling: Please know the purchase date, and the complete model and serial number of your appliance. This information will help us better respond to your request.



**Our consultants provide assistance with:**

- Features and specifications on our full line of appliances
- Installation information

- Use and maintenance procedures
- Accessory and repair parts sales
- Specialized customer assistance (Spanish speaking, hearing impaired, limited vision, etc.)
- Referrals to local dealers, service companies, and repair parts distributors

KitchenAid designated service technicians are trained to fulfill the product warranty and provide after-warranty service, anywhere in the United States.

To locate the designated KitchenAid service company in your area, you can also look in your telephone directory Yellow Pages.

## If you need replacement parts

If you need to order replacement parts, we recommend that you only use factory-authorized parts. These parts will fit right and work right, because they are made to the same exacting specifications used to build every new KitchenAid\* appliance.

To locate factory-authorized parts in your area, call our Customer Interaction Center telephone number, your nearest authorized service center, or KitchenAid Factory Service at 1-800-442-1111.

## For further assistance

If you need further assistance, you can write to KitchenAid with any questions or concerns at:

KitchenAid Brand Home Appliances  
Customer Interaction Center  
c/o Correspondence Dept.  
2000 North M-63  
Benton Harbor, MI 49022-2692

Please include a daytime phone number in your correspondence.

# Requesting Assistance or Service

Before calling for assistance or service, please check the "Check Operation" section. It may save you the cost of a service call. If you still need help, follow the instructions below.

## If you need assistance or service in Canada

### 1. If the problem is not due to one of the items listed in "Check Operation"†...



Contact the dealer from whom you purchased your appliance, or call the KitchenAid Canada Customer Interaction Center toll-free, 8:30 a.m. – 6 p.m. (EST), at 1-800-235-0665.

### 2. If you need service†...

Contact your nearest KitchenAid Canada Appliance Service branch or authorized servicing outlet to service your appliance. (See list below.) Make sure the service company you contact is authorized to service your appliance during the warranty period.

†When asking for assistance or service, please provide a detailed description of the problem, your appliance's complete model and serial numbers, and the purchase date. This information will help us respond properly to your request.

### KitchenAid Canada Appliance Service – Consumer Services

Direct service branches:

<b>BRITISH COLUMBIA</b>		1-800-665-6788
<b>ALBERTA</b>		1-800-661-6291
<b>ONTARIO</b> (except 807 area code)	Ottawa area Outside the Ottawa area	1-800-267-3456 1-800-807-6777
<b>MANITOBA, SASKATCHEWAN</b> and 807 area code in ONTARIO		1-800-665-1683
<b>QUEBEC</b>	Montreal (except South Shore) South Shore Montreal Quebec City Sherbrooke	1-800-361-3032 1-800-361-0950 1-800-463-1523 1-800-567-6966
<b>ATLANTIC PROVINCES</b>		1-800-565-1598

## For further assistance

If you need further assistance, you can write to KitchenAid Canada with any questions or concerns at:

Consumer Relations Department  
KitchenAid Canada  
1901 Minnesota Court  
Mississauga, Ontario L5N 3A7

Please include a daytime phone number in your correspondence.

# Instructions d'installation et Guide d'utilisation et d'entretien

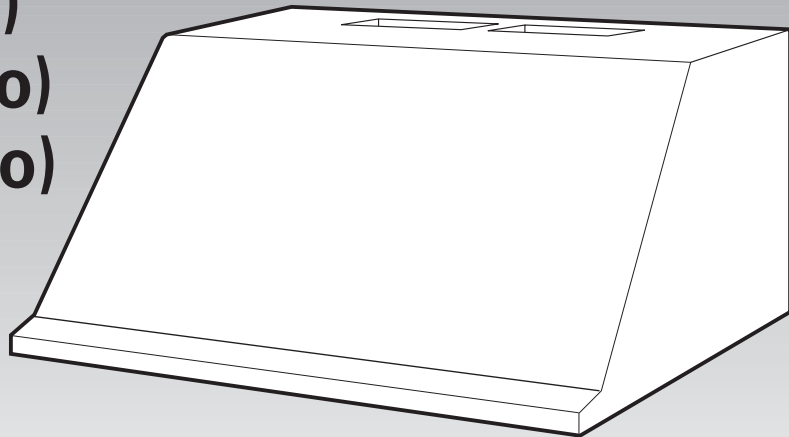
## Hotte d'aspiration pour cuisinière Pro Line™ - montage mural

76,2 cm (30 po)

91,4 cm (36 po)

106,7 cm (42 po)

121,9 cm (48 po)



### IMPORTANT:

**Lire et conserver  
ces instructions.**

#### IMPORTANT:

**Installateur :** Remettre les instructions d'installation au propriétaire de l'appareil.

**Propriétaire :** Conserver les instructions d'installation pour consultation ultérieure.

**Conserver** les instructions d'installation à l'intention de l'inspecteur local des installations électriques.

Pièce N° 4329454/8285147

### Référence rapide

#### Table des matières :

##### Pages

<b>2</b>	Avant de commencer...
<b>3</b>	Dimensions du produit
<b>3</b>	Dimensions des placards
<b>3</b>	Circuit de décharge de l'air
<b>5</b>	Alimentation électrique
<b>5</b> - <b>7</b>	Les étapes de l'installation
<b>8</b>	Utilisation et entretien
<b>9</b>	Schéma de câblage
<b>9</b>	Accessoires
<b>10</b>	Garantie
<b>11</b> - <b>12</b>	Demande d'assistance ou de service

## Avant de commencer . . .

### Votre sécurité et celle des autres est très importante.

Nous donnons de nombreux messages de sécurité importants dans ce manuel, et sur votre appareil ménager. Assurez-vous de toujours lire tous les messages de sécurité et de vous y conformer.



Voici le symbole d'alerte de sécurité.

Ce symbole d'alerte de sécurité vous signale les dangers potentiels de décès et de blessures graves à vous et à d'autres.

Tous les messages de sécurité suivront le symbole d'alerte de sécurité et le mot «DANGER» ou «AVERTISSEMENT». Ces mots signifient :

## ! DANGER

Risque possible de décès ou de blessure grave si vous ne suivez pas immédiatement les instructions.

## ! AVERTISSEMENT

Risque possible de décès ou de blessure grave si vous ne suivez pas les instructions.

Tous les messages de sécurité vous diront quel est le danger potentiel et vous disent comment réduire le risque de blessure et ce qui peut se produire en cas de non-respect des instructions.

### Important : Observer les dispositions de tous les codes et règlements en vigueur.

C'est à vous qu'incombe la responsabilité de :

- Demander à un technicien qualifié d'installer cette hotte.
- Respecter lors de l'installation les dégagements de séparation spécifiés sur la plaque signalétique de l'appareil.

La plaque signalétique (avec numéro de modèle et numéro de série) est située à l'intérieur de la hotte, sur la paroi arrière.

La hotte d'aspiration devrait toujours être installée à distance des sources de courants d'air comme fenêtres, portes et bouches de chauffage.

On doit respecter les dimensions indiquées pour l'ouverture dans le placard. Les dimensions indiquées

tiennent compte des dégagements de séparation nécessaires. Avant d'effectuer un découpage, consulter les instructions d'installation fournies par le fabricant de la cuisinière ou table de cuisson.

**Une prise de courant électrique reliée à la terre est nécessaire.** Voir « Spécifications de l'installation électrique ».

La hotte d'aspiration est configurée à l'usine pour la décharge à travers le toit ou un mur. Pour la décharge directe à travers un mur, on doit changer l'orientation du ventilateur pour le placer face à l'arrière de la hotte.

**Assurer l'étanchéité au niveau de chaque ouverture découpée dans le plafond ou le mur pour l'installation de la hotte.**

**AVERTISSEMENT – POUR MINIMISER LES RISQUES D'INCENDIE, CHOC ÉLECTRIQUE OU DOMMAGES CORPORELS, OBSERVER LES PRESCRIPTIONS SUIVANTES :**

Le travail d'installation et de câblage électrique doit être exécuté par des personnes compétentes et en conformité avec les prescriptions des normes et codes applicables, ceci incluant les normes de résistance au feu des éléments de construction. La disponibilité d'un volume d'air approprié pour l'alimentation de l'équipement à combustion et l'évacuation des gaz de combustion par la cheminée pour qu'il n'ait pas de reflux est nécessaire. Respecter les directives du fabricant de l'équipement de chauffage et les normes de sécurité, publiées par des organismes comme la National Fire Protection Association (NFPA), et la American Society of Heating Refrigeration and Air Conditioning Engineers (ASHRAE), et par les autorités réglementaires locales.

Lors de toute opération de découpage ou de perçage dans une cloison ou un plafond, veiller à ne pas endommager les câbles électriques et canalisations qui peuvent s'y trouver.

Le conduit de décharge associé à un ventilateur doit se terminer à l'extérieur.

**AVERTISSEMENT – Pour réduire le risque d'incendie, utiliser uniquement des conduits métalliques.** Cet appareil doit être relié à la terre.

## Pièces nécessaires :

**2 connecteurs de conduit 12,5 mm (1/2 po) - homologation U.L. ou CSA**

**câble d'alimentation**

**1 bouche de décharge pour toit ou mur**

**conduit d'évacuation métallique**

## Pièces fournies :

**Plaquettes d'obturation**

(orifices de sortie) :

76,2 cm (30 po) = 1

91,4 cm (36 po) = 1

106,7 cm (42 po) = 1

121,9 cm (48 po) = 2

**Vis de montage:**

76,2 cm (30 po) = 2

91,4 cm (36 po) = 2

106,7 cm (42 po) = 4

121,9 cm (48 po) = 4

**Vis pour volet de réglage :**

76,2 cm (30 po) = 2

91,4 cm (36 po) = 2

106,7 cm (42 po) = 2

121,9 cm (48 po) = 4

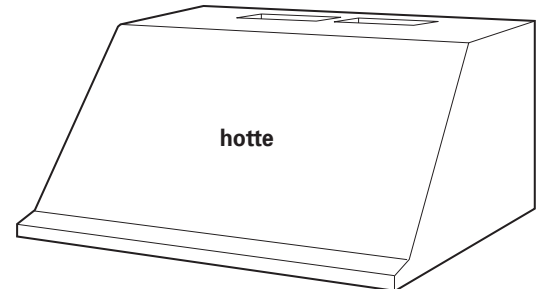
**Volet de réglage:**

76,2 cm (30 po) = 1

91,4 cm (36 po) = 1

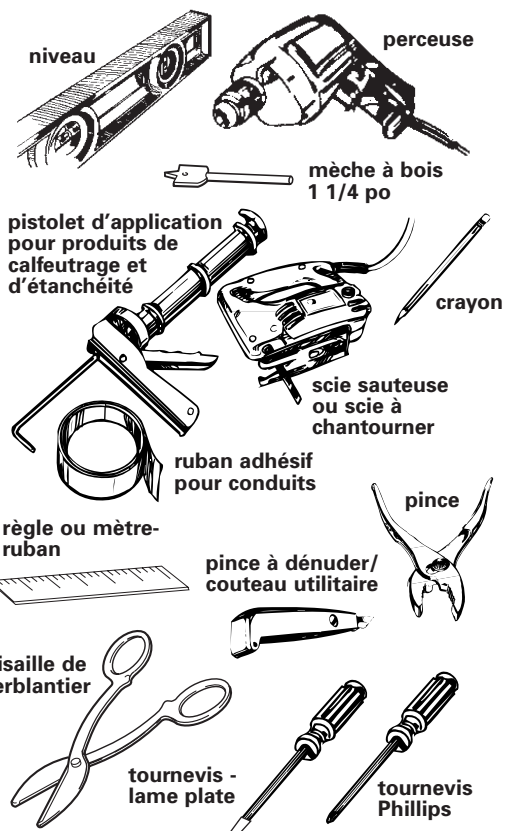
106,7 cm (42 po) = 1

121,9 cm (48 po) = 2

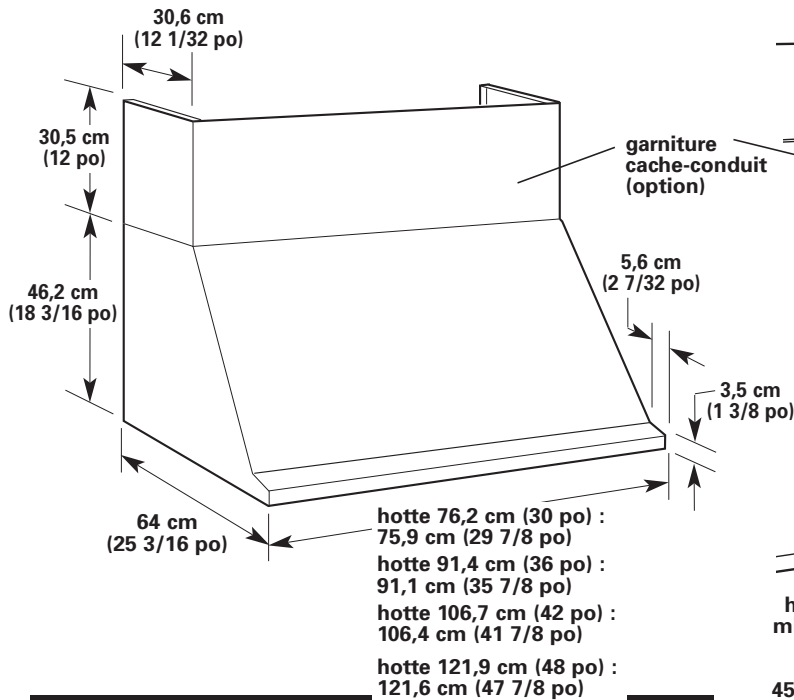


**Note : D'autres pièces sont disponibles chez le revendeur local (voir page 9) : dossier, garniture cache-conduit (pour le sommet de la hotte), raccord de transition et ensemble d'extension de cheminée. Ces pièces peuvent être nécessaires dans certaines installations, et elles doivent alors être utilisées lors de l'installation de la hotte conformément aux instructions d'installation.**

## Outils nécessaires :



## Dimensions du produit



## Circuit de décharge de l'air

Le système doit décharger l'air à l'extérieur.

Ne pas terminer le conduit d'évacuation au-dessus d'un plafond ou dans autre espace fermé.

Ne pas utiliser une bouche de décharge murale de 10,2 cm (4 po) normalement utilisée pour un appareil de buanderie.

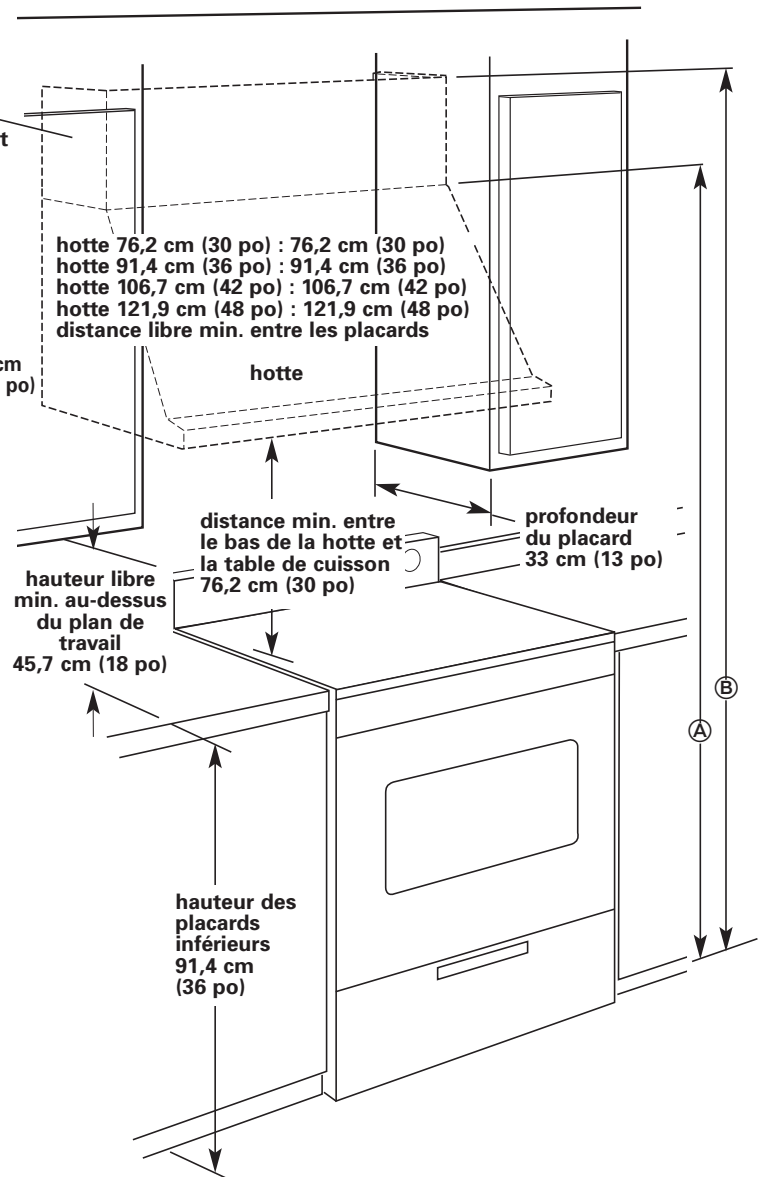
**Utiliser uniquement du conduit métallique. On recommande l'emploi de conduit métallique rigide. Ne pas utiliser des conduits de plastique ou de métal mince/flexible.**

## Pour un fonctionnement efficace et silencieux :

- La taille du conduit d'évacuation doit être uniforme.
- Ne pas utiliser plus de trois coudes à 90°.
- S'il est nécessaire d'installer plusieurs coudes, ceux-ci devront être séparés par une section rectiligne d'au moins 61 cm (24 po).
- Ne pas raccorder deux coudes ensemble.
- Pour maximiser l'efficacité, minimiser la longueur effective totale du système de décharge et le nombre de coudes.
- Le système de décharge doit comporter un volet de réglage. Si la bouche de décharge (sur le toit ou à travers le mur) comporte un volet de réglage, ne pas utiliser le volet de réglage fourni avec la hotte.
- Au niveau de chaque jointure du système de décharge, assurer l'étanchéité avec du ruban adhésif pour conduit.
- Autour de la bouche de décharge à l'extérieur, assurer l'étanchéité avec un produit de calfeutrage.

Déterminer la méthode d'évacuation de l'air la plus appropriée pour l'application, et exécuter la préparation décrite dans les instructions d'installation à la page 5.

## Dimensions des placards



Ⓐ Pour installation avec hotte seulement – minimum de 213,8 cm (84 3/16 po).

Ⓑ Pour installation avec garniture cache-conduit (option) – minimum de 244,3 cm (96 3/16 po).

Pas de limitation pour la hauteur du plafond au-dessus de la hotte ou de la hotte avec garniture.

# Configurations de circuit de décharge

La hotte d'aspiration est configurée à l'usine pour la décharge à travers le toit ou un mur. Pour l'évacuation par l'arrière, il faut modifier l'orientation du ventilateur à l'intérieur de la hotte pour que le ventilateur rejette l'air par l'arrière. Pour cela, ôter les deux vis de chaque côté du ventilateur, changer l'orientation du ventilateur pour placer la décharge face à l'arrière, puis réinstaller les vis. On doit ensuite déplacer les plaquettes d'obturation pour obturer les ouvertures non utilisées. On doit effectuer cette conversion avant d'installer la hotte.

## Le conduit d'évacuation nécessaire n'est pas inclus.

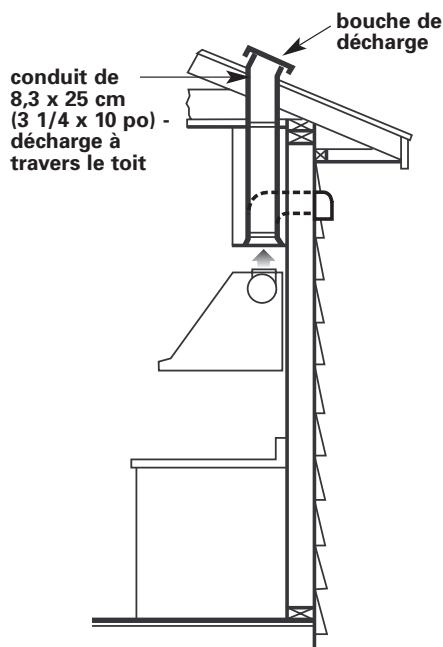
Les modèles de 76,2 cm (30 po), 91,4 cm (36 po) et 106,7 cm (42 po) comportent une ouverture de décharge. On peut utiliser un conduit d'évacuation rectangulaire de 8,3 x 25 cm (3 1/4 x 10 po), ou un conduit circulaire de 17,8 cm (7 po), 20,3 cm (8 po), 22,9 cm (9 po) ou 25,4 cm (10 po) de diamètre. La hotte comporte un orifice de décharge de 8,3 x 25 cm (3 1/4 x 10 po).

La hotte de 121,9 cm (48 po) comporte deux ouvertures de décharge de 8,3 x 25 cm (3 1/4 x 10 po). On recommande l'utilisation de l'ensemble de transition de conduit d'évacuation n° 8284757 pour connecter les deux ouvertures à un conduit circulaire de 25,4 cm (10 po) de diamètre. (Ne peut être utilisé avec l'ensemble d'extension de cheminée n° 8284754.)

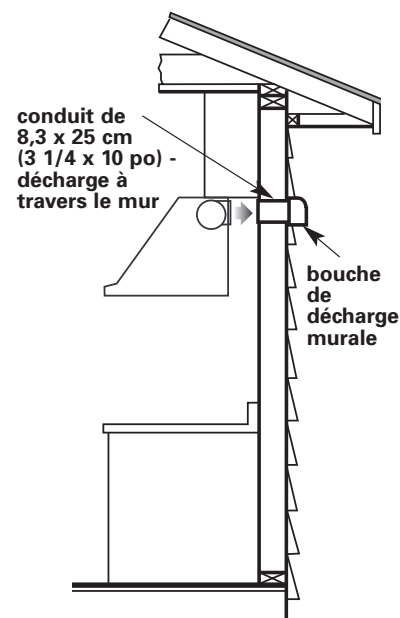
Le circuit de décharge peut décharger l'air à l'extérieur à travers le mur ou à travers le toit.

La longueur effective du circuit ne doit pas être

Décharge à travers le toit



Décharge horizontale à travers le mur



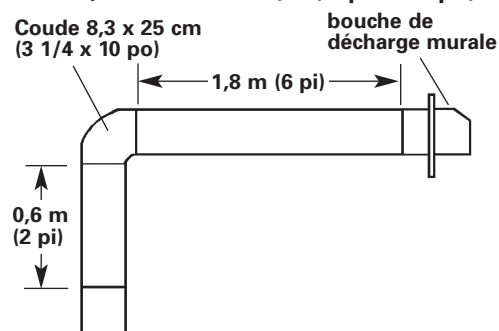
Taille des conduits	Longueur maximale
8,3 x 25 cm (3 1/4 x 10 po)	10,7 m (35 pi)
Rond, dia. 17,8 cm (7 po)	12,2 m (40 pi)
Rond, dia. 20,3 cm (8 po)	15,2 m (50 pi)
Rond, dia. 22,9 cm (9 po)	18,3 m (60 pi)
Rond, dia. 25,4 cm (10 po)	18,3 m (60 pi)

## Calcul de la longueur effective du système de décharge

Pour calculer la longueur effective du système de décharge, on doit tenir compte de la longueur équivalente de chaque composant du système.

Composant	Conduit rectangulaire 8,3 x 25 cm (3 1/4 x 10 po)	Conduit rond, dia 17,8 cm (7 po), 20,3 cm (8 po) 22,9 cm (9 po), 25,4 cm (10 po)
coude à 45°	2,1 m (7 pi)	0,8 m (2,5 pi)
coude à 90°	1,5 m (5 pi)	1,5 m (5 pi)
coude à 90° plat	3,7 m (12 pi)	
raccord de transition rectangle-rond	1,5 m (5 pi)	
bouche de décharge murale	0 m (0 pi)	

### Exemple pour conduit d'évacuation de 8,3 cm x 25 cm (3 1/4 po x 10 po)



<b>Longueur maximale</b>	<b>= 10,7 m (35 pi)</b>
1 — coude à 90°	= 1,5 m (5 pi)
Section droite 2,4 m (8 pi)	= 2,4 m (8 pi)
1 — bouche de décharge murale	= 0 m (0 pi)

Longueur effective de conduit de 8,3 x 25 cm (3 1/4 x 10 po) = 4 m (13 pi)

### Note : On déconseille l'emploi de conduit d'évacuation flexible.

Un conduit d'évacuation flexible crée une contre-pression et une turbulence de l'air qui réduisent considérablement la performance.



# Alimentation électrique

**Important :** Respecter les prescriptions de tous les codes et règlements en vigueur.

C'est au client qu'incombe la responsabilité de :

- Contacter un électricien qualifié pour l'installation.
- Veiller à ce que l'installation électrique soit réalisée d'une manière adéquate et en conformité avec les prescriptions du Code national des installations électriques ANSI/NFPA 70 - dernière édition\*, ou des normes CSA C22.1.94 / Code canadien de l'électricité, 1<sup>ère</sup> partie et C22.2 N° 0-M91 - dernière édition\*\*, et avec les prescriptions de tous les codes et règlements locaux en vigueur.

Si un conducteur distinct de liaison à la terre est utilisé lorsque le code le permet, on recommande qu'un électricien qualifié vérifie que la liaison à la terre est adéquate.

L'appareil doit être alimenté par un circuit de 120 volts, 60 Hz, CA seulement, 15 A, avec un fusible sur

chaque conducteur.

**Ne pas utiliser une tuyauterie de gaz pour la liaison à la terre.**

**En cas d'incertitude quant à la qualité de la liaison à la terre de la hotte, consulter un électricien qualifié.**

**Ne pas installer un fusible en série avec le conducteur neutre ou le conducteur de liaison à la terre.**

**IMPORTANT :**  
**Conserver les instructions d'installation à l'intention de l'inspecteur local des installations électriques.**

**La hotte doit être raccordée au réseau électrique uniquement avec des conducteurs de cuivre.**

La hotte doit être raccordée directement au coupe-circuit avec fusibles ou aux disjoncteurs par l'intermédiaire de câble à conducteurs de cuivre, à blindage métallique flexible ou à gaine non métallique. Un passe-fil (homologation UL ou CSA) doit être installé à chaque extrémité du câble

d'alimentation. Le calibre des conducteurs (CUIVRE SEULEMENT) et les pièces de connexion doivent être compatibles avec la demande de courant de l'appareil spécifiée sur la plaque signalétique.

La taille des conducteurs doit satisfaire les prescriptions du Code national des installations électriques ANSI/NFPA 70 - dernière édition\*, ou des normes CSA C22.1.94 / Code canadien de l'électricité, 1<sup>ère</sup> partie et C22.2 N° 0-M91 - dernière édition\*\*, et avec les prescriptions de tous les codes et règlements locaux en vigueur.

Un connecteur de conduit (homologation UL ou CSA) doit être installé à chaque extrémité du câble d'alimentation (sur la hotte et sur la boîte de connexion).

On peut obtenir aux adresses suivantes des exemplaires des normes mentionnées :

\* National Fire Protection Association  
One Batterymarch Park  
Quincy, Massachusetts 02269

\*\* CSA International  
8501 East Pleasant Valley Road  
Cleveland, Ohio 44131-5575

## Les étapes de l'installation

### Préparation

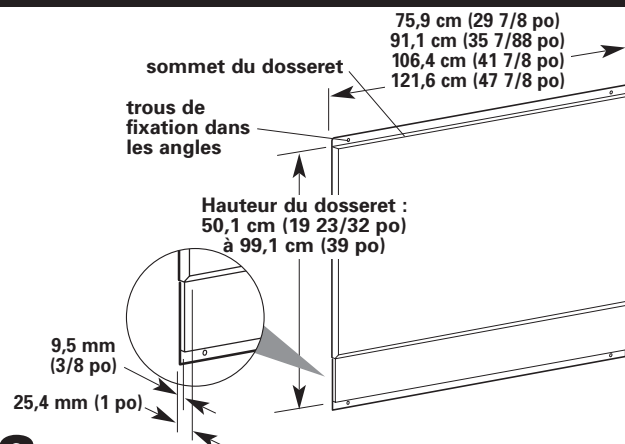
Il est préférable que le circuit d'évacuation soit installé avant l'installation de la hotte. On ne doit couper une solive ou un poteau de colombage que lorsque cela est absolument nécessaire. S'il est nécessaire de couper une solive ou un poteau du colombage, on doit construire une structure de support appropriée.

Avant d'effectuer le découpage, vérifier que les distances de séparation appropriées seront respectées autour du conduit d'évacuation, dans le plafond ou la cavité du mur.

Vérifier que toutes les pièces nécessaires pour l'installation et la boîte comportant les filtres ont été retirées de l'emballage.

**1.** Si c'est possible, débrancher la cuisinière (autonome ou mobile), et retirer la cuisinière de son encastrement entre les placards pour pouvoir accéder au mur arrière. Sinon, placer un épais matériau de protection sur le plan de travail, la table de cuisson ou la cuisinière, pour la protection contre la poussière et les dommages éventuels. Choisir une surface plane pour l'assemblage de l'appareil. Recouvrir cette surface d'un matériau de protection approprié avant d'y placer tous les composants de la hotte et les accessoires.

**2.** Sur le mur, marquer la ligne qui correspondra à l'axe central de la hotte après son installation. Si le circuit d'évacuation est déjà installé, utiliser l'axe central de l'ouverture du conduit.



**3.** Pour une décharge par l'arrière/horizontalement, si le circuit d'évacuation n'est pas installé, tracer et découper maintenant l'ouverture de passage du conduit.

**4. Important :** Si un dossieret doit être utilisé (option), on doit l'installer **avant** la hotte.

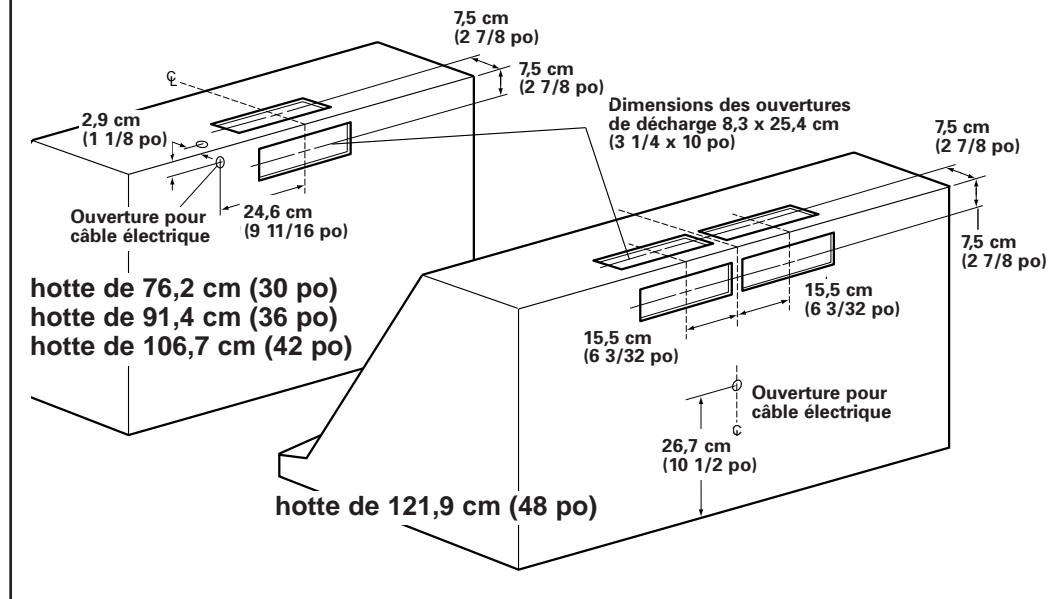
Si aucun dossieret n'est utilisé, passer à l'étape 5.

**Installation du dossieret :** (Cet ensemble comporte 4 chevilles de plastique pour l'ancrage mural, et 4 vis de montage.)

- La hauteur du dossieret déterminera la hauteur de la hotte. Note : La hauteur minimale de la hotte au-dessus de la table de cuisson est de 76,2 cm (30 po) (voir page 3). Le dossieret peut être prolongé de 50,1 cm (19 23/32 po) à 99,1 cm (39 po). Note : **L'augmentation** de la hauteur de 76,2 cm (30 po) s'accompagne d'une **diminution** de l'aire de capture de la hotte.

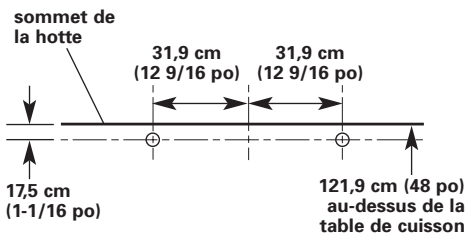
- Déterminer la hauteur d'installation de la hotte.
- Positionner la hotte contre le mur en faisant coïncider le bord inférieur de la hotte avec le sommet du dosseret. Marquer la position des quatre trous des angles. On recommande que le dosseret soit fixé au mur dans les quatre angles ; cependant on peut aussi ne pas placer les vis des angles inférieurs et caler la lèvre inférieure entre le mur et un dosseret existant, le plan de travail ou le placard inférieur.
- Percer des trous de 8 mm (5/16 po).
- Enfoncer complètement les chevilles de plastique dans les trous.
- Faire coïncider les trous du dosseret avec les chevilles d'ancrage et installer les vis de fixation fournies.

## Ouvertures pour conduit d'évacuation et câble électrique

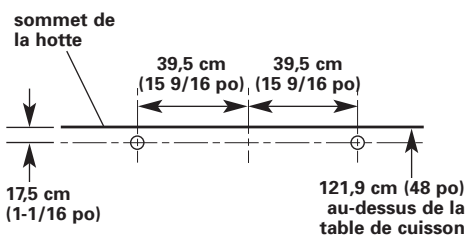


**5.** La hotte doit être fixée au mur avec les vis de montage conformément aux indications de l'illustration. Il y a deux vis de montage pour les modèles de 76,2 cm (30 po) et 91,4 cm (36 po). Il y a quatre vis de montage pour les modèles de 106,7 cm (42 po) et 121,9 cm (48 po). Visser chaque vis horizontalement dans le mur jusqu'à ce que la tête de vis soit bien serrée contre le mur.

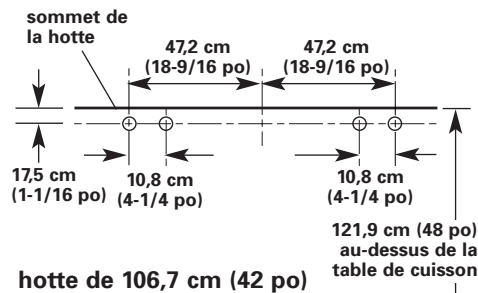
**Note :** Les vis de fixation de la hotte doivent être vissées dans du bois massif. Ne pas visser dans le panneau de gypse seulement.



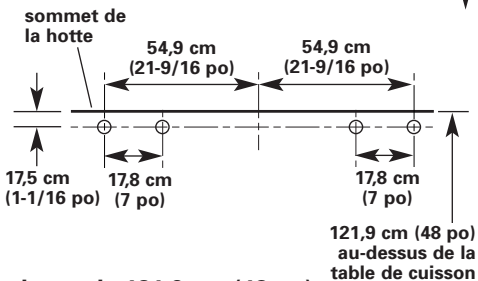
hotte de 76,2 cm (30 po)



hotte de 91,4 cm (36 po)

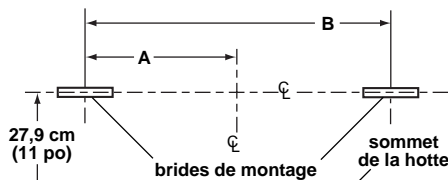


hotte de 106,7 cm (42 po)



hotte de 121,9 cm (48 po)

**5a.** Installation de la garniture cache-conduit (option) : Placer la garniture au sommet de la hotte; fixer avec les vis fournies. La garniture doit être fixée au sommet de la hotte avant l'installation de la hotte sur le mur.

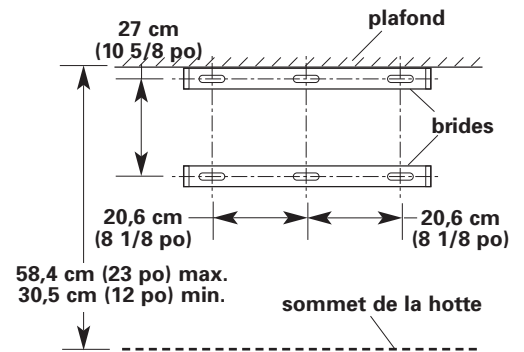


**A**  
 hotte 76,2 cm (30 po) : 34,2 cm (13 15/32 po)  
 hotte 91,4 cm (36 po) : 41,8 cm (16 15/32 po)  
 hotte 106,7 cm (42 po) : 49,4 cm (19 15/32 po)  
 hotte 121,9 cm (48 po) : 57,1 cm (22 15/32 po)

**B**  
 hotte 76,2 cm (30 po) : 68,4 cm (26 15/16 po)  
 hotte 91,4 cm (36 po) : 83,7 cm (32 15/16 po)  
 hotte 106,7 cm (42 po) : 98,9 cm (38 15/16 po)  
 hotte 121,9 cm (48 po) : 114,1 cm (44 15/16 po)

Installer chaque bride sur le mur selon l'illustration. **Veiller à ce que les brides soient solidement fixées sur le mur.** Installer seulement les brides. Ne pas installer la hotte.

**5b.** Utilisation d'une extension de cheminée : Fixer les brides de l'extension selon l'illustration.



**Veiller à ce que les vis soient solidement fixées dans le mur.**

**6.** Tracer et découper l'ouverture nécessaire dans le mur pour le conduit d'évacuation. Installer le circuit de décharge avant la hotte. Voir les configurations de décharge à la page 4. Voir à la page 6 les dimensions des ouvertures de sortie.

**7.** Déterminer la hauteur appropriée pour l'orifice de passage du câble d'alimentation; percer un trou de 32 mm (1 1/4 po) à cet endroit. Faire passer le câble à travers le trou selon les prescriptions du Code national des installations électriques ou de la norme CSA, ou des codes ou règlements locaux en vigueur. La longueur du câble devra être suffisante pour qu'il soit possible de réaliser les connexions adéquates dans la boîte de connexion de la hotte. Assurer l'étanchéité avec un produit de calfeutrage au niveau de chaque ouverture.

**Ne pas mettre le circuit sous tension avant d'avoir achevé l'installation.**

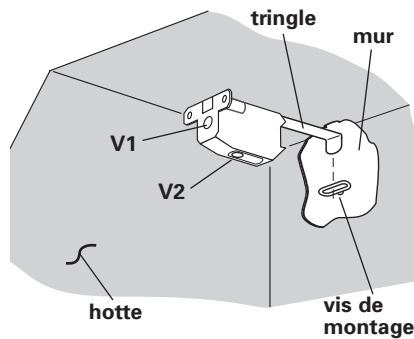
**8.** Ôter le couvercle de la boîte de connexion de la hotte. À l'aide d'un tournevis à lame plate, arracher l'opercule de l'orifice de passage du câble d'alimentation. Installer un connecteur de conduit dans cette ouverture; la vis de bridage du connecteur de conduit doit être à l'intérieur de la hotte.

## ⚠ AVERTISSEMENT

**Danger - poids excessif**  
**Deux personnes ou plus doivent intervenir pour déplacer et installer la hotte.**  
**Le non-respect de cette instruction peut causer une blessure au dos ou d'autres blessures.**

**9.** Si aucun volet de réglage n'est associé à la bouche de décharge (murale ou sur le toit), installer le volet de réglage dans l'ouverture de décharge au sommet de la hotte, avec deux vis Phillips.

**10.** Si on doit raccorder la hotte de 121,9 cm (48 po) à un conduit d'évacuation de 25,4 cm (10 po), installer maintenant le raccord de transition.



La hotte de 76,2 cm (30 po) comporte deux tringles.  
 La hotte de 91,4 cm (36 po) comporte deux tringles.  
 La hotte de 106,7 cm (42 po) comporte quatre tringles.  
 La hotte de 121,9 cm (48 po) comporte quatre tringles.

**11.** La hotte se fixe au mur au moyen des vis mentionnées à l'étape 5 des instructions d'installation. La hotte est suspendue à ces vis par des tringles à l'intérieur de la hotte de la cuisinière. Avant d'essayer de suspendre la hotte, utiliser un tournevis Phillips pour tourner la vis d'ajustement marquée V1 dans le sens antihoraire pour déployer les tringles de la hotte.

Suspendre la hotte de la cuisinière en insérant les tringles dans les vis de montage tel qu'illustré. Remarque : Ces vis doivent être installées dans du bois massif pour supporter le poids de la hotte tel que décrit à l'étape 5. Visser les vis marquées V1 pour serrer la hotte contre le mur.

**S'assurer que la hotte est fixée solidement au mur.**

**12.** On utilise également les brides pour régler l'aplomb de la hotte. Pour le réglage de l'aplomb, faire tourner les vis V2 (vis Phillips).

**13.** Raccorder le conduit d'évacuation à la hotte. Assurer l'étanchéité des jointures avec du ruban adhésif pour conduit.

**14.** Si la garniture cache-conduit (option) est utilisée, ajuster les lèvres de la garniture sur la bride. Si l'extension de cheminée est utilisée, ajuster l'extension sur les brides. Assurer l'étanchéité entre extension et hotte avec du ruban adhésif pour conduit.

## Raccordement au réseau électrique

### ⚠ AVERTISSEMENT



**Risque de choc électrique**

**Interrompre l'alimentation électrique avant d'effectuer des raccordements.**

**Connecter le conducteur de liaison à la terre avec la vis verte dans la boîte de connexion.**

**Le non-respect de ces instructions peut provoquer un choc électrique ou un accident mortel.**

**15.** Exécution des raccordements électriques

- Introduire le câble d'alimentation dans la boîte de connexion à travers le connecteur de conduit (homologation UL ou CSA).
- Raccorder ensemble avec un connecteur de fils le conducteur blanc du câble d'alimentation et le conducteur blanc de la hotte; raccorder ensemble avec un connecteur de fils le conducteur noir du câble d'alimentation et le conducteur noir de la hotte.
- Connecter sous la vis verte le conducteur vert du câble d'alimentation, utilisé pour la liaison à la terre.
- Serrer les vis de bridage du connecteur de conduit.
- Réinstaller le couvercle de la boîte de connexion.

## 16. Installer les filtres.

- Sortir les filtres de la boîte et enlever la pellicule de protection blanche des filtres.

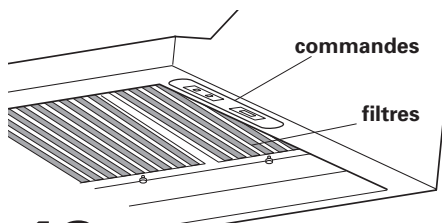
Note : Lors de l'installation du filtre, tirer/faire tourner le bouton avec une main, et tenir le filtre en place avec l'autre main pour qu'il ne tombe pas sur la table de cuisson.

- Saisir l'un des filtres de telle sorte que le bouton soit orienté vers le bas et vers l'arrière de la hotte.
- Insérer l'extrémité du filtre ne comportant pas le bouton dans la rainure de retenue à l'avant de la hotte.
- Tirer sur le bouton et le tourner vers la gauche (sens antihoraire) de telle sorte que le levier de verrouillage ne fasse pas saillie hors du filtre.
- Insérer l'extrémité comportant le bouton dans la rainure de retenue à l'arrière de la hotte.
- Tourner le bouton vers la droite (sens horaire) pour verrouiller le filtre en place.
- Répéter la procédure pour les autres filtres.

## Contrôle du fonctionnement

### 17. Mettre la hotte sous tension.

### 18. Les commandes de la hotte sont placées sous la hotte, à droite.



### 19. Contrôler le bon fonctionnement de la hotte.

- ☑ Placer l'interrupteur d'éclairage à la position « 1 »; la lampe doit s'allumer.
- ☑ Placer le commutateur du ventilateur à la position « 1 »; le ventilateur doit se mettre en marche.
- ☑ Placer le bouton de sélecteur de vitesse à la position « 1 » (basse

vitesse), puis à la position « 2 » (vitesse moyenne), puis à la position « 3 » (haute vitesse).

- ☑ Placer les commutateurs d'éclairage et du ventilateur à la position « 0 » pour commander l'arrêt du ventilateur et l'extinction de la lampe.

Si les composants de la hotte ne fonctionnent pas correctement,

- ☑ Déterminer si le circuit d'alimentation de la hotte est alimenté (disjoncteur ouvert ou fusible grillé?).
- ☑ Déconnecter la hotte du circuit d'alimentation. Vérifier que le câblage a été correctement réalisé.

**Pour obtenir la plus grande efficacité de cette nouvelle hotte, lire la section « Utilisation et d'entretien ». Conserver en lieu sûr les instructions d'installation et le Guide d'utilisation et entretien KitchenAid, pour pouvoir facilement les consulter.**

## Utilisation et entretien

**AVERTISSEMENT** - Pour réduire le risque d'incendie ou de choc électrique, ne pas utiliser ce ventilateur en conjonction avec un dispositif de réglage de la vitesse à semi-conducteurs.

**AVERTISSEMENT - POUR MINIMISER LE RISQUE D'INCENDIE, CHOC ÉLECTRIQUE OU DOMMAGES CORPORELS, RESPECTER LES INSTRUCTIONS SUIVANTES :**

Utiliser cet appareil uniquement de la manière prévue par le fabricant. Pour toute question, contacter le fabricant. Avant d'entreprendre des opérations de réparation ou nettoyage de l'appareil, interrompre l'alimentation électrique au niveau du tableau de distribution et verrouiller le disjoncteur pour empêcher un rétablissement accidentel de l'alimentation. S'il n'est pas possible de verrouiller le disjoncteur ou autre coupe-circuit, veiller à bien fixer sur le tableau de distribution une étiquette proéminente interdisant le rétablissement de l'alimentation. **MISE EN GARDE :** Cet appareil est conçu uniquement pour la ventilation générale. Ne pas l'utiliser pour l'extraction de matières ou vapeurs dangereuses ou explosives.

**AVERTISSEMENT - POUR MINIMISER LE RISQUE D'UN FEU DE GRAISSE SUR LA TABLE DE CUISSON :**

Ne jamais laisser un élément de la table de cuisson fonctionner sans surveillance à la puissance de chauffage maximale; un renversement/débordement de matière grasseuse pourrait provoquer une inflammation et la génération de fumée.

Utiliser toujours une puissance de chauffage moyenne ou basse pour le chauffage d'huile.

Veiller à toujours faire fonctionner le ventilateur de la hotte lors d'une cuisson avec une puissance de chauffage élevée ou lors de la cuisson d'un mets à flamber.

Nettoyer fréquemment les ventilateurs d'extraction. Veiller à ne pas laisser de la graisse s'accumuler sur les surfaces du ventilateur ou des filtres.

Utiliser toujours un ustensile de taille appropriée. Utiliser toujours un ustensile de taille adapté à la taille de l'élément chauffant.

**AVERTISSEMENT - POUR RÉDUIRE LE RISQUE DE DOMMAGES CORPORELS APRÈS LE DÉCLENCHEMENT D'UN FEU DE GRAISSE SUR LA CUISINIÈRE, APPLIQUER LES**

**RECOMMANDATIONS SUIVANTES :**

Placer sur le récipient un couvercle bien ajusté, une tôle à biscuits ou un plateau métallique **POUR ÉTOUFFER LES FLAMMES**, puis éteindre le brûleur. **VEILLER À ÉVITER LES BRÛLURES.** Si les flammes ne s'éteignent pas immédiatement, **ÉVACUER LA PIÈCE ET CONTACTER LES POMPIERS.**

**NE JAMAIS PRENDRE EN MAIN UN RÉCIPIENT ENFLAMMÉ** - le risque de brûlure est élevé.

**NE PAS UTILISER D'EAU** ni un torchon humide - ceci pourrait provoquer une explosion de vapeur brûlante. Utiliser un extincteur **SEULEMENT** si :

Il s'agit d'un extincteur de classe ABC, dont on connaît le fonctionnement.

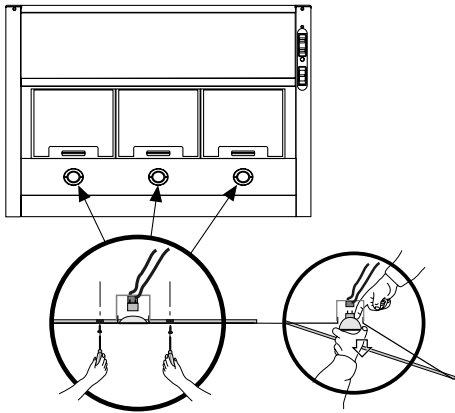
Il s'agit d'un petit feu encore limité à l'endroit où il s'est déclaré.

Les pompiers ont été contactés.

Il est possible de garder le dos orienté vers une sortie pendant l'opération de lutte contre le feu.

## Remplacement d'une lampe à halogène

Illustration avec hottes de 91,4 cm (36 po) et de 106,7 cm (42 po)



Avant de commencer, placer tous les commutateurs de la hotte à la position d'arrêt et vérifier que les lampes se sont suffisamment refroidies. La température de service d'une lampe à halogène est très élevée.

Pour remplacer une lampe à halogène :

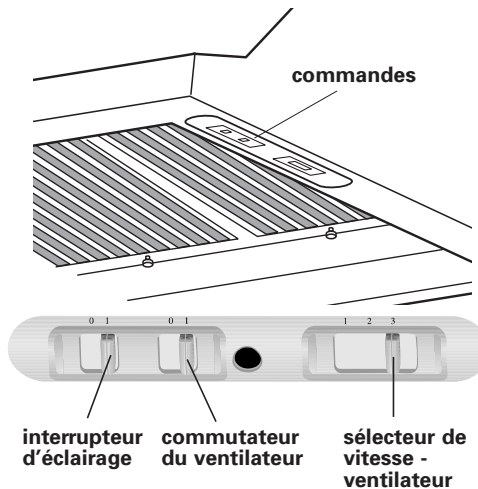
- Ôter les deux vis de la garniture métallique circulaire placée autour de la lampe.
- Tirer sur l'ensemble garniture/module de lampe, suffisamment pour qu'il soit possible de dégager la lampe de la douille.
- Insérer une lampe neuve dans la douille et remettre l'ensemble module de lampe/garniture en place dans la hotte.
- Refixer la garniture.

## Utilisation de la hotte

La fonction de la hotte est d'aspirer les fumées, vapeurs de cuisson et odeurs au-dessus de la table de cuisson. Pour obtenir les meilleurs résultats, mettre le ventilateur de la hotte en marche avant le début de la cuisson, et laisser le ventilateur fonctionner pendant plusieurs minutes après l'achèvement de la cuisson, pour l'extraction de toute fumée et odeur de la cuisine.

### Accès aux organes de commande de la hotte

Les organes de commande de la hotte sont placés sur la face inférieure de la hotte, à droite.



### Utilisation de la lampe :

**MISE EN MARCHÉ :** Placer l'interrupteur d'éclairage à la position « 1 ».

**EXTINCTION :** Placer l'interrupteur à la position « 0 ».

### Utilisation du ventilateur :

**MISE EN MARCHÉ :** Placer le commutateur du ventilateur à la position « 1 ».

**ARRÊT :** Placer le commutateur à la position « 0 ».

### Réglage de la vitesse du ventilateur :

Le ventilateur est commandé par un sélecteur à trois positions :

- position « 1 » : basse vitesse
- position « 2 » : moyenne vitesse
- position « 3 » : haute vitesse.

## Nettoyage

### Filtres :

Il convient de laver fréquemment les filtres. Placer les filtres métalliques dans le lave-vaisselle, ou dans une solution chaude de détergent.

Enlèvement des filtres :

Note : Lors de la dépose des filtres, tirer/faire tourner le bouton avec une main, et tenir le filtre avec l'autre main pour qu'il ne tombe pas sur la table de cuisson.

- Tirer le bouton vers l'avant de la hotte en le tournant vers la gauche (sens antihoraire) pour débloquer le levier de verrouillage.

Réinstallation des filtres, voir l'étape 16.

### Surfaces extérieures :

- Ne pas utiliser un produit de nettoyage abrasif ou un tampon de laine d'acier.
  - Frotter dans la direction du grain, pour ne pas détériorer la surface.
  - Sécher par essuyage pour qu'il ne reste pas de marques des gouttes d'eau.
  - Le produit recommandé pour le nettoyage des surfaces d'acier inoxydable de la hotte est le produit KitchenAid® Professional Formula Steel Cleaner & Polish. Pour commander ce produit, contacter notre centre de service-client au 1-800-442-9991 ou commander à partir de notre site Internet à l'adresse [www.applianceaccessories.com](http://www.applianceaccessories.com) – le numéro de produit est 8171420. Pour commander au Canada, composer le 1-800-807-6777.
  - Si on utilise des nettoyeurs commerciaux, suivre les instructions sur l'étiquette. Ne pas utiliser de produits chlorés (eau de Javel). Le chlore est une substance corrosive.
- Pour le nettoyage de routine et l'élimination des marques de doigt, utiliser un mélange d'eau et de détergent liquide ou un produit de nettoyage polyvalent. Frotter avec une éponge ou un linge doux, puis rincer avec de l'eau propre et sécher par essuyage.

# Ensembles d'installation – disponibles chez le revendeur local

**Accessoires utilisables pour l'installation – option** - disponibles chez le revendeur local

Note : Ces ensembles sont disponibles seulement en acier inoxydable.

**Dosseret\*** : Le dosseret doit être installé avant l'installation de la hotte.

- Hotte de 76,2 cm (30 po) : ensemble n° 8285148
- Hotte de 91,4 cm (36 po) : ensemble n° 8284756
- Hotte de 106,7 cm (42 po) : ensemble n° 8284827
- Hotte de 121,9 cm (48 po) : ensemble n° 8284755

**Garniture cache-conduit** : hauteur 30,5 cm (12 po), profondeur 30,5 cm (12 po)

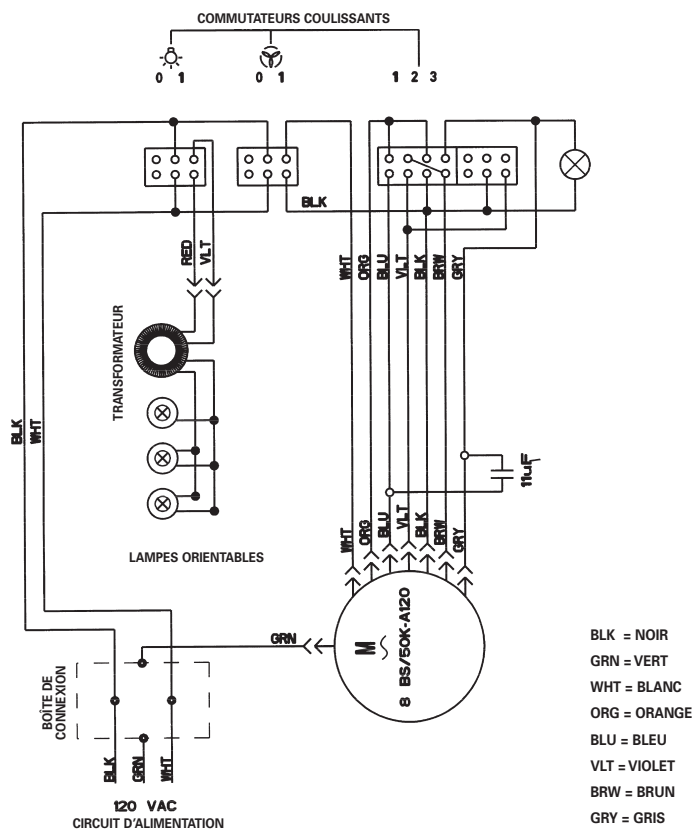
- Hotte de 76,2 cm (30 po) : ensemble n° 8285149
- Hotte de 91,4 cm (36 po) : ensemble n° 8284753
- Hotte de 106,7 cm (42 po) : ensemble n° 8284828
- Hotte de 121,9 cm (48 po) : ensemble n° 8284752

**Extension de cheminée** : Pour l'extension de la hauteur de 30,5 cm (12 po) à 58,4 cm (23 po). Utilisation avec une hotte de 76,2 cm (30 po), 91,4 cm (36 po), 106,7 cm (42 po) et 121,9 cm (48 po) : ensemble n° 8284754

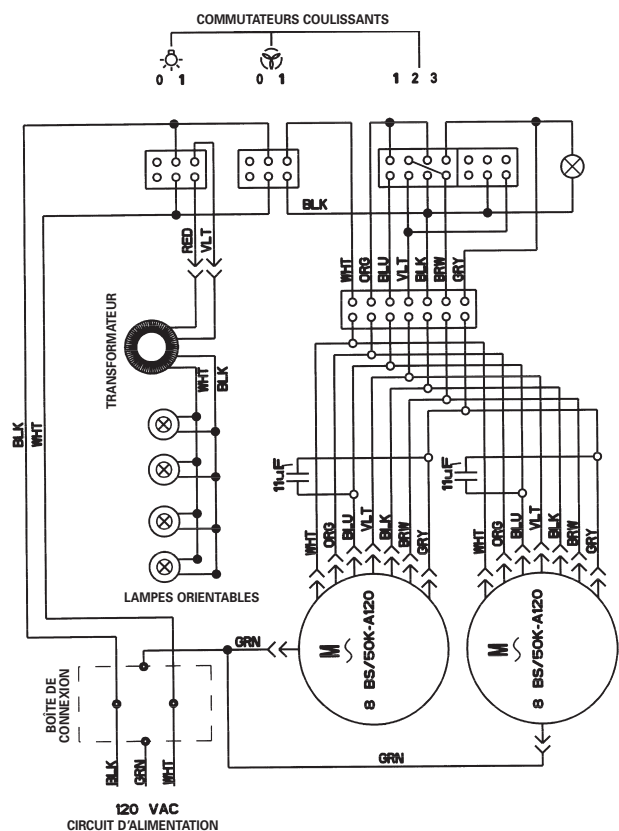
**Raccord de transition** : de deux conduits de 8,3 x 25,4 cm (3-1/4 po x 10 po) à un conduit rond de 25,4 cm (10 po). Ne pas utiliser l'ensemble d'extension pour cheminée no 8284754.

- Hotte de 76,2 cm (30 po) : pas disponible
- Hotte de 91,4 cm (36 po) : pas disponible
- Hotte de 106,7 cm (42 po) : pas disponible
- Hotte de 121,9 cm (48 po) : ensemble n° 8284757

## Schémas de câblage



Pour hottes de 76,2 cm (30 po), 91,4 cm (36 po) et 106,7 cm (42 po)



Pour hottes de 121,9 cm (48 po)

# Garantie

## Hotte d'aspiration KitchenAid®

DURÉE DE LA PÉRIODE DE GARANTIE	KitchenAid PAIERA
GARANTIE LIMITÉE D'UNE ANNÉE À compter de la date d'achat	Pièces et main-d'œuvre (sauf lampes et filtres) pour l'élimination d'un vice de matériau ou de fabrication.
KitchenAid NE PAIERA PAS	
A. Pièces consommables comme lampes et filtres.	
B. Intervention d'un technicien pour : 1. Rectifier l'installation de la hotte. 2. Formation de l'utilisateur. 3. Remplacement des fusibles ou rectification du câblage électrique du site d'installation.	
C. Réparations imputables à l'utilisation de la hotte autrement qu'en service familial normal.	
D. Transport du produit. Ce produit est conçu pour être réparé sur place.	
E. Détérioration de la hotte imputable à accident, mésusage, incendie, inondation, catastrophe naturelle ou utilisation d'un produit non approuvé par KitchenAid.	

**KITCHENAID ET KITCHENAID CANADA NE SONT PAS RESPONSABLES POUR LES DOMMAGES FORTUITS OU INDIRECTS.** Certains États ou certaines provinces ne permettent pas l'exclusion ou la limitation des dommages fortuits ou indirects de sorte que cette exclusion ou limitation peut ne pas s'appliquer dans votre cas.

**Cette garantie vous confère des droits juridiques spécifiques et vous pouvez également avoir d'autres droits, variables d'un État à l'autre ou d'une province à l'autre.**

**À l'extérieur du Canada et des États-Unis, une garantie différente peut s'appliquer. Pour des détails, communiquer avec votre marchand KitchenAid autorisé.**

Si vous avez besoin de service, voir d'abord la section «Contrôle du fonctionnement» dans ce livret. Après avoir vérifié le «Contrôle du fonctionnement», une aide additionnelle peut être trouvée en vérifiant la section «Demande d'aide ou de service» ou en téléphonant à notre Centre d'interaction avec la clientèle au numéro de téléphone, **1-800-235-0665** (sans frais), de partout aux É.-U. ou au Canada.

# Demande d'assistance ou de service

Avant de faire un appel pour assistance ou service, veuillez vérifier la section "Contrôle du fonctionnement". Cette vérification pourrait vous faire économiser le coût

d'une visite de service. Si vous avez encore besoin d'aide, suivre les instructions ci-dessous.

## Si vous avez besoin d'assistance ou de service au Canada

### 1. Si le problème n'est pas attribuable à l'une des causes indiquées dans "Guide de dépannage"†...



Communiquer avec le marchand chez qui vous avez acheté votre appareil électroménager, ou téléphoner à KitchenAid Canada au Centre d'interaction avec la clientèle, sans frais d'interurbain, entre 8 h 30 et 18 h 00 (HNE), en composant 1-800-235-0665.

### 2. Si vous avez besoin de service†...

Communiquer avec la succursale ou établissement de service autorisé de KitchenAid Canada le plus proche pour l'entretien de votre appareil. (Voir liste ci-dessous.) S'assurer que la compagnie de service que vous contactez est autorisée à faire l'entretien de votre appareil durant la période de garantie.

†Lorsque vous demandez de l'assistance ou un service, veuillez fournir une description détaillée du problème, les numéros complets du modèle et de série de l'appareil, et la date d'achat. Ces renseignements nous aideront à mieux répondre à votre demande.

### Service d'appareils ménagers KitchenAid Canada – Service aux consommateurs

Succursales de service direct :

COLOMBIE-BRITANNIQUE		1-800-665-6788
ALBERTA		1-800-661-6291
ONTARIO (à l'exception de l'indicatif régional 807)	Région d'Ottawa En dehors de la région d'Ottawa	1-800-267-3456 1-800-807-6777
MANITOBA, SASKATCHEWAN et indicatif régional 807 en ONTARIO		1-800-665-1683
QUÉBEC	Montréal (à l'exception de la Rive-Sud) Rive-Sud Montréal Québec Sherbrooke	1-800-361-3032 1-800-361-0950 1-800-463-1523 1-800-567-6966
PROVINCES DE L'ATLANTIQUE		1-800-565-1598

## Pour plus d'assistance

Si vous avez besoin de plus d'assistance, vous pouvez écrire en soumettant toute question ou problème au :

Service des relations avec la clientèle  
KitchenAid Canada  
1901 Minnesota Court  
Mississauga, Ontario L5N 3A7

Veuillez indiquer dans votre correspondance un numéro de téléphone où l'on peut vous joindre le jour.



## Free Manuals Download Website

<http://myh66.com>

<http://usermanuals.us>

<http://www.somanuals.com>

<http://www.4manuals.cc>

<http://www.manual-lib.com>

<http://www.404manual.com>

<http://www.luxmanual.com>

<http://aubethermostatmanual.com>

Golf course search by state

<http://golfingnear.com>

Email search by domain

<http://emailbydomain.com>

Auto manuals search

<http://auto.somanuals.com>

TV manuals search

<http://tv.somanuals.com>