



---

# 30" (76.2 CM) AND 36" (91.4 CM) WALL-MOUNT CANOPY HOOD

## Installation Instructions and Use & Care Guide

For questions about features, operation/performance, parts, accessories or service, call: **1-800-422-1230**  
or visit our website at **www.kitchenaid.com**

In Canada, for assistance, installation and service, call: **1-800-807-6777**  
or visit our website at **www.kitchenaid.ca**

---

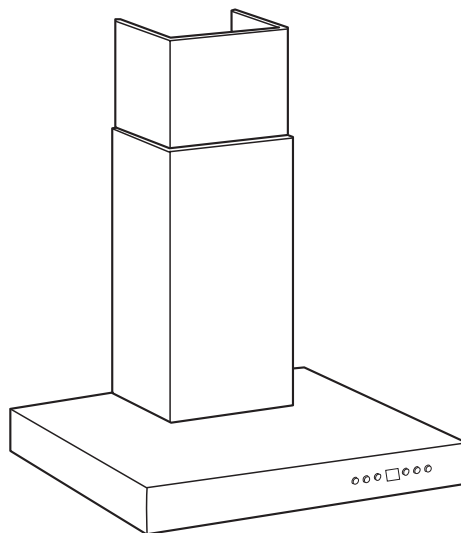
# HOTTE DE CUISINIÈRE POUR MONTAGE MURAL 30" (76,2 CM) ET 36" (91,4 CM)

## Instructions d'installation et Guide d'utilisation et d'entretien

Au Canada, pour assistance, installation ou service composez le **1-800-807-6777**  
ou visitez notre site web à **www.kitchenaid.ca**

---

Table of Contents/Table des matières..... 2



**IMPORTANT: READ AND SAVE THESE INSTRUCTIONS.  
FOR RESIDENTIAL USE ONLY.**  
**IMPORTANT : LIRE ET CONSERVER CES INSTRUCTIONS.  
POUR UTILISATION RÉSIDENIELLE UNIQUEMENT.**

W10268948C

---

## TABLE OF CONTENTS

<b>RANGE HOOD SAFETY</b> .....	<b>3</b>
<b>INSTALLATION REQUIREMENTS</b> .....	<b>5</b>
Tools and Parts .....	5
Location Requirements .....	5
Venting Requirements .....	6
Electrical Requirements .....	7
<b>INSTALLATION INSTRUCTIONS</b> .....	<b>8</b>
Prepare Location .....	8
Install Range Hood .....	9
Make Electrical Connection .....	9
Install Chimney Covers .....	10
Complete Installation .....	11
<b>RANGE HOOD USE</b> .....	<b>11</b>
<b>RANGE HOOD CARE</b> .....	<b>12</b>
Cleaning.....	12
<b>WIRING DIAGRAM</b> .....	<b>13</b>
<b>ASSISTANCE OR SERVICE</b> .....	<b>14</b>
In the U.S.A. ....	14
In Canada .....	14
Accessories .....	14
<b>WARRANTY</b> .....	<b>15</b>

---

## TABLE DES MATIÈRES

<b>SÉCURITÉ DE LA HOTTE DE CUISINIÈRE</b> .....	<b>17</b>
<b>EXIGENCES D'INSTALLATION</b> .....	<b>19</b>
Outillage et pièces .....	19
Exigences d'emplacement .....	19
Exigences concernant l'évacuation .....	21
Spécifications électriques .....	22
<b>INSTRUCTIONS D'INSTALLATION</b> .....	<b>23</b>
Préparation de l'emplacement .....	23
Installation de la hotte .....	24
Raccordement électrique .....	25
Installation du cache-cheminée .....	26
Achever l'installation .....	26
<b>UTILISATION DE LA HOTTE</b> .....	<b>27</b>
<b>ENTRETIEN DE LA HOTTE</b> .....	<b>27</b>
Nettoyage .....	27
<b>SCHÉMA DE CÂBLAGE</b> .....	<b>29</b>
<b>ASSISTANCE OU SERVICE</b> .....	<b>30</b>
Accessoires .....	30
<b>GARANTIE</b> .....	<b>31</b>

# RANGE HOOD SAFETY

## Your safety and the safety of others are very important.

We have provided many important safety messages in this manual and on your appliance. Always read and obey all safety messages.



This is the safety alert symbol.

This symbol alerts you to potential hazards that can kill or hurt you and others.

All safety messages will follow the safety alert symbol and either the word "DANGER" or "WARNING."

These words mean:

**⚠ DANGER**

You can be killed or seriously injured if you don't immediately follow instructions.

**⚠ WARNING**

You can be killed or seriously injured if you don't follow instructions.

All safety messages will tell you what the potential hazard is, tell you how to reduce the chance of injury, and tell you what can happen if the instructions are not followed.

# IMPORTANT SAFETY INSTRUCTIONS

**WARNING:** TO REDUCE THE RISK OF FIRE, ELECTRIC SHOCK, OR INJURY TO PERSONS, OBSERVE THE FOLLOWING:

- Use this unit only in the manner intended by the manufacturer. If you have questions, contact the manufacturer.
- Before servicing or cleaning the unit, switch power off at service panel and lock the service disconnecting means to prevent power from being switched on accidentally. When the service disconnecting means cannot be locked, securely fasten a prominent warning device, such as a tag, to the service panel.
- Installation work and electrical wiring must be done by qualified person(s) in accordance with all applicable codes and standards, including fire-rated construction.
- Sufficient air is needed for proper combustion and exhausting of gases through the flue (chimney) of fuel burning equipment to prevent backdrafting. Follow the heating equipment manufacturer's guideline and safety standards such as those published by the National Fire Protection Association (NFPA), the American Society for Heating, Refrigeration and Air Conditioning Engineers (ASHRAE), and the local code authorities.
- When cutting or drilling into wall or ceiling; do not damage electrical wiring and other utilities.
- Ducted fans must always be vented outdoors.

**CAUTION:** For general ventilating use only. Do not use to exhaust hazardous or explosive materials and vapors.

**CAUTION:** To reduce risk of fire and to properly exhaust air, be sure to duct air outside - do not vent exhaust air into spaces within walls or ceilings, attics or into crawl spaces, or garages.

**WARNING:** TO REDUCE THE RISK OF FIRE, USE ONLY METAL DUCTWORK.

**WARNING:** TO REDUCE THE RISK OF A RANGE TOP GREASE FIRE:

- Never leave surface units unattended at high settings. Boilovers cause smoking and greasy spillovers that may ignite. Heat oils slowly on low or medium settings.
- Always turn hood ON when cooking at high heat or when flambeing food (i.e. Crepes Suzette, Cherries Jubilee, Peppercorn Beef Flambé).
- Clean ventilating fans frequently. Grease should not be allowed to accumulate on fan or filter.
- Use proper pan size. Always use cookware appropriate for the size of the surface element.

**WARNING:** TO REDUCE THE RISK OF INJURY TO PERSONS IN THE EVENT OF A RANGE TOP GREASE FIRE, OBSERVE THE FOLLOWING:<sup>a</sup>

- **SMOTHER FLAMES** with a close fitting lid, cookie sheet, or metal tray, then turn off the burner. **BE CAREFUL TO PREVENT BURNS.** If the flames do not go out immediately, **EVACUATE AND CALL THE FIRE DEPARTMENT.**
- **NEVER PICK UP A FLAMING PAN** - you may be burned.
- **DO NOT USE WATER**, including wet dishcloths or towels - a violent steam explosion will result.
- Use an extinguisher **ONLY** if:
  - You know you have a class ABC extinguisher, and you already know how to operate it.
  - The fire is small and contained in the area where it started.
  - The fire department is being called.
  - You can fight the fire with your back to an exit.

<sup>a</sup>Based on "Kitchen Fire Safety Tips" published by NFPA.

- **WARNING:** To reduce the risk of fire or electrical shock, do not use this fan with any solid-state speed control device.

## READ AND SAVE THESE INSTRUCTIONS

# INSTALLATION REQUIREMENTS

## Tools and Parts

Gather the required tools and parts before starting installation. Read and follow the instructions provided with any tools listed here.

### Tools needed

- Level
- Drill
- 1¼" (3 cm) drill bit
- ⅜" (2.4 mm) drill bit
- ⅛" (3 mm) drill bit
- Pencil
- Wire stripper or utility knife
- Tape measure or ruler
- Pliers
- Caulking gun and weatherproof caulking compound
- Vent clamps
- Jigsaw or keyhole saw
- Flat-blade screwdriver
- Metal snips
- Phillips screwdriver
- Scissors

### Parts needed

- Home power supply cable
- 1 - ½" (12.7 mm) UL listed or CSA approved strain relief
- 2 UL listed wire connectors

### For vented installations, you will also need:

- 1 wall or roof cap
- Metal vent system

### For non-vented (recirculating) installations, you will also need:

- Recirculation Kit Part Number W10271501 for non-vented (recirculating) installations only. See "Assistance or Service" section to order.

### Parts supplied

Remove parts from packages. Check that all parts are included.

- 2 metal grease filters for 30" (76.2 cm) models
- 3 metal grease filters for 36" (91.4 cm) models
- 6 - flat head screws
- 2 - chimney mounting brackets
- 6 - #10 Phillips head mounting screws
- Upper chimney cover
- Lower chimney cover
- Damper

## Location Requirements

**IMPORTANT:** Observe all governing codes and ordinances.

Have a qualified technician install the range hood. It is the installer's responsibility to comply with installation clearances specified on the model/serial rating plate. The model/serial rating plate is located inside the range hood on the rear wall of the range hood.

Canopy range hood location should be away from strong draft areas, such as windows, doors and strong heating vents.

Cabinet opening dimensions that are shown must be used. Given dimensions provide minimum clearance.

Grounded electrical outlet is required. See "Electrical Requirements" section.

The canopy range hood is factory set for venting through the roof or through the wall. For non-vented (recirculating) installation see "Non-vented (recirculating) Installations" in "Prepare Location" section. Recirculation Kit Part Number W10271501 is available from your dealer or an authorized parts distributor.

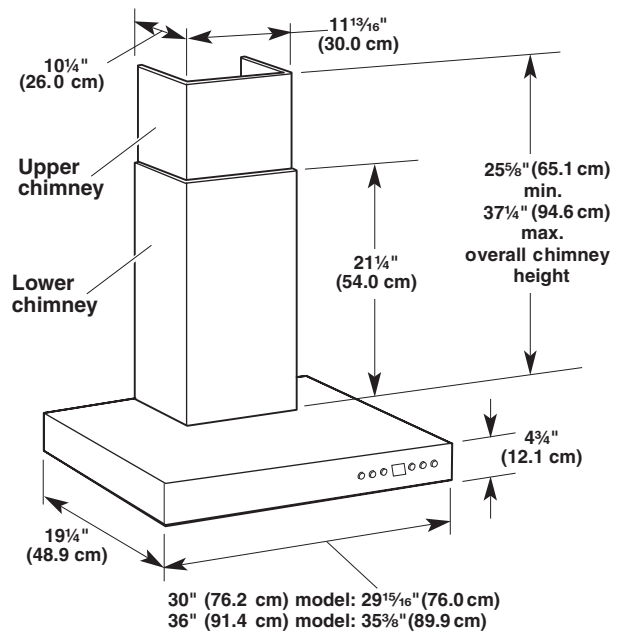
All openings in ceiling and wall where canopy range hood will be installed must be sealed.

### For Mobile Home Installations

The installation of this range hood must conform to the Manufactured Home Construction Safety Standards, Title 24 CFR, Part 328 (formerly the Federal Standard for Mobile Home Construction and Safety, Title 24, HUD, Part 280) or when such standard is not applicable, the standard for Manufactured Home Installation 1982 (Manufactured Home Sites, Communities and Setups) ANSI A225.1/NFPA 501A\*, or latest edition, or with local codes.

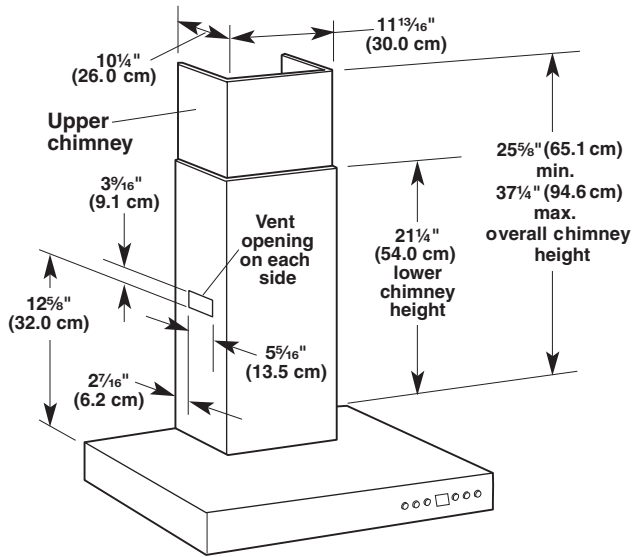
## Product Dimensions

### Vented Installations

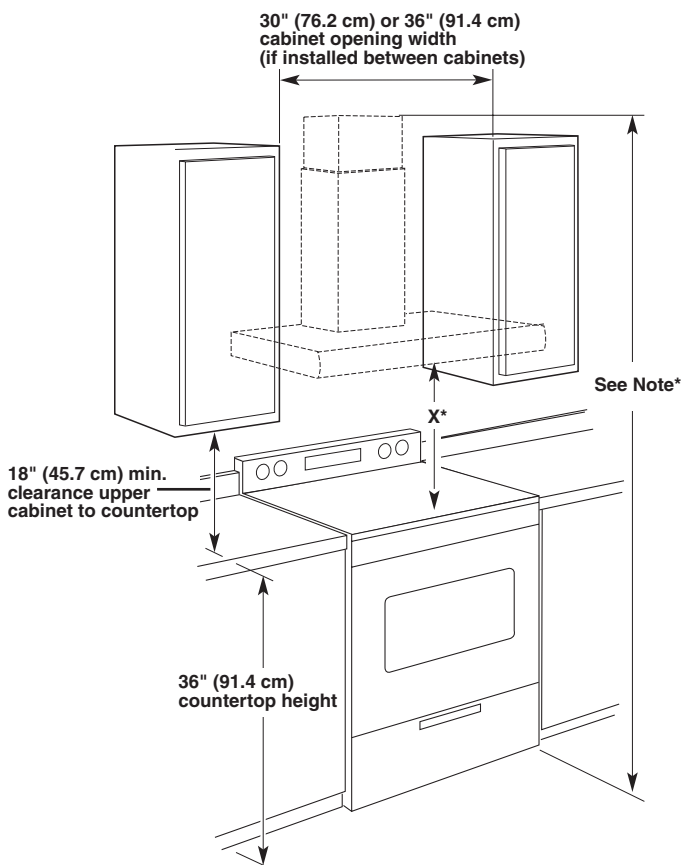


## Non-vented (recirculating) Installations

For non-vented (recirculating) installations, optional Recirculation Kit Part Number W10271501, must be used. This kit includes a new lower chimney cover that replaces the lower chimney cover shipped with the range hood, a diverter with extensions, 2 grids for inserting into the lower chimney, and a charcoal filter.



## Installation Dimensions



**\*NOTE:** The range hood chimneys are adjustable and designed to meet varying ceiling or soffit heights depending on the distance "X" between the bottom of the range hood and the cooking surface. For higher ceilings, a Stainless Steel Chimney Extension Kit Part Number W10271503 is available from your dealer or an authorized parts distributor. The chimney extension replaces the upper chimney shipped with the range hood.

## IMPORTANT:

Minimum distance "X": 30" (76.2 cm)  
Suggested maximum distance "X": 36" (91.4 cm)

Chimneys can be adjusted for ceilings between 8' 3/8" (2.55 m) and 9' 6" (2.90 m) in both vented and non-vented (recirculating) applications.

If you have shorter ceilings, the upper chimney can be shortened by removing up to 5 1/4" (13.3 cm) off the bottom for vented applications and 11 1/4" (28.6 cm) for non-vented (recirculating) applications. This will give you a minimum ceiling height of 7' 8" (2.34 m).

**NOTE:** If the upper chimney is cut for your application, the lower chimney bracket will not be used.

## Venting Requirements (Vented Models Only)

- Vent system must terminate to the outdoors, except for non-vented (recirculating) installations.
- Do not terminate the vent system in an attic or other enclosed area.
- Do not use 4" (10.2 cm) laundry-type wall caps.
- Use metal vent only. Rigid metal vent is recommended. Plastic or metal foil vent is not recommended.
- The length of vent system and number of elbows should be kept to a minimum to provide efficient performance.

### For the most efficient and quiet operation:

- Use no more than three 90° elbows.
- Make sure there is a minimum of 24" (61.0 cm) of straight vent between the elbows if more than 1 elbow is used.
- Do not install 2 elbows together.
- Use clamps to seal all joints in the vent system.
- The vent system must have a damper. If the roof or wall cap has a damper, do not use the damper supplied with the range hood.
- Use caulking to seal exterior wall or roof opening around the cap.
- The size of the vent should be uniform.

## Cold weather installations

An additional back draft damper should be installed to minimize backward cold air flow and a thermal break should be installed to minimize conduction of outside temperatures as part of the vent system. The damper should be on the cold air side of the thermal break.

The break should be as close as possible to where the vent system enters the heated portion of the house.

## Makeup air

Local building codes may require the use of make up air systems when using ventilation systems greater than specified CFM of air movement. The specified CFM varies from locale to locale. Consult your HVAC professional for specific requirements in your area.

## Venting Methods

This canopy range hood is factory set for venting through the roof or through the wall.

A 6" (15.2 cm) round vent system is needed for installation (not included). The hood exhaust opening is 6" (15.2 cm) round.

**NOTE:** Flexible vent is not recommended. Flexible vent creates back pressure and air turbulence that greatly reduce performance.

Vent system can terminate either through the roof or wall. To vent through a wall, a 90° elbow is needed.

**Rear discharge**

A 90° elbow may be installed immediately above the hood.

**For non-vented (recirculating) installations**

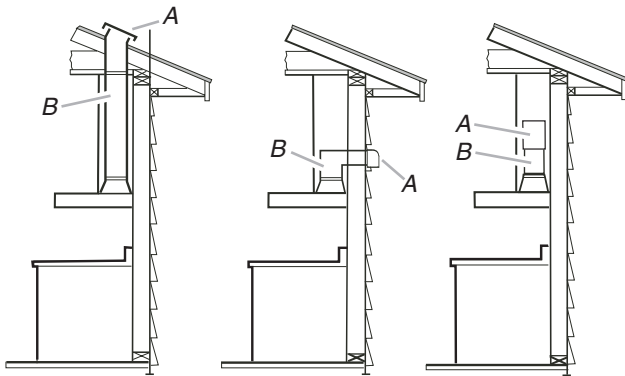
If it is not possible to vent cooking fumes and vapors to the outside, the hood can be used in the non-vented (recirculating) version, fitting an activated carbon filter and the diverter. Fumes and vapors are recycled through the top grille.

**NOTE:** Non-vented (recirculating) installation is not allowed over cooktops with BTU ratings of 60,000 or higher.

**Roof Venting**

**Wall Venting**

**Non-vented (recirculating)**





A. Roof cap  
B. 6" (15.2 cm) round vent

A. Wall cap  
B. 6" (15.2 cm) round vent

A. Diverter  
B. 6" (15.2 cm) round vent extension

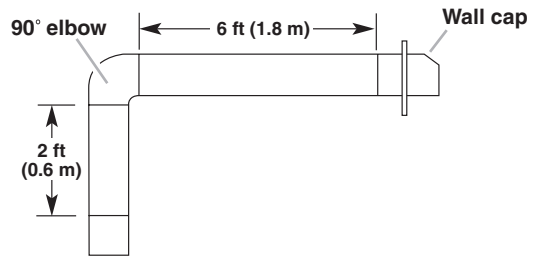
**Calculating Vent System Length**

To calculate the length of the system you need, add the equivalent feet (meters) for each vent piece used in the system.

Vent Piece	6" (15.2 cm) Round	
45° elbow	2.5 ft (0.8 m)	
90° elbow	5.0 ft (1.5 m)	

Maximum equivalent vent length is 35 ft (10.7 m).

**Example vent system**



The following example falls within the maximum recommended vent length of 35 ft (10.7 m).

1 - 90° elbow	= 5.0 ft (1.5 m)
1 - wall cap	= 0.0 ft (0.0 m)
8 ft (2.4 m) straight	= 8.0 ft (2.4 m)
<b>Length of system</b>	<b>= 13.0 ft (3.9 m)</b>

**Electrical Requirements**

Observe all governing codes and ordinances.

Ensure that the electrical installation is adequate and in conformance with National Electrical Code, ANSI/NFPA 70 (latest edition), or CSA Standards C22.1-94, Canadian Electrical Code, Part 1 and C22.2 No. 0-M91 (latest edition) and all local codes and ordinances.

If codes permit and a separate ground wire is used, it is recommended that a qualified electrician determine that the ground path is adequate.

A copy of the above code standards can be obtained from:

National Fire Protection Association  
One Batterymarch Park  
Quincy, MA 02269  
CSA International  
8501 East Pleasant Valley Road  
Cleveland, OH 44131-5575

- A 120 Volt, 60 Hz., AC only, 15-amp, fused electrical circuit is required.
- If the house has aluminum wiring follow the procedure below:
  1. Connect a section of solid copper wire to the pigtail leads.
  2. Connect the aluminum wiring to the added section of copper wire using special connectors and/or tools designed and UL listed for joining copper to aluminum.

Follow the electrical connector manufacturer's recommended procedure. Aluminum/copper connection must conform with local codes and industry accepted wiring practices.

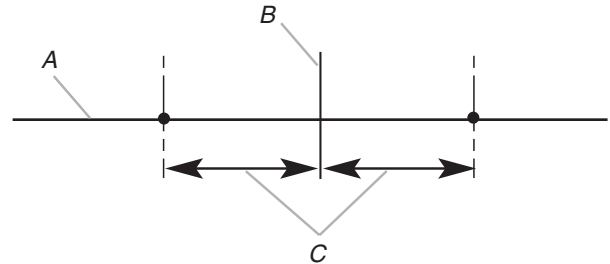
- Wire sizes and connections must conform with the rating of the appliance as specified on the model/serial rating plate. The model/serial plate is located behind the filter on the rear wall of the range hood.
- Wire sizes must conform to the requirements of the National Electrical Code, ANSI/NFPA 70 (latest edition), or CSA Standards C22. 1-94, Canadian Electrical Code, Part 1 and C22.2 No. 0-M91 (latest edition) and all local codes and ordinances.

# INSTALLATION INSTRUCTIONS

## Prepare Location

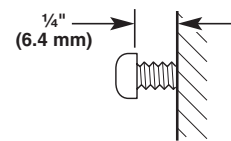
- It is recommended that the vent system be installed before hood is installed.
  - Before making cutouts, make sure there is proper clearance within the ceiling or wall for exhaust vent.
  - Check your ceiling height and the hood height maximum before you select your hood.
1. Disconnect power.
  2. Determine which venting method to use: roof, wall, or non-vented.
  3. Select a flat surface for assembling the range hood. Place covering over that surface.

3. Drill  $\frac{3}{32}$ " (2.4 mm) pilot holes for installation into wood. The screws provided are for mounting the range hood into wood. Mounting into drywall or plaster is not recommended.



A. Horizontal line  
B. Vertical centerline  
C.  $4\frac{9}{16}$ " (11.6 cm)

4. Install 2 - #10 Phillips head mounting screws. Leave a  $\frac{1}{4}$ " (6.4 mm) gap between the wall and the back of the screw head to slide range hood into place.



**⚠ WARNING**

**Excessive Weight Hazard**

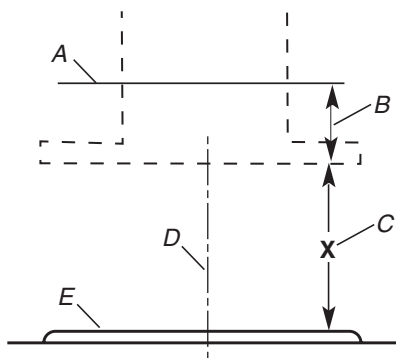
**Use two or more people to move and install range hood.**

**Failure to do so can result in back or other injury.**

4. Using 2 or more people, lift range hood onto covered surface. Tip the hood on its back and remove filters and set aside. See "Range Hood Care" section.

## Range Hood Mounting Screws Installation

1. Determine and mark the centerline on the wall where the range hood will be installed.  
Based on the ceiling or soffit height, determine the distance "X" (30" [76.2 cm] min, suggested 36" [91.4 cm] max) needed between the cooking surface and the bottom of the range hood. To this distance, add  $15\frac{1}{8}$ " (43.8 cm) and draw a horizontal line (A) about 24" (61.0 cm) long centered on the vertical centerline (B) at this distance.

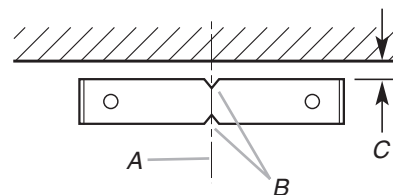


A. Horizontal line  
B.  $15\frac{1}{8}$ " (43.8 cm)  
C. Distance "X" (30" [76.2 cm] min, suggested 36" [91.4 cm] max)  
D. Vertical centerline  
E. Cooking surface

2. Mark 2 points on each side of the horizontal line  $4\frac{9}{16}$ " (11.6 cm) from the vertical centerline.

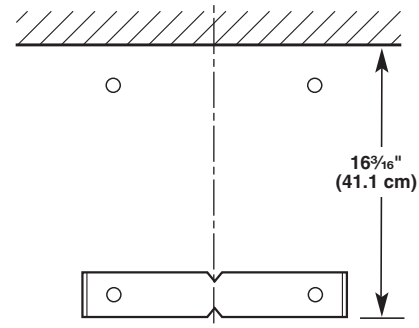
## Chimney Support Bracket Installation

1. Place one of the chimney brackets against the wall so that its top edge is  $\frac{1}{16}$ " (2.0 mm) from the ceiling or soffit and level. Align the center notches of the bracket and the centerline. Mark the centers of the bracket holes.



A. Vertical centerline  
B. Center notches  
C.  $\frac{1}{16}$ " (1.6 mm)

2. Place the other chimney bracket on the wall so that its lower edge is  $16\frac{3}{16}$ " (41.1 cm) from the ceiling or soffit and level. Align the center notches of the bracket and the centerline. Mark the centers of the bracket holes.





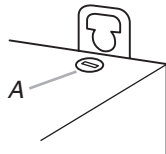
3. Drill  $\frac{3}{32}$ " (2.4 mm) pilot holes for installation into wood. The screws provided are for mounting the range hood into wood. Mounting into drywall or plaster is not recommended.
4. Attach each bracket to the wall with 2 - #10 Phillips head mounting screws. Tighten screws securely.

### Complete Preparation

1. Determine and make all necessary cuts in the wall for the vent system. Install the vent system before installing the range hood. See the "Venting Requirements" section.
2. Determine the location where the power supply cable will be run through the wall.  
**NOTE:** For wiring flexibility, the terminal box is external to the range hood motor. About 24" (61.0 cm) of wire connects the terminal box to the range hood motor.  
Check that the lower chimney cover will hide the selected location.
3. Drill a  $1\frac{1}{4}$ " (3.2 cm) hole at this location.
4. Pull enough power supply cable through the wall to allow for easy connection to the terminal box.

### Install Range Hood

1. Use a flat-blade screwdriver and tighten the 2 leveling screws located close to the range hood mounting brackets.



A. Leveling screw

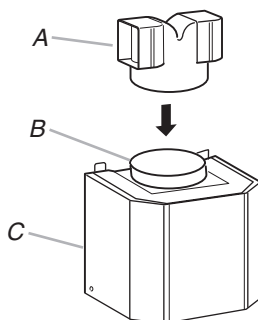
### Vented Installations

Go to Step 5.

### Non-vented (recirculating) Installations

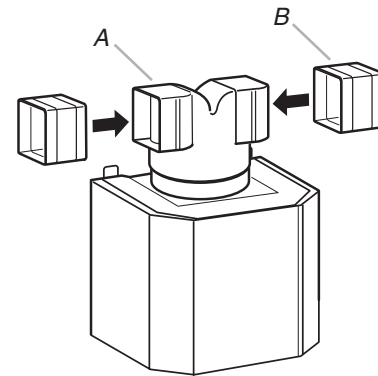
**NOTE:** Non-vented (recirculating) installation is not allowed over cooktops with BTU ratings of 60,000 or higher.

2. Install the non-vented (recirculating) conversion kit ordered for your range hood.
3. Fit the diverter over the vent motor exhaust and push down to seat. Check that the diverter exhaust outlets are parallel with the vent motor sides so that they align with the vent cover openings in the lower chimney.



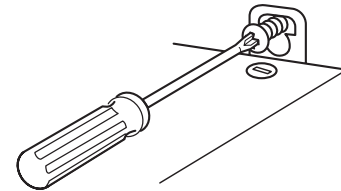
A. Diverter  
B. Vent motor exhaust  
C. Vent motor

4. Install the 2 vent extension pieces onto the diverter pushing them until they stop.



A. Diverter  
B. Exhaust extension

5. Using 2 or more people, lift the range hood and place the mounting hood brackets over the mounting screws. Securely tighten the screws.



6. Level the range hood. Adjust the 2 leveling screws (see Step 1) as needed.

### Make Electrical Connection

## WARNING



### Electrical Shock Hazard

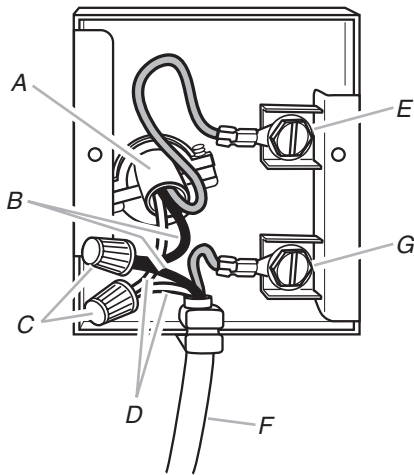
**Disconnect power before servicing.**

**Replace all parts and panels before operating.**

**Failure to do so can result in death or electrical shock.**

1. Disconnect power.
2. Remove terminal box cover.
3. Remove the knockout in the terminal box and install a UL listed or CSA approved  $\frac{1}{2}$ " strain relief.
4. Center the wiring hole in the terminal box over the  $1\frac{1}{4}$ " (3.2 cm) diameter wiring hole in the wall. Mark the 2 terminal box mounting holes. Drill  $\frac{1}{8}$ " (3.0 mm) diameter holes as needed for your installation.
5. Run 3 wires, black, white and green (or bare), from home power supply through strain relief into terminal box.


- Attach terminal box to the wall and securely tighten screws.



- A. Home power supply cable
- B. Black wires
- C. UL listed wire connectors
- D. White wires
- E. Green (or bare) ground wire from home power supply connected to green ground screw
- F. Range hood power supply cable
- G. Range hood power supply cable connected to green ground screw

- Use UL listed wire connectors and connect black wires (B) together.
- Use UL listed wire connectors and connect white wires (D) together.

**⚠ WARNING**



**Fire Hazard**

**Electrically ground the blower.**

**Use copper wire.**

**Connect ground wire to green ground screw in terminal box.**

**Failure to do so can result in death, fire, or electrical shock.**

- Connect green (or bare) ground wire from home power supply to the unused green ground screw (E) in the terminal box and tighten ground screw.

- Push excess home power supply cable back through the strain relief and tighten strain relief screws. Use caulking to seal openings.
- Install terminal box cover and tighten screws.
- Check all light bulbs to make sure they are secure in their sockets.
- Reconnect power.

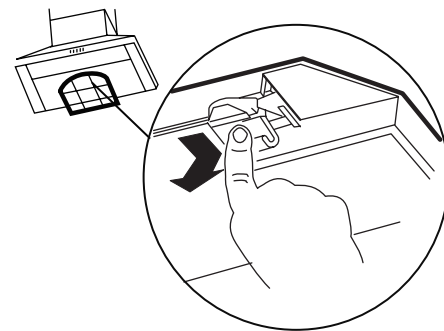
## Install Chimney Covers

### For Vented Installations

- Install damper on top of the exhaust opening. Check that the damper opens freely.
- Connect the vent system and seal all connections with clamps.

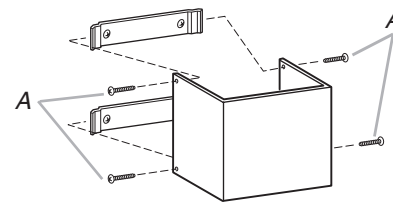
### For Non-vented (recirculating) Installations

- Insert the charcoal filter into the opening behind the grease filters and lock into place. See "Range Hood Care" section.



### Install Upper Chimney Cover

- Slightly spread the sides of the cover apart and hook them behind the chimney mounting brackets.
- Attach the cover to the brackets with 4 mounting screws.
- Securely tighten screws.



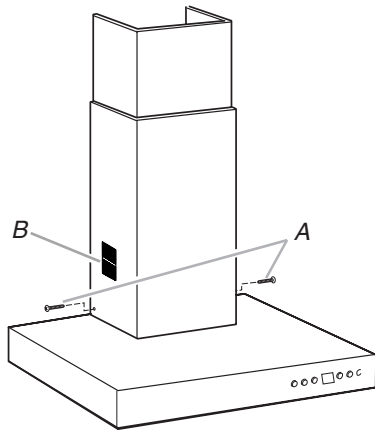
A. 4 mounting screws

### Install Lower Chimney Cover

- Slightly spread the sides of the cover apart and hook them behind the upper chimney and the wall.
- Attach the cover to the hood with 2 mounting screws.
- Securely tighten screws.

### For non-vented (recirculating) installations only

4. Snap vent grids into openings in lower chimney.



A. 2 mounting screws  
B. Vent grids (for non-vented installations)

## Complete Installation

1. Replace grease filters. See the "Range Hood Care" section.
2. Check the operation of the range hood fan and light. See "Range Hood Use" section.

If range hood does not operate, check to see whether a circuit breaker has tripped or a household fuse has blown. Disconnect power and check wiring connections.

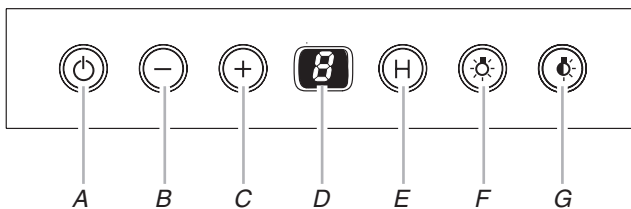
**NOTE:** To get the most efficient use from your new range hood, read the "Range Hood Use" section.

## RANGE HOOD USE

The range hood is designed to remove smoke, cooking vapors and odors from the cooktop area. For best results, start the hood before cooking and allow it to operate several minutes after the cooking is complete to clear all smoke and odors from the kitchen.

### Control Panel

The range hood controls are located on the right-hand front surface of the range hood.



- A. Fan motor on/off  
B. Decrease fan motor speed  
C. Increase fan motor speed  
D. Electronic display  
E. 10 minute timed boost  
F. Light  
G. Night light

### Operating the Light

1. Press the light button (F) to turn on the light.
2. Press the light button (F) to turn off the light.

### Operating the Night Light

1. Press the night light button (G) to turn on the night light.
2. Press the night light button (G) to turn off the night light.

### Operating the Fan and Adjusting Fan Speed

The fan has 4 speeds: 1 (low), 2 (medium), 3 (medium-high), and 4 (high).

1. Press the On/Off button (A) to turn the fan on. The speed setting will appear in the display.
2. Press the "plus" (+) or "minus" (-) buttons to increase or decrease the fan speed.
3. Press the On/Off button (A) to turn off the fan.

### 10-Minute Boost Function

Press the "H" button to start the 10-minute boost function. The fan motor will run on its highest speed (4) as the display counts down from 10 minutes. At the end of 10 minutes, the fan will return to the previously selected speed.

### Reset Filter Alert

After 100 hours of use, "C" will appear in the range hood display. This "C" indicates that the filter must be cleaned. "C" will appear only when turning off the range hood fan.

### Reset Alarm Display

1. Turn off the range hood fan and light.
2. Press the "plus" (+) button for 4 seconds. The "C" will disappear from the display, and the counter will reset to "0."

### Thermal Protector

The range hood is equipped with a thermal protector to avoid overheating conditions. If the range hood shuts off while in use, press the on/off button to turn off the range hood. Wait approximately 60 minutes, then press the on/off button to restart the range hood.

# RANGE HOOD CARE

## Cleaning

**IMPORTANT:** Clean the hood and grease filters frequently according to the following instructions. Replace grease filters before operating hood.

Be sure lights are cool before cleaning the hood.

### Exterior Surfaces

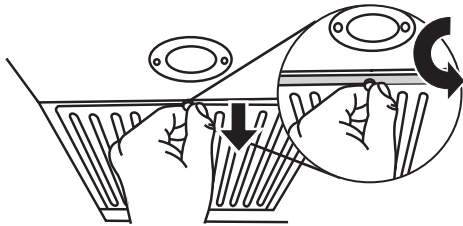
Clean the range hood with a mild detergent and soft cloth. To avoid damage to the exterior surface, do not use abrasive cleanser or steel-wool pads.

### Metal Grease Filters

The filters should be washed frequently. Place metal filters in dishwasher or hot detergent solution to clean. Drain water and let each filter dry thoroughly before replacing it.

#### To Remove Metal Grease Filters

1. Turn off fan and lights. Check that halogen lamp is cool.
2. Pull out on knob and turn counterclockwise to release metal grease filters.



#### To Replace Metal Grease Filters

1. Insert back edge of filter into rear channel of the filter opening.
2. Pull out on knob and turn counterclockwise. Position front edge into place and release knob.

### Charcoal Filters - For Non-Vented (recirculating) Installations

The charcoal filter is not washable nor reusable.

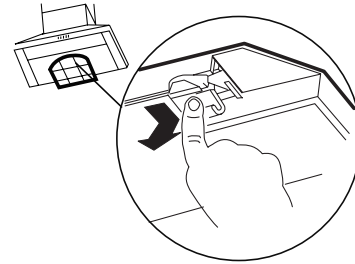
It should be changed every 4 months in normal use or more frequently in heavy use. To order new charcoal filters see "Assistance or Service" section.

The charcoal filter captures unpleasant cooking odors.

#### To Install Charcoal Filters

1. Turn fan and lights off. Check that halogen lamp is cool.
2. Remove the metal grease filters. See "Metal Grease Filters" section.
3. Set metal grease filters aside.

4. Place charcoal filter into opening. Press back and up on fixing hooks to secure filter in place.



5. Replace metal grease filters. See "Metal Grease Filters" section.

#### To Replace Charcoal Filters

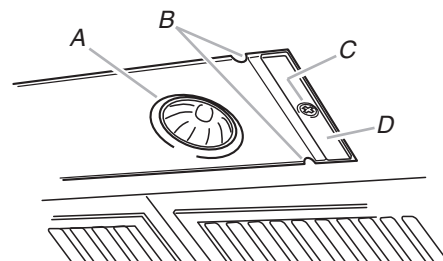
1. Turn fan and lights off. Check that halogen lamp is cool.
2. Remove the metal grease filters. See "Metal Grease Filters" section.
3. Set metal grease filters aside.
4. Discard the used charcoal filter.
5. Place charcoal filter into opening. Press back and up on fixing hooks to secure filter in place.
6. Replace metal grease filters. See "Metal Grease Filters" section.

### Replacing a Halogen Lamp

Turn off the range hood and allow the halogen lamp to cool. To avoid damage or decreasing the life of the new bulb, do not touch bulb with bare fingers. Replace bulb, using tissue or wearing cotton gloves to handle bulb.

If new lamps do not operate, make sure the lamps are inserted correctly before calling service.

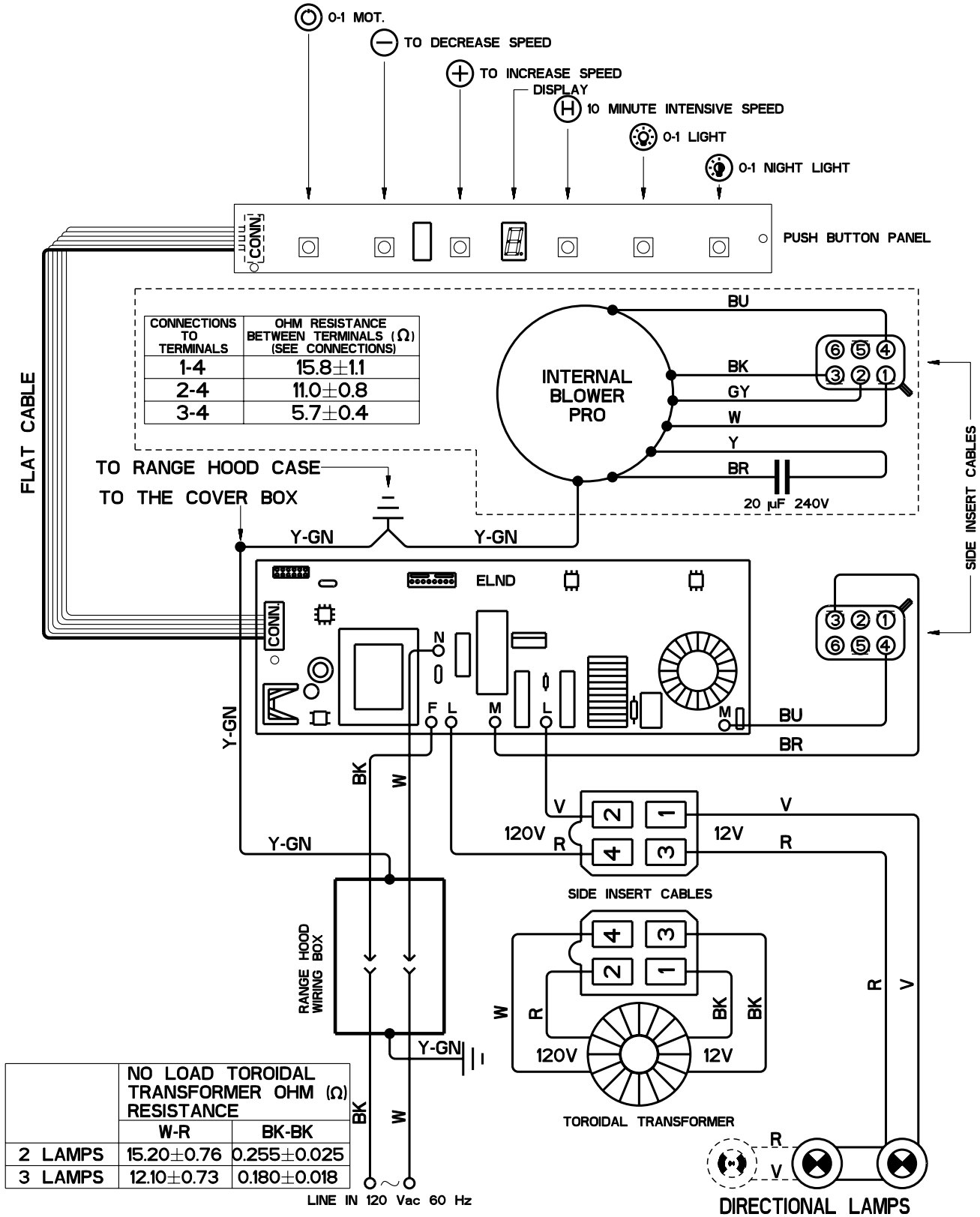
1. Disconnect power.
2. Use a Phillips screwdriver and remove the retainer clips located at each end of the lamp panel.
3. Slide the lamp panel all the way to the right. Lower the left end of the panel below the support tabs.
4. Remove the panel by sliding it back to the left. Set panel aside.



A. Halogen lamp  
B. Support tabs  
C. Screw  
D. Retainer clip

5. Gently push the lamp out of its socket clips.
6. Insert a new 12-volt, 20-watt halogen lamp into the socket and push into the clips.
7. Replace the lamp panel and retainer clips. Tighten clip screws securely.
8. Reconnect power.

# WIRING DIAGRAM



---

# ASSISTANCE OR SERVICE

---

When calling for assistance or service, please know the purchase date and the complete model and serial number of your appliance. This information will help us to better respond to your request.

## If you need replacement parts

If you need to order replacement parts, we recommend that you use only factory specified parts. Factory specified parts will fit right and work right because they are made with the same precision used to build every new appliance. To locate factory specified replacement parts in your area, call us or your nearest designated service center.

---

## In the U.S.A.

Call the KitchenAid Customer eXperience Center toll free: **1-800-422-1230**.

### Our consultants provide assistance with:

- Features and specifications on our full line of appliances.
- Installation information.
- Use and maintenance procedures.
- Accessory and repair parts sales.
- Specialized customer assistance (Spanish speaking, hearing impaired, limited vision, etc.).
- Referrals to local dealers, repair parts distributors and service companies. KitchenAid designated service technicians are trained to fulfill the product warranty and provide after-warranty service, anywhere in the United States.

To locate the KitchenAid designated service company in your area, you can also look in your telephone directory Yellow Pages.

### For further assistance

If you need further assistance, you can write to KitchenAid with any questions or concerns at:

KitchenAid Brand Home Appliances  
Customer eXperience Center  
553 Benson Road  
Benton Harbor, MI 49022-2692

Please include a daytime phone number in your correspondence.

---

## In Canada

Call the KitchenAid Canada Customer eXperience Centre toll free: **1-800-807-6777**.

### Our consultants provide assistance with:

- Features and specifications on our full line of appliances.
- Use and maintenance procedures.
- Accessory and repair parts sales.
- Referrals to local dealers, repair parts distributors and service companies. KitchenAid Canada designated service technicians are trained to fulfill the product warranty and provide after-warranty service, anywhere in Canada.

### For further assistance

If you need further assistance, you can write to KitchenAid Canada with any questions or concerns at:

Customer eXperience Centre  
KitchenAid Canada  
1901 Minnesota Court  
Mississauga, Ontario L5N 3A7

Please include a daytime phone number in your correspondence.

---

## Accessories

### Charcoal Filter Kit

(for non-vented installations only)

Order Part Number 8285507

### Recirculation Kit

(for non-vented installations only)

Order Part Number W10271501

### Chimney Extension Kit

Order Part Number W10271503 Stainless Steel

---

# KITCHENAID® VENTILATION WARRANTY

---

## LIMITED WARRANTY

For one year from the date of purchase, when this major appliance is operated and maintained according to instructions attached to or furnished with the product, KitchenAid brand of Whirlpool Corporation or Whirlpool Canada LP (hereafter "KitchenAid") will pay for Factory Specified Parts and repair labor to correct defects in materials or workmanship. Service must be provided by a KitchenAid designated service company. This limited warranty is valid only in the United States or Canada and applies only when the major appliance is used in the country in which it was purchased. Outside the 50 United States and Canada, this limited warranty does not apply. Proof of original purchase date is required to obtain service under this limited warranty.

---

## ITEMS EXCLUDED FROM WARRANTY

### This limited warranty does not cover:

1. Service calls to correct the installation of your major appliance, to instruct you on how to use your major appliance, to replace or repair house fuses, or to correct house wiring or plumbing.
2. Service calls to repair or replace appliance light bulbs, air filters or water filters. Consumable parts are excluded from warranty coverage.
3. Repairs when your major appliance is used for other than normal, single-family household use or when it is used in a manner that is contrary to published user or operator instructions and/or installation instructions.
4. Damage resulting from accident, alteration, misuse, abuse, fire, flood, acts of God, improper installation, installation not in accordance with electrical or plumbing codes, or use of consumables or cleaning products not approved by KitchenAid.
5. Cosmetic damage, including scratches, dents, chips or other damage to the finish of your major appliance, unless such damage results from defects in materials or workmanship and is reported to KitchenAid within 30 days from the date of purchase.
6. Costs associated with the removal from your home of your major appliance for repairs. This major appliance is designed to be repaired in the home and only in-home service is covered by this warranty.
7. Repairs to parts or systems resulting from unauthorized modifications made to the appliance.
8. Expenses for travel and transportation for product service if your major appliance is located in a remote area where service by an authorized KitchenAid servicer is not available.
9. The removal and reinstallation of your major appliance if it is installed in an inaccessible location or is not installed in accordance with published installation instructions.
10. Major appliances with original model/serial numbers that have been removed, altered or cannot be easily determined. This warranty is void if the factory applied serial number has been altered or removed from your major appliance.

The cost of repair or replacement under these excluded circumstances shall be borne by the customer.

---

## DISCLAIMER OF IMPLIED WARRANTIES; LIMITATION OF REMEDIES

CUSTOMER'S SOLE AND EXCLUSIVE REMEDY UNDER THIS LIMITED WARRANTY SHALL BE PRODUCT REPAIR AS PROVIDED HEREIN. IMPLIED WARRANTIES, INCLUDING WARRANTIES OF MERCHANTABILITY OR FITNESS FOR A PARTICULAR PURPOSE, ARE LIMITED TO ONE YEAR OR THE SHORTEST PERIOD ALLOWED BY LAW. KITCHENAID SHALL NOT BE LIABLE FOR INCIDENTAL OR CONSEQUENTIAL DAMAGES. SOME STATES AND PROVINCES DO NOT ALLOW THE EXCLUSION OR LIMITATION OF INCIDENTAL OR CONSEQUENTIAL DAMAGES, OR LIMITATIONS ON THE DURATION OF IMPLIED WARRANTIES OF MERCHANTABILITY OR FITNESS, SO THESE EXCLUSIONS OR LIMITATIONS MAY NOT APPLY TO YOU. THIS WARRANTY GIVES YOU SPECIFIC LEGAL RIGHTS, AND YOU MAY ALSO HAVE OTHER RIGHTS WHICH VARY FROM STATE TO STATE OR PROVINCE TO PROVINCE.

---

If outside the 50 United States and Canada, contact your authorized KitchenAid dealer to determine if another warranty applies.

If you need service, first see the "Troubleshooting" section of the Use & Care Guide. After checking "Troubleshooting," you may find additional help by checking the "Assistance or Service" section or by calling KitchenAid. In the U.S.A., call **1-800-422-1230**. In Canada, call **1-800-807-6777**.

9/07

---

**Keep this book and your sales slip together for future reference. You must provide proof of purchase or installation date for in-warranty service.**

Write down the following information about your major appliance to better help you obtain assistance or service if you ever need it. You will need to know your complete model number and serial number. You can find this information on the model and serial number label located on the product.

Dealer name \_\_\_\_\_  
Address \_\_\_\_\_  
Phone number \_\_\_\_\_  
Model number \_\_\_\_\_  
Serial number \_\_\_\_\_  
Purchase Date \_\_\_\_\_

---

## Notes



# SÉCURITÉ DE LA HOTTE DE CUISINIÈRE

## Votre sécurité et celle des autres est très importante.

Nous donnons de nombreux messages de sécurité importants dans ce manuel et sur votre appareil ménager. Assurez-vous de toujours lire tous les messages de sécurité et de vous y conformer.



Voici le symbole d'alerte de sécurité.

Ce symbole d'alerte de sécurité vous signale les dangers potentiels de décès et de blessures graves à vous et à d'autres.

Tous les messages de sécurité suivront le symbole d'alerte de sécurité et le mot "DANGER" ou "AVERTISSEMENT". Ces mots signifient :

**⚠ DANGER**

**Risque possible de décès ou de blessure grave si vous ne suivez pas immédiatement les instructions.**

**⚠ AVERTISSEMENT**

**Risque possible de décès ou de blessure grave si vous ne suivez pas les instructions.**

Tous les messages de sécurité vous diront quel est le danger potentiel et vous disent comment réduire le risque de blessure et ce qui peut se produire en cas de non-respect des instructions.

# IMPORTANTES INSTRUCTIONS DE SÉCURITÉ

**AVERTISSEMENT : POUR RÉDUIRE LE RISQUE D'INCENDIE, CHOC ÉLECTRIQUE OU DOMMAGES CORPORELS, RESPECTER LES INSTRUCTIONS SUIVANTES :**

- Utiliser cet appareil uniquement dans les applications envisagées par le fabricant. Pour toute question, contacter le fabricant.
- Avant d'entreprendre un travail d'entretien ou de nettoyage, interrompre l'alimentation de la hotte au niveau du tableau de disjoncteurs, et verrouiller le tableau de disjoncteurs pour empêcher tout rétablissement accidentel de l'alimentation du circuit. Lorsqu'il n'est pas possible de verrouiller le tableau de disjoncteurs, placer sur le tableau de disjoncteurs une étiquette d'avertissement proéminente interdisant le rétablissement de l'alimentation.
- Tout travail d'installation ou câblage électrique doit être réalisé par une personne qualifiée, dans le respect des prescriptions de tous les codes et normes applicables, y compris les codes du bâtiment et de protection contre les incendies.
- Une source d'air de débit suffisant est nécessaire pour le fonctionnement correct de tout appareil à gaz (combustion et évacuation des gaz à combustion par la cheminée), pour qu'il n'y ait pas de reflux des gaz de combustion. Respecter les directives du fabricant de l'équipement de chauffage et les prescriptions des normes de sécurité - comme celles publiées par la National Fire Protection Association (NFPA) et l'American Society for Heating, Refrigeration and Air Conditioning Engineers (ASHRAE), et les prescriptions des autorités réglementaires locales.
- Lors d'opérations de découpage et de perçage dans un mur ou un plafond, veiller à ne pas endommager les câblages électriques ou canalisations qui peuvent s'y trouver.
- Les ventilateurs d'évacuation doivent toujours décharger l'air à l'extérieur.

**MISE EN GARDE :** Cet appareil est conçu uniquement pour la ventilation générale. Ne pas l'utiliser pour l'extraction de matières ou vapeurs dangereuses ou explosives.

**MISE EN GARDE :** Pour minimiser le risque d'incendie et évacuer adéquatement les gaz, veiller à acheminer l'air aspiré par un conduit jusqu'à l'extérieur - ne pas décharger l'air aspiré dans un espace vide du bâtiment comme une cavité murale, un plafond, un grenier, un vide sanitaire ou un garage.

**AVERTISSEMENT : POUR RÉDUIRE LE RISQUE D'INCENDIE, UTILISER UNIQUEMENT DES CONDUITS MÉTALLIQUES.**

**AVERTISSEMENT : POUR MINIMISER LE RISQUE D'UN FEU DE GRAISSE SUR LA CUISINIÈRE :**

- Ne jamais laisser un élément de surface fonctionner à puissance de chauffage maximale sans surveillance. Un renversement/débordement de matière grasseuse pourrait provoquer une inflammation et la génération de fumée. Utiliser une puissance de chauffage moyenne ou basse pour le chauffage d'huile.
- Veiller à toujours faire fonctionner le ventilateur de la hotte lors de la cuisson avec une puissance de chauffage élevée ou lors de la cuisson d'un mets à flamber (à savoir crêpes Suzette, cerise jubilee, steak au poivre flambé).
- Nettoyer fréquemment les ventilateurs d'extraction. Veiller à ne pas laisser la graisse s'accumuler sur les surfaces du ventilateur ou des filtres.
- Utiliser toujours un ustensile de taille appropriée. Utiliser toujours un ustensile adapté à la taille de l'élément chauffant.

**AVERTISSEMENT : POUR RÉDUIRE LE RISQUE DE DOMMAGES CORPORELS APRÈS LE DÉCLENCHEMENT D'UN FEU DE GRAISSE SUR LA CUISINIÈRE, APPLIQUER LES RECOMMANDATIONS SUIVANTES :**<sup>a</sup>

- Placer sur le récipient un couvercle bien ajusté, une tôle à biscuits ou un plateau métallique **POUR ÉTOUFFER LES FLAMMES**, puis éteindre le brûleur. **VEILLER À ÉVITER LES BRÛLURES**. Si les flammes ne s'éteignent pas immédiatement, **ÉVACUER LA PIÈCE ET APPELER LES POMPIERS**.
- **NE JAMAIS PRENDRE EN MAIN UN RÉCIPIENT ENFLAMMÉ** - vous risquez de vous brûler.
- **NE PAS UTILISER D'EAU**, ni un torchon humide - ceci pourrait provoquer une explosion de vapeur brûlante.
- Utiliser un extincteur **SEULEMENT** si :
  - Il s'agit d'un extincteur de classe ABC, dont on connaît le fonctionnement.
  - Il s'agit d'un petit feu encore limité à l'endroit où il s'est déclaré.
  - Les pompiers ont été contactés.
  - Il est possible de garder le dos orienté vers une sortie pendant l'opération de lutte contre le feu.

<sup>a</sup>Recommandations tirées des conseils de sécurité en cas d'incendie de cuisine publiés par la NFPA.

- **AVERTISSEMENT :** Pour réduire le risque d'incendie ou de choc électrique, ne pas utiliser ce ventilateur avec un quelconque dispositif de réglage de la vitesse à semi-conducteurs.

## LIRE ET CONSERVER CES INSTRUCTIONS

# EXIGENCES D'INSTALLATION

## Outillage et pièces

Rassembler les outils et pièces nécessaires avant de commencer l'installation. Lire et suivre les instructions fournies avec les outils indiqués ici.

### Outils nécessaires

- Niveau
- Perceuse
- Foret de 1 1/4" (3 cm)
- Foret de 3/32" (2,4 mm)
- Foret de 1/8" (3,0 mm)
- Crayon
- Pince à dénuder ou couteau utilitaire
- Mètre-ruban ou règle
- Pince
- Pistolet à calfeutrage et composé de calfeutrage résistant aux intempéries
- Brides de serrage pour conduit d'évacuation
- Scie sauteuse ou scie à guichet
- Tournevis à lame plate
- Cisaille de ferblantier
- Tournevis Phillips
- Ciseaux

### Pièces nécessaires

- Câble d'alimentation électrique du domicile
- 1 serre-câble de 1/2" (12,7 mm) (homologation UL ou CSA)
- 2 connecteurs de fils homologués UL

### Pour les installations avec décharge à l'extérieur, il vous faudra aussi :

- 1 bouche de décharge (décharge à travers le mur ou à travers le toit)
- Conduit d'évacuation métallique

### Pour les installations sans décharge à l'extérieur (recyclage), il vous faudra aussi :

- Ensemble de cheminée pour recyclage, pièce n° W10271501, pour les installations sans décharge à l'extérieur seulement. Voir la section "Assistance ou service" pour commander.

### Pièces fournies

Retirer les pièces des emballages. Vérifier que toutes les pièces sont présentes.

- 2 filtres à graisse métalliques, pour modèle de 30" (76,2 cm)
- 3 filtres à graisse métalliques, pour modèle de 36" (91,4 cm)
- 6 vis à tête plate
- 2 brides de montage de la cheminée
- 6 vis de montage à tête Phillips n° 10
- Cache-cheminée, partie supérieure
- Cache-cheminée, partie inférieure
- Clapet

## Exigences d'emplacement

**IMPORTANT :** Observer les dispositions de tous les codes et règlements en vigueur.

Confier l'installation de la hotte à un technicien qualifié. C'est à l'installateur qu'incombe la responsabilité de respecter les distances de séparation spécifiées sur la plaque signalétique de l'appareil. La plaque signalétique est située à l'intérieur de la hotte, sur la paroi arrière.

On doit toujours installer la hotte à distance des sources de courant d'air (fenêtres, portes et bouches de chauffage).

Respecter les dimensions indiquées pour les ouvertures à découper dans les placards; ces dimensions tiennent compte des valeurs minimales des dégagements de séparation.

On doit disposer d'une prise de courant électrique reliée à la terre. Voir la section "Spécifications électriques".

La hotte est configurée à l'usine pour la décharge à travers le toit ou un mur. Pour une installation sans décharge à l'extérieur (recyclage), voir "Installation sans décharge à l'extérieur (recyclage)", à la section "Préparation de l'emplacement".

L'ensemble de cheminée pour recyclage (pièce n° W10271501) est disponible chez votre marchand ou chez un distributeur de pièces autorisé.

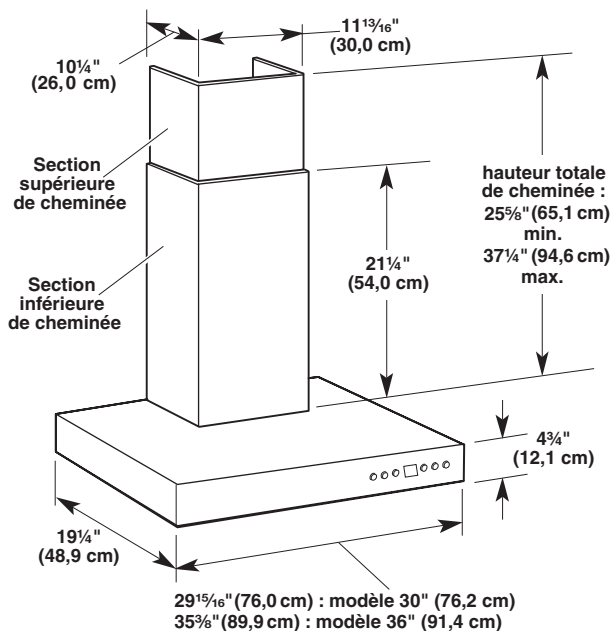
Assurer l'étanchéité au niveau de chaque ouverture découpée dans le plafond ou le mur pour l'installation de la hotte de cuisinière.

### Installation dans une résidence mobile

L'installation de cette hotte doit satisfaire aux exigences de la norme Manufactured Home Construction Safety Standards, Titre 24 CFR, partie 328 (anciennement Federal Standard for Mobile Home Construction and Safety, titre 24, HUD, partie 280); lorsque cette norme n'est pas applicable, l'installation doit satisfaire aux critères de la plus récente édition de la norme Manufactured Home Installation 1982 (Manufactured Home Sites, Communities and Setups) ANSI A225.1/NFPA 501A\*, ou des codes et règlements locaux.

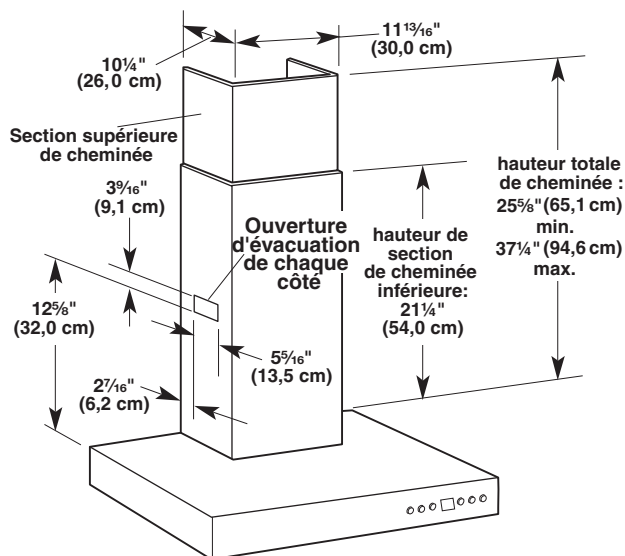
## Dimensions du produit

### Installations avec décharge à l'extérieur

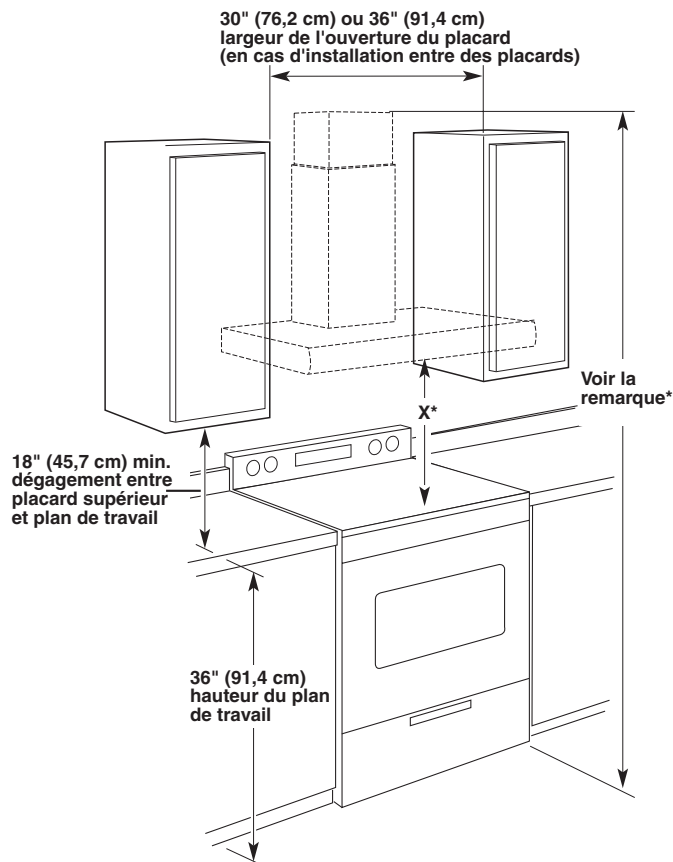


### Installations sans décharge à l'extérieur (recyclage)

Pour les installations sans décharge à l'extérieur (recyclage), l'ensemble de cheminée facultatif pour recyclage, pièce n° W10271501, doit être utilisé. Cet ensemble comprend un nouveau cache-cheminée inférieur, qui remplace le cache-cheminée inférieur livré avec la hotte d'aspiration, un raccord de déviation avec pièces d'extension, un raccord de conduit, deux grilles pour insertion dans le cache-cheminée inférieur et un filtre à charbon.



## Dimensions à respecter lors de l'installation



**\*REMARQUE :** La cheminée de la hotte est réglable; on peut l'ajuster en fonction de la hauteur disponible sous plafond ou soffite, et selon la distance "X" entre le bas de la hotte et la surface de cuisson. Pour des hauteurs sous plafond plus élevées, un ensemble d'extension de cheminée en acier inoxydable (pièce n° W10271503) est disponible chez votre marchand ou chez un distributeur de pièces autorisé. L'extension de cheminée remplace la section supérieure de cheminée fournie avec la hotte.

### IMPORTANT :

Valeur minimale de la distance "X" : 30" (76,2 cm)  
Valeur maximale suggérée pour la distance "X" : 36" (91,4 cm)

Les cache-cheminée peuvent être ajustés pour s'adapter à une hauteur de plafond comprise entre 8' 3/8" (2,55 m) and 9' 6" (2,90 m) à la fois pour des installations avec ou sans décharge à l'extérieur (recyclage).

Si le plafond est plus bas, la section supérieure du cache-cheminée peut être raccourcie en retirant jusqu'à 5 1/4" (13,3 cm) du bas du cache-cheminée pour les installations avec décharge à l'extérieur et jusqu'à 11 1/4" (28,6 cm) pour les installations sans décharge à l'extérieur (recyclage). Ceci donnera une hauteur sous plafond minimale de 7' 8" (2,34 m).

**REMARQUE :** Si l'on doit sectionner la section supérieure du cache-cheminée pour l'adapter à l'installation effectuée, on ne doit pas utiliser la bride de la section inférieure du cache-cheminée.

## Exigences concernant l'évacuation (Pour modèles avec décharge à l'extérieur seulement)

- Le système d'évacuation doit décharger l'air à l'extérieur, excepté pour les installations sans décharge à l'extérieur (recyclage).
- Ne pas terminer le conduit d'évacuation dans un grenier ou dans un autre espace fermé.
- Ne pas utiliser une bouche de décharge murale de 4" (10,2 cm) normalement utilisée pour un équipement de buanderie.
- Utiliser un conduit métallique uniquement. Un conduit en métal rigide est recommandé. Ne pas utiliser un conduit de plastique ou en feuille métallique.
- La longueur du système d'évacuation et le nombre de coudes doit être réduit au minimum pour fournir la meilleure performance.

### Pour un fonctionnement efficace et silencieux :

- Ne pas utiliser plus de trois coudes à 90°.
- Veiller à ce qu'il y ait une section droite de conduit de 24" (61,0 cm) ou plus entre deux coudes, si on doit utiliser plus d'un raccord coudé.
- Ne pas installer 2 coudes ensemble.
- Au niveau de chaque jointure du conduit de décharge, assurer l'étanchéité avec les brides de serrage pour conduit.
- Le système d'évacuation doit comporter un clapet. Si la bouche de décharge murale ou par le toit comporte un clapet, ne pas utiliser le clapet fourni avec la hotte de cuisinière.
- Autour de la bouche de décharge à l'extérieur, assurer l'étanchéité avec un produit de calfeutrage.
- La taille du conduit doit être uniforme.

### Installations pour régions à climat froid

On doit installer un clapet anti-reflux additionnel à l'arrière pour minimiser le reflux d'air froid, et incorporer un élément d'isolation thermique pour minimiser la conduction de chaleur par l'intermédiaire du conduit d'évacuation, de l'intérieur de la maison à l'extérieur. Le clapet anti-reflux doit être placé du côté air froid par rapport à l'élément d'isolation thermique.

L'élément d'isolation thermique doit être aussi proche que possible de l'endroit où le système d'évacuation s'introduit dans la partie chauffée de la maison.

### Air d'appoint

Le code du bâtiment local peut exiger l'emploi d'un système d'appoint d'air lors de l'emploi d'un ventilateur d'extraction dont la capacité d'aspiration est supérieure à un débit (pieds cubes par minute) spécifié. Le débit spécifié, en pieds cubes par minute, est variable d'une juridiction à une autre. Consulter un professionnel des installations de chauffage ventilation/ climatisation au sujet des exigences spécifiques applicables dans la juridiction locale.

### Méthodes d'évacuation

Cette hotte est configurée à l'usine pour la décharge de l'air aspiré à travers le toit ou à travers un mur.

Un circuit d'évacuation en conduit rond de 6" (15,2 cm) est nécessaire pour l'installation (non fourni). La hotte comporte une ouverture de sortie de diamètre 6" (15,2 cm).

**REMARQUE :** On déconseille l'emploi d'un conduit flexible. Un conduit flexible peut causer une rétro-pression et des turbulences de l'air, ce qui réduit considérablement la performance.

La sortie à l'extérieur du circuit d'évacuation peut se faire à travers le toit ou à travers un mur. Pour la sortie à travers un mur, on doit employer un raccord coudé à 90°.

### Décharge par l'arrière

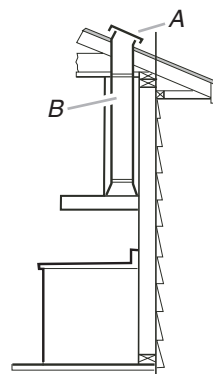
Le raccord coudé à 90° peut être installé immédiatement au-dessus de la hotte.

### Installation sans décharge à l'extérieur (recyclage)

S'il n'est pas possible d'évacuer les fumées et vapeurs de cuisson à l'extérieur, on peut employer la version "Installation sans décharge à l'extérieur (recyclage)" de la hotte dotée d'un filtre à charbon actif et du raccord de diversion. Les vapeurs/fumées sont alors recyclées à travers la grille supérieure.

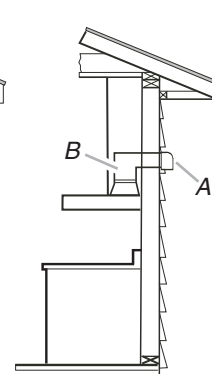
**REMARQUE :** L'installation sans décharge à l'extérieur (recyclage) n'est pas autorisée sur des tables de cuisson au débit thermique de 60 000 BTU ou plus.

#### Décharge à travers le toit



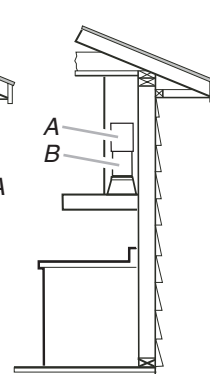
A. Bouche de décharge sur toit  
B. Conduit dia. 6" (15,2 cm)

#### Décharge à travers le mur



A. Bouche de décharge murale  
B. Conduit dia. 6" (15,2 cm)



#### Installation sans décharge à l'extérieur (recyclage)



A. Raccord de diversion  
B. Extension de conduit dia. 6" (15,2 cm)

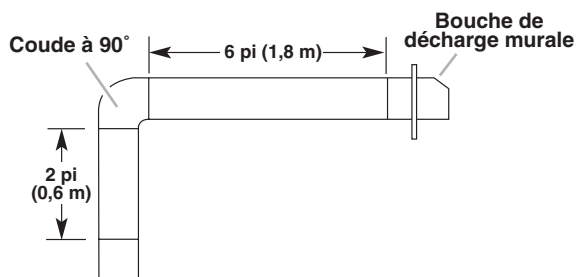
## Calcul de la longueur effective du circuit d'évacuation

Pour calculer la longueur effective du circuit d'évacuation nécessaire, additionner les longueurs équivalentes (pieds/mètres) de tous les composants utilisés dans le système.

Composant	Conduit de diamètre 6" (15,2 cm)	
Coude à 45°	2,5 pi (0,8 m)	
Coude à 90°	5 pi (1,5 m)	

La longueur équivalente maximum est de 35 pi (10,7 m).

### Exemple de système de décharge



Dans l'exemple suivant, la longueur de conduit recommandée est de 35 pi (10,7 m) maximum.

1 coude à 90°	= 5 pi (1,5 m)
1 bouche de décharge murale	= 0 pi (0 m)
Section droite de 8 pi (2,4 m)	= 8 pi (2,4 m)
Longueur du système	= 13 pi (3,9 m)

## Spécifications électriques

Observer les dispositions de tous les codes et règlements en vigueur.

L'installation électrique doit satisfaire les exigences de la plus récente édition de la norme National Electrical Code, ANSI/NFPA 70, ou de la norme CSA C22.1-94, Code canadien de l'électricité, partie 1 et C22.2 N° 0-M91 (dernière édition) et de tous les codes et règlements en vigueur locaux.

Si les codes le permettent et si on utilise un conducteur distinct de liaison à la terre, il est recommandé qu'un électricien qualifié vérifie la qualité de la liaison à la terre.

Pour obtenir un exemplaire de la norme des codes ci-dessus, contacter :

National Fire Protection Association  
One Batterymarch Park  
Quincy, MA 02269  
CSA International  
8501 East Pleasant Valley Road  
Cleveland, OH 44131-5575

- L'appareil doit être alimenté par un circuit de 120 V, CA seulement, 60 Hz, 15 A, protégé par fusible.
- Si le domicile est équipé d'un câblage en aluminium, suivre les instructions suivantes :

1. Connecter une section de câble en cuivre massif aux conducteurs en queue de cochon.
2. Connecter le câblage en aluminium à la section ajoutée de câblage en cuivre en utilisant des connecteurs et/ou des outils spécialement conçus et homologués UL pour fixer le cuivre à l'aluminium.

Appliquer la procédure recommandée par le fabricant des connecteurs. La connexion aluminium/cuivre doit être conforme aux codes locaux et aux pratiques de câblage acceptées par l'industrie.

- Le calibre des conducteurs et les connexions doivent être compatibles avec la demande de courant de l'appareil spécifiée sur la plaque signalétique. La plaque signalétique de l'appareil est située derrière le filtre, sur la paroi arrière de la hotte.
- Le calibre des conducteurs doit satisfaire les exigences de la plus récente édition de la norme National Electrical Code, ANSI/NFPA 70, ou de la norme CSA C22.1-94, Code canadien de l'électricité, partie 1 et C22.2 n° 0-M91 (dernière édition) et de tous les codes et règlements en vigueur.

# INSTRUCTIONS D'INSTALLATION

## Préparation de l'emplacement

- Il est recommandé d'installer le conduit de décharge avant de procéder à l'installation de la hotte.
  - Avant d'exécuter les découpages, vérifier la disponibilité d'un espace de passage suffisant dans le plafond ou le mur pour le conduit d'évacuation.
  - Avant de sélectionner la hotte à installer, mesurer la hauteur libre sous plafond et la hauteur maximum disponible sous la hotte.
1. Déconnecter la source de courant électrique.
  2. Déterminer la méthode d'extraction à utiliser : décharge à travers le mur ou le toit, ou recyclage.
  3. Sélectionner une surface plane pour l'assemblage de la hotte. Placer le matériau de protection sur cette surface.

### **AVERTISSEMENT**

#### Risque du poids excessif

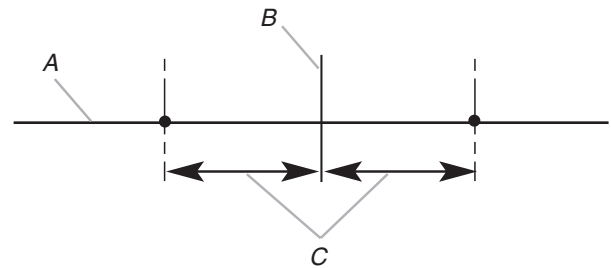
Utiliser deux ou plus de personnes pour déplacer et installer la hotte de la cuisinière.

Le non-respect de cette instruction peut causer une blessure au dos ou d'autre blessure.

4. À l'aide de deux personnes ou plus, soulever la hotte et la poser sur la surface couverte. Incliner la hotte vers l'arrière et ôter les filtres; les conserver à part. Voir la section "Entretien de la hotte".

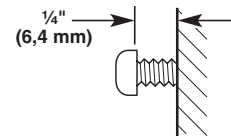
2. Marquer 2 points de chaque côté de la ligne horizontale à  $4\frac{1}{16}$ " (11,6 cm) de l'axe central vertical.
3. Percer des avant-trous de  $\frac{3}{32}$ " (2,4 mm) pour l'installation dans le bois. Les vis fournies servent à fixer la hotte dans le bois.

Le montage sur un panneau de gypse ou du plâtre n'est pas recommandé.



A. Ligne horizontale  
B. Axe central vertical  
C.  $4\frac{1}{16}$ " (11,6 cm)

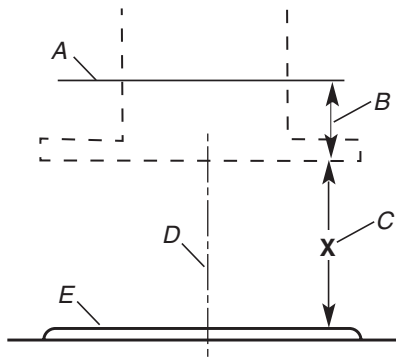
4. Installer les 2 vis de montage à tête Phillips n° 10. Laisser un espace de  $\frac{1}{4}$ " (6,4 mm) entre le mur et l'arrière de la tête de la vis pour faire glisser la hotte en place.



## Installation des vis de montage de la hotte

1. Tracer sur le mur la ligne représentant l'axe central à l'endroit où la hotte sera installée.

En fonction de la hauteur sous plafond ou soffite, déterminer la distance "X" (30" [76,2 cm] min. et 36" [91,4 cm] max. suggérée) nécessaire entre la surface de cuisson et le bas de la hotte. À cette distance, ajouter  $15\frac{1}{8}$ " (43,8 cm) et tracer une ligne horizontale (A) d'environ 24" (61,0 cm) de longueur centrée par rapport à l'axe central vertical (B) à cette distance.

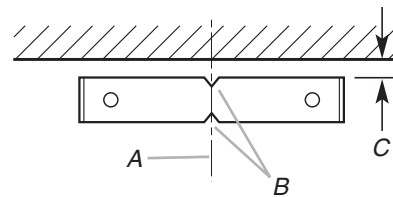


A. Ligne horizontale  
B.  $15\frac{1}{8}$ " (43,8 cm)  
C. Distance "X" suggérée (30" [76,2 cm] min., 36" [91,4 cm] max.)  
D. Axe central vertical  
E. Surface de cuisson

## Installation de la bride de support de la cheminée

1. Placer une des brides de la cheminée contre le mur pour que le bord supérieur se trouve à  $\frac{1}{16}$ " (2 mm) du plafond ou soffite et régler l'aplomb.

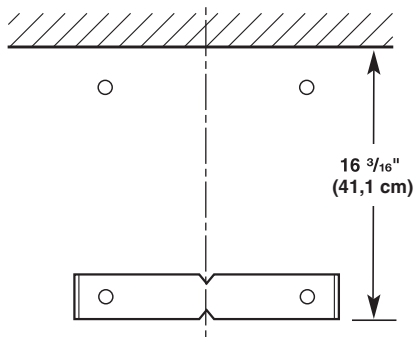
Aligner les encoches centrales de la bride et l'axe central. Marquer l'emplacement du centre des trous de la bride.



A. Axe central vertical  
B. Encoches centrales  
C.  $\frac{1}{16}$ " (1,6 mm)

- Placer l'autre bride de la cheminée sur le mur pour que le bord inférieur se trouve à  $16\frac{3}{16}$ " (41,1 cm) du plafond ou soffite et régler l'aplomb.

Aligner les encoches centrales de la bride et l'axe central. Marquer l'emplacement du centre des trous de la bride.



- Percer des avant-trous de  $\frac{3}{32}$ " (2,4 mm) pour l'installation dans le bois. Les vis fournies servent à fixer la hotte dans le bois. Le montage sur un panneau de gypse ou du plâtre n'est pas recommandé.
- Fixer chaque bride sur le mur avec 2 vis de montage à tête Phillips n° 10. Bien serrer les vis.

### Achever la préparation

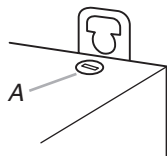
- Déterminer et marquer toutes les lignes de découpage nécessaires sur le mur pour le passage du système d'évacuation. Installer le système d'évacuation avant la hotte. Voir la section "Exigences concernant l'évacuation".
- Déterminer l'emplacement de passage du câble d'alimentation à travers le mur.
 

**REMARQUE :** Pour la souplesse du câblage, la boîte de connexion est externe au moteur de la hotte. Environ 24" (61,0 cm) de câble raccordent la boîte de connexion au moteur de la hotte.

Vérifier que la section inférieure du cache-cheminée dissimulera l'emplacement choisi.
- Percer un trou de  $1\frac{1}{4}$ " (3,2 cm) à cet emplacement.
- Tirer suffisamment de câble d'alimentation à travers le mur pour permettre un raccordement facile jusqu'à la boîte de connexion.

### Installation de la hotte

- Avec un tournevis à lame plate, serrer les 2 vis de réglage de l'aplomb situées à proximité des brides de montage de la hotte.



A. Vis de réglage de l'aplomb

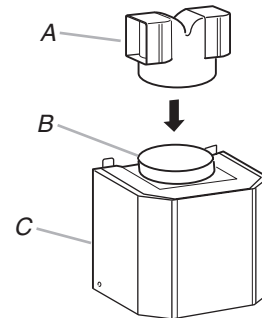
### Installations avec décharge à l'extérieur

Passer à l'étape 5.

### Installations sans décharge à l'extérieur (recyclage)

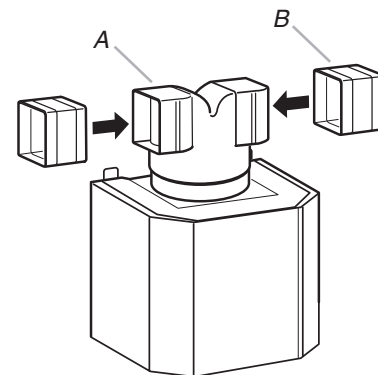
**REMARQUE :** L'installation sans décharge à l'extérieur (recyclage) n'est pas autorisée sur les tables de cuisson au débit thermique de 60 000 BTU ou plus.

- Installer l'ensemble de conversion pour installation sans décharge à l'extérieur (recyclage) commandé pour votre hotte.
- Placer le raccord de déviation sur l'orifice de sortie du moteur du ventilateur et appuyer pour le faire reposer sur l'orifice. Vérifier que les sorties du raccord de diversion sont parallèles aux côtés du carter du ventilateur - réaliser ainsi l'alignement entre les sorties du raccord de diversion et les ouvertures du cache-cheminée dans la partie inférieure de la cheminée.



A. Raccord de diversion  
B. Orifice de sortie du moteur de ventilateur  
C. Moteur du ventilateur

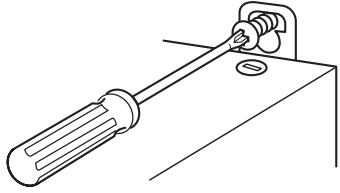
- Installer les 2 pièces d'extension sur le raccord de diversion - pousser jusqu'à la butée.



A. Raccord de diversion  
B. Extension d'évacuation



- À l'aide de 2 personnes ou plus, soulever la hotte et placer les brides de montage sur les vis de montage. Bien serrer les vis.



- Régler l'aplomb de la hotte. Ajuster les 2 vis de réglage de l'aplomb (voir étape 1) selon le besoin.

## Raccordement électrique

### **⚠ AVERTISSEMENT**



#### Risque de choc électrique

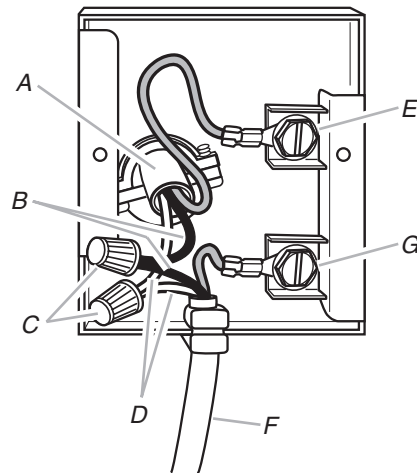
**Déconnecter la source de courant électrique avant l'entretien.**

**Replacer pièces et panneaux avant de faire la remise en marche.**

**Le non-respect de ces instructions peut causer un décès ou un choc électrique.**

- Déconnecter la source de courant électrique.
- Ôter le couvercle du boîtier de connexion.
- Ôter l'opercule arrachable sur le couvercle du boîtier de connexion et installer un serre-câble de 1/2" (homologation UL ou CSA).
- Centrer le trou de câblage dans le boîtier de connexion sur le trou de câblage de diamètre de 1 1/4" (3,2 cm) dans le mur. Marquer l'emplacement des 2 trous de montage du boîtier de connexion. Percer des trous de 1/8" (3,0 mm) de diamètre si nécessaire pour l'installation.
- Acheminer 3 conducteurs noir, blanc et vert (ou nu) entre l'alimentation électrique du domicile et le boîtier de connexion, via le serre-câble.

- Fixer le boîtier de connexion au mur et bien serrer les vis.



- A. Câble d'alimentation électrique du domicile
- B. Conducteurs noirs
- C. Connecteurs de fils (homologation UL)
- D. Conducteurs blancs
- E. Conducteur de liaison à la terre vert (ou nu) du câble d'alimentation électrique du domicile connecté à la vis verte de liaison à la terre.
- F. Câble d'alimentation de la hotte
- G. Câble d'alimentation de la hotte connecté à la vis verte de liaison à la terre.

- Connecter ensemble les conducteurs noirs (B) avec des connecteurs de fils (homologation UL).
- Connecter ensemble les conducteurs blancs (D) avec des connecteurs de fils (homologation UL).

### **⚠ AVERTISSEMENT**



#### Risque d'incendie

**Relier le ventilateur à la terre.**

**Utiliser du fil en cuivre.**

**Brancher le fil relié à la terre à la vis verte reliée à la terre dans la boîte de la borne.**

**Le non-respect de ces instructions peut causer un décès, un incendie ou un choc électrique.**

- Connecter le conducteur de liaison à la terre (vert ou nu) du câble d'alimentation du domicile à la vis verte de liaison à la terre non utilisée (E) dans le boîtier de connexion et serrer la vis de liaison à la terre.
- Repousser l'excédent de câble d'alimentation électrique du domicile dans le serre-câble et serrer les vis du serre-câble. Utiliser un calfeutrant pour assurer l'étanchéité au niveau des ouvertures découpées.
- Installer le couvercle du boîtier de connexion et serrer les vis.
- Inspecter chaque lampe; vérifier que chaque lampe est bien insérée dans sa douille.
- Reconnecter la source de courant électrique.

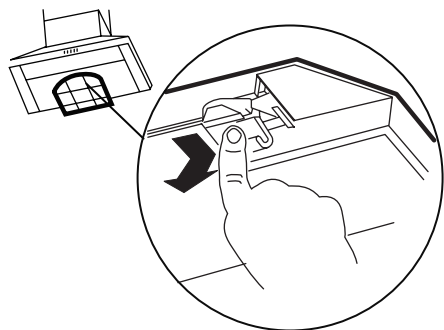
## Installation du cache-cheminée

### Installations avec décharge à l'extérieur

1. Installer un clapet sur la partie supérieure de l'ouverture du conduit d'évacuation. Vérifier que le clapet s'ouvre sans obstruction.
2. Raccorder le système d'évacuation et sceller toutes les connexions avec des brides.

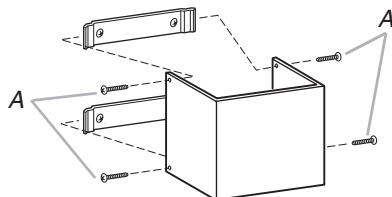
### Installations sans décharge à l'extérieur (recyclage)

1. Insérer le filtre à charbon dans l'ouverture derrière les filtres à graisse et le bloquer en place. Voir la section "Entretien de la hotte".



### Installation de la section supérieure du cache-cheminée

1. Écarter légèrement les côtés du cache-cheminée l'un de l'autre et les fixer derrière les brides de montage de la cheminée.
2. Fixer le cache-cheminée aux brides avec 4 vis de montage.
3. Bien serrer les vis.



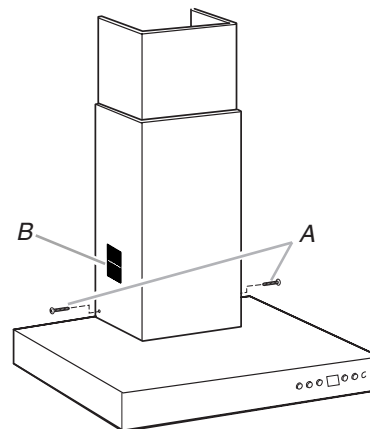
A. 4 vis de montage

### Installation de la section inférieure du cache-cheminée

1. Écarter légèrement les côtés du cache-cheminée l'un de l'autre et les fixer derrière la section supérieure de la cheminée et le mur.
2. Fixer le cache-cheminée à la hotte avec 2 vis de montage.
3. Bien serrer les vis.

### Installation sans décharge à l'extérieur (recyclage) seulement

4. Emboîter des grilles de ventilation dans les ouvertures de la section inférieure de la cheminée.



A. 2 vis de montage

B. Grilles de ventilation (pour installations sans décharge à l'extérieur)

## Achever l'installation

1. Remplacer les filtres à graisse. Voir la section "Entretien de la hotte".
2. Vérifier le fonctionnement du ventilateur et de la lampe de la hotte. Voir la section "Utilisation de la hotte".

Si la hotte ne fonctionne pas, déterminer si un disjoncteur s'est ouvert ou si un fusible est grillé. Déconnecter la source de courant électrique et vérifier les connexions du câblage.

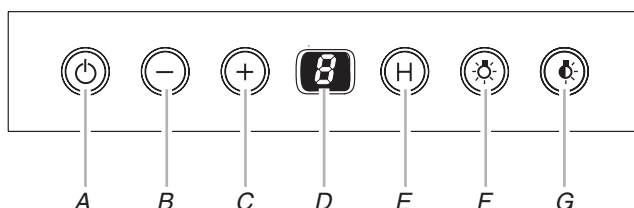
**REMARQUE :** Pour pouvoir tirer le plus grand parti de la nouvelle hotte de cuisinière, lire la section "Utilisation de la hotte".

# UTILISATION DE LA HOTTE

La hotte de cuisinière est conçue pour extraire fumée, vapeurs de cuisson et odeurs au-dessus de la table de cuisson. Pour obtenir les meilleurs résultats, mettre le ventilateur de la hotte en marche avant d'entreprendre une cuisson, et laisser le ventilateur fonctionner pendant plusieurs minutes après l'achèvement d'une cuisson pour pouvoir évacuer de la cuisine toute trace d'odeur de cuisson, vapeur ou fumée.

## Tableau de commande

Les commandes de la hotte sont situées sur la surface avant droite de la hotte.



A. Bouton on/off (marche/arrêt) du ventilateur

B. Diminuer la vitesse du moteur du ventilateur

C. Augmenter la vitesse du moteur du ventilateur

D. Affichage électronique

E. Période d'accélération de 10 minutes

F. Lampe

G. Veilleuse

## Fonctionnement de l'éclairage

1. Appuyer sur le bouton de commande de l'éclairage (F) pour allumer la lampe.
2. Appuyer sur le bouton de commande de l'éclairage (F) pour éteindre la lampe.

## Fonctionnement de la veilleuse

1. Appuyer sur le bouton de la veilleuse (G) pour allumer la veilleuse.
2. Appuyer sur le bouton de la veilleuse (G) pour l'éteindre.

## Fonctionnement du ventilateur et réglage de la vitesse de ventilation

Le ventilateur comporte 4 vitesses : 1 (basse), 2 (moyenne), 3 (moyenne-élevée) et 4 (élevée).

1. Appuyer sur le bouton On/Off (marche/arrêt) (A) pour mettre le ventilateur en marche. Le réglage de vitesse apparaît sur l'afficheur.
2. Appuyer sur les boutons "plus" (+) ou "moins" (-) pour augmenter ou diminuer la vitesse du ventilateur.
3. Appuyer sur le bouton On/Off (marche/arrêt) (A) pour arrêter le ventilateur.

## Fonction d'accélération pendant 10 minutes

Appuyer sur le bouton "H" pour mettre en marche la fonction d'accélération de 10 minutes. Le moteur du ventilateur fonctionnera à sa vitesse maximale (4) pendant 10 minutes. À la fin de la période de 10 minutes, le ventilateur revient à la vitesse sélectionnée précédemment.

## Réinitialisation de l'alerte du filtre

Après 100 heures d'utilisation, "C" apparaît sur l'afficheur de la hotte. Ceci indique que le filtre a besoin d'être nettoyé. "C" apparaît seulement lorsqu'on éteint le ventilateur de la hotte.

## Réinitialisation de l'afficheur de l'alarme

1. Éteindre le ventilateur et la lampe de la hotte.
2. Appuyer sur le bouton "plus" (+) pendant 4 secondes. Le "C" disparaît de l'afficheur et le compteur revient à "0".

## Dispositif de protection thermique

La hotte est équipée d'un dispositif de protection thermique permettant d'éviter les conditions de surchauffe. Si la hotte s'éteint en cours d'utilisation, appuyer sur le bouton on/off (marche/arrêt) pour éteindre la hotte. Attendre environ 60 minutes puis appuyer sur le bouton on/off pour remettre la hotte en marche.

# ENTRETIEN DE LA HOTTE

## Nettoyage

**IMPORTANT :** Nettoyer fréquemment la hotte et les filtres à graisse en suivant les instructions suivantes. Réinstaller les filtres à graisse avant de faire fonctionner la hotte.

Avant d'entreprendre le nettoyage de la hotte, attendre le refroidissement des lampes.

### Surfaces externes

Nettoyer la hotte avec un détergent doux et un chiffon doux. Pour éviter d'endommager la surface externe, ne pas utiliser un produit de nettoyage abrasif ou un tampon de laine d'acier.

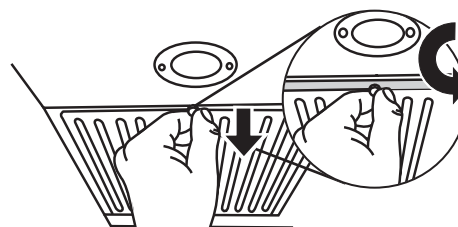
### Filtres à graisse métalliques

Laver fréquemment les filtres. Placer les filtres métalliques dans un lave-vaisselle ou une solution de détergent chaude.

Laisser l'eau s'écouler et laisser sécher parfaitement chaque filtre avant de le réinstaller.

### Dépose des filtres à graisse métalliques

1. Éteindre le ventilateur et les lampes. Vérifier que la lampe à halogène est froide.
2. Tirer sur le bouton et le tourner dans le sens antihoraire pour libérer les filtres à graisse métalliques.



## Réinstallation des filtres à graisse métalliques

1. Insérer le bord arrière du filtre dans la rainure arrière de l'ouverture d'installation du filtre.
2. Tirer sur le bouton et le tourner dans le sens antihoraire. Placer le bord avant et relâcher le bouton.

## Filtres à charbon - Installation sans décharge à l'extérieur (recyclage)

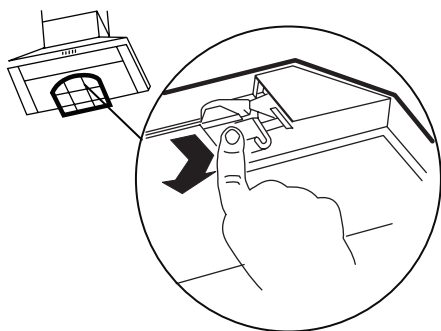
Le filtre à charbon n'est pas lavable ou réutilisable.

Il doit être remplacé tous les 4 mois en cas d'utilisation normale ou plus fréquemment en cas d'utilisation intense. Pour commander de nouveaux filtres à charbon, voir la section "Assistance ou service".

Le filtre à charbon retient les composés responsables des odeurs de cuisson désagréables.

## Installation des filtres à charbon

1. Éteindre le ventilateur et les lampes. Vérifier que la lampe à halogène est froide.
2. Ôter les filtres à graisse métalliques. Voir la section "Filtres à graisse métalliques".
3. Mettre les filtres à graisse métalliques de côté.
4. Placer le filtre à charbon dans l'ouverture. Appuyer vers l'arrière et vers le haut pour immobiliser le filtre.



5. Réinstaller les filtres à graisse métalliques. Voir la section "Filtres à graisse métalliques".

## Remplacement des filtres à charbon

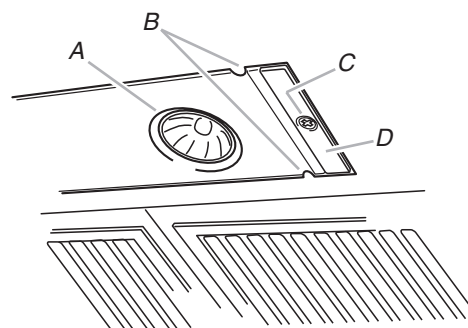
1. Éteindre le ventilateur et les lampes. Vérifier que la lampe à halogène est froide.
2. Ôter les filtres à graisse métalliques. Voir la section "Filtres à graisse métalliques".
3. Mettre les filtres à graisse métalliques de côté.
4. Jeter le filtre à charbon usagé.
5. Placer le filtre à charbon dans l'ouverture. Appuyer vers l'arrière et vers le haut pour immobiliser le filtre.
6. Réinstaller les filtres à graisse métalliques. Voir la section "Filtres à graisse métalliques".

## Remplacement d'une lampe à halogène

Interrompre l'alimentation de la hotte; attendre le refroidissement de la lampe à halogène. Pour éviter d'endommager ou de réduire la longévité de l'ampoule neuve, ne pas toucher l'ampoule avec les doigts nus. Remplacer l'ampoule en la tenant avec un mouchoir papier ou des gants de coton.

Si les nouvelles lampes ne fonctionnent pas, vérifier que chaque lampe est correctement insérée dans sa douille avant de demander l'intervention d'un réparateur.

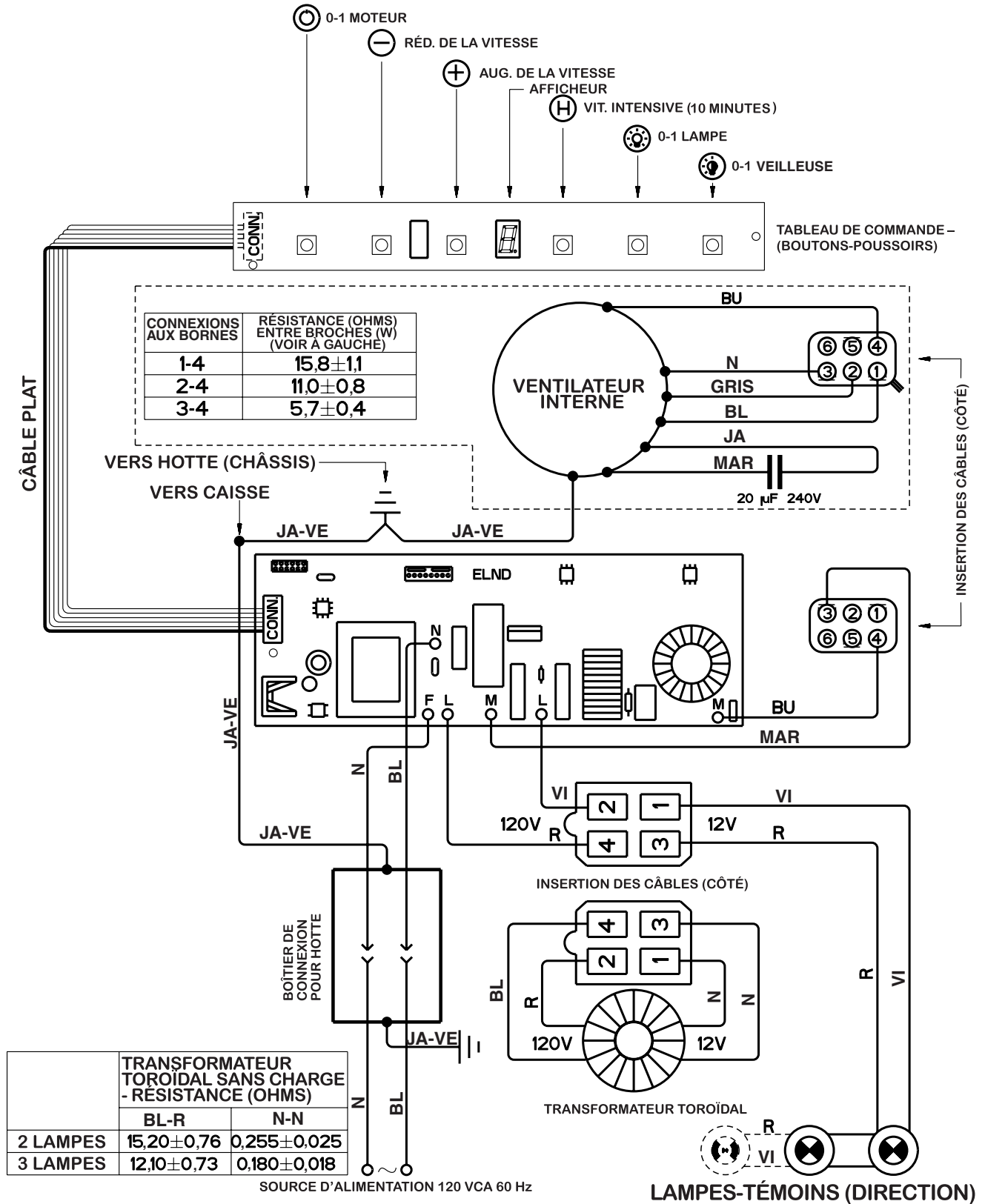
1. Déconnecter la source de courant électrique.
2. À l'aide d'un tournevis Phillips, ôter les attaches de fixation situées à chaque extrémité du panneau de lampe.
3. Faire glisser le panneau de la lampe complètement à droite. Baisser l'extrémité gauche du panneau sous les languettes de support.
4. Retirer le panneau en le faisant glisser à nouveau vers la gauche. Mettre le panneau de côté.



A. Lampe à halogène  
B. Languettes de support  
C. Vis  
D. Attache de fixation

5. Retirer doucement la lampe des agrafes de la douille.
6. Insérer une nouvelle lampe à halogène de 12 volts, 20 watts, dans la douille et l'enfoncer dans les agrafes.
7. Réinstaller le panneau de la lampe et les attaches de fixation. Bien serrer les vis.
8. Reconnecter la source de courant électrique.

# SCHÉMA DE CÂBLAGE



---

# ASSISTANCE OU SERVICE

Lors d'un appel pour assistance ou service, veuillez connaître la date d'achat, le numéro de modèle et le numéro de série au complet de l'appareil. Ces renseignements nous aideront à mieux répondre à votre demande.

## Si vous avez besoin de pièces de rechange

Si vous avez besoin de commander des pièces de rechange, nous vous recommandons d'employer uniquement des pièces spécifiées par l'usine. Les pièces spécifiées par l'usine conviendront et fonctionneront bien parce qu'elles sont fabriquées avec la même précision utilisée dans la fabrication de chaque nouvel appareil. Pour localiser des pièces spécifiées par l'usine dans votre région, nous appeler ou téléphoner au centre de service désigné le plus proche.

Veuillez appeler sans frais le Centre pour l'expérience de la clientèle de KitchenAid Canada au : **1-800-807-6777**.

## Nos consultants vous renseigneront sur les sujets suivants :

- Caractéristiques et spécifications sur toute notre gamme d'appareils électroménagers.
- Consignes d'utilisation et d'entretien.
- Vente d'accessoires et de pièces de rechange.
- Références aux marchands locaux, aux distributeurs de pièces de rechange et aux compagnies de service. Les techniciens de service désignés par KitchenAid Canada sont formés pour remplir la garantie des produits et fournir un service après la garantie, partout au Canada.

## Pour plus d'assistance

Si vous avez besoin de plus d'assistance, vous pouvez soumettre par écrit toute question ou préoccupation à KitchenAid Canada à l'adresse suivante :

Centre pour l'expérience de la clientèle  
KitchenAid Canada  
1901 Minnesota Court  
Mississauga, Ontario L5N 3A7

Veuillez inclure dans votre correspondance un numéro de téléphone où l'on peut vous joindre dans la journée.

---

## Accessoires

### Ensemble de filtre à charbon

(pour installations sans décharge à l'extérieur uniquement)

Commander la pièce n° 8285507

### Kit de cheminée pour recyclage

(pour installations sans décharge à l'extérieur uniquement)

Commander la pièce n° W10271501 en acier inoxydable

### Ensemble d'extension de cheminée

Commander la pièce n° W10271503 en acier inoxydable

# GARANTIE DU SYSTÈME DE VENTILATION KITCHENAID®

## GARANTIE LIMITÉE

Pendant un an à compter de la date d'achat, lorsque ce gros appareil ménager est utilisé et entretenu conformément aux instructions jointes à ou fournies avec le produit, la marque KitchenAid de Whirlpool Corporation ou Whirlpool Canada LP (ci-après désignées "KitchenAid") paiera pour les pièces spécifiées par l'usine et la main-d'œuvre pour corriger les vices de matériaux ou de fabrication. Le service doit être fourni par une compagnie de service désignée par KitchenAid. Cette garantie limitée est valide uniquement aux États-Unis ou au Canada et s'applique exclusivement lorsque l'appareil est utilisé dans le pays où il a été acheté. À l'extérieur du Canada et des 50 États des États-Unis, cette garantie limitée ne s'applique pas. Une preuve de la date d'achat original est exigée pour obtenir un service dans le cadre de la présente garantie limitée.

## ARTICLES EXCLUS DE LA GARANTIE

La présente garantie limitée ne couvre pas :

1. Les visites de service pour rectifier l'installation du gros appareil ménager, montrer à l'utilisateur comment utiliser l'appareil, remplacer ou réparer des fusibles ou rectifier le câblage ou la plomberie du domicile.
2. Les visites de service pour réparer ou remplacer les ampoules électriques de l'appareil, les filtres à air ou les filtres à eau. Les pièces consommables ne sont pas couvertes par la garantie.
3. Les réparations lorsque le gros appareil ménager est utilisé à des fins autres que l'usage unifamilial normal ou lorsque les instructions d'installation et/ou les instructions de l'opérateur ou de l'utilisateur fournies ne sont pas respectées.
4. Les dommages imputables à : accident, modification, usage impropre ou abusif, incendie, inondation, actes de Dieu, installation fautive ou installation non conforme aux codes d'électricité ou de plomberie, ou l'utilisation de pièces consommables ou de produits nettoyants non approuvés par KitchenAid.
5. Les défauts apparents, notamment les éraflures, les bosses, fissures ou tout autre dommage au fini du gros appareil ménager, à moins que ces dommages soient dus à des vices de matériaux ou de fabrication et soient signalés à KitchenAid dans les 30 jours suivant la date d'achat.
6. Les coûts associés au transport du gros appareil ménager du domicile pour réparation. Ce gros appareil ménager est conçu pour être réparé à domicile et seul le service à domicile est couvert par la présente garantie.
7. Les réparations aux pièces ou systèmes résultant d'une modification non autorisée faite à l'appareil.
8. Les frais de transport pour le service d'un produit si votre gros appareil est situé dans une région éloignée où un service d'entretien KitchenAid autorisé n'est pas disponible.
9. La dépose et la réinstallation de votre gros appareil si celui-ci est installé dans un endroit inaccessible ou n'est pas installé conformément aux instructions d'installation fournies.
10. Les gros appareils ménagers dont les numéros de série et de modèle originaux ont été enlevés, modifiés ou qui ne peuvent pas être facilement identifiés. La présente garantie est nulle si le numéro de série d'usine a été modifié ou enlevé du gros appareil ménager.

Le coût d'une réparation ou d'un remplacement dans le cadre de ces circonstances exclues est à la charge du client.

## CLAUSE D'EXONÉRATION DE RESPONSABILITÉ AU TITRE DES GARANTIES IMPLICITES; LIMITATION DES RECOURS

LE SEUL ET EXCLUSIF RECOURS DU CLIENT DANS LE CADRE DE LA PRÉSENTE GARANTIE LIMITÉE CONSISTE EN LA RÉPARATION PRÉVUE CI-DESSUS. LES GARANTIES IMPLICITES, Y COMPRIS LES GARANTIES APPLICABLES DE QUALITÉ MARCHANDE ET D'APTITUDE À UN USAGE PARTICULIER, SONT LIMITÉES À UN AN OU À LA PLUS COURTE PÉRIODE AUTORISÉE PAR LA LOI. KITCHENAID N'ASSUME AUCUNE RESPONSABILITÉ POUR LES DOMMAGES FORTUITS OU INDIRECTS. CERTAINES JURIDICTIONS NE PERMETTENT PAS L'EXCLUSION OU LA LIMITATION DES DOMMAGES FORTUITS OU INDIRECTS, OU LES LIMITATIONS DE LA DURÉE DES GARANTIES IMPLICITES DE QUALITÉ MARCHANDE OU D'APTITUDE À UN USAGE PARTICULIER, DE SORTE QUE CES EXCLUSIONS OU LIMITATIONS PEUVENT NE PAS S'APPLIQUER DANS VOTRE CAS. CETTE GARANTIE VOUS CONFÈRE DES DROITS JURIDIQUES SPÉCIFIQUES ET VOUS POUVEZ ÉGALEMENT JOUIR D'AUTRES DROITS QUI PEUVENT VARIER D'UNE JURIDICTION À UNE AUTRE.

Si vous résidez à l'extérieur du Canada et des 50 États des États-Unis, contactez votre marchand KitchenAid autorisé pour déterminer si une autre garantie s'applique.

Si vous avez besoin de service, voir d'abord la section "Dépannage" du Guide d'utilisation et d'entretien. Après avoir vérifié la section "Dépannage", de l'aide supplémentaire peut être trouvée en vérifiant la section "Assistance ou service" ou en appelant KitchenAid. Aux É.-U., composer le **1-800-422-1230**. Au Canada, composer le **1-800-807-6777**.

4/09

**Conservez ce manuel et votre reçu de vente ensemble pour référence ultérieure. Pour le service sous garantie, vous devez présenter un document prouvant la date d'achat ou d'installation.**

Inscrivez les renseignements suivants au sujet de votre gros appareil ménager pour mieux vous aider à obtenir assistance ou service en cas de besoin. Vous devrez connaître le numéro de modèle et le numéro de série au complet. Vous trouverez ces renseignements sur la plaque signalétique située sur le produit.

Nom du marchand \_\_\_\_\_

Adresse \_\_\_\_\_

Numéro de téléphone \_\_\_\_\_

Numéro de modèle \_\_\_\_\_

Numéro de série \_\_\_\_\_

Date d'achat \_\_\_\_\_

**W10268948C**

© 2009. All rights reserved.  
Tous droits réservés.

® Registered Trademark/TM Trademark of KitchenAid, U.S.A., KitchenAid Canada licensee in Canada  
© Marque déposée/TM Marque de commerce de KitchenAid, U.S.A., Emploi sous licence par KitchenAid Canada au Canada

6/09  
Printed in Italy  
Imprimé en Italie



## Free Manuals Download Website

<http://myh66.com>

<http://usermanuals.us>

<http://www.somanuals.com>

<http://www.4manuals.cc>

<http://www.manual-lib.com>

<http://www.404manual.com>

<http://www.luxmanual.com>

<http://aubethermostatmanual.com>

Golf course search by state

<http://golfingnear.com>

Email search by domain

<http://emailbydomain.com>

Auto manuals search

<http://auto.somanuals.com>

TV manuals search

<http://tv.somanuals.com>